



# **WESTFIELD**

## **PARTS MANUAL**

# **DRILL FILL, GRAVITY WAGON**

BOX 39, ROSENORT, MANITOBA, CANADA R0G 1W0  
PHONE: (866) 467-7207 (CANADA & USA)  
FAX: (866) 768-4852  
WEBSITE: [WWW.GRAINAUGERS.COM](http://WWW.GRAINAUGERS.COM)  
EMAIL: [SALES@GRAINAUGERS.COM](mailto:SALES@GRAINAUGERS.COM)



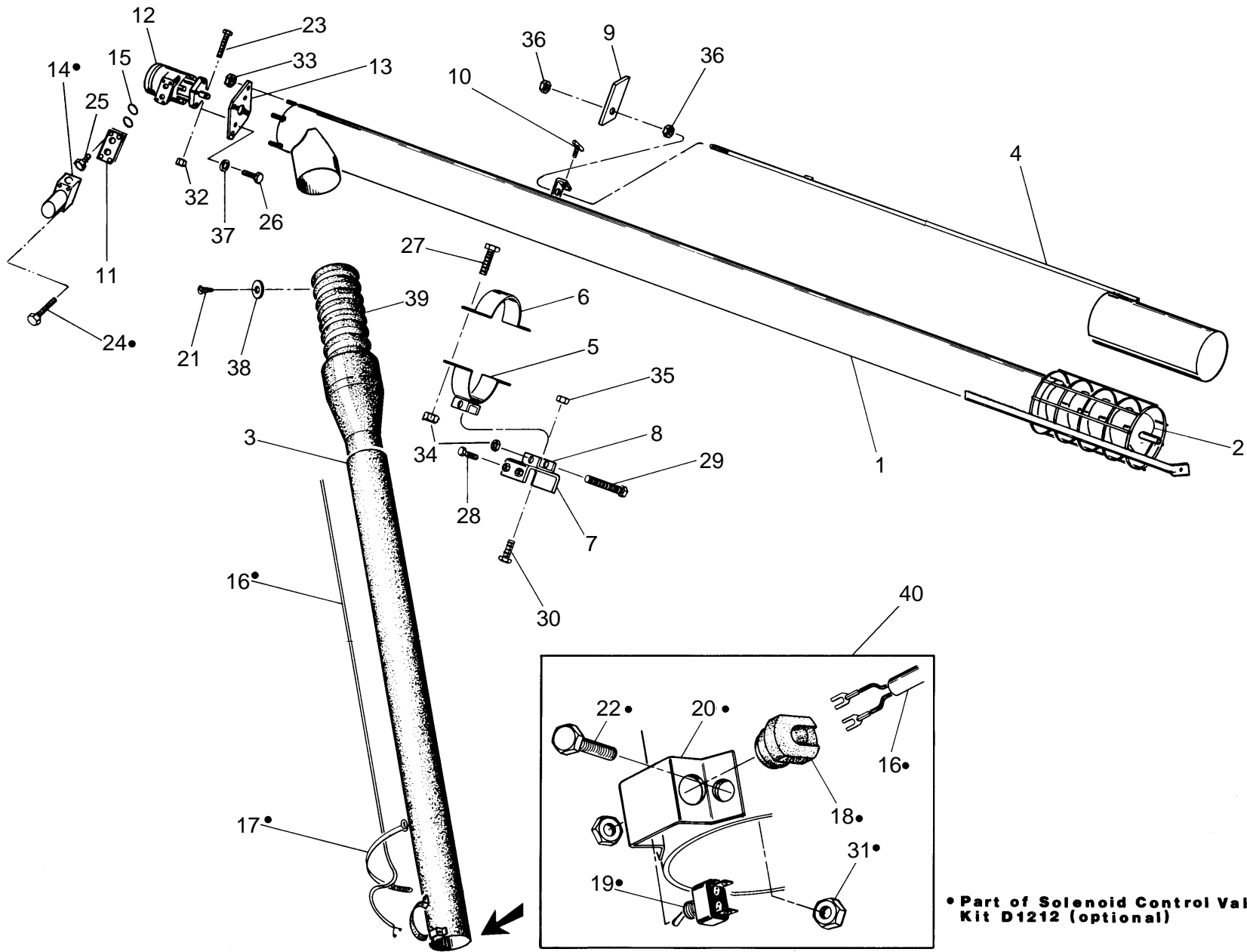
**REVISED: 14/07/2015**



# TABLE OF CONTENTS

<b>DESCRIPTION</b>	<b>PAGE</b>
SIDE MOUNT DRILL FILL, MODEL D1106	4
SIDE MOUNT DRILL FILL, MODEL D1606	6
SIDE MOUNT DRILL FILL, MODEL D2106	8
REAR MOUNT DRILL FILL & SPRING ASSIST, DF 614-3	10
GRAVITY WAGON AUGER, GWA 612, GWH 633	14
GRAVITY WAGON AUGER, GWA 612, GWH 644	18
GRAVITY WAGON AUGER, GWA 612, GWH 660	22
GRAVITY WAGON AUGER, GWA 615, GWH 633	26
GRAVITY WAGON AUGER, GWA 615, GWH 644	30
GRAVITY WAGON AUGER, GWA 615, GWH 660	34

# SIDE MOUNT DRILL FILL, MODEL D1106

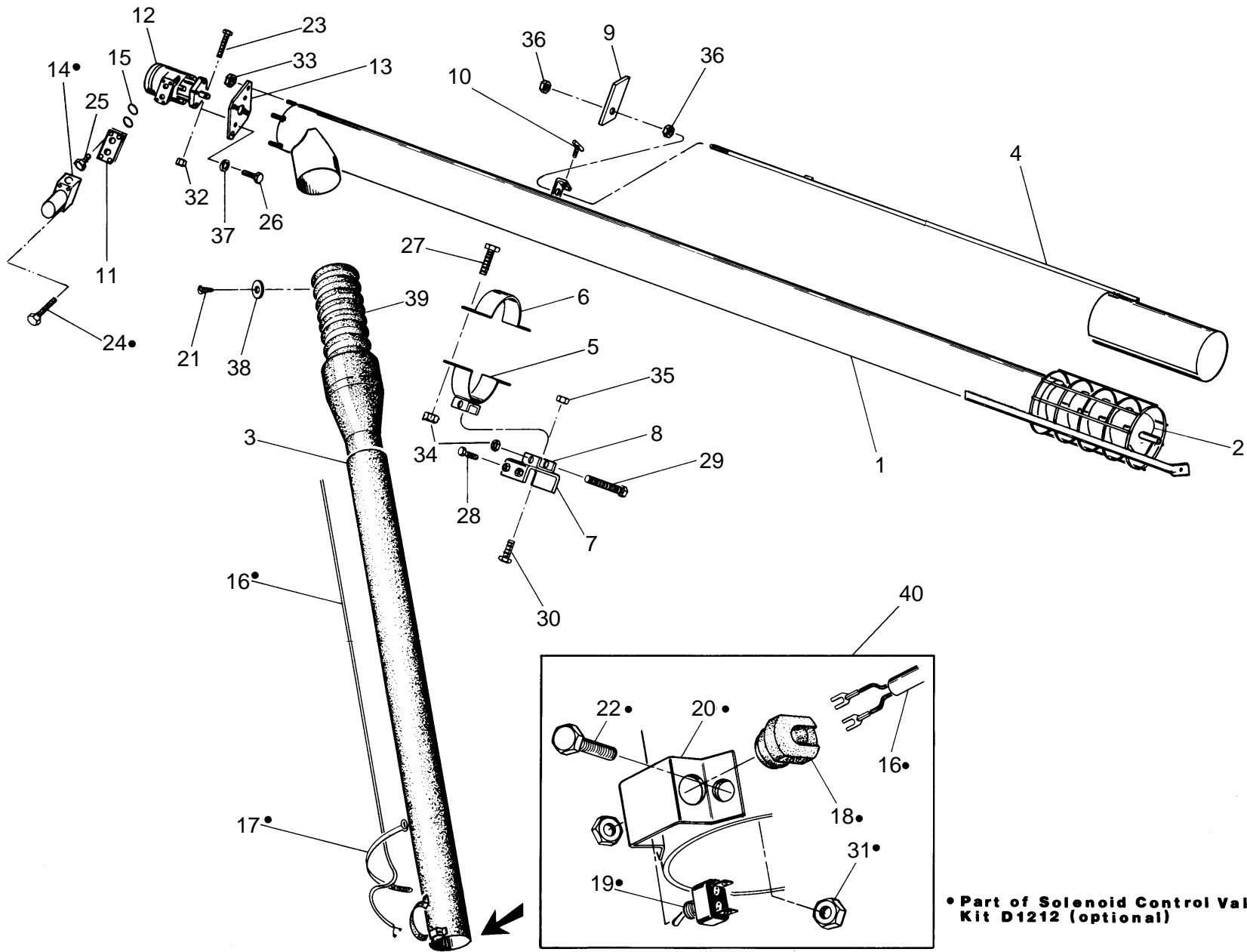


• Part of Solenoid Control Valve Kit D1212 (optional)

## SIDE MOUNT DRILL FILL, MODEL D1106

ITEM	PART NO.	DESCRIPTION
1	10-18260	11' Tube section
2	10-18263	11' Flighting
3	10-18134	2 Section spout w/flex hose
4	10-18343	Feed control
5	10-18344	Swivel clamp
6	10-18368	Tube half band
7	10-18345	Box clamp
8	10-18346	Swivel bracket
9	10-18347	Feed control handle
10	10-19838	T-bolt
11	10-18348	Adaptor block
12	10-18136	Hydraulic motor
13	10-18349	End plate
14	10-18137	Solenoid valve
15	10-18154	O-ring#112
16	10-18350	Electrical harness
17	10-18151	Tywrap
18	10-18150	Cord grommet
19	10-18148	Toggle switch
20	10-18149	Switch bracket
21	10-19952	self-tapping screw, #14 x 3/4"
22	10-19537	Bolt, 1/4" - 20 x 1/2", grade 5
23	10-19992	Bolt, 5/16" - 18 x 2", grade 8
24	10-19965	Bolt, 5/16" - 18 x 2-3/4", grade 2
25	10-18106	Bolt, 5/16" - 18 x 1-1/4", grade 2
26	10-19540	Bolt, 3/8" - 16 x 3/4", grade 2
27	10-19542	Bolt, 7/16" - 14 x 1", grade 5
28	10-19981	Bolt, 7/16" - 14 x 1-3/4", grade 5
29	10-19982	Bolt, 7/16" - 14 x 4", grade 5
30	10-19588	Bolt, 1/2" - 13 x 1-1/4", grade 5
31	10-19594	Washer locknut, 1/4" - 20
32	10-19595	Washer-locknut, 5/16" - 18
33	10-19596	Washer-locknut, 3/8" - 16
34	10-19598	Locknut, 7/16" - 14
35	10-19599	Locknut, 1/2" - 13
36	10-19602	Hex nut, 1/2" - 13
37	10-19604	Lockwasher, 3/8"
38	10-18152	Spout clamp
39	10-18153	6" Flex hose
40	10-17476	Switch & cord assembly
41	10-18351	D612 Carton, as packed
42	10-17128	D1106 Tube BDL

# SIDE MOUNT DRILL FILL, MODEL D1606

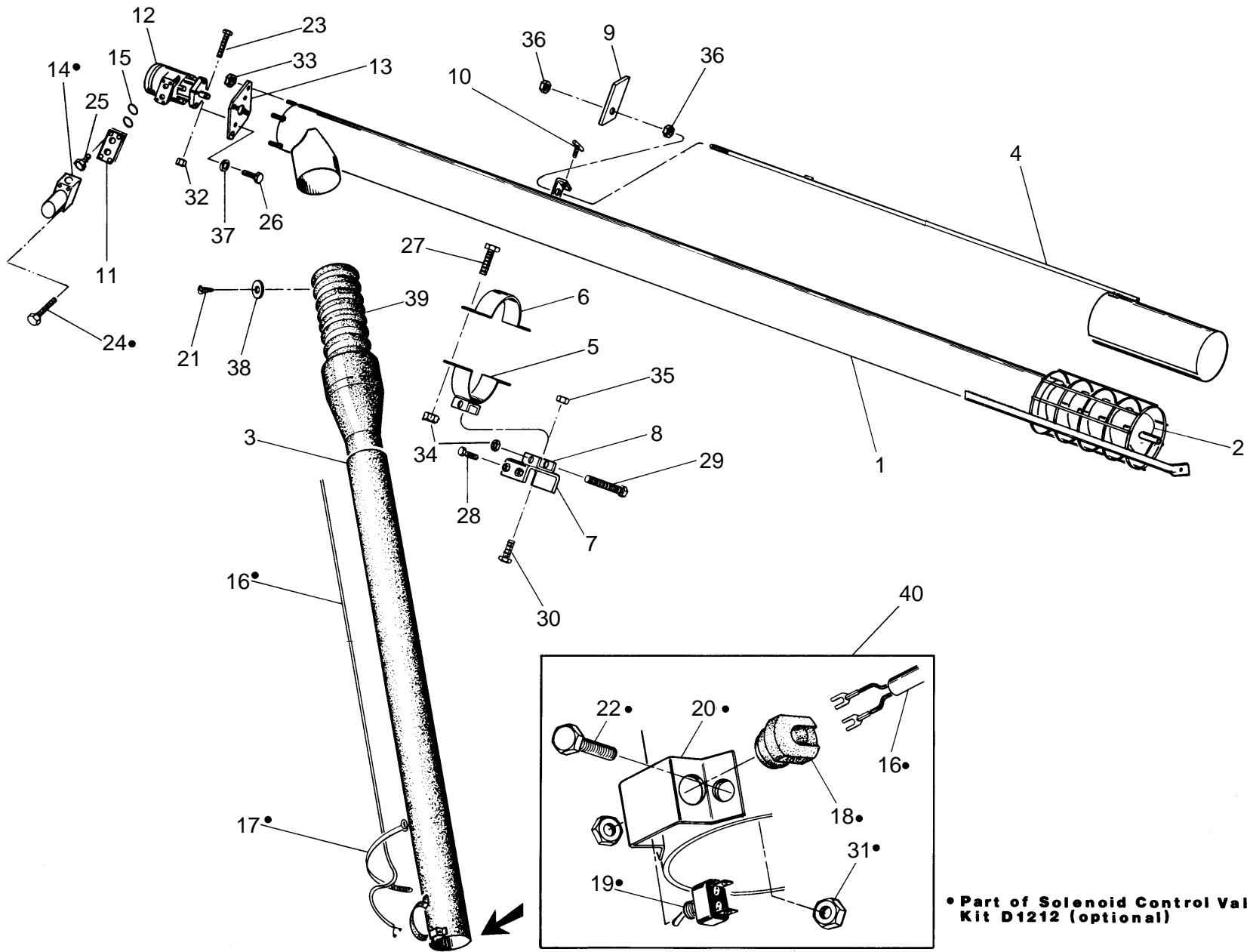


• Part of Solenoid Control Valve Kit D1212 (optional)

## SIDE MOUNT DRILL FILL, MODEL D1606

ITEM	PART NO.	DESCRIPTION
1	10-18261	16' Tube section
2	10-18264	16' Flighting
3	10-18134	2 Section spout w/flex hose
4	10-18343	Feed control
5	10-18344	Swivel clamp
6	10-18368	Tube half band
7	10-18345	Box clamp
8	10-18346	Swivel bracket
9	10-18347	Feed control handle
10	10-19838	T-bolt
11	10-18348	Adaptor block
12	10-18136	Hydraulic motor
13	10-18349	End plate
14	10-18137	Solenoid valve
15	10-18154	O-ring#112
16	10-18350	Electrical harness
17	10-18151	Tywrap
18	10-18150	Cord grommet
19	10-18148	Toggle switch
20	10-18149	Switch bracket
21	10-19952	self-tapping screw, #14 x 3/4"
22	10-19537	Bolt, 1/4" - 20 x 1/2", grade 5
23	10-19992	Bolt, 5/16" - 18 x 2", grade 8
24	10-19965	Bolt, 5/16" - 18 x 2-3/4", grade 2
25	10-18106	Bolt, 5/16" - 18 x 1-1/4", grade 2
26	10-19540	Bolt, 3/8" - 16 x 3/4", grade 2
27	10-19542	Bolt, 7/16" - 14 x 1", grade 5
28	10-19981	Bolt, 7/16" - 14 x 1-3/4", grade 5
29	10-19982	Bolt, 7/16" - 14 x 4", grade 5
30	10-19588	Bolt, 1/2" - 13 x 1-1/4", grade 5
31	10-19594	Washer locknut, 1/4" - 20
32	10-19595	Washer-locknut, 5/16" - 18
33	10-19596	Washer-locknut, 3/8" - 16
34	10-19598	Locknut, 7/16" - 14
35	10-19599	Locknut, 1/2" - 13
36	10-19602	Hex nut, 1/2" - 13
37	10-19604	Lockwasher, 3/8"
38	10-18152	Spout clamp
39	10-18153	6" Flex hose
40	10-17476	Switch & cord assembly
41	10-18351	D612 Carton, as packed
43	10-17129	D1606 Tube BDL

# SIDE MOUNT DRILL FILL, MODEL D2106



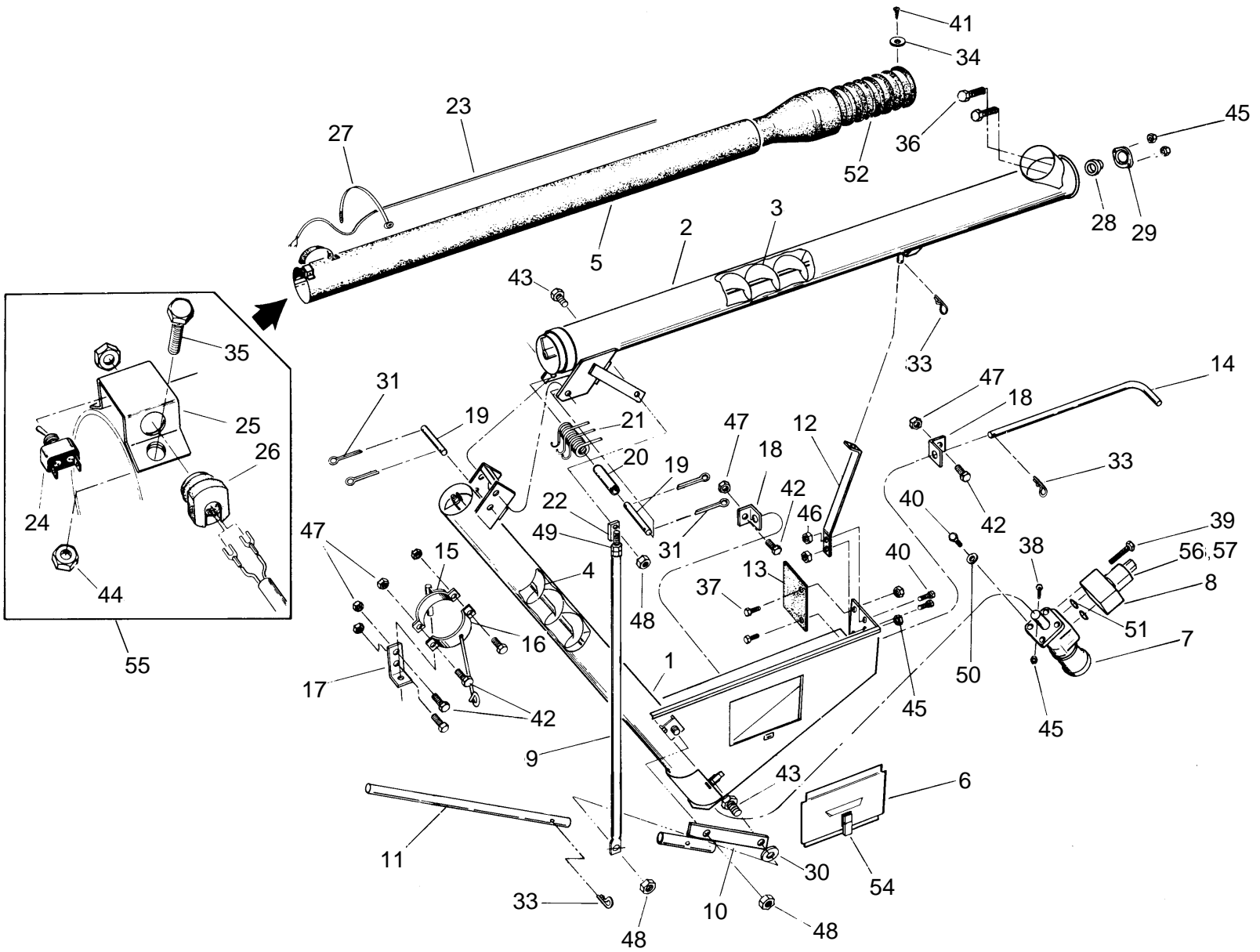
• Part of Solenoid Control Valve Kit D1212 (optional)



## SIDE MOUNT DRILL FILL, MODEL D2106

ITEM	PART NO.	DESCRIPTION
1	10-18262	21' Tube section
2	10-18265	21' Flighting
3	10-18134	2 Section spout w/flex hose
4	10-18343	Feed control
5	10-18344	Swivel clamp
6	10-18368	Tube half band
7	10-18345	Box clamp
8	10-18346	Swivel bracket
9	10-18347	Feed control handle
10	10-19838	T-bolt
11	10-18348	Adaptor block
12	10-18136	Hydraulic motor
13	10-18349	End plate
14	10-18137	Solenoid valve
15	10-18154	O-ring#112
16	10-18350	Electrical harness
17	10-18151	Tywrap
18	10-18150	Cord grommet
19	10-18148	Toggle switch
20	10-18149	Switch bracket
21	10-19952	self-tapping screw, #14 x 3/4"
22	10-19537	Bolt, 1/4" - 20 x 1/2", grade 5
23	10-19992	Bolt, 5/16" - 18 x 2", grade 8
24	10-19965	Bolt, 5/16" - 18 x 2-3/4", grade 2
25	10-18106	Bolt, 5/16" - 18 x 1-1/4", grade 2
26	10-19540	Bolt, 3/8" - 16 x 3/4", grade 2
27	10-19542	Bolt, 7/16" - 14 x 1", grade 5
28	10-19981	Bolt, 7/16" - 14 x 1-3/4", grade 5
29	10-19982	Bolt, 7/16" - 14 x 4", grade 5
30	10-19588	Bolt, 1/2" - 13 x 1-1/4", grade 5
31	10-19594	Washer locknut, 1/4" - 20
32	10-19595	Washer-locknut, 5/16" - 18
33	10-19596	Washer-locknut, 3/8" - 16
34	10-19598	Locknut, 7/16" - 14
35	10-19599	Locknut, 1/2" - 13
36	10-19602	Hex nut, 1/2" - 13
37	10-19604	Lockwasher, 3/8"
38	10-18152	Spout clamp
39	10-18153	6" Flex hose
40	10-17476	Switch & cord assembly
41	10-18351	D612 Carton, as packed
44	10-17130	D2103 Tube BDL

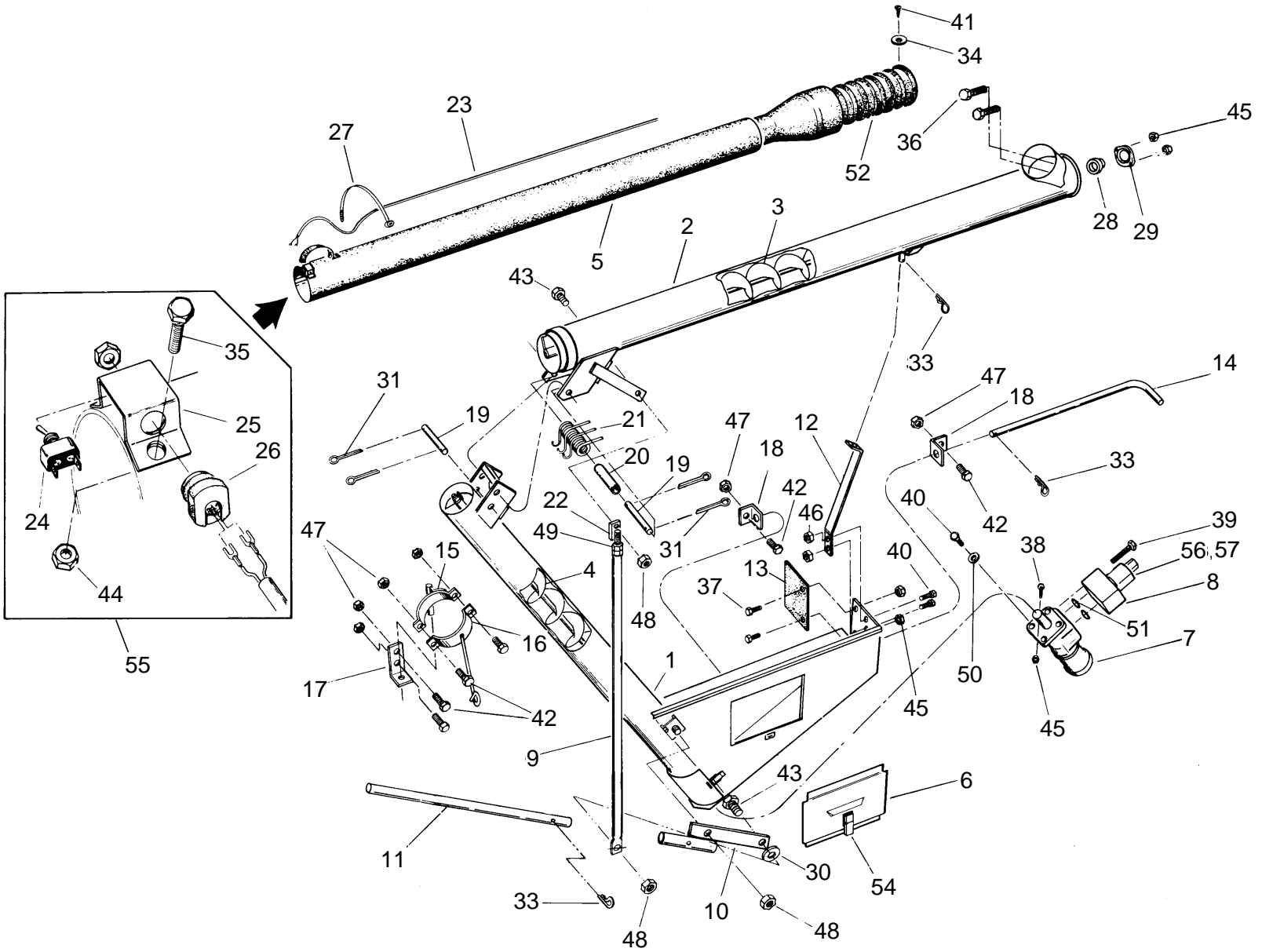
# REAR MOUNT DRILL FILL & SPRING ASSIST, DF 614-3



## REAR MOUNT DRILL FILL & SPRING ASSIST, DF 614-3

ITEM	PART NO.	DESCRIPTION
1	10-18680	Lower tube and hopper
2	10-18681	Upper tube
3	10-18367	Upper flighting
4	10-18133	Lower flighting
5	10-18134	2 Section spout w/flex hose
6	10-18135	Dump cover
7	10-18136	Hydraulic motor
8	10-18137	Solenoid valve
9	10-18682	Lift arm
10	10-18683	Lift arm bracket
11	10-18684	Handle
12	10-18159	Transport bracket
13	10-18142	Skirting
14	10-18160	Mount pin
15	10-18161	Mount clamp
16	10-18685	Tube half band w/hook
17	10-18162	Hanger bracket
18	10-18163	Mount bracket
19	10-18145	Pivot pin
20	10-18164	Sleeve
21	10-18165	Spring
22	10-18146	Adjust bolt
23	10-18147	Electrical harness
24	10-18148	Toggle switch
25	10-18149	Switch bracket
26	10-18150	Cord Grommet
27	10-18151	Tywrap
28	10-18817	1" Bearing and lock collar, w/o 2 bolt flange
29	10-18694	1" Bearing flange, single
30	10-19966	Washer, 5/8"
31	10-18155	Cotter pin, 3/16" x 1-1/4"
33	10-19463	Hitch pin #10
34	10-18152	Spout clamp
35	10-19537	Bolt, 1/4" - 20 x 1/2", grade 5
36	10-19538	Bolt, 5/16" - 18 x 3/4", grade 2
37	10-18091	Bolt, 5/16" - 18 x 1", grade 2
38	10-19539	Bolt, 5/16" - 18 x 2", grade 2
39	10-19965	Bolt, 5/16" - 18 x 2-3/4", grade 2
40	10-19540	Bolt, 3/8" - 16 x 3/4", grade 2
41	10-19274	self-tapping screw, # 14 x 3/4"
42	10-19542	Bolt, 7/16" - 14 x 1", grade 5
43	10-19590	Bolt, 5/8" - 11 x 1-1/2", grade 5
44	10-19594	Washer locknut, 1/4" - 20
45	10-19595	Washer locknut, 5/16" - 18
46	10-19596	Washer locknut, 3/8" - 16
47	10-19598	Locknut, 7/16" - 14
48	10-19600	Locknut, 5/8" - 11
49	10-19864	Hex nut, 5/8" - 11
50	10-19604	Lockwasher, 3/8"
51	10-18154	O-ring#112

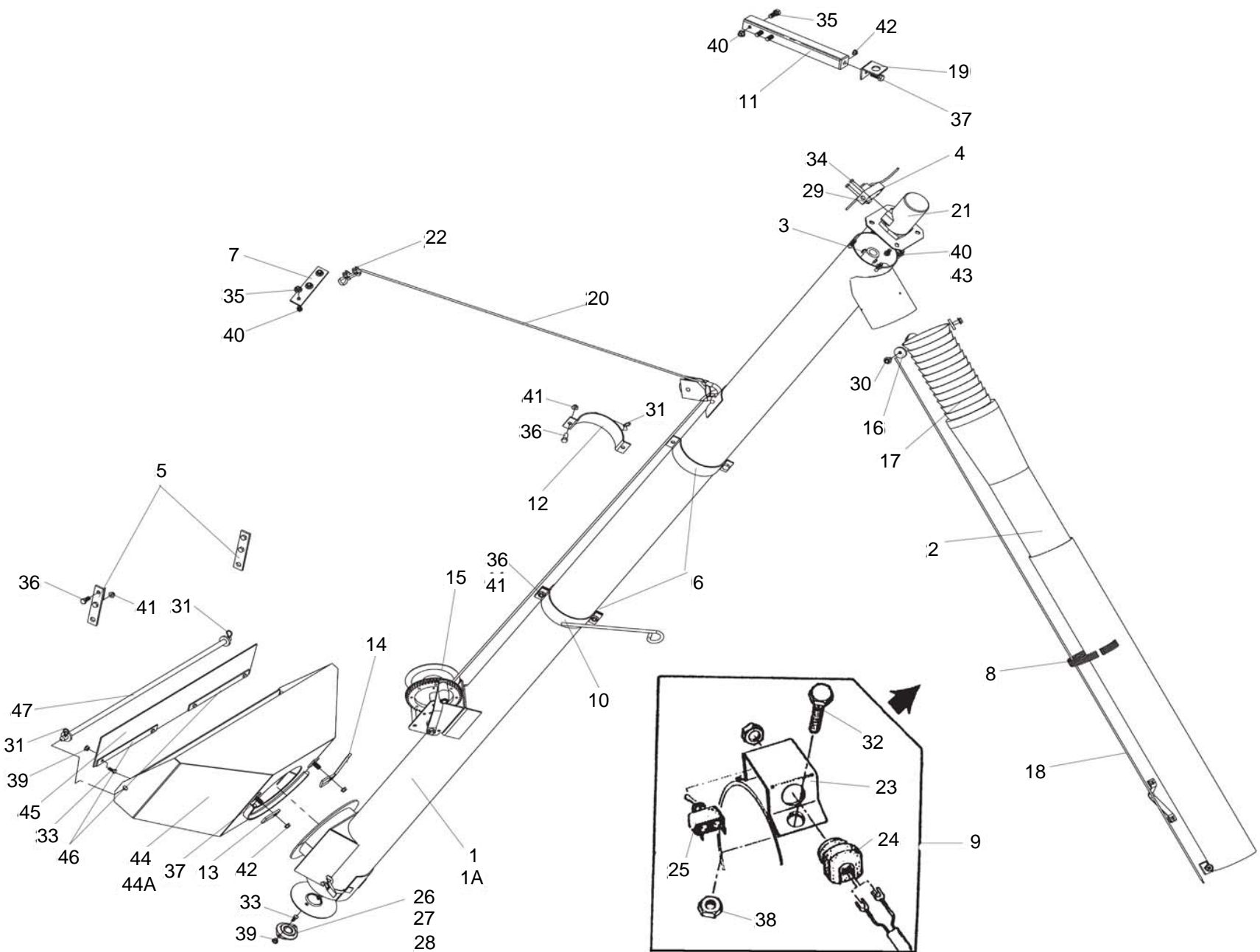
REAR MOUNT DRILL FILL & SPRING ASSIST, DF 614-3



## REAR MOUNT DRILL FILL & SPRING ASSIST, DF 614-3

ITEM	PART NO.	DESCRIPTION
52	10-18153	6" Flex hose
54	10-18168	Toggle latch
55	10-17475	Switch & cord assembly
56	10-17578	Solenoid plunger only
57	10-17343	solenoid coil only
58	10-18656	DF614-3 carton
59	10-28528	DF lift arm bundle (Item #9, #11 & #14)

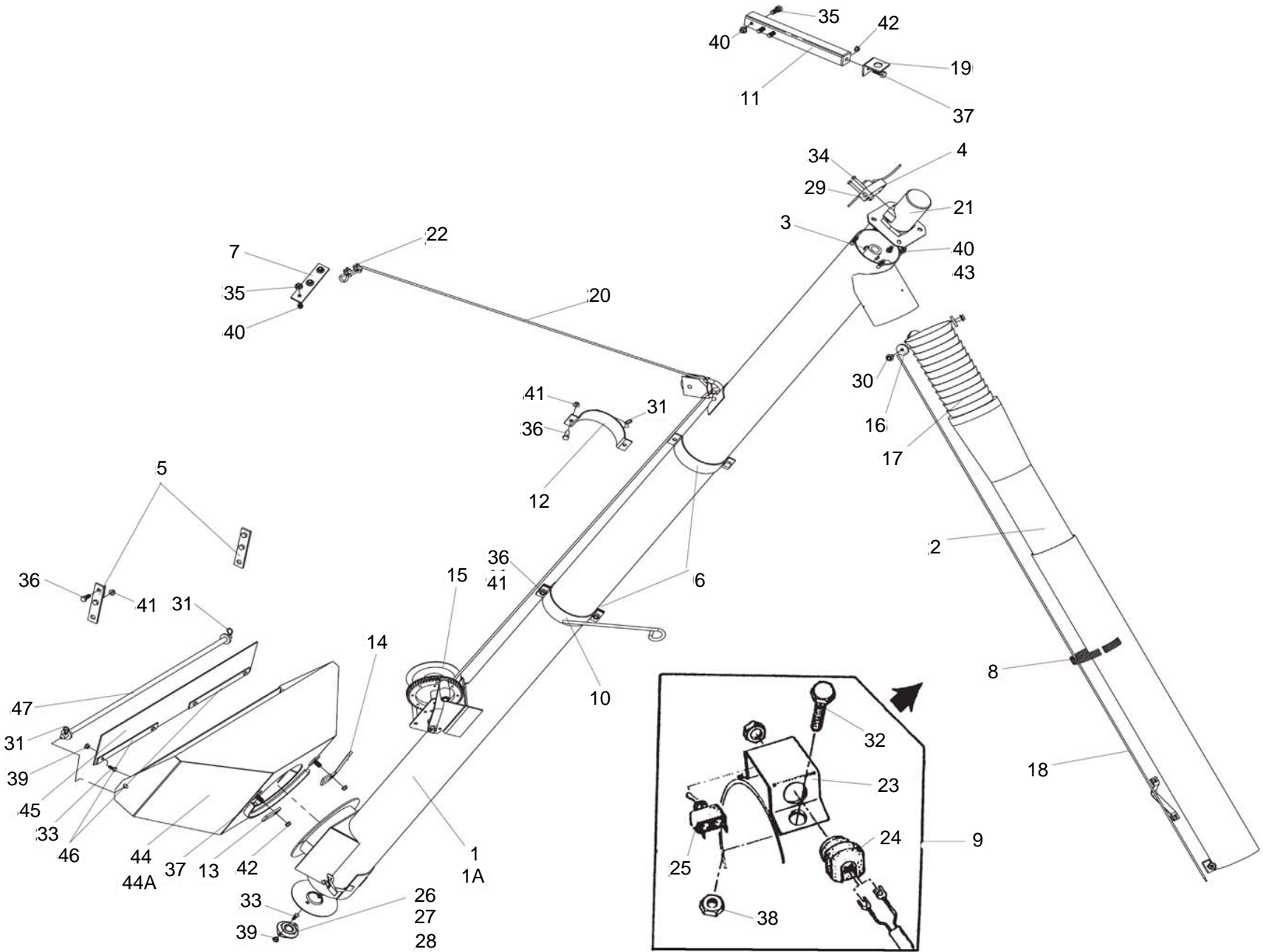
# GRAVITY WAGON AUGER, GWA 612, GWH 633



# GRAVITY WAGON AUGER, GWA 612, GWH 633

ITEM	PART NO.	DESCRIPTION
1	10-27082	GWA Tube bundle, as shipped
1A	10-27097	GWA Tube only
2	10-18134	2 Section spout w/flex hose
3	10-27098	Flighting
4	10-18137	Solenoid valve
5	10-27087	Transfer Hopper mounting bar
6	10-19022	Tube half band, 6"
7	10-27089	Cable anchor plate
8	10-18151	Tywrap
9	10-17475	Switch and cord assembly
10	10-18685	Tube half band, w/hook
11	10-27083	Transport bracket
12	10-27084	Transport half clamp
13	10-27147	Auger support clip
14	10-27148	Auger support locking bar
15	10-19151	Winch, 4:1 ratio
16	10-18152	Spout clamp
17	10-18153	6" Flex hose
18	10-18147	Electrical harness
19	10-27095	Pivoting arm, transport bracket
20	10-19246	1/4" Cable, 24" long
21	10-18136	Motor, hydraulic, 4.5 cu in.
22	10-19147	1/4" cable clamp
23	10-18149	Switch bracket
24	10-18150	Cord grommet
25	10-18148	Toggle switch
26	10-19321	1" Flangette bearing
27	10-18817	1" Bearing, less flange & lock collar
28	10-18694	1" bearing flange, single
29	10-18154	O-ring #112
30	10-19274	Self-tapping screw, #14 x 3/4"
31	10-19463	Hair clip
32	10-19537	Bolt, 1/4" - 20 x 1/2", grade 5
33	10-19538	Bolt, 5/16" - 18 x 3/4", grade 2
34	10-19965	Bolt, 5/16" - 18 x 2-3/4", grade 2
35	10-19540	Bolt, 3/8" - 16 x 3/4", grade 2
36	10-19542	Bolt, 7/16" - 14 x 1", grade 5
37	10-19588	Bolt, 1/2" - 13 x 1-1/4", grade 5
38	10-19594	Washer locknut, 1/4" - 20
39	10-19595	Washer locknut, 5/16" - 18
40	10-17402	Locknut, 3/8" - 16
41	10-19598	Locknut, 7/16" - 14
42	10-19599	Hex nut, 1/2" - 13
43	10-19604	Lockwasher, 3/8"
44	10-27081	GWA hopper, as shipped
44A	10-27093	Intake hopper only
45	10-27086	Hopper belting
46	10-18054	Attach strap, 13"
47	10-27088	Hopper mounting rod
48	10-27091	GWA Carton

**GRAVITY WAGON AUGER, GWA 612, GWH 633**

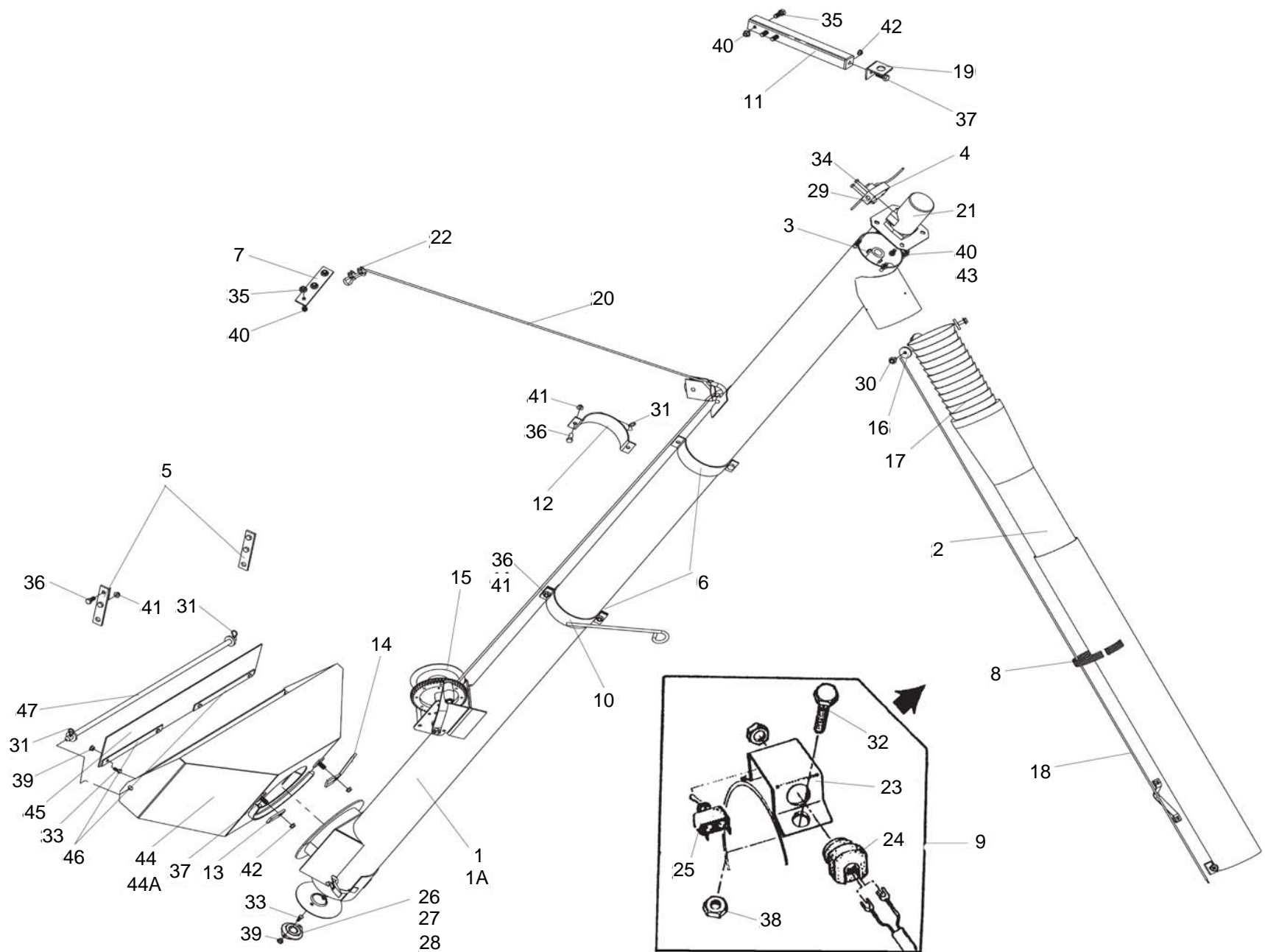




# GRAVITY WAGON AUGER, GWA 612, GWH 633

ITEM	PART NO.	DESCRIPTION
49	10-27061	Decal package

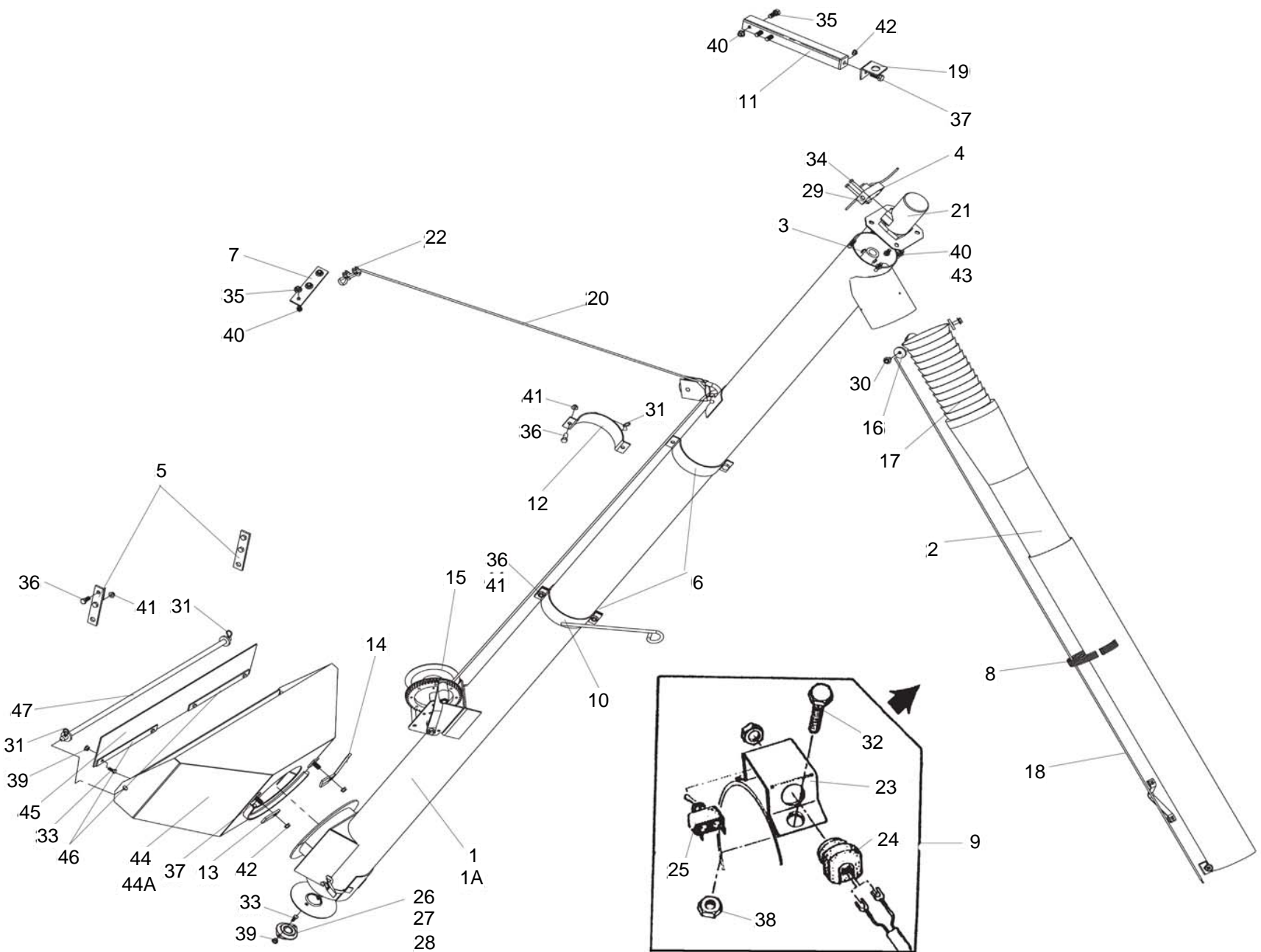
# GRAVITY WAGON AUGER, GWA 612, GWH 644



# GRAVITY WAGON AUGER, GWA 612, GWH 644

ITEM	PART NO.	DESCRIPTION
1	10-27082	GWA Tube bundle, as shipped
1A	10-27097	GWA Tube only
2	10-18134	2 Section spout w/flex hose
3	10-27098	Flighting
4	10-18137	Solenoid valve
5	10-27087	Transfer Hopper mounting bar
6	10-19022	Tube half band, 6"
7	10-27089	Cable anchor plate
8	10-18151	Tywrap
9	10-17475	Switch and cord assembly
10	10-18685	Tube half band, w/hook
11	10-27083	Transport bracket
12	10-27084	Transport half clamp
13	10-27147	Auger support clip
14	10-27148	Auger support locking bar
15	10-19151	Winch, 4:1 ratio
16	10-18152	Spout clamp
17	10-18153	6" Flex hose
18	10-18147	Electrical harness
19	10-27095	Pivoting arm, transport bracket
20	10-19246	1/4" Cable, 24" long
21	10-18136	Motor, hydraulic, 4.5 cu in.
22	10-19147	1/4" cable clamp
23	10-18149	Switch bracket
24	10-18150	Cord grommet
25	10-18148	Toggle switch
26	10-19321	1" Flangette bearing
27	10-18817	1" Bearing, less flange & lock collar
28	10-18694	1" bearing flange, single
29	10-18154	O-ring #112
30	10-19274	Self-tapping screw, #14 x 3/4"
31	10-19463	Hair clip
32	10-19537	Bolt, 1/4" - 20 x 1/2", grade 5
33	10-19538	Bolt, 5/16" - 18 x 3/4", grade 2
34	10-19965	Bolt, 5/16" - 18 x 2-3/4", grade 2
35	10-19540	Bolt, 3/8" - 16 x 3/4", grade 2
36	10-19542	Bolt, 7/16" - 14 x 1", grade 5
37	10-19588	Bolt, 1/2" - 13 x 1-1/4", grade 5
38	10-19594	Washer locknut, 1/4" - 20
39	10-19595	Washer locknut, 5/16" - 18
40	10-17402	Locknut, 3/8" - 16
41	10-19598	Locknut, 7/16" - 14
42	10-19599	Hex nut, 1/2" - 13
43	10-19604	Lockwasher, 3/8"
44	10-27090	GWA hopper, as shipped
44A	10-27094	Intake hopper only
45	10-27218	Hopper belting
46	10-18054	Attach strap, 13"
47	10-27096	Hopper mounting rod
48	10-27091	GWA Carton

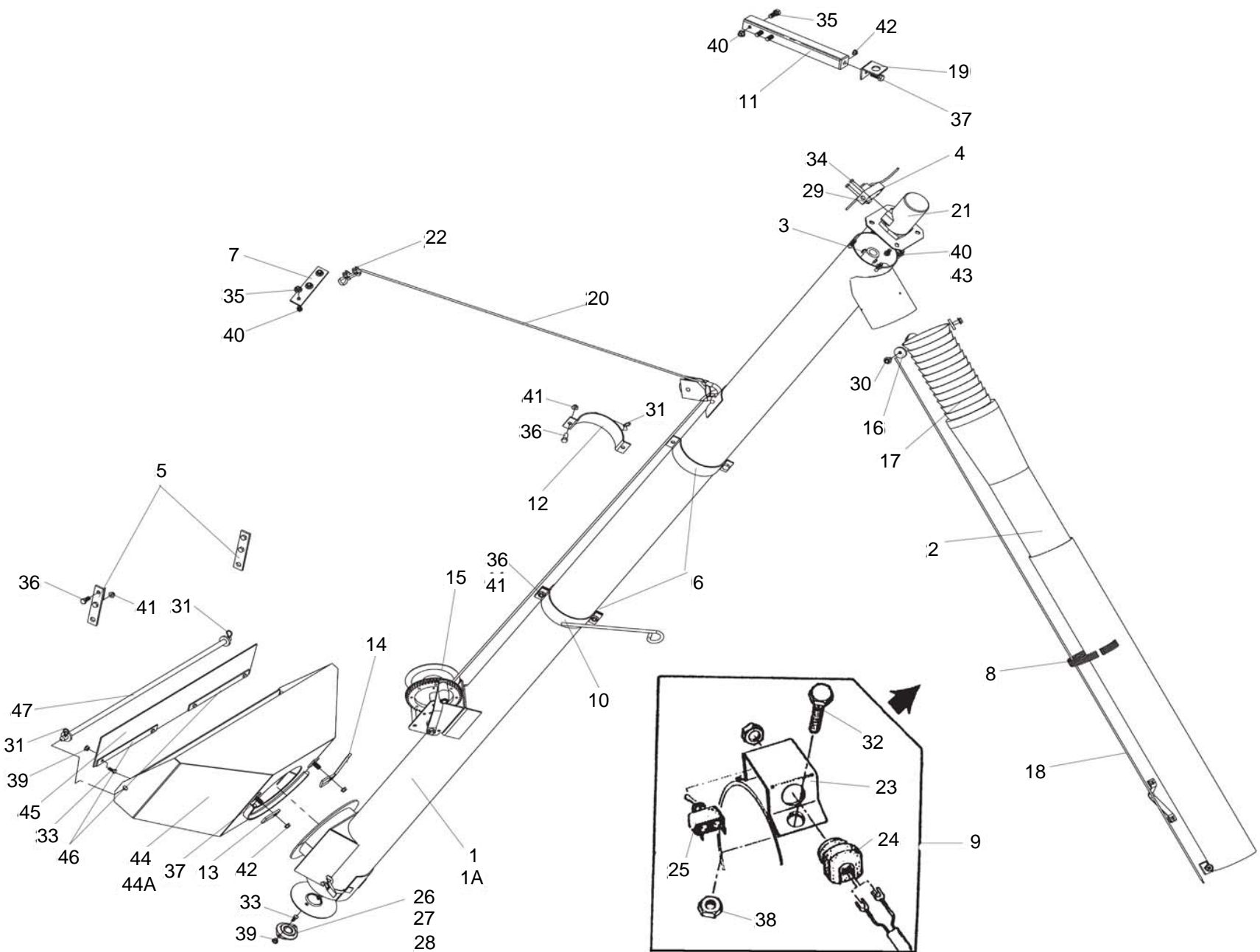
# GRAVITY WAGON AUGER, GWA 612, GWH 644



# GRAVITY WAGON AUGER, GWA 612, GWH 644

ITEM	PART NO.	DESCRIPTION
49	10-27061	Decal package

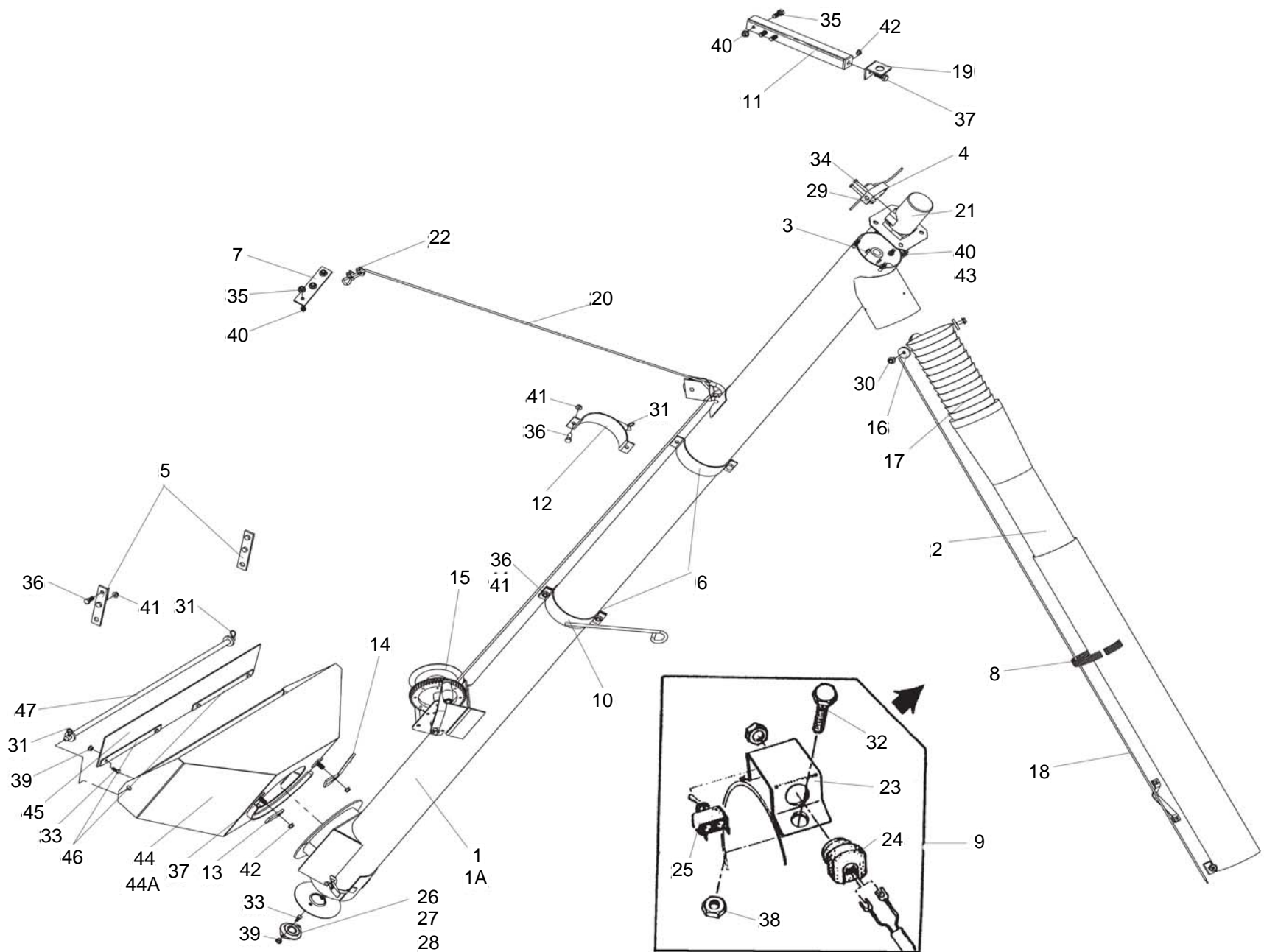
# GRAVITY WAGON AUGER, GWA 612, GWH 660



# GRAVITY WAGON AUGER, GWA 612, GWH 660

ITEM	PART NO.	DESCRIPTION
1	10-27082	GWA Tube bundle, as shipped
1A	10-27097	GWA Tube only
2	10-18134	2 Section spout w/flex hose
3	10-27098	Flighting
4	10-18137	Solenoid valve
5	10-27087	Transfer Hopper mounting bar
6	10-19022	Tube half band, 6"
7	10-27089	Cable anchor plate
8	10-18151	Tywrap
9	10-17475	Switch and cord assembly
10	10-18685	Tube half band, w/hook
11	10-27083	Transport bracket
12	10-27084	Transport half clamp
13	10-27147	Auger support clip
14	10-27148	Auger support locking bar
15	10-19151	Winch, 4:1 ratio
16	10-18152	Spout clamp
17	10-18153	6" Flex hose
18	10-18147	Electrical harness
19	10-27095	Pivoting arm, transport bracket
20	10-19246	1/4" Cable, 24" long
21	10-18136	Motor, hydraulic, 4.5 cu in.
22	10-19147	1/4" cable clamp
23	10-18149	Switch bracket
24	10-18150	Cord grommet
25	10-18148	Toggle switch
26	10-19321	1" Flangette bearing
27	10-18817	1" Bearing, less flange & lock collar
28	10-18694	1" bearing flange, single
29	10-18154	O-ring #112
30	10-19274	Self-tapping screw, #14 x 3/4"
31	10-19463	Hair clip
32	10-19537	Bolt, 1/4" - 20 x 1/2", grade 5
33	10-19538	Bolt, 5/16" - 18 x 3/4", grade 2
34	10-19965	Bolt, 5/16" - 18 x 2-3/4", grade 2
35	10-19540	Bolt, 3/8" - 16 x 3/4", grade 2
36	10-19542	Bolt, 7/16" - 14 x 1", grade 5
37	10-19588	Bolt, 1/2" - 13 x 1-1/4", grade 5
38	10-19594	Washer locknut, 1/4" - 20
39	10-19595	Washer locknut, 5/16" - 18
40	10-17402	Locknut, 3/8" - 16
41	10-19598	Locknut, 7/16" - 14
42	10-19599	Hex nut, 1/2" - 13
43	10-19604	Lockwasher, 3/8"
44A	10-27554	Intake hopper only
44	10-27555	GWA hopper, as shipped
45	10-27557	Hopper belting
46	10-18054	Attach strap, 13"
47	10-27556	Hopper mounting rod
48	10-27091	GWA Carton

# GRAVITY WAGON AUGER, GWA 612, GWH 660

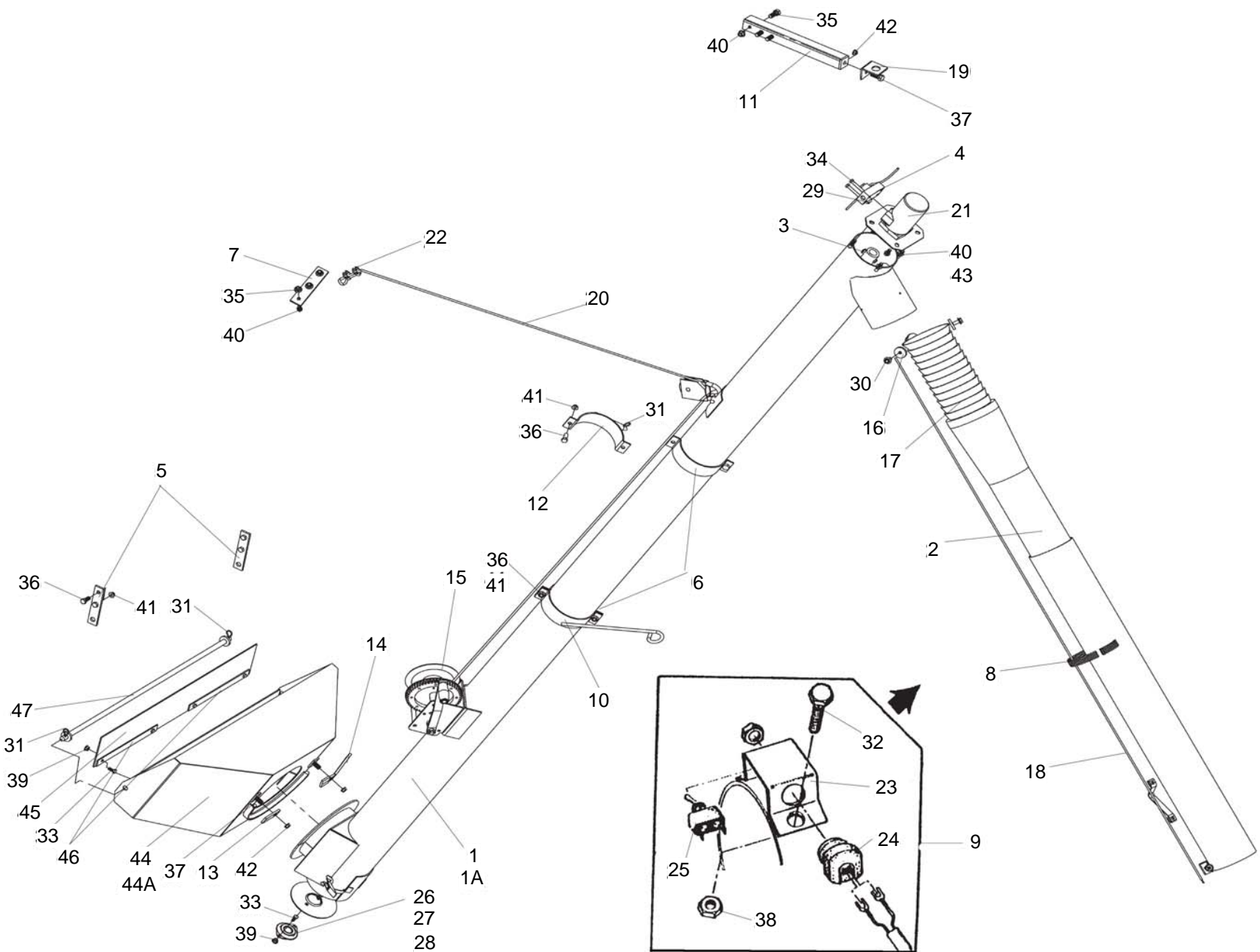




# GRAVITY WAGON AUGER, GWA 612, GWH 660

ITEM	PART NO.	DESCRIPTION
49	10-27061	Decal package

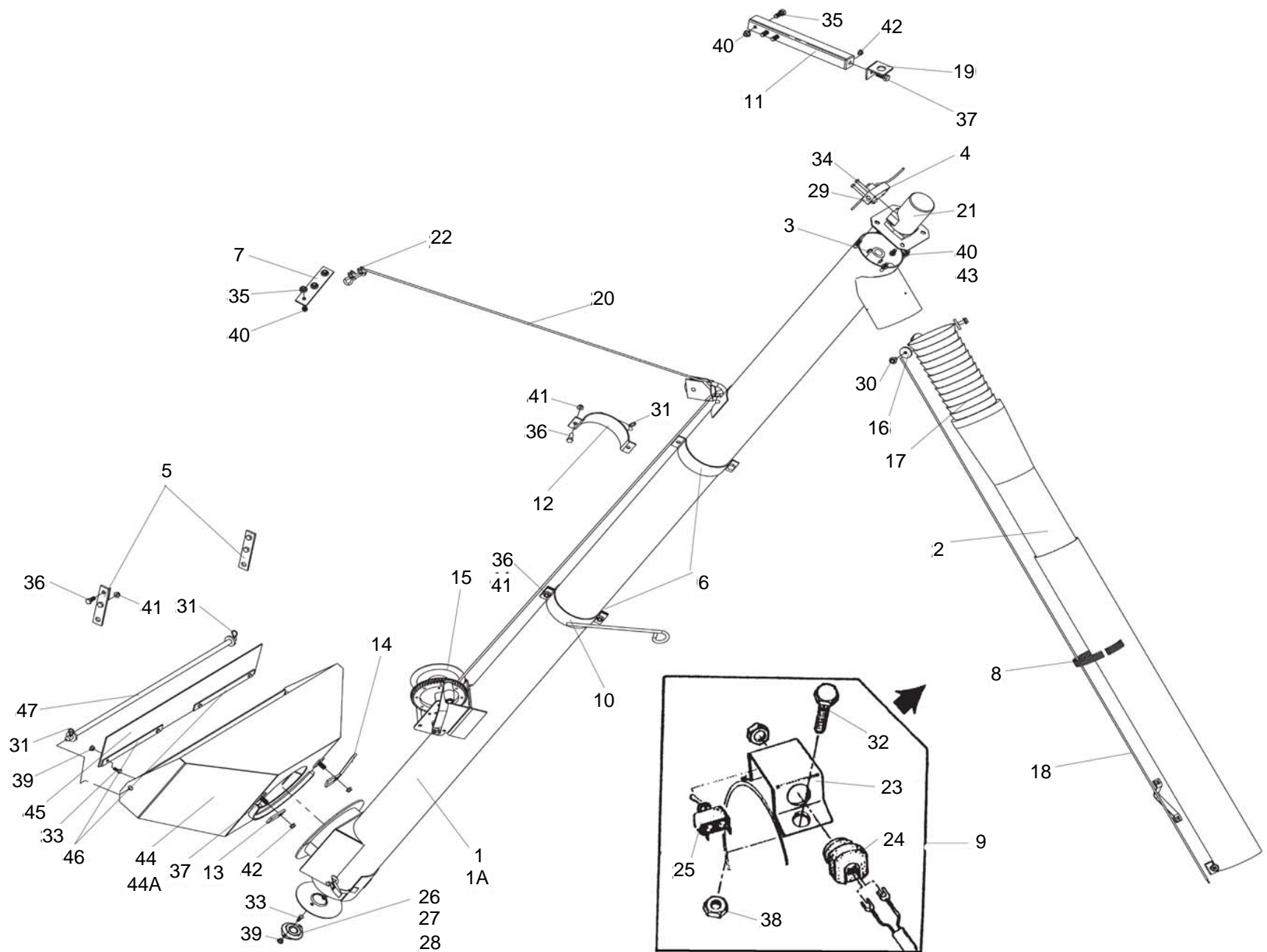
**GRAVITY WAGON AUGER, GWA 615, GWH 633**



## GRAVITY WAGON AUGER, GWA 615, GWH 633

ITEM	PART NO.	DESCRIPTION
1	10-27085	GWA Tube bundle, as shipped
1A	10-27133	GWA Tube only
2	10-18134	2 Section spout w/flex hose
3	10-27134	Flighting
4	10-18137	Solenoid valve
5	10-27087	Transfer Hopper mounting bar
6	10-19022	Tube half band, 6"
7	10-27089	Cable anchor plate
8	10-18151	Tywrap
9	10-17475	Switch and cord assembly
10	10-18685	Tube half band, w/hook
11	10-27083	Transport bracket
12	10-27084	Transport half clamp
13	10-27147	Auger support clip
14	10-27148	Auger support locking bar
15	10-19151	Winch, 4:1 ratio
16	10-18152	Spout clamp
17	10-18153	6" Flex hose
18	10-18147	Electrical harness
19	10-27095	Pivoting arm, transport bracket
20	10-19246	1/4" Cable, 24" long
21	10-18136	Motor, hydraulic, 4.5 cu in.
22	10-19147	1/4" cable clamp
23	10-18149	Switch bracket
24	10-18150	Cord grommet
25	10-18148	Toggle switch
26	10-19321	1" Flangette bearing
27	10-18817	1" Bearing, less flange & lock collar
28	10-18694	1" bearing flange, single
29	10-18154	O-ring #112
30	10-19274	Self-tapping screw, #14 x 3/4"
31	10-19463	Hair clip
32	10-19537	Bolt, 1/4" - 20 x 1/2", grade 5
33	10-19538	Bolt, 5/16" - 18 x 3/4", grade 2
34	10-19965	Bolt, 5/16" - 18 x 2-3/4", grade 2
35	10-19540	Bolt, 3/8" - 16 x 3/4", grade 2
36	10-19542	Bolt, 7/16" - 14 x 1", grade 5
37	10-19588	Bolt, 1/2" - 13 x 1-1/4", grade 5
38	10-19594	Washer locknut, 1/4" - 20
39	10-19595	Washer locknut, 5/16" - 18
40	10-17402	Locknut, 3/8" - 16
41	10-19598	Locknut, 7/16" - 14
42	10-19599	Hex nut, 1/2" - 13
43	10-19604	Lockwasher, 3/8"
44	10-27081	GWA hopper, as shipped
44A	10-27093	Intake hopper only
45	10-27086	Hopper belting
46	10-18054	Attach strap, 13"
47	10-27088	Hopper mounting rod
48	10-27091	GWA Carton

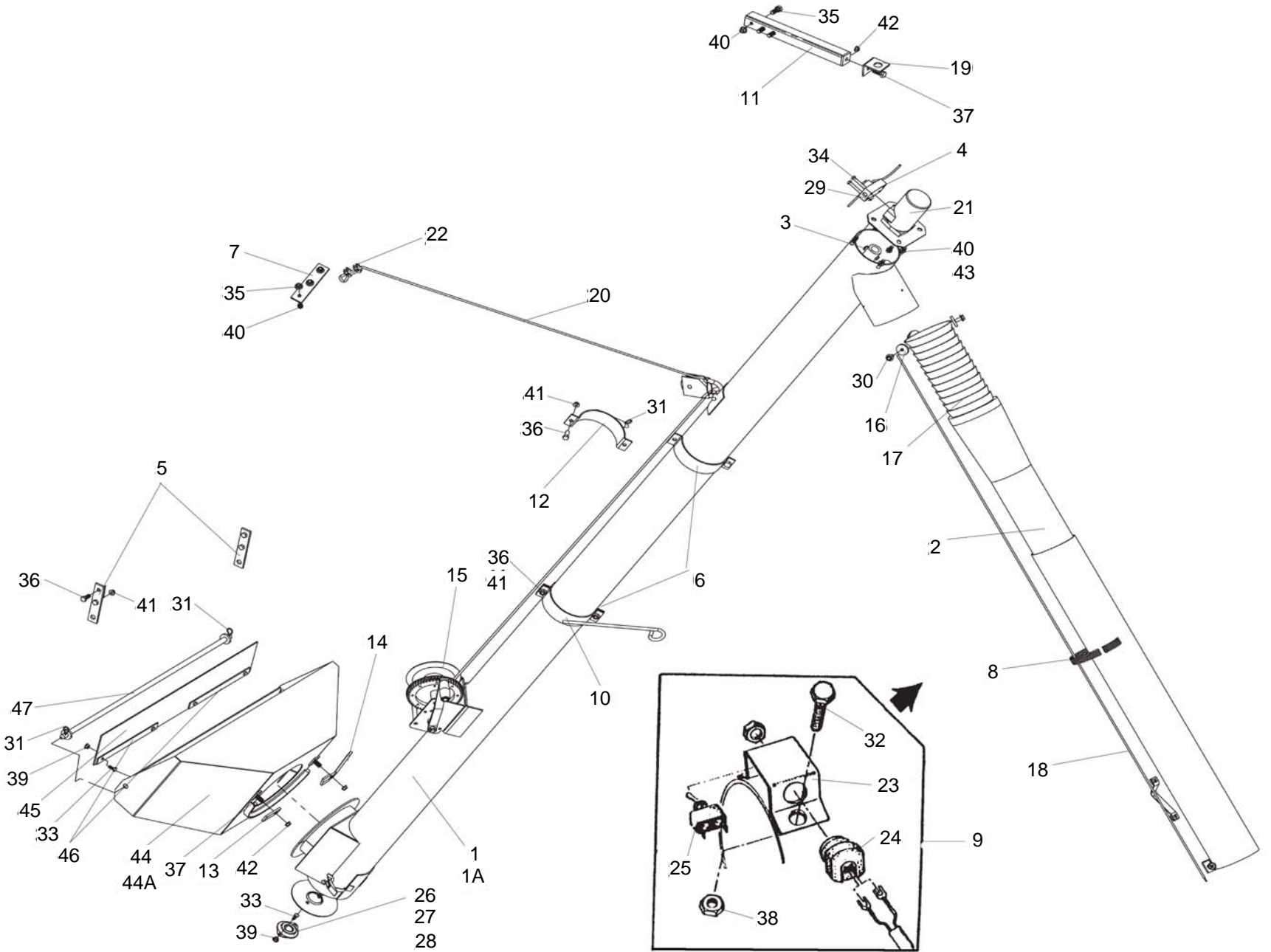
**GRAVITY WAGON AUGER, GWA 615, GWH 633**



# GRAVITY WAGON AUGER, GWA 615, GWH 633

ITEM	PART NO.	DESCRIPTION
49	10-27061	Decal package

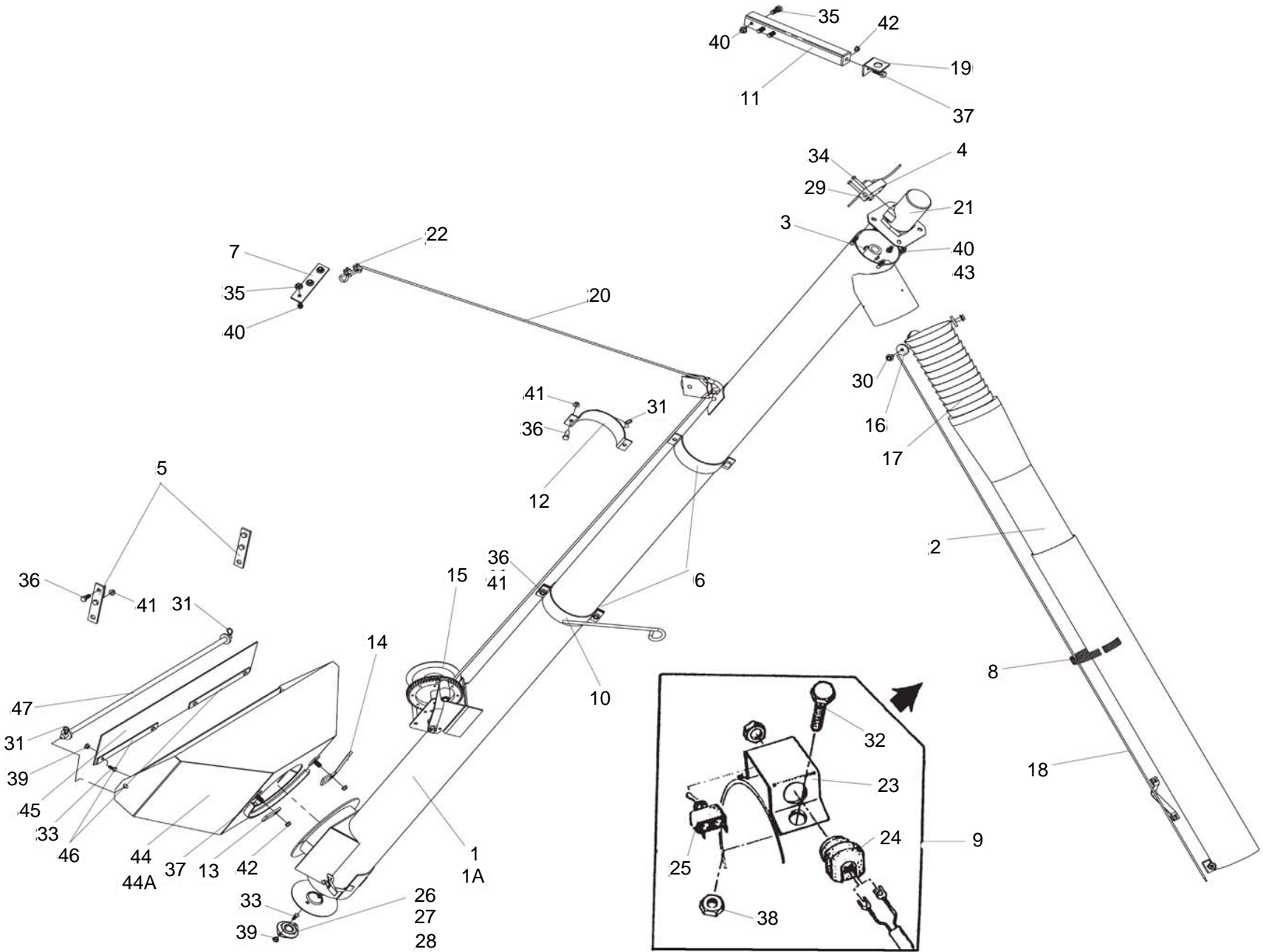
# GRAVITY WAGON AUGER, GWA 615, GWH 644



# GRAVITY WAGON AUGER, GWA 615, GWH 644

ITEM	PART NO.	DESCRIPTION
1	10-27085	GWA Tube bundle, as shipped
1A	10-27133	GWA Tube only
2	10-18134	2 Section spout w/flex hose
3	10-27134	Flighting
4	10-18137	Solenoid valve
5	10-27087	Transfer Hopper mounting bar
6	10-19022	Tube half band, 6"
7	10-27089	Cable anchor plate
8	10-18151	Tywrap
9	10-17475	Switch and cord assembly
10	10-18685	Tube half band, w/hook
11	10-27083	Transport bracket
12	10-27084	Transport half clamp
13	10-27147	Auger support clip
14	10-27148	Auger support locking bar
15	10-19151	Winch, 4:1 ratio
16	10-18152	Spout clamp
17	10-18153	6" Flex hose
18	10-18147	Electrical harness
19	10-27095	Pivoting arm, transport bracket
20	10-19246	1/4" Cable, 24" long
21	10-18136	Motor, hydraulic, 4.5 cu in.
22	10-19147	1/4" cable clamp
23	10-18149	Switch bracket
24	10-18150	Cord grommet
25	10-18148	Toggle switch
26	10-19321	1" Flangette bearing
27	10-18817	1" Bearing, less flange & lock collar
28	10-18694	1" bearing flange, single
29	10-18154	O-ring #112
30	10-19274	Self-tapping screw, #14 x 3/4"
31	10-19463	Hair clip
32	10-19537	Bolt, 1/4" - 20 x 1/2", grade 5
33	10-19538	Bolt, 5/16" - 18 x 3/4", grade 2
34	10-19965	Bolt, 5/16" - 18 x 2-3/4", grade 2
35	10-19540	Bolt, 3/8" - 16 x 3/4", grade 2
36	10-19542	Bolt, 7/16" - 14 x 1", grade 5
37	10-19588	Bolt, 1/2" - 13 x 1-1/4", grade 5
38	10-19594	Washer locknut, 1/4" - 20
39	10-19595	Washer locknut, 5/16" - 18
40	10-17402	Locknut, 3/8" - 16
41	10-19598	Locknut, 7/16" - 14
42	10-19599	Hex nut, 1/2" - 13
43	10-19604	Lockwasher, 3/8"
44	10-27090	GWA hopper, as shipped
44A	10-27094	Intake hopper only
45	10-27218	Hopper belting
46	10-18054	Attach strap, 13"
47	10-27096	Hopper mounting rod
48	10-27091	GWA Carton

# GRAVITY WAGON AUGER, GWA 615, GWH 644

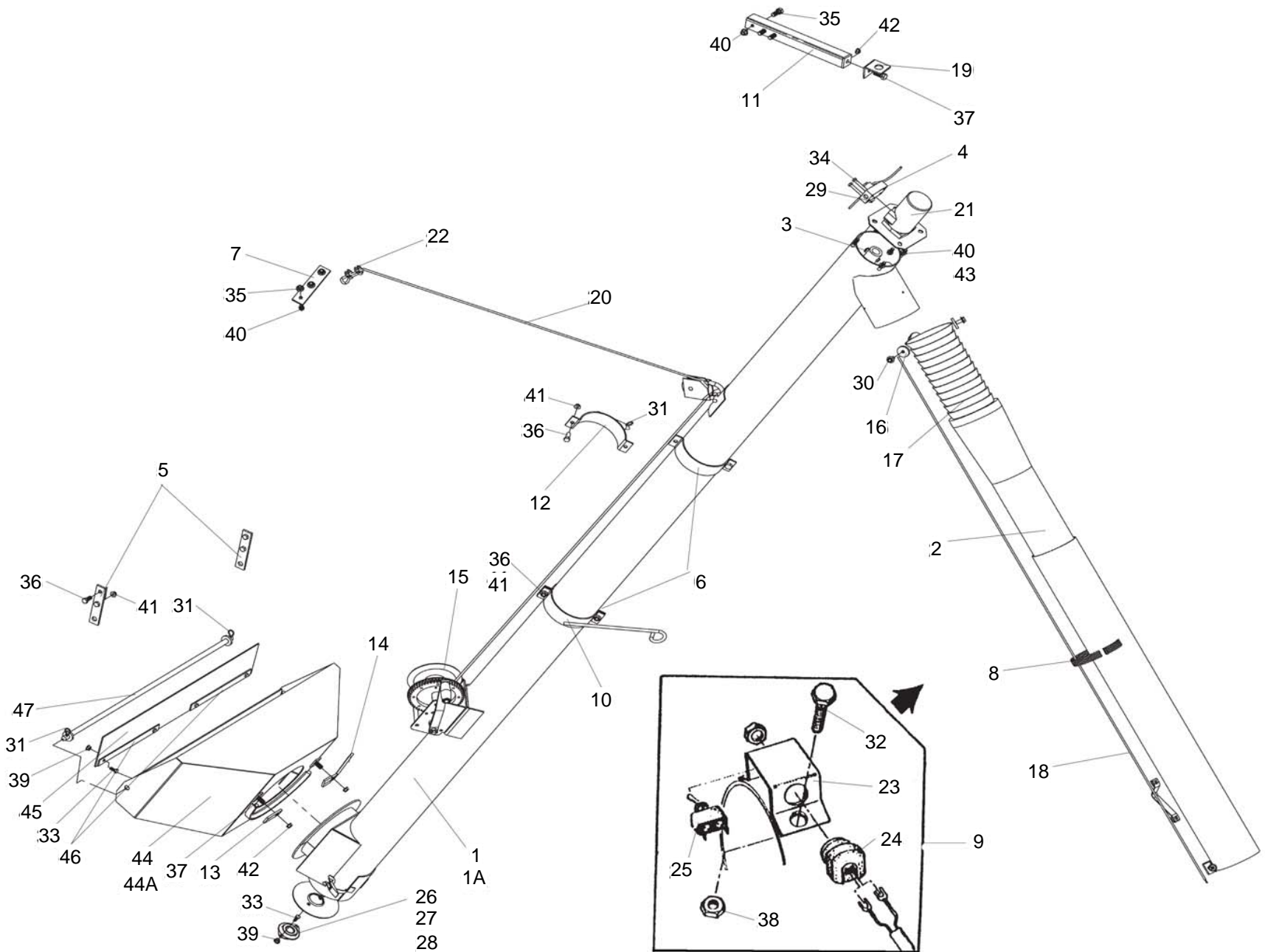




# GRAVITY WAGON AUGER, GWA 615, GWH 644

ITEM	PART NO.	DESCRIPTION
49	10-27061	Decal package

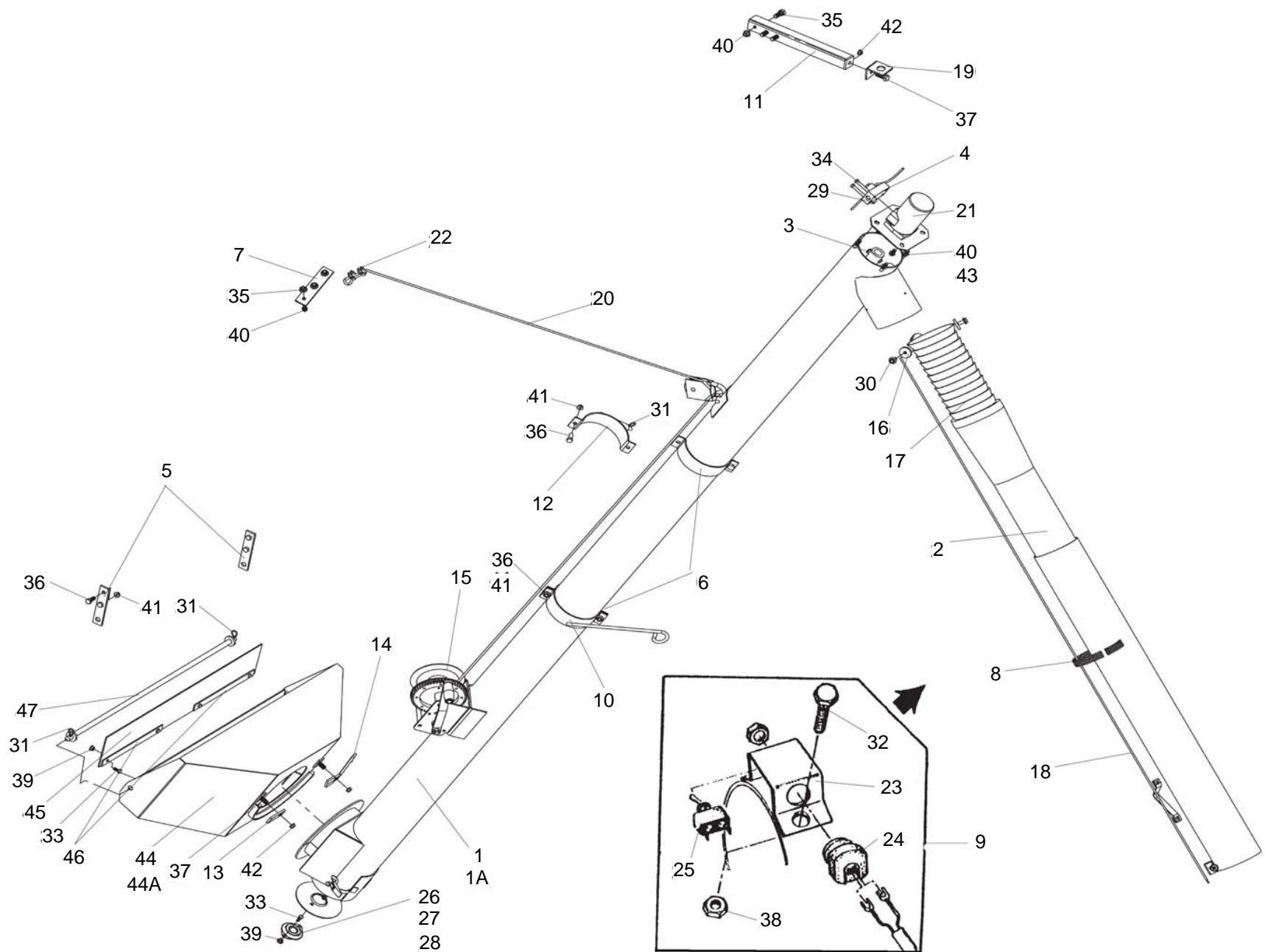
# GRAVITY WAGON AUGER, GWA 615, GWH 660



## GRAVITY WAGON AUGER, GWA 615, GWH 660

ITEM	PART NO.	DESCRIPTION
1	10-27085	GWA Tube bundle, as shipped
1A	10-27133	GWA Tube only
2	10-18134	2 Section spout w/flex hose
3	10-27134	Flighting
4	10-18137	Solenoid valve
5	10-27087	Transfer Hopper mounting bar
6	10-19022	Tube half band, 6"
7	10-27089	Cable anchor plate
8	10-18151	Tywrap
9	10-17475	Switch and cord assembly
10	10-18685	Tube half band, w/hook
11	10-27083	Transport bracket
12	10-27084	Transport half clamp
13	10-27147	Auger support clip
14	10-27148	Auger support locking bar
15	10-19151	Winch, 4:1 ratio
16	10-18152	Spout clamp
17	10-18153	6" Flex hose
18	10-18147	Electrical harness
19	10-27095	Pivoting arm, transport bracket
20	10-19246	1/4" Cable, 24" long
21	10-18136	Motor, hydraulic, 4.5 cu in.
22	10-19147	1/4" cable clamp
23	10-18149	Switch bracket
24	10-18150	Cord grommet
25	10-18148	Toggle switch
26	10-19321	1" Flangette bearing
27	10-18817	1" Bearing, less flange & lock collar
28	10-18694	1" bearing flange, single
29	10-18154	O-ring #112
30	10-19274	Self-tapping screw, #14 x 3/4"
31	10-19463	Hair clip
32	10-19537	Bolt, 1/4" - 20 x 1/2", grade 5
33	10-19538	Bolt, 5/16" - 18 x 3/4", grade 2
34	10-19965	Bolt, 5/16" - 18 x 2-3/4", grade 2
35	10-19540	Bolt, 3/8" - 16 x 3/4", grade 2
36	10-19542	Bolt, 7/16" - 14 x 1", grade 5
37	10-19588	Bolt, 1/2" - 13 x 1-1/4", grade 5
38	10-19594	Washer locknut, 1/4" - 20
39	10-19595	Washer locknut, 5/16" - 18
40	10-17402	Locknut, 3/8" - 16
41	10-19598	Locknut, 7/16" - 14
42	10-19599	Hex nut, 1/2" - 13
43	10-19604	Lockwasher, 3/8"
44A	10-27554	Intake hopper only
44	10-27555	GWA hopper, as shipped
45	10-27557	Hopper belting
46	10-18054	Attach strap, 13"
47	10-27556	Hopper mounting rod
48	10-27091	GWA Carton

# GRAVITY WAGON AUGER, GWA 615, GWH 660



# GRAVITY WAGON AUGER, GWA 615, GWH 660

ITEM	PART NO.	DESCRIPTION
49	10-27061	Decal package

# **WESTFIELD**

Westfield Industries is a Division of Ag Growth Industries Partnership  
Part of the Ag Growth International Inc. Group

P.O. Box 39

Rosenort, Manitoba, Canada R0G 1W0

Phone: (866) 467-7207 (Canada & USA)

Fax: (866) 768-4852

website: [www.grainaugers.com](http://www.grainaugers.com)

email: [sales@grainaugers.com](mailto:sales@grainaugers.com)

© Ag Growth International 2015



Printed in Canada