



# **WESTFIELD**

## **PARTS MANUAL**

# **DRILL FILL, TOTE TANK**

BOX 39, ROSENORT, MANITOBA, CANADA R0G 1W0  
PHONE: (866) 467-7207 (CANADA & USA)  
FAX: (866) 768-4852  
WEBSITE: [WWW.GRAINAUGERS.COM](http://WWW.GRAINAUGERS.COM)  
EMAIL: [SALES@GRAINAUGERS.COM](mailto:SALES@GRAINAUGERS.COM)



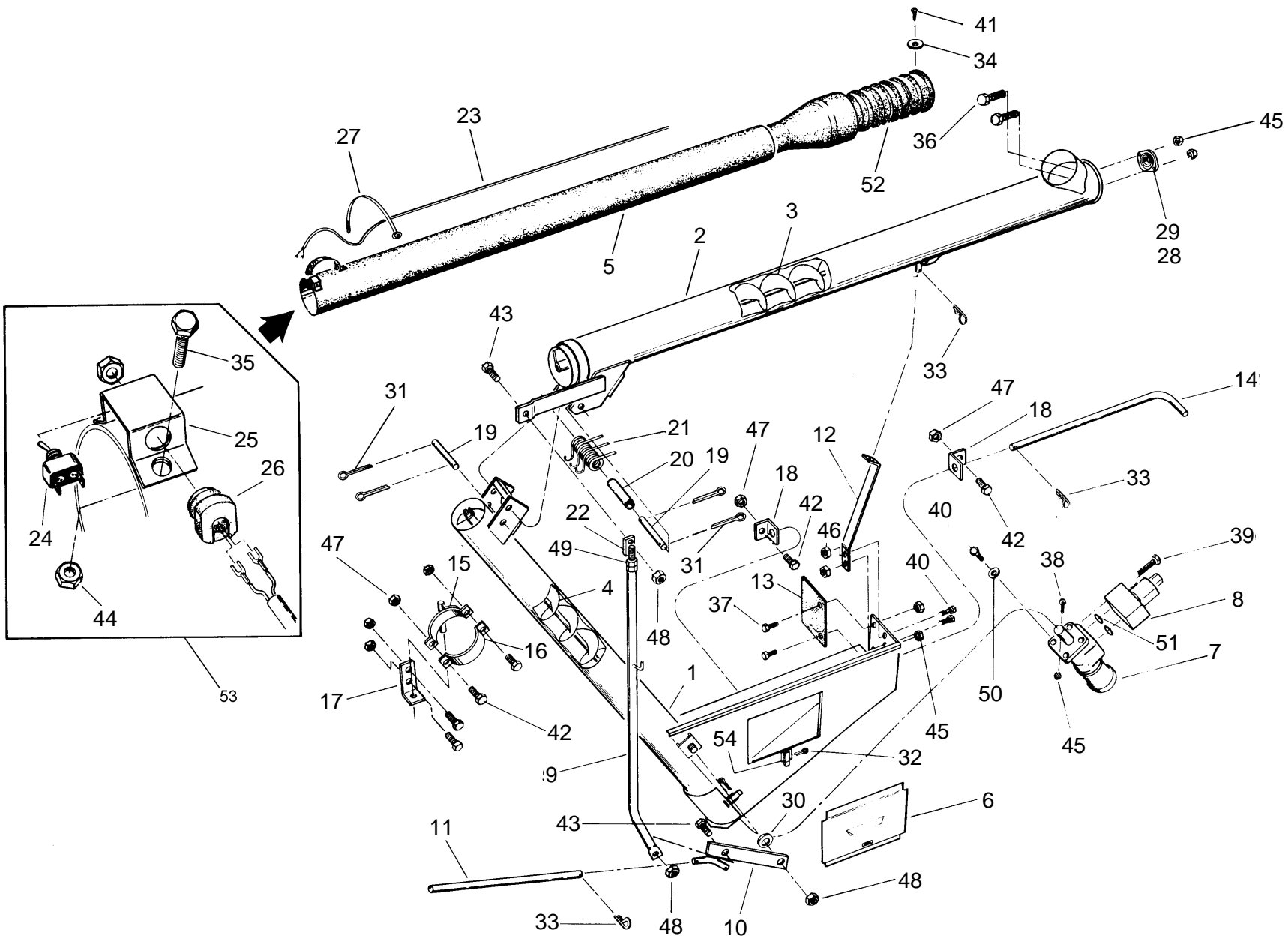
REVISED: 14/07/2015



# TABLE OF CONTENTS

<b>DESCRIPTION</b>	<b>PAGE</b>
REAR MOUNT DRILL FILL & SPRING ASSIST, DF614	4
REAR MOUNT DRILL FILL & MANUAL LIFT, DF614	8
TOTE TANK, T505	12
TOTE TANK, T506	16
TOTE TANK, T507	20
TOTE TANK, T508	24
TOTE TANK, T509	28
TOTE TANK, T510	32
FERTILIZER TANK, DF350&DF500	36

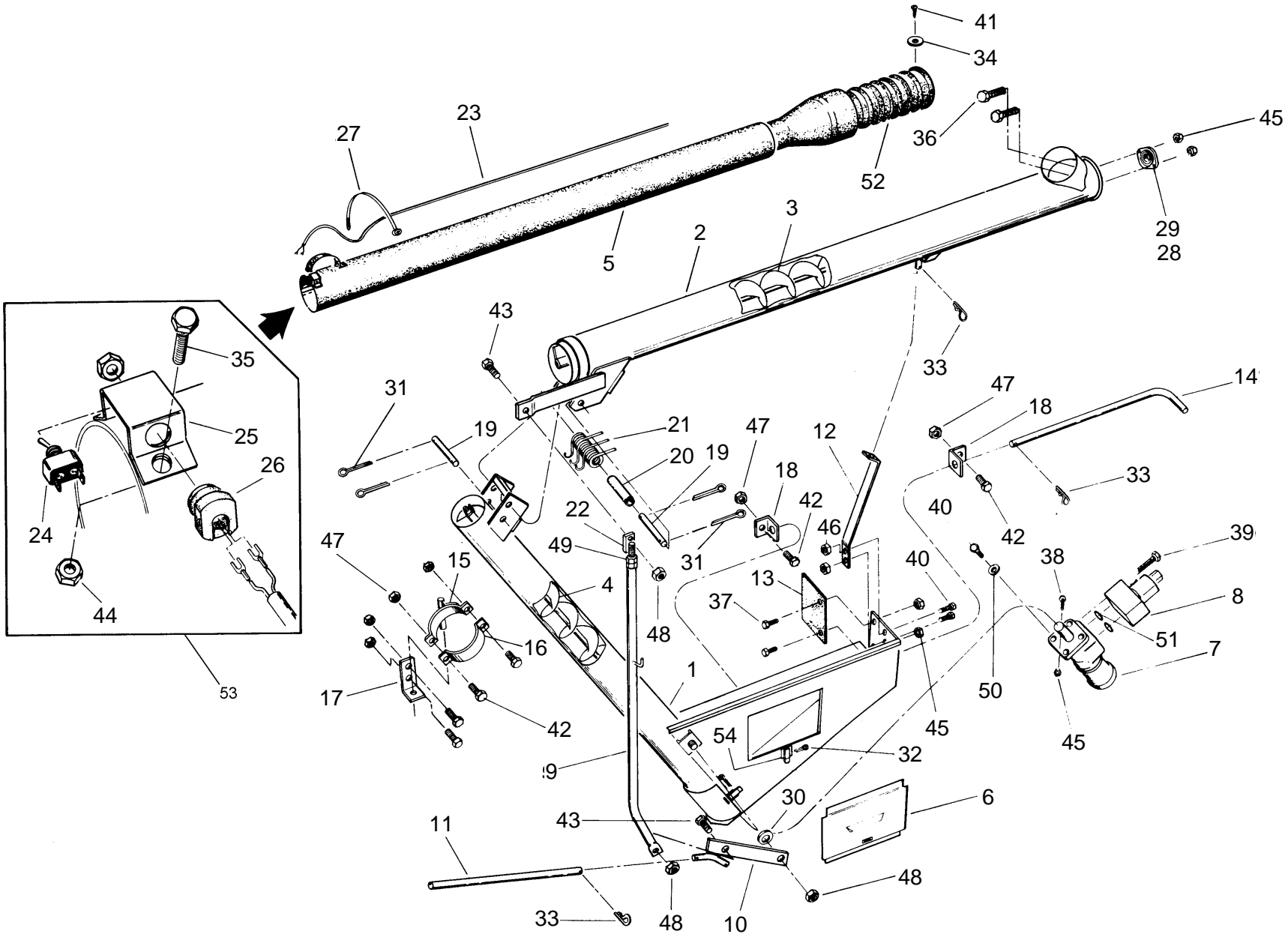
# REAR MOUNT DRILL FILL & SPRING ASSIST, DF614



## REAR MOUNT DRILL FILL & SPRING ASSIST, DF614

ITEM	PART NO.	DESCRIPTION
1	10-18157	Lower tube and hopper
2	10-18158	Upper tube
3	10-18367	Upper flighting
4	10-18133	Lower flighting
5	10-18134	2 Section spout w/flex hose
6	10-18135	Dump cover
7	10-18136	Hydraulic motor
8	10-18137	Solenoid valve
9	10-18138	Lift arm
10	10-18139	Lift arm bracket
11	10-18140	Handle
12	10-18159	Transport bracket
13	10-18142	Skirting
14	10-18160	Mount pin
15	10-18161	Mount clamp
16	10-19022	Tube half band
17	10-18162	Hanger bracket
18	10-18163	Mount bracket
19	10-18145	Pivot pin
20	10-18164	Sleeve
21	10-18165	Spring
22	10-18146	Adjust bolt
23	10-18147	Electrical harness
24	10-18148	Toggle switch
25	10-18149	Switch bracket
26	10-18150	Cord Grommet
27	10-18151	Tywrap
28	10-18817	1" Bearing, less flanges
29	10-19321	1" Flangette bearing
30	10-19966	Washer, 5/8"
31	10-18155	Cotter pin, 3/16" x 1-1/4"
32	10-18156	Cotter pin, 3/32" x 1"
33	10-19463	Hitch pin #10
34	10-18152	Spout clamp
35	10-19537	Bolt, 1/4" - 20 x 1/2", grade 5
36	10-19538	Bolt, 5/16" - 18 x 3/4", grade 2
37	10-18091	Bolt, 5/16" - 18 x 1", grade 2
38	10-19539	Bolt, 5/16" - 18 x 2", grade 2
39	10-19965	Bolt, 5/16" - 18 x 2-3/4", grade 2
40	10-19540	Bolt, 3/8" - 16 x 3/4", grade 2
41	10-19952	self-tapping screw, #14 x 3/4"
42	10-19542	Bolt, 7/16" - 14 x 1", grade 5
43	10-19590	Bolt, 5/8" - 11 x 1-1/2", grade 5
44	10-19594	Washer locknut, 1/4" - 20
45	10-19595	Washer locknut, 5/16" - 18
46	10-19596	Washer locknut, 3/8" - 16
47	10-19598	Locknut, 7/16" - 14
48	10-19600	Locknut, 5/8" - 11
49	10-19864	Hex nut, 5/8" - 11
50	10-19604	Lockwasher, 3/8"

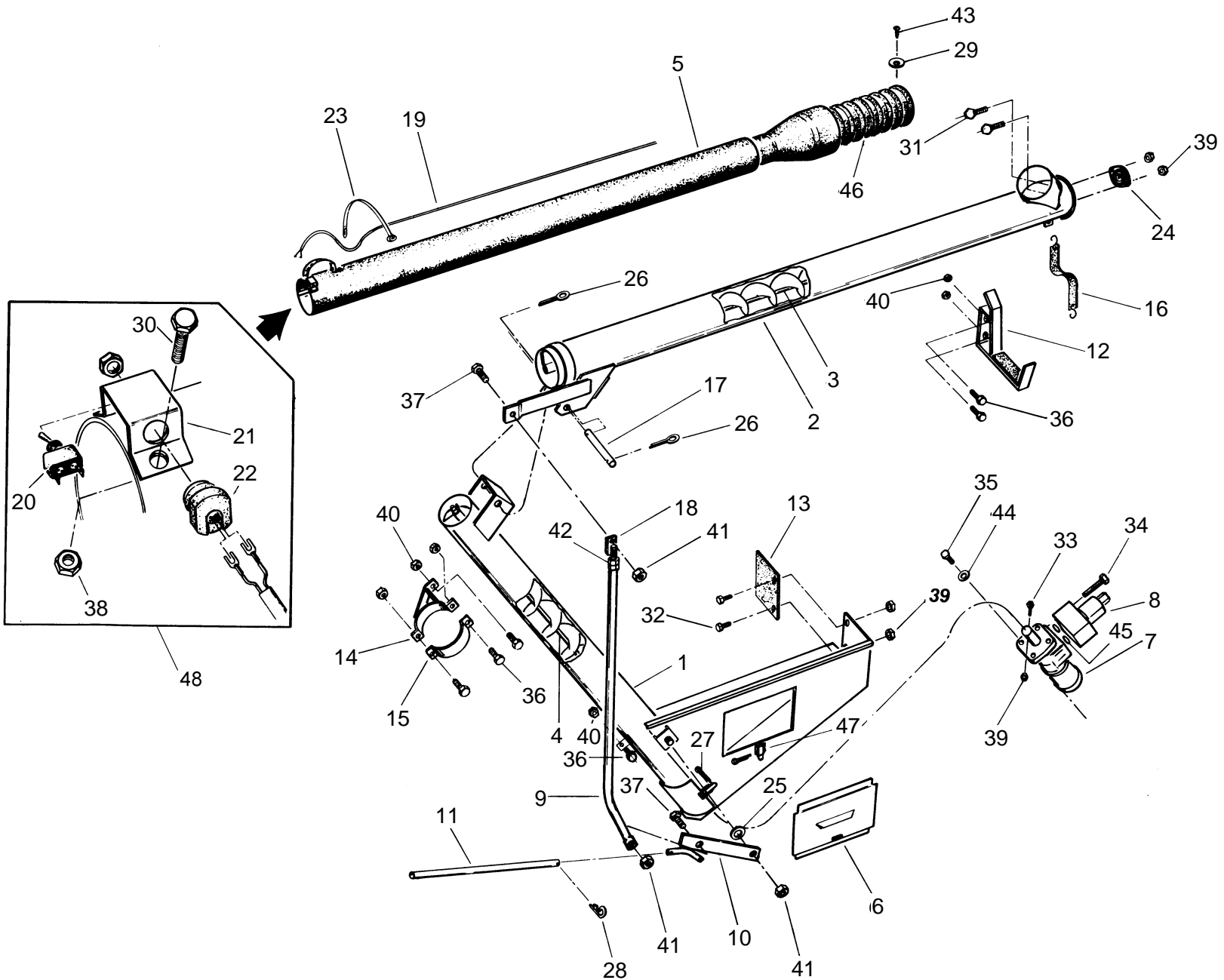
REAR MOUNT DRILL FILL & SPRING ASSIST, DF614



## REAR MOUNT DRILL FILL & SPRING ASSIST, DF614

ITEM	PART NO.	DESCRIPTION
51	10-18154	O-ring # 112
52	10-18153	6" Flex hose
53	10-17475	Switch & cord assembly
54	10-18168	Toggle latch
55	10-18352	DF614 carton, as packed

# REAR MOUNT DRILL FILL & MANUAL LIFT, DF614

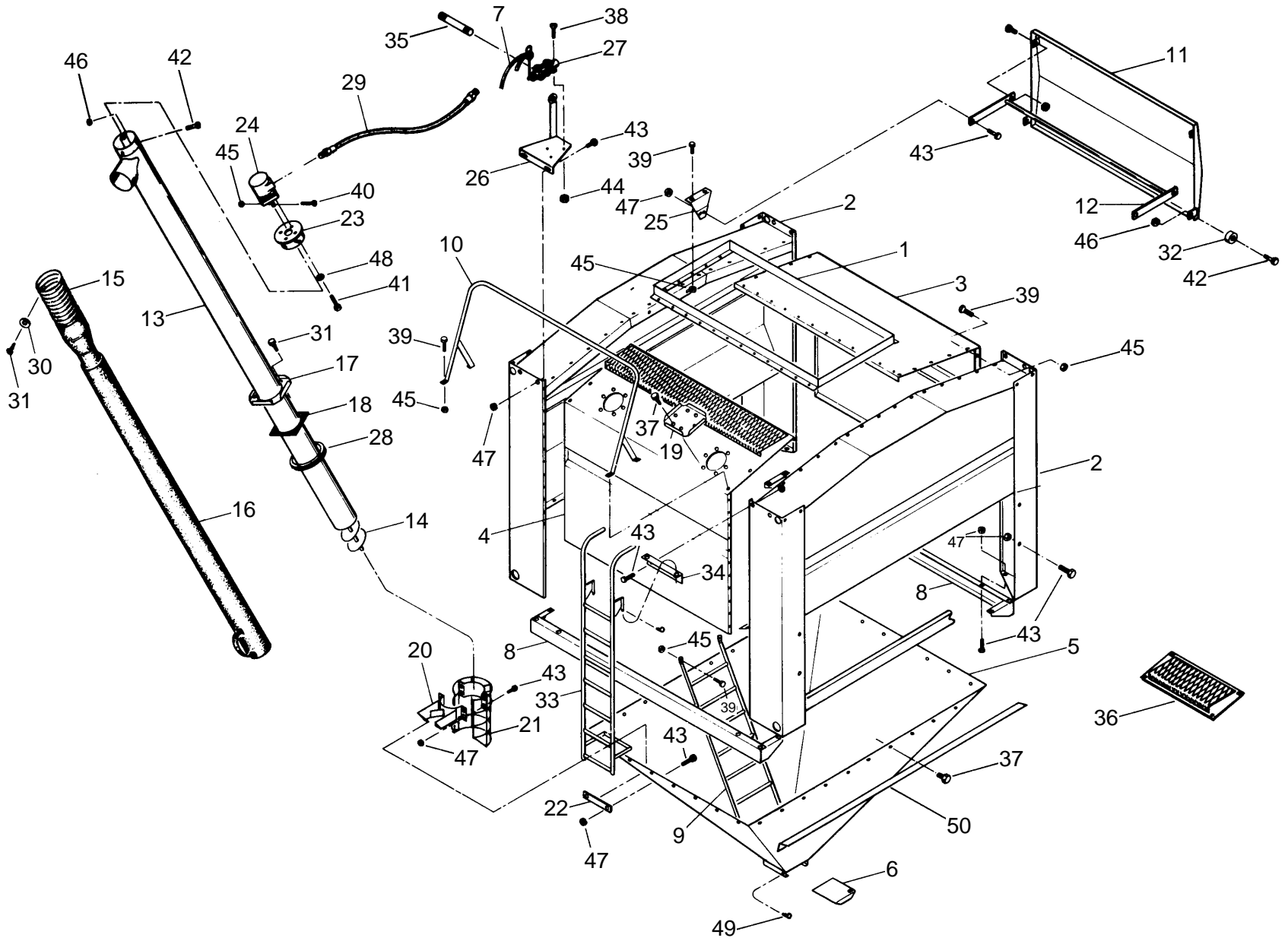




## REAR MOUNT DRILL FILL & MANUAL LIFT, DF614

ITEM	PART NO.	DESCRIPTION
1	10-18130	Lower tube & hopper
2	10-18131	Upper tube
3	10-18132	Upper flighting
4	10-18133	Lower flighting
5	10-18134	2 Section spout w/flex hose
6	10-18135	Dump cover
7	10-18136	Hydraulic motor
8	10-18137	Solenoid valve
9	10-18138	Lift arm
10	10-18139	Lift arm bracket
11	10-18140	Handle
12	10-18141	Transport saddle
13	10-18142	Skirting
14	10-18143	Mount clamp
15	10-19022	Tube half band
16	10-18144	Tarp strap
17	10-18145	Pivot pin
18	10-18146	Adjust bolt
19	10-18147	Electrical harness
20	10-18148	Toggle switch
21	10-18149	Switch bracket
22	10-18150	Cord grommet
23	10-18151	Tywrap
24	10-19321	1" Flangette bearing
25	10-19966	Washer, 5/8"
26	10-18155	Cotter pin, 3/16" x 1-1/4"
27	10-18156	Cotter pin, 3/32" x 1"
28	10-19463	Hitch pin #10
29	10-18152	Spout clamp
30	10-19537	Bolt, 1/4" - 20 x 1/2", grade 5
31	10-19538	Bolt, 5/16" - 18 x 3/4", grade 2
32	10-18091	Bolt, 5/16" - 18 x 1", grade 2
33	10-19992	Bolt, 5/16" - 18 x 2", grade 2
34	10-19965	Bolt, 5/16" - 18 x 2-3/4", grade 2
35	10-19540	Bolt, 3/8" - 16 x 3/4", grade 2
36	10-19542	Bolt, 7/16" - 14 x 1", grade 5
37	10-19590	Bolt, 5/8" - 11 x 1-1/2", grade5
38	10-19594	Washer locknut, 1/4" - 20
39	10-19595	Washer locknut, 5/16" - 18
40	10-19598	Locknut, 7/16" - 14
41	10-19600	Locknut, 5/8" - 11
42	10-19963	Hex nut, 5/8" - 11
43	10-19952	self-tapping screw, #14 x 3/4"
44	10-19604	Lockwasher, 3/8"
45	10-18154	O-ring #112
46	10-18153	6" Flex hose
47	10-18190	Toggle latch
48	10-17475	Switch & cord assembly

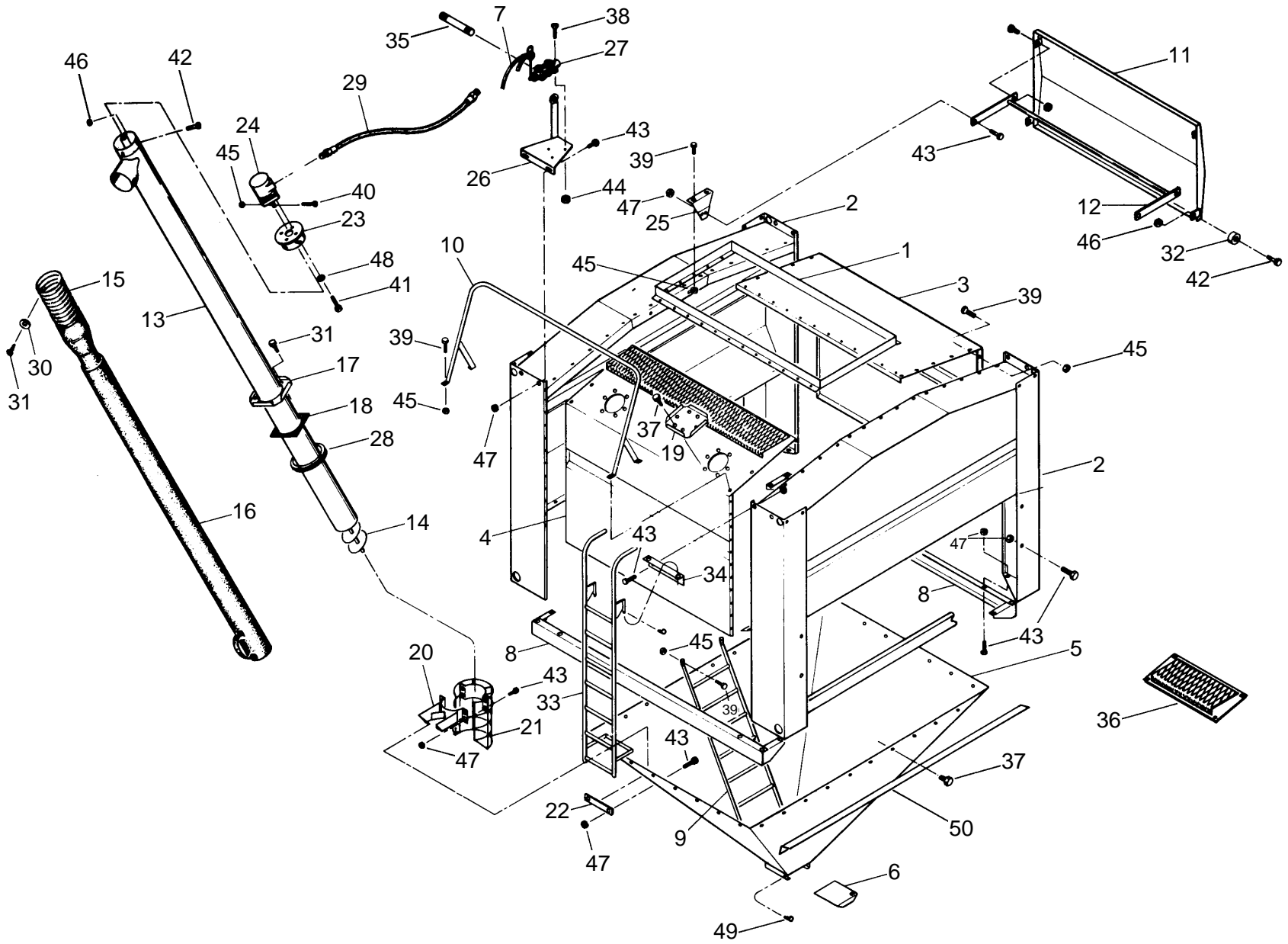
# TOTE TANK, T505



# TOTE TANK, T505

ITEM	PART NO.	DESCRIPTION
1	10-18275	Lid frame T505
2	10-18281	End frame (frt. & rr.)
3	10-18282	Side panel r.h. T505
4	10-18288	Side panel l.h. T505
5	10-18294	Hopper T505
6	10-18300	Hopper chute
7	10-18301	Rope
8	10-18302	Skid T505
9	10-18308	Interior ladder
10	10-18309	Safety rail T505
11	10-18315	Lid T505
12	10-18321	Lid pivot arm T505
13	10-18327	Auger tube
14	10-18328	Flighting
15	10-18153	Flex hose, 6" only
16	10-18134	2 Section spout w. flex hose
17	10-18329	Flange mount
18	10-18330	Gasket
19	10-18331	Cover flange
20	10-18332	Tube mount
21	10-18333	Intake shield
22	10-18334	Reinforcing plate
23	10-18335	End cap
24	10-18362	Hydraulic motor
25	10-18336	Mounting bracket, lid stabilizer
26	10-18337	Valve mount
27	10-18338	Hydraulic valve
28	10-18342	Protective moulding
29	10-18357	Hydraulic hose
30	10-18152	Spout clamp
31	10-19952	self-tapping screw, #14 x 3/4" type AB
32	10-18339	Roller
33	10-18340	Exterior ladder
34	10-18341	Ladder mounting bracket
35	10-18266	Hydraulic connecting pipe
36	10-18267	Catwalk connector
37	10-19984	self-tapping screw, #14 x 1/2" type B
38	10-19985	Bolt, 1/4" - 20 x 1-1/2", grade 2
39	10-19538	Bolt, 5/16" - 18 x 3/4", grade 2
40	10-19992	Bolt, 5/16" - 18 x 2", grade 8
41	10-19540	Bolt, 3/8" - 16 x 3/4", grade 2
42	10-19986	Shoulder bolt, 3/8" - 16 x 1-5/8"
43	10-19542	Bolt, 7/16" - 14 x 1", grade 5
44	10-19594	Washer locknut, 1/4" - 20
45	10-19595	Washer locknut, 5/16" - 18
46	10-19596	Washer locknut, 3/8" - 16
47	10-19598	Locknut, 7/16" - 14
48	10-19596	Lockwasher, 3/8"
49	10-19463	Hitch pin
50	10-18554	Angle stiffener

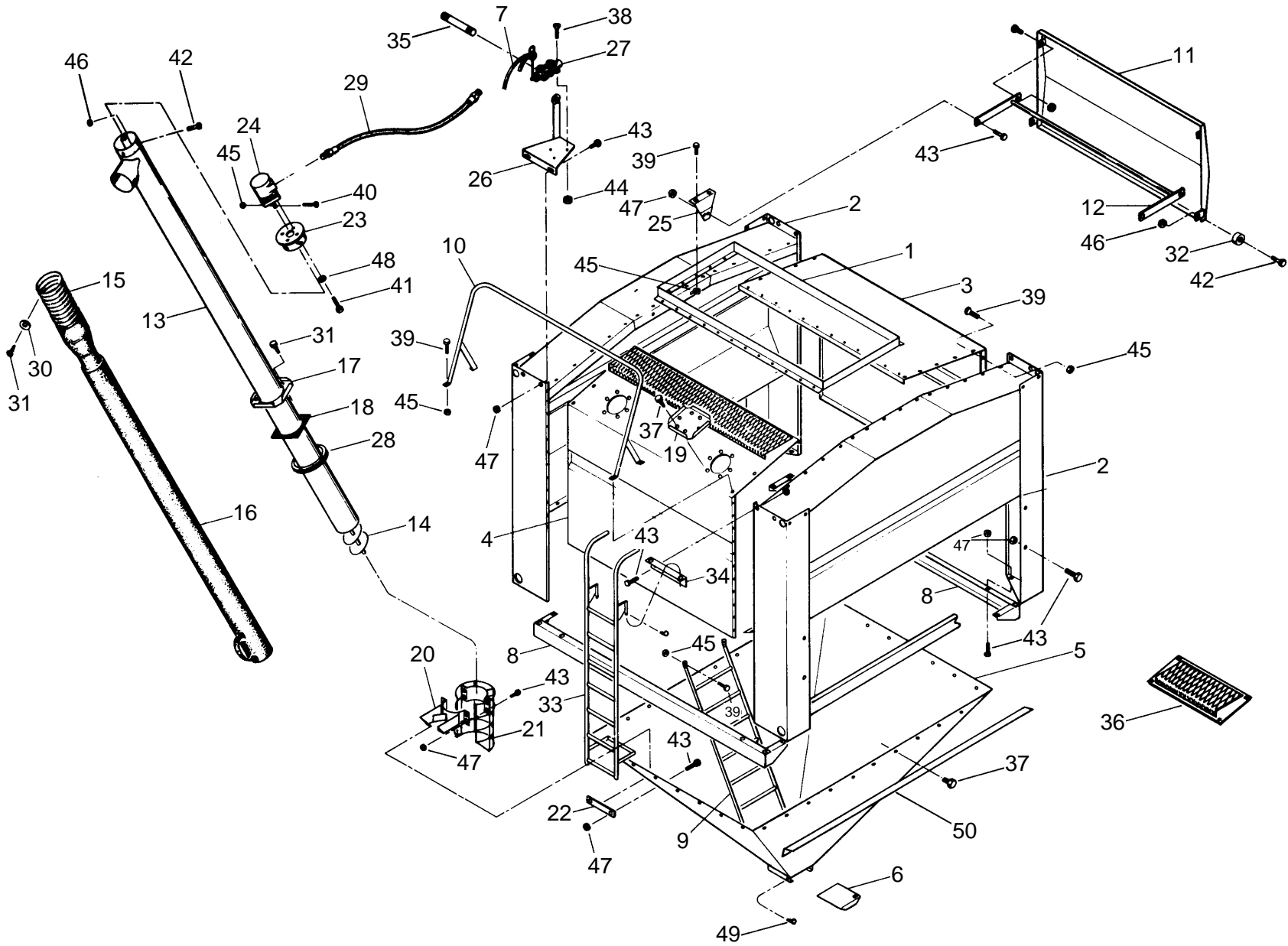
# TOTE TANK, T506



# TOTE TANK, T506

ITEM	PART NO.	DESCRIPTION
1	10-18276	Lid frame T506
2	10-18281	End frame (frt. & rr.)
3	10-18283	Side panel r.h. T506
4	10-18289	Side panel l.h. T506
5	10-18295	Hopper T506
6	10-18300	Hopper chute
7	10-18301	Rope
8	10-18303	Skid T506
9	10-18308	Interior ladder
10	10-18310	Safety rail T506
11	10-18316	Lid T506
12	10-18322	Lid pivot arm T506
13	10-18327	Auger tube
14	10-18328	Flighting
15	10-18153	Flex hose, 6" only
16	10-18134	2 Section spout w. flex hose
17	10-18329	Flange mount
18	10-18330	Gasket
19	10-18331	Cover flange
20	10-18332	Tube mount
21	10-18333	Intake shield
22	10-18334	Reinforcing plate
23	10-18335	End cap
24	10-18362	Hydraulic motor
25	10-18336	Mounting bracket, lid stabilizer
26	10-18337	Valve mount
27	10-18338	Hydraulic valve
28	10-18342	Protective moulding
29	10-18357	Hydraulic hose
30	10-18152	Spout clamp
31	10-19952	self-tapping screw, #14 x 3/4" type AB
32	10-18339	Roller
33	10-18340	Exterior ladder
34	10-18341	Ladder mounting bracket
35	10-18266	Hydraulic connecting pipe
36	10-18267	Catwalk connector
37	10-19984	self-tapping screw, #14 x 1/2" type B
38	10-19985	Bolt, 1/4" - 20 x 1-1/2", grade 2
39	10-19538	Bolt, 5/16" - 18 x 3/4", grade 2
40	10-19992	Bolt, 5/16" - 18 x 2", grade 8
41	10-19540	Bolt, 3/8" - 16 x 3/4", grade 2
42	10-19986	Shoulder bolt, 3/8" - 16 x 1-5/8"
43	10-19542	Bolt, 7/16" - 14 x 1", grade 5
44	10-19594	Washer locknut, 1/4" - 20
45	10-19595	Washer locknut, 5/16" - 18
46	10-19596	Washer locknut, 3/8" - 16
47	10-19598	Locknut, 7/16" - 14
48	10-19596	Lockwasher, 3/8"
49	10-19463	Hitch pin
50	10-18554	Angle stiffener

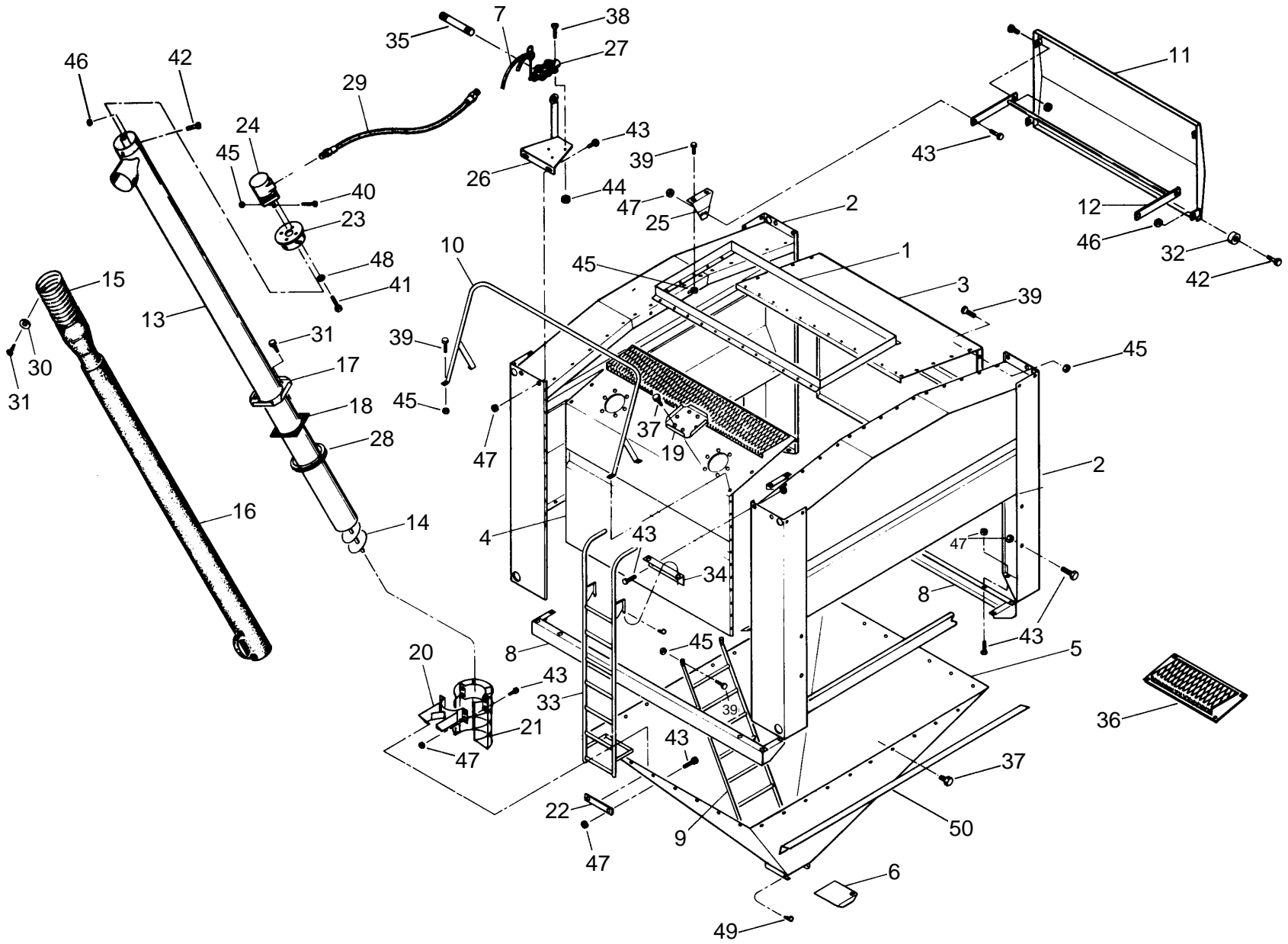
# TOTE TANK, T507



# TOTE TANK, T507

ITEM	PART NO.	DESCRIPTION
1	10-18277	Lid frame T507
2	10-18281	End frame (frt. & rr.)
3	10-18284	Side panel r.h. T507
4	10-18290	Side panel l.h. T507
5	10-18296	Hopper T507
6	10-18300	Hopper chute
7	10-18301	Rope
8	10-18304	Skid T507
9	10-18308	Interior ladder
10	10-18311	Safety rail T507
11	10-18317	Lid T507
12	10-18323	Lid pivot arm T507
13	10-18327	Auger tube
14	10-18328	Flighting
15	10-18153	Flex hose, 6" only
16	10-18134	2 Section spout w. flex hose
17	10-18329	Flange mount
18	10-18330	Gasket
19	10-18331	Cover flange
20	10-18332	Tube mount
21	10-18333	Intake shield
22	10-18334	Reinforcing plate
23	10-18335	End cap
24	10-18362	Hydraulic motor
25	10-18336	Mounting bracket, lid stabilizer
26	10-18337	Valve mount
27	10-18338	Hydraulic valve
28	10-18342	Protective moulding
29	10-18357	Hydraulic hose
30	10-18152	Spout clamp
31	10-19952	self-tapping screw, #14 x 3/4" type AB
32	10-18339	Roller
33	10-18340	Exterior ladder
34	10-18341	Ladder mounting bracket
35	10-18266	Hydraulic connecting pipe
36	10-18267	Catwalk connector
37	10-19984	self-tapping screw, #14 x 1/2" type B
38	10-19985	Bolt, 1/4" - 20 x 1-1/2", grade 2
39	10-19538	Bolt, 5/16" - 18 x 3/4", grade 2
40	10-19992	Bolt, 5/16" - 18 x 2", grade 8
41	10-19540	Bolt, 3/8" - 16 x 3/4", grade 2
42	10-19986	Shoulder bolt, 3/8" - 16 x 1-5/8"
43	10-19542	Bolt, 7/16" - 14 x 1", grade 5
44	10-19594	Washer locknut, 1/4" - 20
45	10-19595	Washer locknut, 5/16" - 18
46	10-19596	Washer locknut, 3/8" - 16
47	10-19598	Locknut, 7/16" - 14
48	10-19596	Lockwasher, 3/8"
49	10-19463	Hitch pin
50	10-18554	Angle stiffener

# TOTE TANK, T508

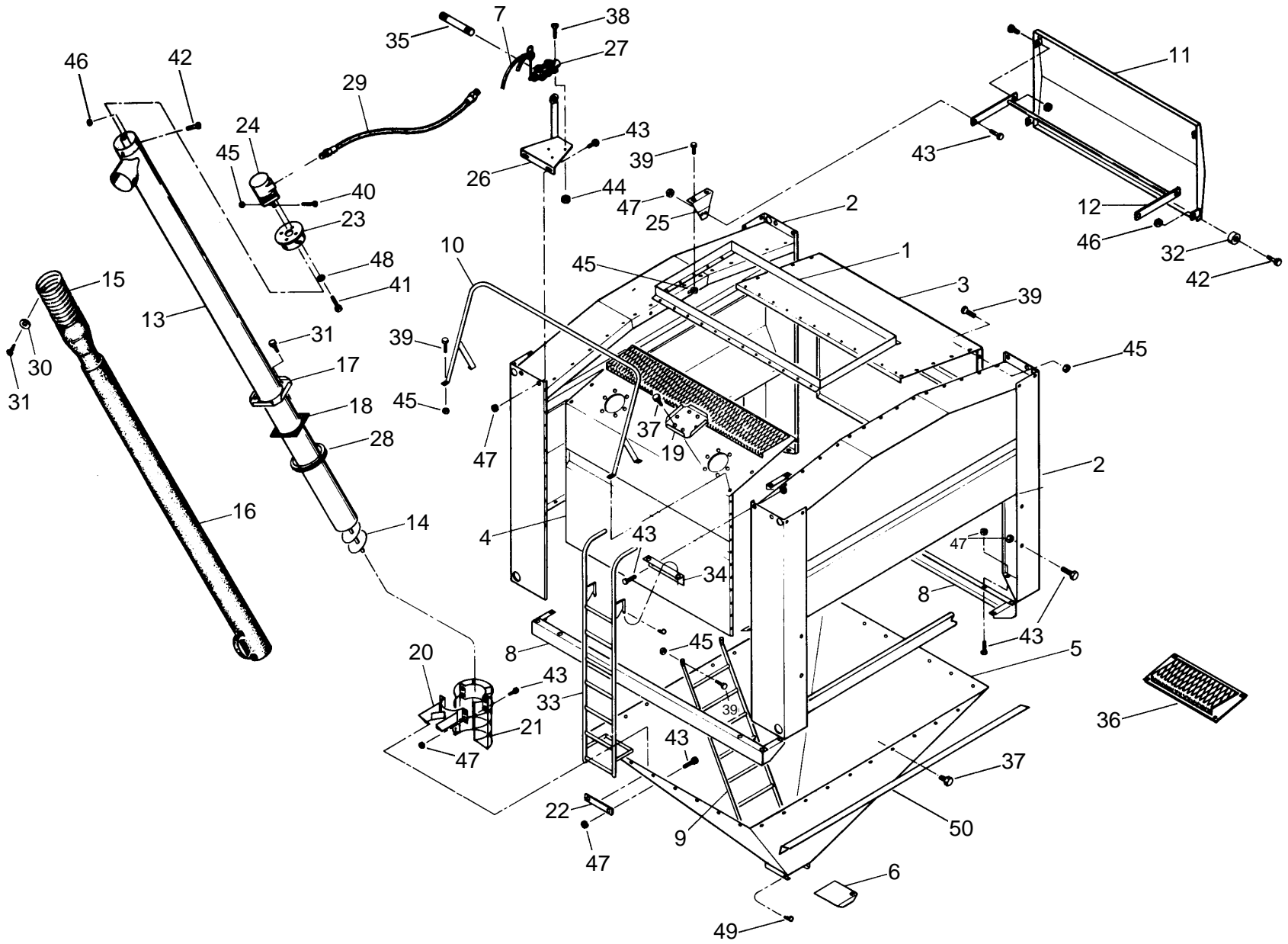




# TOTE TANK, T508

ITEM	PART NO.	DESCRIPTION
1	10-18278	Lid frame T508
2	10-18281	End frame (frt. & rr.)
3	10-18285	Side panel r.h. T508
4	10-18291	Side panel l.h. T508
5	10-18297	Hopper T508
6	10-18300	Hopper chute
7	10-18301	Rope
8	10-18305	Skid T508
9	10-18308	Interior ladder
10	10-18312	Safety rail T508
11	10-18318	Lid T508
12	10-18324	Lid pivot arm T508
13	10-18327	Auger tube
14	10-18328	Flighting
15	10-18153	Flex hose, 6" only
16	10-18134	2 Section spout w. flex hose
17	10-18329	Flange mount
18	10-18330	Gasket
19	10-18331	Cover flange
20	10-18332	Tube mount
21	10-18333	Intake shield
22	10-18334	Reinforcing plate
23	10-18335	End cap
24	10-18362	Hydraulic motor
25	10-18336	Mounting bracket, lid stabilizer
26	10-18337	Valve mount
27	10-18338	Hydraulic valve
28	10-18342	Protective moulding
29	10-18357	Hydraulic hose
30	10-18152	Spout clamp
31	10-19952	self-tapping screw, #14 x 3/4" type AB
32	10-18339	Roller
33	10-18340	Exterior ladder
34	10-18341	Ladder mounting bracket
35	10-18266	Hydraulic connecting pipe
36	10-18267	Catwalk connector
37	10-19984	self-tapping screw, #14 x 1/2" type B
38	10-19985	Bolt, 1/4" - 20 x 1-1/2", grade 2
39	10-19538	Bolt, 5/16" - 18 x 3/4", grade 2
40	10-19992	Bolt, 5/16" - 18 x 2", grade 8
41	10-19540	Bolt, 3/8" - 16 x 3/4", grade 2
42	10-19986	Shoulder bolt, 3/8" - 16 x 1-5/8"
43	10-19542	Bolt, 7/16" - 14 x 1", grade 5
44	10-19594	Washer locknut, 1/4" - 20
45	10-19595	Washer locknut, 5/16" - 18
46	10-19596	Washer locknut, 3/8" - 16
47	10-19598	Locknut, 7/16" - 14
48	10-19596	Lockwasher, 3/8"
49	10-19463	Hitch pin
50	10-18554	Angle stiffener

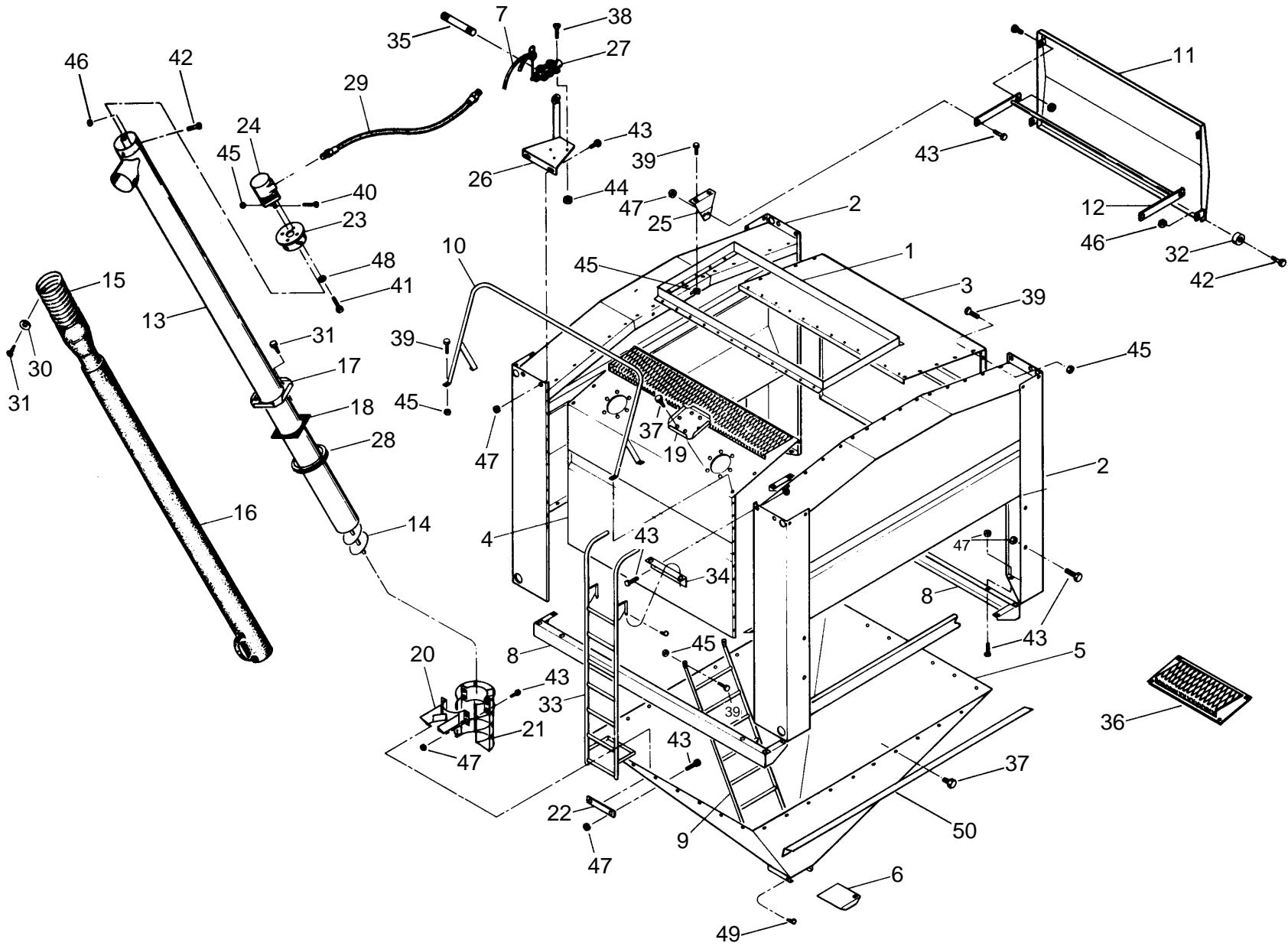
# TOTE TANK, T509



# TOTE TANK, T509

ITEM	PART NO.	DESCRIPTION
1	10-18279	Lid frame T509
2	10-18281	End frame (frt. & rr.)
3	10-18286	Side panel r.h. T509
4	10-18292	Side panel l.h. T509
5	10-18298	Hopper T509
6	10-18300	Hopper chute
7	10-18301	Rope
8	10-18306	Skid T509
9	10-18308	Interior ladder
10	10-18313	Safety rail T509
11	10-18319	Lid T509
12	10-18325	Lid pivot arm T509
13	10-18327	Auger tube
14	10-18328	Flighting
15	10-18153	Flex hose, 6" only
16	10-18134	2 Section spout w. flex hose
17	10-18329	Flange mount
18	10-18330	Gasket
19	10-18331	Cover flange
20	10-18332	Tube mount
21	10-18333	Intake shield
22	10-18334	Reinforcing plate
23	10-18335	End cap
24	10-18362	Hydraulic motor
25	10-18336	Mounting bracket, lid stabilizer
26	10-18337	Valve mount
27	10-18338	Hydraulic valve
28	10-18342	Protective moulding
29	10-18357	Hydraulic hose
30	10-18152	Spout clamp
31	10-19952	self-tapping screw, #14 x 3/4" type AB
32	10-18339	Roller
33	10-18340	Exterior ladder
34	10-18341	Ladder mounting bracket
35	10-18266	Hydraulic connecting pipe
36	10-18267	Catwalk connector
37	10-19984	self-tapping screw, #14 x 1/2" type B
38	10-19985	Bolt, 1/4" - 20 x 1-1/2", grade 2
39	10-19538	Bolt, 5/16" - 18 x 3/4", grade 2
40	10-19992	Bolt, 5/16" - 18 x 2", grade 8
41	10-19540	Bolt, 3/8" - 16 x 3/4", grade 2
42	10-19986	Shoulder bolt, 3/8" - 16 x 1-5/8"
43	10-19542	Bolt, 7/16" - 14 x 1", grade 5
44	10-19594	Washer locknut, 1/4" - 20
45	10-19595	Washer locknut, 5/16" - 18
46	10-19596	Washer locknut, 3/8" - 16
47	10-19598	Locknut, 7/16" - 14
48	10-19596	Lockwasher, 3/8"
49	10-19463	Hitch pin
50	10-18554	Angle stiffener

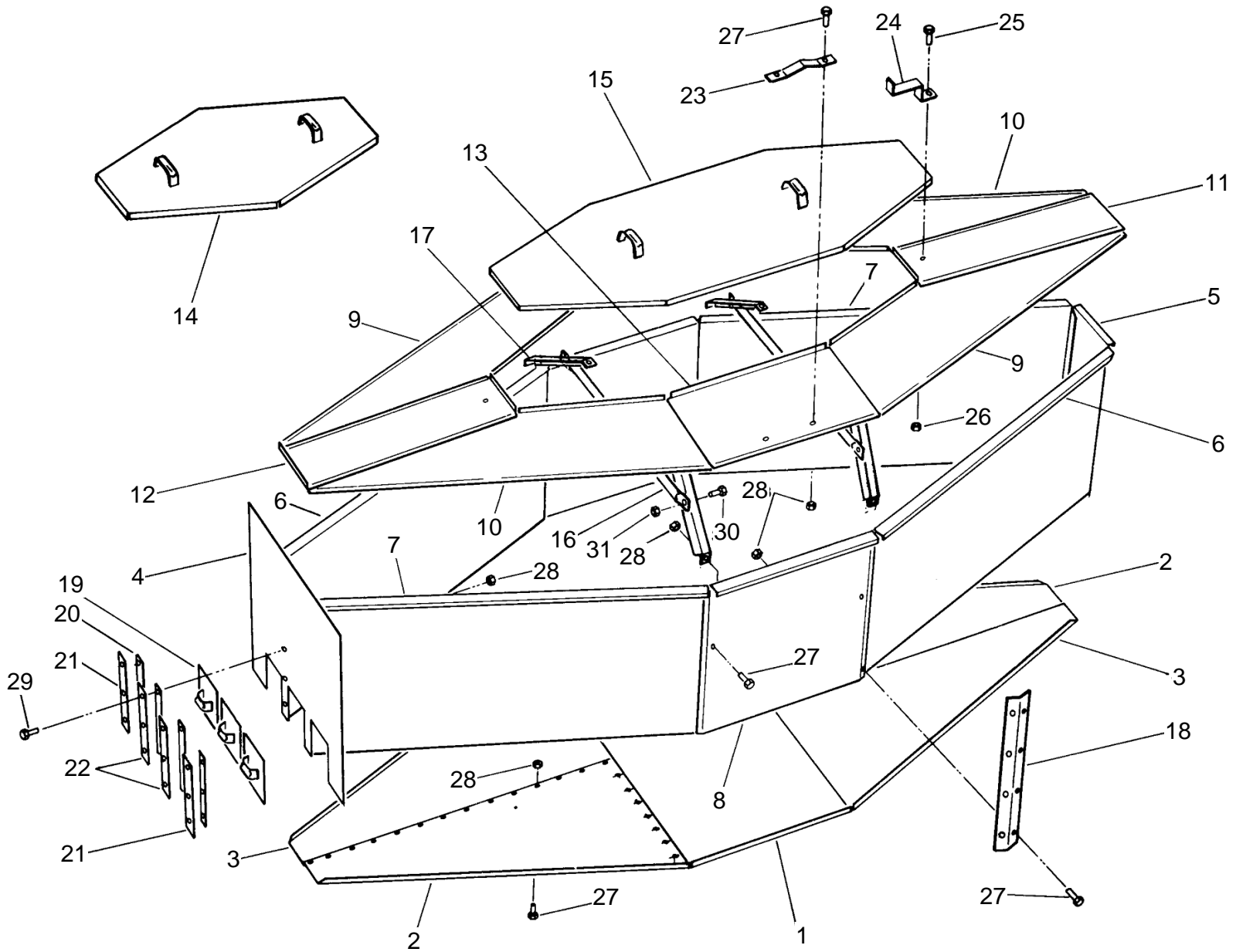
# TOTE TANK, T510



# TOTE TANK, T510

ITEM	PART NO.	DESCRIPTION
1	10-18280	Lid frame T510
2	10-18281	End frame (frt. & rr.)
3	10-18287	Side panel r.h. T510
4	10-18293	Side panel l.h. T510
5	10-18299	Hopper T510
6	10-18300	Hopper chute
7	10-18301	Rope
8	10-18307	Skid T510
9	10-18308	Interior ladder
10	10-18314	Safety rail T510
11	10-18320	Lid T510
12	10-18326	Lid pivot arm T510
13	10-18327	Auger tube
14	10-18328	Flighting
15	10-18153	Flex hose, 6" only
16	10-18134	2 Section spout w. flex hose
17	10-18329	Flange mount
18	10-18330	Gasket
19	10-18331	Cover flange
20	10-18332	Tube mount
21	10-18333	Intake shield
22	10-18334	Reinforcing plate
23	10-18335	End cap
24	10-18362	Hydraulic motor
25	10-18336	Mounting bracket, lid stabilizer
26	10-18337	Valve mount
27	10-18338	Hydraulic valve
28	10-18342	Protective moulding
29	10-18357	Hydraulic hose
30	10-18152	Spout clamp
31	10-19952	self-tapping screw, #14 x 3/4" type AB
32	10-18339	Roller
33	10-18340	Exterior ladder
34	10-18341	Ladder mounting bracket
35	10-18266	Hydraulic connecting pipe
36	10-18267	Catwalk connector
37	10-19984	self-tapping screw, #14 x 1/2" type B
38	10-19985	Bolt, 1/4" - 20 x 1-1/2", grade 2
39	10-19538	Bolt, 5/16" - 18 x 3/4", grade 2
40	10-19992	Bolt, 5/16" - 18 x 2", grade 8
41	10-19540	Bolt, 3/8" - 16 x 3/4", grade 2
42	10-19986	Shoulder bolt, 3/8" - 16 x 1-5/8"
43	10-19542	Bolt, 7/16" - 14 x 1", grade 5
44	10-19594	Washer locknut, 1/4" - 20
45	10-19595	Washer locknut, 5/16" - 18
46	10-19596	Washer locknut, 3/8" - 16
47	10-19598	Locknut, 7/16" - 14
48	10-19596	Lockwasher, 3/8"
49	10-19463	Hitch pin
50	10-18554	Angle stiffener

# FERTILIZER TANK, DF350&DF500



# FERTILIZER TANK, DF350&DF500

ITEM	PART NO.	DESCRIPTION
1	10-11579	Floor extension panel (5 ton tank)
2	10-11569	Floor panel A
3	10-11570	Floor panel B
4	10-11576	End gate panel
5	10-11572	End panel
6	10-11571	Side panel A
7	10-11567	Side panel B
8	10-11580	Side extension panel (5 ton tank)
9	10-11568	Top panel A
10	10-11573	Top panel B
11	10-11574	Center panel, top front
12	10-11575	Center panel, top rear
13	10-11581	Extension panel, top (5 ton tank)
14	10-11577	Lid (3-1/2 ton tank)
15	10-11578	Lid (5 ton tank)
16	10-11589	Brace, tube
17	10-11587	Brace, angle
18	10-11582	Connector strip (3-1/2 ton tank)
19	10-11585	Gate
20	10-11588	Shim
21	10-11584	Outer guide, gate
22	10-11583	Inner guide, gate
23	10-11591	Lift strap
24	10-11590	Latch
25	10-18091	Bolt, 5/16" - 18 x 1", grade 2
26	10-19980	Locknut, 5/16" - 18
27	10-19537	Bolt, 1/4" - 20 x 1/2", grade 2
28	10-19594	Washer locknut, 1/4" - 20
29	10-19988	Bolt, 1/4" - 20 x 1", grade 2
30	10-19542	Bolt, 7/16" - 14 x 1", grade 5
31	10-19598	Locknut, 7/16" - 14
32	10-18372	DF101-3 carton

# **WESTFIELD**

Westfield Industries is a Division of Ag Growth Industries Partnership  
Part of the Ag Growth International Inc. Group

P.O. Box 39

Rosenort, Manitoba, Canada R0G 1W0

Phone: (866) 467-7207 (Canada & USA)

Fax: (866) 768-4852

website: [www.grainaugers.com](http://www.grainaugers.com)

email: [sales@grainaugers.com](mailto:sales@grainaugers.com)

© Ag Growth International 2015



Printed in Canada