



LOW-PROFILE TRANSFERS

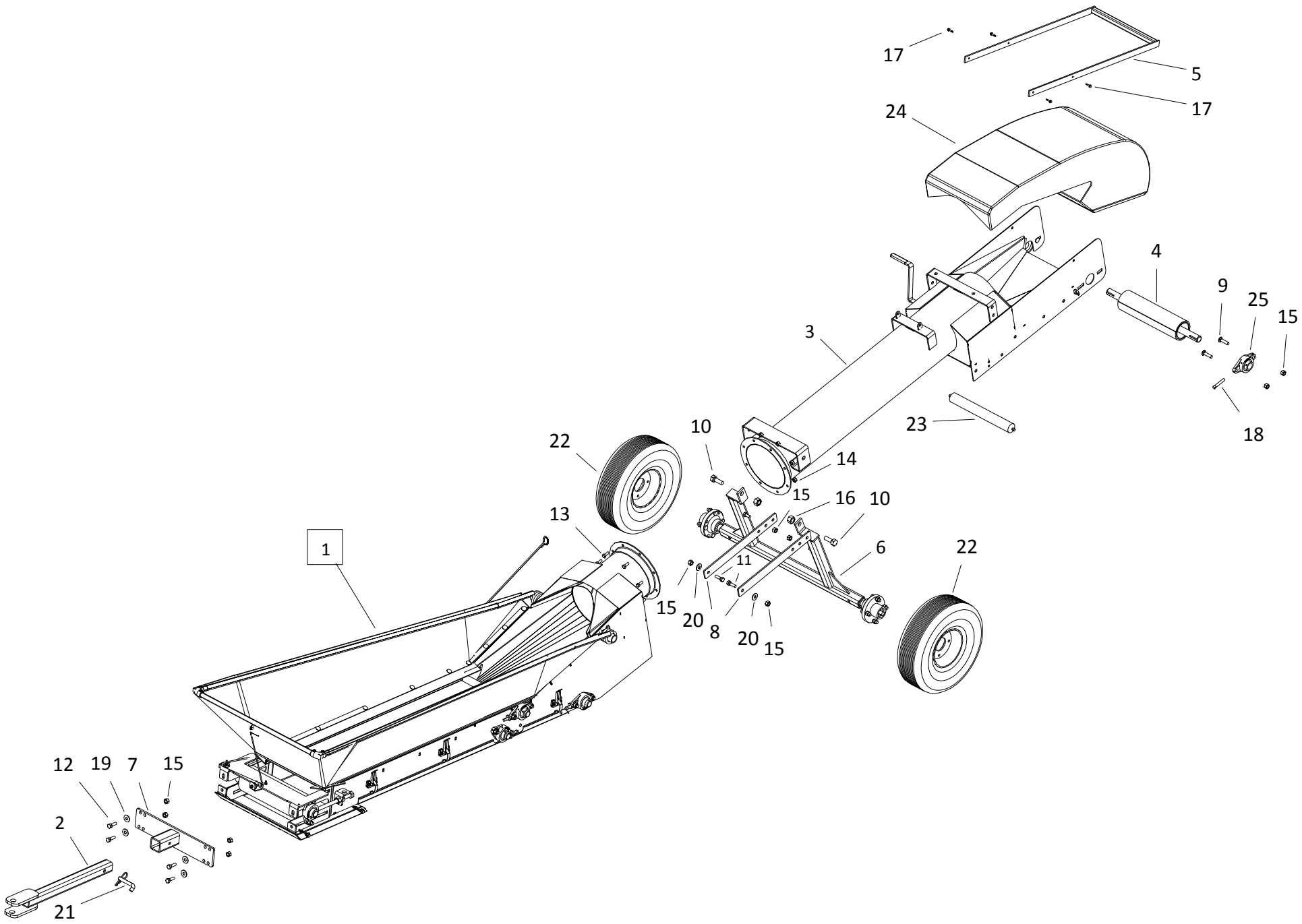
PARTS MANUAL

BCX2 1515 LP, FX 1515 LP, 1314 LP, 1515 LP, 1814 LP

TABLE OF CONTENTS

DESCRIPTION	PAGE
BCX ² 1515 LP (15001536)	4
HOPPER	6
HYDRAULIC DRIVE KIT FOR 1515LP (15000281)	10
ELECTRIC DRIVE KIT FOR 1515LP (15000273)	12
GAS DRIVE KIT FOR 1515LP (15000895)	14
FX 1515 LP (15001535)	16
FX HOPPER (15100040)	18
ELECTRIC DRIVE KIT (15000273)	22
GAS DRIVE KIT (15000895)	24
HYDRAULIC DRIVE KIT (15000281)	26
1314 LP (13001400)	28
HOPPER (13000320)	30
HYDRAULIC DRIVE KIT (13000280)	32
ELECTRIC DRIVE KIT (13000270)	34
1515 LP (15001500)	36
HOPPER (15000320)	38
HYDRAULIC DRIVE KIT (15000281)	40
ELECTRIC DRIVE KIT (15000271)	42
GAS DRIVE KIT (15000290)	44
1814 LP (18001400)	46
HOPPER (18000320)	48
HYDRAULIC DRIVE KIT FOR 1814LP & TD (18000281)	50
18" PITSTOP ELECTRIC DRIVE KIT (25001001)	52
GAS DRIVE KIT (18000290)	54

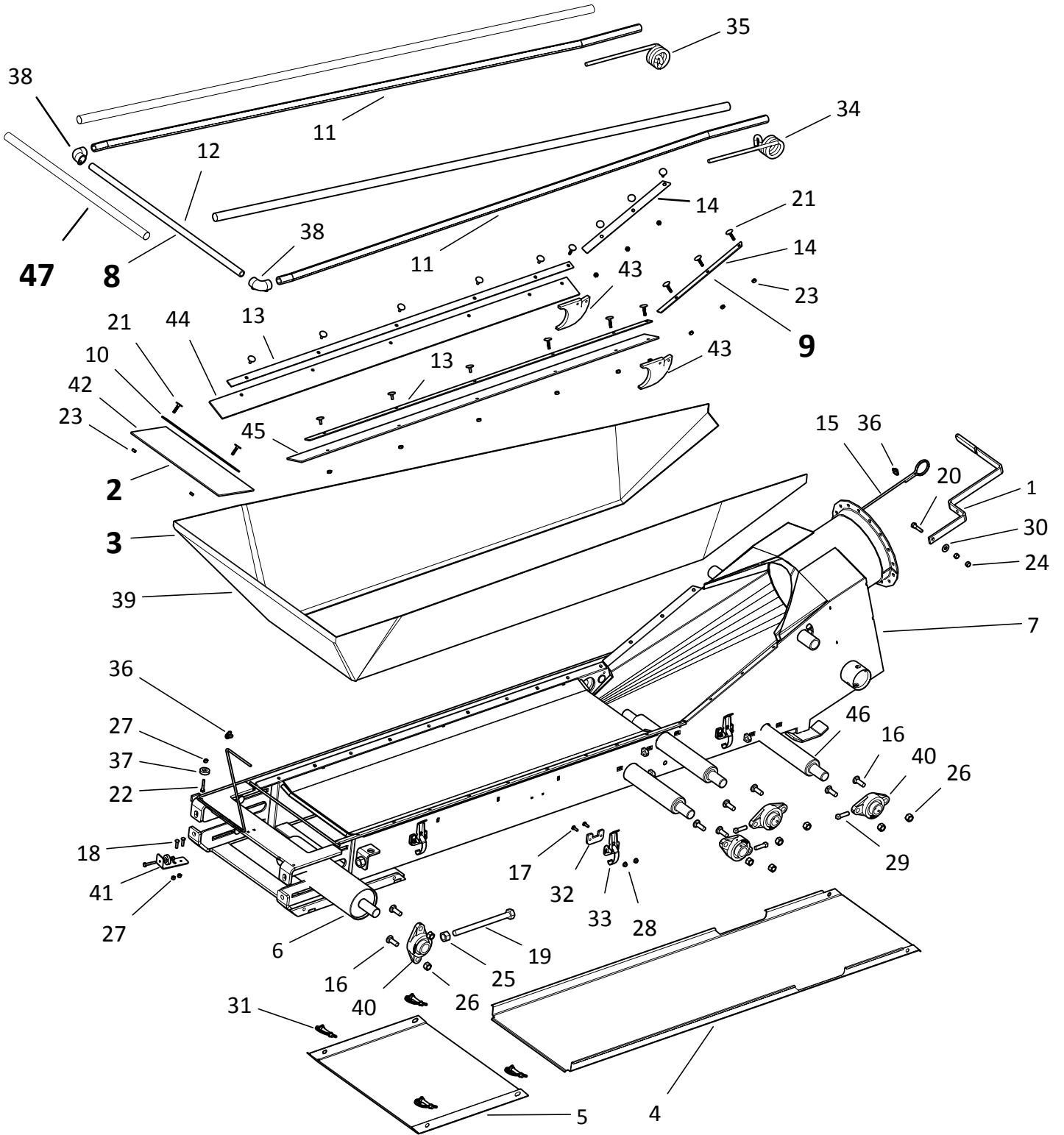
BCX² 1515 LP (15001536)



BCX² 1515 LP (15001536)

ITEM	PART NO.	DESCRIPTION
1	15000323	BCX2 HOPPER TYPE TRANSFER
2	13030001	STRAIGHT TONGUE
3	15020216	TRANSFER SPOUT NEW 5'
4	15070013	SPOUT DRIVE ROLLER-1-1/4" LAGGED
5	15100004	TRANSFER SPOUT HANDLE
6	15100005	TRANSFER FRAME (WITH 8 LUGS)
7	15100011	TRANSFER HITCH
8	15102002	WHEEL STRUT
9	P0113001	CARRIAGE BOLT 1/2"X2" PLATED
10	P0115111	BOLT 3/4" X 2" GR8 PLATED
11	P0118013	BOLT 1/2"X1 1/2" GR.8 PLATED
12	P0118016	BOLT 1/2" X 2" GR8 PLATED
13	P0118076	BOLT 7/16"X1" GRADE 8 PLATED
14	P0134007	LOCKNUT-NYLON-7/16"
15	P0134008	LOCKNUT-NYLON-1/2"
16	P0134029	LOCKNUT-NYLON-3/4" GRADE 8
17	P0141002	TEK SCREW 1/4"X1"
18	P0145002	SET SCREW-7/16"X2-1/2"SQ.HD.
19	P0151012	FLAT WASHER 7/16"PLATED USS
20	P0151029	FLAT WASHER 1/2"PLATED USS
21	P0162019	HITCH PIN 5/8" X 3" W/ HAIR PIN
22	P0615304	TIRE ASSEMBLY 570X8 LRC
23	P1021006	ROLLER HEX 15-7/8"
24	P1211503	HOOD-SQUARE 15 SERIES
25	P1711002	FLANGE UNIT-1-1/4"-SAFL206-20

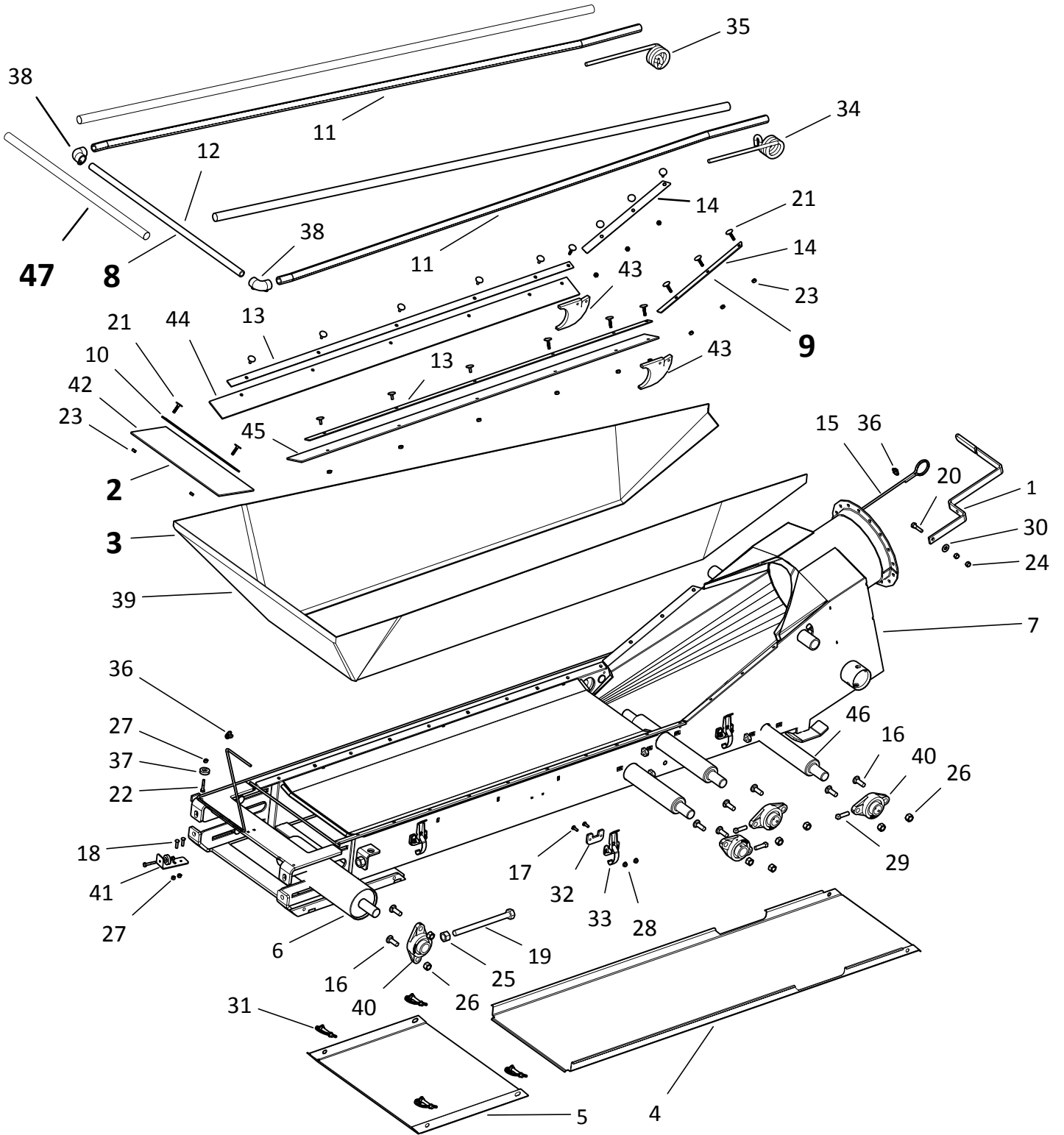
HOPPER



HOPPER

ITEM	PART NO.	DESCRIPTION
1	13100029	EXTENDED HOPPER HANDLE
2	15000292	FX-HOPPER -FLASHING ONLY FL
3	15000295	BCX2 HOPPER-COLLAPSABLE FL FMD
4	15042303	BCX2 FL UNDERSIDE COVER MAIN
5	15042304	BCX2 FL UNDERSIDE COVER FRONT
6	15070012	TAKE-UP ROLLER-1-1/4" LAGGED
7	15100016	BCX2 TRANSFER HOPPER
8	15100126	CX2 HOPPER CLOTH FRAME-UPPER KIT
9	15100127	CX2 HOPPER CLOTH FRAME-LOWER KIT
10	15102058	LOWER CLOTH FRAME TR FRONT
11	15102068	FX2 UPPER CLOTH FRAME SIDES
12	15102069	FX2 UPPER CLOTH FRAME FRONT
13	15102189	15FL LOWER CLOTH FRAME SIDE
14	15102199	CX2 LOWER CLOTH FRAME TRANS
15	15103231	CABLE 1/8" 7X19 GAC (18.25')
16	P0113004	CARRIAGE BOLT 1/2"X1-1/2"PLATED
17	P0113022	CARRIAGE BOLT 1/4"X3/4" GR2 PLATED
18	P0113025	BOLT CARRIAGE 1/4"X1" PLATED F/T
19	P0114010	TAP BOLT 3/4 X 9 UNC GR.5 PLATED
20	P0115113	BOLT 3/8" X 1-1/2" GR8 PLATED
21	P0116001	ELEVATOR BOLT 1/4"X1-1/4"
22	P0118026	BOLT 1/4" X 1-1/2" GR8 PLATED
23	P0131016	NUT 1/4" PLATED GRADE 8
24	P0131018	NUT 3/8" PLATED GRADE 8
25	P0131019	NUT 3/4" PLATED GRADE 8
26	P0134008	LOCKNUT-NYLON-1/2"
27	P0134023	LOCKNUT-NYLON-1/4" GR8
28	P0134104	LOCKNUT-TENSILOCK-1/4" GR 5
29	P0145004	SET SCREW-7/16"X1-1/2"SQ.HD.PLATED
30	P0151009	FLAT WASHER 3/8"PLATED USS
31	P0163015	PIN 3/8" X 1-3/8" LOCKING
32	P0184040	SPACER, TENSION CLAMP
33	P0184041	TENSION CLAMP, LATCH
34	P0521005	HOPPER SPRING-L-.437
35	P0521006	HOPPER SPRING-R-.437
36	P0712104	CABLE CLAMP-1/8" GALV.
37	P0713104	CABLE SHEAVE-1-1/4" W/BEARING
38	P0871013	ELBOW-RAIL FTNG FOR 1/2" SCH PIPE
39	P1621043	BCX2 CANVAS-15FL
40	P1711002	FLANGE UNIT-1-1/4"-SAFL206-20
41	15102084	CX2 TR CABLE SHEAVE BRACKET
42	P19159012	FRONT HOPPER FLASHING
43	P19159020	FX-HOPPER SIDE FLASHING
44	P19159021	FX-15FL HOPPER FLASHING LH
45	P19159022	FX-15FL HOPPER FLASHING RH
46	P20315003	FX-15FL TRANSITION ROLLER

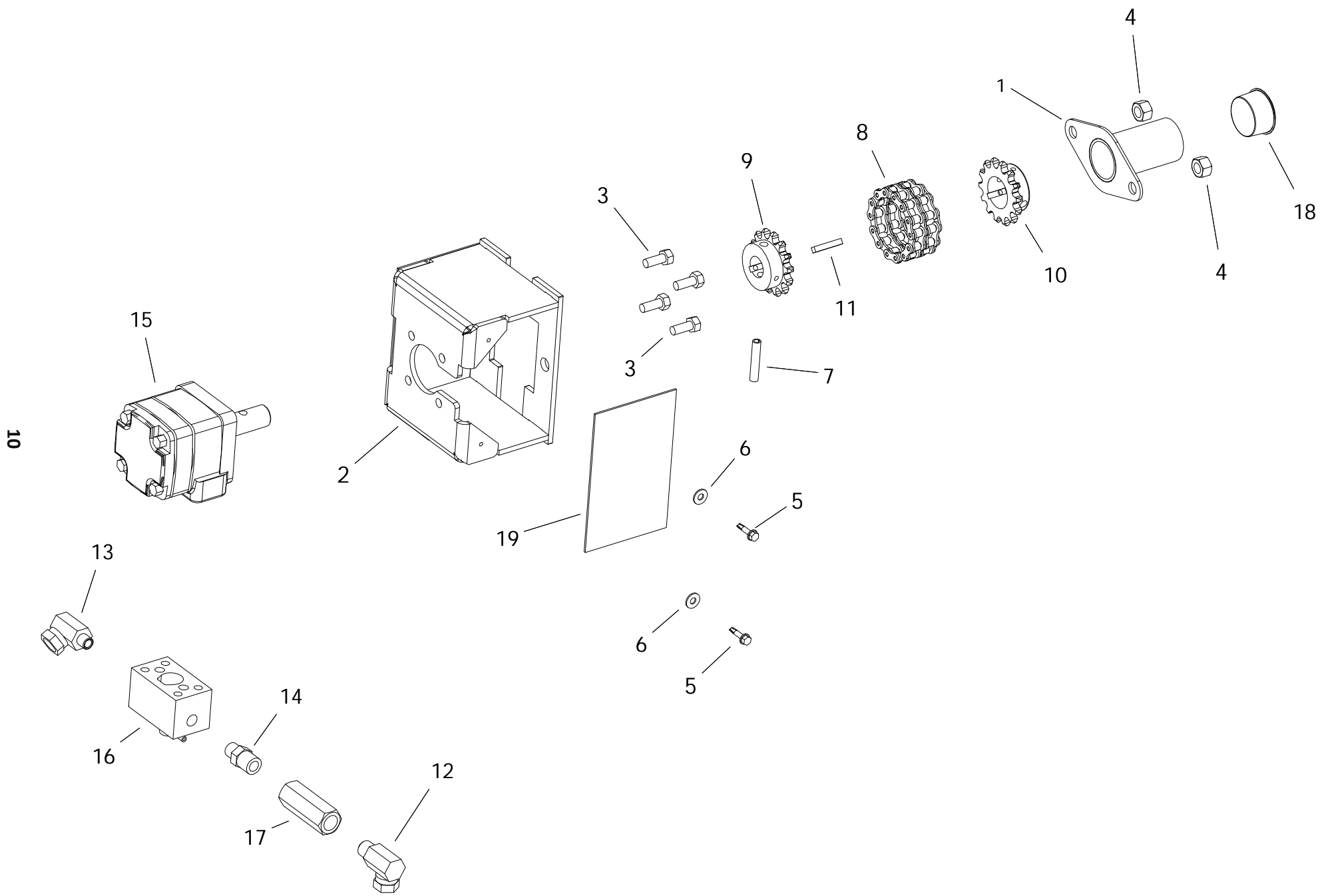
HOPPER



HOPPER

ITEM	PART NO.	DESCRIPTION
47	15556802	SPLIT LOOM 15.875FT

HYDRAULIC DRIVE KIT FOR 1515LP (15000281)



HYDRAULIC DRIVE KIT FOR 1515LP (15000281)

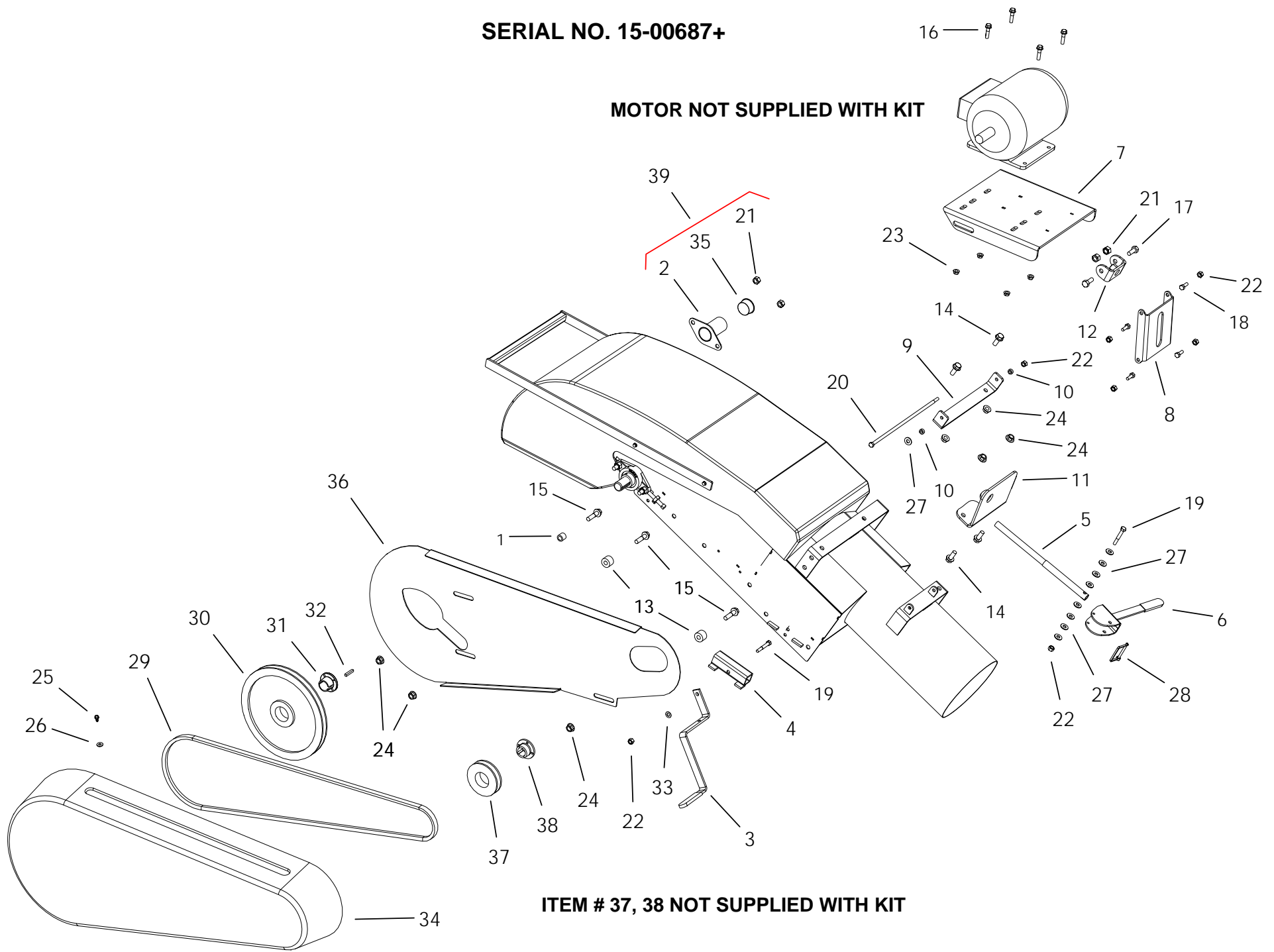
ITEM	PART NO.	DESCRIPTION
1	13041038	SHAFT GUARD(FL-206)
2	13060001	HYD MOTOR MOUNT 1314
3	P0115055	Bolt Hex 3/8 x 3/4
4	P0134008	LOCKNUT-NYLON-1/2"
5	P0141002	TEK SCREW 1/4"X1"
6	P0151006	FLAT WASHER 1/4"PLATED USS
7	P0167002	SPRING PIN 3/8" X 2"
8	P0311001	ROLLER CHAIN FOR DRIVE(50-2RX14+CL)
9	P0335140	SPROCKET 5014 1.0(KEY0.25)
10	P0335141	SPROCKET 5014 1.25(KEY0.25)
11	P0391003	KEY 1/4" X 1-1/2" LONG
12	P0820001	SWIVEL-1/2"90 DEGREE
13	P0820008	SWIVEL-3/8"MPTX1/2"FPT/90D
14	P0821134	NIPPLE-1/2"MPT-3/8"MPT-HEX
15	P0841010	HYD MOTOR-6.3 (5.9H) RS-MAN HOLE
16	P0861004	VALVE-SPEED CONT.
17	P0861035	CHECK VALVE-1/2" (NO HOLE)
18	P1210032	FL-206 SHAFT GUARD PLUG
19	P1210100	1 1/4 HYDMTR GUARD 4.5 X 6.5

SERIAL NO. 15-00687+

MOTOR NOT SUPPLIED WITH KIT

ITEM # 37, 38 NOT SUPPLIED WITH KIT

ELECTRIC DRIVE KIT FOR 1515LP (15000273)



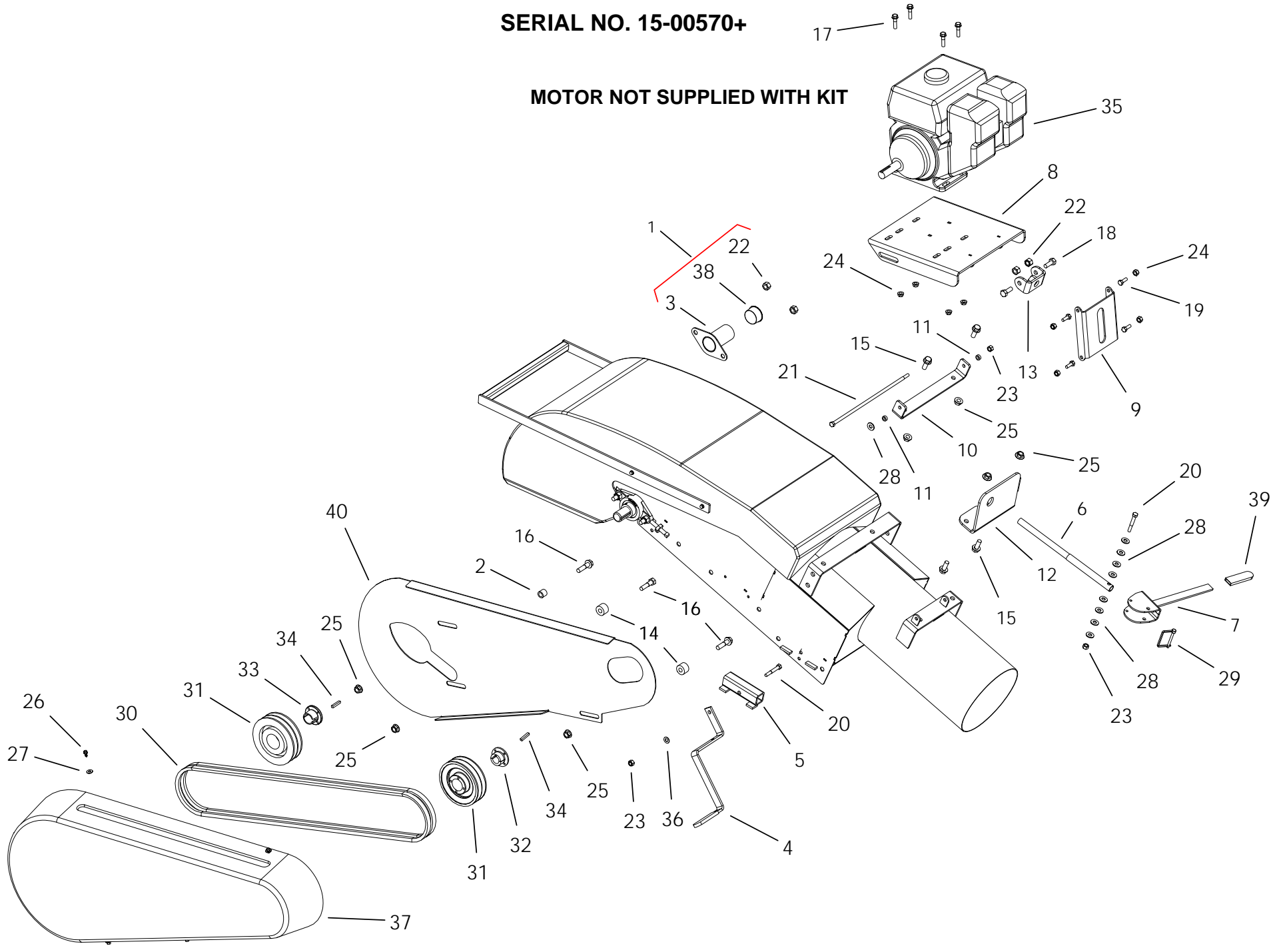
ELECTRIC DRIVE KIT FOR 1515LP (15000273)

ITEM	PART NO.	DESCRIPTION
0	15000273	ELECTRIC DRIVE KIT FOR 1515LP
1	13012185	PIPE-1/2" SCH80 (3/4")
2	13041038	SHAFT GUARD(FL-206)
3	13100008	HOPPER HANDLE
4	13100032	GAS MT HANDLE SPACER
5	13100070	PIVOT HANDLE SHAFT-EXT
6	13100072	PIVOT HANDLE EXT
7	15060110	MOTOR MOUNT WELD
8	15060111	MOUNT ANGLE PLATE PAINT
9	15060113	ANGLE BRACKET PAINT
10	15060133	SLIDE BUSHING
11	15060136	MOUNT ANGLE WELD
12	15060137	NUT PIVOT
13	15062407	IDLER SPACER
14	P0115200	BOLT FLANGE 1/2 X 1-1/4" PLATED
15	P0115201	BOLT FLANGE 1/2 X 2" PLATED F/T
16	P0115206	BOLT FLANGE 3/8 X 1-1/2" PLATED
17	P0118020	BOLT 1/2" X 1-1/4" GR8 PLATED
18	P0118046	BOLT 3/8" X 1" GR8 PLATED
19	P0118051	BOLT 3/8" X 2-1/2" GR8 PLATED
20	P0118111	BOLT 3/8" X 15" GR8 PLATED
21	P0134008	LOCKNUT-NYLON-1/2"
22	P0134026	LOCKNUT-NYLON-3/8" GRADE 8
23	P0134106	LOCKNUT-TENSILOCK-3/8"
24	P0134108	LOCKNUT-TENSILOCK-1/2"
25	P0141002	TEK SCREW 1/4"X1"
26	P0151006	FLAT WASHER 1/4"PLATED USS
27	P0151009	FLAT WASHER 3/8"PLATED USS
28	P0163010	QUICK PIN 1/4X2-1/2
29	P0321087	BELT B87
30	P0328044	PULLEY-SINGLE-12"
31	P0340320	HUB-H 1-1/4"
32	P0391003	KEY 1/4" X 1-1/2" LONG
33	P1210010	Washer Nylon 3/8 USS
34	P1210021	PULLEY GUARD -46.5"L -7" TO 16"
35	P1210032	FL-206 SHAFT GUARD PLUG
36	P11150773	GUARD BACK PLATE
37	P0328055	PULLEY-SNGL-BK-4"H
38	P0340318	HUB-H 1-1/8"
39	1300035X	SHAFT GUARD FL-206 ASSY KIT

SERIAL NO. 15-00570+

MOTOR NOT SUPPLIED WITH KIT

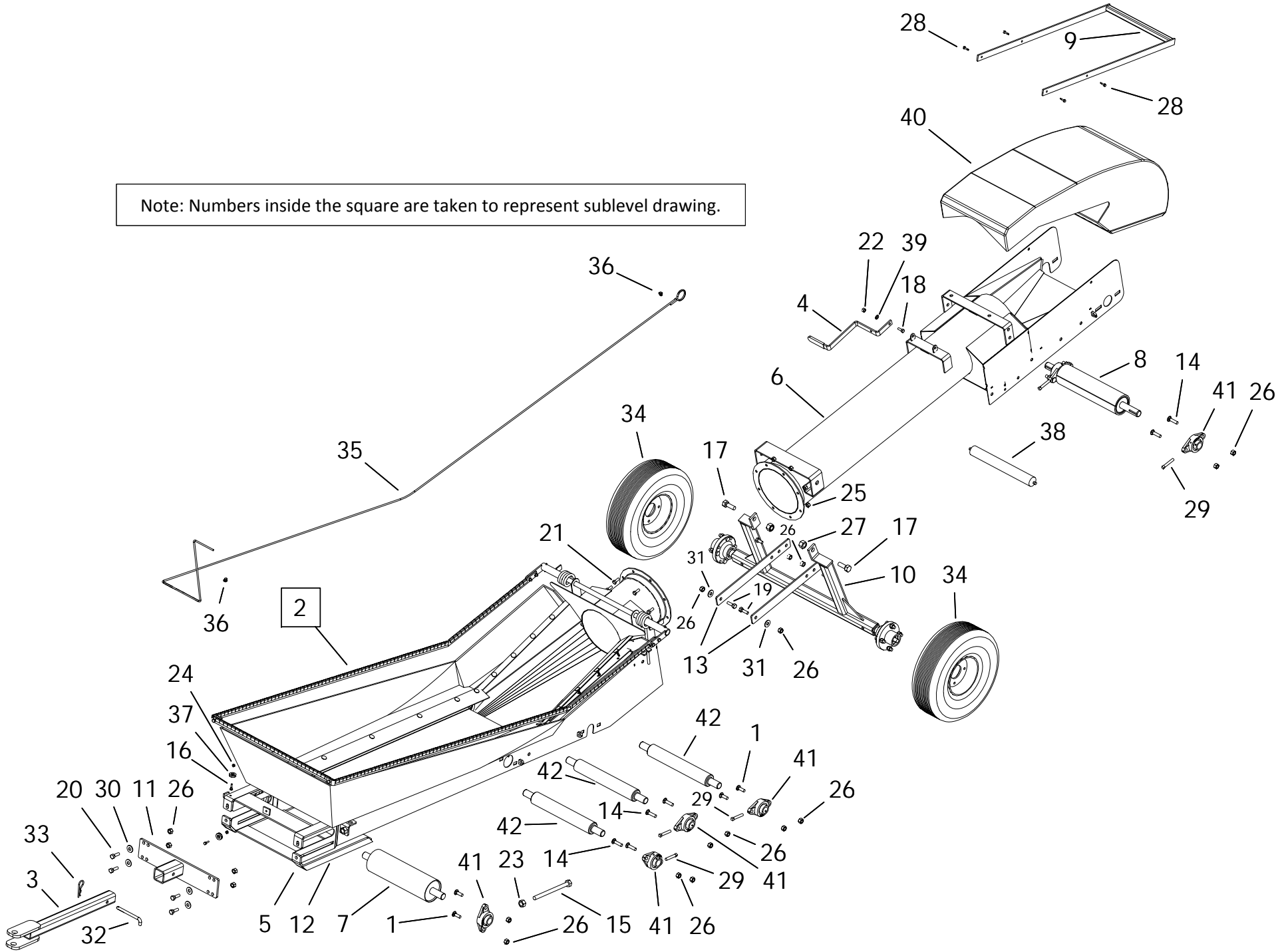
GAS DRIVE KIT FOR 1515LP (15000895)



GAS DRIVE KIT FOR 1515LP (15000895)

ITEM	PART NO.	DESCRIPTION
0	15000895	GAS DRIVE KIT FOR 1515LP
1	1300035X	SHAFT GUARD FL-206 ASSY KIT
2	13012185	PIPE-1/2" SCH80 (3/4")
3	13041038	SHAFT GUARD(FL-206)
4	13100008	HOPPER HANDLE
5	13100032	GAS MT HANDLE SPACER
6	13100070	PIVOT HANDLE SHAFT-EXT
7	13100072	PIVOT HANDLE EXT
8	15060110	MOTOR MOUNT WELD
9	15060111	MOUNT ANGLE PLATE PAINT
10	15060113	ANGLE BRACKET PAINT
11	15060133	SLIDE BUSHING
12	15060136	MOUNT ANGLE WELD
13	15060137	NUT PIVOT
14	15062407	IDLER SPACER
15	P0115200	BOLT FLANGE 1/2 X 1-1/4" PLATED
16	P0115201	BOLT FLANGE 1/2 X 2" PLATED F/T
17	P0115206	BOLT FLANGE 3/8 X 1-1/2" PLATED
18	P0118020	BOLT 1/2" X 1-1/4" GR8 PLATED
19	P0118046	BOLT 3/8" X 1" GR8 PLATED
20	P0118051	BOLT 3/8" X 2-1/2" GR8 PLATED
21	P0118111	BOLT 3/8" X 15" GR8 PLATED
22	P0134008	LOCKNUT-NYLON-1/2"
23	P0134026	LOCKNUT-NYLON-3/8" GRADE 8
24	P0134106	LOCKNUT-TENSILOCK-3/8"
25	P0134108	LOCKNUT-TENSILOCK-1/2"
26	P0141002	TEK SCREW 1/4"X1"
27	P0151006	FLAT WASHER 1/4"PLATED USS
28	P0151009	FLAT WASHER 3/8"PLATED USS
29	P0163010	QUICK PIN 1/4X2-1/2
30	P0321085	BELT B85
31	P0328023	PULLEY-DOUBLE-6"
32	P0340316	HUB-H 1"
33	P0340320	HUB-H 1-1/4"
34	P0391003	KEY 1/4" X 1-1/2" LONG
35	P1031033	ENGINE-9 H.P.HONDA 6:1
36	P1210010	Washer Nylon 3/8 USS
37	P1210021	PULLEY GUARD -46.5"L -7" TO 16"
38	P1210032	FL-206 SHAFT GUARD PLUG
39	P1211303	Rubber Handle Cover 1/4 x 1
40	P11150773	GUARD BACK PLATE

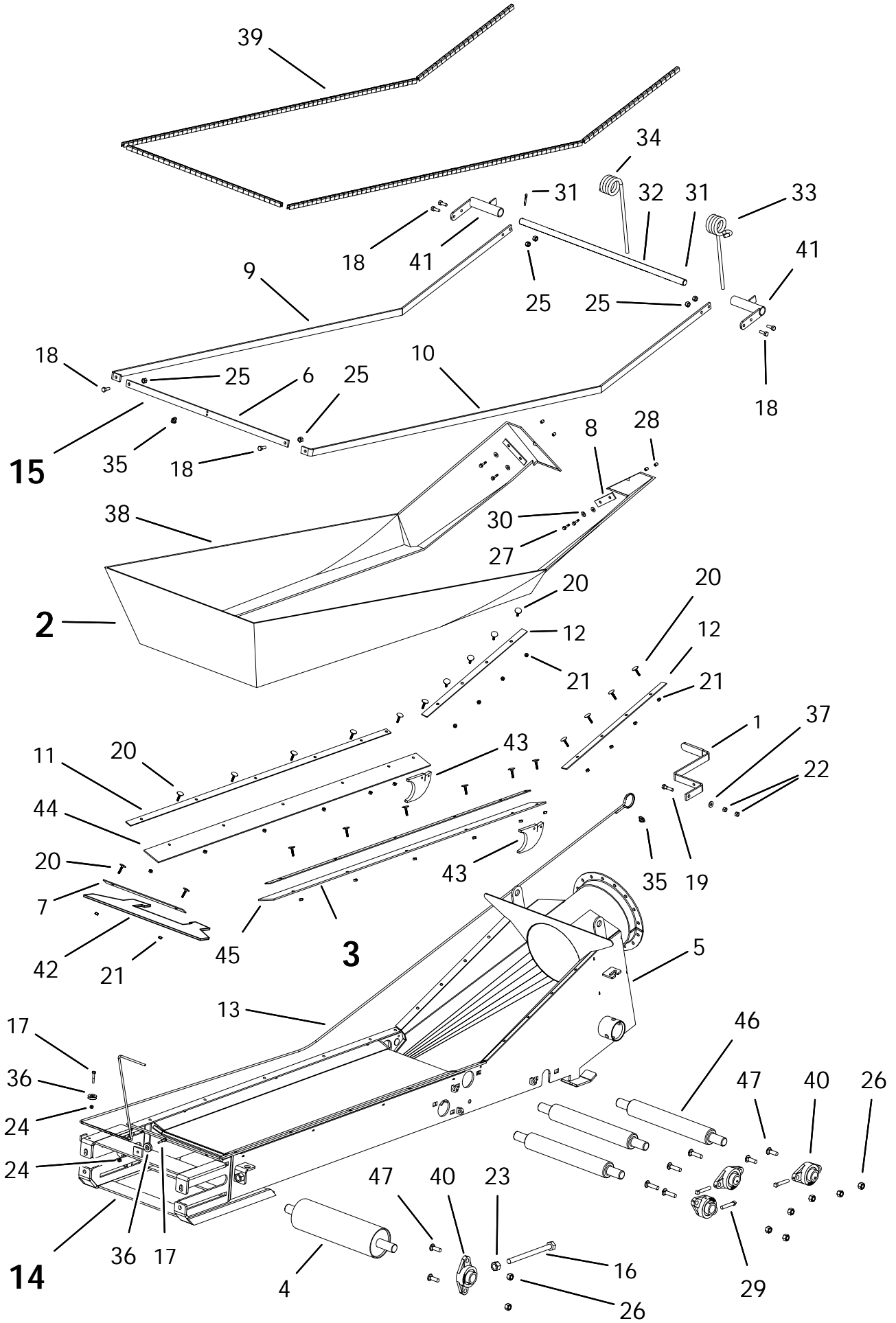
Note: Numbers inside the square are taken to represent sublevel drawing.



FX 1515 LP (15001535)

ITEM	PART NO.	DESCRIPTION
1	P0113004	CARRIAGE BOLT 1/2"X1-1/2"PLATED
2	1555687X	FX-HOPPER -COLLAPSABLE FL FMD
3	13030001	STRAIGHT TONGUE
4	13100008	HOPPER HANDLE
5	15000325	FX-HOPPER WITH ROLLERS -TRANSFER
6	15020216	TRANSFER SPOUT NEW 5'
7	15070012	TAKE-UP ROLLER-1-1/4" LAGGED
8	15070013	SPOUT DRIVE ROLLER-1-1/4" LAGGED
9	15100004	TRANSFER SPOUT HANDLE
10	15100005	TRANSFER FRAME (WITH 8 LUGS)
11	15100011	TRANSFER HITCH
12	15100015	TRANSFER FX HOPPER
13	15102002	WHEEL STRUT
14	P0113001	CARRIAGE BOLT 1/2"X2" PLATED
15	P0114006	TAP BOLT 3/4 X 5 PLATED
16	P0118026	BOLT 1/4" X 1-1/2" GR8 PLATED
17	P0115111	BOLT 3/4" X 2" GR8 PLATED
18	P0118046	BOLT 3/8" X 1" GR8 PLATED
19	P0118013	BOLT 1/2"X1 1/2" GR.8 PLATED
20	P0118016	BOLT 1/2" X 2" GR8 PLATED
21	P0118076	BOLT 7/16"X1" GRADE 8 PLATED
22	P0131018	NUT 3/8" PLATED GRADE 8
23	P0131019	NUT 3/4" PLATED GRADE 8
24	P0134023	LOCKNUT-NYLON-1/4" GR8
25	P0134007	LOCKNUT-NYLON-7/16"
26	P0134008	LOCKNUT-NYLON-1/2"
27	P0134029	LOCKNUT-NYLON-3/4" GRADE 8
28	P0141002	TEK SCREW 1/4"X1"
29	P0145002	SET SCREW-7/16"X2-1/2"SQ.HD.
30	P0151012	FLAT WASHER 7/16"PLATED USS
31	P0151029	FLAT WASHER 1/2"PLATED USS
32	P0162001	HITCH PIN 1/2" X 3" PLATED
33	P0163001	HAIR PIN 3/16" X 3-1/4"
34	P0615304	TIRE ASSEMBLY 570X8 LRC
35	P0711101	CABLE 1/8" 7 X 19 GAC
36	P0712104	CABLE CLAMP-1/8" GALV.
37	P0713104	CABLE SHEAVE-1-1/4" W/BEARING
38	P1021006	ROLLER HEX 15-7/8"
39	P1210010	Washer Nylon 3/8 USS
40	P1211503	HOOD-SQUARE 15 SERIES
41	P1711002	FLANGE UNIT-1-1/4"-SAFL206-20
42	P20315003	FX-15FL TRANSITION ROLLER

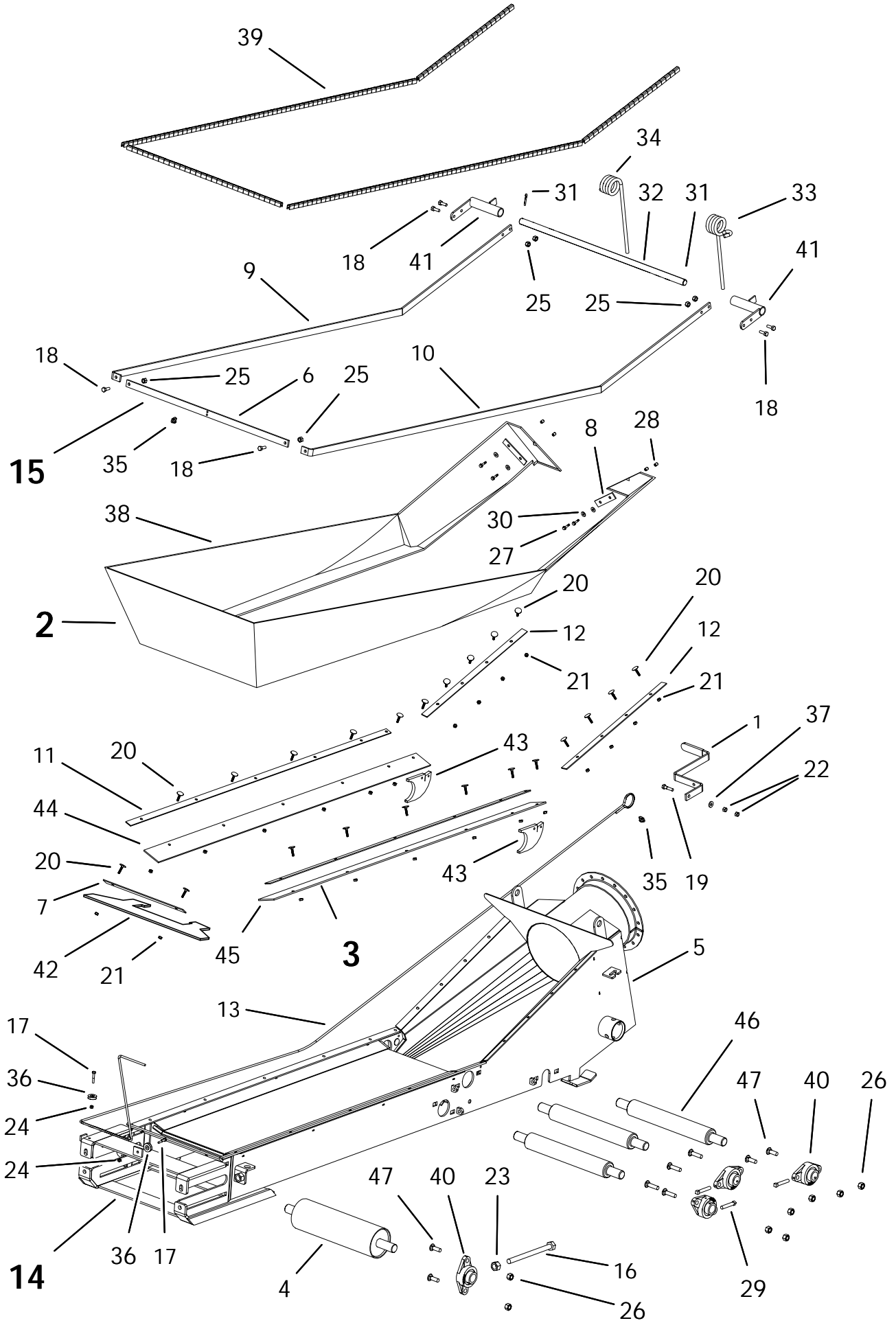
FX HOPPER (15100040)



FX HOPPER (15100040)

ITEM	PART NO.	DESCRIPTION
1	13100008	HOPPER HANDLE
2	15000291	FX HOPPER -COLLAPSABLE FL
3	15000292	FX-HOPPER -FLASHING ONLY FL
4	15070012	TAKE-UP ROLLER-1-1/4" LAGGED
5	15100040	FX-15FL HOPPER
6	15102018	UPPER CLOTH FRAME TR FRONT
7	15102058	LOWER CLOTH FRAME TR FRONT
8	15102061	LOWER CLOTH FRAME TR BACK
9	15102184	15FL UPPER CLOTH FRAME RIGHT FX
10	15102185	15FL UPPER CLOTH FRAME LEFT FX
11	15102189	15FL LOWER CLOTH FRAME SIDE
12	15102190	15FL LOWER CLOTH FRAME TRANS
13	15103229	CABLE 1/8" 7X19 GAC (18')
14	15555545	FX-15 HOPPER RLLER KIT -FL
15	15100121	HOPPER CLOTH FRAME-UPPER KIT FX
16	P0114010	TAP BOLT 3/4 X 9 UNC GR.5 PLATED
17	P0115026	BOLT 1/4" X 1-1/2" GR5 PLATED
18	P0115046	BOLT 3/8"X1" GRADE 5 PLATED
19	P0115047	BOLT 3/8"X1-1/2" GRADE 5 PLATED
20	P0116001	ELEVATOR BOLT 1/4"X1-1/4"
21	P0131016	NUT 1/4" PLATED GRADE 8
22	P0131006	NUT 3/8" PLATED
23	P0131112	NUT 3/4"PLATED
24	P0134004	LOCKNUT-NYLON-1/4"
25	P0134026	LOCKNUT-NYLON-3/8" GRADE 8
26	P0134008	LOCKNUT-NYLON-1/2"
27	P0141002	TEK SCREW 1/4"X1"
28	P0145001	VINYL SCREW CAP
29	P0145004	SET SCREW-7/16"X1-1/2"SQ.HD.PLATED
30	P0151006	FLAT WASHER 1/4"PLATED USS
31	P0161003	COTTER PIN 3/16"X1-1/2"PLATED
32	P0162007	HOPPER PIVOT SHAFT-13/15
33	P0521005	HOPPER SPRING-L-.437
34	P0521006	HOPPER SPRING-R-.437
35	P0712104	CABLE CLAMP-1/8" GALV.
36	P0713104	CABLE SHEAVE-1-1/4" W/BEARING
37	P1210010	Washer Nylon 3/8 USS
38	P1621024	HOPPER CANVAS FX15FL
39	P1641015	TRIM LOCK
40	P1711002	FLANGE UNIT-1-1/4"-SAFL206-20
41	P2515017	PIVOT SHAFT BRACKET
42	P19159012	FRONT HOPPER FLASHING
43	P19159020	FX-HOPPER SIDE FLASHING
44	P19159021	FX-15FL HOPPER FLASHING LH
45	P19159022	FX-15FL HOPPER FLASHING RH
46	P20315003	FX-15FL TRANSITION ROLLER

FX HOPPER (15100040)



FX HOPPER (15100040)

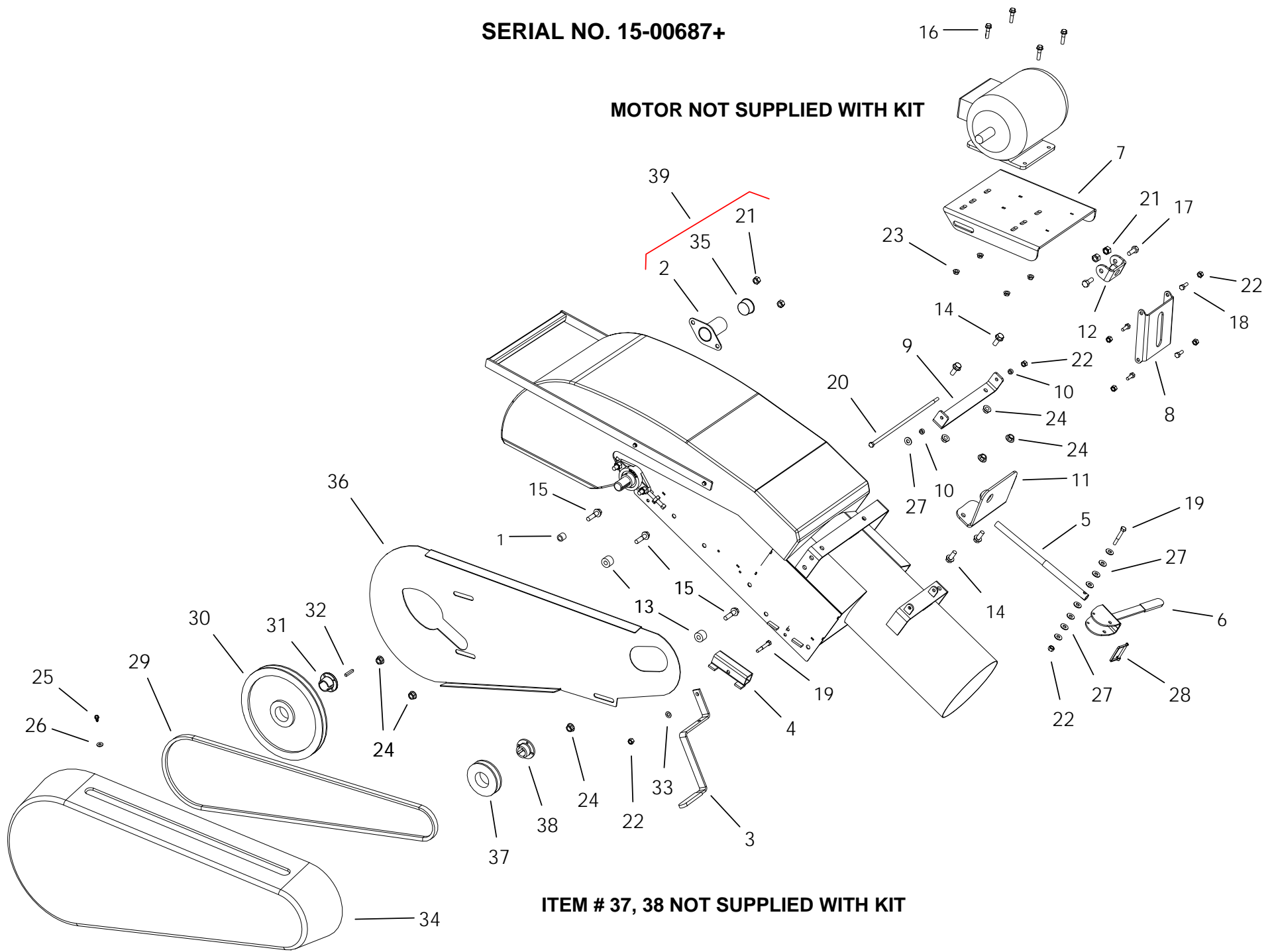
ITEM	PART NO.	DESCRIPTION
47	P0113004	CARRIAGE BOLT 1/2"X1-1/2"PLATED

SERIAL NO. 15-00687+

MOTOR NOT SUPPLIED WITH KIT

ITEM # 37, 38 NOT SUPPLIED WITH KIT

ELECTRIC DRIVE KIT (15000273)

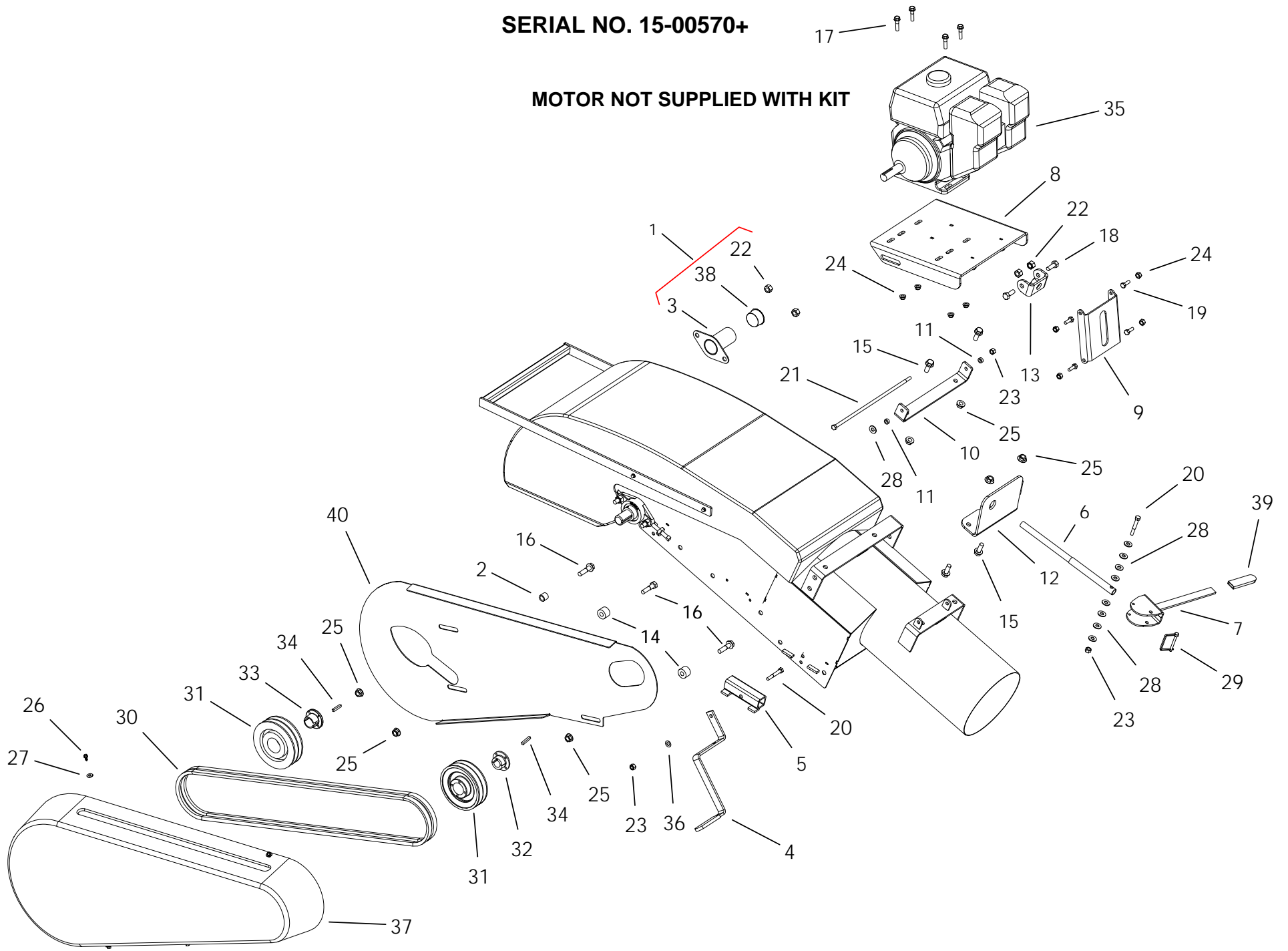


ELECTRIC DRIVE KIT (15000273)

ITEM	PART NO.	DESCRIPTION
	15000273	ELECTRIC DRIVE KIT FOR 1515LP
1	13012185	PIPE-1/2" SCH80 (3/4")
2	13041038	SHAFT GUARD(FL-206)
3	13100008	HOPPER HANDLE
4	13100032	GAS MT HANDLE SPACER
5	13100070	PIVOT HANDLE SHAFT-EXT
6	13100072	PIVOT HANDLE EXT
7	15060110	MOTOR MOUNT WELD
8	15060111	MOUNT ANGLE PLATE PAINT
9	15060113	ANGLE BRACKET PAINT
10	15060133	SLIDE BUSHING
11	15060136	MOUNT ANGLE WELD
12	15060137	NUT PIVOT
13	15062407	IDLER SPACER
14	P0115200	BOLT FLANGE 1/2 X 1-1/4" PLATED
15	P0115201	BOLT FLANGE 1/2 X 2" PLATED F/T
16	P0115206	BOLT FLANGE 3/8 X 1-1/2" PLATED
17	P0118020	BOLT 1/2" X 1-1/4" GR8 PLATED
18	P0118046	BOLT 3/8" X 1" GR8 PLATED
19	P0118051	BOLT 3/8" X 2-1/2" GR8 PLATED
20	P0118111	BOLT 3/8" X 15" GR8 PLATED
21	P0134008	LOCKNUT-NYLON-1/2"
22	P0134026	LOCKNUT-NYLON-3/8" GRADE 8
23	P0134106	LOCKNUT-TENSILOCK-3/8"
24	P0134108	LOCKNUT-TENSILOCK-1/2"
25	P0141002	TEK SCREW 1/4"X1"
26	P0151006	FLAT WASHER 1/4"PLATED USS
27	P0151009	FLAT WASHER 3/8"PLATED USS
28	P0163010	QUICK PIN 1/4X2-1/2
29	P0321087	BELT B87
30	P0328044	PULLEY-SINGLE-12"
31	P0340320	HUB-H 1-1/4"
32	P0391003	KEY 1/4" X 1-1/2" LONG
33	P1210010	Washer Nylon 3/8 USS
34	P1210021	PULLEY GUARD -46.5"L -7" TO 16"
35	P1210032	FL-206 SHAFT GUARD PLUG
36	P11150773	GUARD BACK PLATE
37	P0328055	PULLEY-SNGL-BK-4"H
38	P0340318	HUB-H 1-1/8"
39	1300035X	SHAFT GUARD FL-206 ASSY KIT

SERIAL NO. 15-00570+

MOTOR NOT SUPPLIED WITH KIT

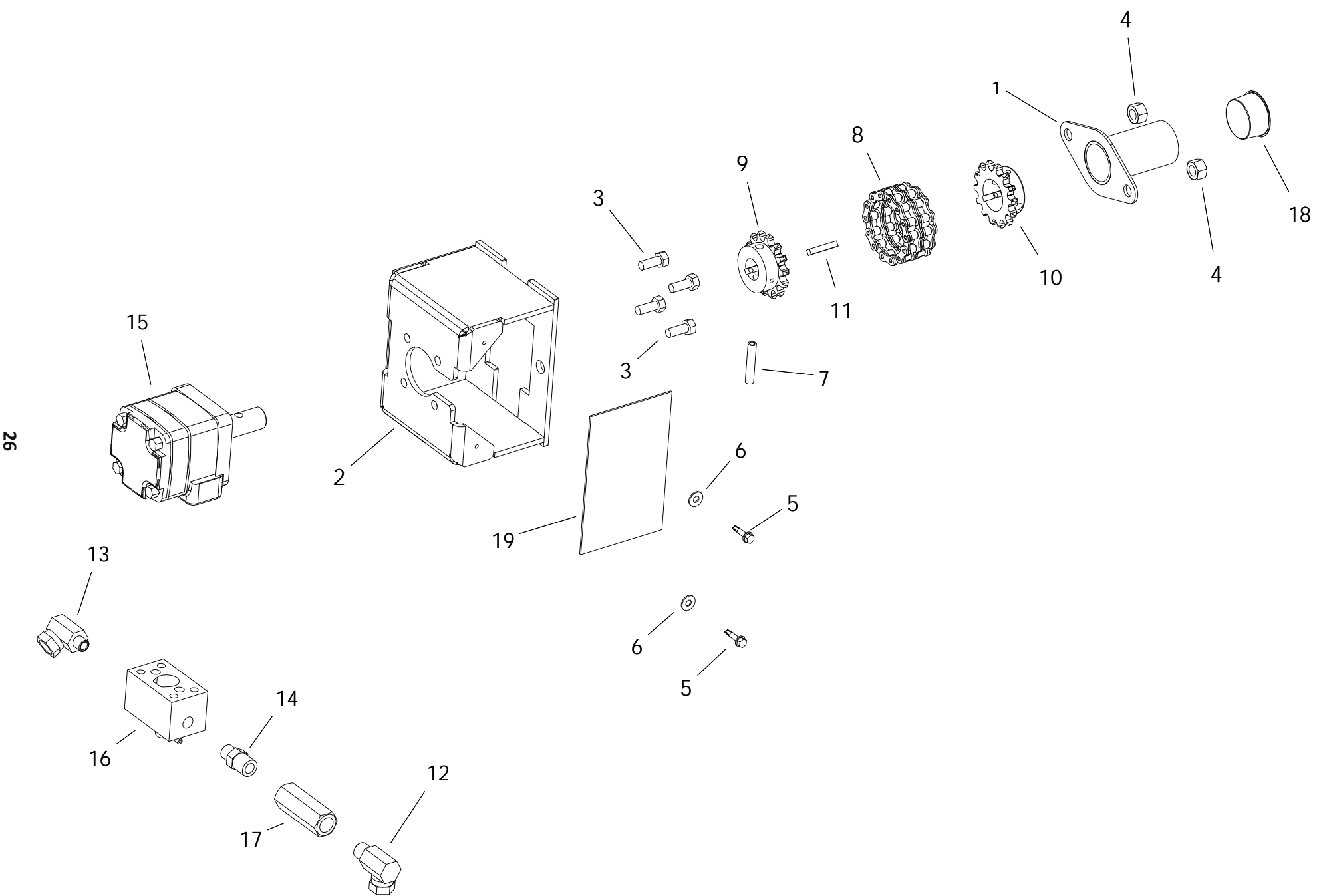


GAS DRIVE KIT (15000895)

GAS DRIVE KIT (15000895)

ITEM	PART NO.	DESCRIPTION
	15000895	GAS DRIVE KIT FOR 1515LP
1	1300035X	SHAFT GUARD FL-206 ASSY KIT
2	13012185	PIPE-1/2" SCH80 (3/4")
3	13041038	SHAFT GUARD(FL-206)
4	13100008	HOPPER HANDLE
5	13100032	GAS MT HANDLE SPACER
6	13100070	PIVOT HANDLE SHAFT-EXT
7	13100072	PIVOT HANDLE EXT
8	15060110	MOTOR MOUNT WELD
9	15060111	MOUNT ANGLE PLATE PAINT
10	15060113	ANGLE BRACKET PAINT
11	15060133	SLIDE BUSHING
12	15060136	MOUNT ANGLE WELD
13	15060137	NUT PIVOT
14	15062407	IDLER SPACER
15	P0115200	BOLT FLANGE 1/2 X 1-1/4" PLATED
16	P0115201	BOLT FLANGE 1/2 X 2" PLATED F/T
17	P0115206	BOLT FLANGE 3/8 X 1-1/2" PLATED
18	P0118020	BOLT 1/2" X 1-1/4" GR8 PLATED
19	P0118046	BOLT 3/8" X 1" GR8 PLATED
20	P0118051	BOLT 3/8" X 2-1/2" GR8 PLATED
21	P0118111	BOLT 3/8" X 15" GR8 PLATED
22	P0134008	LOCKNUT-NYLON-1/2"
23	P0134026	LOCKNUT-NYLON-3/8" GRADE 8
24	P0134106	LOCKNUT-TENSILOCK-3/8"
25	P0134108	LOCKNUT-TENSILOCK-1/2"
26	P0141002	TEK SCREW 1/4"X1"
27	P0151006	FLAT WASHER 1/4"PLATED USS
28	P0151009	FLAT WASHER 3/8"PLATED USS
29	P0163010	QUICK PIN 1/4X2-1/2
30	P0321085	BELT B85
31	P0328023	PULLEY-DOUBLE-6"
32	P0340316	HUB-H 1"
33	P0340320	HUB-H 1-1/4"
34	P0391003	KEY 1/4" X 1-1/2" LONG
35	P1031033	ENGINE-9 H.P.HONDA 6:1
36	P1210010	Washer Nylon 3/8 USS
37	P1210021	PULLEY GUARD -46.5"L -7" TO 16"
38	P1210032	FL-206 SHAFT GUARD PLUG
39	P1211303	Rubber Handle Cover 1/4 x 1
40	P11150773	GUARD BACK PLATE

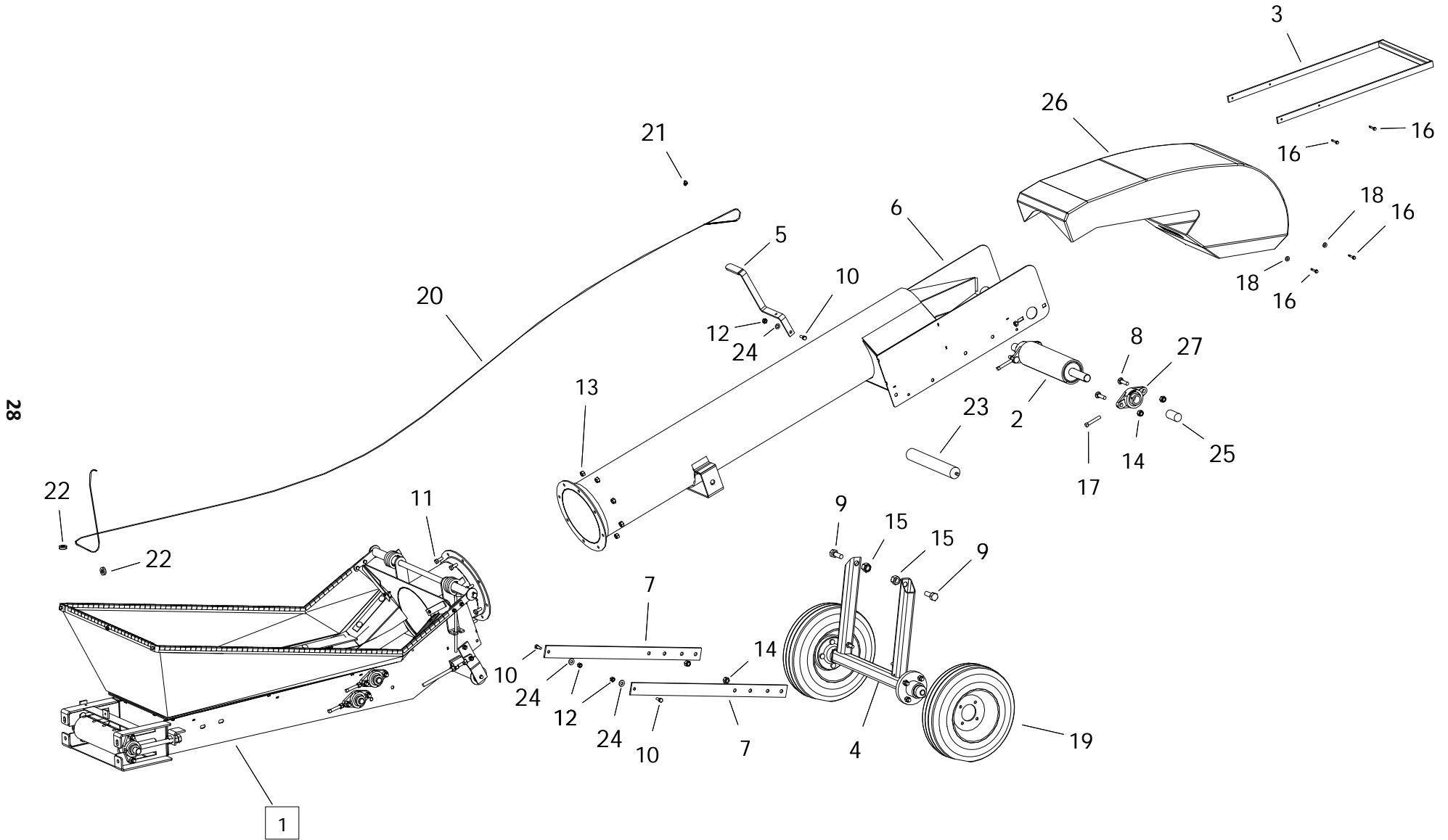
HYDRAULIC DRIVE KIT (15000281)



HYDRAULIC DRIVE KIT (15000281)

ITEM	PART NO.	DESCRIPTION
	15000281	1515LP HYDRAULIC DRIVE KIT
1	13041038	SHAFT GUARD(FL-206)
2	13060001	HYD MOTOR MOUNT 1314
3	P0118055	BOLT 3/8" X 3/4" GR8 PLATED
4	P0134008	LOCKNUT-NYLON-1/2"
5	P0141002	TEK SCREW 1/4"X1"
6	P0151006	FLAT WASHER 1/4"PLATED USS
7	P0167002	SPRING PIN 3/8" X 2"
8	P0311001	ROLLER CHAIN FOR DRIVE(50-2RX14+CL)
9	P0335140	SPROCKET 5014 1.0(KEY0.25)
10	P0335141	SPROCKET 5014 1.25(KEY0.25)
11	P0391003	KEY 1/4" X 1-1/2" LONG
12	P0820001	SWIVEL-1/2"90 DEGREE
13	P0820008	SWIVEL-3/8"MPTX1/2"FPT/90D
14	P0821134	NIPPLE-1/2"MPT-3/8"MPT-HEX
15	P0841010	HYD MOTOR-6.3 (5.9H) RS-MAN HOLE
16	P0861004	VALVE-SPEED CONT.
17	P0861035	CHECK VALVE-1/2" (NO HOLE)
18	P1210032	FL-206 SHAFT GUARD PLUG
19	P1210100	1 1/4 HYDMTR GUARD 4.5 X 6.5

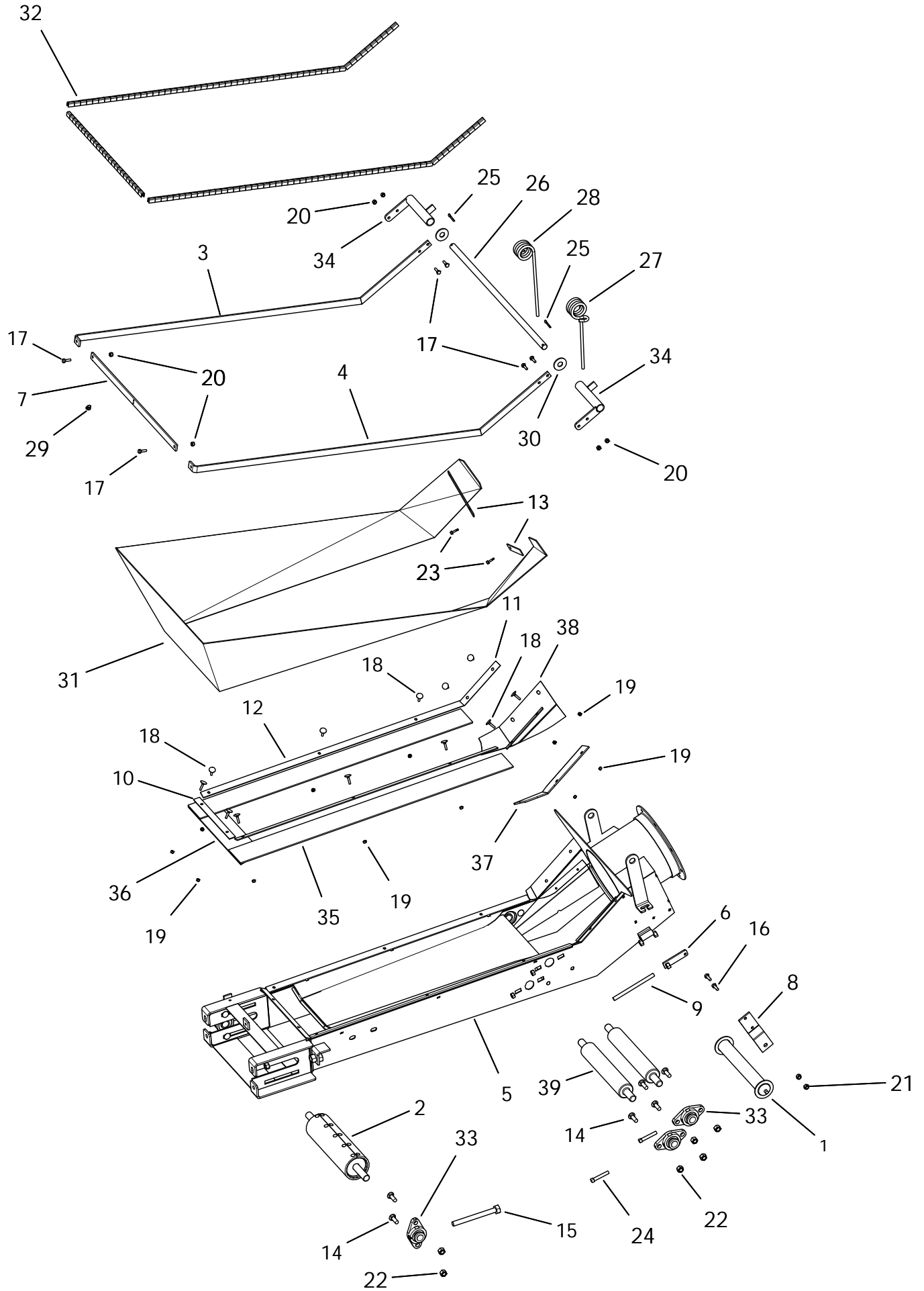
1314 LP (13001400)



1314 LP (13001400)

ITEM	PART NO.	DESCRIPTION
1	13000320	1314LP Hopper with roller & bearings
2	13070004	TRANS SPOUT DRIVE LAGGED
3	13100004	TRANSFER SPOUT HANDLE
4	13100005	TRANSFER FRAME
5	13100008	HOPPER HANDLE
6	13100009	TRANSFER SPOUT
7	13102003	WHEEL STRUT
8	P0113001	CARRIAGE BOLT 1/2"X2" PLATED
9	P0115043	Bolt Hex 3/4 x 5 1/2
10	P0118046	BOLT 3/8" X 1" GR8 PLATED
11	P0118076	BOLT 7/16"X1" GRADE 8 PLATED
12	P0134026	LOCKNUT-NYLON-3/8" GRADE 8
13	P0134007	LOCKNUT-NYLON-7/16"
14	P0134008	LOCKNUT-NYLON-1/2"
15	P0134029	LOCKNUT-NYLON-3/4" GRADE 8
16	P0141003	TEK SCREW 1/4"X1-1/2" HEX WASHER
17	P0145002	SET SCREW-7/16"X2-1/2"SQ.HD.
18	P0151006	FLAT WASHER 1/4"PLATED USS
19	P0610404	TIRE ASSEMBLY-400/480X8
20	P0711101	CABLE 1/8" 7 X 19 GAC
21	P0712104	CABLE CLAMP-1/8" GALV.
22	P0713104	CABLE SHEAVE-1-1/4" W/BEARING
23	P1021002	ROLLER HEX 13-7/8"
24	P1210010	Washer Nylon 3/8 USS
25	P1210012	VINYL CAP 1 1/4 X 2 1/2
26	P1211302	HOOD-SMALL SQUARE 13 SERIES
27	P1711002	FLANGE UNIT-1-1/4"-SAFL206-20
28	P1243001	CABLE TIE 14" 120 LB
29	P2227989	MANUAL HOLDER AND LID
30	13000714	1314LP NEW 28' 4"

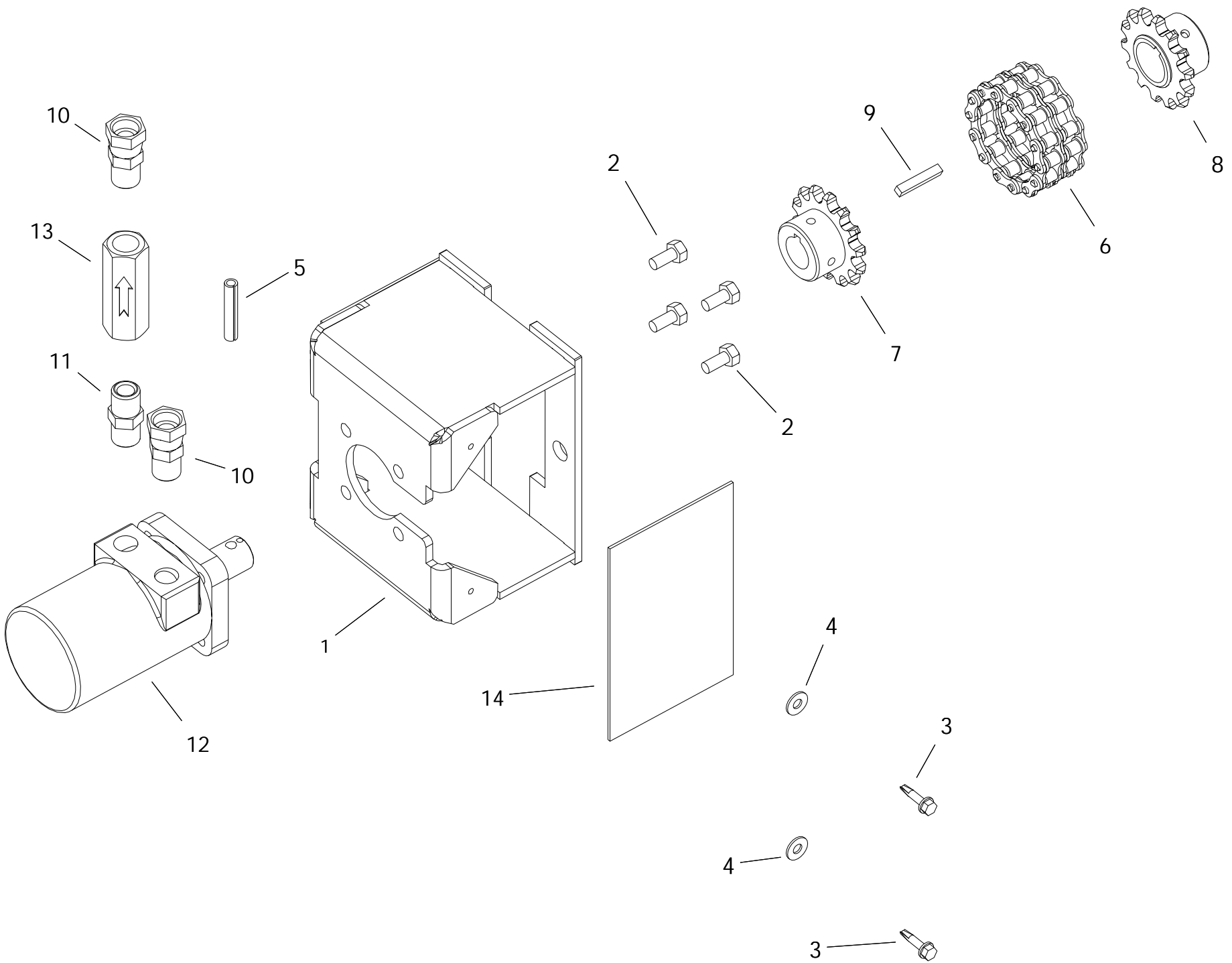
HOPPER (13000320)



HOPPER (13000320)

ITEM	PART NO.	DESCRIPTION
	13000308P	HOPPER -FLASHING ONLY 1314LP
	13100021	UPPER CLOTH FRAME KIT-1314LP
1	13010019	CENTER GUIDING ROLLER
2	13070006	TRANSFER TAKE-UP LAGGED
3	13100001	TRANSFER UPPER FRAME RIGHT
4	13100002	TRANS UPPER FRAME LEFT
5	13100010	Transfer Hopper 1314
6	13100013	RETURN ROLLER ADJUSTER
7	13102052	UPPER CLOTH FRAME TR FRONT
8	13102053	RETURN ROLLER ADJ.TAB
9	13102055	TAB ADJUSTER ROD-1/2" X 7"
10	13102058	Cloth Mount Trans Cross
11	13102059	LOWER CLOTH FRAME TR TRNSITION (13)
12	13102060	Cloth Mount Trans Side
13	13102061	LOWER CLOTH FRAME TR BACK (1314)
14	P0113004	CARRIAGE BOLT 1/2"X1-1/2"PLATED
15	P0114007	TAP BOLT 3/4 X 7 PLATED
16	P0118046	BOLT 3/8" X 1" GR8 PLATED
17	P0118061	BOLT 5/16" X 1" GR8 PLATED
18	P0116001	ELEVATOR BOLT 1/4"X1-1/4"
19	P0131016	NUT 1/4" PLATED GRADE 8
20	P0131017	NUT 5/16" PLATED GRADE 8
21	P0134026	LOCKNUT-NYLON-3/8" GRADE 8
22	P0134008	LOCKNUT-NYLON-1/2"
23	P0141002	TEK SCREW 1/4"X1"
24	P0145002	SET SCREW-7/16"X2-1/2"SQ.HD.
25	P0161003	COTTER PIN 3/16"X1-1/2"PLATED
26	P0162007	HOPPER PIVOT SHAFT-13/15
27	P0521001	HOPPER SPRING-L
28	P0521002	HOPPER SPRING-R
29	P0712104	CABLE CLAMP-1/8" GALV.
30	P1210010	Washer Nylon 3/8 USS
31	P1621001	HOPPER CANVAS-13 TRANSF
32	P1641015	TRIM LOCK
33	P1711004	FLANGE UNIT-1"-SAFL205-16
34	P2513012	PIVOT SHAFT BRACKET TRADITIONAL
35	P11139003	HOPPER SIDE FLASHING FL
36	P11139005	HOPPER FRONT FLASHING FL
37	P19139006	HOPPER FLASHING TRANSITION LEFT FL
38	P19139007	HOPPER FLASHING TRANSITION RIGHT FL
39	P20313001	TRANSFER TRANSTION ROLLER

HYDRAULIC DRIVE KIT (13000280)

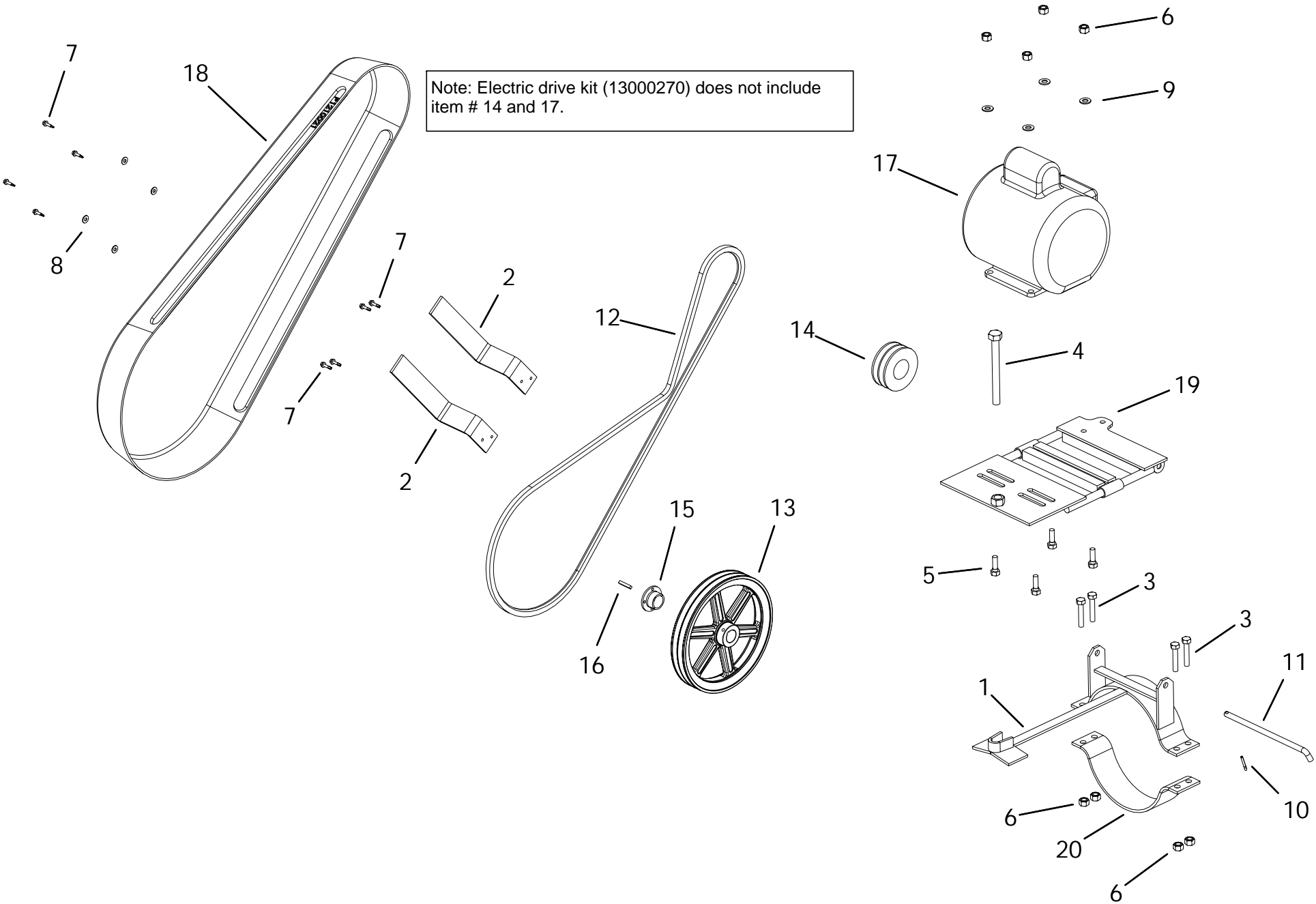


HYDRAULIC DRIVE KIT (13000280)

ITEM	PART NO.	DESCRIPTION
1	13060001	HYD MOTOR MOUNT 1314
2	P0118055	BOLT 3/8" X 3/4" GR8 PLATED
3	P0141002	TEK SCREW 1/4"X1"
4	P0151006	FLAT WASHER 1/4"PLATED USS
5	P0167002	SPRING PIN 3/8" X 2"
6	P0311001	ROLLER CHAIN FOR DRIVE(50-2RX14+CL)
7	P0335140	SPROCKET 5014 1.0(KEY0.25)
8	P0335141	SPROCKET 5014 1.25(KEY0.25)
9	P0391003	KEY 1/4" X 1-1/2" LONG
10	P0821112	SWIVEL-1/2" STRAIGHT
11	P0821133	HEX NIPPLE-1/2"
12	P0841012	HYD MOTOR-6.3 (5.9H) RS-1/2" HOLE
13	P0861035	CHECK VALVE-1/2" (NO HOLE)
14	P1210100	1 1/4 HYDMTR GUARD 4.5 X 6.5

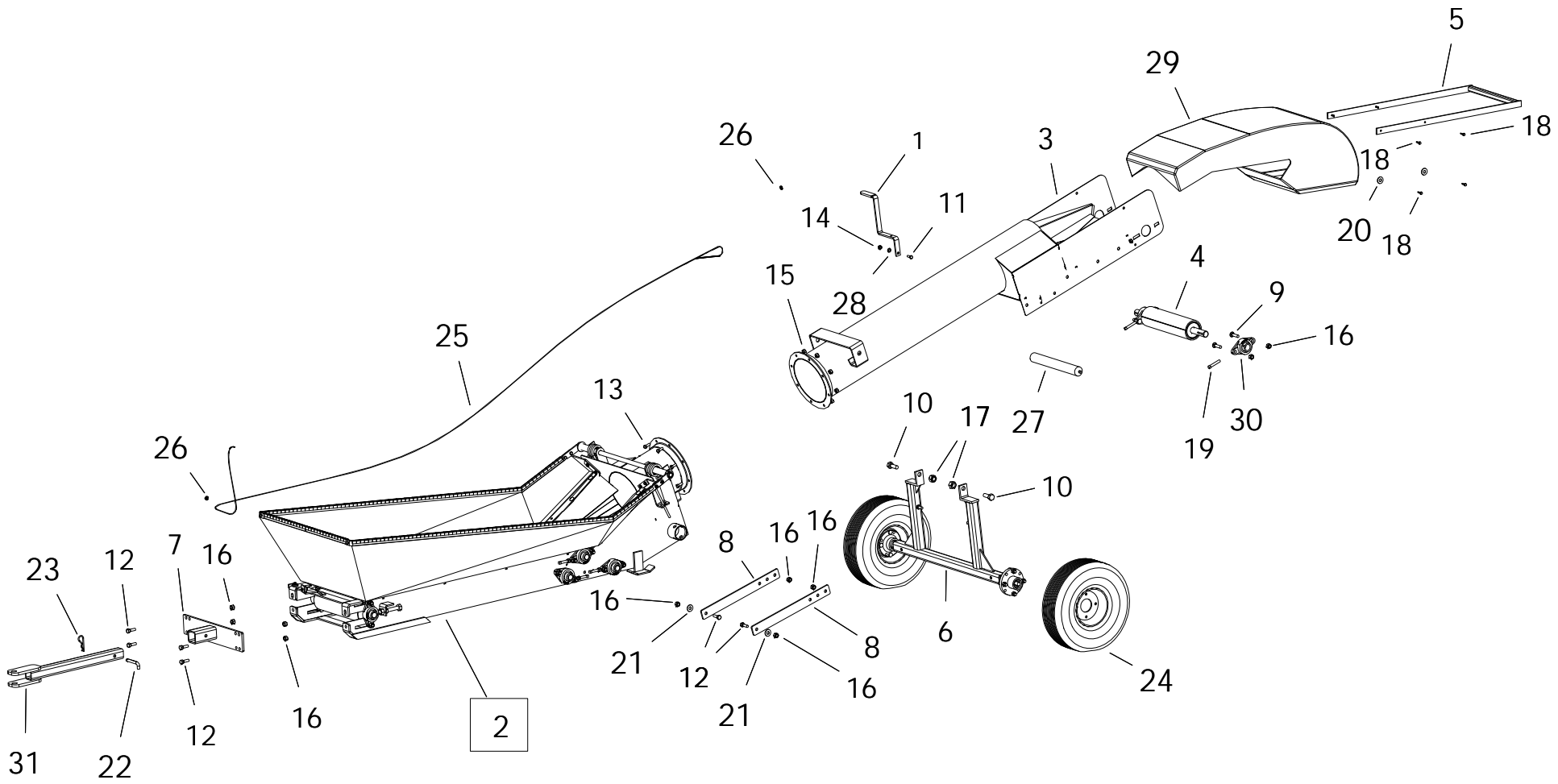
ELECTRIC DRIVE KIT (13000270)

Note: Electric drive kit (13000270) does not include item # 14 and 17.



ELECTRIC DRIVE KIT (13000270)

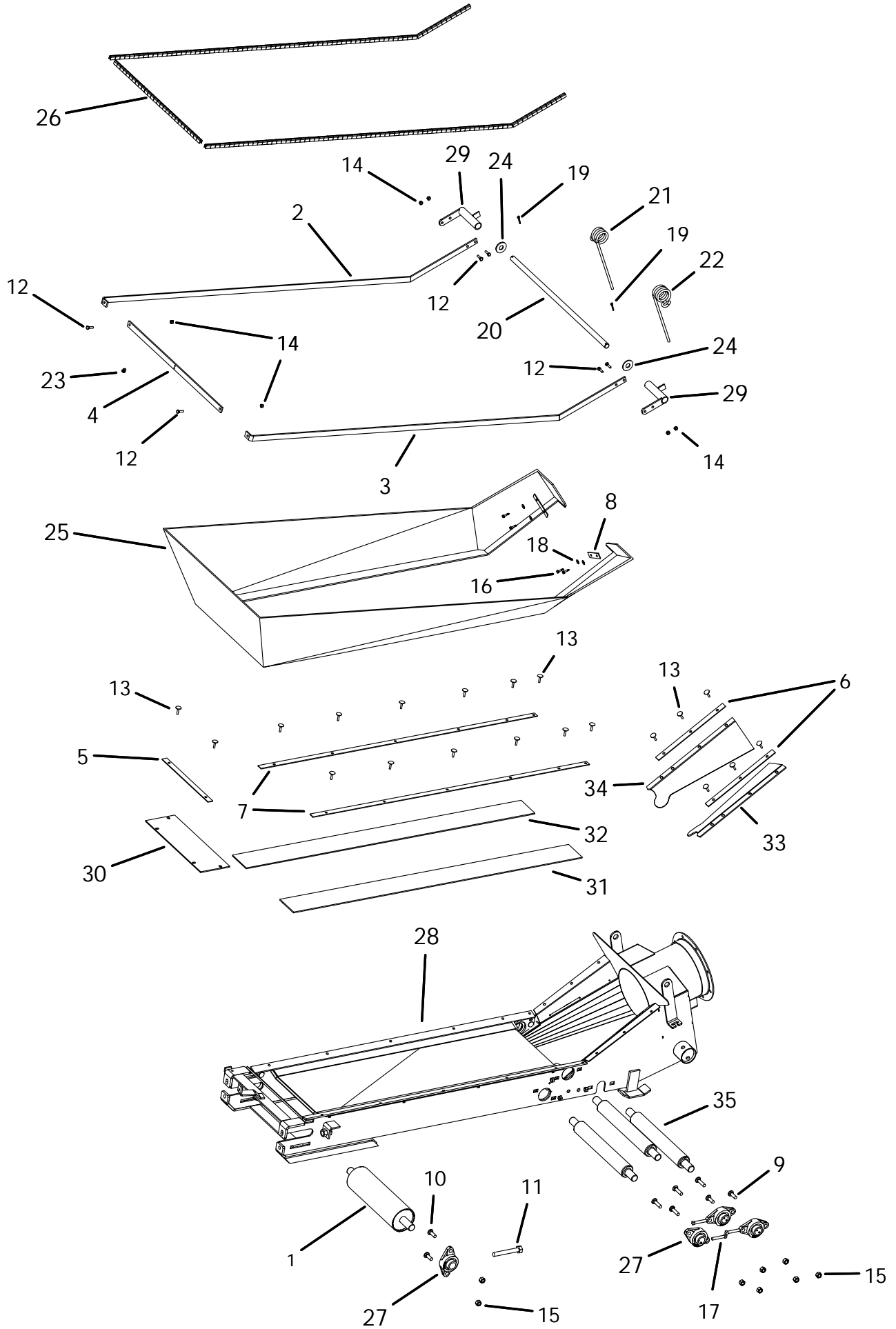
ITEM	PART NO.	DESCRIPTION
1	13060004	ELECTRIC MOTOR CLAMP
2	20042017	GUARD BRACKET
3	P0114005	TAP BOLT 1/2 X 2-1/2 GR.8 PLATED
4	P0114007	TAP BOLT 3/4 X 7 PLATED
5	P0118013	BOLT 1/2"X1 1/2" GR.8 PLATED
6	P0134008	LOCKNUT-NYLON-1/2"
7	P0141002	TEK SCREW 1/4"X1"
8	P0151006	FLAT WASHER 1/4"PLATED USS
9	P0151025	FLAT WASHER 1/2" PLATED USS
10	P0161003	COTTER PIN 3/16"X1-1/2"PLATED
11	P0162005	PIN-ELECT.MTR.MNT-SHORT
12	P0321093	BELT B93
13	P0328007	PULLEY-DBL-B-12" W/1-1/4"BORE
14	P0328018	PULLEY-DBL-BK-4"H
15	P0340320	HUB-H 1-1/4"
16	P0391003	KEY 1/4" X 1-1/2" LONG
17	P0931020	MOTOR 5HP
18	P1210021	PULLEY GUARD -46.5"L -7" TO 16"
19	13060037	ELECTRIC MOTOR MOUNT BASE
20	P2513203P	3" U-CLAMP PAINTED



1515 LP (15001500)

ITEM	PART NO.	DESCRIPTION
1	13100008	HOPPER HANDLE
2	15000320	HOPPER TYPE -TRANSFER
3	15020016	TRANSFER SPOUT 5' W/ WLD-ON BRKTS
4	15070013	SPOUT DRIVE ROLLER-1-1/4" LAGGED
5	15100004	TRANSFER SPOUT HANDLE
6	15100005	TRANSFER FRAME (WITH 8 LUGS)
7	15100011	TRANSFER HITCH
8	15102002	WHEEL STRUT
9	P0113001	CARRIAGE BOLT 1/2"X2" PLATED
10	P0115111	BOLT 3/4" X 2" GR8 PLATED
11	P0115113	BOLT 3/8" X 1-1/2" GR8 PLATED
12	P0118013	BOLT 1/2"X1 1/2" GR.8 PLATED
13	P0118076	BOLT 7/16"X1" GRADE 8 PLATED
14	P0131018	NUT 3/8" PLATED GRADE 8
15	P0134007	LOCKNUT-NYLON-7/16"
16	P0134008	LOCKNUT-NYLON-1/2"
17	P0134029	LOCKNUT-NYLON-3/4" GRADE 8
18	P0141002	TEK SCREW 1/4"X1"
19	P0145002	SET SCREW-7/16"X2-1/2"SQ.HD.
20	P0151006	FLAT WASHER 1/4"PLATED USS
21	P0151029	FLAT WASHER 1/2"PLATED USS
22	P0162001	HITCH PIN 1/2" X 3" PLATED
23	P0163001	HAIR PIN 3/16" X 3-1/4"
24	P0615304	TIRE ASSEMBLY 570X8 LRC
25	P0711101	CABLE 1/8" 7 X 19 GAC
26	P0712104	CABLE CLAMP-1/8" GALV.
27	P1021006	ROLLER HEX 15-7/8"
28	P1210010	Washer Nylon 3/8 USS
29	P1211503	HOOD-SQUARE 15 SERIES
30	P1711002	FLANGE UNIT-1-1/4"-SAFL206-20
31	13030001	STRAIGHT TONGUE
32	P2227989	MANUAL HOLDER AND LID
33	P1243001	CABLE TIE 14" 120 LB
34	15000715	1515LP 30' 6"

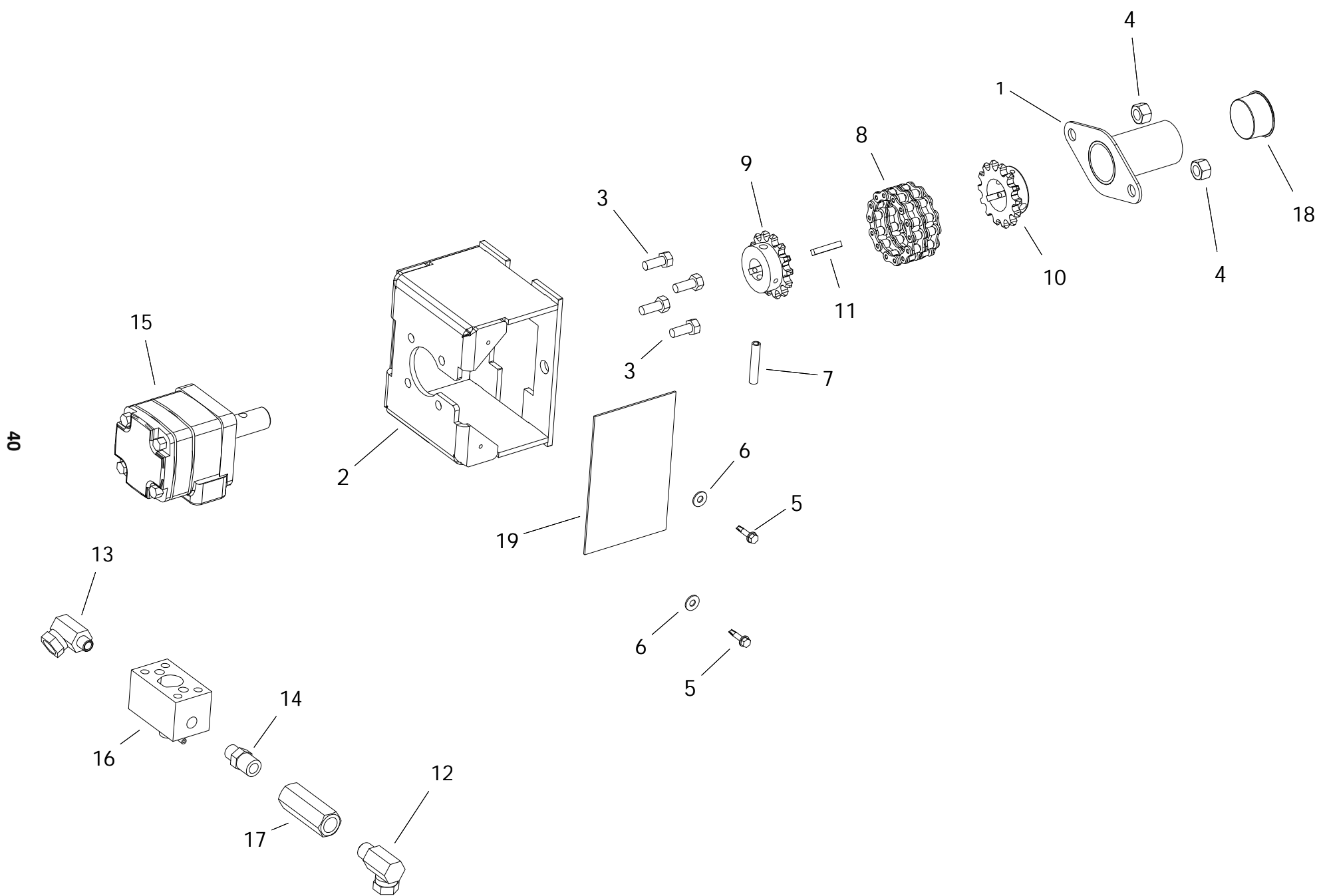
HOPPER (15000320)



HOPPER (15000320)

ITEM	PART NO.	DESCRIPTION
	15000308P	HOPPER -FLASHING ONLY 1515LP
	15100021	HOPPER CLOTH FRAME-UPPER 1515LP
1	15070012	TAKE-UP ROLLER-1-1/4" LAGGED
2	15100001	UPPER CLOTH FRAME TR RIGHT
3	15100002	UPPER CLOTH FRAME TR LEFT
4	15102018	UPPER CLOTH FRAME TR FRONT
5	15102058	LOWER CLOTH FRAME TR FRONT
6	15102059	LOWER CLOTH FRAME TR TRANSITION
7	15102060	LOWER CLOTH FRAME TR SIDE
8	15102061	LOWER CLOTH FRAME TR BACK
9	P0113001	CARRIAGE BOLT 1/2"X2" PLATED
10	P0113004	CARRIAGE BOLT 1/2"X1-1/2"PLATED
11	P0114006	TAP BOLT 3/4 X 5 PLATED
12	P0118061	BOLT 5/16" X 1" GR8 PLATED
13	P0116001	ELEVATOR BOLT 1/4"X1-1/4"
14	P0131017	NUT 5/16" PLATED GRADE 8
15	P0134008	LOCKNUT-NYLON-1/2"
16	P0141002	TEK SCREW 1/4"X1"
17	P0145002	SET SCREW-7/16"X2-1/2"SQ.HD.
18	P0151006	FLAT WASHER 1/4"PLATED USS
19	P0161003	COTTER PIN 3/16"X1-1/2"PLATED
20	P0162007	HOPPER PIVOT SHAFT-13/15
21	P0521001	HOPPER SPRING-L
22	P0521002	HOPPER SPRING-R
23	P0712104	CABLE CLAMP-1/8" GALV.
24	P1210010	Washer Nylon 3/8 USS
25	P1621010	HOPPER CANVAS 1515LP
26	P1641015	TRIM LOCK
27	P1711002	FLANGE UNIT-1-1/4"-SAFL206-20
28	P2515011	15FL HOPPER
29	P2515017	PIVOT SHAFT BRACKET
30	P11159005	HOPPER FRONT FLASHING FL
31	P19159008	FL HOPPER FLASHING LH
32	P19159009	FL HOPPER FLASHING RH
33	P19159010	TRANSITION FLASHING LEFT 15S FL
34	P19159011	TRANSITION FLASHING RIGHT 15S FL
35	P20315002	TRANSITION ROLLER

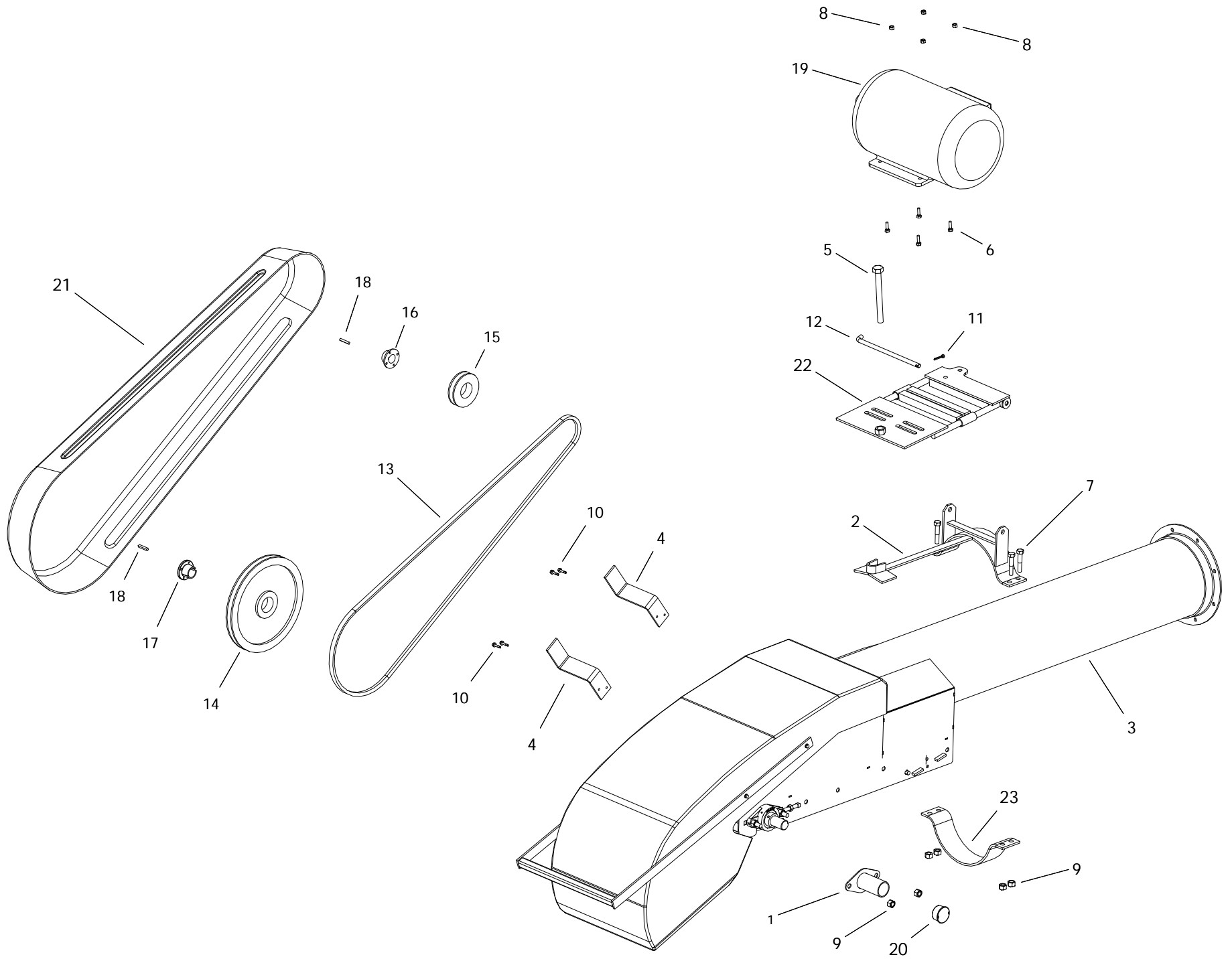
HYDRAULIC DRIVE KIT (15000281)



HYDRAULIC DRIVE KIT (15000281)

ITEM	PART NO.	DESCRIPTION
1	13041038	SHAFT GUARD(FL-206)
2	13060001	HYD MOTOR MOUNT 1314
3	P0118055	BOLT 3/8" X 3/4" GR8 PLATED
4	P0134008	LOCKNUT-NYLON-1/2"
5	P0141002	TEK SCREW 1/4"X1"
6	P0151006	FLAT WASHER 1/4"PLATED USS
7	P0167002	SPRING PIN 3/8" X 2"
8	P0311001	ROLLER CHAIN FOR DRIVE(50-2RX14+CL)
9	P0335140	SPROCKET 5014 1.0(KEY0.25)
10	P0335141	SPROCKET 5014 1.25(KEY0.25)
11	P0391003	KEY 1/4" X 1-1/2" LONG
12	P0820001	SWIVEL-1/2"90 DEGREE
13	P0820008	SWIVEL-3/8"MPTX1/2"FPT/90D
14	P0821134	NIPPLE-1/2"MPT-3/8"MPT-HEX
15	P0841010	HYD MOTOR-6.3 (5.9H) RS-MAN HOLE
16	P0861004	VALVE-SPEED CONT.
17	P0861035	CHECK VALVE-1/2" (NO HOLE)
18	P1210032	FL-206 SHAFT GUARD PLUG
19	P1210100	1 1/4 HYDMTR GUARD 4.5 X 6.5

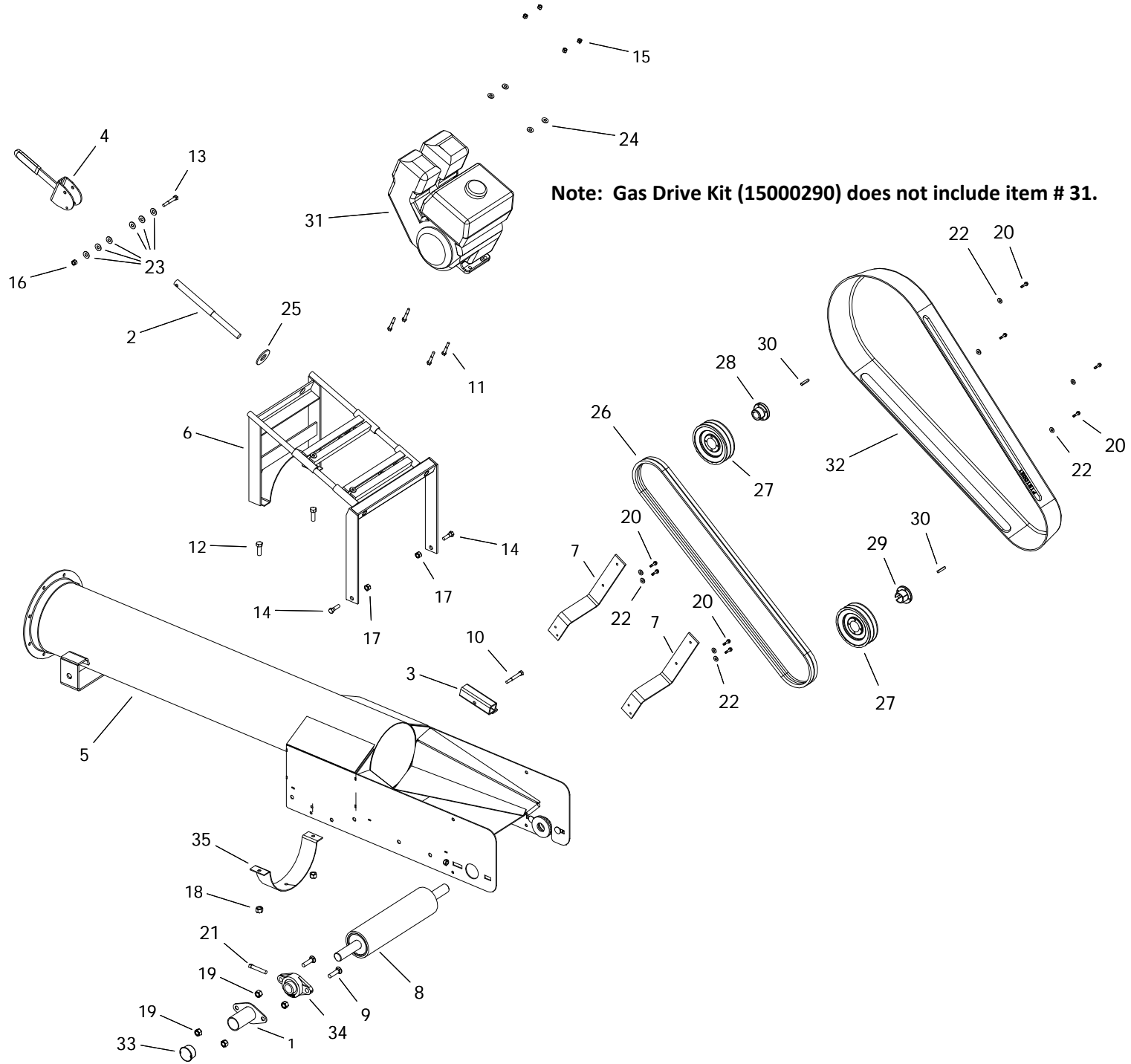
ELECTRIC DRIVE KIT (15000271)



ELECTRIC DRIVE KIT (15000271)

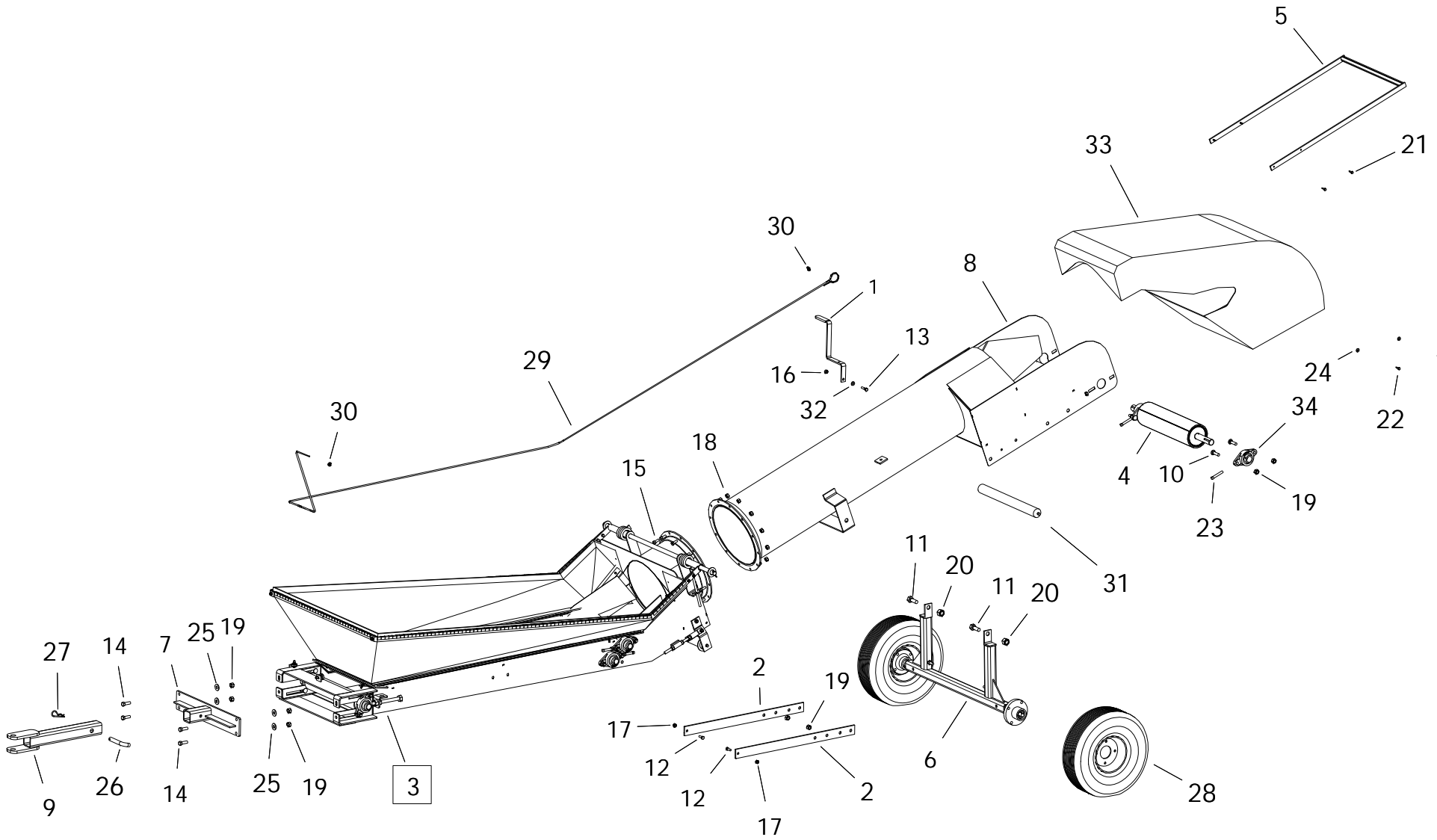
ITEM	PART NO.	DESCRIPTION
1	13041038	SHAFT GUARD(FL-206)
2	13060004	ELECTRIC MOTOR CLAMP
3	15000343	15 SERIES SPOUT ASSEMBLY
4	25013011	PIT GUARD MOUNT
5	P0114007	TAP BOLT 3/4 X 7 PLATED
6	P0118061	BOLT 5/16" X 1" GR8 PLATED
7	P0118017	BOLT 1/2"X2-1/2"GRADE 8 PLATED
8	P0134027	LOCKNUT-NYLON-5/16" GRADE 8
9	P0134008	LOCKNUT-NYLON-1/2"
10	P0141002	TEK SCREW 1/4"X1"
11	P0161003	COTTER PIN 3/16"X1-1/2"PLATED
12	P0162005	PIN-ELECT.MTR.MNT-SHORT
13	P0321101	BELT B101
14	P0328044	PULLEY-SINGLE-12"
15	P0328055	PULLEY-SNGL-BK-4"H
16	P0340318	HUB-H 1-1/8"
17	P0340320	HUB-H 1-1/4"
18	P0391003	KEY 1/4" X 1-1/2" LONG
19	P0931004	ELECTRIC MOTOR 10HP
20	P1210032	FL-206 SHAFT GUARD PLUG
21	P1211803	PIT GUARD
22	13060037	ELECTRIC MOTOR MOUNT BASE
23	P2513203P	3" U-CLAMP PAINTED

GAS DRIVE KIT (15000290)



GAS DRIVE KIT (15000290)

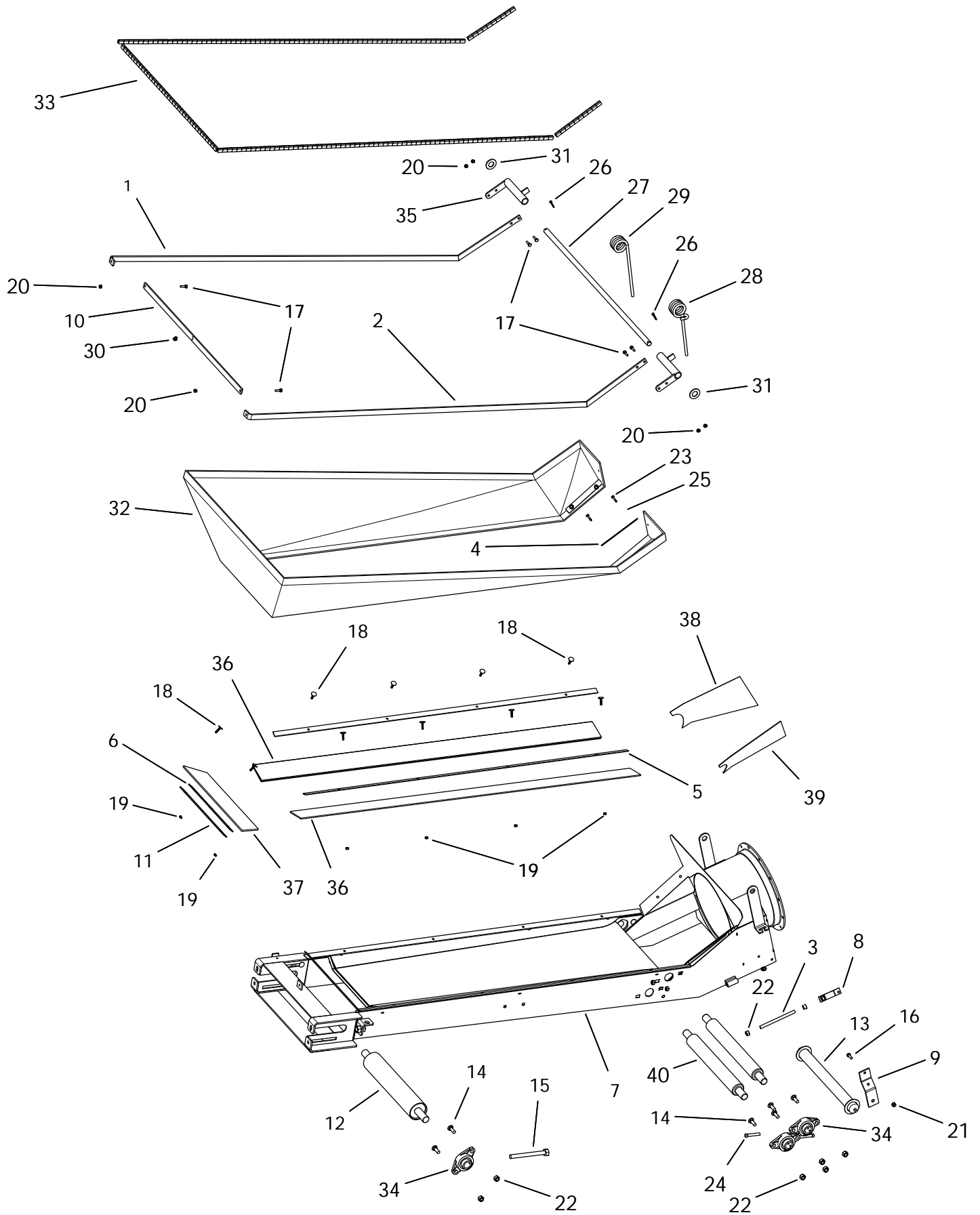
ITEM	PART NO.	DESCRIPTION
1	13041038	SHAFT GUARD(FL-206)
2	13100028	PIVOT HANDLE SHAFT
3	13100032	GAS MT HANDLE SPACER
4	13100035	PIVOT HANDLE
5	15020016	TRANSFER SPOUT 5' W/ WLD-ON BRKTS
6	15061006	TRANS GAS MOUNT
7	20042017	GUARD BRACKET
8	24070009	HOPPER/SPOUT ROLLER LAGGED
9	P0113007	CARRIAGE BOLT 5/8"X2" PLATED
10	P0118053	BOLT 3/8" X 3" GR8 PLATED
11	P0118062	BOLT 5/16" X 2" GR8 PLATED
12	P0118013	BOLT 1/2"X1 1/2" GR.8 PLATED
13	P0118051	BOLT 3/8" X 2-1/2" GR8 PLATED
14	P0118077	BOLT 7/16"X1-1/2" GRADE 8 PLATED
15	P0134027	LOCKNUT-NYLON-5/16" GRADE 8
16	P0134026	LOCKNUT-NYLON-3/8" GRADE 8
17	P0134007	LOCKNUT-NYLON-7/16"
18	P0134008	LOCKNUT-NYLON-1/2"
19	P01340101	LOCKNUT-NYLON-5/8" GRADE 8
20	P0141002	TEK SCREW 1/4"X1"
21	P0145002	SET SCREW-7/16"X2-1/2"SQ.HD.
22	P0151006	FLAT WASHER 1/4" PLATED USS
23	P0151009	FLAT WASHER 3/8" PLATED USS
24	P0151010	FLAT WASHER 5/16" PLATED USS
25	P0151031	FLAT WASHER 1" PLATED USS
26	P0321090	BELT B90
27	P0328023	PULLEY-DOUBLE-6"
28	P0340316	HUB-H 1"
29	P0340320	HUB-H 1-1/4"
30	P0391003	KEY 1/4" X 1-1/2" LONG
31	P1031033	ENGINE-9 H.P.HONDA 6:1
32	P1210021	PULLEY GUARD -46.5"L -7" TO 16"
33	P1210032	FL-206 SHAFT GUARD PLUG
34	P1711006	FLANGE UNIT-1-15/16"-PREMIUM
35	P2219801P	U-CLAMP HANGER-10"X2-1/2"-BLACK



1814 LP (18001400)

ITEM	PART NO.	DESCRIPTION
1	13100008	HOPPER HANDLE
2	13102003	WHEEL STRUT
3	18000320	HOPPER TYPE -TRANSFER
4	18070007	TRANSFER SPOUT ROLLER
5	18100004	Transfer Spout Handle (1814LP)
6	18100005	1814LP Frame
7	18100006	TRANSFER HITCH 18S
8	18100025	TRANSFER SPOUT (68")
9	25010005	PITSTOP TONGUE
10	P0113001	CARRIAGE BOLT 1/2"X2" PLATED
11	P0115111	BOLT 3/4" X 2" GR8 PLATED
12	P0118046	BOLT 3/8" X 1" GR8 PLATED
13	P0115113	BOLT 3/8" X 1-1/2" GR8 PLATED
14	P0118013	BOLT 1/2"X1 1/2" GR.8 PLATED
15	P0118076	BOLT 7/16"X1" GRADE 8 PLATED
16	P0131018	NUT 3/8" PLATED GRADE 8
17	P0134026	LOCKNUT-NYLON-3/8" GRADE 8
18	P0134007	LOCKNUT-NYLON-7/16"
19	P0134008	LOCKNUT-NYLON-1/2"
20	P0134029	LOCKNUT-NYLON-3/4" GRADE 8
21	P0141002	TEK SCREW 1/4"X1"
22	P0141003	TEK SCREW 1/4"X1-1/2" HEX WASHER
23	P0145002	SET SCREW-7/16"X2-1/2"SQ.HD.
24	P0151006	FLAT WASHER 1/4"PLATED USS
25	P0151029	FLAT WASHER 1/2"PLATED USS
26	P0162002	Pin Hitch 3/4 x 3 1/2
27	P0163001	HAIR PIN 3/16" X 3-1/4"
28	P0615304	TIRE ASSEMBLY 570X8 LRC
29	P0711101	CABLE 1/8" 7 X 19 GAC
30	P0712104	CABLE CLAMP-1/8" GALV.
31	P1021003	ROLLER HEX 21"
32	P1210010	Washer Nylon 3/8 USS
33	P1211802	HOOD-LARGE SQUARE
34	P1711002	FLANGE UNIT-1-1/4"-SAFL206-20
35	P2227989	MANUAL HOLDER AND LID
36	P1243001	CABLE TIE 14" 120 LB
37	18000714	1814LP 29'

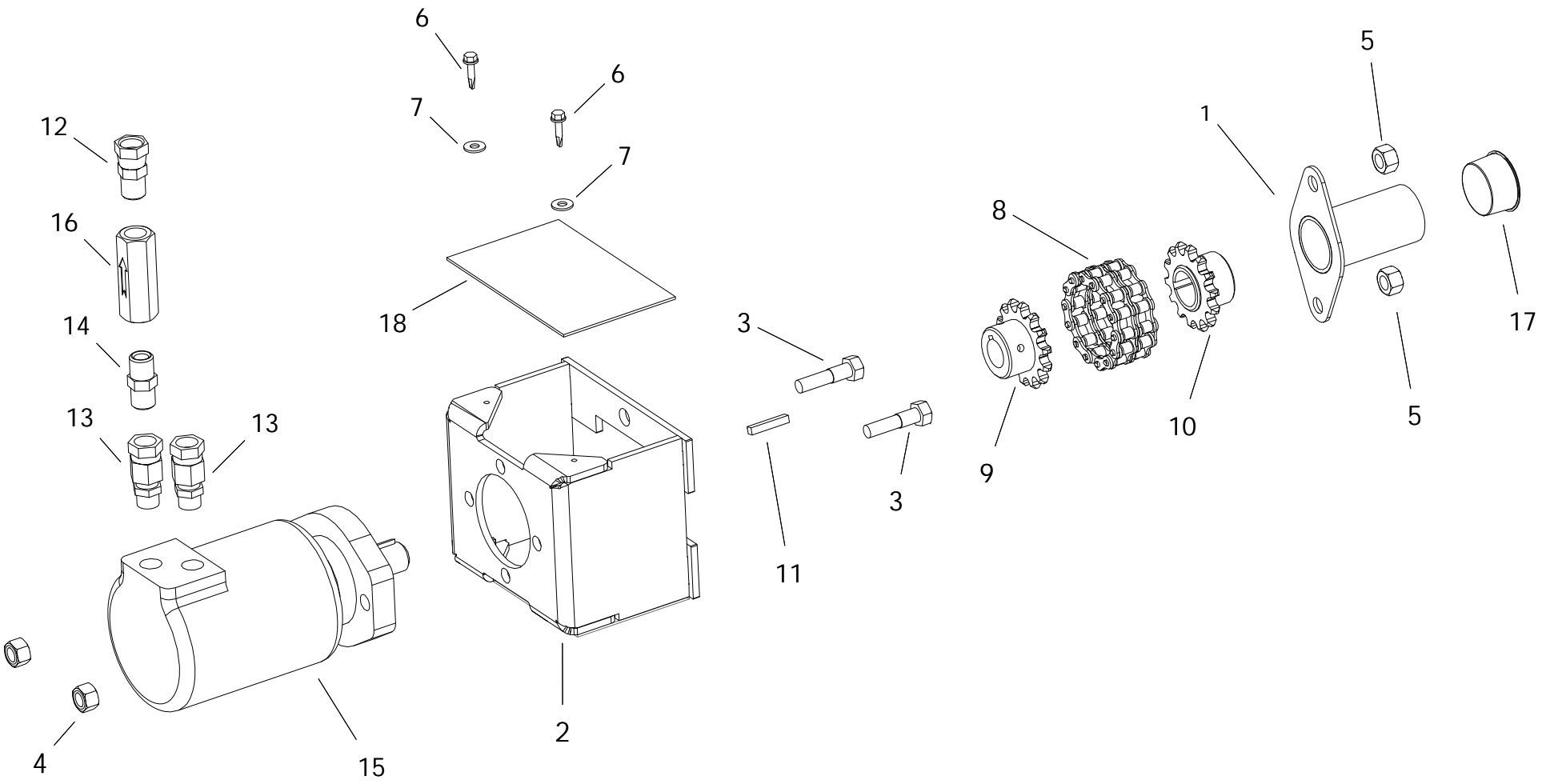
HOPPER (18000320)



HOPPER (18000320)

ITEM	PART NO.	DESCRIPTION
	18000308P	HOPPER -FLASHING ONLY 1814
1	13100001	TRANSFER UPPER FRAME RIGHT
2	13100002	TRANS UPPER FRAME LEFT
3	13102055	TAB ADJUSTER ROD-1/2" X 7"
4	13102059	LOWER CLOTH FRAME TR TRNSITION (13)
5	13102060	Cloth Mount Trans Side
6	13102061	LOWER CLOTH FRAME TR BACK (1314)
7	18100010E24	
8	18100012	ADJUSTMENT LINK LEFT
9	18102021	BENT ADJUSTMENT ARM LEFT
10	18102035	UPPPER CLOTH FRAME TR FRONT
11	18102036	LOWER CLOTH FRAME TR FRONT
12	25070002	PITSTOP TAKE-UP ROLLER
13	25070004	PITSTOP GUIDING RETURN ROLLER
14	P0113004	CARRIAGE BOLT 1/2"X1-1/2"PLATED
15	P0114007	TAP BOLT 3/4 X 7 PLATED
16	P0118046	BOLT 3/8" X 1" GR8 PLATED
17	P0118061	BOLT 5/16" X 1" GR8 PLATED
18	P0116001	ELEVATOR BOLT 1/4"X1-1/4"
19	P0131016	NUT 1/4" PLATED GRADE 8
20	P0131017	NUT 5/16" PLATED GRADE 8
21	P0134026	LOCKNUT-NYLON-3/8" GRADE 8
22	P0134008	LOCKNUT-NYLON-1/2"
23	P0141002	TEK SCREW 1/4"X1"
24	P0145002	SET SCREW-7/16"X2-1/2"SQ.HD.
25	P0151006	FLAT WASHER 1/4"PLATED USS
26	P0161003	COTTER PIN 3/16"X1-1/2"PLATED
27	P0162018	HOPPER PIVOT SHAFT-18FL
28	P0521001	HOPPER SPRING-L
29	P0521002	HOPPER SPRING-R
30	P0712104	CABLE CLAMP-1/8" GALV.
31	P1210010	Washer Nylon 3/8 USS
32	P1621002	HOPPER CANVAS-18 TRANSF
33	P1641015	TRIM LOCK
34	P1711002	FLANGE UNIT-1-1/4"-SAFL206-20
35	P2513012	PIVOT SHAFT BRACKET TRADITIONAL
36	P11139008	HOPPER SIDE FLASHING FL E24
37	P11189005	1814 Front Flashing
38	P19189006	HOPPER TRANSITION LEFT 18S FL
39	P19189007	HOPPER TRANSITION RIGHT 18S FL
40	P20325001	PITSTOP TRANSITION ROLLER

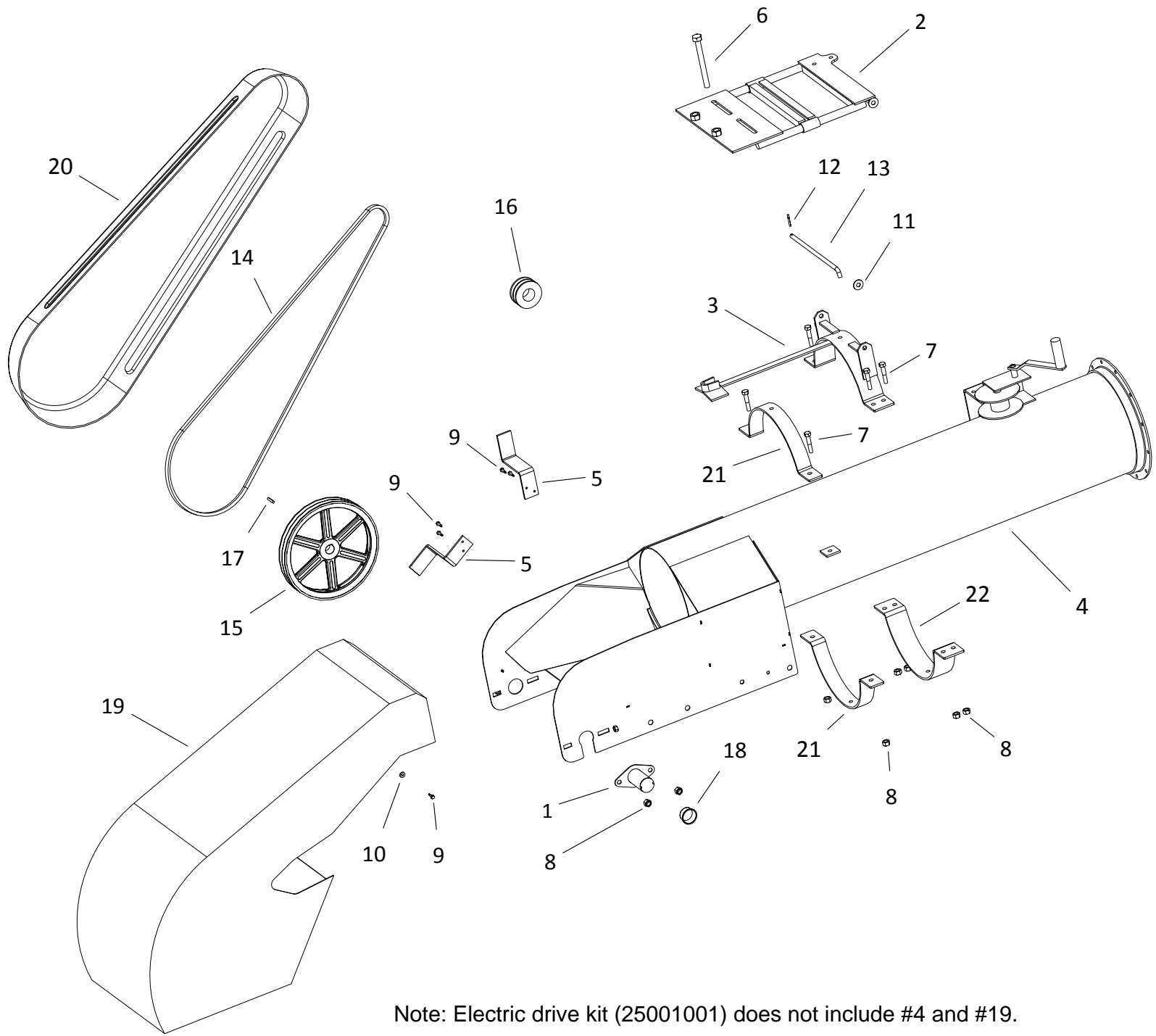
HYDRAULIC DRIVE KIT FOR 1814LP & TD (18000281)



HYDRAULIC DRIVE KIT FOR 1814LP & TD (18000281)

ITEM	PART NO.	DESCRIPTION
1	13041038	SHAFT GUARD(FL-206)
2	25060003	2000 SERIES PITSTOP MOUNT
3	P0118016	BOLT 1/2" X 2" GR8 PLATED
4	P0134008	LOCKNUT-NYLON-1/2"
5	P0134008	LOCKNUT-NYLON-1/2"
6	P0141002	TEK SCREW 1/4"X1"
7	P0151006	FLAT WASHER 1/4"PLATED USS
8	P0311001	ROLLER CHAIN FOR DRIVE(50-2RX14+CL)
9	P0335140	SPROCKET 5014 1.0(KEY0.25)
10	P0335141	SPROCKET 5014 1.25(KEY0.25)
11	P0391003	KEY 1/4" X 1-1/2" LONG
12	P0821112	SWIVEL-1/2" STRAIGHT
13	P0821114	SWIVEL-10ORBx1/2"FS
14	P0821133	HEX NIPPLE-1/2"
15	P0841019	HYD MOTOR-6.2-2000-1"
16	P0861035	CHECK VALVE-1/2" (NO HOLE)
17	P1210032	FL-206 SHAFT GUARD PLUG
18	P1210100	1 1/4 HYDMTR GUARD 4.5 X 6.5

18" PITSTOP ELECTRIC DRIVE KIT (25001001)



Note: Electric drive kit (25001001) does not include #4 and #19.

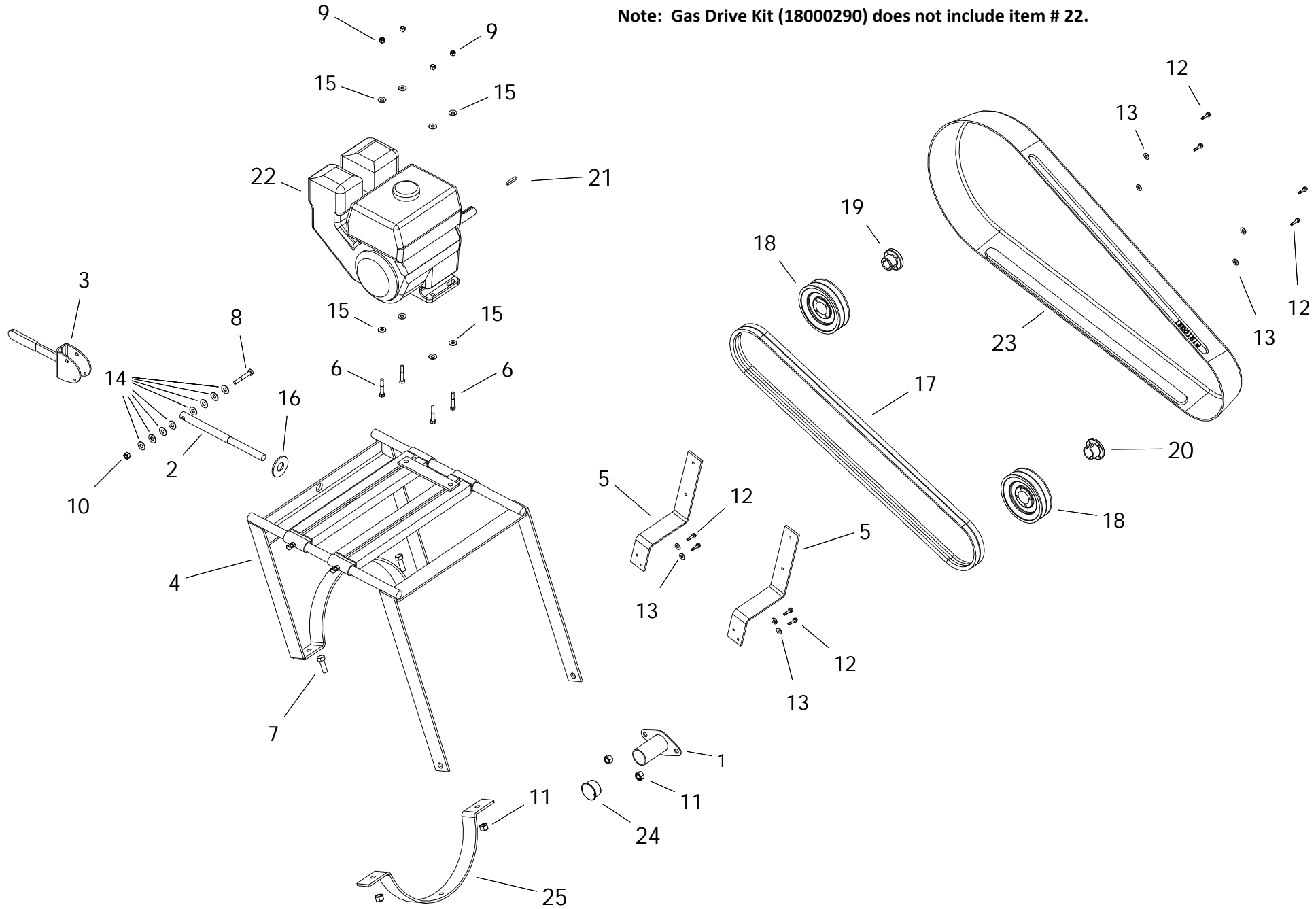
18" PITSTOP ELECTRIC DRIVE KIT (25001001)

ITEM	PART NO.	DESCRIPTION
1	13041038	SHAFT GUARD(FL-206)
2	13060027	13 SERIES HD MOTOR MOUNT PLATE
3	18060004	ELECTRIC MOTOR CLAMP
4	18100009	Pitstop/Transfer Spout
5	25013011	PIT GUARD MOUNT
6	P0114007	TAP BOLT 3/4 X 7 PLATED
7	P0118017	BOLT 1/2"X2-1/2"GRADE 8 PLATED
8	P0134008	LOCKNUT-NYLON-1/2"
9	P0141002	TEK SCREW 1/4"X1"
10	P0151006	FLAT WASHER 1/4"PLATED USS
11	P0151029	FLAT WASHER 1/2"PLATED USS
12	P0161003	COTTER PIN 3/16"X1-1/2"PLATED
13	P0162006	PIN-ELECT.MTR.MNT-LONG
14	P0321108	BELT B108
15	P0328009	PULLEY-DBL-B-14" W/1-1/4"BORE
16	P0328016	PULLEY-DOUBLE-3.4"
17	P0391003	KEY 1/4" X 1-1/2" LONG
18	P1210032	FL-206 SHAFT GUARD PLUG
19	P1211801	HOOD-LARGE ROUND 18 SERIES
20	P1211803	PIT GUARD
21	P2518202P	2" U-CLAMP PAINTED
22	P2518203P	3" U-CLAMP PAINTED

GAS DRIVE KIT (18000290)

Note: Gas Drive Kit (18000290) does not include item # 22.

54



GAS DRIVE KIT (18000290)

ITEM	PART NO.	DESCRIPTION
1	13041038	SHAFT GUARD(FL-206)
2	13100028	PIVOT HANDLE SHAFT
3	13100035	PIVOT HANDLE
4	18060016	TRANSFER GAS MOUNT
5	20042017	GUARD BRACKET
6	P0118062	BOLT 5/16" X 2" GR8 PLATED
7	P0118013	BOLT 1/2"X1 1/2" GR.8 PLATED
8	P0118051	BOLT 3/8" X 2-1/2" GR8 PLATED
9	P0134027	LOCKNUT-NYLON-5/16" GRADE 8
10	P0134026	LOCKNUT-NYLON-3/8" GRADE 8
11	P0134008	LOCKNUT-NYLON-1/2"
12	P0141002	TEK SCREW 1/4"X1"
13	P0151006	FLAT WASHER 1/4"PLATED USS
14	P0151009	FLAT WASHER 3/8"PLATED USS
15	P0151010	FLAT WASHER 5/16"PLATED USS
16	P0151031	FLAT WASHER 1"PLATED USS
17	P0321090	BELT B90
18	P0328023	PULLEY-DOUBLE-6"
19	P0340316	HUB-H 1"
20	P0340320	HUB-H 1-1/4"
21	P0391003	KEY 1/4" X 1-1/2" LONG
22	P1031024	ENGINE 9 HP HONDA ELEC
23	P1210021	PULLEY GUARD -46.5"L -7" TO 16"
24	P1210032	FL-206 SHAFT GUARD PLUG
25	P2518202P	2" U-CLAMP PAINTED



Shipping: 201 Industrial Drive, Swift Current, Saskatchewan S9H 5R4, CANADA

Mailing: Box 1750, Swift Current, Saskatchewan S9H 4J8, CANADA

Toll-Free: (877) 667-7421 (Canada & USA)

Phone: (306) 773-7779

Fax: (306) 778-2524

Email: info@batcomfg.com

Web: www.batcomfg.com

Batco is part of the Ag Growth International group

© Ag Growth International 2019

Printed in Canada