

WESTFIELD®

MK130 FLEX 2009 CDN MODEL

APPLIES TO ALL MODELS UP TO SERIAL # 216301

PARTS BOOK

71-111

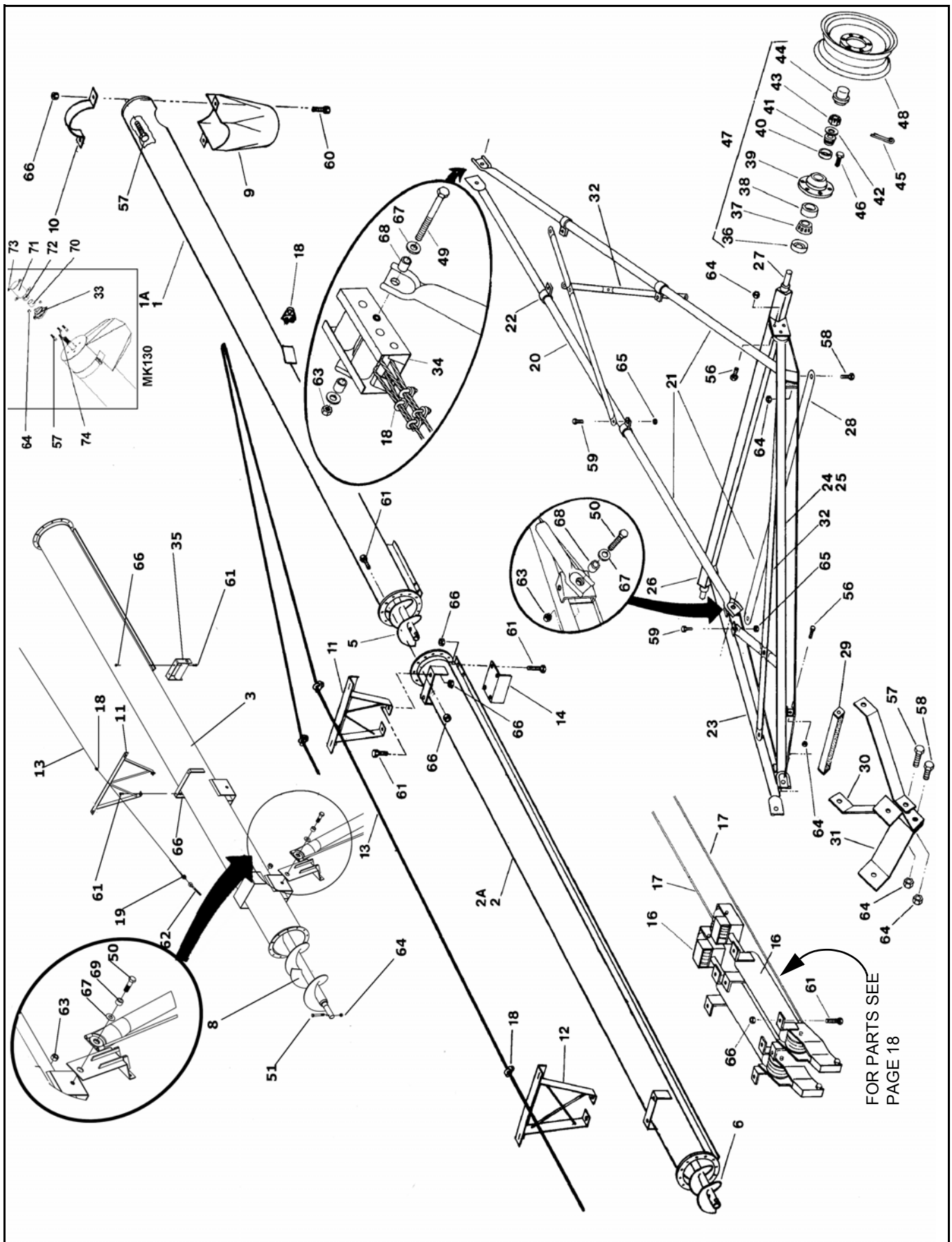
Part Number: R0

Revised: Nov/10

MK130 FLEX AUGER (2009 CDN MODEL)
APPLIES TO ALL MODELS UP TO SERIAL # 216301

MK130 FLEX 71' BASIC AUGER	2
MK130 FLEX 81' BASIC AUGER	4
MK130 FLEX 91' & MK130 FLEX 111' BASIC TUBES.....	6
MK130 FLEX 91' & MK130 FLEX 111' BASIC FRAME	8
MK FLEX SWING TUBE	10
FLEX UPPER SWING TUBE / BOOT ASSEMBLY	12
FLEX LOW PROFILE HOPPER	14
MK FLEX FRAME ASSEMBLY	16
HYDRAULIC LIFT CYLINDER, MK130 FLEX	18
MK FLEX HYDRAULIC HOSE LAYOUT	19
CONSTANT VELOCITY PTO SHAFT (WEASLER)	20
FLEX GEARBOX	21
GEARBOXES FLEX TUBE	22
REVERSER, FLEX AUGERS	23
SPEED REDUCER	24
WINCH, (FULTON MODEL K1550).....	25
MK FLEX HOPPER LIFT ARM ASM AND HYDRAULIC WINCH.....	25

MK130 FLEX 71' BASIC AUGER

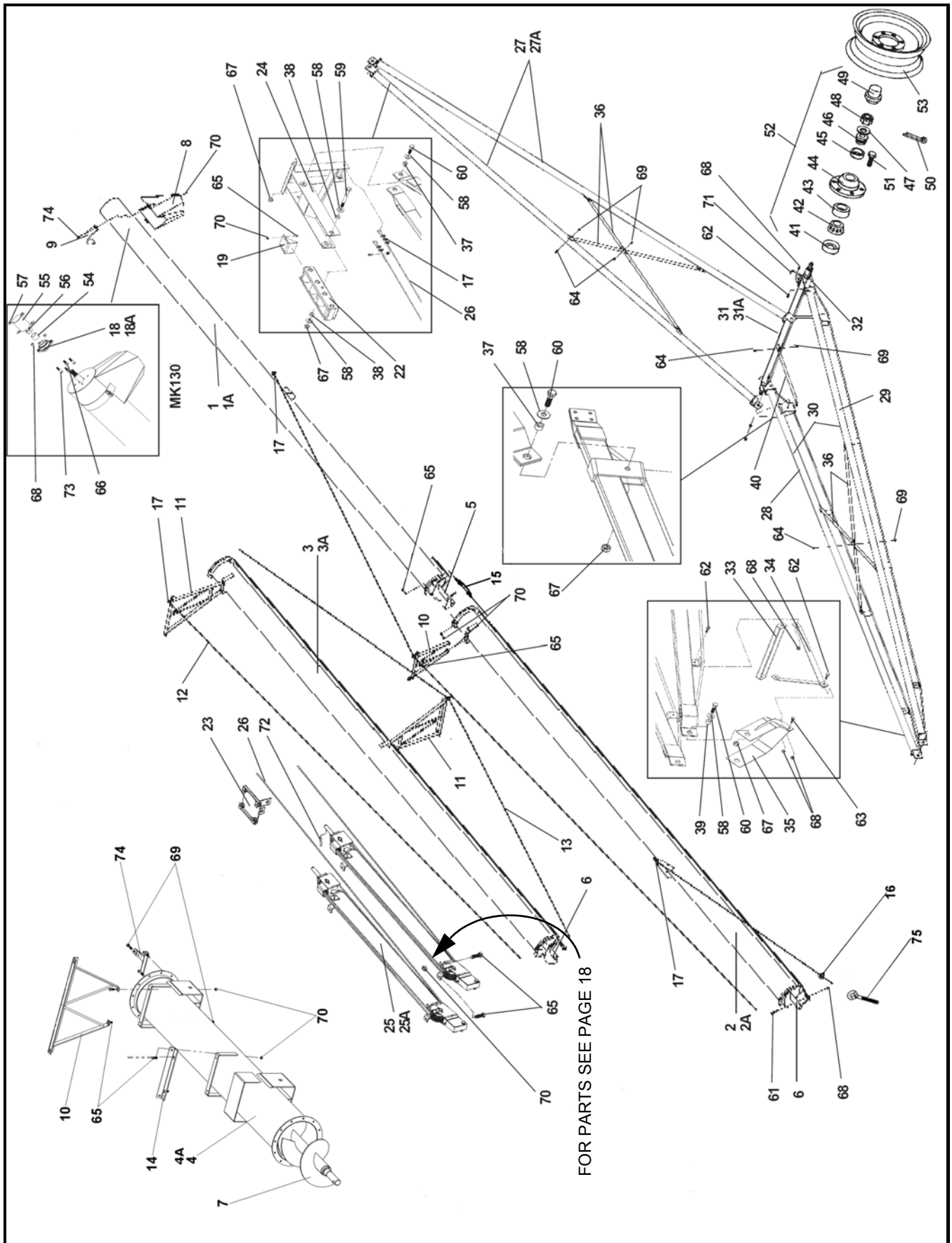


MK130 FLEX 71' BASIC AUGER

ITEM	PART NO.	DESCRIPTION
1	29228	UPPER TUBE SECTION
1A	29227	UPPER TUBE BUNDLE, AS SHIPPED
2	18979	MIDDLE TUBE SECTION
2A	18980	MIDDLE TUBE BUNDLE, AS SHIPPED
3	28845	LOWER TUBE SECTION
3A	28771	LOWER TUBE BDL, AS SHIPPED
5	27591	UPPER FLIGHT SECTION
6	18984	MIDDLE FLIGHT SECTION
8	28846	LOWER FLIGHT SECTION
9	18986	MK130 SPOUT
10	18987	13" HALF CLAMP
11	18988	TRUSS SUPPORT BRACKET, LOW
12	27534	TRUSS SUPPORT BRACKET, HIGH
13	4505053	1371 LONGTRUSS CABLE
14	17017	TRACKSTOP
16	28775	HYDRAULIC CYLINDER, W/PULLEYS & CABLE
17	28898	5/16" LIFT CABLE
18	19333	5/16" CABLE CLAMP
19	18990	3/8" CABLE CLAMP
20	17033	UPPER LIFT TUBE, LEFT OR RIGHT
21	17034	UPPER LIFT BUNDLE, AS SHIPPED
22	18993	BRACE CLAMP
23	17035	LOWER REACH TUBE, LEFT
24	17036	LOWER REACH TUBE, RIGHT
25	17037	LOWER REACH FRAME BUNDLE, AS SHIPPED
26	17038	AXLE, W/ SPINDLES, NUTS, COTTER PINS
27	17004	WELD ON SPINDLE
28	17039	CROSSMEMBER
29	18999	SHORT CROSSMEMBER
30	27546	FLAT BRACE
31	28849	FLEX STABILIZER BRACKET
32	17002	CROSSBRACE
33	18518	1-3/4" BEARING, 4-BOLT
34	17005	TRACK SHOE
35	17024	CABLE ROLLER

ITEM	PART NO.	DESCRIPTION
36	17006	SEAL
37	17022	LARGE BEARING, TIMKEN NO. LM29749
38	17021	LARGE CUP, TIMKEN NO. LM29710
39	17009	HUB W/CUPS
40	19266	SMALL CUP, TIMKEN NO. LM67010
41	19265	SMALL BEARING, TIMKEN NO. LM67048
42	17010	1" SAE WASHER PLAIN
43	17011	SLOTTED NUT, 1"
44	17012	DUST CAP
45	19271	COTTER PIN, 1/8" X 1-1/2"
46	19273	WHEEL BOLT 1/2" - 20 X 1-1/4"
47	17013	HUB AM, COMPLETE
48	29016	16 X 6 X 6 BOLT WHEEL
49	17015	BOLT, 1" - 8 X 10", GR8
50	17016	BOLT, 1" - 8 X 3-1/2", GR8
51	18545	BOLT, 5/8" - 11 X 4-1/2", GR8
56	19991	BOLT, 5/8" - 11 X 2", GR5
57	18544	BOLT, 5/8" - 11 X 1-3/4", GR5
58	19590	BOLT, 5/8" - 11 X 1-1/2", GR5
59	19588	BOLT, 1/2" - 13 X 1-1/4", GR5
60	19981	BOLT, 7/16" - 14 X 1-3/4", GR5
61	18698	BOLT, 7/16" - 14 X 1-1/4", GR8
62	19331	EYE BOLT, 1/2" - 13 X 5", W/LOCKNUT
63	17019	LOCKNUT, 1" - 8
64	19600	NYLON LOCKNUT, 5/8" - 11
65	19599	NYLON LOCKNUT, 1/2" - 13
66	19598	7/16" NC NYLON LOCKNUT GR2 PLTD
67	17020	FLATWASHER, 1"
68	17021	SHORT SPACER BUSHING
69	17022	LONG SPACER BUSHING
70	27575	BUSHING, THRUST ADJUSTER
71	27576	THRUST ADJUSTER COVER
72	27587	NF HEXNUT, 1-1/2"
73	27588	5/8" WASHER LOCKNUT
74	27589	BOLT, 5/8" - 11 X 2-1/2", GR5
75	27487	ANGLE RING SUPPORT

MK130 FLEX 81' BASIC AUGER

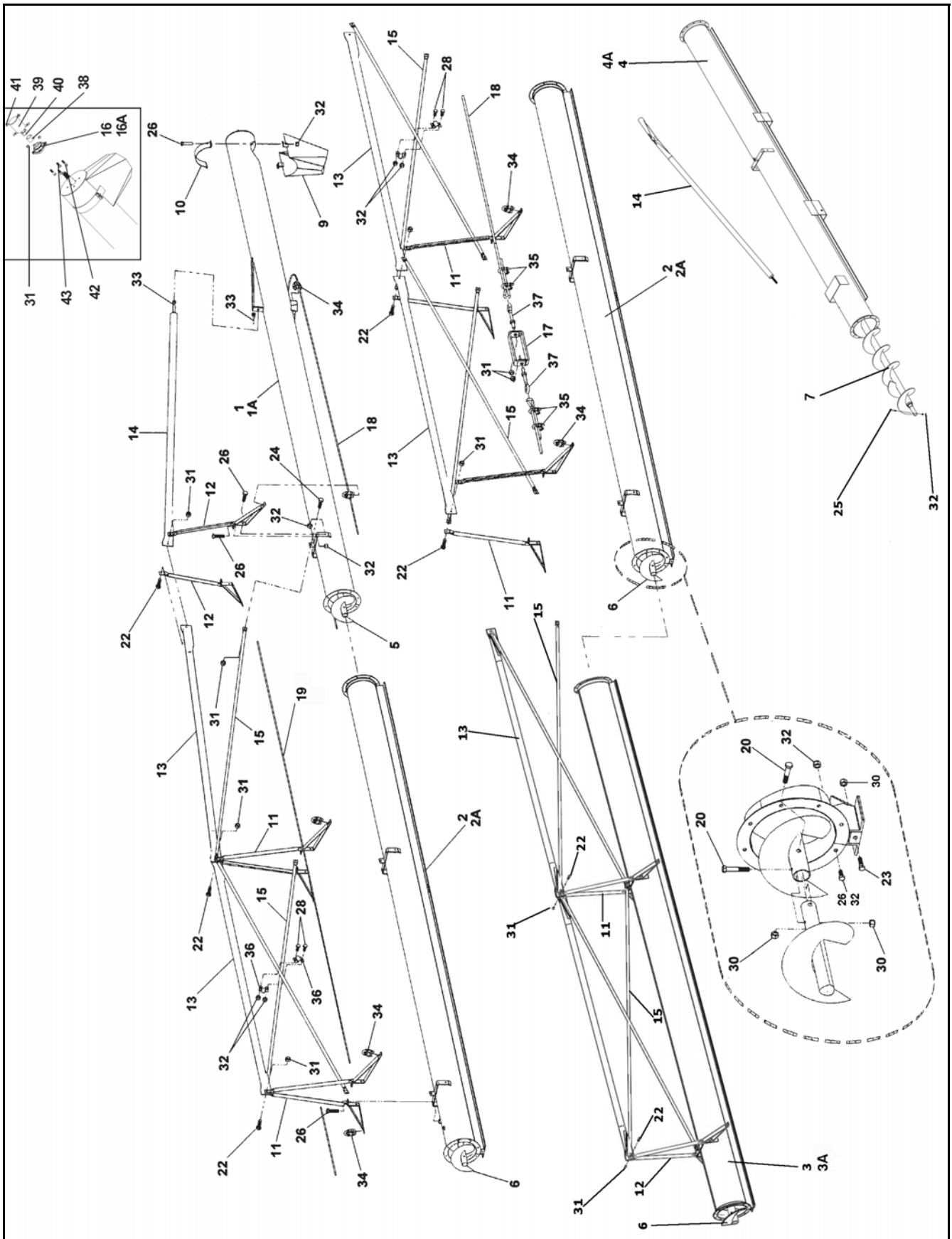


MK130 FLEX 81' BASIC AUGER

ITEM	PART NO.	DESCRIPTION
1	29228	UPPER TUBE SECTION
1A	29227	UPPER TUBE BUNDLE, AS SHIPPED
2	18979	UPPER MIDDLE TUBE SECTION
2A	18980	UPPER MIDDLE TUBE BUNDLE, AS SHIPPED
3	27527	LOWER MIDDLE TUBE SECTION
3A	27536	LOWER MIDDLE TUBE BUNDLE, AS SHIPPED
4	28876	LOWER TUBE SECTION
4A	28735	LOWER TUBE BUNDLE, AS SHIPPED
5	27591	UPPER FLIGHT SECTION
6	18984	MIDDLE FLIGHT SECTION
7	28847	LOWER FLIGHT SECTION
8	18986	MK130 SPOUT
9	18987	13" HALF CLAMP
10	18988	TRUSS SUPPORT BRACKET, LOW
11	27534	TRUSS SUPPORT BRACKET, HIGH
12	28910	TRUSS CABLE, UPPER
13	27502	TRUSS CABLE, LOWER
14	18989	ATTACH BRACKET TRUSS CABLE
15	27487	ANGLE RING SUPPORT
16	18990	3/8" CABLE CLAMP
17	19333	5/16" CABLE CLAMP
18	18518	1-3/4" BEARING, 4-BOLT
18A	17527	1-3/4" BEARING, LESS FLANGE
19	17462	TRACKSTOP
22	17461	TRACK SHOE
23	27562	RAM GUIDE
24	17455	LIFT ASSIST BRACKET
25	28733	HYDRAULIC CYLINDER W/PULLEYS & CABLE
26	28907	MK81 FLEX LIFT CABLE
27	27531	UPPER LIFT ARM, LEFT OR RIGHT
27A	27539	UPPER LIFT BUNDLE, AS SHIPPED
28	27529	LOWER REACH ARM, LEFT
29	27528	LOWER REACH ARM, RIGHT
30	27538	LOWER REACH FRAME BUNDLE, AS SHIPPED
31	27530	AXLE BASE
31A	27540	AXLE BUNDLE, AS SHIPPED, INCLUDING REF #36
32	27490	AXLE EXTENSION
33	27532	SHORT CROSSMEMBER
34	27525	STABILIZER BRACE
35	28849	FLEX STABILIZER BRACKET

ITEM	PART NO.	DESCRIPTION
36	27500	CROSSBRACE
37	27507	SPACER BUSHING, 7/8" LONG
38	27508	SPACER BUSHING, 5/8" LONG
39	17563	SPACER BUSHING, 1-1/8" LONG
40	17463	CORNER BRACE
41	17006	SEAL
42	17007	LARGE BEARING, TIMKEN NO. LM29749
43	17008	CUP TIMKEN #LM 29710
44	17009	HUB W/CUPS
45	19266	SMALL CUP, TIMKEN NO. LM67010
46	19265	SMALL BEARING, TIMKEN NO. LM67048
47	17010	1" SAE WASHER PLAIN
48	17011	SLOTTED NUT, 1"
49	17012	DUST CAP
50	19271	COTTER PIN, 1/8" X 1-1/2"
51	17561	WHEEL BOLT, 1/2" - 20 X 1-5/8"
52	17013	HUB ASM, COMPLETE
53	29016	16 X 6 X 6 BOLT WHEEL
54	27575	BUSHING, THRUST ADJUSTER
55	27576	THRUST ADJUSTER COVER
56	27587	NF HEXNUT, 1-1/2"
57	27588	WASHER LOCKNUT, 5/8"
58	17020	FLATWASHER, 1"
59	17015	BOLT, 1" - 8 X 10", GR8
60	17016	BOLT, 1" - 8 X 3-1/2", GR8
61	18545	BOLT, 5/8" - 11 X 4-1/2", GR8
62	19991	BOLT, 5/8" - 11 X 2", GR8
63	19590	BOLT, 5/8" - 11 X 1-1/2", GR8
64	19588	BOLT, 1/2" - 13 X 1-1/4", GR5
65	18698	BOLT, 7/16" - 14 X 1-1/4", GR8
66	18544	BOLT, 5/8" - 11 X 1-3/4", GR5
67	17019	LOCKNUT, 1" - 8
68	19600	NYLON LOCKNUT, 5/8" - 11
69	19599	NYLON LOCKNUT, 1/2" - 13
70	19598	7/16" NC NYLON LOCKNUT GR2 PLTD
71	19648	SADDLE PIN
72	18079	ROLL PIN, 5/16" X 2"
73	27589	BOLT, 5/8" - 11 X 2-1/2", GR5
74	28877	TRACK CLAMP 81', MK FLEX
75	19331	EYE BOLT 1/2" - 13 X 5" W/LOCKNUT

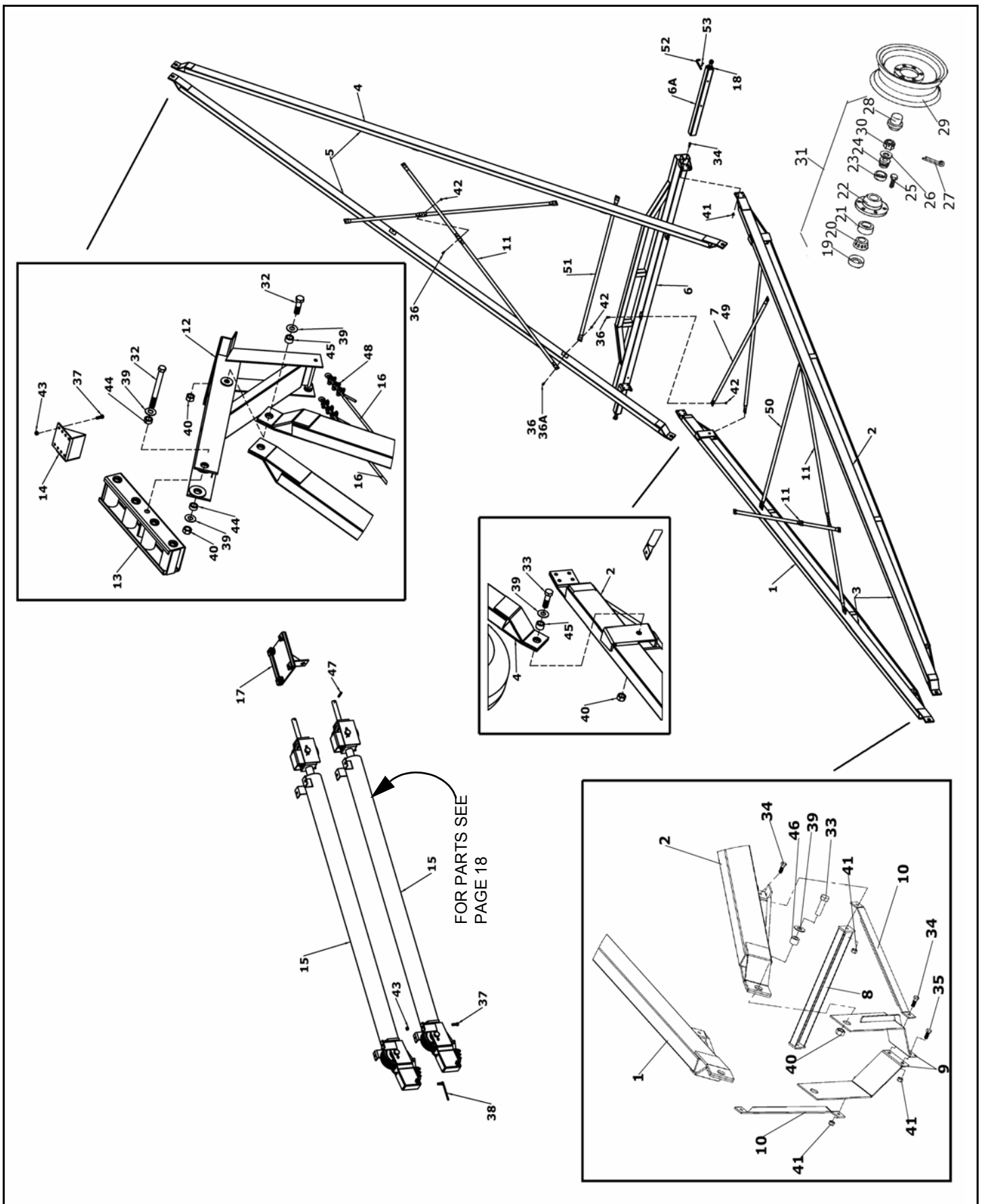
MK130 FLEX 91' & MK130 FLEX 111' BASIC TUBES



MK130 FLEX 91' & MK130 FLEX 111' BASIC TUBES

ITEM	PART NO.		DESCRIPTION
	MK91	MK111	
1	29230	29230	UPPER TUBE SECTION
1A	29229	29229	UPPER TUBE BUNDLE, AS SHIPPED
2	17567	17567	UPPER MIDDLE TUBE SECTION
2A	17508	17508	UPPER MIDDLE TUBE BUNDLE, AS SHIPPED
3	17569	17654	LOWER MIDDLE TUBE SECTION
3A	17510	17673	LOWER MIDDLE TUBE BUNDLE, AS SHIPPED
4	28887	28881	LOWER TUBE SECTION
4A	28778	28769	FLEX 91 LTB AND FLEX 111 LTB, AS SHIPPED
5	27591	18983	UPPER FLIGHT SECTION
6	18984	18984	MIDDLE FLIGHT SECTION
7	28846	28846	MK FLEX 1371/91/111 LWR FLT
9	18986	18986	MK130 SPOUT
10	18987	18987	13" HALF CLAMP
11	17460	17460	TRUSS SUPPORT BRACKET, HIGH
12	17459	17459	TRUSS SUPPORT BRACKET, LOW
13	17572	17658	TRUSS TUBE
14	28884	28882	TRUSS ADJUST TUBE
15	17574	17659	TRUSS CROSSBRACE
16	18518	18518	1-3/4" BEARING W/4-BOLT FLANGE
16A	17527	17527	1-3/4" BEARING, LESS FLANGE
17	--	17464	TURN BUCKLE (2 REQUIRED PER SET)
18	28908	--	3/8" TRUSS CABLE, SINGLE 80'
18	--	27503	3/8" TRUSS CABLE, SINGLE 85' 6"
19	--	4505053	1371 LONG TRUSS CABLE
20	18545	18545	BOLT, 5/8" - 11 X 4-1/2", GR8
22	19798	19798	BOLT, 1/2" - 13 X 2-3/4", GR8
23	27589	27589	BOLT, 5/8" X 2-1/2", GR5
24	19589	19589	BOLT, 1/2" X 1-1/2", GR5
26	18698	18698	BOLT, 7/16" - 14 X 1-1/4", GR8
28	19542	19542	BOLT, 7/16" - 14 X 1", GR5
30	19600	19600	NYLON LOCKNUT, 5/8" - 11
31	19599	19599	NYLON LOCKNUT, 1/2" - 13
32	19598	19598	7/16" NC NYLON LOCKNUT GR2 PLTD
33	19997	19997	HEXNUT, 3/4" - 10
34	19333	19333	CABLE CLAMP, 5/16"
35	18990	18990	CABLE CLAMP, 3/8"
36	17405	17655	CROSSBRACE CLAMP, SINGLE
37	19331	19331	EYEBOLT, 1/2" - 13 X 5" W/LOCKNUT
38	27575	27575	BUSHING, THRUST ADJUSTER
39	27576	27576	THRUST ADJUSTER COVER
40	27587	27587	NF HEXNUT, 1-1/2"
41	27588	27588	WASHER LOCKNUT, 5/8"
42	29251	29251	BOLT, 5/8" - 11 X 2-3/4", GR8
43	18544	18544	BOLT, 5/8" - 11 X 1-3/4", GR5
40	27587	27587	NF HEX NUT, 1-1/2"
41	27588	27588	WASHER LOCKNUT, 5/8"
42	27589	27589	BOLT, 5/8" - 11 X 2-1/2", GR5
43	18544	18544	BOLT, 5/8" - 11 X 1-3/4", GR5

MK130 FLEX 91' & MK130 FLEX 111' BASIC FRAME

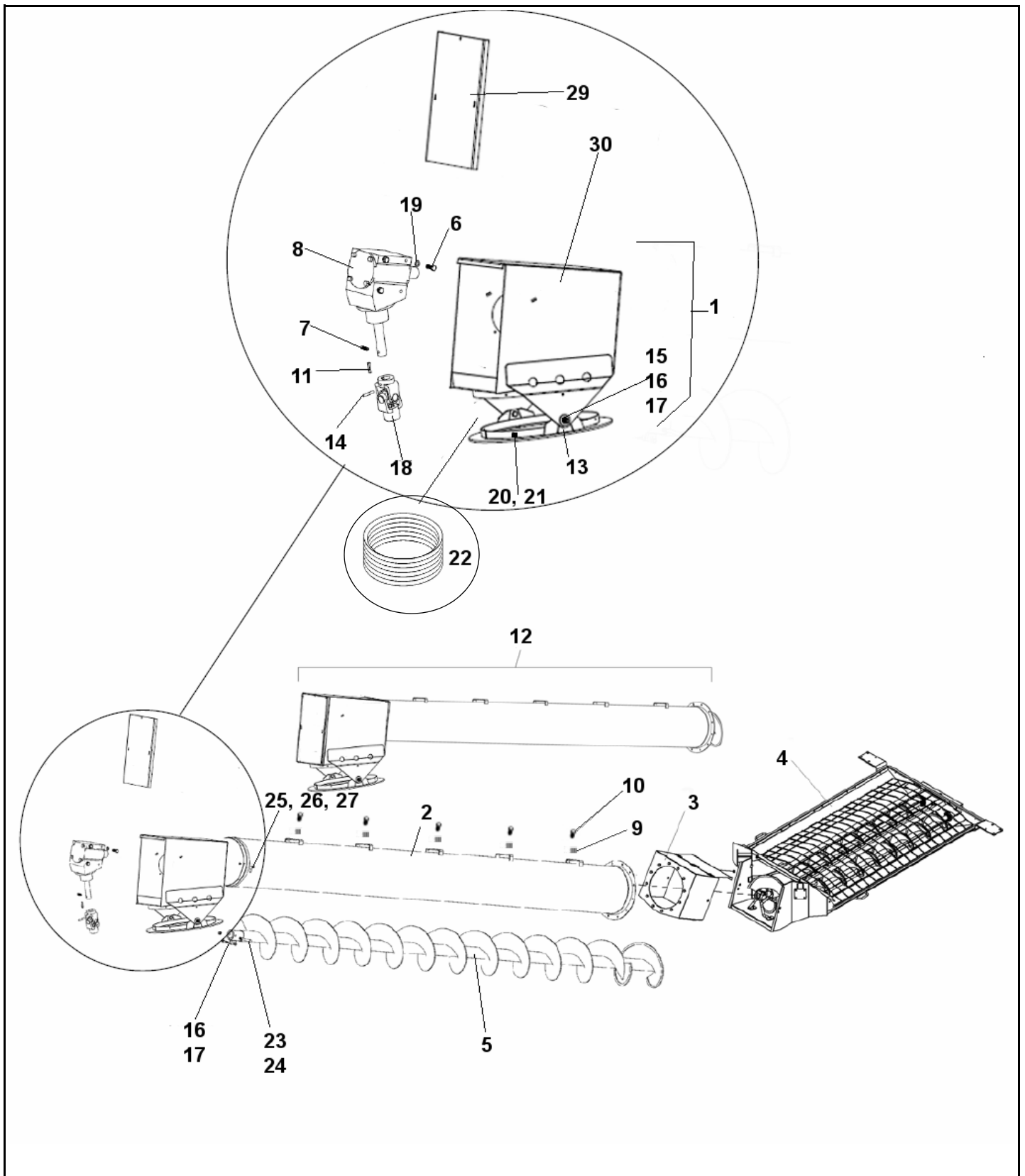


MK130 FLEX 91' & MK130 FLEX 111' BASIC FRAME

ITEM	PART NO.		DESCRIPTION
	MK91	MK111	
1	28307	28435	LOWER REACH TUBE, LEFT
2	28306	28434	LOWER REACH TUBE, RIGHT
3	28327	28590	LOWER REACH FRAME BUNDLE, AS SHIPPED
4	28308	28436	UPPER LIFT TUBE, LEFT OR RIGHT
5	28328	28591	UPPER LIFT BUNDLE, AS SHIPPED
6	28310	28433	AXLE WELDMENT
6A	28311	28311	AXLE EXTENSION
7	17463	--	CORNER BRACE (91' ONLY)
8	28325	18999	SHORT CROSSMEMBER
9	28849	28849	STABILIZER BRACKET
10	28326	28326	STABILIZER BRACE
11	17558	17646	CROSSBRACE
12	17455	17455	LIFT ASSIST BRACKET
13	17461	17461	TRACK SHOE
14	17462	17462	TRACKSTOP
15	17466	17650	HYDRAULIC CYLINDER W/PULLEYS AND CABLES
16	17380	--	5/16" LIFT CABLE, 86' 6" LONG
16	--	17653	3/8" LIFT CABLE, 106' LONG
17	27562	27562	CYLINDER RAM GUIDE
18	28312	28312	WELD ON SPINDLE
19	17006	17006	SEAL
20	17007	17007	LARGE BEARING, TIMKEN NO. LM29749
21	17008	17008	CUP, TIMKEN NO. LM29710
22	17009	17009	HUB W/CUPS
23	19266	19266	SMALL CUP, TIMKEN NO. LM67010
24	19265	19265	SMALL BEARING, TIMKEN NO. LM67048
25	17010	17010	WASHER
26	19271	19271	COTTER PIN, 1/8" X 1-1/2"

ITEM	PART NO.		DESCRIPTION
	MK91	MK111	
27	17011	17011	SLOTTED NUT, 1"
28	17012	17012	DUST CAP
29	17560	17560	15" WHEEL, 6-BOLT
30	17561	17561	WHEEL BOLT, 1/2" - 20 X 1-5/8"
31	17013	17013	HUB ASM, COMPLETE
32	17015	17015	BOLT, 1" - 8 X 10", GR8
33	17016	17016	BOLT, 1" - 8 X 3-1/2", GR8
34	19991	19991	BOLT, 5/8" - 11 X 2", GR8
35	19590	19590	BOLT, 5/8" - 11 X 1-1/2", GR8
36	19588	--	BOLT, 1/2" - 13 X 1-1/4", GR5
36A	--	19974	BOLT, 1/2" - 13 X 1-3/4", GR5
37	18698	18698	BOLT, 7/16" - 14 X 1-1/4", GR5
38	17562	17562	BOLT, 7/16" - 14 X 1-1/4", GR5 W/ HANDLE
39	17020	17020	FLAT WASHER, 1"
40	17019	17019	LOCKNUT, 1" - 8
41	19600	19600	NYLON LOCKNUT, 5/8" - 11
42	19599	19599	NYLON LOCKNUT, 1/2" - 13
43	19598	19598	NYLON LOCKNUT, 7/16" - 14
44	17021	17021	SPACER BUSHING, 11/16" LONG
45	17022	17022	SPACER BUSHING, 15/16" LONG
46	17563	17563	SPACER BUSHING, 1-1/8" LONG
47	18079	18079	ROLL PIN, 5/16" X 2"
48	19333	--	CABLE CLAMP, 5/16"
48	--	18990	CABLE CLAMP, 3/8"
49	--	28439	AXLE BRACE (111' ONLY)
50	--	28438	LOWER TIE TUBE (111' ONLY)
51	--	28439	UPPER TIE TUBE (111' ONLY)
52	19648	19648	SADDLE PIN
53	19463	19463	HITCH PIN

MK FLEX SWING TUBE



FLEX SWING TUBE

ITEM	PART NO.	DESCRIPTION
1	29219	16" FLEX SPOUT HEAD ASM
2	28872	LOWER SWING TUBE ONLY
3	17361	PIVOT NECK, MK FLEX
4	28728	LP HOPPER MK FLEX (SEE PAGE 14 FOR HOPPER PARTS)
5	28874	SWING FLIGHT MK FLEX
6	19588	1/2" X 1-1/4" NC BOLT GR5 PLTD
7	29119	3/8" X 1" SQUARE HEAD SETSCREW
8	27560	MK130 PLUS LOWER GEARBOX
9	28732	LINE BLOCK
10	28746	3/8" 3-1/4" NC BOLT GR5 PLTD
11	19606	1/4" SQUARE X 1-1/2" KEY
12	29172	SWING TUBE BUNDLE
13	29091	SPOUT HEAD BASE
14	18079	ROLL PIN, 5/16" X 2"
15	28744	7/16" X 1-1/2" NC GR5 BOLT
16	19598	7/16" NC NYLON LOCKNUT GR2 PLTD
17	17182	7/16" WASHER
18	29139	U-JOINT
19	19605	LOCKWASHER, 1/2"
20	29252	DUCTING SECURE TABS
21	18185	RIVET, LARGE FLANGE
22	29255	CLEAR FLEX HOSE
23	18728	DOOR SPRING
24	18947	1/2" X 4" BOLT
25	19599	NYLON LOCKNUT, 1/2" - 13
26	19981	7/16" X 1-3/4" BOLT
27	18877	STOP PLATE
28	19594	1/4" WASHER LOCKNUT
29	29217	16" FLEX SPOUT HEAD
30	27567	MK130 PLUS SPOUT DOOR

FLEX UPPER SWING TUBE / BOOT ASSEMBLY

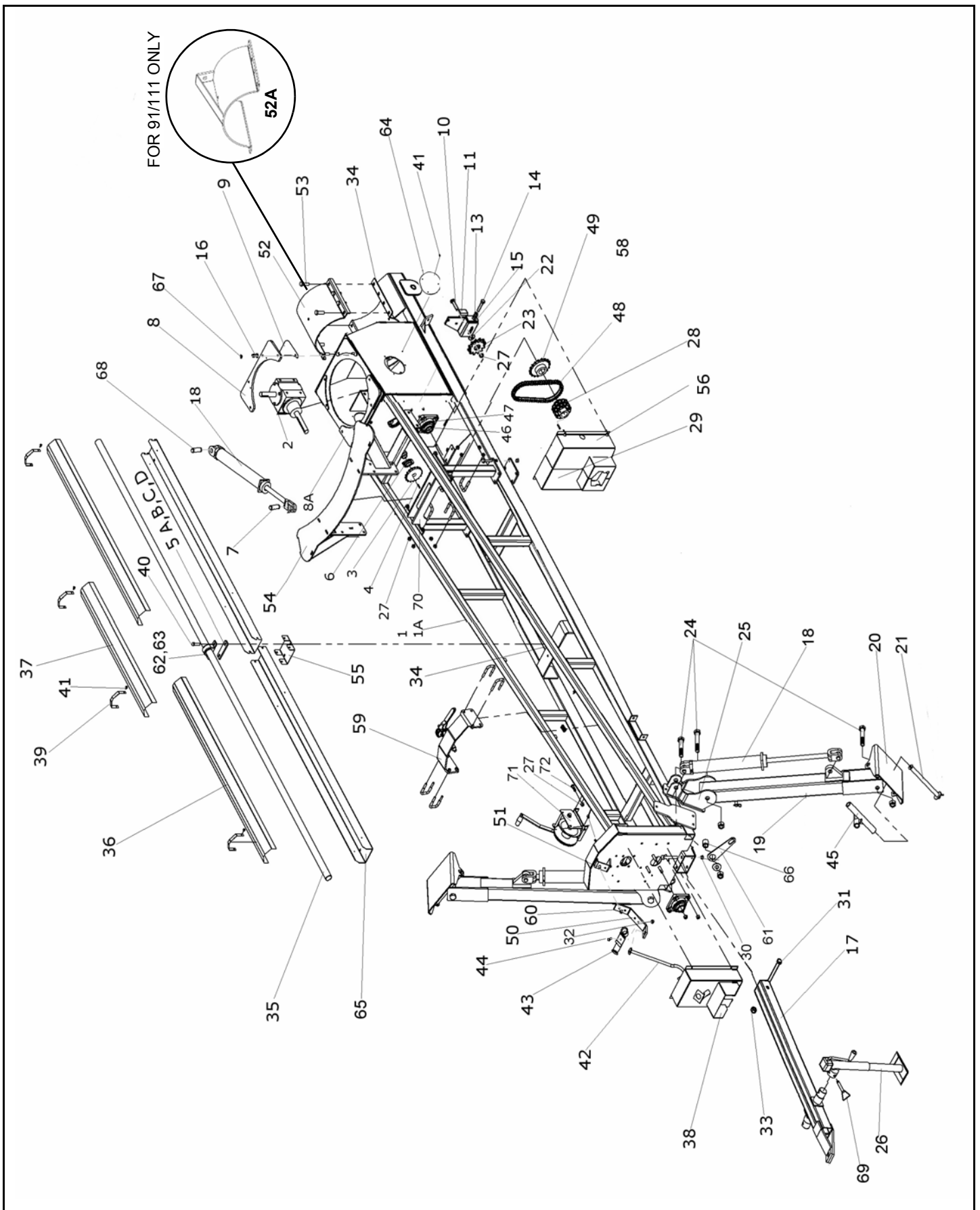
ITEM	PART NO.	DESCRIPTION
1	28873	UPPER SWING TUBE ASM
1A	28713	UPPER SWING TUBE BUNDLE
2	28875	UPPER SWING TUBE FLIGHT
3	28853	UPPER SWING SPOUT HEAD ONLY
4	28896	13" HALF CLAMP
5	28644	GEARBOX 4190 9017° 1:1 CCW 1.25 x 1.75
6	17374	BOOT COVER
7	18947	1/2" X 4" NC BOLT GR8 PLTD
8	19599	1/2" NYLOCK NUT
9	19606	KEYWAY
10	17631	5/16" X 2-1/2" BOLT GR2 PLTD
11	28647	U-JOINT
12	18473	U-JOINT REPAIR KIT
13	19605	1/2" LOCK WASHER
14	19274	#14 X 5/8" SMS AB GR5 PLTD
15	18698	7/16" X 1-1/4" NC BOLT GR8 PLTD
16	19598	7/16" NYLOCK NUT
17	19588	1/2" X 1-1/4" NC BOLT GR5 PLTD
18	28868	BOOT ONLY
18A	28723	BOOT ASM. AS SHIPPED
19	27561	GEARBOX
20	28900	CHAIN GUARD MK FLEX
21	17372	10/13 BOOT CLEAN OUT
22	18695	62 MST ZP FLANGE
23	19779	80B18 X 1-1/4" SPROCKET
24	18853	1-1/4" FLANGE BEARING ONLY
26	17374	COVER PLATE
27	19274	#14 X 5/8" SMS AB GR5 PLTD
30	19597	7/16" SERRATED FLANGE NUT GR2 PLTD
31	19598	7/16" NC NYLOCK NUT GR2 PLTD
32	19538	5/16" X 3/4" NC BOLT GR2 PLTD
33	17371	WASHER, 3-1/8" PLTD
34	18518	BEARING, FHF209-28G
35	17527	BEARING, FH209-28G
36	18525	80B18 X 1-3/4" SPROCKET
37	19781	CHAIN, W100 (#80 X 37P)
38	19606	KEY, 1/4" X 1-1/2" SQ
39	18544	5/8" X 1-3/4" NC BOLT GR5 PLTD
40	19600	5/8" NC NYLON LOCKNUT PLTD
43	29167	NYLON PIVOT ROLLER
45	28897	WHEEL SUPPORT SHAFT
46	28719	BOLT TAP 1/2" X 2-1/2" GR8
47	27840	PIVOT SUPPORT ASM.
48	29159	TRANSPORT LATCH

FLEX LOW PROFILE HOPPER

ITEM	PART NO.	DESCRIPTION
1	28871	LOW PROFILE HOPPER
1A	28728	LP HOPPER ASM, AS SHIPPED
2	17345	LP HOPPER FLIGHTING
3	28634	TIRE ASM
4	17355	13" NECK FLIGHT
5	17397	CHAIN GUARD
6	28893	STEERING CHAIN COVER
7	28633	MOTOR HYD 10.0 ORB 10 ORB 1/4" KEY
8	28859	MOTOR CASTOR
9	28855	HANDLE PIVOT
10	28729	FOLDABLE HANDLE ASM
10A	28854	FOLDABLE HANDLE ONLY
11	28632	VALVE HYD CTRL, W/ HANDLE
11A	28210	HANDLE ONLY
12	29103	LP STEERING ARM ASM
12A	29101	LP STEERING ARM
12B	29105	LP STEERING TAB
13	0200006	1" ID BALL BEARING
14	19290	LP U-JOINT
15	28714	#60 CHAIN - 76 PITCHES
16	17369	MK130 LP CHAIN
17	28870	STEERING STOP
18	28730	SHORT CASTOR ARM
20	17349	SPROCKET 50B20 x 1"
21	19131	SPROCKET 50B14 x 1"
22	18817	1-1/4" BEARING
23	18694	FLANGETTE 1-1/4, SINGLE
24	19149	1" BUSHING
25	17353	BUSHING SUPPORT
26	28726	3/16" X 1-1/2" ROLL PIN

ITEM	PART NO.	DESCRIPTION
27	27287	1" X 1-1/4 " SQUARE KEY
28	17347	MK130 LP DRIVE SHAFT
29	17352	LP DRIVESHAFT SUPPORT
30	17583	TOP MOUNT BUSHING SUPPORT COMES WITH BUSHING
32	28869	STEERING ARM
33	19596	3/8" NC SERRATED FLANGE NUT PLTD
34	28731	LONG CASTOR ARM
35	18955	3/8" X 1" NC BOLT GR5 PLTD
36	17392	3/8" FLAT WASHER PLTD
37	17402	3/8" NYLON LOCKNUT
38	19224	1/4" X 1" WOODRUFF KEY
39	18698	7/16" X 1-1/4" BOLT GR8 PLTD
40	19598	7/16" NC NYLON LOCKNUT GR2 PLTD
41	28856	LOCK PIN
42	19599	NYLON LOCKNUT, 1/2" - 13
43	28645	COMPRESSION SPRING (SINGLE)
44	19798	1/2" X 2-3/4" BOLT GR8
45	17631	5/16" X 2-1/2" NC BOLT GR2
46	19595	5/16" SERRATED FLANGE NUT PLTD
47	19604	3/8" LOCKWASHER
50	28850	STEERING SHAFT
51	19430	60 B14 X 1" SPROCKET
52	28710	FLEX HOPPER SWIVEL WHEEL ASM
53	28860	WHEEL HUB
54	17357	RUBBER EXTENSION
55	18055	CONNECTOR PLATE
56	17358	ATTACH STRAP 10-1/2"
57	18054	ATTACH STRAP 13"
58	18878	ATTACH STRAP 4-1/2"
60	19538	5/16" X 3/4" BOLT, GR2 PLTD

MK FLEX FRAME ASSEMBLY

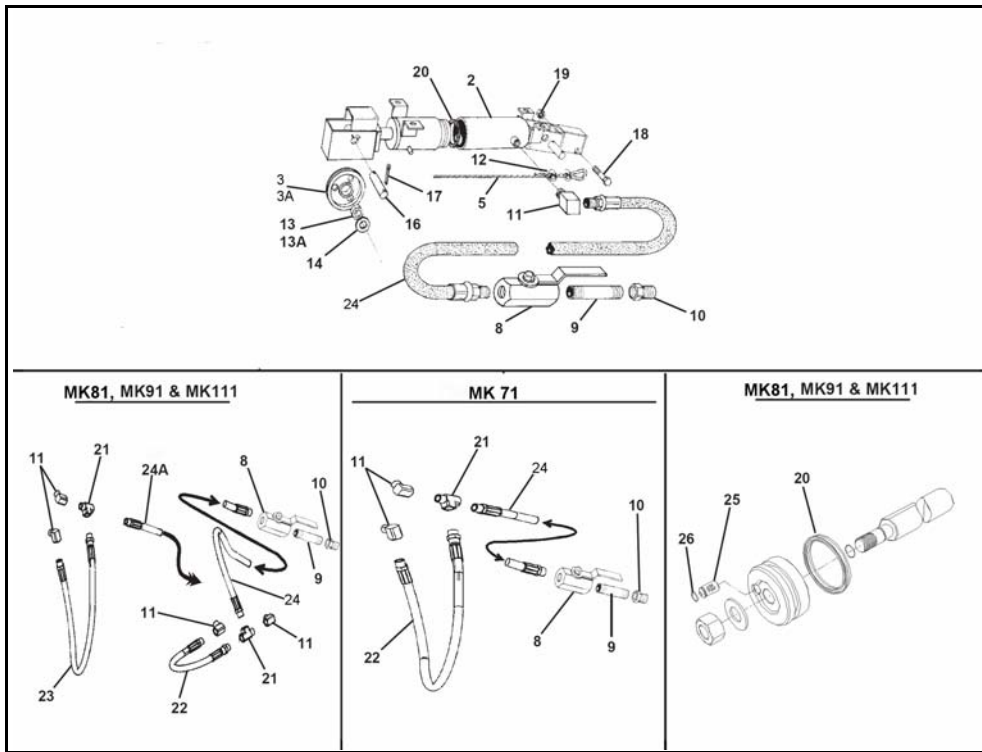


MK FLEX FRAME ASSEMBLY

ITEM	PART NO.	DESCRIPTION
1	28739	FLEX FRAME, AS SHIPPED
1A	28848	FLEX FRAME ONLY
2	28644	GEARBOX 4190 90° 1:1 CW 1.25 X 1.25
3	19779	SPROCKET 80B18 X 1.25"
4	19606	1/4" SQUARE x 1.5" KEY
5A	29094	STEADY BEARING SHIM 3/8"
5B	29095	STEADY BEARING SHIM 7 GA
5C	29096	STEADY BEARING SHIM 12 GA
5D	29097	STEADY BEARING SHIM 16 GALV
6	19322	1-1/4" BEARING 2-BOLT W/FLANGES
7	18089	HYD CYLINDER PINS
8	28902	PIVOT RETAINER W/ ZERKS HOLES FLEX
8A	28901	PIVOT RETAINER W/O ZERK
9	28903	PIVOT SPACER, MK FLEX
10	29112	1/2" X 2-1/2" CARRIAGE BOLT
11	29113	CHAIN TENSIONER SLIDE
13	19602	1/2" NC HEXNUT PLTD
14	28857	1/2" X 2-1/2" NC TAP BOLT
15	29111	CHAIN TENSIONER
16	19598	7/16" NYLON LOCKNUT GR2 PLTD
17	28878	TOW BAR, MK FLEX
18	28636	CYLINDER, 2-1/2" X 16"
19	28862	LEG, MK FLEX
20	28906	FOOT ASM, MK FLEX
21	28886	PIVOT PIN, MK FLEX
22	17401	1/2" FLAT WASHER
23	28639	80B12 X 1/2 IDLER SPROCKET
24	28717	1" X 6" GR5
25	28861	MOUNT, MK FLEX
26	18374	5000 LB SIDEWIND JACK
27	19599	1/2" NC NYLON LOCKNUT GR 2 PLTD
28	29075	CHAIN COUPLER
29	29156	STAT BOOT SHIELD LEFT
30	19600	5/8" NC NYLON LOCKNUT PLTD
31	19593	3/4" X 6-1/2" NC BOLT GR8 PLTD
32	17402	3/8" X NC NYLON LOCKNUT PLTD
33	19601	3/4" NC NYLON LOCKNUT PLTD
34	17402	3/8" NC NYLOCK LOCKNUT PLTD
35	29098	DRIVESHAFT, MK FLEX

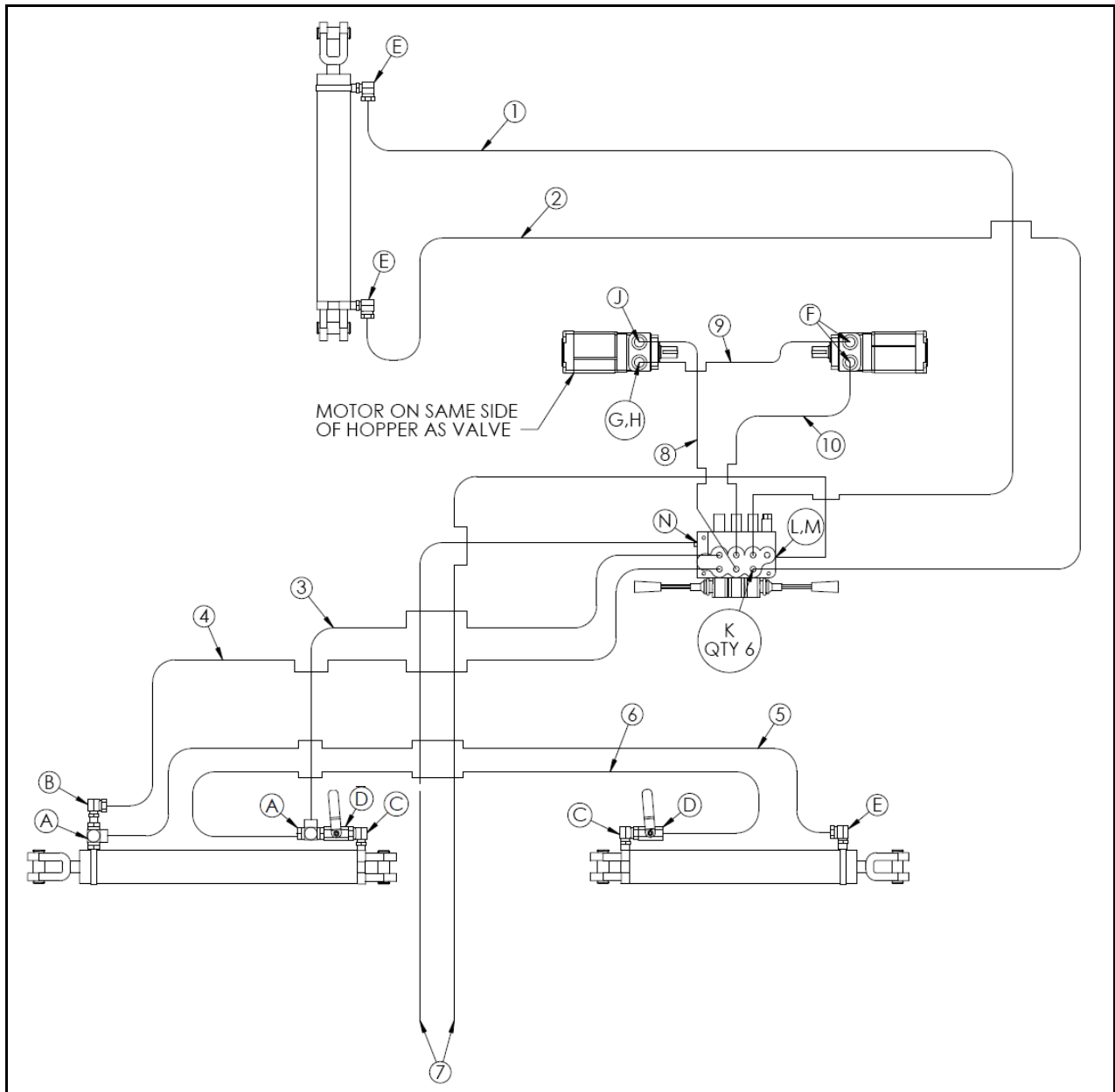
ITEM	PART NO.	DESCRIPTION
36	18829	48" DRIVE GUARD SHIELD
37	19284	42" DRIVE GUARD SHIELD
38	18540	MK SPROCKET COVER
39	19256	DSG STRAP
40	27589	BOLT, 5/8" X 2-1/2" GR5 PLTD
41	19274	SMS, WASHER HEAD #14 X 5/8"
42	18537	MK130 PTO SADDLE
43	17467	MK DBL HOSE HOLDER
44	18955	3/8" X 1" NC BOLT GR5 PLTD
45	28863	DOWNRIGGER KNUCKLE, MK FLEX
46	17371	1-3/4" WASHER,
47	18518	BEARING C/W 4-BOLT FLANGE 1-3/4"
48	19781	CHAIN, W100 (#80 X 37P)
49	18525	SPROCKET 80B18 X 1.75"
50	27569	MK130 PLUS PTO BAR
51	18698	7/16" X 1-1/4" NC BOLT GR8 PLDT
52	28851	13" HALF CLAMP (FOR 71/81)
52A	29102	13" HALF CLAMP W/TRUSS ANCHOR (FOR 91/111 ONLY)
53	18544	BOLT, 5/8" X 1-3/4" UNC GR5 PLTD
54	29088	WHEEL TRACK, MK FLEX (2010)
55	29151	BEARING BLOCKER
56	29157	STAT BOOT SHIELD RIGHT
58	29119	3/8" SQUARE HEAD SETSCREW
59	29177	TRANSPORT REST ASM
60	19598	7/16" NC NYLON LOCKNUT GR2 PLTD
61	28905	DR LOCK PLATE
62	17527	1-3/4" BEARING INSERT
63	29086	1-3/4" WOOD BEARING ASSEMBLY
64	17374	BOOT COVER
65	29158	DRIVESHAFT LOWER GUARD
66	28904	DOWNRIGGER LOCK SPINDLE
67	28741	1/4" 90° GREASE FITTING
68	4504128	CYLINDER PIN 1" X 3-3/8"
69	18374	JACK PIN
70	29145	ROLLER SUPPORT BRACE
71	19152	HAND WINCH
72	19598	BOLT, 1/2" X 1-1/2"

HYDRAULIC LIFT CYLINDER, MK130 FLEX



ITEM	PART NO.				DESCRIPTION
	MK71	MK81	MK91	MK111	
2	19917	27541	17388	17649	HYDRAULIC CYLINDER ONLY
3	19918	19918	19918	--	PULLEY, 5-1/2" DIAL. W/BUSHING
3A	--	--	--	17640	PULLEY, 6" DIAL. W/BUSHING
5	28898	28907	17653	17653	LIFT CABLE
8	18084	18084	18084	18084	SHUT-OFF VALVE, 3/8"
9	18085	18085	18085	18085	PIPE NIPPLE, 3/8" X 4-3/4"
10	18086	18086	18086	18086	REDUCER BUSHING, 3/8" X 1/2"
11	18087	18087	18087	18087	STREET ELBOW, 3/8"
12	19333	19333	19333	18990	CABLE CLAMP, 5/16" (MK111 & MK81: 3/8")
13	18088	18088	18088	--	BUSHING, 1" X 3/4" LONG
13A	--	--	--	17687	BUSHING, 1" X 7/8" LONG
14	18097	18097	18097	17651	RIM WASHER, 1" (MK111: 1-1/4")
16	18089	18089	18089	17652	PULLEY PIN, 1" X 4-1/4" (MK111: 1-1/4" X 4-1/2")
17	18098	18098	18098	18098	COTTER PIN, 1/4" X 1-3/4"
18	18093	18093	18093	27815	BOLT, 5/8" X 3-1/2", GR5 (MK111: 5/8" X 4")
19	19600	19600	19600	19600	NYLON LOCKNUT, 5/8"
20	18542	18542	18542	17657	CYLINDER CUP, 4" NOM. (MK111: 4-1/2" NOM.)
21	18736	18736	18736	18736	STREET TEE, 3/8"
22	18739	18739	18739	18739	HYDRAULIC HOSE, 3/8" X 16" LONG
23	--	17468	17468	17468	HYDRAULIC HOSE, 3/8" X 32" LONG
24A	--	28737	--	--	HYDRAULIC HOSE, 3/8" X 347" LONG
24A	--	--	17457	--	HYDRAULIC HOSE, 3/8" X 390" LONG
24A	--	--	--	17672	HYDRAULIC HOSE, 3/8" X 473" LONG
24	28738	28738	--	--	HYDRAULIC HOSE, 3/8" X 272" LONG
24	--	--	17458	--	HYDRAULIC HOSE, 3/8" X 336" LONG
24	--	--	--	28284	HYDRAULIC HOSE, 3/8" X 292" LONG
25	--	17381	17381	17381	CHECK VALVE
26	--	17382	17382	17382	O-RING, 5/8" OD X 1/2" ID X 1/16" CS
--	28775	28773	17466	17650	CYLINDER AM

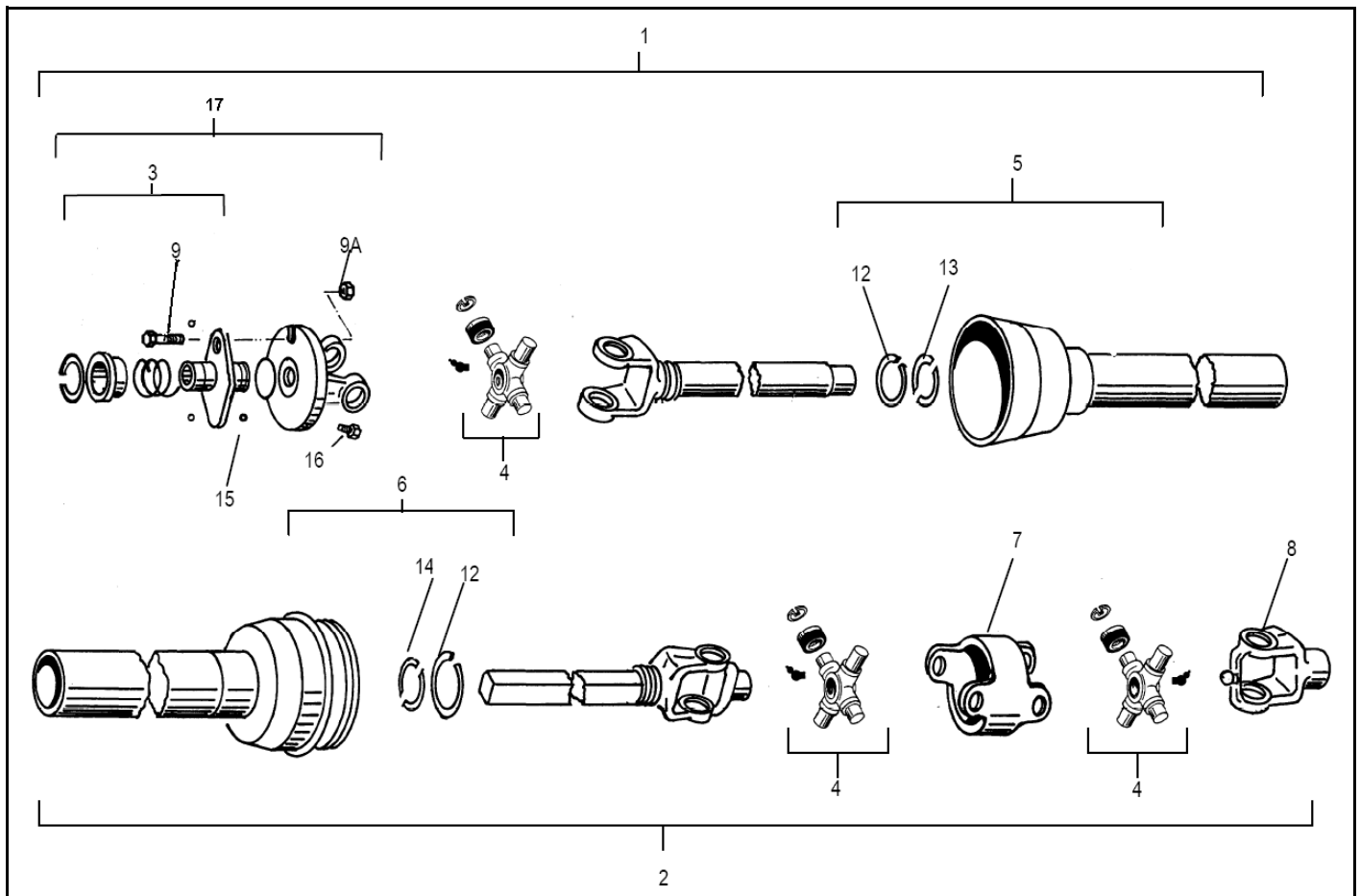
MK FLEX HYDRAULIC HOSE LAYOUT



ITEM	PART NO.	DESCRIPTION
1	28747	3/8" X 358" HYDRAULIC HOSE, MK FLEX
2	28748	3/8" X 376" HYDRAULIC HOSE, MK FLEX
3	28749	3/8" X 448" HYDRAULIC HOSE, MK FLEX
4	28750	3/8" X 466" HYDRAULIC HOSE, MK FLEX
5	28751	3/8 X 88" HYDRAULIC HOSE, MK FLEX
6	28752	3/8" X 124" HYDRAULIC HOSE, MK FLEX
7	28753	3/8" X 514" HYDRAULIC HOSE, MK FLEX
8	28754	3/8" X 52" HYDRAULIC HOSE, MK FLEX
9	28755	3/8" X 64" HYDRAULIC HOSE, MK FLEX
10	28756	3/8" X 88" HYDRAULIC HOSE, MK FLEX

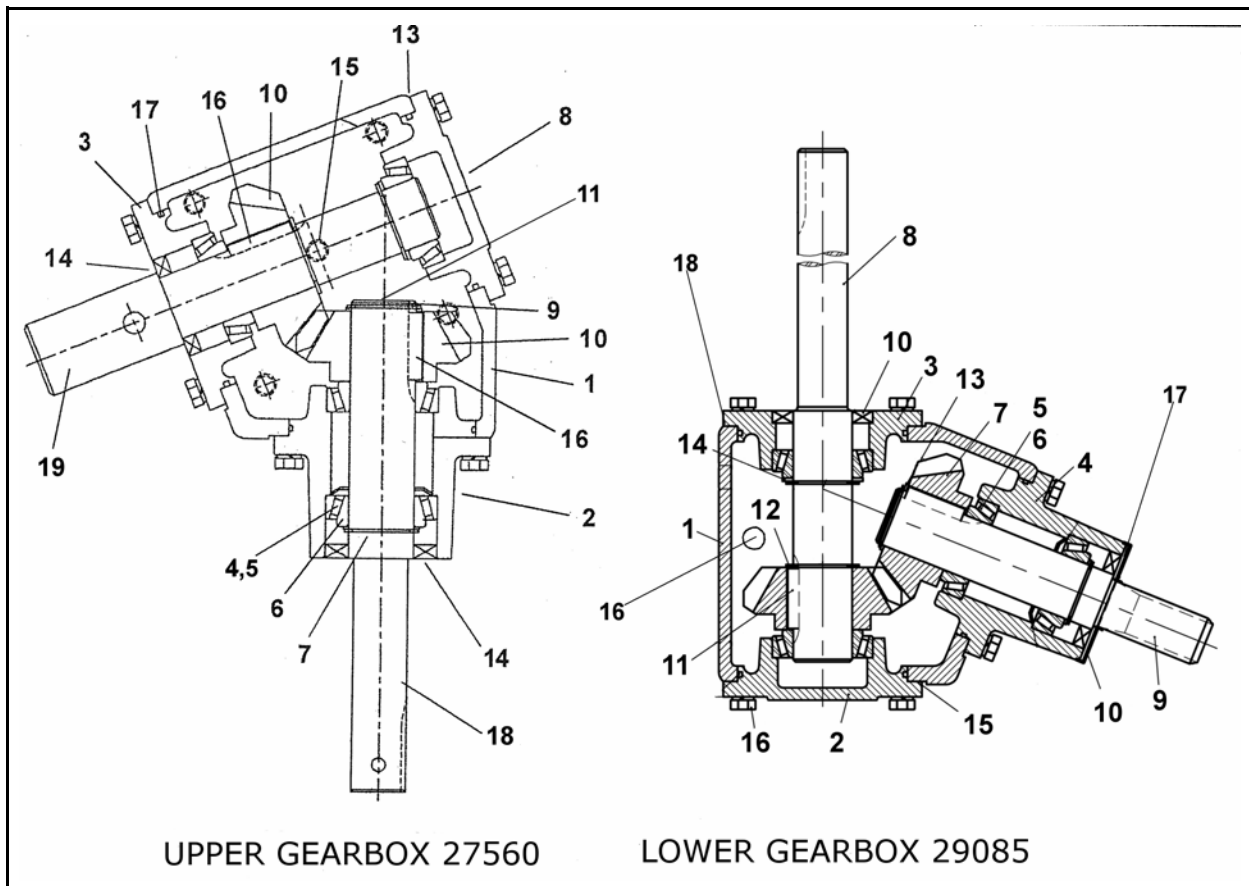
ITEM	PART NO.	DESCRIPTION
A	28763	STEEL TEE, 6MNPT X 6 MJIC X 6MJIC RUN
B	28762	STEEL ELBOW 90, 6MJIC X 6FJIC
C	28764	STEEL ELBOW 90, 6MNPT X 6MNPT
D	18084	3/8" BALL VALVE
E	28757	STEEL ELBOW 90, 6MNPT X 6FNPSM
F	28758	STEEL ELBOW 45, 10 MORB X 8MJIC
G	28760	STEEL 10 MORB X 8 MJIC
H	28761	STEEL ELBOW 90, 8MJIC X 8FMJIC
J	28759	STEEL ELBOW 90, 10 MORB X 8MJIC
K	28504	STEEL ELBOW 45, 6 MORB X 6MJIC
L	28478	STEEL ELBOW 1/2 MNPT X 1/2 FNPSM
M	28508	STEEL, 8 MORB X 1/2 FNPSM X 1/16 ORFICE
N	28564	#8 M-ORB-1/2F-NPT-90° FITTING

CONSTANT VELOCITY PTO SHAFT (WEASLER)



ITEM	PART NUMBER		DESCRIPTION
	MK 71	MK 81/91/111	
1	18268	17544	1/2 PTO SHAFT, TRACTOR END
2	18269	17545	1/2 PTO SHAFT, IMPLEMENT END
1&2	18455	17542	COMPLETE PTO SHAFT
3	18270	17546	SPRING LOCK REPAIR KIT
4	18271	17547	UNIVERSAL JOINT REPAIR KIT
5	18272	17548	PLASTIC SHIELD C/W REFERENCE NO. 12 & 13, TRACTOR END
6	18273	17549	PLASTIC SHIELD C/W REFERENCE NO. 12 & 14, IMPLEMENT END
7	18274	17550	CV CENTRE HOUSING
8	18358	17551	END YOKE
9 & 9A	18454	18454	3/8" - 16 X 1", BOLT AND LOCKNUT
12	18467	--	RETAINER RING
13	--	17552	NYLON BEARING C/W REFERENCE NO. 12
14	18441	--	NYLON BEARING
14	--	17553	NYLON BEARING C/W REFERENCE NO. 12
15	18470	18470	BALL BEARING KIT
16	19995	--	BOLT, 3/8 - 16 X 1/2", GR5
16	--	19955	BOLT, 3/8 - 16 X 1"
17	18485	18485	BLANK DISC
18	18440	17554	SHEAR ASM

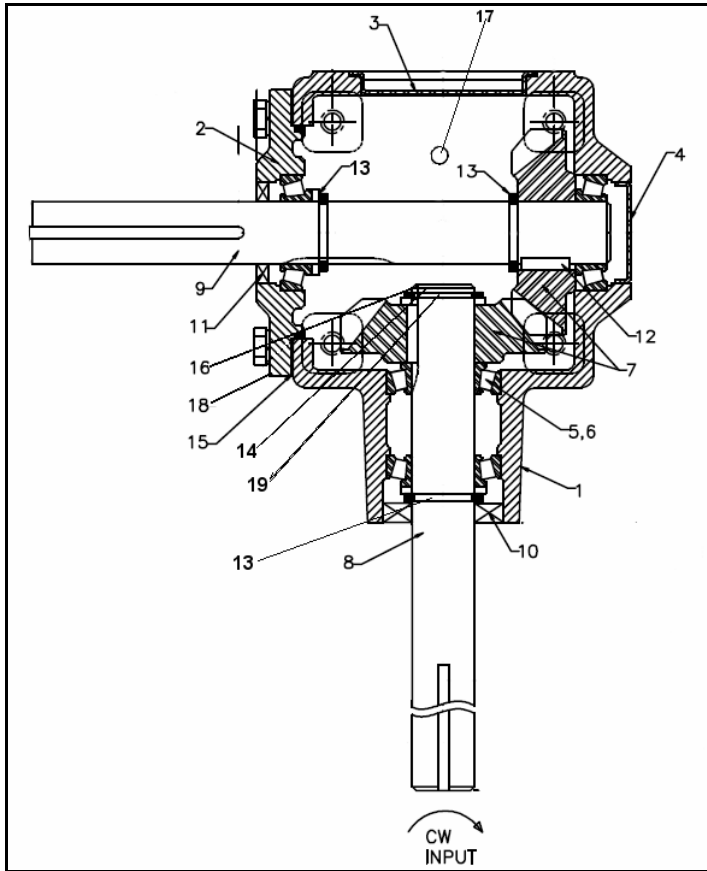
FLEX GEARBOX



GEARBOX (27560)		
ITEM	PART NO.	DESCRIPTION
1	27690	HOUSING
2	27691	QUILL
3	27692	END CAP
4	17008	CUP TIMKEN #LM 29710
5	27693	BEARING CUP #LM 29748
6	27694	SPACER
7	27789	RETAINER RING
8	27695	END CAP
9	27696	SHIM
10	27697	GEAR
11	27708	SNAP RING
13	27698	SHIM
14	27699	SEAL, 38.1 X 65.1 X 8
15	28296	9/16" PIPE PLUG WITH O-RING
16	27700	SQUARE KEY, 5/16" X 1-1/2" LG.
17	27701	O-RING, 105 X 3.1MM
18	27703	PINION SHAFT
19	27705	CROSS SHAFT

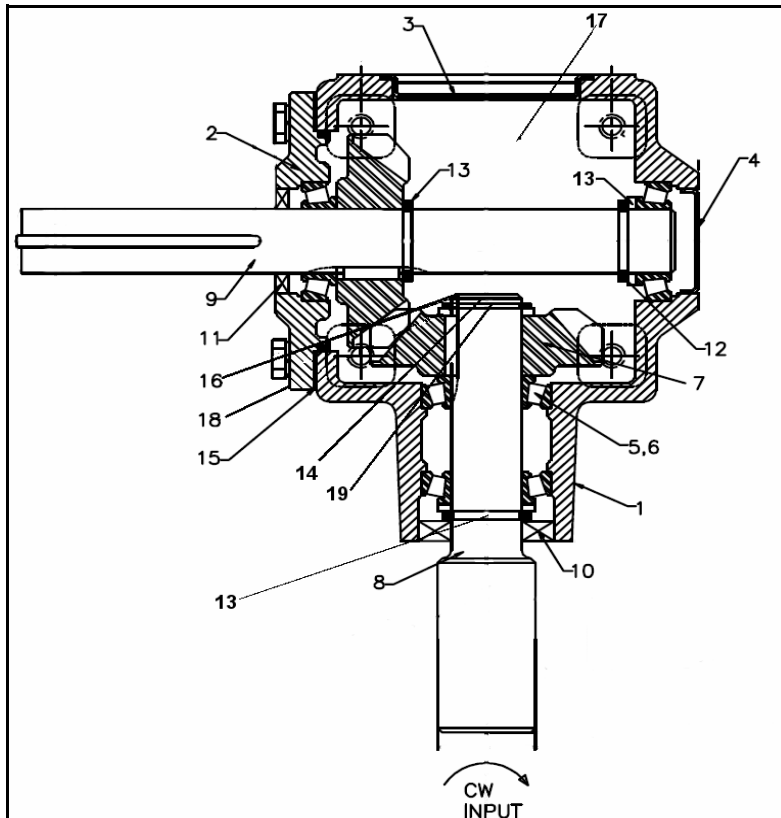
GEARBOX (29085)		
ITEM	PART NO.	DESCRIPTION
1	27690	HOUSING
2	27695	END CAP
3	27692	END CAP
4	27691	QUILL
5	27693	BEARING CUP #LM29748
6	17008	CUP TIMKEN #LM29710
7	27697	GEAR, DP 4.23 TEETH 17
8	29293	SHAFT, CROSS
9	27704	SHAFT, QUILL
10	27699	SEAL, (1.50X2.563X0.315)
11	27700	SQUARE KEY, 5/16" X 1.61"
12	27789	RETAINER RING
13	27696	SHIM
14	27708	SNAP RING
15	27698	GASKET
16	28296	PIPE, PLUG, 1/4" NPT (1/4" HEX)
17	27702	SHIELD
18	27701	O-RING, 105 X 3.1 MM

GEARBOXES FLEX TUBE



28644

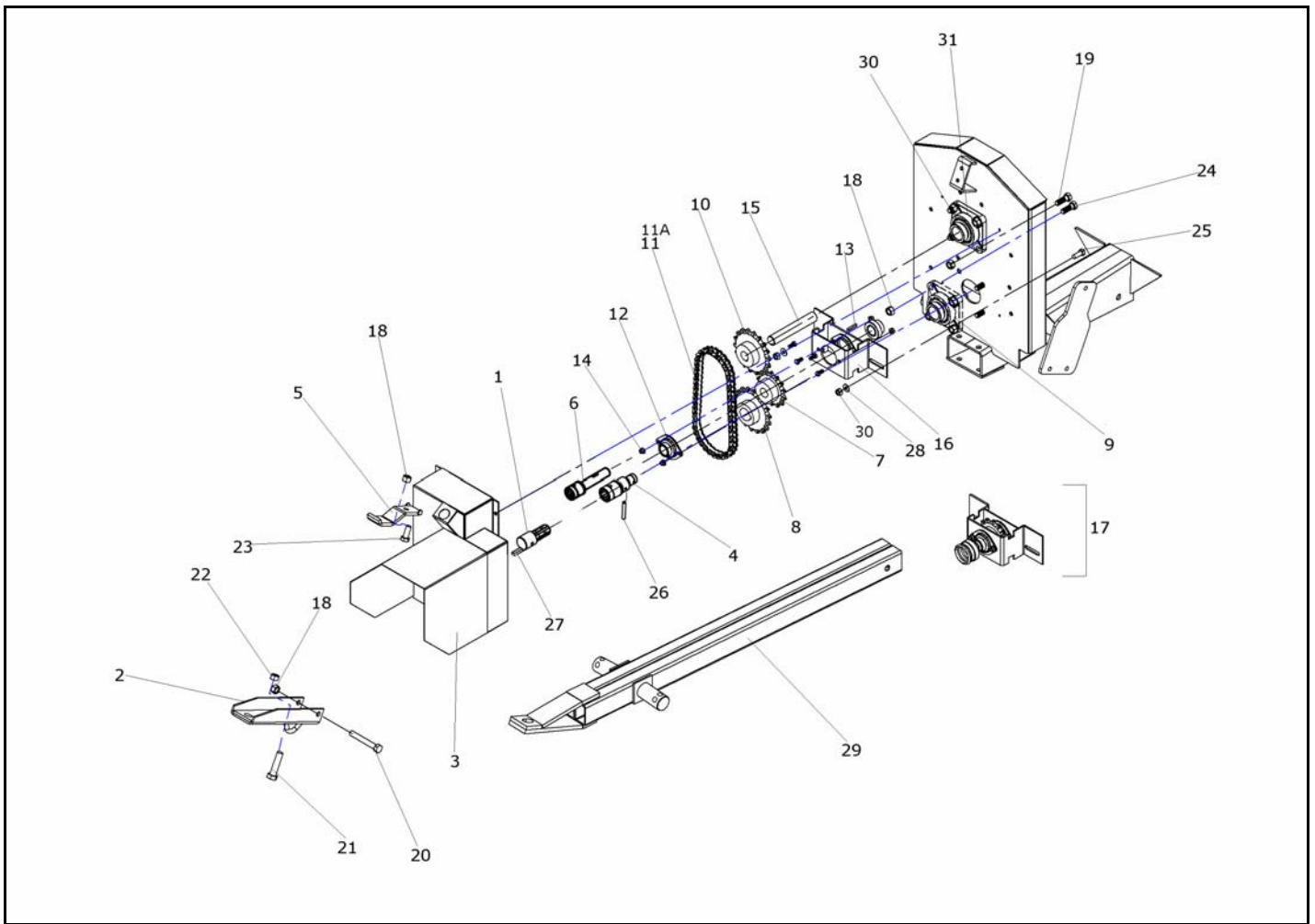
ITEM	PART NO.	DESCRIPTION
1	17173	HOUSING
2	18423	END CAP
3	17177	STAMPING COVER
4	18963	EXP. PLUG
5	19266	BEARING CUP
6	19265	BEARING CUP
7	18428	GEAR, DP 4 TEETH 17
8	29065	SHAFT, QUILL
9	29066	SHAFT, CROSS
10	18427	SEAL (1.25X2.374X0.315)
11	18403	SEAL (1.25X2.00X0.315)
12	18425	SQUARE KEY 1/4" X 1.14"
13	18405	RETAINER
14	18426	SPACER
15	18553	GASKET
16	18411	SHIM
17	28296	1/4" NPT PIPE PLUG
18	27701	O-RING 105mm X 3.1
19	18965	SNAP RING



28630

ITEM	PART NO.	DESCRIPTION
1	17173	HOUSING
2	18423	END CAP
3	17177	STAMPING COVER EXP PLUG
4	18963	STAMPING COVER
5	19265	BEARING CUP
6	19266	BEARING CUP
7	18428	GEAR, DP 4 TEETH 17
8	20963	SHAFT, QUILL
9	29064	SHAFT, CROSS
10	18427	SEAL (1.25X2.374X0.315)
11	18403	SEAL (1.25X2.00X0.315)
12	18425	SQUARE KEY 1/4" X 1.14"
13	18405	RETAINER
14	18426	SPACER
15	18553	GASKET
16	18411	SHIM
17	28296	1/4" NPT PIPE PLUG
18	27701	O-RING 105mm X 3.1
19	18965	SNAP RING

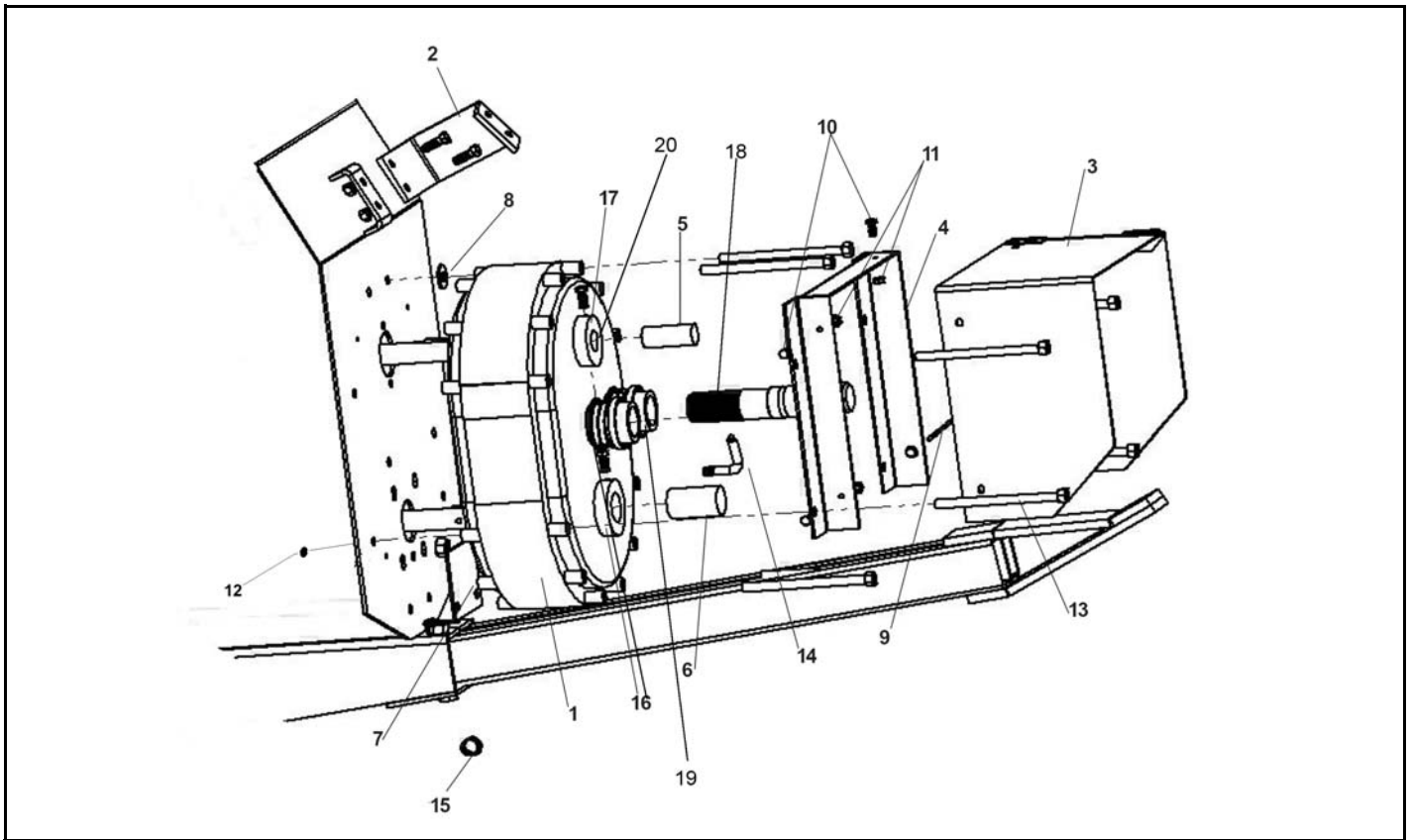
REVERSER, FLEX AUGERS



ITEM	PART NO.	DESCRIPTION
1	17023	MK130 FLEX SPLINE SHAFT
2	17056	TOW BAR EXTENSION
3	17058	REVERSER COVER ASM.
4	17052	MK130 REVERSER LOWER COUPLER
5	17064	SADDLE BRACKET EXTENSION
6	17054	MK130 REVERSER COUPLER
7	17068	SPROCKET 80B14 X 1-1/4"
8	18525	SPROCKET 80B18 X 1.75"
9	18518	1-3/4" BEARING, W/ 4 BOLT FLANGE
10	19779	SPROCKET 80B18 X 1.25"
11	19781	80B37 ROLLER CHAIN (30302)
11A	17400	#80 HALF LINK
12	19322	1-1/4" BEARING, W/ 2 BOLT FLANGE
13	19540	BOLT, 3/8" X 3/4" GR2 PLTD
14	19596	WHIZNUT, 3/8" PLTD
15	28924	REVERSER SHAFT, MK FLEX

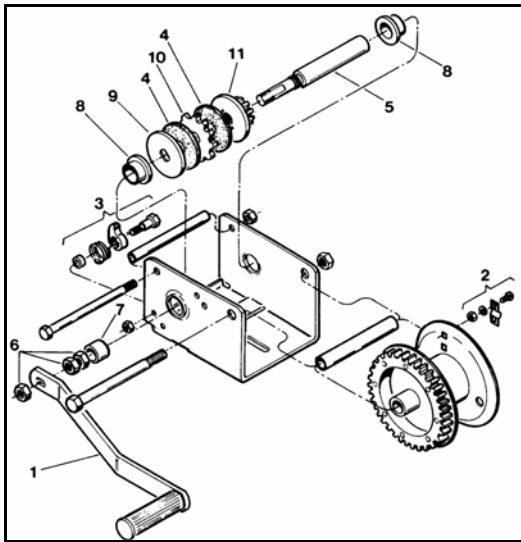
ITEM	PART NO.	DESCRIPTION
16	29242	MK130 REVERSER BASE
17	29243	MK130 REVERSER BASE ASM COMPLETE
18	19600	NYLON LOCKNUT, 5/8"
19	17403	1/2" X 2-1/2" BOLT
20	18545	5/8" X 4-1/2" BOLT
21	19978	3/4" X 3" BOLT
22	19601	3/4" LOCKNUT
23	19590	5/8" X 1-1/2" BOLT
24	18544	5/8" X 1-3/4"
25	19588	1/2" X 1-1/4"
26	18546	3/8" X 2-1/2" ROLL PIN
27	19606	3/8" X 1-3/4" KEY
28	17401	1/2" WASHER
29	28878	TOWBAR, FLEX
30	19599	NYLON LOCKNUT, 1/2" - 13
31	19567	1-1/4" BEARING W/4-BOLT FLANGE

SPEED REDUCER



ITEM	PART NO.	DESCRIPTION
1	27710	SPEED REDUCER GEARBOX, MK130 PLUS
2	27711	SADDLE EXTENSION BRACKET
3	27713	PTO SHIELD, MK130 PLUS
4	27714	PTO SHIELD BRACKET
5	27721	TOP PLUG SHAFT, 1-1/4"
6	27722	BOTTOM PLUG SHAFT, 1-3/4"
7	28292	SHIM PLATE
8	17401	FLAT WASHER, 1/2"
9	18155	COTTER PIN, 3/16" X 1-1/4"
10	19538	BOLT, 5/16" X 3/4"
11	19595	5/16" SERRATED FLANGE NUT PLTD
12	19599	NYLON LOCKNUT, 1/2" - 13
13	27719	BOLT, 1/2" X 7"
14	28603	BREATHER TUBE
15	27712	SMALL SPACER, TOW BAR
16	28526	OIL SEAL (80X60X8)
17	28527	OIL SEAL (95X75X10)
18	28035	SPLINED SHAFT
19	29067	BEARING AND RACE SMALL
20	29068	BEARING AND RACE LARGE

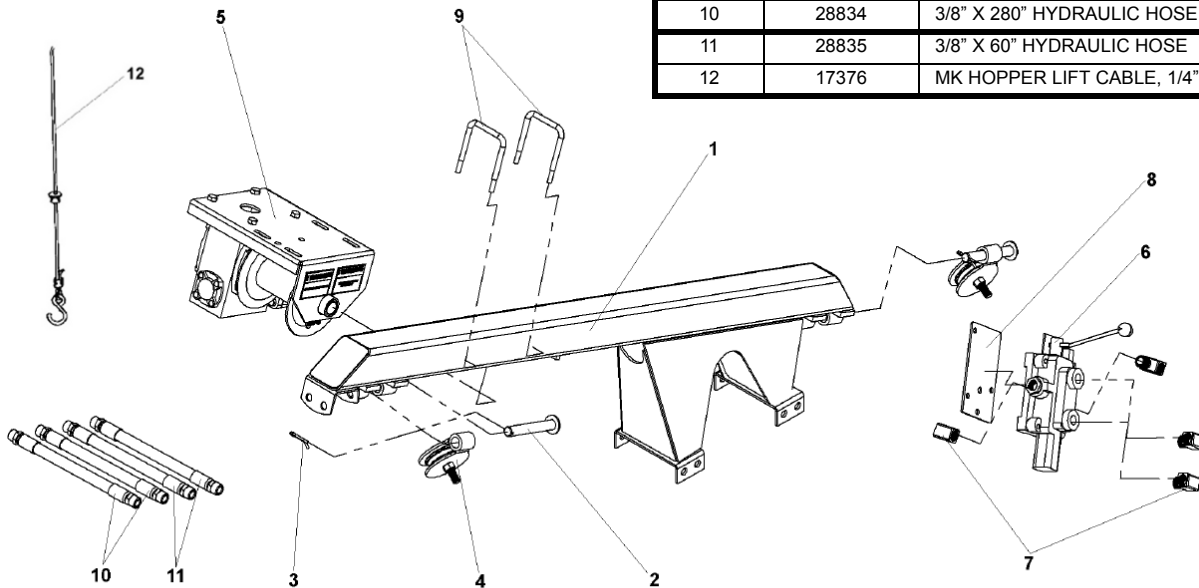
WINCH, (FULTON MODEL K1550)



ITEM	PART NO.	DESCRIPTION	CROSS REF.
1	18561	HANDLE ASM	
2	18496	ROPE KEEPER KIT	
3	18497	RATCHET KIT	
4	18573	FRICTION DISC	
5	18574	INPUT SHAFT	
6	18567	LOCKNUT, 1/2 - 13, SPECIAL	
7	18575	SPACER	
8	18438	STEEL BUSHING	
9	18576	BRAKE DISC	
10	18577	RATCHET GEAR ASM	
11	18578	PINION AND DISC ASM	
12	19152	WINCH, COMPLETE	0702001

MK FLEX HOPPER LIFT ARM ASM AND HYDRAULIC WINCH

SEE PAGE 19 FOR HYDRAULIC HOSES AND FITTING PARTS



ITEM	PART NO.	DESCRIPTION
1	28879	HOPPER LIFT ARM, MK FLEX
2	28885	LIFT ARM SPINDLE, MK FLEX
3	18155	COTTER PIN, 3/16" x 1-1/4"
4	28836	LIFT ARM PULLEY ASM, MK FLEX
5	17634	HYD WINCH ASM
6	17675	HYDRAULIC VALVE
7	17699	VALVE FITTINGS
8	28923	HYD WINCH VALVE MOUNT, MK FLEX
9	28833	U-BOLT SQ 3/8" NC X 3-1/16" X 4" X 1" THD GR5 PLTD
10	28834	3/8" X 280" HYDRAULIC HOSE
11	28835	3/8" X 60" HYDRAULIC HOSE
12	17376	MK HOPPER LIFT CABLE, 1/4" X 31'

WESTFIELD

Westfield Industries is a Division of Ag Growth Industries LP

Part of the Ag Growth International Inc. Group

P.O. Box 39

Rosenort, Manitoba, Canada R0G 1W0

Phone: (866) 467-7207 (Canada & USA)

Fax: (866) 768-4852

website: www.grinaugers.com

email: sales@grinaugers.com

© Ag Growth Industries Limited Partnership 2010

Printed in Canada