



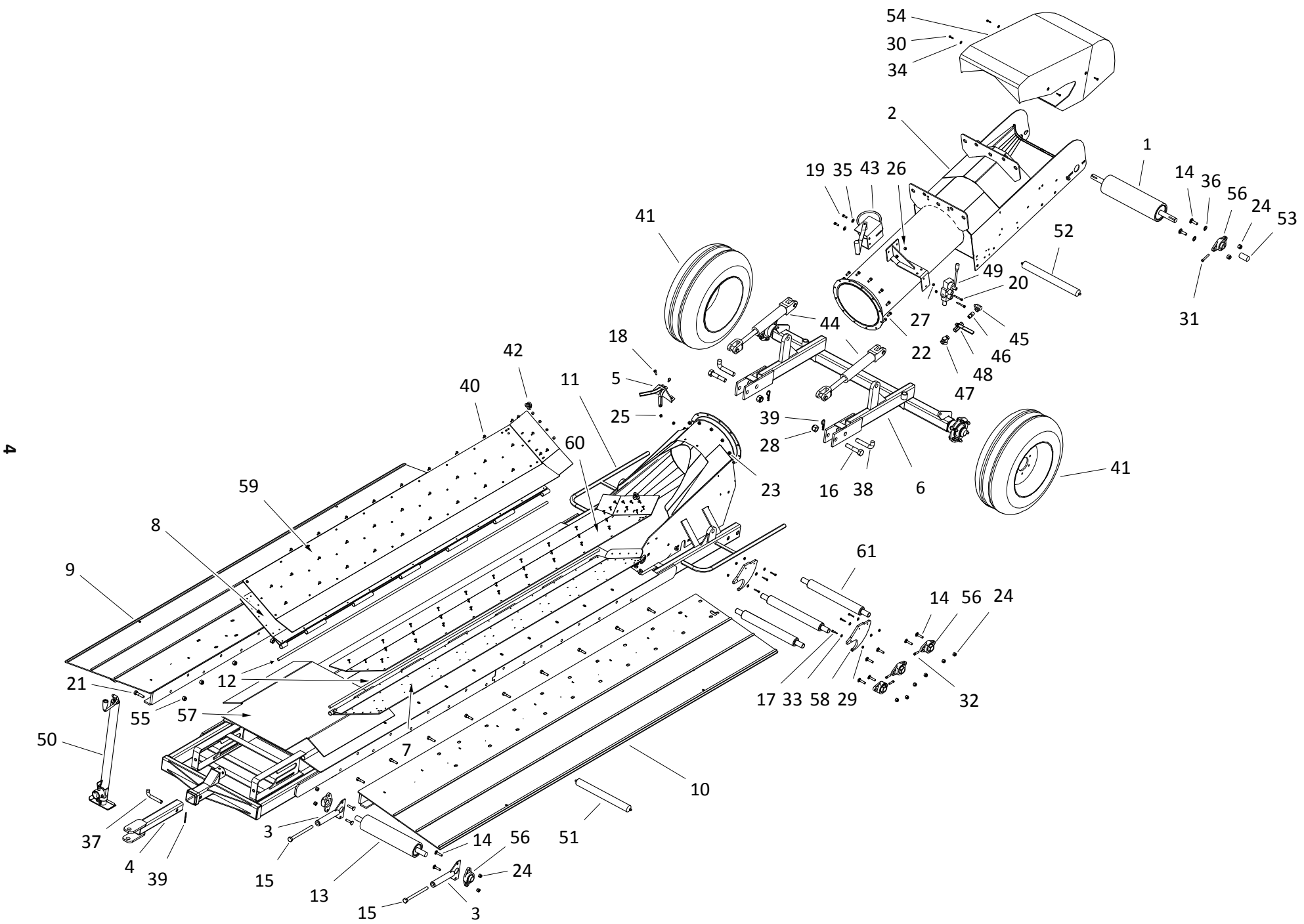
PITSTOPS

PARTS MANUAL

TABLE OF CONTENTS

| DESCRIPTION | PAGE |
|---|------|
| FX 1800 SERIES (25001098) | 4 |
| HYDRAULIC DRIVE KIT (25001050) | 8 |
| HYDRAULIC WET KIT (ELECTRIC DRIVE KIT) 25001051 | 10 |
| ELECTRIC DRIVE KIT (25001031) | 12 |
| GAS DRIVE KIT (25591066) | 14 |
| HYDRAULIC WET KIT (GAS DRIVE KIT) 25001041 | 16 |
| FX 2400 SERIES (25001090) | 18 |
| HYDRAULIC DRIVE KIT (250010031) | 22 |
| ELECTRIC DRIVE KIT (250010311) | 24 |
| GAS DRIVE KIT (25591076) | 26 |
| HYDRAULIC WET KIT (GAS DRIVE KIT) 25001041 | 28 |
| 1800 SERIES (25001068) | 30 |
| HYDRAULIC DRIVE KIT (25001003) | 34 |
| 18" PITSTOP ELECTRIC DRIVE KIT (25001001) | 36 |
| HYDRAULIC WET KIT (ELECTRIC DRIVE KIT) 25001004 | 38 |
| 2400 SERIES (25001070) | 40 |
| HYDRAULIC DRIVE KIT (250010031) | 44 |
| ELECTRIC DRIVE KIT (250010011) | 46 |

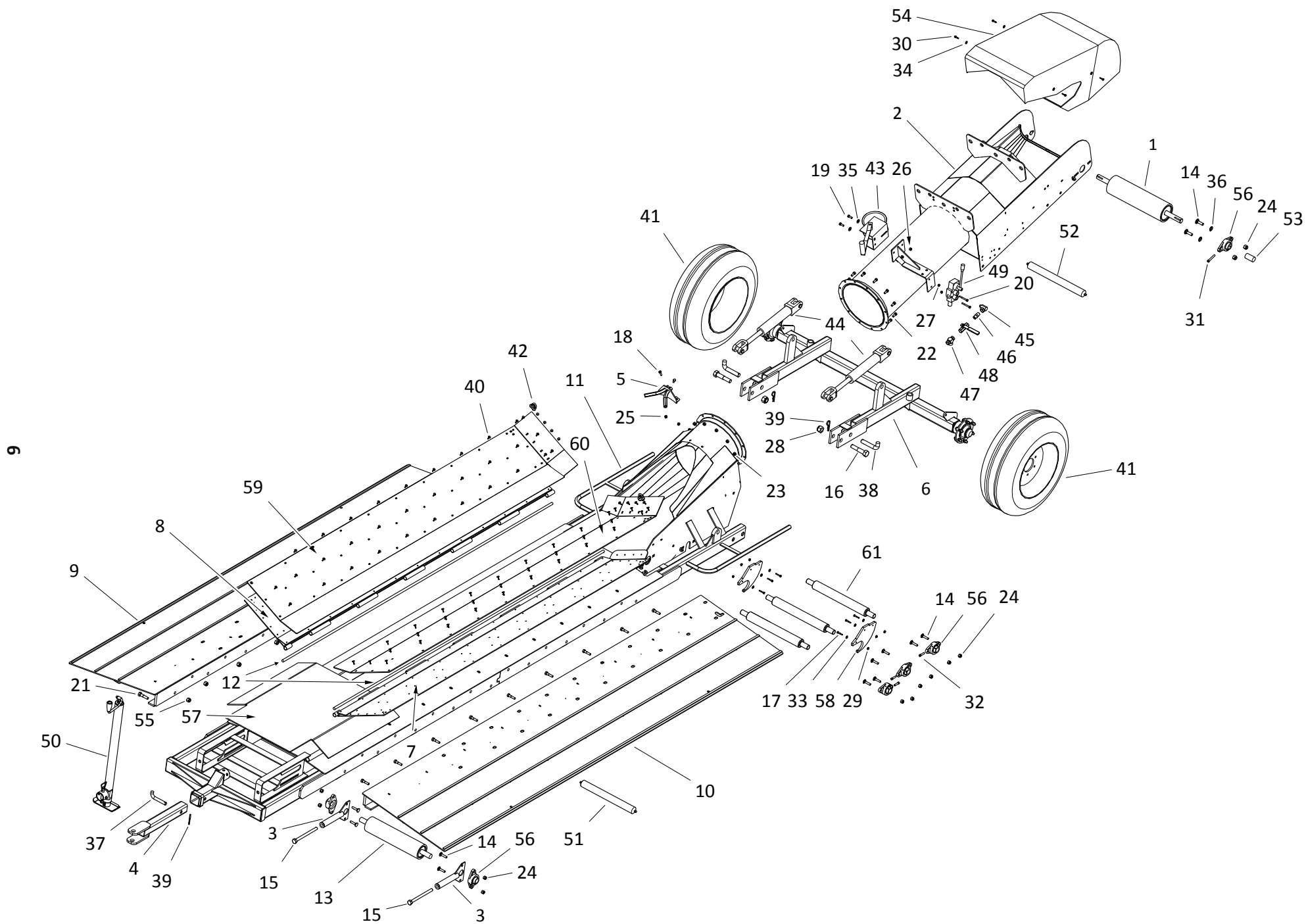
FX 1800 SERIES (25001098)



FX 1800 SERIES (25001098)

| ITEM | PART NO. | DESCRIPTION |
|------|----------|-------------------------------------|
| 1 | 18070007 | TRANSFER SPOUT ROLLER |
| 2 | 18100029 | BCX PITSTOP SPOUT |
| 3 | 25010001 | PITSTOP TIGHTENER |
| 4 | 25010005 | PITSTOP TONGUE |
| 5 | 25010015 | CABLE GUIDE - PIT |
| 6 | 25030003 | AXLE WELDMENT |
| 7 | 25030083 | 18/24 FLAP WELDMENT RH- BCX |
| 8 | 25030084 | 18/24 FLAP WELDMENT LF- BCX |
| 9 | 25030111 | PITSTOP RAMP WELDMENT LEFT |
| 10 | 25030112 | PITSTOP RAMP WELDMENT RIGHT |
| 11 | 25030140 | 18 BCX PITSTOP CENTER WELDMENT |
| 12 | 25033076 | Hinge Pin For Pitstop Flap |
| 13 | 25070002 | PITSTOP TAKE-UP ROLLER |
| 14 | P0113001 | CARRIAGE BOLT 1/2"X2" PLATED |
| 15 | P0114010 | TAP BOLT 3/4 X 9 UNC GR.5 PLATED |
| 16 | P0118007 | BOLT 1" X 4-1/2" GR8 PLATED |
| 17 | P0118026 | BOLT 1/4" X 1-1/2" GR8 PLATED |
| 18 | P0118046 | BOLT 3/8" X 1" GR8 PLATED |
| 19 | P0118046 | BOLT 3/8" X 1" GR8 PLATED |
| 20 | P0118063 | BOLT 5/16" X 2-1/2" GR8 PLATED |
| 21 | P0118070 | BOLT 5/8" X 2-1/2" GR8 PLATED |
| 22 | P0118076 | BOLT 7/16"X1" GRADE 8 PLATED |
| 23 | P0134007 | LOCKNUT-NYLON-7/16" |
| 24 | P0134008 | LOCKNUT-NYLON-1/2" |
| 25 | P0134026 | LOCKNUT-NYLON-3/8" GRADE 8 |
| 26 | P0134026 | LOCKNUT-NYLON-3/8" GRADE 8 |
| 27 | P0134027 | LOCKNUT-NYLON-5/16" GRADE 8 |
| 28 | P0134030 | LOCKNUT-NYLON-1" GRADE 8 |
| 29 | P0134104 | LOCKNUT-TENSILOCK-1/4" GR 5 |
| 30 | P0141002 | TEK SCREW 1/4"X1" |
| 31 | P0145002 | SET SCREW-7/16"X2-1/2"SQ.HD. |
| 32 | P0145004 | SET SCREW-7/16"X1-1/2"SQ.HD.PLATED |
| 33 | P0151006 | FLAT WASHER 1/4"PLATED USS |
| 34 | P0151006 | FLAT WASHER 1/4"PLATED USS |
| 35 | P0151009 | FLAT WASHER 3/8"PLATED USS |
| 36 | P0151037 | FLAT WASHER 0.531 SQUARE-1.00-0.060 |
| 37 | P0162002 | Pin Hitch 3/4 x 3 1/2 |
| 38 | P0162003 | HITCH PIN 1" X 3-1/2" PLATED |
| 39 | P0163001 | HAIR PIN 3/16" X 3-1/4" |
| 40 | P0186019 | RIVET-STEEL BODY 1/4" X 3/4" |
| 41 | P0615308 | TIRE ASM -6BLT ST205/75R15 LRC 6PL |
| 42 | P0712105 | CABLE CLAMP-5/16" GALV. |
| 43 | P0714105 | WINCH T1602-1366(19141) |
| 44 | P0812008 | HYD CYL 2x8 |
| 45 | P0820009 | SWIVEL-6MORBX1/2"FPT/90D |
| 46 | P0821133 | HEX NIPPLE-1/2" |

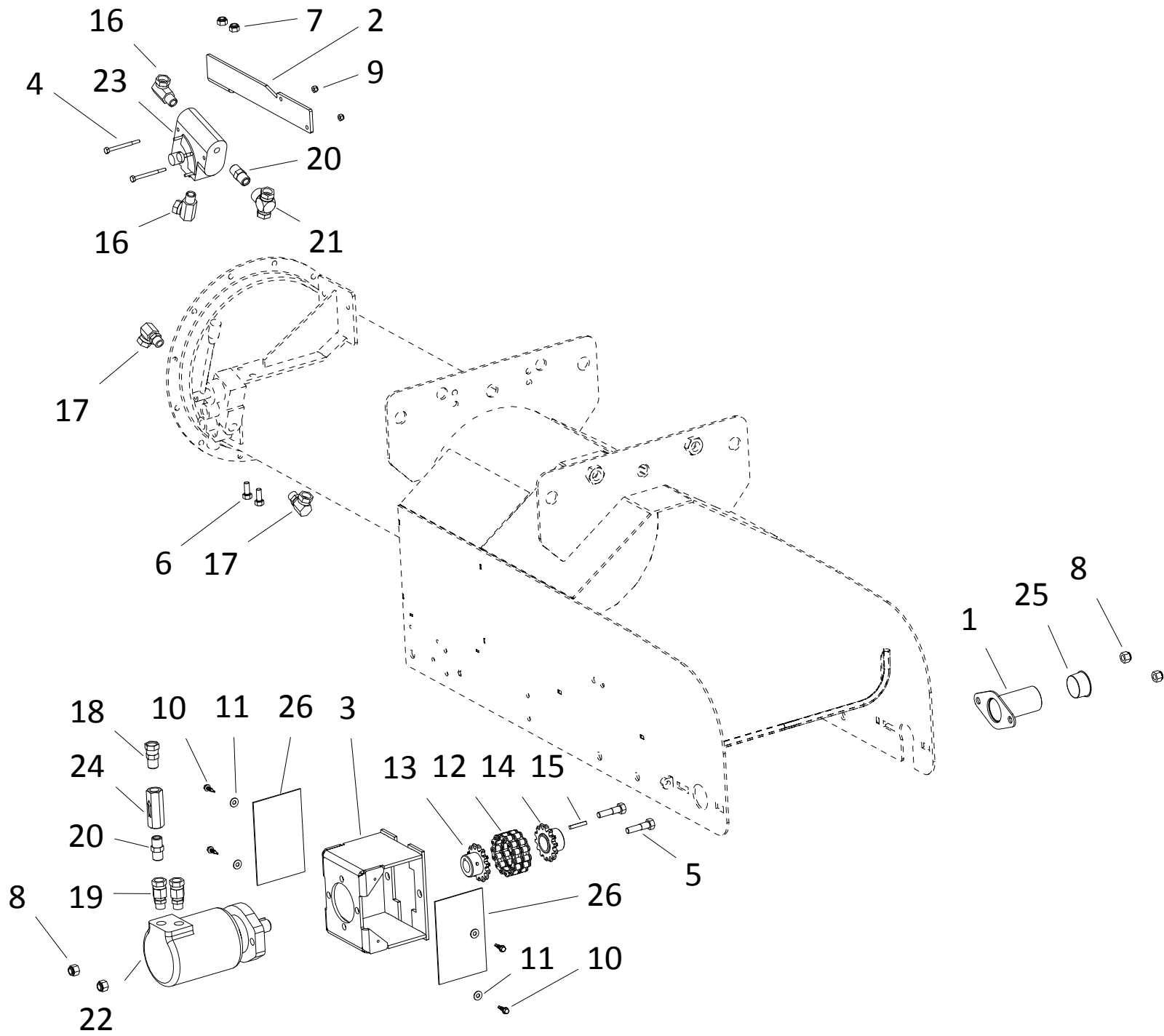
FX 1800 SERIES (25001098)



FX 1800 SERIES (25001098)

| ITEM | PART NO. | DESCRIPTION |
|------|------------|---------------------------------|
| 47 | P0821201 | TEE-SWIVEL-1/2" FEM. |
| 48 | P0861001 | BALL VALVE-1/2" |
| 49 | P0861014 | VALVE-CONTROL |
| 50 | P1012009 | JACK-7000LB SQ.TUBE 25" EXT |
| 51 | P1021013 | TRENCH HEX ROLLER 18S |
| 52 | P1021015 | HEX RETURN ROLLER 18S |
| 53 | P1210012 | VINYL CAP 1 1/4 X 2 1/2 |
| 54 | P1211806 | HOOD-LG SQUARE 18 SERIES |
| 55 | P01340101 | LOCKNUT-NYLON-5/8" GRADE 8 |
| 56 | P1711002 | FLANGE UNIT-1-1/4"-SAFL206-20 |
| 57 | P11259005 | FOOT GUARD FLASHING (rev1) |
| 58 | P19159028 | 18S BCX PITSTOP SIDE FLASHING |
| 59 | P19259005 | FX2 PITSTOP SIDE FLASHING LEFT |
| 60 | P19259006 | FX2 PITSTOP SIDE FLASHING RIGHT |
| 61 | P20325001 | PITSTOP TRANSITION ROLLER |
| 62 | 18570013 | 18S BELT LACING PIN KIT |
| 63 | 25000709 | NEW 18" PITSTOP 48' |
| 64 | P0832016 | HOSE 3/8(2')-1/2"MPT-1/2"MPT PC |
| 65 | P0832023 | HOSE 3/8(10")-1/2MPT-1/2MPT PC |
| 66 | P0832034 | HOSE 3/8(3'7")-1/2MPT-1/2MPT PC |
| 67 | P302000051 | HOLDER MANUAL W/CAP |

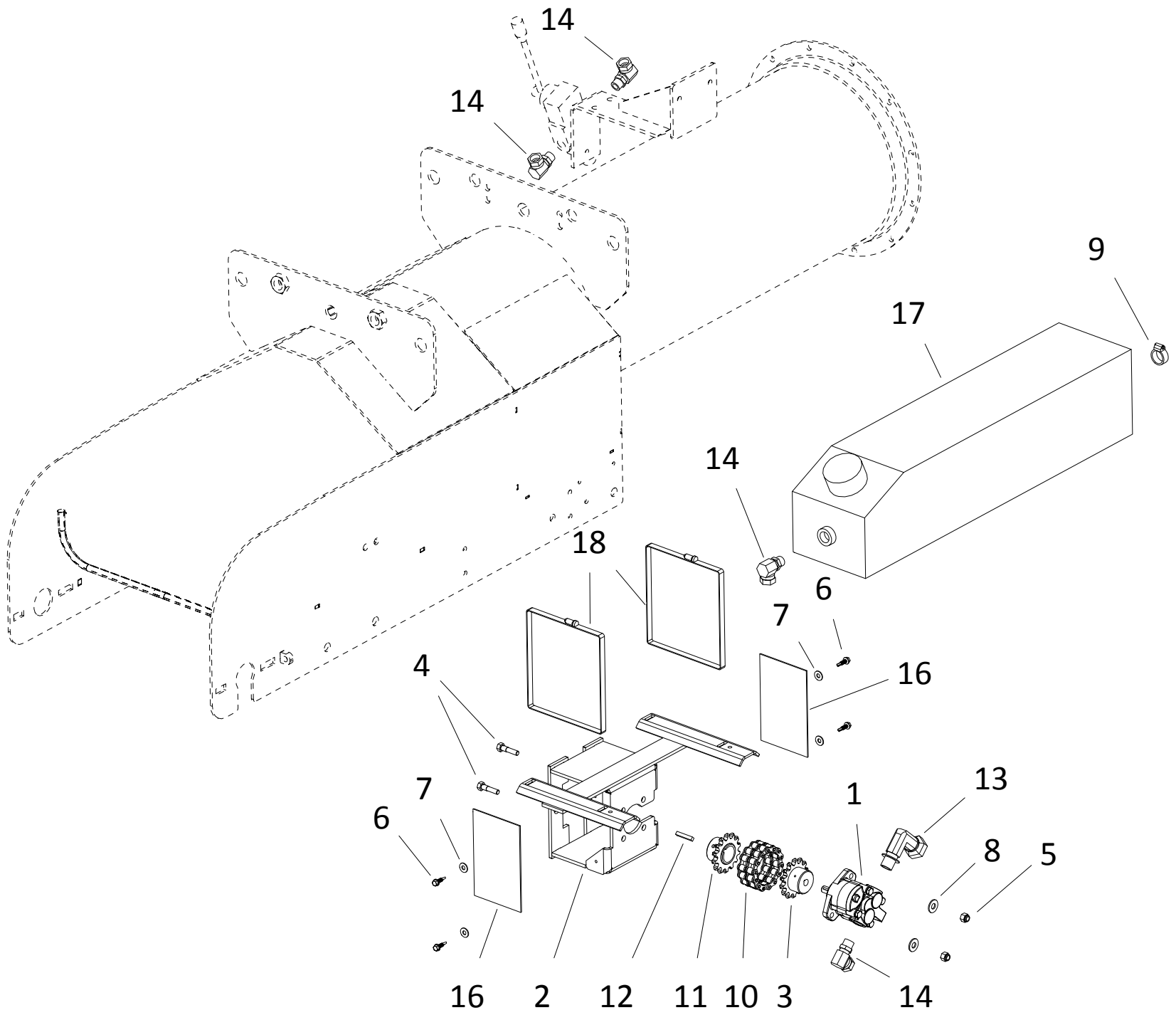
HYDRAULIC DRIVE KIT (25001050)



HYDRAULIC DRIVE KIT (25001050)

| ITEM | PART NO. | DESCRIPTION |
|------|----------|-------------------------------------|
| 1 | 13041038 | SHAFT GUARD(FL-206) |
| 2 | 25010002 | FLOW CONTROL BRACKET |
| 3 | 25060039 | 18S PITSTOP HYDRAULIC MOUNT |
| 4 | P0115122 | BOLT 1/4" X 3" GR8 PLATED |
| 5 | P0118016 | BOLT 1/2" X 2" GR8 PLATED |
| 6 | P0118076 | BOLT 7/16"X1" GRADE 8 PLATED |
| 7 | P0134007 | LOCKNUT-NYLON-7/16" |
| 8 | P0134008 | LOCKNUT-NYLON-1/2" |
| 9 | P0134023 | LOCKNUT-NYLON-1/4" GR8 |
| 10 | P0141002 | TEK SCREW 1/4"X1" |
| 11 | P0151006 | FLAT WASHER 1/4"PLATED USS |
| 12 | P0311001 | ROLLER CHAIN FOR DRIVE(50-2RX14+CL) |
| 13 | P0335140 | SPROCKET 5014 1.0(KEY0.25) |
| 14 | P0335141 | SPROCKET 5014 1.25(KEY0.25) |
| 15 | P0391003 | KEY 1/4" X 1-1/2" LONG |
| 16 | P0820001 | SWIVEL-1/2"90 DEGREE |
| 17 | P0820010 | SWIVEL-8MORBX1/2"FPT/90D |
| 18 | P0821112 | SWIVEL-1/2" STRAIGHT |
| 19 | P0821114 | SWIVEL-10ORBX1/2"FS |
| 20 | P0821133 | HEX NIPPLE-1/2" |
| 21 | P0821201 | TEE-SWIVEL-1/2" FEM. |
| 22 | P0841019 | HYD MOTOR-6.2-2000-1" |
| 23 | P0861016 | VALVE-FLOW CONTROL 1/2 |
| 24 | P0861035 | CHECK VALVE-1/2" (NO HOLE) |
| 25 | P1210032 | FL-206 SHAFT GUARD PLUG |
| 26 | P1210100 | 1 1/4 HYDMTR GUARD 4.5 X 6.5 |
| 27 | P0832013 | HOSE 1/2(6'7")-1/2"MPT-1/2"MPT PC |
| 28 | P0832014 | HOSE 1/2(1'10")-1/2"MPT-1/2"MPT PC |
| 29 | P1243001 | CABLE TIE 14" 120 LB |

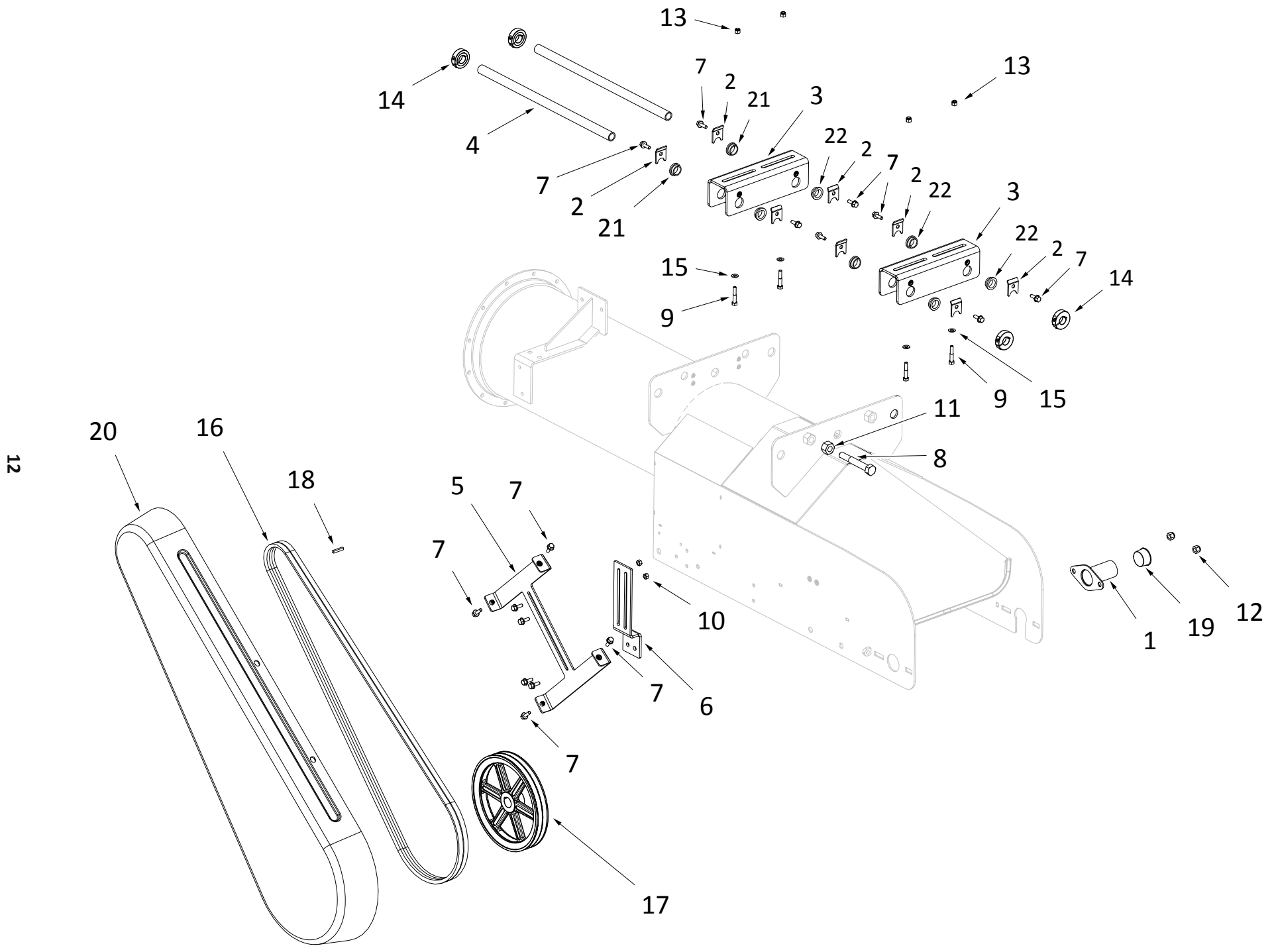
HYDRAULIC WET KIT (ELECTRIC DRIVE KIT) 25001051



HYDRAULIC WET KIT (ELECTRIC DRIVE KIT) 25001051

| ITEM | PART NO. | DESCRIPTION |
|------|--------------|-------------------------------------|
| 1 | 2300143 | PUMP,GEAR,W/SIDE PORTS,D22AA2A |
| 2 | 25010055 | 18S PITSTOP PUMP WET KIT MOUNT |
| 3 | 99501408 | SPROCKET 5014W 0.5 (KEY 0.125) |
| 4 | P0115113 | BOLT 3/8" X 1-1/2" GR8 PLATED |
| 5 | P0134026 | LOCKNUT-NYLON-3/8" GRADE 8 |
| 6 | P0141002 | TEK SCREW 1/4"X1" |
| 7 | P0151006 | FLAT WASHER 1/4"PLATED USS |
| 8 | P0151009 | FLAT WASHER 3/8"PLATED USS |
| 9 | P0184006 | HOSE CLAMP-3/4"(HS12) |
| 10 | P0311001 | ROLLER CHAIN FOR DRIVE(50-2RX14+CL) |
| 11 | P0335141 | SPROCKET 5014 1.25(KEY0.25) |
| 12 | P0391003 | KEY 1/4" X 1-1/2" LONG |
| 13 | P0820003 | SWIVEL-10ORBX1/2F90 |
| 14 | P0820010 | SWIVEL-8MORBX1/2"FPT/90D |
| 16 | P1210100 | 1 1/4 HYDMTR GUARD 4.5 X 6.5 |
| 17 | P029900052-3 | TANK, 22L, BLK W/FTG, CAP HOSE |
| 18 | P029900216 | GEAR CLAMP 32" |
| 19 | 01010008 | HOSE 1/2(7'6")-1/2"MPT-1/2"MPT |
| 20 | 01010009 | HOSE 3/4(3')-1/2"MPT-HOSE |
| 21 | P0832012 | HOSE 1/2(9'6")-1/2"MPT-1/2"MPT PC |
| 22 | P1243001 | CABLE TIE 14" 120 LB |

ELECTRIC DRIVE KIT (25001031)

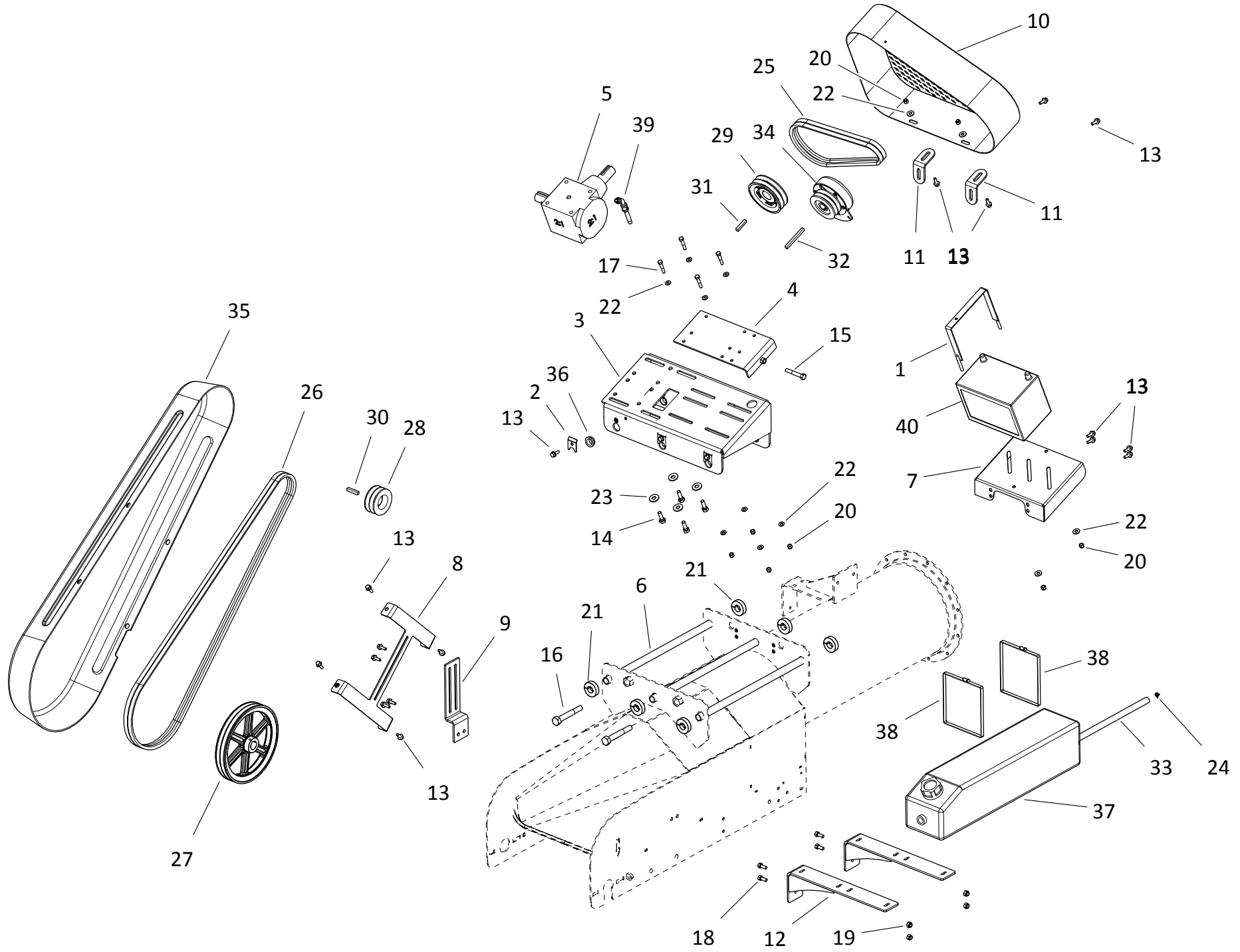


ELECTRIC DRIVE KIT (25001031)

| ITEM | PART NO. | DESCRIPTION |
|------|----------|----------------------------------|
| 1 | 13041038 | SHAFT GUARD(FL-206) |
| 2 | 15060088 | BUSHING RETAINER (PNT) |
| 3 | 18062181 | ADJUSTABLE MOUNT 18S PIT |
| 4 | 24063118 | SLIDER ROD 18&24 PIT PROD (23.5) |
| 5 | 24063122 | H GUARD MOUNT PIT 2019 |
| 6 | 24063123 | Z MOUNT PIT 2019 |
| 7 | P0115205 | FLANGE BOLT 3/8 X 1" PLATED |
| 8 | P0114006 | TAP BOLT 3/4 X 5 PLATED |
| 9 | P0118050 | BOLT 3/8" X 2" GR8 PLATED |
| 10 | P0131018 | NUT 3/8" PLATED GRADE 8 |
| 11 | P0131019 | NUT 3/4" PLATED GRADE 8 |
| 12 | P0134008 | LOCKNUT-NYLON-1/2" |
| 13 | P0134026 | LOCKNUT-NYLON-3/8" GRADE 8 |
| 14 | P0147001 | CSC SHAFT COLLER 1" |
| 15 | P0151009 | FLAT WASHER 3/8"PLATED USS |
| 16 | P0321107 | BELT B107 |
| 17 | P0328009 | PULLEY-DBL-B-14" W/1-1/4"BORE |
| 18 | P0391003 | KEY 1/4" X 1-1/2" LONG |
| 19 | P1210032 | FL-206 SHAFT GUARD PLUG |
| 20 | P1211805 | PIT GUARD (SLOTTED) |
| 21 | P1743017 | IGUS BUSHING 1" ID X 1/2" WIDE |
| 22 | P1743017 | IGUS BUSHING 1" ID X 1/2" WIDE |

GAS DRIVE KIT (25591066)

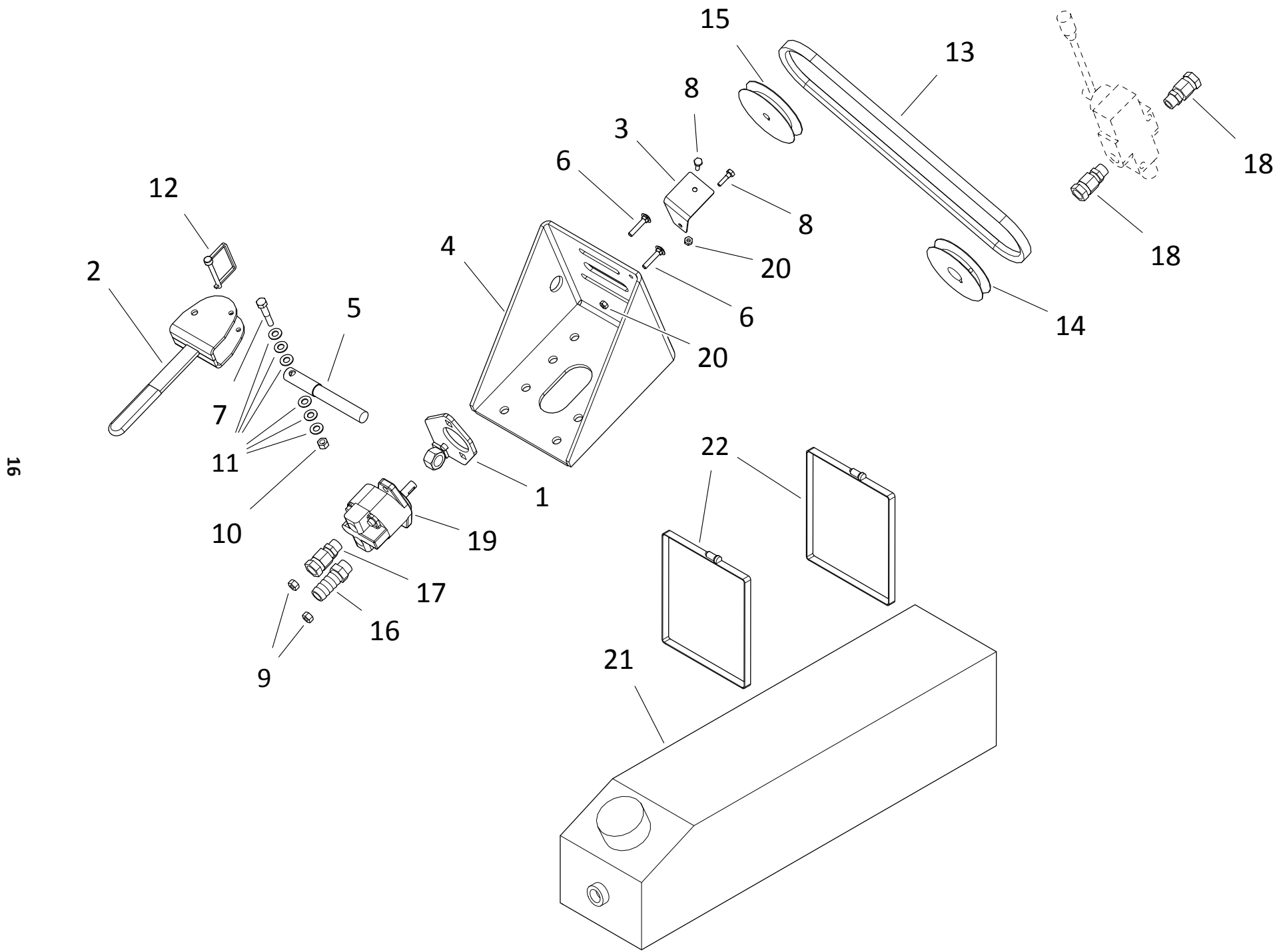
14



GAS DRIVE KIT (25591066)

| ITEM | PART NO. | DESCRIPTION |
|------|------------|-------------------------------------|
| 1 | 13060054 | BATTERY CLAMP |
| 2 | 15060088 | BUSHING RETAINER (PNT) |
| 3 | 18062171 | MOUNT GAS AND ELEC 18 PIT PROD |
| 4 | 18062180 | TIGHTENER PLATE 18 S |
| 5 | 18591001 | GBOX 90 2:1 CW/CCW 1-1/2 4190 W/OIL |
| 6 | 24063118 | SLIDER ROD 18&24 PIT PROD (23.5) |
| 7 | 24063121 | BAT MOUNT 18&24 PIT PROD |
| 8 | 24063122 | H GUARD MOUNT PIT 2019 |
| 9 | 24063123 | Z MOUNT PIT 2019 |
| 10 | 24063127 | PIT GUARD MESHED |
| 11 | 24063128 | GUARD MOUNT PAINTED |
| 12 | 25010021 | PITSTOP HYD AND GAS TANK MOUNT |
| 13 | P0115205 | FLANGE BOLT 3/8 X 1" PLATED |
| 14 | P0118013 | BOLT 1/2"X1 1/2" GR.8 PLATED |
| 15 | P0118018 | BOLT 1/2" X 3" GR8 PLATED |
| 16 | P0118042 | BOLT 3/4" X 5" GR8 PLATED |
| 17 | P0118050 | BOLT 3/8" X 2" GR8 PLATED |
| 18 | P0118076 | BOLT 7/16"X1" GRADE 8 PLATED |
| 19 | P0134007 | LOCKNUT-NYLON-7/16" |
| 20 | P0134026 | LOCKNUT-NYLON-3/8" GRADE 8 |
| 21 | P0147001 | CSC SHAFT COLLER 1" |
| 22 | P0151009 | FLAT WASHER 3/8"PLATED USS |
| 23 | P0151029 | FLAT WASHER 1/2"PLATED USS |
| 24 | P0184033 | WIRE HOSE CLAMP .500" |
| 25 | P0321042 | BELT B42 |
| 26 | P0321102 | BELT B102 |
| 27 | P0328007 | PULLEY-DBL-B-12" W/1-1/4"BORE |
| 28 | P0328018 | PULLEY-DBL-BK-4"H |
| 29 | P0328025 | PULLEY-DBL-6" W/1-1/2"BORE |
| 30 | P0391002 | KEY 3/8" X 2" LONG |
| 31 | P0391003 | KEY 1/4" X 1-1/2" LONG |
| 32 | P0391004 | KEY 1/4" X 3" LONG |
| 33 | P0831008 | FUEL LINE-1/4"ID |
| 34 | P0911003 | ELEC CLUTCH,1-1/8" ENG SHFT, 175 |
| 35 | P1211805 | PIT GUARD (SLOTTED) |
| 36 | P1743017 | IGUS BUSHING 1" ID X 1/2" WIDE |
| 37 | P021200051 | GAS TANK W/CAP W/FITTING-22L |
| 37 | 1200011 | CAP,FOR RESERVOIR & GAS TANK |
| 38 | P029900216 | GEAR CLAMP 32" |
| 39 | 01010002 | BREATHER -SWING AWAY |
| 40 | P0951013 | BATTERY 420CCA |

HYDRAULIC WET KIT (GAS DRIVE KIT) 25001041

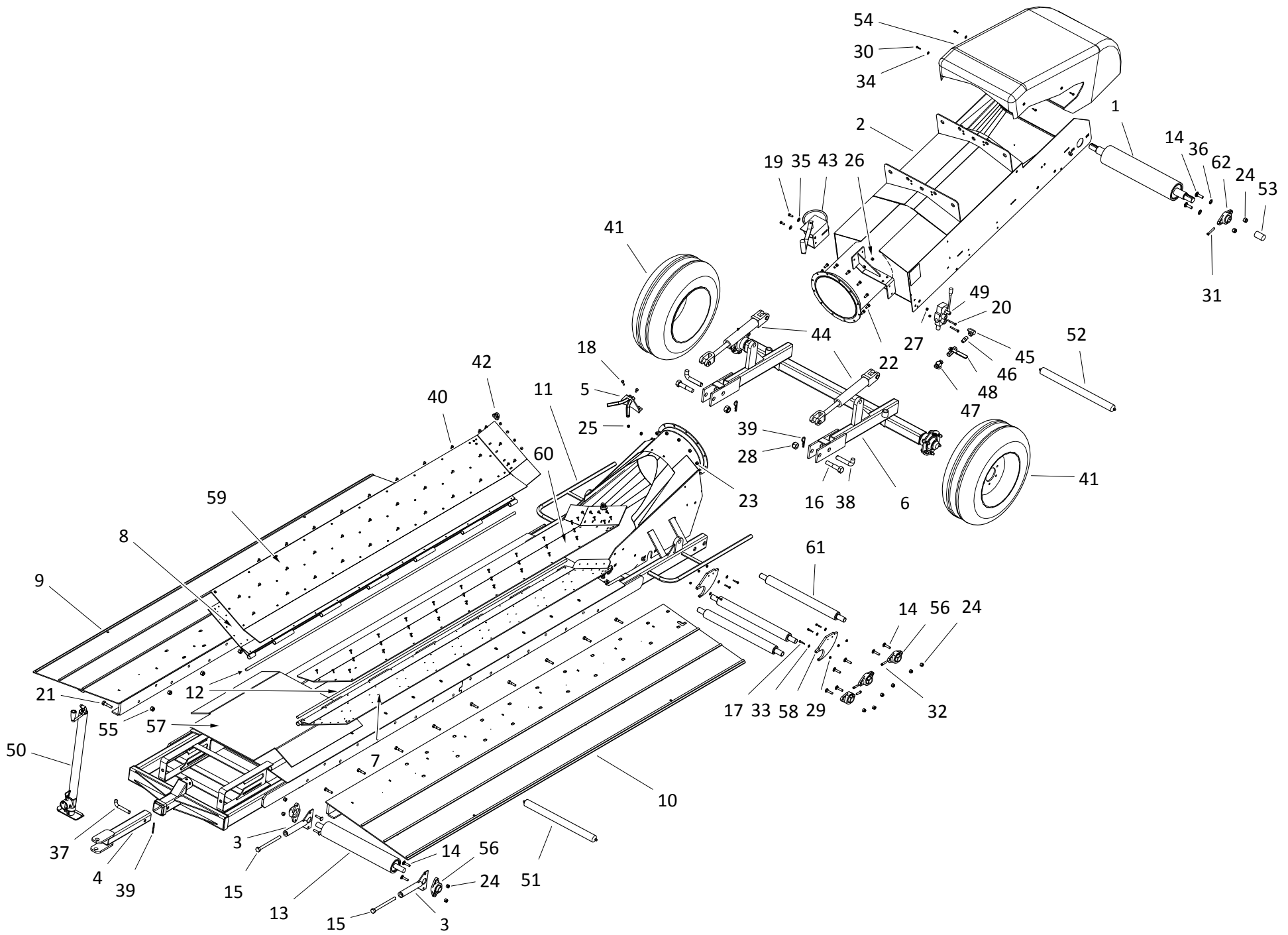


HYDRAULIC WET KIT (GAS DRIVE KIT) 25001041

| ITEM | PART NO. | DESCRIPTION |
|------|--------------|----------------------------------|
| 1 | 13060104 | PUMP MOUNT -PINCH DRIVE |
| 2 | 13100035 | PIVOT HANDLE |
| 3 | 18062172 | GUARD HOLDER TOP |
| 4 | 24063119 | PUMP MOUNT 18&24 PIT PROD |
| 5 | 24063124 | TIGHTENER ROD PIT |
| 6 | P0113020 | CARRIAGE BOLT 5/16"X1-1/2"PLATED |
| 7 | P0118050 | BOLT 3/8" X 2" GR8 PLATED |
| 8 | P0118131 | BOLT 1/4" X 1" GR8 PLATED |
| 9 | P0131017 | NUT 5/16" PLATED GRADE 8 |
| 10 | P0131018 | NUT 3/8" PLATED GRADE 8 |
| 11 | P0151032 | WASHER FLAT 3/8"SAE PLATED |
| 12 | P0163010 | QUICK PIN 1/4X2-1/2 |
| 13 | P0321048 | BELT B48 |
| 14 | P0328905 | PULLEY-4-1/2"X1-1/8" |
| 15 | P0328906 | PULLEY-4-1/2"X1/2" |
| 16 | P0820702 | HOSE BARB-10MORBX3/4"HOSE |
| 17 | P0821130 | SWIVEL-8 ORBX1/2"FPS |
| 18 | P0821130 | SWIVEL-8 ORBX1/2"FPS |
| 19 | P0841033 | PUMP-SMALL |
| 20 | P0131016 | NUT 1/4" PLATED GRADE 8 |
| 21 | P029900052-3 | TANK, 22L, BLK W/FTG, CAP HOSE |
| 22 | P029900216 | GEAR CLAMP 32" |
| 23 | 01010011 | HOSE 1/2(4'9")-1/2"MPT-1/2"MPT |
| 24 | 01010012 | HOSE 1/2(10'10")-1/2"MPT-1/2"MPT |

FX 2400 SERIES (25001090)

18

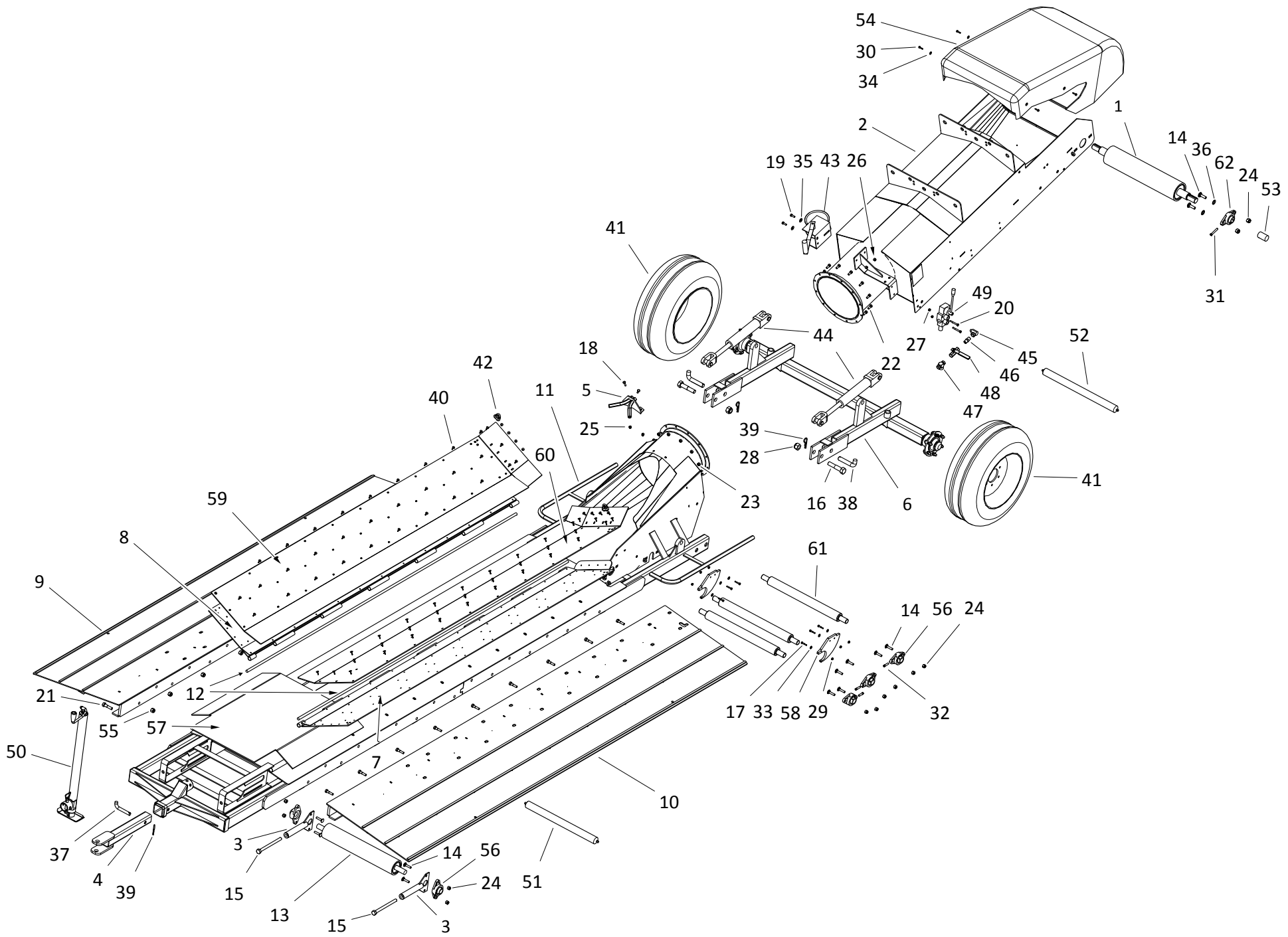


FX 2400 SERIES (25001090)

| ITEM | PART NO. | DESCRIPTION |
|------|----------|-------------------------------------|
| 1 | 25070007 | PITSTOP SPOUT ROLLER - 24" BELT |
| 2 | 24020016 | PITSTOP SPOUT - 24" BELT |
| 3 | 25010001 | PITSTOP TIGHTENER |
| 4 | 25010005 | PITSTOP TONGUE |
| 5 | 25010015 | CABLE GUIDE - PIT |
| 6 | 25030036 | AXLE WELDMENT - 24" BELT |
| 7 | 25030083 | 18/24 FLAP WELDMENT RH- BCX |
| 8 | 25030084 | 18/24 FLAP WELDMENT LF- BCX |
| 9 | 25030111 | PITSTOP RAMP WELDMENT LEFT |
| 10 | 25030112 | PITSTOP RAMP WELDMENT RIGHT |
| 11 | 25030130 | 24 BCX PITSTOP CENTER WELDMENT |
| 12 | 25033076 | Hinge Pin For Pitstop Flap |
| 13 | 25070006 | PITSTOP TAKE-UP ROLLER - 24" BELT |
| 14 | P0113001 | CARRIAGE BOLT 1/2"X2" PLATED |
| 15 | P0114010 | TAP BOLT 3/4 X 9 UNC GR.5 PLATED |
| 16 | P0118007 | BOLT 1" X 4-1/2" GR8 PLATED |
| 17 | P0118026 | BOLT 1/4" X 1-1/2" GR8 PLATED |
| 18 | P0118046 | BOLT 3/8" X 1" GR8 PLATED |
| 19 | P0118046 | BOLT 3/8" X 1" GR8 PLATED |
| 20 | P0118063 | BOLT 5/16" X 2-1/2" GR8 PLATED |
| 21 | P0118070 | BOLT 5/8" X 2-1/2" GR8 PLATED |
| 22 | P0118076 | BOLT 7/16"X1" GRADE 8 PLATED |
| 23 | P0134007 | LOCKNUT-NYLON-7/16" |
| 24 | P0134008 | LOCKNUT-NYLON-1/2" |
| 25 | P0134026 | LOCKNUT-NYLON-3/8" GRADE 8 |
| 26 | P0134026 | LOCKNUT-NYLON-3/8" GRADE 8 |
| 27 | P0134027 | LOCKNUT-NYLON-5/16" GRADE 8 |
| 28 | P0134030 | LOCKNUT-NYLON-1" GRADE 8 |
| 29 | P0134104 | LOCKNUT-TENSILOCK-1/4" GR 5 |
| 30 | P0141002 | TEK SCREW 1/4"X1" |
| 31 | P0145002 | SET SCREW-7/16"X2-1/2"SQ.HD. |
| 32 | P0145004 | SET SCREW-7/16"X1-1/2"SQ.HD.PLATED |
| 33 | P0151006 | FLAT WASHER 1/4"PLATED USS |
| 34 | P0151006 | FLAT WASHER 1/4"PLATED USS |
| 35 | P0151009 | FLAT WASHER 3/8"PLATED USS |
| 36 | P0151038 | FLAT WASHER 0.656 SQUARE-1.25-0.060 |
| 37 | P0162002 | Pin Hitch 3/4 x 3 1/2 |
| 38 | P0162003 | HITCH PIN 1" X 3-1/2" PLATED |
| 39 | P0163001 | HAIR PIN 3/16" X 3-1/4" |
| 40 | P0186019 | RIVET-STEEL BODY 1/4" X 3/4" |
| 41 | P0615308 | TIRE ASM -6BLT ST205/75R15 LRC 6PL |
| 42 | P0712105 | CABLE CLAMP-5/16" GALV. |
| 43 | P0714105 | WINCH T1602-1366(19141) |
| 44 | P0812008 | HYD CYL 2x8 |
| 45 | P0820009 | SWIVEL-6MORBX1/2"FPT/90D |
| 46 | P0821133 | HEX NIPPLE-1/2" |

FX 2400 SERIES (25001090)

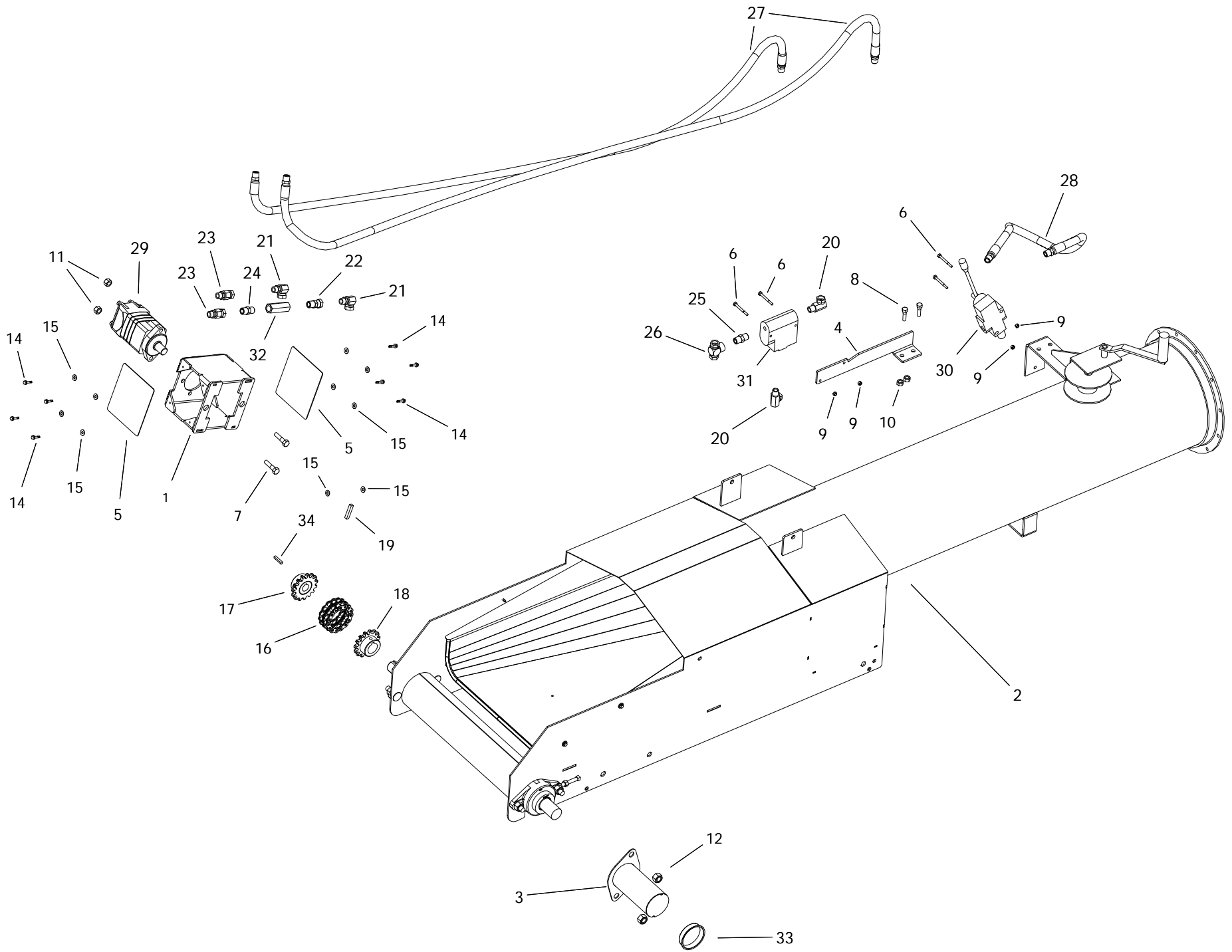
20



FX 2400 SERIES (25001090)

| ITEM | PART NO. | DESCRIPTION |
|------|------------|-------------------------------------|
| 47 | P0821201 | TEE-SWIVEL-1/2" FEM. |
| 48 | P0861001 | BALL VALVE-1/2" |
| 49 | P0861014 | VALVE-CONTROL |
| 50 | P1012009 | JACK-7000LB SQ.TUBE 25" EXT |
| 51 | P1021014 | TRENCH HEX ROLLER 24S |
| 52 | P1021011 | ROLLER HEX 25" |
| 53 | P1210013 | VINYL CAP (1-1/2"X2-1/2") |
| 54 | P1212401 | HOOD-SQUARE 24 SERIES |
| 55 | P01340101 | LOCKNUT-NYLON-5/8" GRADE 8 |
| 56 | P1711005 | FLANGE UNIT-1-1/4"-PREMIUM |
| 57 | 25053040 | FOOT GUARD FLASHING - 24" BELT |
| 58 | P19159029 | 24S BCX PITSTOP SIDE FLASHING |
| 59 | P19259005 | FX2 PITSTOP SIDE FLASHING LEFT |
| 60 | P19259006 | FX2 PITSTOP SIDE FLASHING RIGHT |
| 61 | P20325002 | PITSTOP TRANSITION ROLLER -24" BELT |
| 62 | P1711006 | FLANGE UNIT-1-15/16"-PREMIUM |
| 63 | P302000051 | HOLDER MANUAL W/CAP |
| 64 | 24570013 | 24S BELT LACING PIN KIT |
| 65 | P0832016 | HOSE 3/8(2')-1/2"MPT-1/2"MPT PC |
| 66 | P0832023 | HOSE 3/8(10")-1/2MPT-1/2MPT PC |
| 67 | P0832034 | HOSE 3/8(3'7")-1/2MPT-1/2MPT PC |

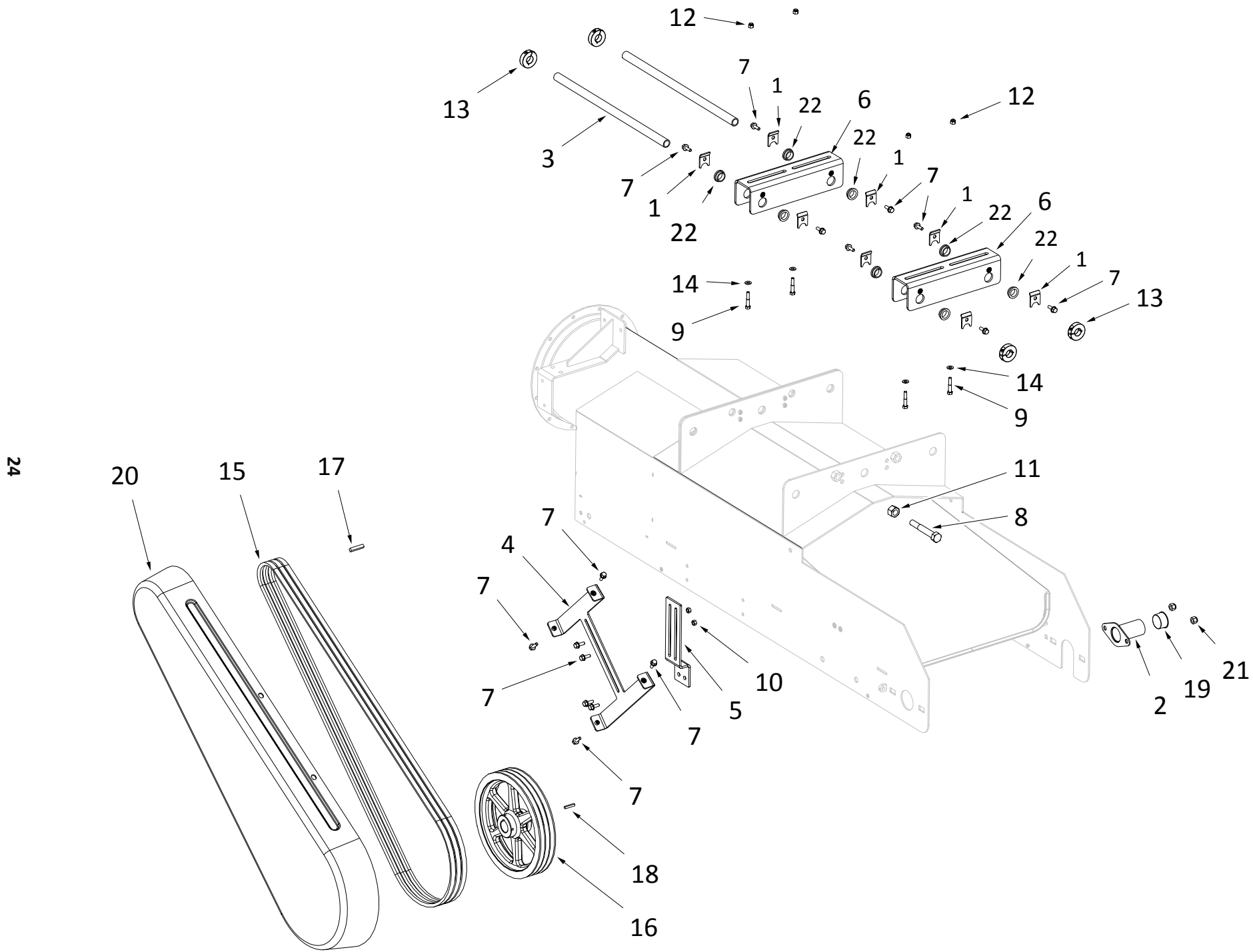
HYDRAULIC DRIVE KIT (250010031)



HYDRAULIC DRIVE KIT (250010031)

| ITEM | PART NO. | DESCRIPTION |
|------|-----------|------------------------------------|
| 1 | 20060003 | 1-15/16" HYD MOUNT 2000 SER |
| 2 | 24020011 | PITSTOP SPOUT - 24" BELT NEW |
| 3 | 24041038 | SHAFT GUARD(FL-210) |
| 4 | 25010002 | FLOW CONTROL BRACKET |
| 5 | 25041007 | 24" PIT HYD DRIVE GUARD |
| 6 | P0115122 | BOLT 1/4" X 3" GR8 PLATED |
| 7 | P0118016 | BOLT 1/2" X 2" GR8 PLATED |
| 8 | P0118076 | BOLT 7/16"X1" GRADE 8 PLATED |
| 9 | P0134023 | LOCKNUT-NYLON-1/4" GR8 |
| 10 | P0134007 | LOCKNUT-NYLON-7/16" |
| 11 | P0134008 | LOCKNUT-NYLON-1/2" |
| 12 | P01340101 | LOCKNUT-NYLON-5/8" GRADE 8 |
| 14 | P0141002 | TEK SCREW 1/4"X1" |
| 15 | P0151006 | FLAT WASHER 1/4"PLATED USS |
| 16 | P0311007 | R/CHAIN-DRIVE(60-2RX14+CL+OL) |
| 17 | P0336154 | SPROCKET-6015-1"BORE |
| 18 | P0336155 | SPROCKET-6015-1-1/2"BORE |
| 19 | P0391002 | KEY 3/8" X 2" LONG |
| 20 | P0820001 | SWIVEL-1/2"90 DEGREE |
| 21 | P0820010 | SWIVEL-8MORBX1/2"FPT/90D |
| 22 | P0821112 | SWIVEL-1/2" STRAIGHT |
| 23 | P0821114 | SWIVEL-10ORBX1/2"FS |
| 24 | P0821133 | HEX NIPPLE-1/2" |
| 25 | P0821133 | HEX NIPPLE-1/2" |
| 26 | P0821201 | TEE-SWIVEL-1/2" FEM. |
| 27 | P0832012 | HOSE 1/2(9'6")-1/2"MPT-1/2"MPT PC |
| 28 | P0832014 | HOSE 1/2(1'10")-1/2"MPT-1/2"MPT PC |
| 29 | P0841040 | HYD MOTOR 8.0 2000S |
| 30 | P0861014 | VALVE-CONTROL |
| 31 | P0861016 | VALVE-FLOW CONTROL 1/2 |
| 32 | P0861035 | CHECK VALVE-1/2" (NO HOLE) |
| 33 | P1210033 | 501 SHAFT GUARD PLUG |
| 34 | 13202119 | KEY 1/4" X 1-1/2" |
| 35 | P1243001 | CABLE TIE 14" 120 LB |

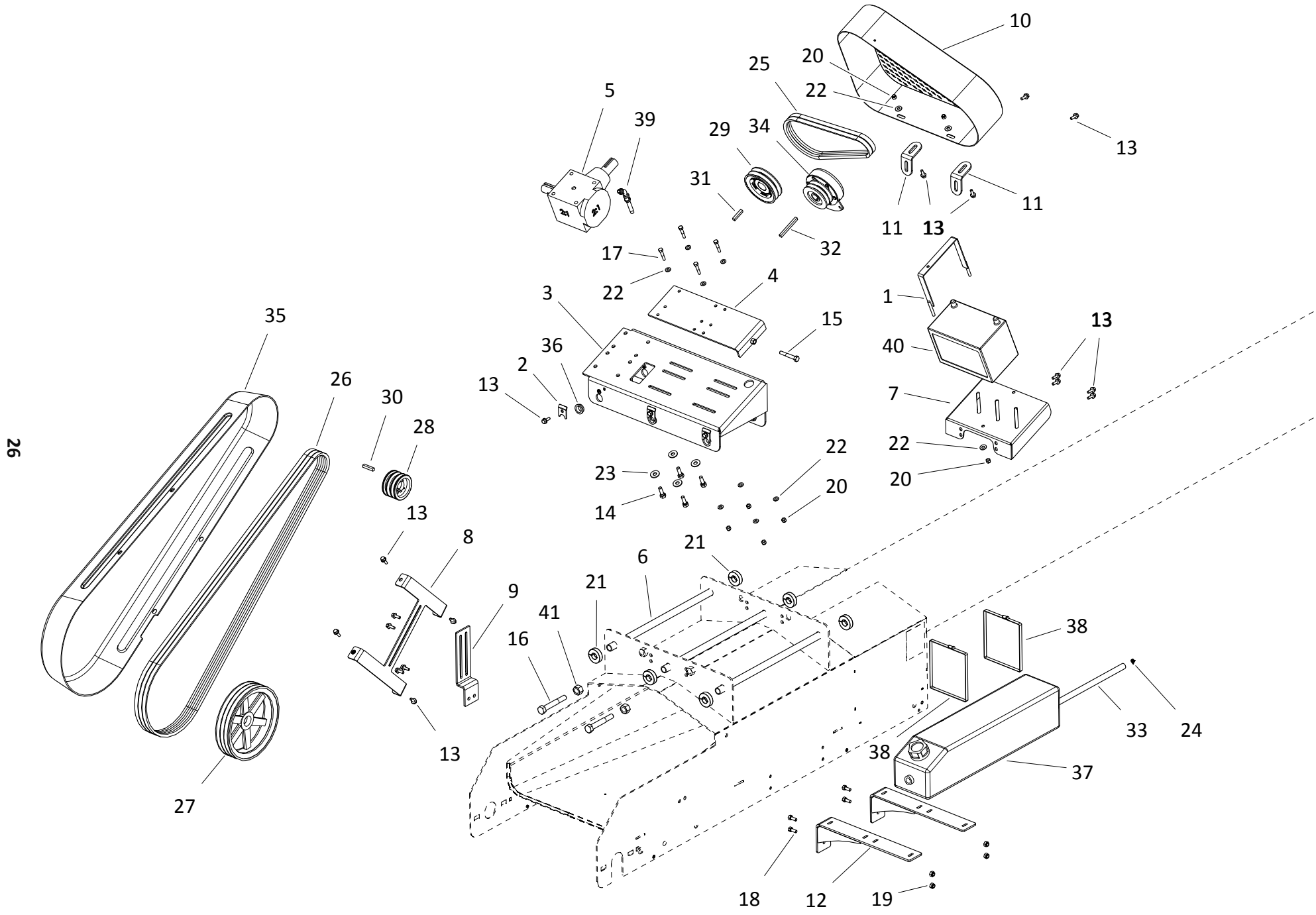
ELECTRIC DRIVE KIT (250010311)



ELECTRIC DRIVE KIT (250010311)

| ITEM | PART NO. | DESCRIPTION |
|------|-----------|----------------------------------|
| 1 | 15060088 | BUSHING RETAINER (PNT) |
| 2 | 24041038 | SHAFT GUARD(FL-210) |
| 3 | 24063118 | SLIDER ROD 18&24 PIT PROD (23.5) |
| 4 | 24063122 | H GUARD MOUNT PIT 2019 |
| 5 | 24063123 | Z MOUNT PIT 2019 |
| 6 | 24063130 | ADJUSTABLE MOUNT 24S PIT |
| 7 | P0115205 | FLANGE BOLT 3/8 X 1" PLATED |
| 8 | P0114006 | TAP BOLT 3/4 X 5 PLATED |
| 9 | P0118050 | BOLT 3/8" X 2" GR8 PLATED |
| 10 | P0131018 | NUT 3/8" PLATED GRADE 8 |
| 11 | P0131019 | NUT 3/4" PLATED GRADE 8 |
| 12 | P0134026 | LOCKNUT-NYLON-3/8" GRADE 8 |
| 13 | P0147001 | CSC SHAFT COLLER 1" |
| 14 | P0151009 | FLAT WASHER 3/8"PLATED USS |
| 15 | P0321114 | BELT B114 |
| 16 | P0328105 | PULLEY-TRPL. 3TB136-1-1/2 SP |
| 17 | P0391002 | KEY 3/8" X 2" LONG |
| 18 | P0391003 | KEY 1/4" X 1-1/2" LONG |
| 19 | P1210033 | 501 SHAFT GUARD PLUG |
| 20 | P1211805 | PIT GUARD (SLOTTED) |
| 21 | P01340101 | LOCKNUT-NYLON-5/8" GRADE 8 |
| 22 | P1743017 | IGUS BUSHING 1" ID X 1/2" WIDE |

GAS DRIVE KIT (25591076)



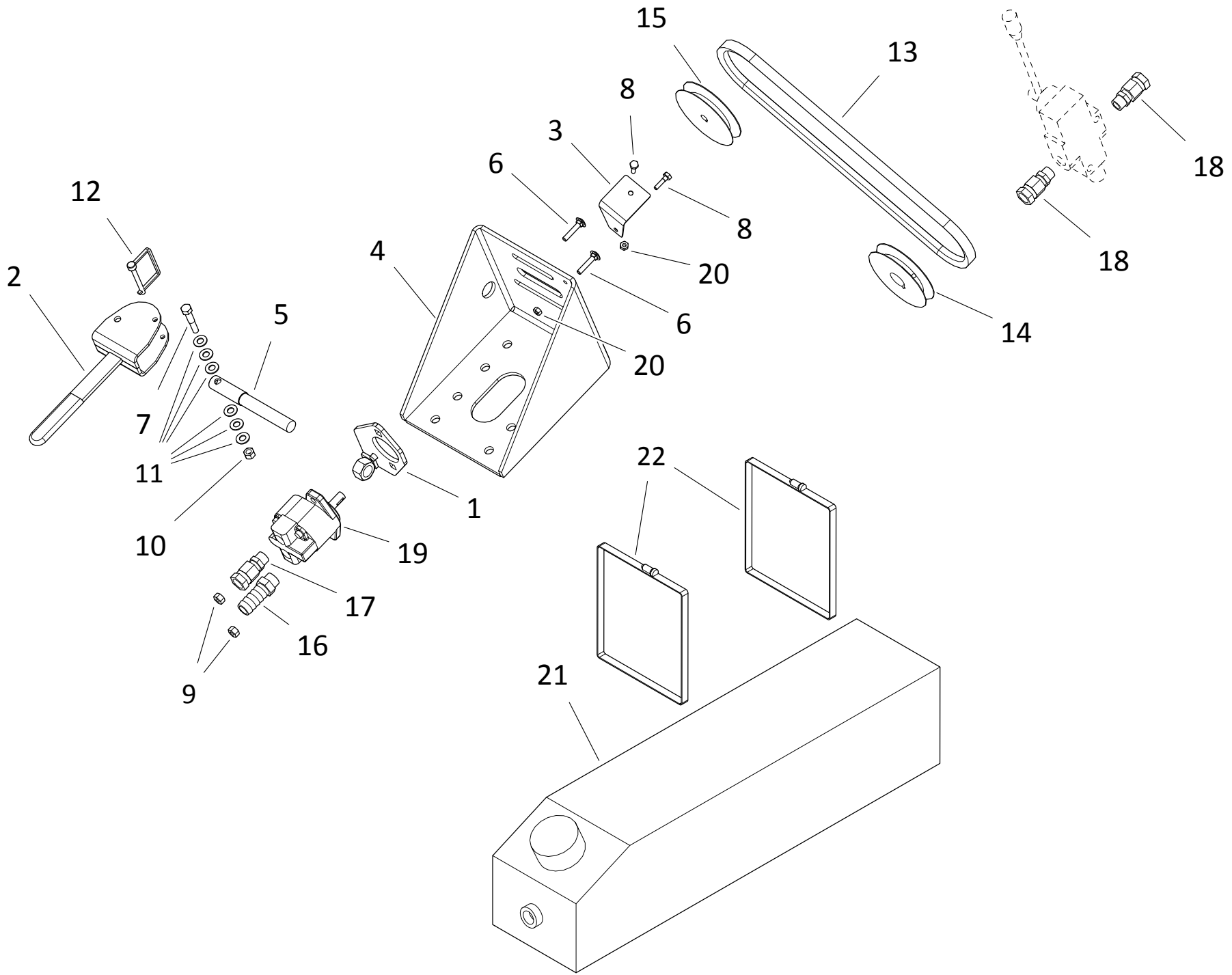
26

27

GAS DRIVE KIT (25591076)

| ITEM | PART NO. | DESCRIPTION |
|------|------------|-------------------------------------|
| 1 | 13060054 | BATTERY CLAMP |
| 2 | 15060088 | BUSHING RETAINER (PNT) |
| 3 | 24063120 | MOUNT GAS AND ELEC 24 PIT PROD |
| 4 | 24063129 | TIGHTENER PLATE 24S |
| 5 | 18591001 | GBOX 90 2:1 CW/CCW 1-1/2 4190 W/OIL |
| 6 | 24063118 | SLIDER ROD 18&24 PIT PROD (23.5) |
| 7 | 24063121 | BAT MOUNT 18&24 PIT PROD |
| 8 | 24063122 | H GUARD MOUNT PIT 2019 |
| 9 | 24063123 | Z MOUNT PIT 2019 |
| 10 | 24063127 | PIT GUARD MESHED |
| 11 | 24063128 | GUARD MOUNT PAINTED |
| 12 | 25010021 | PITSTOP HYD AND GAS TANK MOUNT |
| 13 | P0115205 | FLANGE BOLT 3/8 X 1" PLATED |
| 14 | P0118013 | BOLT 1/2"X1 1/2" GR.8 PLATED |
| 15 | P0118018 | BOLT 1/2" X 3" GR8 PLATED |
| 16 | P0118042 | BOLT 3/4" X 5" GR8 PLATED |
| 17 | P0118050 | BOLT 3/8" X 2" GR8 PLATED |
| 18 | P0118076 | BOLT 7/16"X1" GRADE 8 PLATED |
| 19 | P0134007 | LOCKNUT-NYLON-7/16" |
| 20 | P0134026 | LOCKNUT-NYLON-3/8" GRADE 8 |
| 21 | P0147001 | CSC SHAFT COLLER 1" |
| 22 | P0151009 | FLAT WASHER 3/8"PLATED USS |
| 23 | P0151029 | FLAT WASHER 1/2"PLATED USS |
| 24 | P0184033 | WIRE HOSE CLAMP .500" |
| 25 | P0321042 | BELT B42 |
| 26 | P0321108 | BELT B108 |
| 27 | P0328113 | PULLEY-TRPL-BK-12"H |
| 28 | P0328038 | PULLEY-TRPL-B-4" SH |
| 29 | P0328025 | PULLEY-DBL-6" W/1-1/2"BORE |
| 30 | P0391002 | KEY 3/8" X 2" LONG |
| 31 | P0391003 | KEY 1/4" X 1-1/2" LONG |
| 32 | P0391004 | KEY 1/4" X 3" LONG |
| 33 | P0831008 | FUEL LINE-1/4"ID |
| 34 | P0911003 | ELEC CLUTCH,1-1/8" ENG SHFT, 175 |
| 35 | P1211805 | PIT GUARD (SLOTTED) |
| 36 | P1743017 | IGUS BUSHING 1" ID X 1/2" WIDE |
| 37 | P021200051 | GAS TANK W/CAP W/FITTING-22L |
| 37 | 1200011 | CAP, FOR RESERVOIR & GAS TANK |
| 38 | P029900216 | GEAR CLAMP 32" |
| 39 | 01010002 | BREATHER -SWING AWAY |
| 40 | P0951013 | BATTERY 420CCA |
| 41 | P0131019 | NUT 3/4" PLATED GRADE 8 |

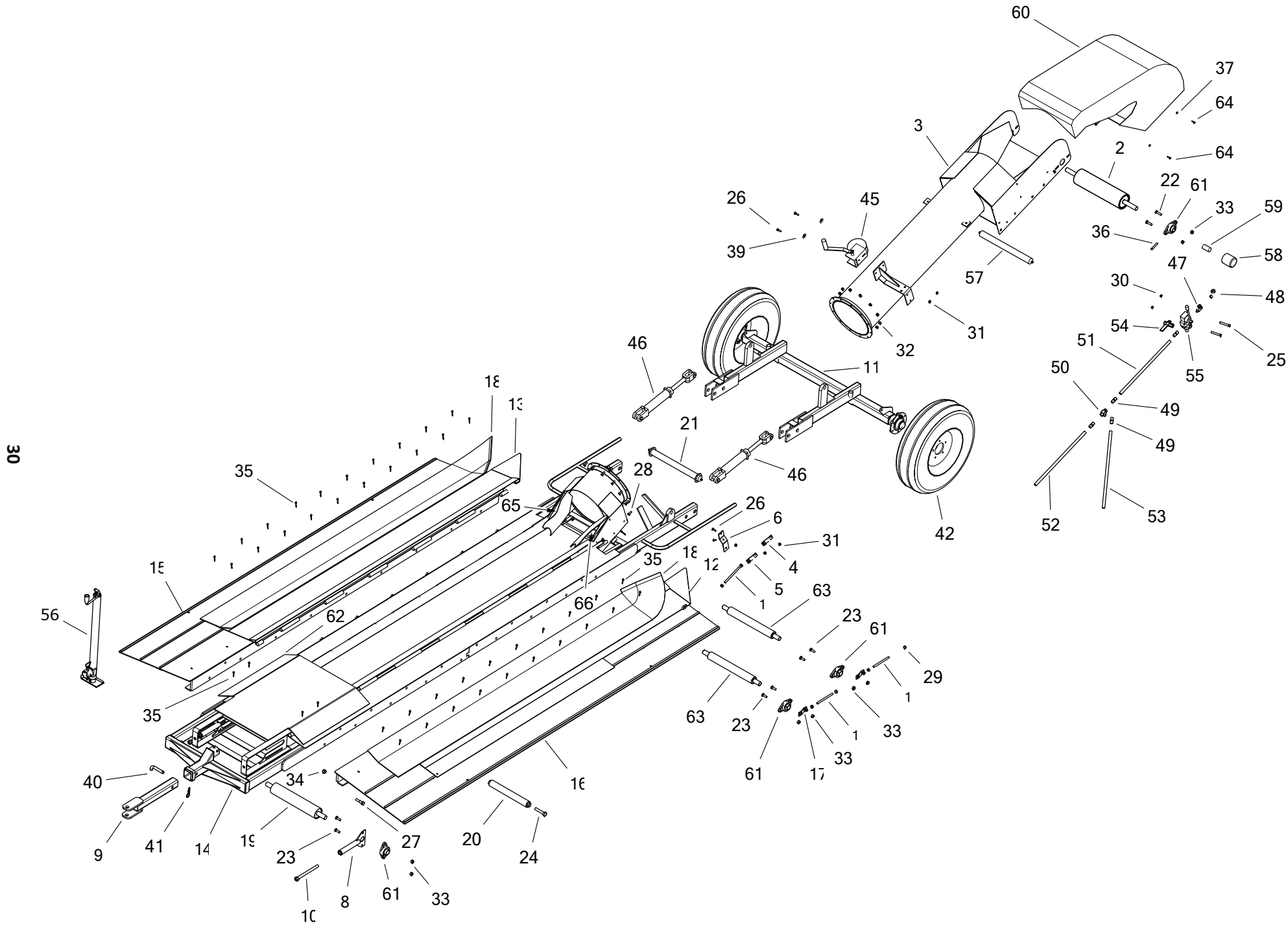
HYDRAULIC WET KIT (GAS DRIVE KIT) 25001041



HYDRAULIC WET KIT (GAS DRIVE KIT) 25001041

| ITEM | PART NO. | DESCRIPTION |
|------|--------------|----------------------------------|
| 1 | 13060104 | PUMP MOUNT -PINCH DRIVE |
| 2 | 13100035 | PIVOT HANDLE |
| 3 | 18062172 | GUARD HOLDER TOP |
| 4 | 24063119 | PUMP MOUNT 18&24 PIT PROD |
| 5 | 24063124 | TIGHTENER ROD PIT |
| 6 | P0113020 | CARRIAGE BOLT 5/16"X1-1/2"PLATED |
| 7 | P0118050 | BOLT 3/8" X 2" GR8 PLATED |
| 8 | P0118131 | BOLT 1/4" X 1" GR8 PLATED |
| 9 | P0131017 | NUT 5/16" PLATED GRADE 8 |
| 10 | P0131018 | NUT 3/8" PLATED GRADE 8 |
| 11 | P0151032 | WASHER FLAT 3/8"SAE PLATED |
| 12 | P0163010 | QUICK PIN 1/4X2-1/2 |
| 13 | P0321048 | BELT B48 |
| 14 | P0328905 | PULLEY-4-1/2"X1-1/8" |
| 15 | P0328906 | PULLEY-4-1/2"X1/2" |
| 16 | P0820702 | HOSE BARB-10MORBX3/4"HOSE |
| 17 | P0821130 | SWIVEL-8 ORBX1/2"FPS |
| 18 | P0821130 | SWIVEL-8 ORBX1/2"FPS |
| 19 | P0841033 | PUMP-SMALL |
| 20 | P0131016 | NUT 1/4" PLATED GRADE 8 |
| 21 | P029900052-3 | TANK, 22L, BLK W/FTG, CAP HOSE |
| 22 | P029900216 | GEAR CLAMP 32" |
| 23 | 01010011 | HOSE 1/2(4'9")-1/2"MPT-1/2"MPT |
| 24 | 01010012 | HOSE 1/2(10'10")-1/2"MPT-1/2"MPT |

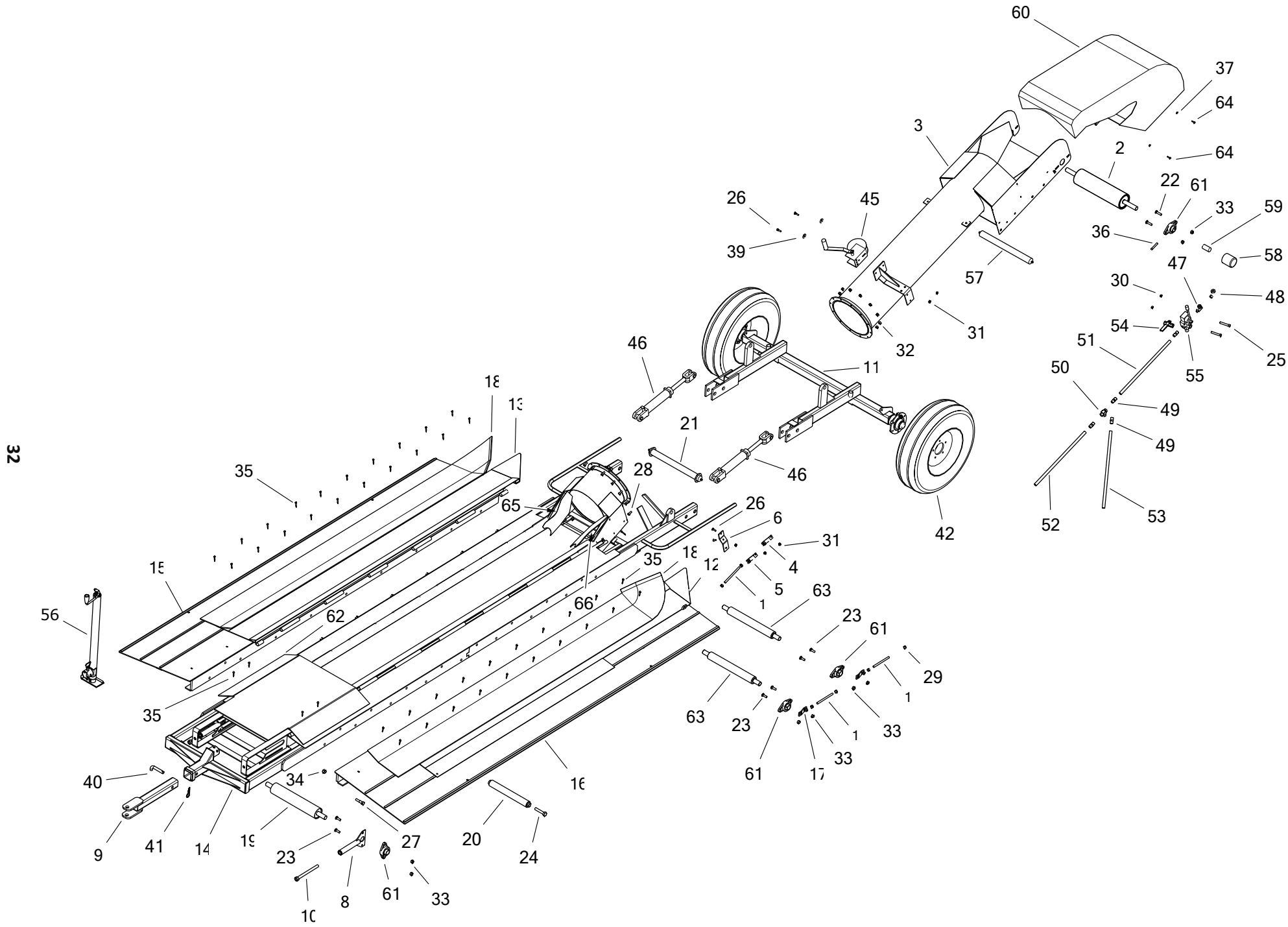
1800 SERIES (25001068)



1800 SERIES (25001068)

| ITEM | PART NO. | DESCRIPTION |
|------|-----------|------------------------------------|
| 1 | 13102055 | TAB ADJUSTER ROD-1/2" X 7" |
| 2 | 18070007 | TRANSFER SPOUT ROLLER |
| 3 | 18100009 | Pitstop/Transfer Spout |
| 4 | 18100012 | ADJUSTMENT LINK LEFT |
| 6 | 18102021 | BENT ADJUSTMENT ARM LEFT |
| 7 | 25000700 | 18" PITSTOP 46' 8" |
| 8 | 25010001 | PITSTOP TIGHTENER |
| 9 | 25010005 | PITSTOP TONGUE |
| 10 | P0114010 | TAP BOLT 3/4 X 9 UNC GR.5 PLATED |
| 11 | 25030003 | AXLE WELDMENT |
| 12 | 25030007 | FLAP WELDMENT RIGHT |
| 13 | 25030008 | FLAP WELDMENT LEFT |
| 14 | 25030110 | 18 PITSTOP CENTER WELDMENT |
| 15 | 25030111 | PITSTOP RAMP WELDMENT LEFT |
| 16 | 25030112 | PITSTOP RAMP WELDMENT RIGHT |
| 17 | 25050002 | BEARING TIGHTENER MOUNT RIGHT |
| 18 | P11259006 | PIT DECK FLASHING |
| 19 | 25070002 | PITSTOP TAKE-UP ROLLER |
| 20 | 25070003 | RETURN ROLLER |
| 21 | 25070004 | PITSTOP GUIDING RETURN ROLLER |
| 22 | P0113001 | CARRIAGE BOLT 1/2"X2" PLATED |
| 23 | P0113004 | CARRIAGE BOLT 1/2"X1-1/2"PLATED |
| 24 | P0114001 | TAP BOLT 3/4 X 3-1/2 PLATED |
| 25 | P0114010 | TAP BOLT 3/4 X 9 UNC GR.5 PLATED |
| 26 | P0118046 | BOLT 3/8" X 1" GR8 PLATED |
| 27 | P0118070 | BOLT 5/8" X 2-1/2" GR8 PLATED |
| 28 | P0118076 | BOLT 7/16"X1" GRADE 8 PLATED |
| 29 | P0131015 | NUT 1/2" PLATED GRADE 8 |
| 30 | P0134027 | LOCKNUT-NYLON-5/16" GRADE 8 |
| 31 | P0134026 | LOCKNUT-NYLON-3/8" GRADE 8 |
| 32 | P0134007 | LOCKNUT-NYLON-7/16" |
| 33 | P0134008 | LOCKNUT-NYLON-1/2" |
| 34 | P01340101 | LOCKNUT-NYLON-5/8" GRADE 8 |
| 35 | P0141003 | TEK SCREW 1/4"X1-1/2" HEX WASHER |
| 36 | P0145002 | SET SCREW-7/16"X2-1/2"SQ.HD. |
| 37 | P0151006 | FLAT WASHER 1/4"PLATED USS |
| 38 | P0151015 | FLAT WASHER 3/4"PLATED USS |
| 39 | P0151027 | FLAT WASHER 1"SAE |
| 40 | P0162002 | Pin Hitch 3/4 x 3 1/2 |
| 41 | P0163001 | HAIR PIN 3/16" X 3-1/4" |
| 42 | P0615308 | TIRE ASM -6BLT ST205/75R15 LRC 6PL |
| 43 | P0711103 | Cable 5/16" |
| 44 | P0712105 | CABLE CLAMP-5/16" GALV. |
| 45 | P0714105 | WINCH T1602-1366(19141) |
| 46 | P0812008 | HYD CYL 2x8 |
| 47 | P0820009 | SWIVEL-6MORBX1/2"FPT/90D |

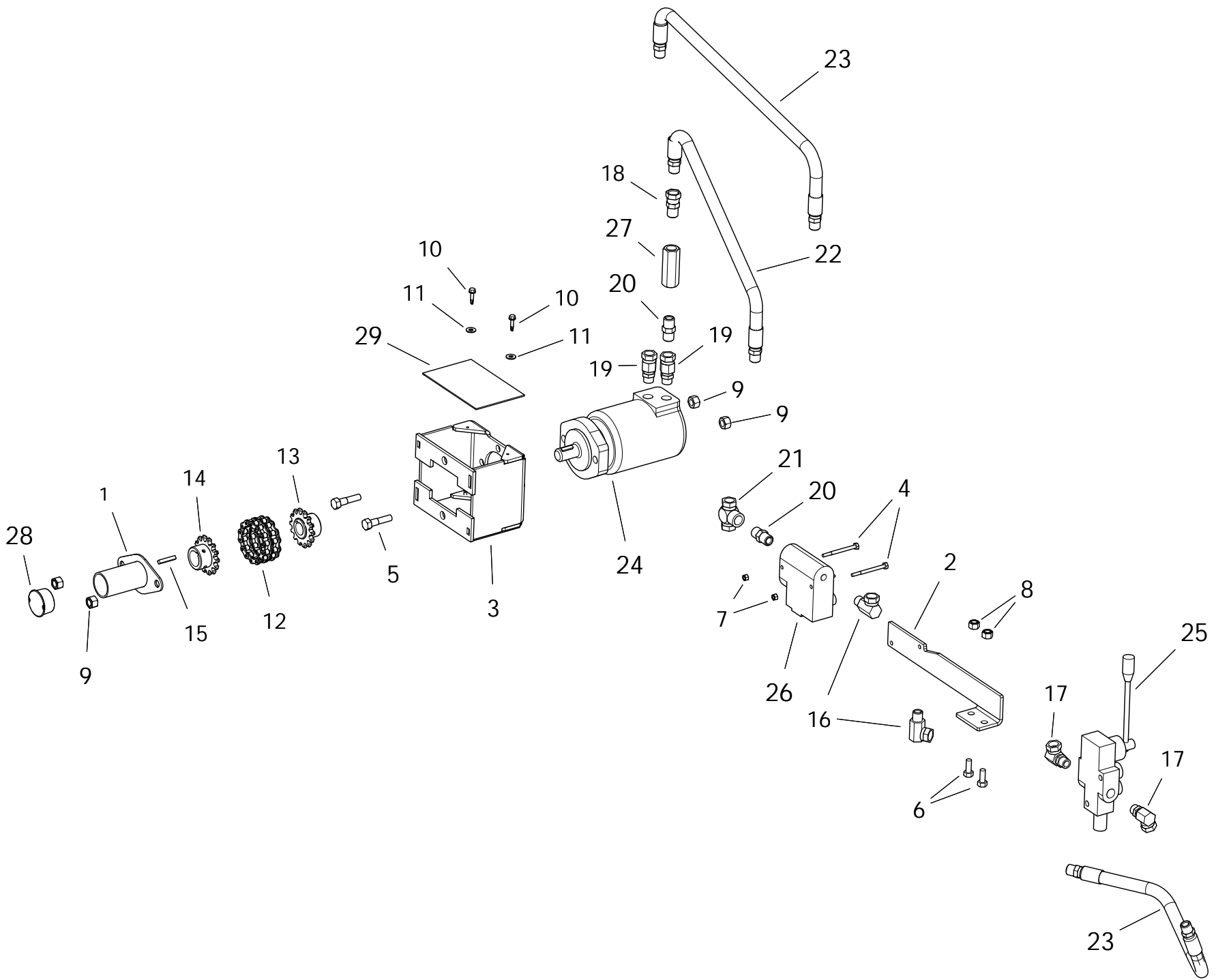
1800 SERIES (25001068)



1800 SERIES (25001068)

| ITEM | PART NO. | DESCRIPTION |
|------|-----------|---------------------------------|
| 48 | P0820614 | ELBOW/STR-3/8"PT/90D |
| 49 | P0821133 | HEX NIPPLE-1/2" |
| 50 | P0821201 | TEE-SWIVEL-1/2" FEM. |
| 51 | P0832023 | HOSE 3/8(10")-1/2MPT-1/2MPT PC |
| 52 | P0832034 | HOSE 3/8(3'7")-1/2MPT-1/2MPT PC |
| 53 | P0832035 | HOSE 3/8(5")-1/2MPT-1/2MPT PC |
| 54 | P0861001 | BALL VALVE-1/2" |
| 55 | P0861014 | VALVE-CONTROL |
| 56 | P1012009 | JACK-7000LB SQ.TUBE 25" EXT |
| 57 | P1021003 | ROLLER HEX 21" |
| 58 | P1210005 | Plastic-Guard-Keyed Shaft |
| 59 | P1210012 | VINYL CAP 1 1/4 X 2 1/2 |
| 60 | P1211802 | HOOD-LARGE SQUARE |
| 61 | P1711002 | FLANGE UNIT-1-1/4"-SAFL206-20 |
| 62 | P11259005 | FOOT GUARD FLASHING (rev1) |
| 63 | P20325001 | PITSTOP TRANSITION ROLLER |
| 64 | P0141002 | TEK SCREW 1/4"X1" |
| 65 | P19259000 | PIT TRANSITION FLASHING LH |
| 66 | P19259001 | PIT TRANSITION FLASHING RH |

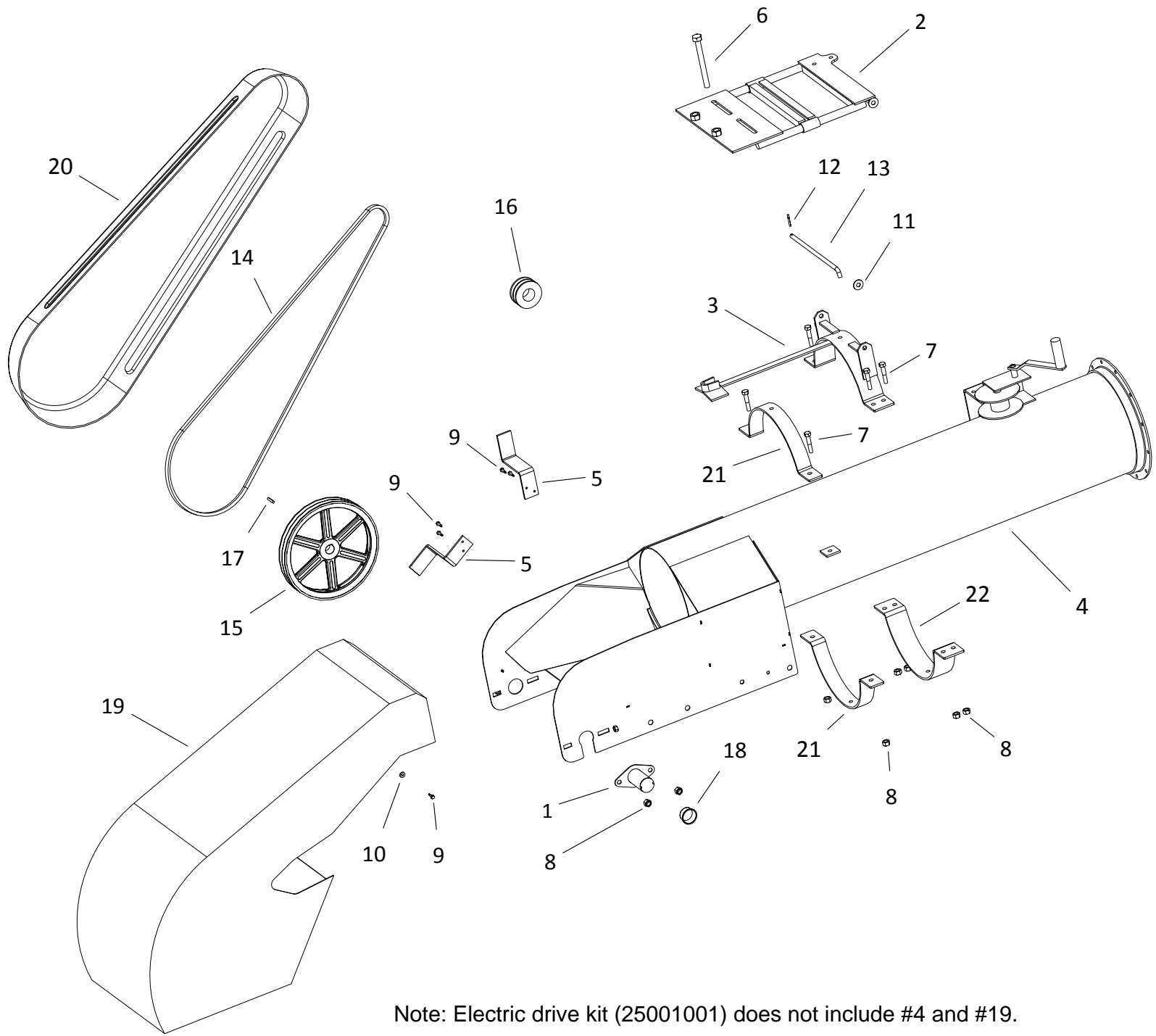
HYDRAULIC DRIVE KIT (25001003)



HYDRAULIC DRIVE KIT (25001003)

| ITEM | PART NO. | DESCRIPTION |
|------|----------|-------------------------------------|
| 1 | 13041038 | SHAFT GUARD(FL-206) |
| 2 | 25010002 | FLOW CONTROL BRACKET |
| 3 | 25060003 | 2000 SERIES PITSTOP MOUNT |
| 4 | P0115122 | BOLT 1/4" X 3" GR8 PLATED |
| 5 | P0118016 | BOLT 1/2" X 2" GR8 PLATED |
| 6 | P0118076 | BOLT 7/16"X1" GRADE 8 PLATED |
| 7 | P0134023 | LOCKNUT-NYLON-1/4" GR8 |
| 8 | P0134007 | LOCKNUT-NYLON-7/16" |
| 9 | P0134008 | LOCKNUT-NYLON-1/2" |
| 10 | P0141002 | TEK SCREW 1/4"X1" |
| 11 | P0151006 | FLAT WASHER 1/4"PLATED USS |
| 12 | P0311001 | ROLLER CHAIN FOR DRIVE(50-2RX14+CL) |
| 13 | P0335140 | SPROCKET 5014 1.0(KEY0.25) |
| 14 | P0335141 | SPROCKET 5014 1.25(KEY0.25) |
| 15 | P0391003 | KEY 1/4" X 1-1/2" LONG |
| 16 | P0820001 | SWIVEL-1/2"90 DEGREE |
| 17 | P0820010 | SWIVEL-8MORBX1/2"FPT/90D |
| 18 | P0821112 | SWIVEL-1/2" STRAIGHT |
| 19 | P0821114 | SWIVEL-10ORBX1/2"FS |
| 20 | P0821133 | HEX NIPPLE-1/2" |
| 21 | P0821201 | TEE-SWIVEL-1/2" FEM. |
| 22 | P0832013 | HOSE 1/2(6'7")-1/2"MPT-1/2"MPT PC |
| 23 | P0832014 | HOSE 1/2(1'10")-1/2"MPT-1/2"MPT PC |
| 24 | P0841019 | HYD MOTOR-6.2-2000-1" |
| 25 | P0861014 | VALVE-CONTROL |
| 26 | P0861016 | VALVE-FLOW CONTROL 1/2 |
| 27 | P0861035 | CHECK VALVE-1/2" (NO HOLE) |
| 28 | P1210032 | FL-206 SHAFT GUARD PLUG |
| 29 | P1210100 | 1 1/4 HYDMTR GUARD 4.5 X 6.5 |

18" PITSTOP ELECTRIC DRIVE KIT (25001001)

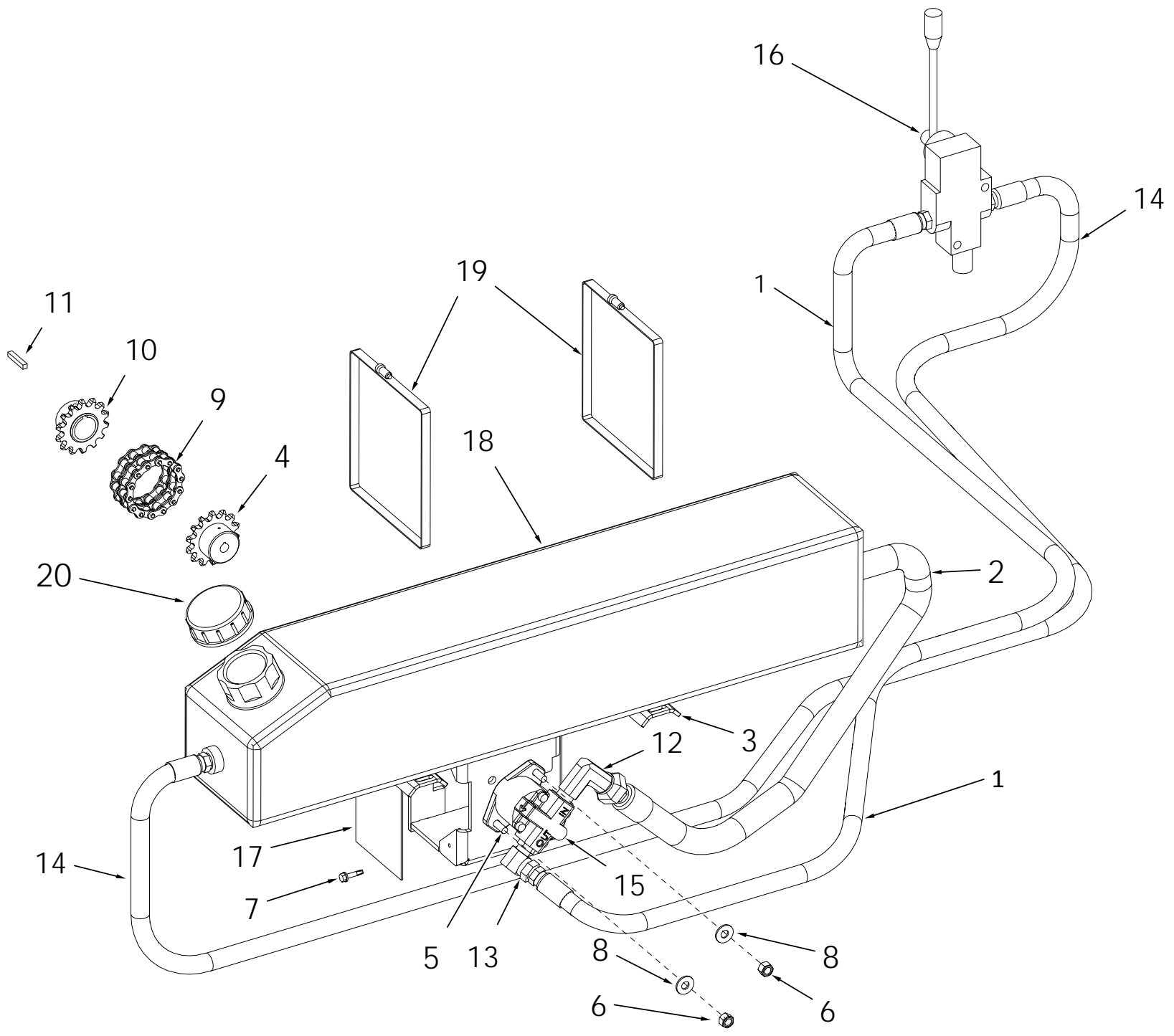


Note: Electric drive kit (25001001) does not include #4 and #19.

18" PITSTOP ELECTRIC DRIVE KIT (25001001)

| ITEM | PART NO. | DESCRIPTION |
|------|-----------|--------------------------------|
| 1 | 13041038 | SHAFT GUARD(FL-206) |
| 2 | 13060027 | 13 SERIES HD MOTOR MOUNT PLATE |
| 3 | 18060004 | ELECTRIC MOTOR CLAMP |
| 4 | 18100009 | Pitstop/Transfer Spout |
| 5 | 25013011 | PIT GUARD MOUNT |
| 6 | P0114007 | TAP BOLT 3/4 X 7 PLATED |
| 7 | P0118017 | BOLT 1/2"X2-1/2"GRADE 8 PLATED |
| 8 | P0134008 | LOCKNUT-NYLON-1/2" |
| 9 | P0141002 | TEK SCREW 1/4"X1" |
| 10 | P0151006 | FLAT WASHER 1/4"PLATED USS |
| 11 | P0151029 | FLAT WASHER 1/2"PLATED USS |
| 12 | P0161003 | COTTER PIN 3/16"X1-1/2"PLATED |
| 13 | P0162006 | PIN-ELECT.MTR.MNT-LONG |
| 14 | P0321108 | BELT B108 |
| 15 | P0328009 | PULLEY-DBL-B-14" W/1-1/4"BORE |
| 16 | P0328016 | PULLEY-DOUBLE-3.4" |
| 17 | P0391003 | KEY 1/4" X 1-1/2" LONG |
| 18 | P1210032 | FL-206 SHAFT GUARD PLUG |
| 19 | P1211802 | HOOD-LARGE SQUARE |
| 20 | P1211803 | PIT GUARD |
| 21 | P2518202P | 2" U-CLAMP PAINTED |
| 22 | P2518203P | 3" U-CLAMP PAINTED |

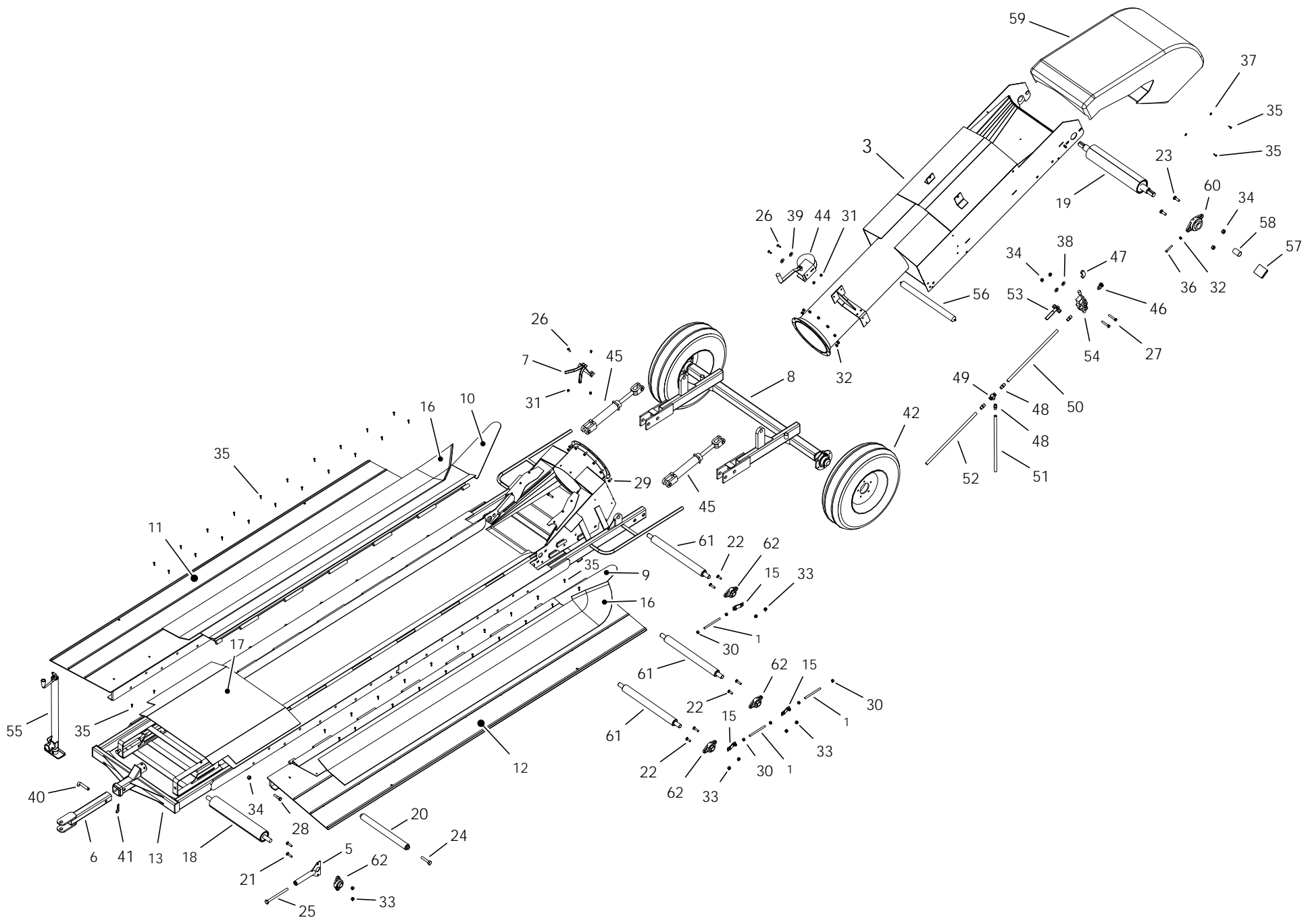
HYDRAULIC WET KIT (ELECTRIC DRIVE KIT) 25001004



HYDRAULIC WET KIT (ELECTRIC DRIVE KIT) 25001004

| ITEM | PART NO. | DESCRIPTION |
|------|--------------|-------------------------------------|
| 1 | 01010008 | HOSE 1/2(7'6")-1/2"MPT-1/2"MPT |
| 2 | 01010009 | HOSE 3/4(3')-1/2"MPT-HOSE |
| 3 | 25010007 | Pump Wet Kit Mount |
| 4 | 99501408 | SPROCKET 5014W 0.5 (KEY 0.125) |
| 5 | P0115113 | BOLT 3/8" X 1-1/2" GR8 PLATED |
| 6 | P0134026 | LOCKNUT-NYLON-3/8" GRADE 8 |
| 7 | P0141002 | TEK SCREW 1/4"X1" |
| 8 | P0151009 | FLAT WASHER 3/8"PLATED USS |
| 9 | P0311001 | ROLLER CHAIN FOR DRIVE(50-2RX14+CL) |
| 10 | P0335141 | SPROCKET 5014 1.25(KEY0.25) |
| 11 | P0391003 | KEY 1/4" X 1-1/2" LONG |
| 12 | P0820003 | SWIVEL-10ORBX1/2F90 |
| 13 | P0820010 | SWIVEL-8MORBX1/2"FPT/90D |
| 14 | P0832012 | HOSE 1/2(9'6")-1/2"MPT-1/2"MPT PC |
| 15 | 2300143 | PUMP,GEAR,W/SIDE PORTS,D22AA2A |
| 15 | 2300143S | SEAL KIT PARK PUMP |
| 16 | P0861014 | VALVE-CONTROL |
| 17 | P1210100 | 1 1/4 HYDMTR GUARD 4.5 X 6.5 |
| 18 | P029900052-3 | TANK, 22L, BLK W/FTG, CAP HOSE |
| 19 | P029900216 | GEAR CLAMP 32" |
| 20 | 1200011 | CAP,FOR RESERVOIR & GAS TANK |

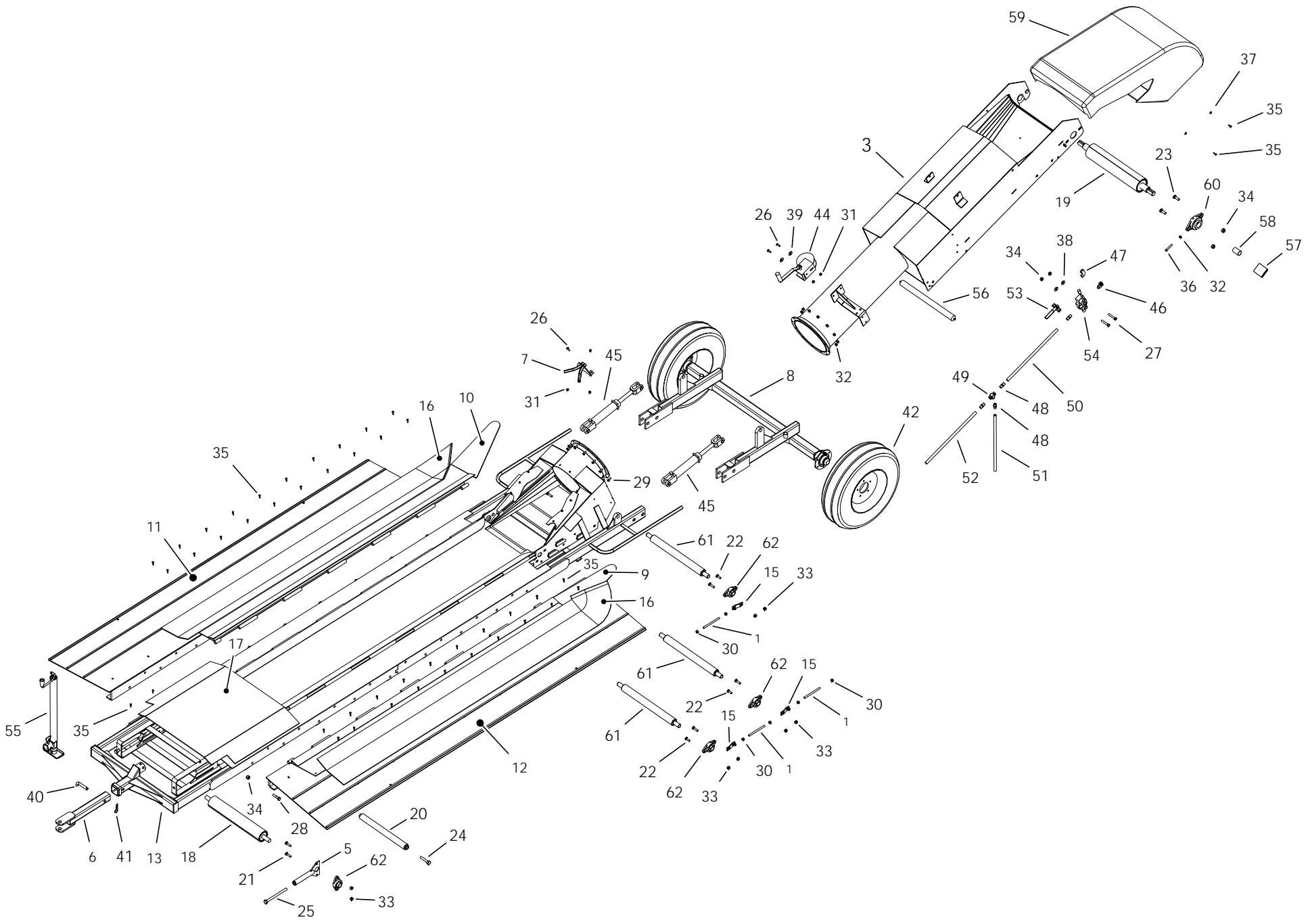
2400 SERIES (25001070)



2400 SERIES (25001070)

| ITEM | PART NO. | DESCRIPTION |
|------|-----------|-------------------------------------|
| 1 | 13102055 | TAB ADJUSTER ROD-1/2" X 7" |
| 3 | 24020011 | PITSTOP SPOUT - 24" BELT NEW |
| 4 | 25000702 | 24" PITSTOP 52' 4" |
| 5 | 25010001 | PITSTOP TIGHTENER |
| 6 | 25010005 | PITSTOP TONGUE |
| 7 | 25010015 | CABLE GUIDE - PIT |
| 8 | 25030036 | AXLE WELDMENT - 24"BELT |
| 9 | 25030037 | FLAP WELDMENT RIGHT - 24" BELT |
| 10 | 25030038 | FLAP WELDMENT LEFT - 24" BELT |
| 11 | 25030111 | PITSTOP RAMP WELDMENT LEFT |
| 12 | 25030112 | PITSTOP RAMP WELDMENT RIGHT |
| 13 | 25030120 | 24 PITSTOP CENTER WELDMENT |
| 14 | 25033076 | Hinge Pin For Pitstop Flap |
| 15 | 25050002 | BEARING TIGHTENER MOUNT RIGHT |
| 16 | 25053041 | PIT DECK FLASHING - 24" BELT |
| 17 | 25053040 | FOOT GUARD FLASHING - 24" BELT |
| 18 | 25070006 | PITSTOP TAKE-UP ROLLER - 24" BELT |
| 19 | 25070007 | PITSTOP SPOUT ROLLER - 24" BELT |
| 20 | 25070008 | PIT TRENCH RETURN ROLLER - 24" BELT |
| 21 | P0113001 | CARRIAGE BOLT 1/2"X2" PLATED |
| 22 | P0113004 | CARRIAGE BOLT 1/2"X1-1/2"PLATED |
| 23 | P0113007 | CARRIAGE BOLT 5/8"X2"PLATED |
| 24 | P0114001 | TAP BOLT 3/4 X 3-1/2 PLATED |
| 25 | P0114010 | TAP BOLT 3/4 X 9 UNC GR.5 PLATED |
| 26 | P0118046 | BOLT 3/8" X 1" GR8 PLATED |
| 27 | P0118063 | BOLT 5/16" X 2-1/2" GR8 PLATED |
| 28 | P0118070 | BOLT 5/8" X 2-1/2" GR8 PLATED |
| 29 | P0118076 | BOLT 7/16"X1" GRADE 8 PLATED |
| 30 | P0131015 | NUT 1/2" PLATED GRADE 8 |
| 31 | P0134026 | LOCKNUT-NYLON-3/8" GRADE 8 |
| 32 | P0134007 | LOCKNUT-NYLON-7/16" |
| 33 | P0134008 | LOCKNUT-NYLON-1/2" |
| 34 | P01340101 | LOCKNUT-NYLON-5/8" GRADE 8 |
| 35 | P0141003 | TEK SCREW 1/4"X1-1/2" HEX WASHER |
| 36 | P0145002 | SET SCREW-7/16"X2-1/2"SQ.HD. |
| 37 | P0151006 | FLAT WASHER 1/4"PLATED USS |
| 38 | P0151015 | FLAT WASHER 3/4"PLATED USS |
| 39 | P0151027 | FLAT WASHER 1"SAE |
| 40 | P0162002 | Pin Hitch 3/4 x 3 1/2 |
| 41 | P0163001 | HAIR PIN 3/16" X 3-1/4" |
| 42 | P0615308 | TIRE ASM -6BLT ST205/75R15 LRC 6PL |
| 43 | P0712105 | CABLE CLAMP-5/16" GALV. |
| 44 | P0714105 | WINCH T1602-1366(19141) |
| 45 | P0812008 | HYD CYL 2x8 |
| 46 | P0820009 | SWIVEL-6MORBX1/2"FPT/90D |
| 47 | P0820614 | ELBOW/STR-3/8"PT/90D |

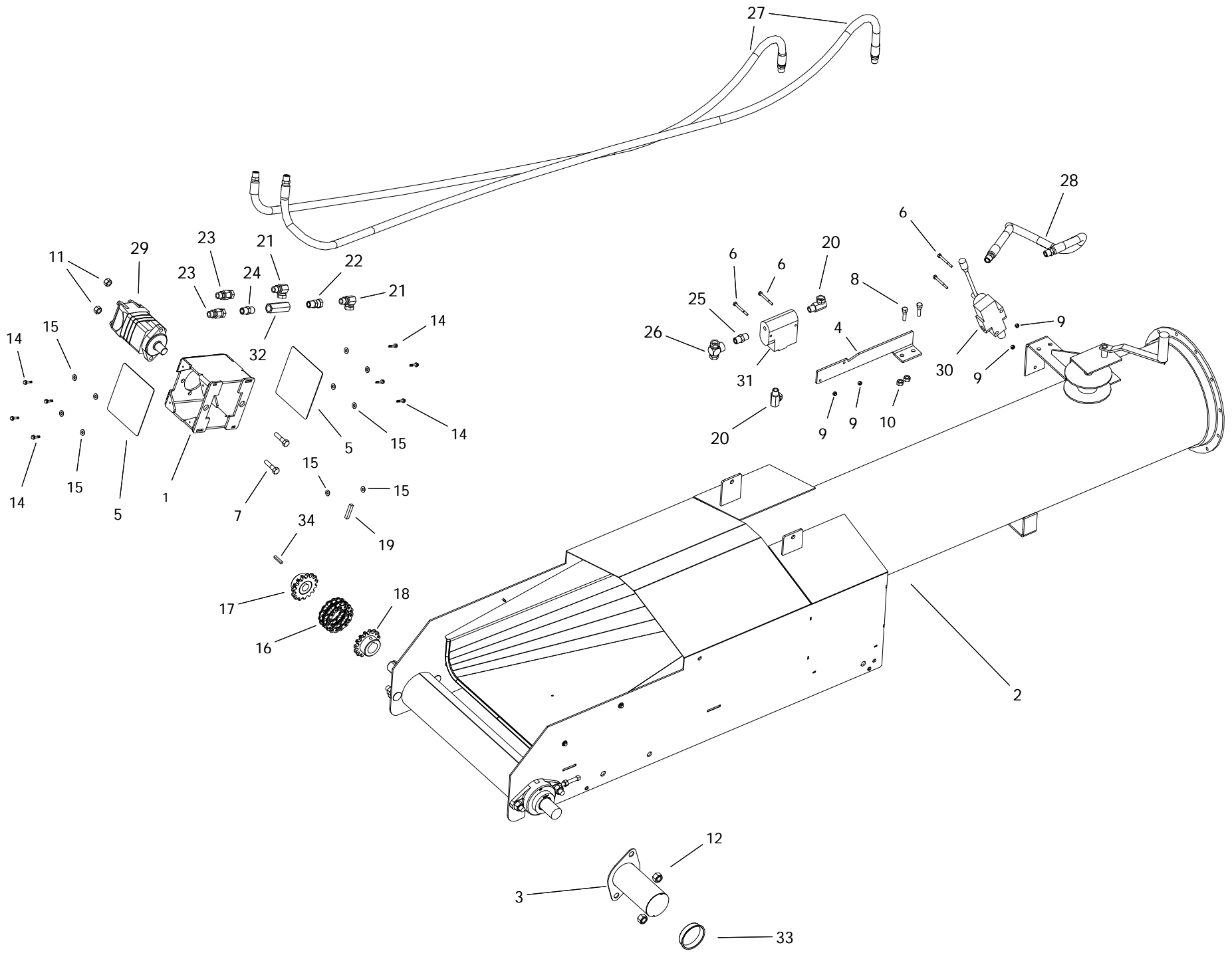
2400 SERIES (25001070)



2400 SERIES (25001070)

| ITEM | PART NO. | DESCRIPTION |
|------|-----------|-------------------------------------|
| 48 | P0821133 | HEX NIPPLE-1/2" |
| 49 | P0821201 | TEE-SWIVEL-1/2" FEM. |
| 50 | P0832023 | HOSE 3/8(10")-1/2MPT-1/2MPT PC |
| 51 | P0832034 | HOSE 3/8(3'7")-1/2MPT-1/2MPT PC |
| 52 | P0832035 | HOSE 3/8(5")-1/2MPT-1/2MPT PC |
| 53 | P0861001 | BALL VALVE-1/2" |
| 54 | P0861014 | VALVE-CONTROL |
| 55 | P1012009 | JACK-7000LB SQ.TUBE 25" EXT |
| 56 | P1021011 | ROLLER HEX 25" |
| 57 | P1210005 | Plastic-Guard-Keyed Shaft |
| 58 | P1210013 | VINYL CAP (1-1/2"X2-1/2") |
| 59 | P1212401 | HOOD-SQUARE 24 SERIES |
| 60 | P1711006 | FLANGE UNIT-1-15/16"-PREMIUM |
| 61 | P20325002 | PITSTOP TRANSITION ROLLER -24" BELT |
| 62 | P1711005 | FLANGE UNIT-1-1/4"-PREMIUM |

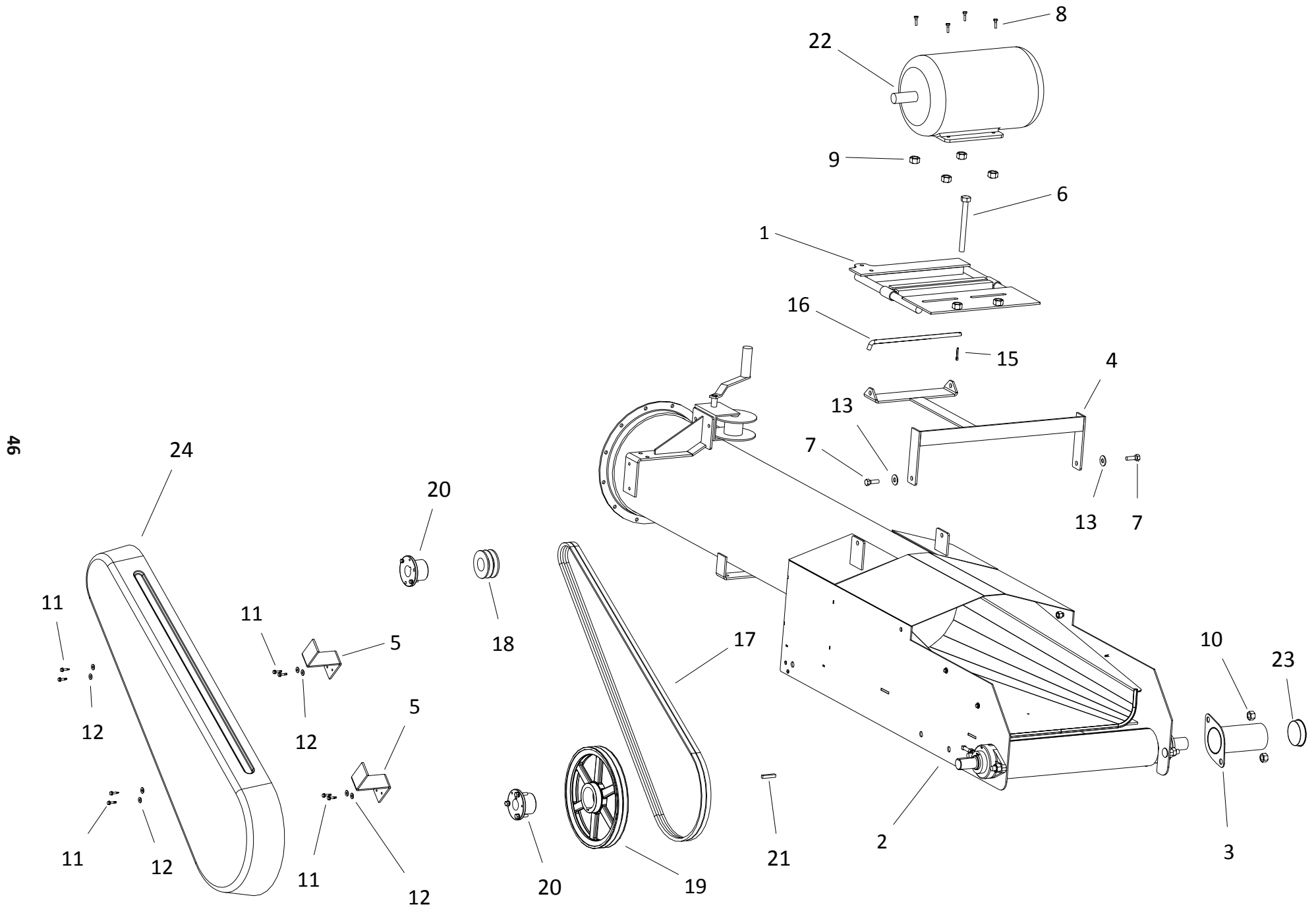
HYDRAULIC DRIVE KIT (250010031)



HYDRAULIC DRIVE KIT (250010031)

| ITEM | PART NO. | DESCRIPTION |
|------|-----------|------------------------------------|
| 1 | 20060003 | 1-15/16" HYD MOUNT 2000 SER |
| 2 | 24020011 | PITSTOP SPOUT - 24" BELT NEW |
| 3 | 24041038 | SHAFT GUARD(FL-210) |
| 4 | 25010002 | FLOW CONTROL BRACKET |
| 5 | 25041007 | 24" PIT HYD DRIVE GUARD |
| 6 | P0115122 | BOLT 1/4" X 3" GR8 PLATED |
| 7 | P0118016 | BOLT 1/2" X 2" GR8 PLATED |
| 8 | P0118076 | BOLT 7/16"X1" GRADE 8 PLATED |
| 9 | P0134023 | LOCKNUT-NYLON-1/4" GR8 |
| 10 | P0134007 | LOCKNUT-NYLON-7/16" |
| 11 | P0134008 | LOCKNUT-NYLON-1/2" |
| 12 | P01340101 | LOCKNUT-NYLON-5/8" GRADE 8 |
| 14 | P0141002 | TEK SCREW 1/4"X1" |
| 15 | P0151006 | FLAT WASHER 1/4"PLATED USS |
| 16 | P0311007 | R/CHAIN-DRIVE(60-2RX14+CL+OL) |
| 17 | P0336154 | SPROCKET-6015-1"BORE |
| 18 | P0336155 | SPROCKET-6015-1-1/2"BORE |
| 19 | P0391002 | KEY 3/8" X 2" LONG |
| 20 | P0820001 | SWIVEL-1/2"90 DEGREE |
| 21 | P0820010 | SWIVEL-8MORBX1/2"FPT/90D |
| 22 | P0821112 | SWIVEL-1/2" STRAIGHT |
| 23 | P0821114 | SWIVEL-10ORBX1/2"FS |
| 24 | P0821133 | HEX NIPPLE-1/2" |
| 25 | P0821133 | HEX NIPPLE-1/2" |
| 26 | P0821201 | TEE-SWIVEL-1/2" FEM. |
| 27 | P0832012 | HOSE 1/2(9'6")-1/2"MPT-1/2"MPT PC |
| 28 | P0832014 | HOSE 1/2(1'10")-1/2"MPT-1/2"MPT PC |
| 29 | P0841040 | HYD MOTOR 8.0 2000S |
| 30 | P0861014 | VALVE-CONTROL |
| 31 | P0861016 | VALVE-FLOW CONTROL 1/2 |
| 32 | P0861035 | CHECK VALVE-1/2" (NO HOLE) |
| 33 | P1210033 | 501 SHAFT GUARD PLUG |
| 34 | 13202119 | KEY 1/4" X 1-1/2" |
| 35 | P1243001 | CABLE TIE 14" 120 LB |

ELECTRIC DRIVE KIT (250010011)



ELECTRIC DRIVE KIT (250010011)

| ITEM | PART NO. | DESCRIPTION |
|------|-----------|---------------------------------|
| 1 | 13060027 | 13 SERIES HD MOTOR MOUNT PLATE |
| 2 | 24020011 | PITSTOP SPOUT - 24" BELT NEW |
| 3 | 24041038 | SHAFT GUARD(FL-210) |
| 4 | 24060004 | 24 TD ELECTRIC MOTOR CLAMP |
| 5 | 25013011 | PIT GUARD MOUNT |
| 6 | P0114007 | TAP BOLT 3/4 X 7 PLATED |
| 7 | P0118020 | BOLT 1/2" X 1-1/4" GR8 PLATED |
| 8 | P0118061 | BOLT 5/16" X 1" GR8 PLATED |
| 9 | P0124005 | LOCKNUT 5/16" |
| 10 | P01340101 | LOCKNUT-NYLON-5/8" GRADE 8 |
| 11 | P0141002 | TEK SCREW 1/4"X1" |
| 12 | P0151006 | FLAT WASHER 1/4"PLATED USS |
| 13 | P0151029 | FLAT WASHER 1/2"PLATED USS |
| 14 | P0152008 | LOCK WASHER 1/2"PLATED |
| 15 | P0161003 | COTTER PIN 3/16"X1-1/2"PLATED |
| 16 | P0162006 | PIN-ELECT.MTR.MNT-LONG |
| 17 | P0321108 | BELT B108 |
| 18 | P0328016 | PULLEY-DOUBLE-3.4" |
| 19 | P0328100 | PULLEY-DBL-B-13.6"SK |
| 20 | P0341924 | HUB SK 1-1/2 |
| 21 | P0391002 | KEY 3/8" X 2" LONG |
| 22 | P0931005 | MOTOR 10HP 3PH 230/460V 1740RPM |
| 23 | P1210033 | 501 SHAFT GUARD PLUG |
| 24 | P1211803 | PIT GUARD |



Shipping: 201 Industrial Drive, Swift Current, Saskatchewan S9H 5R4, CANADA

Mailing: Box 1750, Swift Current, Saskatchewan S9H 4J8, CANADA

Toll-Free: (877) 667-7421 (Canada & USA)

Phone: (306) 773-7779

Fax: (306) 778-2524

Email: info@batcomfg.com

Web: www.batcomfg.com

Batco is part of the Ag Growth International group

© Ag Growth International 2019

Printed in Canada