



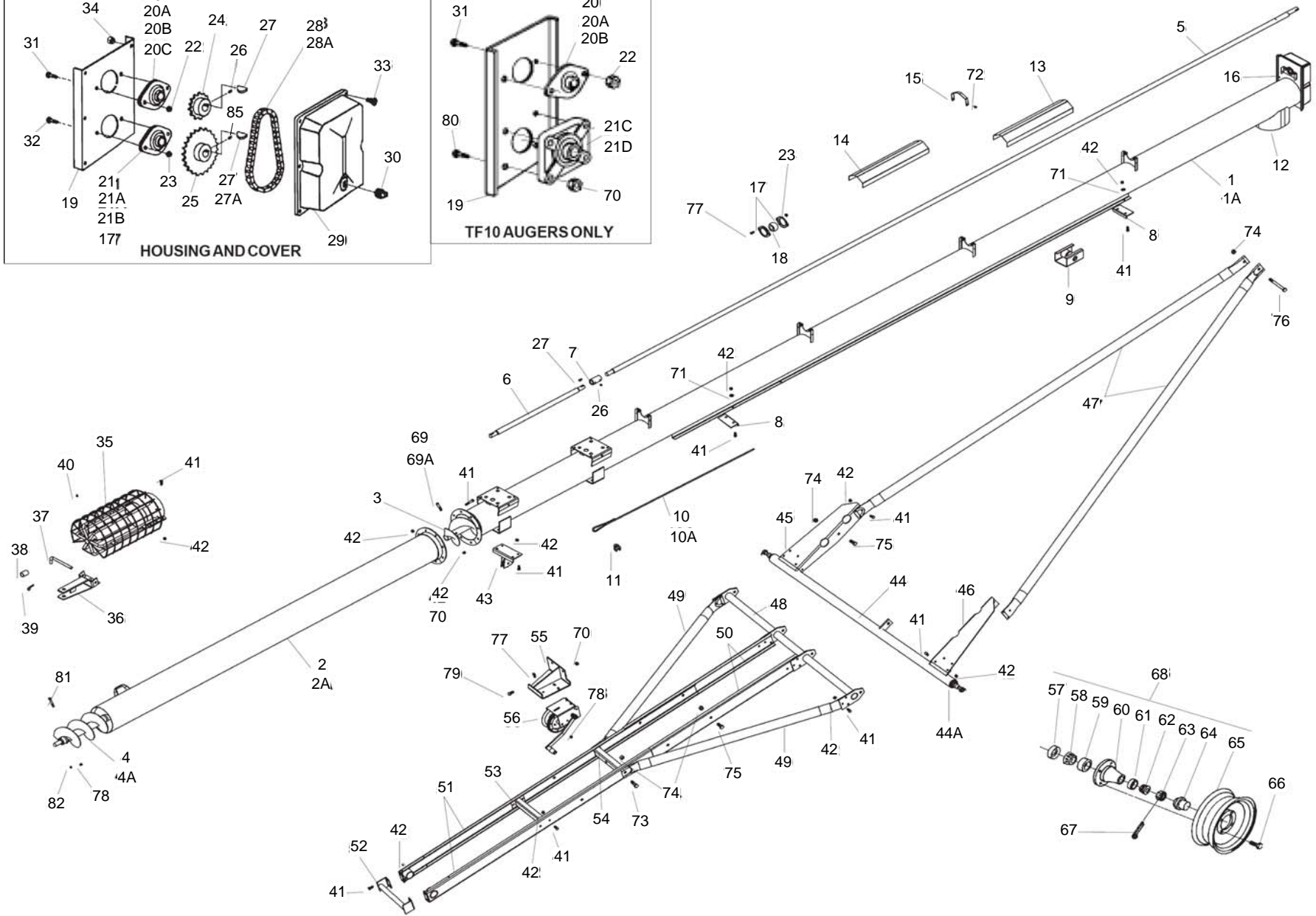
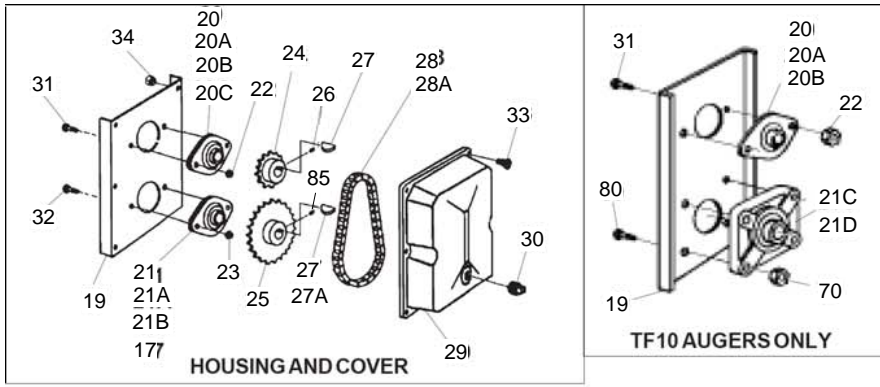
**TF80 - 100 AUGERS
& SP KITS**

PARTS MANUAL

TABLE OF CONTENTS

DESCRIPTION	PAGE
TF80-31 BASIC AUGER	4
TF80-36 BASIC AUGER	8
TF100 31 BASIC AUGER	12
TF100 36 BASIC AUGER	16
TF80-41 BASIC AUGER	20
TF100-41 BASIC AUGER	24
TF80-46 BASIC AUGER	28
TF80-51 BASIC AUGER	34
UPPER BELT-GAS DRIVE COMPONENTS	40
EMD-PTO DRIVE COMPONENTS	44
TFX SP KIT FRAME COMPONENTS (2011 MODEL)	48
SP KIT FRAME COMPONENTS	52
SP KIT GEAR PUMP & GEAR DRIVE COMPONENTS	54
SP KIT HYDRAULIC COMPONENTS	56
A197, HYDRAULIC WINCH	58
SP KIT HYDRAULIC LINES 8X31 0200324A-60	60
SP KIT HYDRAULIC LINES 8X36 0200324A-61	62
SP KIT HYDRAULIC LINES 8X41 0200324A-62	64
SP KIT HYDRAULIC LINES 8X46 0200324A-63	66
SP KIT HYDRAULIC LINES 8X51 0200324A-64	68
SP KIT HYDRAULIC LINES 10X31 0200324A-60	70
SP KIT HYDRAULIC LINES 10X36 0200324A-61	72
SP KIT HYDRAULIC LINES 10X41 0200324A-62	74
A224-A225 ELECTRIC CLUTCH	76

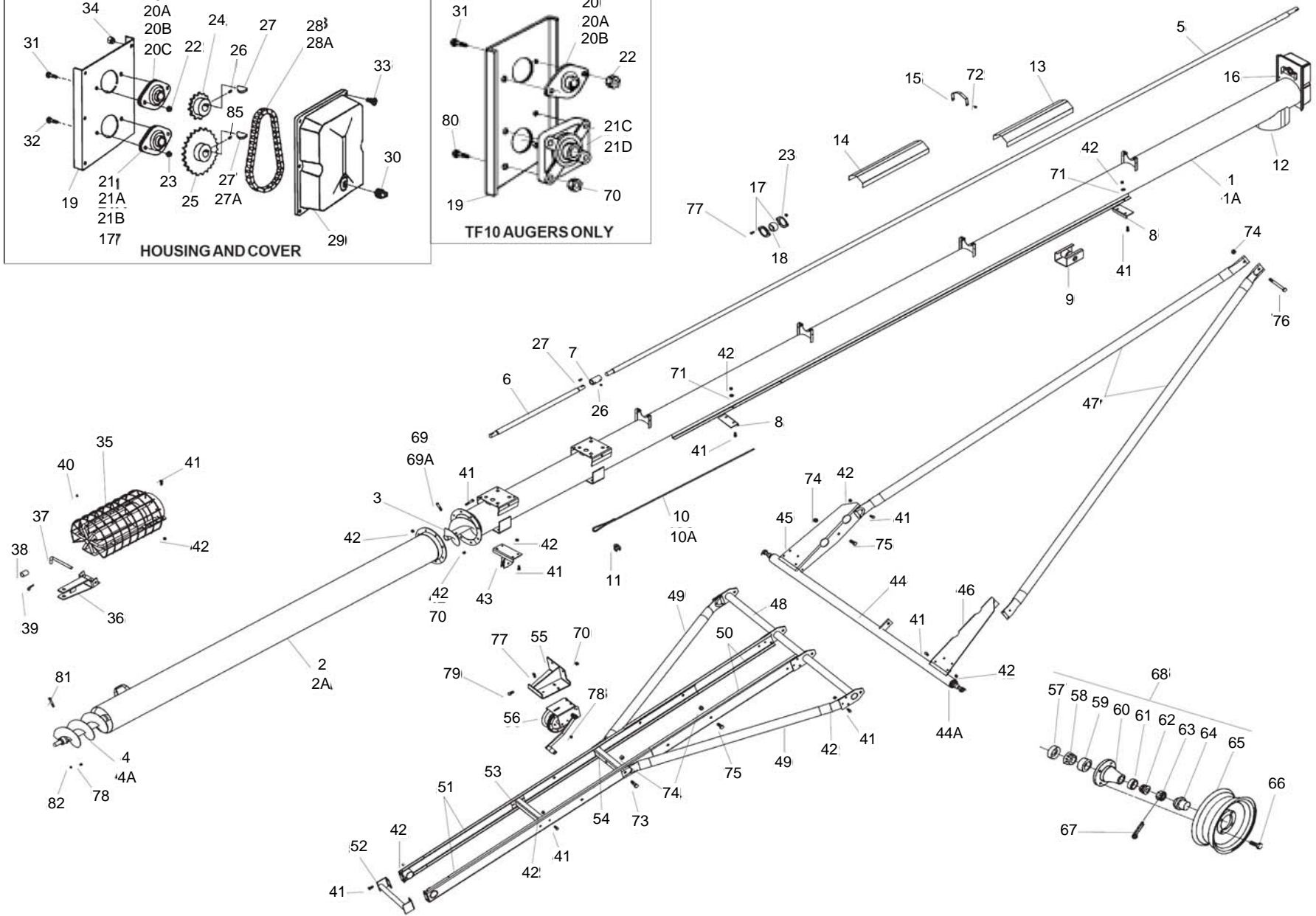
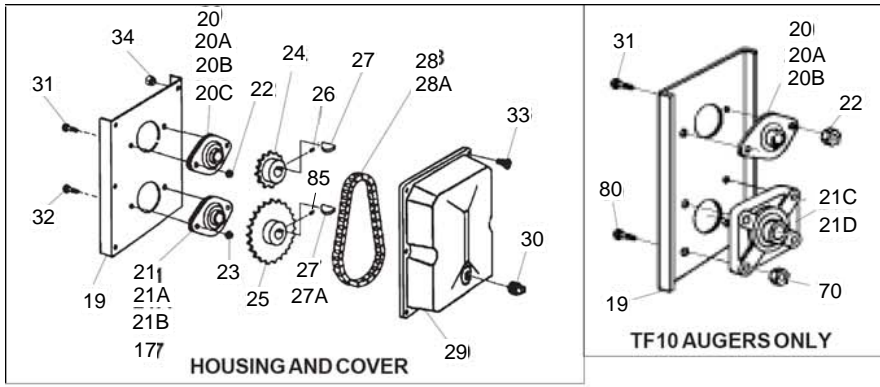
TF80-31 BASIC AUGER



TF80-31 BASIC AUGER

ITEM	PART NO.	DESCRIPTION
1	10-27821	Upper tube section w/driveshaft, housing, track
1A	10-27850	Upper tube bundle, as shipped
2	10-19390	Lower tube section
2A	10-19062	Lower tube bundle, as shipped
3	10-19402	Upper flight section
4	10-19393	Lower flight section (w/ intake flight)
4A	10-17534	Slip on intake flight
5	10-27903	Driveshaft, upper
8	10-18762	Track stop
9	10-18763	Roller track shoe
10	10-18823	1/4" Lift cable, 38' long
11	10-19147	1/4" Cable clamp
12	10-17156	Weld-on spout
14	10-18829	60" Driveshaft shield
15	10-19256	Shield tie-down strap
16	10-19257	Shield attach bracket
17	10-18695	1-1/4" Bearing flange, single
18	10-18693	1-1/4" Split hardwood bearing, set of 2 halves
19	10-17172	Upper drive housing
20	10-19321	1" Flangette bearing, 2 bolt
20A	10-18817	1" Bearing, less flange
20B	10-18694	1" Bearing flange, single
20C	10-17167	Gasket for 1" flangette bearing
21	10-19322	1-1/4" Bearing flange, 2 bolt
21A	10-18853	1-1/4" Bearing, less flange
21B	10-17168	Gasket for 1-1/4" flangette bearing
22	10-19595	Whiznut, 5/16"
23	10-19596	Whiznut, 3/8"
24	10-19430	Upper sprocket
25	10-19431	Lower sprocket
26	10-19225	Setscrew, 3/8" - 16 x 3/8"
27	10-19224	Woodruff key, 1/4" x 1"
28	10-19432	Roller chain w/connector
28A	10-19433	Roller chain connector only
29	10-17158	Oil bath housing cover
30	10-17179	3/8" Oil bath plug
31	10-19538	5/16" X 3/4" NC BOLT GR 2 PLTD
32	10-19540	3/8" X 3/4" NC BOLT GR 5 PLTD
33	10-19988	Bolt, 1/4" x 1" GR2
34	10-19594	Whiznut, 1/4"
35	10-19398	Intake hitch w/shield, bushing, grease fitting
36	10-17123	Clevis, less bolt
37	10-17181	5/8" Clevis pin
38	10-19149	Bushing
39	10-17383	Grip clip
40	10-19222	Press-in grease fitting
41	10-19542	Bolt, 7/16" x 1" GR5
42	10-19598	Locknut, 7/16"
43	10-27862	Cable return
44	10-27848	Axle assembly

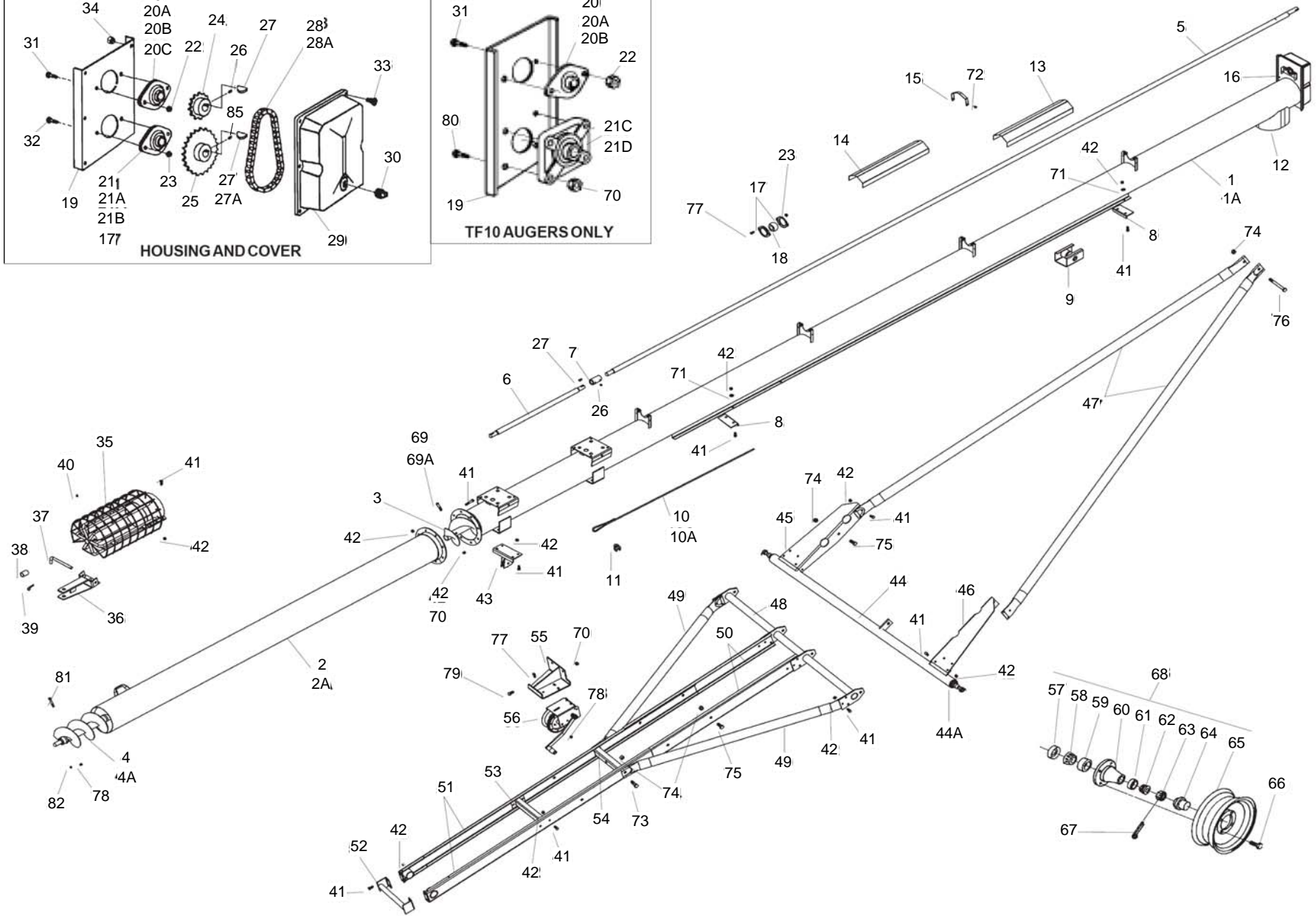
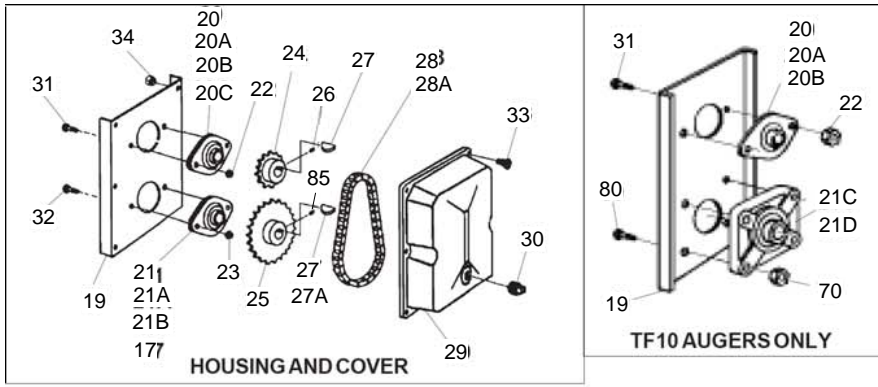
TF80-31 BASIC AUGER



TF80-31 BASIC AUGER

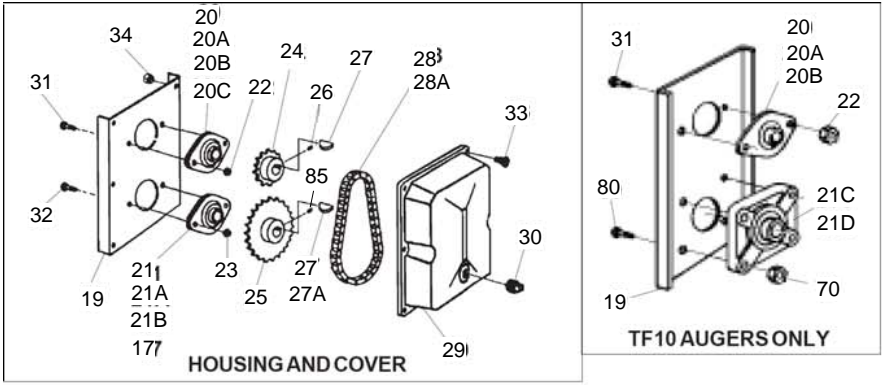
ITEM	PART NO.	DESCRIPTION
44A	10-19263	Weld-on spindle only
45	10-27875	Upright baseplate, LH
46	10-27874	Upright baseplate, RH
47	10-27880	Upper lift arm
48	10-27849	Long crossmember
49	10-27884	Lower frame tube
50	10-27883	Lower frame channel
51	10-27842	Upper frame channel
52	10-27846	Upper channel spacer
53	10-27843	Top frame cross brace
54	10-27844	Winch mount cross brace
55	10-27861	Winch mount
56	10-19152	Winch and handle
57	10-19264	Seal
58	10-19265	Large bearing, Timken #LM67048
59	10-19266	Large cup, Timken #LM67010
60	10-19267	Hub w/cups
61	10-19268	Small cup, Timken #LM11910
62	10-19269	Small bearing, Timken #LM11949
63	10-19270	Slotted nut, 3/4" - 16
64	10-19272	Dust cap
65	10-19261	15" Wheel, 4 bolt
66	10-19273	1/2" X 1" WHEEL BOLT
67	10-19271	Cotter pin, 1/8" x 1-1/2"
68	10-19467	Hub assembly, complete
69	10-19545	Bolt, 7/16" x 2-1/4" GR8
70	10-19599	Locknut, 1/2"
71	10-17182	Track stop washers
72	10-19274	Self tapping screw, 1/4" - 14 x 5/8"
73	10-19991	Bolt, 5/8" x 2" GR8
74	10-19600	Locknut, 5/8"
75	10-19590	Bolt, 5/8 x 1-1/2" GR8
76	10-19591	Bolt, 5/8" x 6-1/2" GR8
77	10-18955	Bolt, 3/8" x 1" GR5
78	10-17402	Locknut, 3/8"
79	10-19588	Bolt, 1/2" x 1-1/4" GR5
81	10-18699	Bolt, 3/8" x 2-1/2"
82	10-17760	Setscrew, 3/8" x 1/2"
83	10-27922	TF8 x 31 Carton
84	10-27983	TF0 - 0 - 4 Carton
85	10-29118	SETSCREW, 3/8" X 3/4" GR8 SQ HEAD

TF80-36 BASIC AUGER

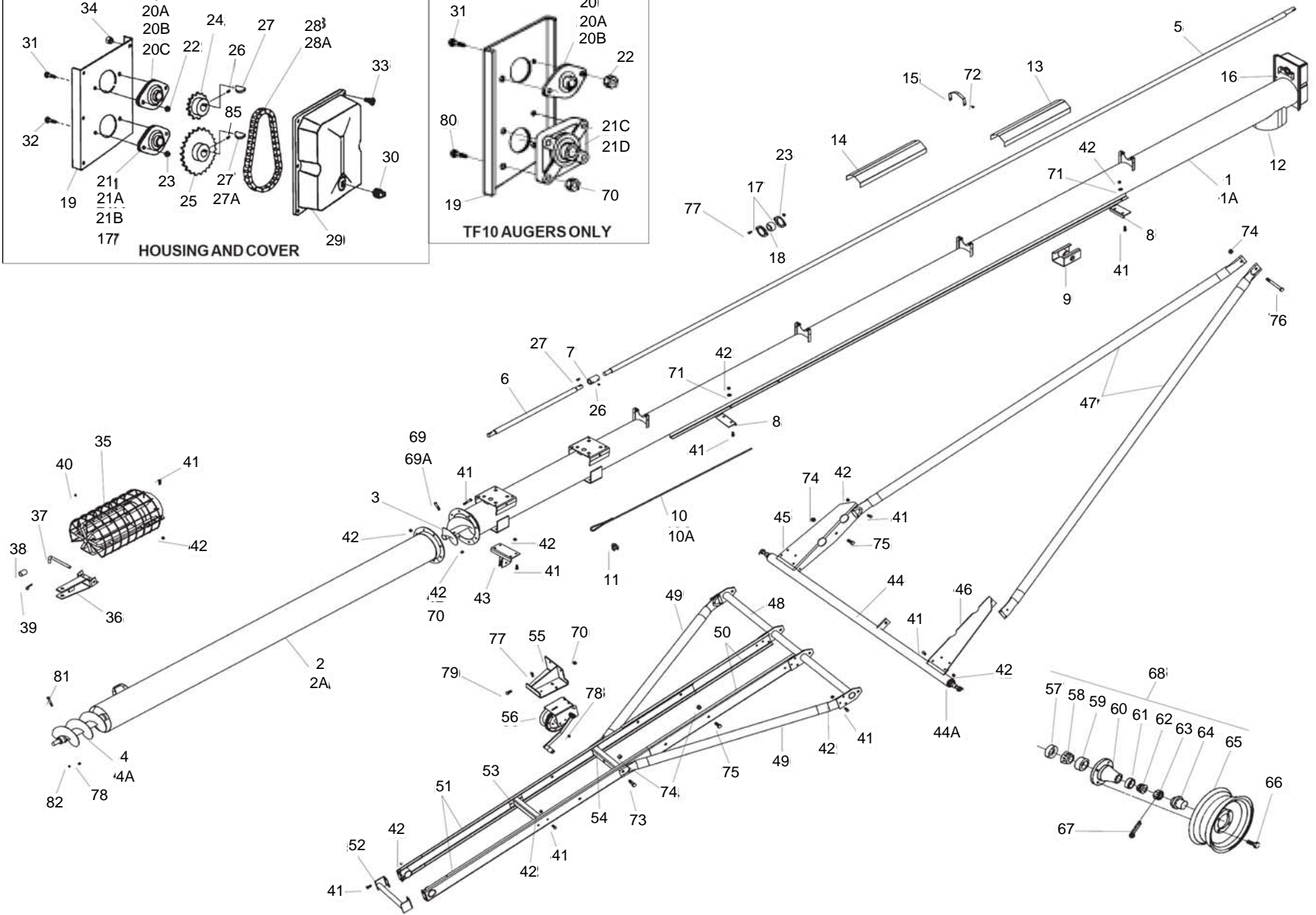


TF80-36 BASIC AUGER

ITEM	PART NO.	DESCRIPTION
1	10-27821	Upper tube section w/driveshaft, housing, track
1A	10-27850	Upper tube bundle, as shipped
2	10-27822	Lower tube section
2A	10-27851	Lower tube bundle, as shipped
3	10-19402	Upper flight section
4	10-19407	Lower flight section (w/ intake flight)
4A	10-17534	Slip on intake flight
5	10-27903	Driveshaft, upper
6	10-27904	Driveshaft, lower
7	10-19119	1" Straight connector
8	10-18762	Track stop
9	10-18763	Roller track shoe
10A	10-19249	1/4" Lift cable, 44' long
11	10-19147	1/4" Cable clamp
12	10-17156	Weld-on spout
13	10-19254	42" Driveshaft shield
14	10-18829	60" Driveshaft shield
15	10-19256	Shield tie-down strap
16	10-19257	Shield attach bracket
17	10-18695	1-1/4" Bearing flange, single
18	10-18693	1-1/4" Split hardwood bearing, set of 2 halves
19	10-17172	Upper drive housing
20	10-19321	1" Flangette bearing, 2 bolt
20A	10-18817	1" Bearing, less flange
20B	10-18694	1" Bearing flange, single
20C	10-17167	Gasket for 1" flangette bearing
21	10-19322	1-1/4" Bearing flange, 2 bolt
21A	10-18853	1-1/4" Bearing, less flange
21B	10-17168	Gasket for 1-1/4" flangette bearing
22	10-19595	Whiznut, 5/16"
23	10-19596	Whiznut, 3/8"
24	10-19430	Upper sprocket
25	10-19431	Lower sprocket
26	10-19225	Setscrew, 3/8" - 16 x 3/8"
27	10-19224	Woodruff key, 1/4" x 1"
28	10-19432	Roller chain w/connector
28A	10-19433	Roller chain connector only
29	10-17158	Oil bath housing cover
30	10-17179	3/8" Oil bath plug
31	10-19538	5/16" X 3/4" NC BOLT GR 2 PLTD
32	10-19540	3/8" X 3/4" NC BOLT GR 5 PLTD
33	10-19988	Bolt, 1/4" x 1" GR2
34	10-19594	Whiznut, 1/4"
35	10-19398	Intake hitch w/shield, bushing, grease fitting
36	10-17123	Clevis, less bolt
37	10-17181	5/8" Clevis pin
38	10-19149	Bushing
39	10-17383	Grip clip
40	10-19222	Press-in grease fitting
41	10-19542	Bolt, 7/16" x 1" GR5

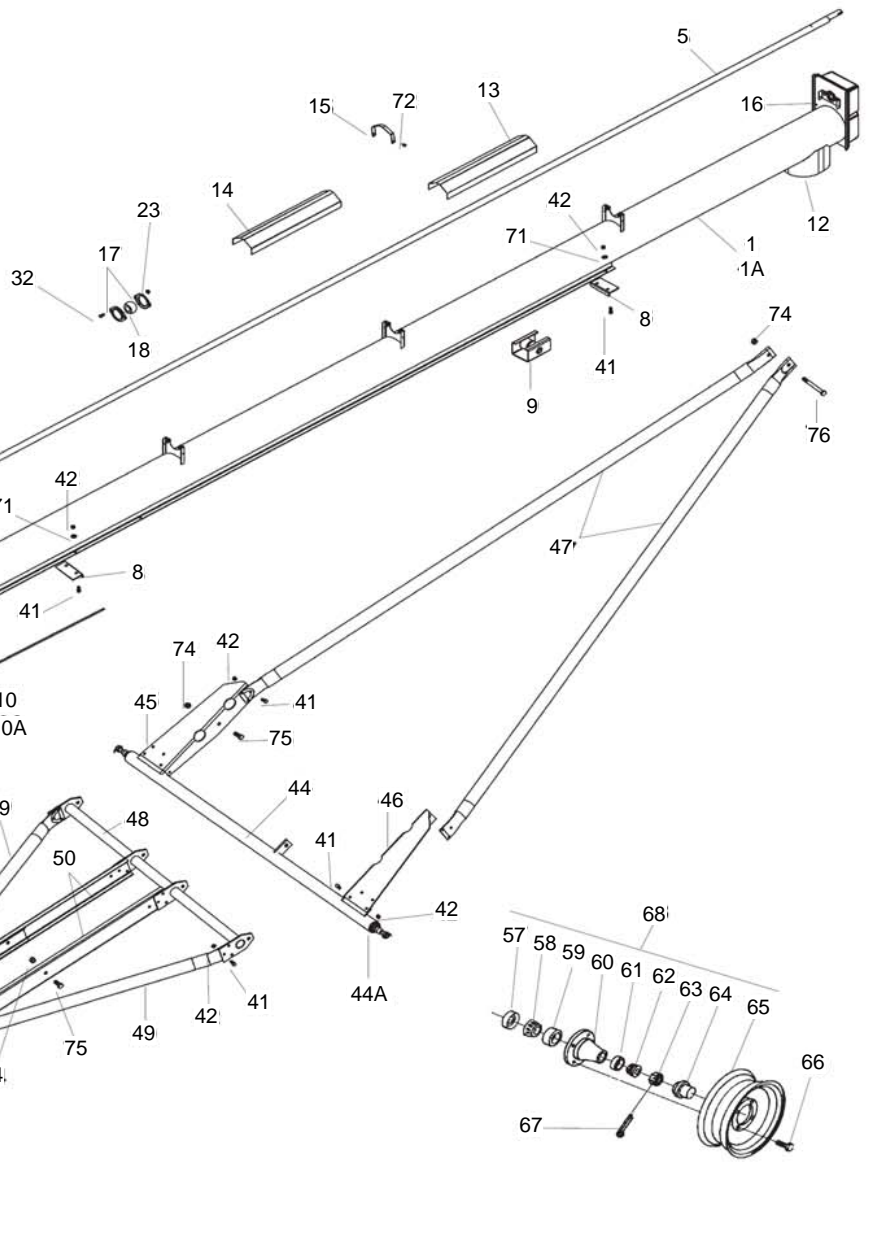
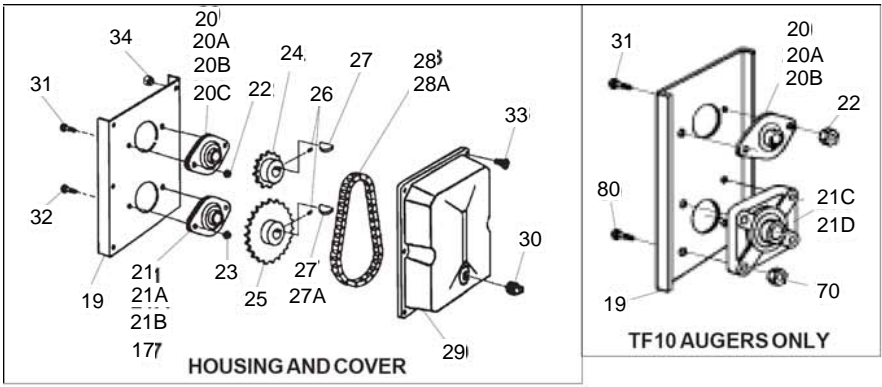


10



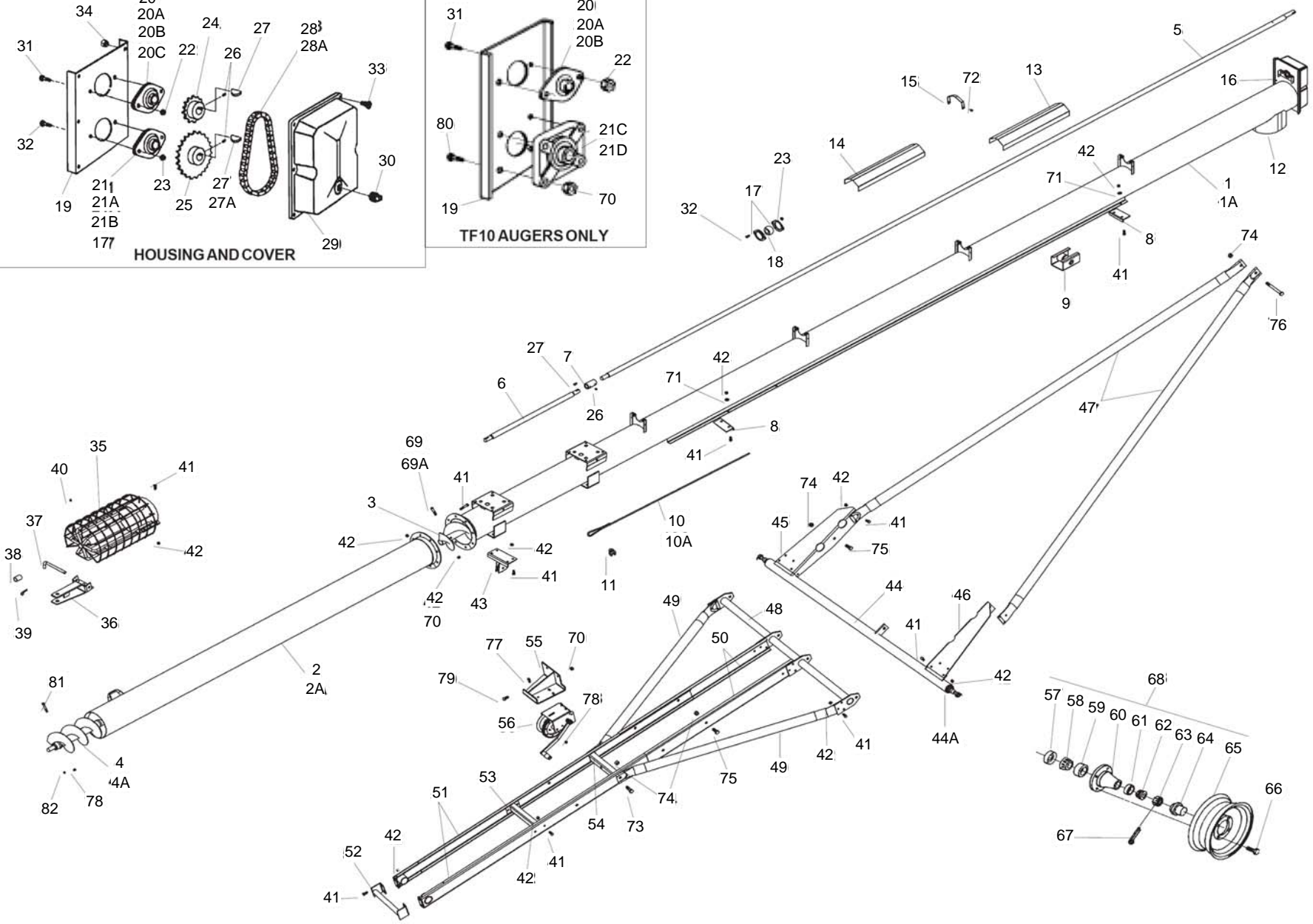
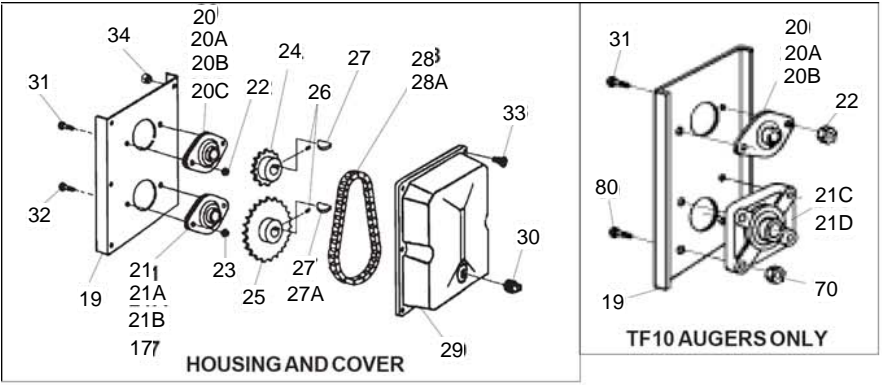
TF80-36 BASIC AUGER

ITEM	PART NO.	DESCRIPTION
42	10-19598	Locknut, 7/16"
43	10-27862	Cable return
44	10-27848	Axle assembly
44A	10-19263	Weld-on spindle only
45	10-27875	Upright baseplate, LH
46	10-27874	Upright baseplate, RH
47	10-27879	Upper lift arm
48	10-27849	Long crossmember
49	10-27884	Lower frame tube
50	10-27883	Lower frame channel
51	10-27842	Upper frame channel
52	10-27846	Upper channel spacer
53	10-27843	Top frame cross brace
54	10-27844	Winch mount cross brace
55	10-27861	Winch mount
56	10-19152	Winch and handle
57	10-19264	Seal
58	10-19265	Large bearing, Timken #LM67048
59	10-19266	Large cup, Timken #LM67010
60	10-19267	Hub w/cups
61	10-19268	Small cup, Timken #LM11910
62	10-19269	Small bearing, Timken #LM11949
63	10-19270	Slotted nut, 3/4" - 16
64	10-19272	Dust cap
65	10-19261	15" Wheel, 4 bolt
66	10-19273	1/2" X 1" WHEEL BOLT
67	10-19271	Cotter pin, 1/8" x 1-1/2"
68	10-19467	Hub assembly, complete
69	10-19545	Bolt, 7/16" x 2-1/4" GR8
70	10-19599	Locknut, 1/2"
71	10-17182	Track stop washers
72	10-19274	Selt tapping screw, 1/4" - 14 x 5/8"
73	10-19991	Bolt, 5/8" x 2" GR8
74	10-19600	Locknut, 5/8"
75	10-19590	Bolt, 5/8 x 1-1/2" GR8
76	10-19591	Bolt, 5/8" x 6-1/2" GR8
77	10-18955	Bolt, 3/8" x 1" GR5
78	10-17402	Locknut, 3/8"
79	10-19588	Bolt, 1/2" x 1-1/4" GR5
81	10-18699	Bolt, 3/8" x 2-1/2"
82	10-17760	Setscrew, 3/8" x 1/2"
83	10-27923	TF8 x 36 Carton
84	10-27984	TF1 - 0 - 4 Carton
85	10-29118	SETSCREW, 3/8" X 3/4" GR8 SQ HEAD



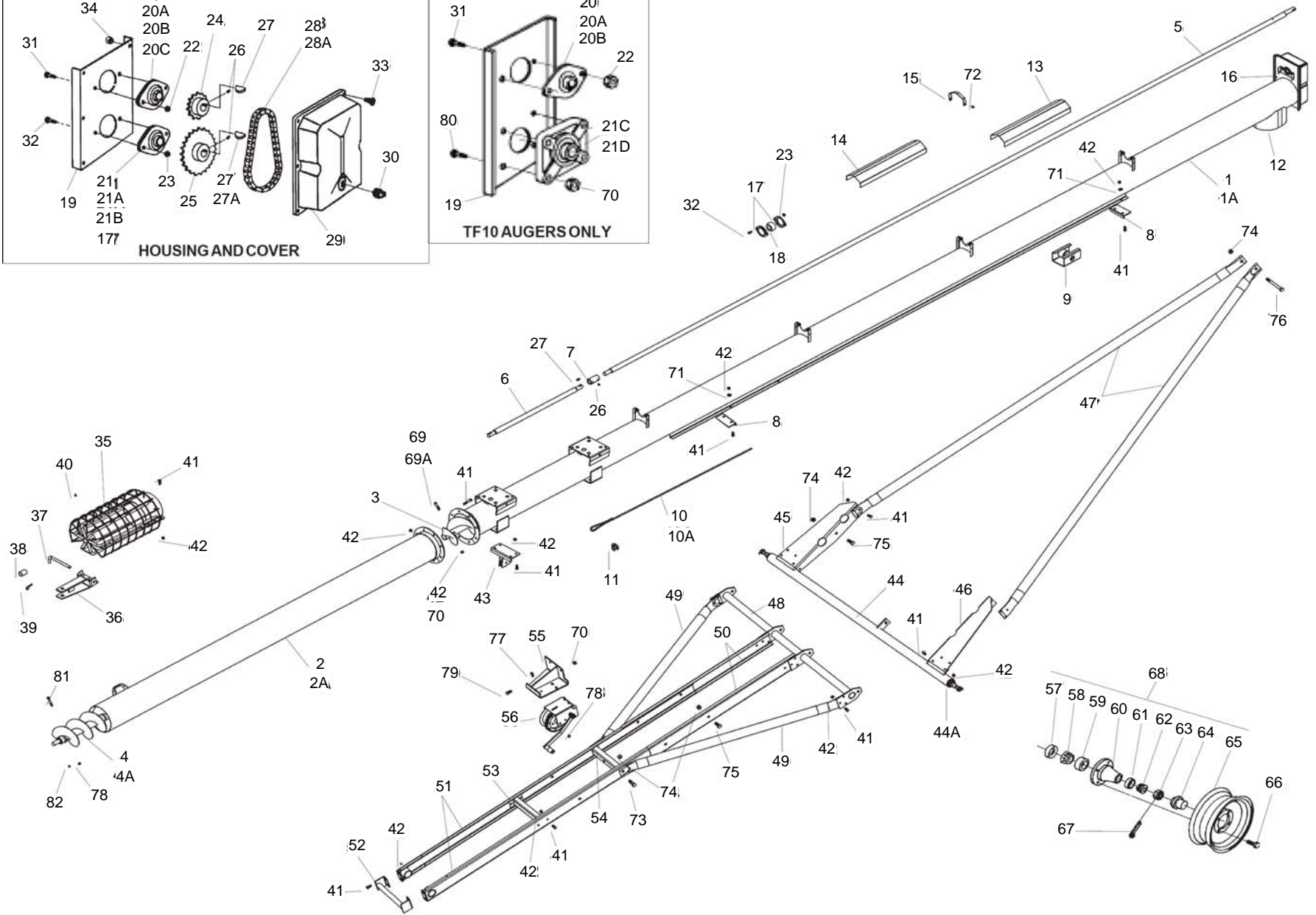
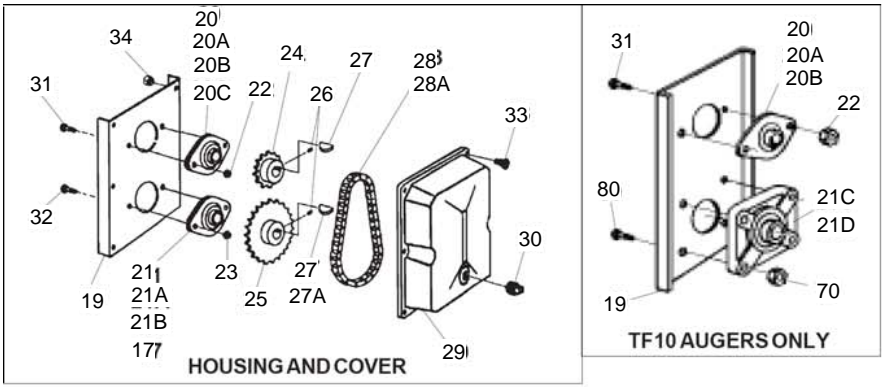
TF100 31 BASIC AUGER

ITEM	PART NO.	DESCRIPTION
1	10-27828	Upper tube section w/driveshaft, housing, track
1A	10-27854	Upper tube bundle, as shipped
2	10-19735	Lower tube section
2A	10-19736	Lower tube bundle, as shipped
3	10-19753	Upper flight section
4	10-19754	Lower flight section (w/ intake flight)
4A	10-17535	Slip on intake flight
5	10-27903	Driveshaft, upper
8	10-18762	Track stop
9	10-18763	Roller track shoe
10	10-18823	1/4" Lift cable, 38' long
11	10-19147	1/4" Cable clamp
12	10-17225	Weld-on spout
14	10-18829	60" Driveshaft shield
15	10-19256	Shield tie-down strap
16	10-19257	Shield attach bracket
17	10-18695	1-1/4" Bearing flange, single
18	10-18693	1-1/4" Split hardwood bearing, set of 2 halves
19	10-17226	Upper drive housing
20	10-19321	1" Flangette bearing, 2 bolt
20A	10-18817	1" Bearing, less flange
20B	10-18694	1" Bearing flange, single
20C	10-17167	Gasket for 1" flangette bearing
21C	10-19567	1-1/4" Pillow block bearing
21D	10-18852	1-1/4" Pillow block bearing only
22	10-19595	Whiznut, 5/16"
23	10-19596	Whiznut, 3/8"
24	10-19430	Upper sprocket
25	10-18697	Lower sprocket
26	10-19225	Setscrew, 3/8" - 16 x 3/8"
27	10-19224	Woodruff key, 1/4" x 1"
27A	10-19606	1/4" x 1-1/2" SQ key
28	10-18696	Roller chain w/connector
28A	10-19433	Roller chain connector only
29	10-17160	Oil bath housing cover
30	10-17179	3/8" Oil bath plug
31	10-17749	Bolt, 5/16" - 18 x 3/4"
32	10-18184	Bolt, 3/8" - 16 x 3/4"
33	10-19988	Bolt, 1/4" x 1" GR2
34	10-19594	Whiznut, 1/4"
35	10-19774	Intake hitch w/shield, bushing, grease fitting
36	10-17180	Clevis, less bolt
37	10-17181	5/8" Clevis pin
38	10-19776	Bushing
39	10-17383	Grip clip
40	10-19222	Press-in grease fitting
41	10-19542	Bolt, 7/16" x 1" GR5
42	10-19598	Locknut, 7/16"
43	10-27862	Cable return
44	10-27848	Axle assembly



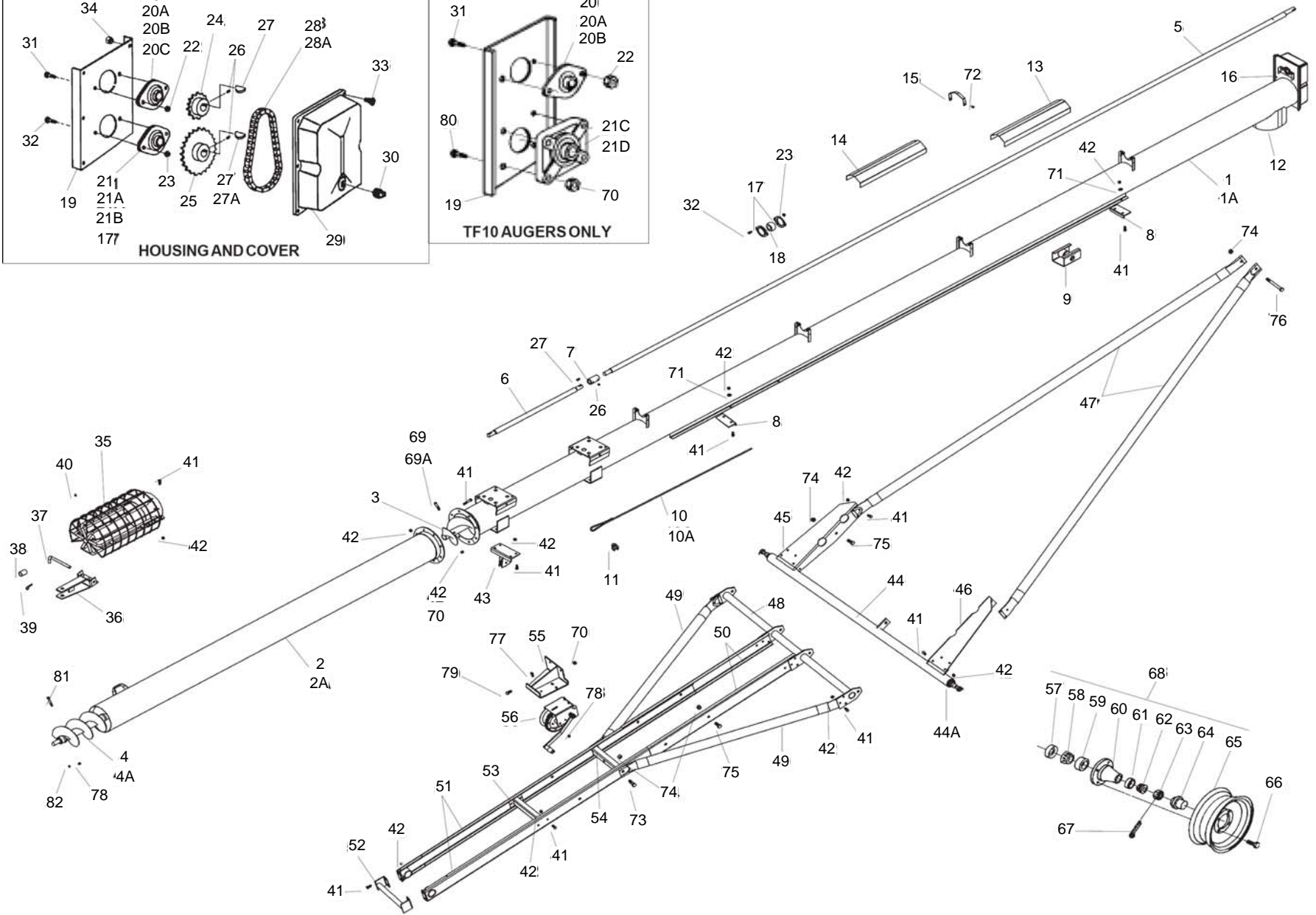
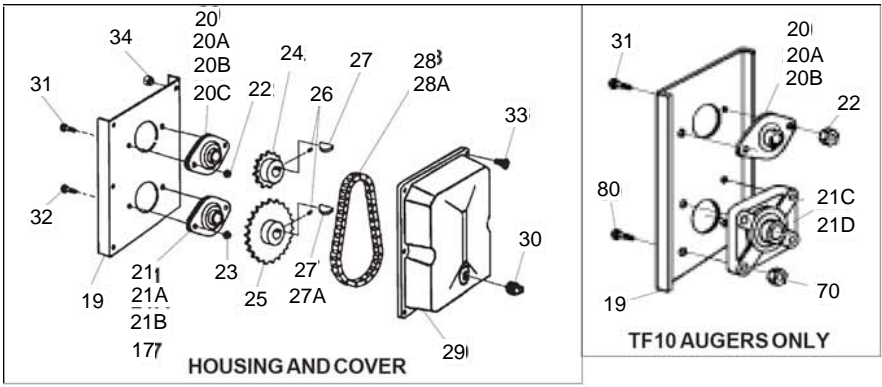
TF100 31 BASIC AUGER

ITEM	PART NO.	DESCRIPTION
44A	10-19263	Weld-on spindle only
45	10-27875	Upright baseplate, LH
46	10-27874	Upright baseplate, RH
47	10-27880	Upper lift arm
48	10-27849	Long crossmember
49	10-27884	Lower frame tube
50	10-27883	Lower frame channel
51	10-27842	Upper frame channel
52	10-27846	Upper channel spacer
53	10-27843	Top frame cross brace
54	10-27844	Winch mount cross brace
55	10-27861	Winch mount
56	10-19152	Winch and handle
57	10-19264	Seal
58	10-19265	Large bearing, Timken #LM67048
59	10-19266	Large cup, Timken #LM67010
60	10-19267	Hub w/cups
61	10-19268	Small cup, Timken #LM11910
62	10-19269	Small bearing, Timken #LM11949
63	10-19270	Slotted nut, 3/4" - 16
64	10-19272	Dust cap
65	10-19261	15" Wheel, 4 bolt
66	10-19273	1/2" X 1" WHEEL BOLT
67	10-19271	Cotter pin, 1/8" x 1-1/2"
68	10-19467	Hub assembly, complete
69A	10-19798	Bolt, 1/2" x 2-3/4" GR8
70	10-19599	Locknut, 1/2"
71	10-17182	Track stop washers
72	10-19274	Self tapping screw, 1/4" - 14 x 5/8"
73	10-19991	Bolt, 5/8" x 2" GR8
74	10-19600	Locknut, 5/8"
75	10-19590	Bolt, 5/8 x 1-1/2" GR8
76	10-19591	Bolt, 5/8" x 6-1/2" GR8
77	10-18955	Bolt, 3/8" x 1" GR5
78	10-17402	Locknut, 3/8"
79	10-19588	Bolt, 1/2" x 1-1/4" GR5
80	10-17746	Bolt, 1/2" x 1-1/2"
81	10-18699	Bolt, 3/8" x 2-1/2"
82	10-17760	Setscrew, 3/8" x 1/2"
83	10-27927	TF10 x 31 Carton
84	10-27983	TF0 - 0 - 4 Carton



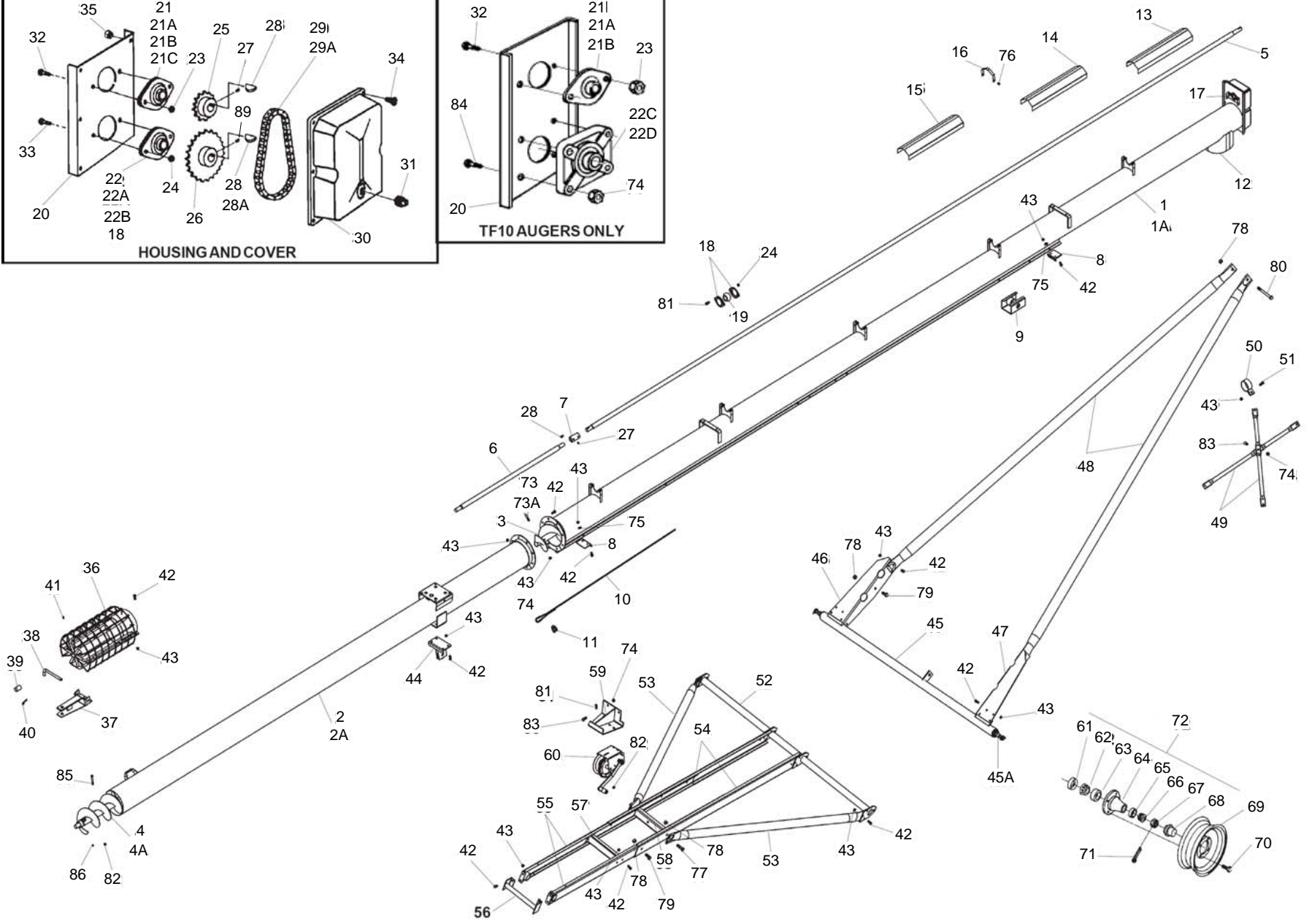
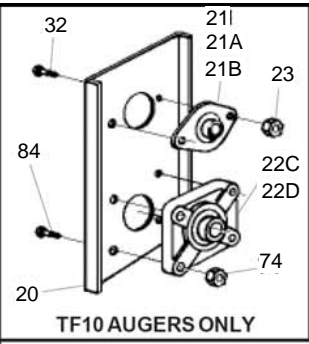
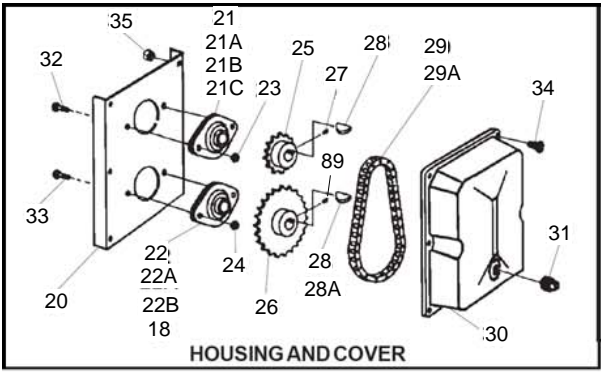
TF100 36 BASIC AUGER

ITEM	PART NO.	DESCRIPTION
1	10-27828	Upper tube section w/driveshaft, housing, track
1A	10-27854	Upper tube bundle, as shipped
2	10-27829	Lower tube section
2A	10-27855	Lower tube bundle, as shipped
3	10-19753	Upper flight section
4	10-19758	Lower flight section (w/ intake flight)
4A	10-17535	Slip on intake flight
5	10-27903	Driveshaft, upper
6	10-27904	Driveshaft, lower
7	10-19119	1" Straight connector
8	10-18762	Track stop
9	10-18763	Roller track shoe
10A	10-19249	1/4" Lift cable, 44' long
11	10-19147	1/4" Cable clamp
12	10-17225	Weld-on spout
13	10-19254	42" Driveshaft shield
14	10-18829	60" Driveshaft shield
15	10-19256	Shield tie-down strap
16	10-19257	Shield attach bracket
17	10-18695	1-1/4" Bearing flange, single
18	10-18693	1-1/4" Split hardwood bearing, set of 2 halves
19	10-17226	Upper drive housing
20	10-19321	1" Flangette bearing, 2 bolt
20A	10-18817	1" Bearing, less flange
20B	10-18694	1" Bearing flange, single
20C	10-17167	Gasket for 1" flangette bearing
21C	10-19567	1-1/4" Pillow block bearing
21D	10-18852	1-1/4" Pillow block bearing only
22	10-19595	Whiznut, 5/16"
23	10-19596	Whiznut, 3/8"
24	10-19430	Upper sprocket
25	10-18697	Lower sprocket
26	10-19225	Setscrew, 3/8" - 16 x 3/8"
27	10-19224	Woodruff key, 1/4" x 1"
27A	10-19606	1/4" x 1-1/2" SQ key
28	10-18696	Roller chain w/connector
28A	10-19433	Roller chain connector only
29	10-17160	Oil bath housing cover
30	10-17179	3/8" Oil bath plug
31	10-17749	Bolt, 5/16" - 18 x 3/4"
32	10-18184	Bolt, 3/8" - 16 x 3/4"
33	10-19988	Bolt, 1/4" x 1" GR2
34	10-19594	Whiznut, 1/4"
35	10-19774	Intake hitch w/shield, bushing, grease fitting
36	10-17180	Clevis, less bolt
37	10-17181	5/8" Clevis pin
38	10-19776	Bushing
39	10-17383	Grip clip
40	10-19222	Press-in grease fitting
41	10-19542	Bolt, 7/16" x 1" GR5



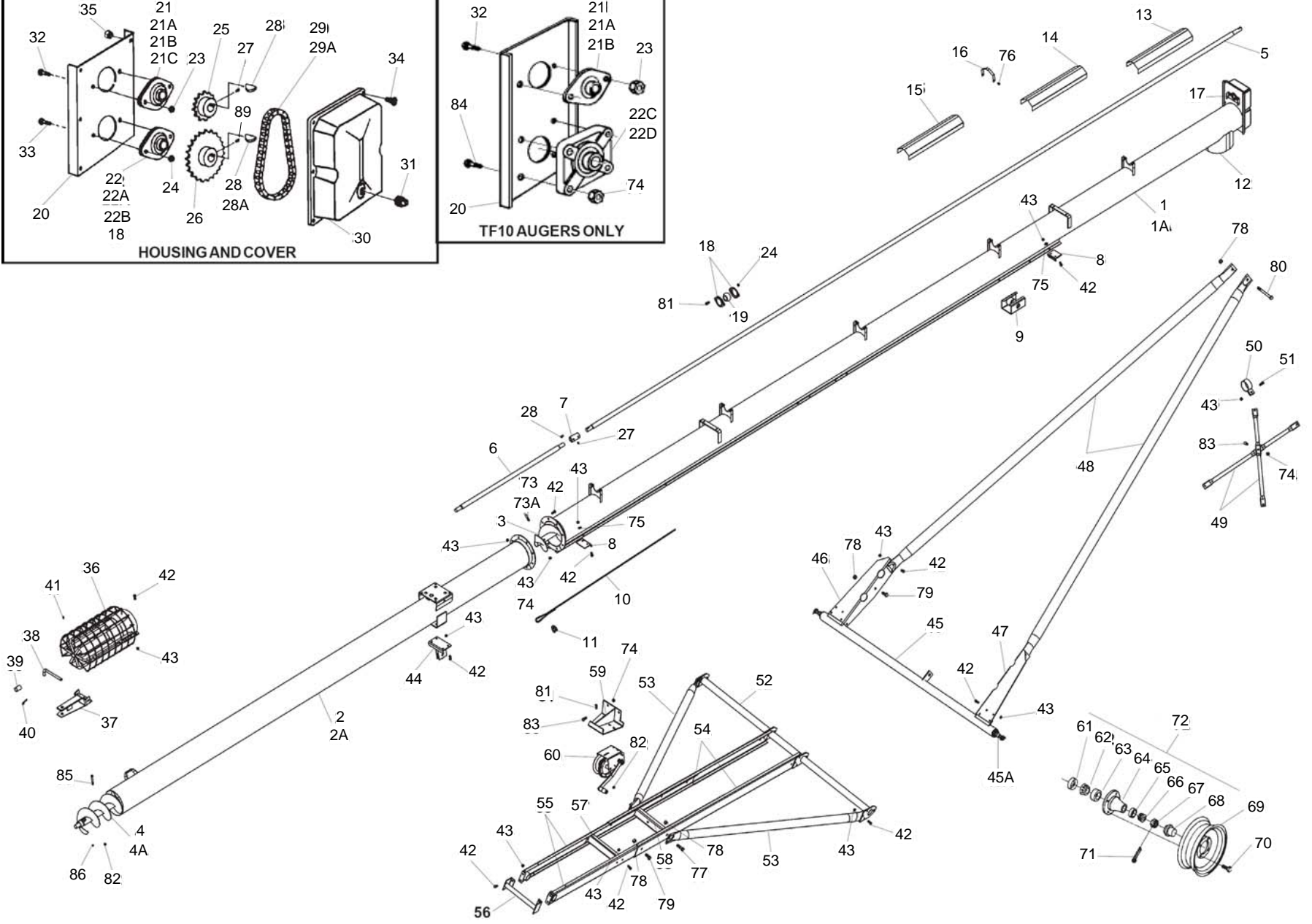
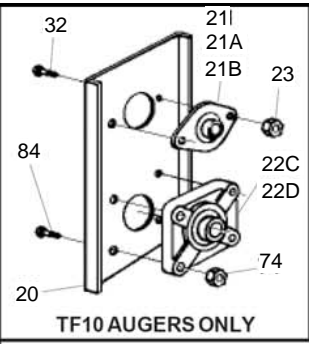
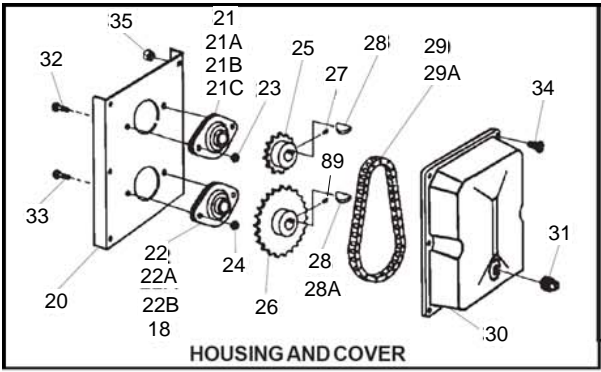
TF100 36 BASIC AUGER

ITEM	PART NO.	DESCRIPTION
42	10-19598	Locknut, 7/16"
43	10-27862	Cable return
44	10-27848	Axle assembly
44A	10-19263	Weld-on spindle only
45	10-27875	Upright baseplate, LH
46	10-27874	Upright baseplate, RH
47	10-27879	Upper lift arm
48	10-27849	Long crossmember
49	10-27884	Lower frame tube
50	10-27883	Lower frame channel
51	10-27842	Upper frame channel
52	10-27846	Upper channel spacer
53	10-27843	Top frame cross brace
54	10-27844	Winch mount cross brace
55	10-27861	Winch mount
56	10-19152	Winch and handle
57	10-19264	Seal
58	10-19265	Large bearing, Timken #LM67048
59	10-19266	Large cup, Timken #LM67010
60	10-19267	Hub w/cups
61	10-19268	Small cup, Timken #LM11910
62	10-19269	Small bearing, Timken #LM11949
63	10-19270	Slotted nut, 3/4" - 16
64	10-19272	Dust cap
65	10-19261	15" Wheel, 4 bolt
66	10-19273	1/2" X 1" WHEEL BOLT
67	10-19271	Cotter pin, 1/8" x 1-1/2"
68	10-19467	Hub assembly, complete
69A	10-19798	Bolt, 1/2" x 2-3/4" GR8
70	10-19599	Locknut, 1/2"
71	10-17182	Track stop washers
72	10-19274	Selt tapping screw, 1/4" - 14 x 5/8"
73	10-19991	Bolt, 5/8" x 2" GR8
74	10-19600	Locknut, 5/8"
75	10-19590	Bolt, 5/8 x 1-1/2" GR8
76	10-19591	Bolt, 5/8" x 6-1/2" GR8
77	10-18955	Bolt, 3/8" x 1" GR5
78	10-17402	Locknut, 3/8"
79	10-19588	Bolt, 1/2" x 1-1/4" GR5
80	10-17746	Bolt, 1/2" x 1-1/2"
81	10-18699	Bolt, 3/8" x 2-1/2"
82	10-17760	Setscrew, 3/8" x 1/2"
83	10-27928	TF10 x 36 Carton
84	10-27984	TF1 - 0 - 4 Carton



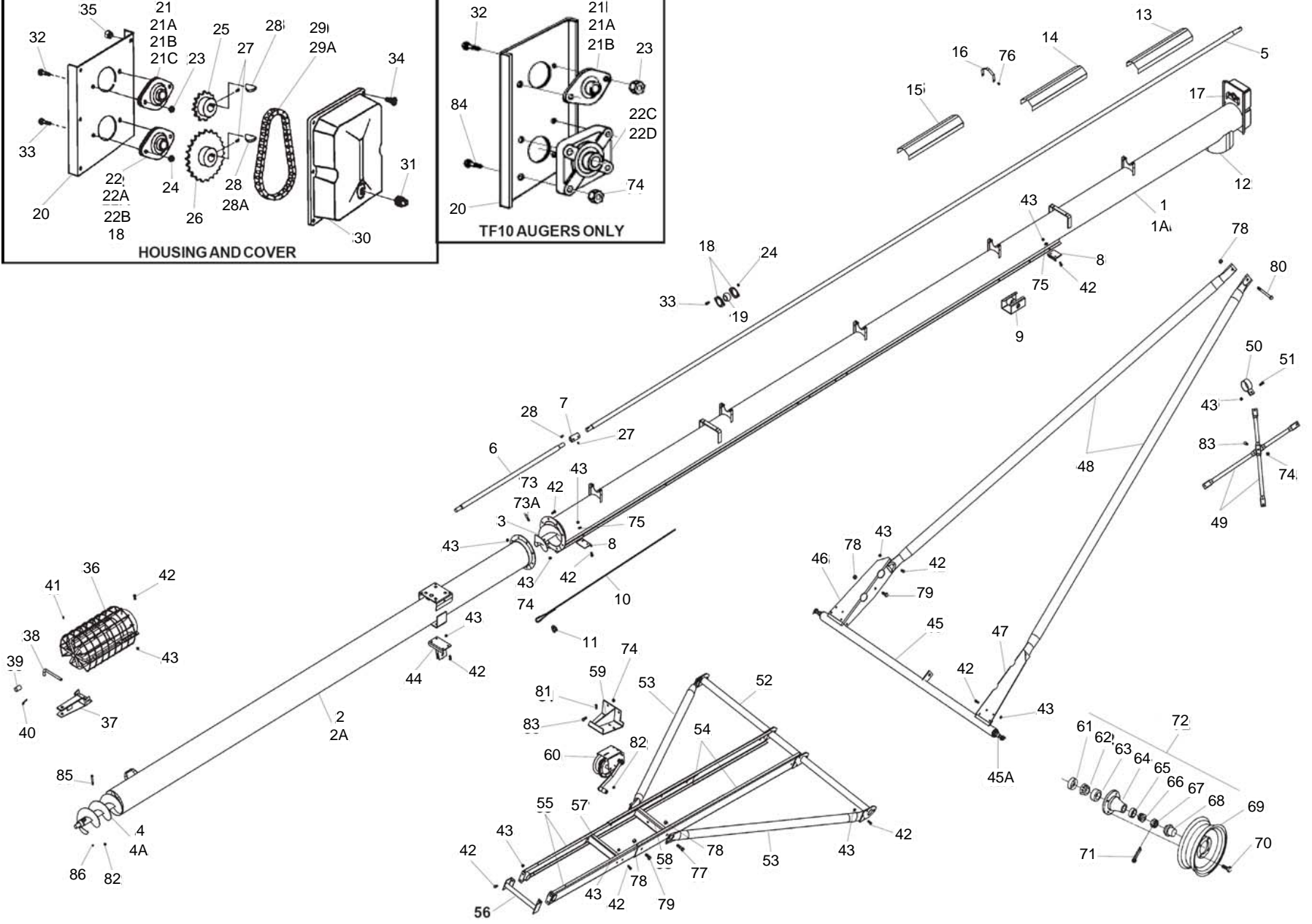
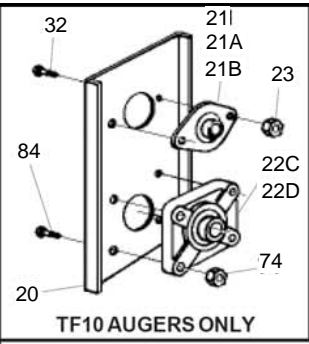
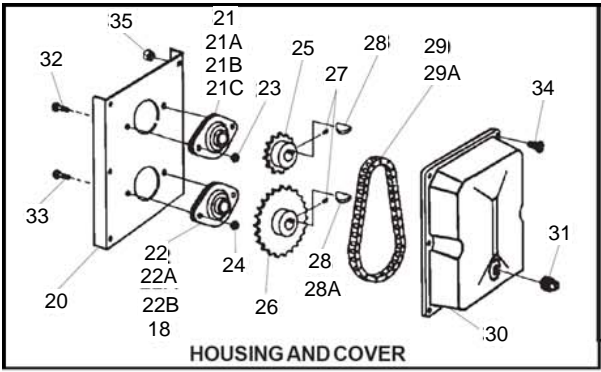
TF80-41 BASIC AUGER

ITEM	PART NO.	DESCRIPTION
1	10-27824	Upper tube section w/driveshaft, housing, track
1A	10-27839	Upper tube bundle, as shipped
2	10-27823	Lower tube section
2A	10-27852	Lower tube bundle, as shipped
3	10-19402	Upper flight section
4	10-19408	Lower flight section (w/ intake flight)
4A	10-17534	Slip on intake flight
5	10-18702	Driveshaft, upper
6	10-27900	Driveshaft, lower
7	10-19119	1" Straight connector
8	10-18762	Track stop
9	10-18763	Roller track shoe
10	10-18824	1/4" Lift cable, 49' long
11	10-19147	1/4" Cable clamp
12	10-17156	Weld-on spout
13	10-19254	42" Driveshaft shield
14	10-19255	48" Driveshaft shield
15	10-18829	60" Driveshaft shield
16	10-19256	Shield tie-down strap
17	10-19257	Shield attach bracket
18	10-18695	1-1/4" Bearing flange, single
19	10-18693	1-1/4" Split hardwood bearing, set of 2 halves
20	10-17172	Upper drive housing
21	10-19321	1" Flangette bearing, 2 bolt
21A	10-18817	1" Bearing, less flange
21B	10-18694	1" Bearing flange, single
21C	10-17167	Gasket for 1" flangette bearing
22	10-19322	1-1/4" Bearing flange, 2 bolt
22A	10-18853	1-1/4" Bearing, less flange
22B	10-17168	Gasket for 1-1/4" flangette bearing
23	10-19595	Whiznut, 5/16"
24	10-19596	Whiznut, 3/8"
25	10-19430	Upper sprocket
26	10-19431	Lower sprocket
27	10-19225	Setscrew, 3/8" - 16 x 3/8"
28	10-19224	Woodruff key, 1/4" x 1"
29	10-19432	Roller chain w/connector
29A	10-19433	Roller chain connector only
30	10-17158	Oil bath housing cover
31	10-17179	3/8" Oil bath plug
32	10-19538	5/16" X 3/4" NC BOLT GR 2 PLTD
33	10-19540	3/8" X 3/4" NC BOLT GR 5 PLTD
34	10-19988	Bolt, 1/4" x 1" GR2
35	10-19594	Whiznut, 1/4"
36	10-19398	Intake hitch w/shield, bushing, grease fitting
37	10-17123	Clevis, less bolt
38	10-17181	5/8" Clevis pin
39	10-19149	Bushing
40	10-17383	Grip clip
41	10-19222	Press-in grease fitting



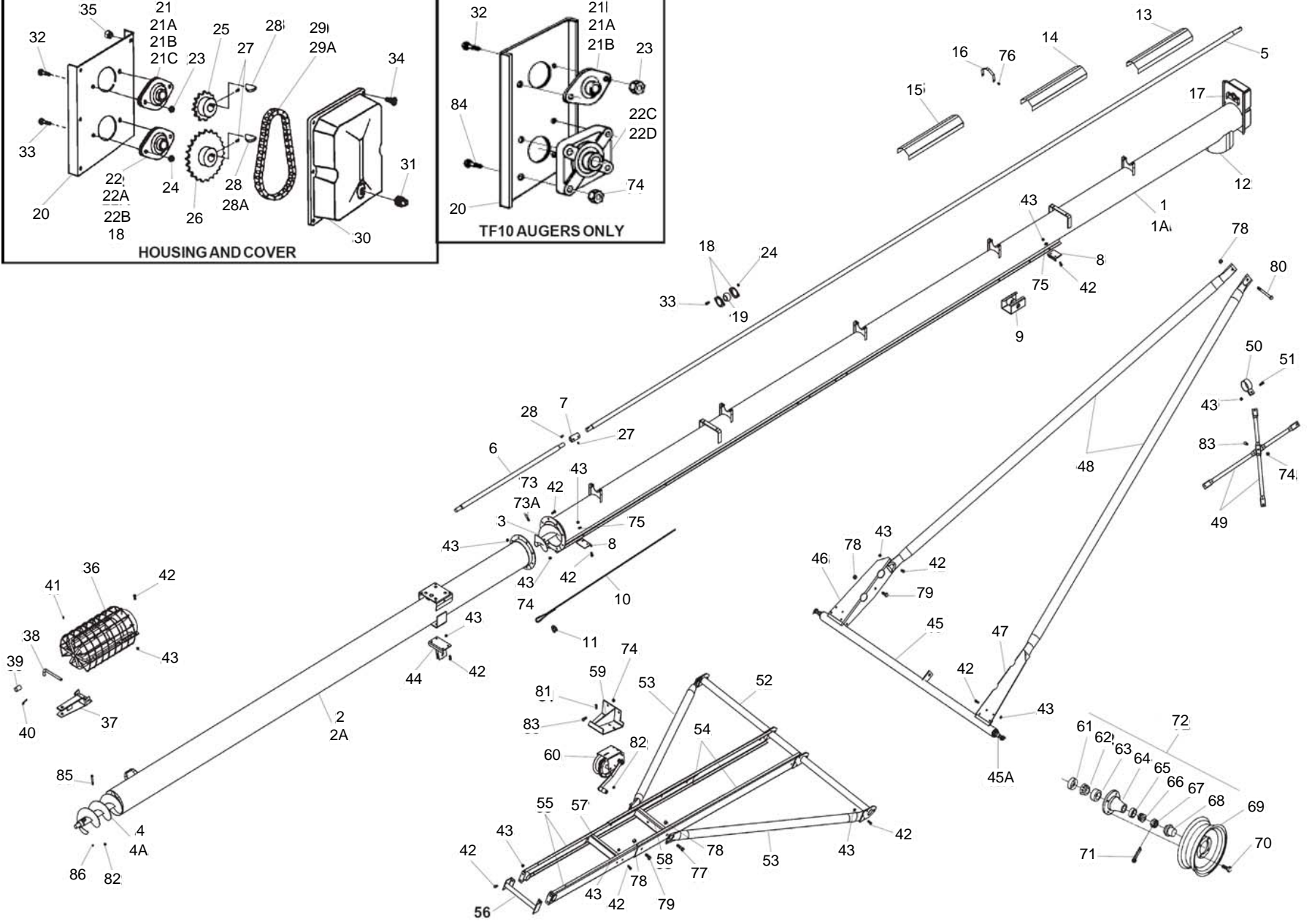
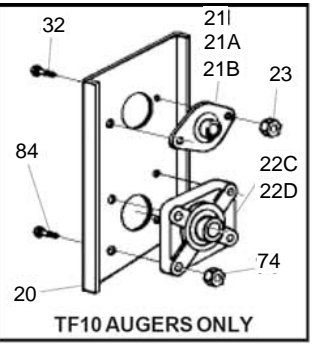
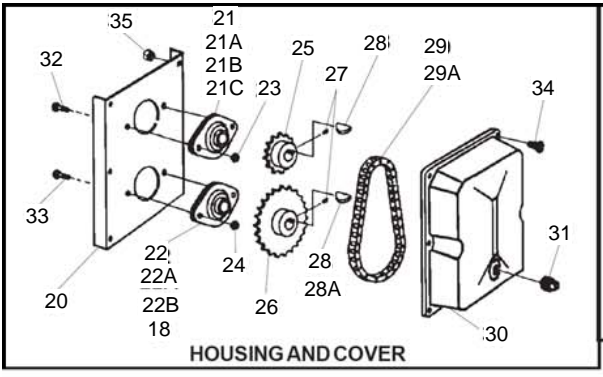
TF80-41 BASIC AUGER

ITEM	PART NO.	DESCRIPTION
42	10-19542	Bolt, 7/16" x 1" GR5
43	10-19598	Locknut, 7/16"
44	10-27862	Cable return
45	10-27847	Axle assembly
45A	10-19263	Weld-on spindle only
46	10-27875	Upright baseplate, LH
47	10-27874	Upright baseplate, RH
48	10-27878	Upper lift arm
49	10-27263	Upper frame cross brace
50	10-19797	3" Frame brace clamps
51	10-18698	Bolt, 7/16" x 1-1/4"
52	10-27841	Long crossmember
53	10-27882	Lower frame tube
54	10-27881	Lower frame channel
55	10-27842	Upper frame channel
56	10-27846	Upper channel spacer
57	10-27843	Top frame cross brace
58	10-27844	Winch mount cross brace
59	10-27861	Winch mount
60	10-19152	Winch and handle
61	10-19264	Seal
62	10-19265	Large bearing, Timken #LM67048
63	10-19266	Large cup, Timken #LM67010
64	10-19267	Hub w/cups
65	10-19268	Small cup, Timken #LM11910
66	10-19269	Small bearing, Timken #LM11949
67	10-19270	Slotted nut, 3/4" - 16
68	10-19272	Dust cap
69	10-19261	15" Wheel, 4 bolt
70	10-19273	1/2" X 1" WHEEL BOLT
71	10-19271	Cotter pin, 1/8" x 1-1/2"
72	10-19467	Hub assembly, complete
73	10-19545	Bolt, 7/16" x 2-1/4" GR8
74	10-19599	Locknut, 1/2"
75	10-17182	Track stop washers
76	10-19274	Self tapping screw, 1/4" - 14 x 5/8"
77	10-19991	Bolt, 5/8" x 2" GR8
78	10-19600	Locknut, 5/8"
79	10-19590	Bolt, 5/8 x 1-1/2" GR8
80	10-19591	Bolt, 5/8" x 6-1/2" GR8
81	10-18955	Bolt, 3/8" x 1" GR5
82	10-17402	Locknut, 3/8"
83	10-19588	Bolt, 1/2" x 1-1/4" GR5
85	10-18699	Bolt, 3/8" x 2-1/2"
86	10-17760	Setscrew, 3/8" x 1/2"
87	10-27924	TF841 Carton
88	10-18675	TF1 - 1 - 4
89	10-29118	SETSCREW, 3/8" X 3/4" GR8 SQ HEAD



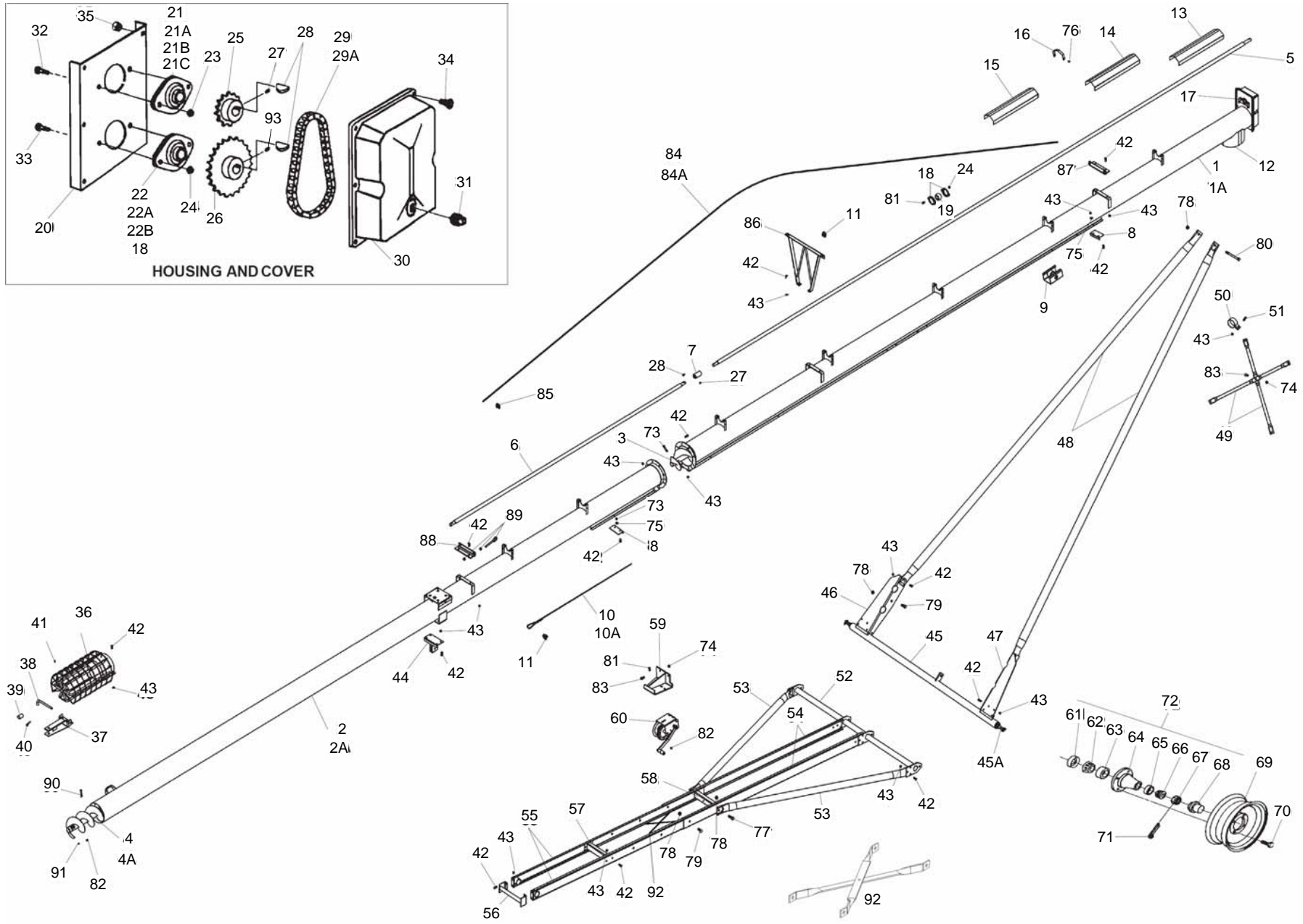
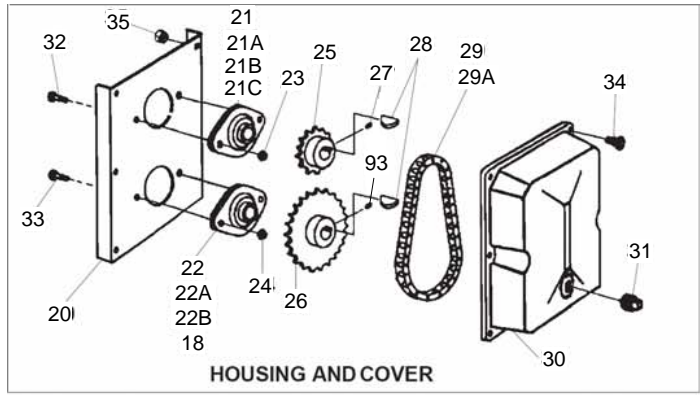
TF100-41 BASIC AUGER

ITEM	PART NO.	DESCRIPTION
1	10-27831	Upper tube section w/driveshaft, housing, track
1A	10-27856	Upper tube bundle, as shipped
2	10-27830	Lower tube section
2A	10-27857	Lower tube bundle, as shipped
3	10-19753	Upper flight section
4	10-19755	Lower flight section (w/ intake flight)
4A	10-17535	Slip on intake flight
5	10-18702	Driveshaft, upper
6	10-27900	Driveshaft, lower
7	10-19119	1" Straight connector
8	10-18762	Track stop
9	10-18763	Roller track shoe
10	10-18824	1/4" Lift cable, 49' long
11	10-19147	1/4" Cable clamp
12	10-17225	Weld-on spout
13	10-19254	42" Driveshaft shield
14	10-19255	48" Driveshaft shield
15	10-18829	60" Driveshaft shield
16	10-19256	Shield tie-down strap
17	10-19257	Shield attach bracket
18	10-18695	1-1/4" Bearing flange, single
19	10-18693	1-1/4" Split hardwood bearing, set of 2 halves
20	10-17226	Upper drive housing
21	10-19321	1" Flangette bearing, 2 bolt
21A	10-18817	1" Bearing, less flange
21B	10-18694	1" Bearing flange, single
21C	10-17167	Gasket for 1" flangette bearing
22C	10-19567	1-1/4" Pillow block bearing
22D	10-18852	1-1/4" Pillow block bearing only
23	10-19595	Whiznut, 5/16"
24	10-19596	Whiznut, 3/8"
25	10-19430	Upper sprocket
26	10-18697	Lower sprocket
27	10-19225	Setscrew, 3/8" - 16 x 3/8"
28	10-19224	Woodruff key, 1/4" x 1"
28A	10-19606	1/4" x 1-1/2" SQ key
29	10-18696	Roller chain w/connector
29A	10-19433	Roller chain connector only
30	10-17160	Oil bath housing cover
31	10-17179	3/8" Oil bath plug
32	10-17749	Bolt, 5/16" - 18 x 3/4"
33	10-18184	Bolt, 3/8" - 16 x 3/4"
34	10-19988	Bolt, 1/4" x 1" GR2
35	10-19594	Whiznut, 1/4"
36	10-19774	Intake hitch w/shield, bushing, grease fitting
37	10-17180	Clevis, less bolt
38	10-17181	5/8" Clevis pin
39	10-19776	Bushing
40	10-17383	Grip clip
41	10-19222	Press-in grease fitting



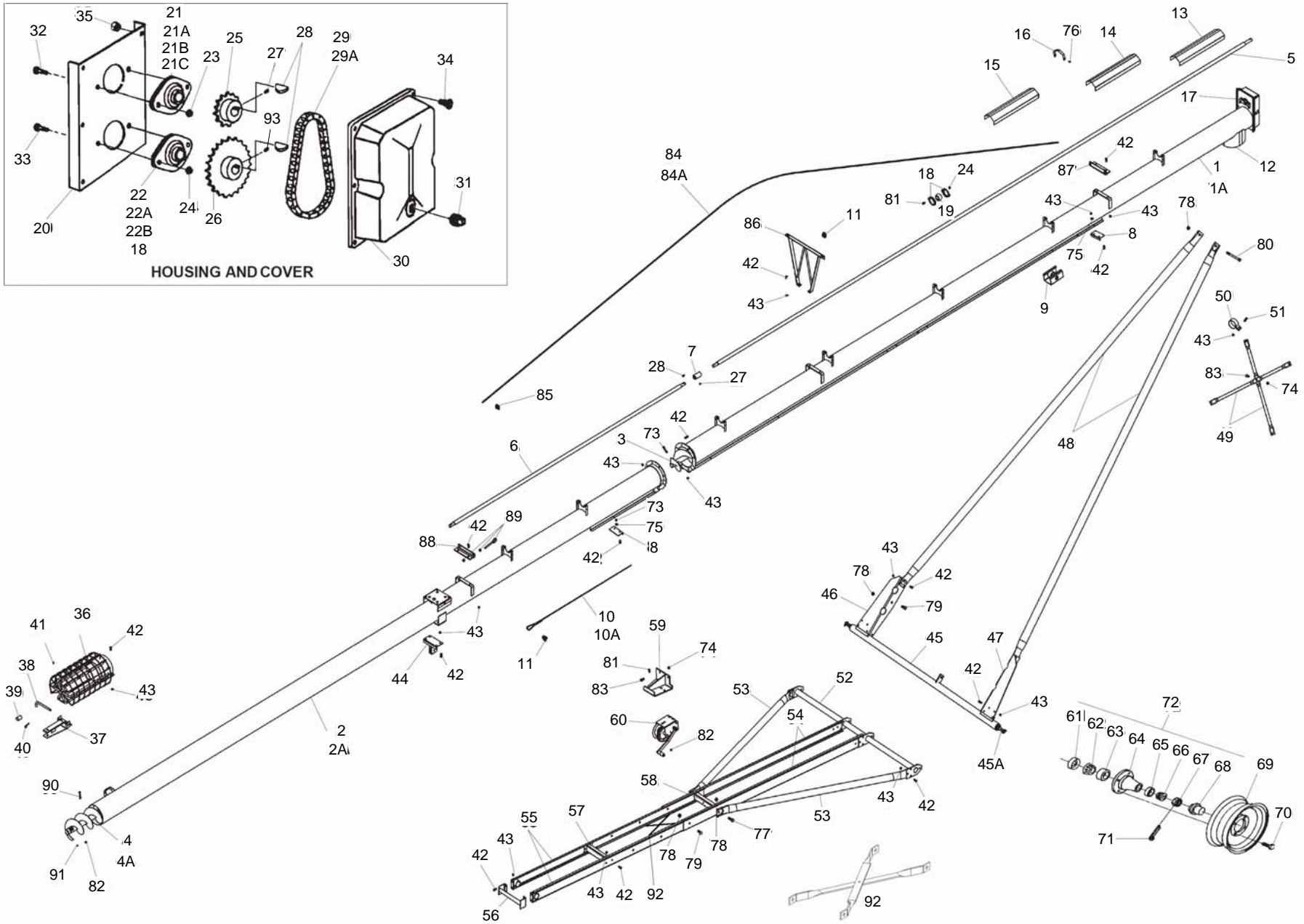
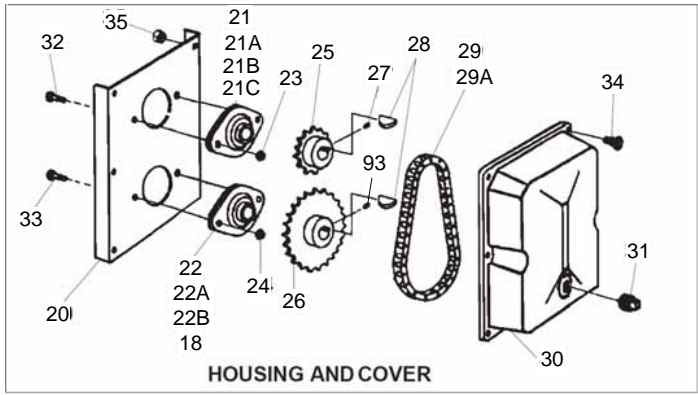
TF100-41 BASIC AUGER

ITEM	PART NO.	DESCRIPTION
42	10-19542	Bolt, 7/16" x 1" GR5
43	10-19598	Locknut, 7/16"
44	10-27862	Cable return
45	10-27847	Axle assembly
45A	10-19263	Weld-on spindle only
46	10-27875	Upright baseplate, LH
47	10-27874	Upright baseplate, RH
48	10-27878	Upper lift arm
49	10-27263	Upper frame cross brace
50	10-19797	3" Frame brace clamps
51	10-18698	Bolt, 7/16" x 1-1/4"
52	10-27841	Long crossmember
53	10-27882	Lower frame tube
54	10-27881	Lower frame channel
55	10-27842	Upper frame channel
56	10-27846	Upper channel spacer
57	10-27843	Top frame cross brace
58	10-27844	Winch mount cross brace
59	10-27861	Winch mount
60	10-19152	Winch and handle
61	10-19264	Seal
62	10-19265	Large bearing, Timken #LM67048
63	10-19266	Large cup, Timken #LM67010
64	10-19267	Hub w/cups
65	10-19268	Small cup, Timken #LM11910
66	10-19269	Small bearing, Timken #LM11949
67	10-19270	Slotted nut, 3/4" - 16
68	10-19272	Dust cap
69	10-19261	15" Wheel, 4 bolt
70	10-19273	1/2" X 1" WHEEL BOLT
71	10-19271	Cotter pin, 1/8" x 1-1/2"
72	10-19467	Hub assembly, complete
73A	10-19798	Bolt, 1/2" x 2-3/4" GR8
74	10-19599	Locknut, 1/2"
75	10-17182	Track stop washers
76	10-19274	Self tapping screw, 1/4" - 14 x 5/8"
77	10-19991	Bolt, 5/8" x 2" GR8
78	10-19600	Locknut, 5/8"
79	10-19590	Bolt, 5/8 x 1-1/2" GR8
80	10-19591	Bolt, 5/8" x 6-1/2" GR8
81	10-18955	Bolt, 3/8" x 1" GR5
82	10-17402	Locknut, 3/8"
83	10-19588	Bolt, 1/2" x 1-1/4" GR5
84	10-17746	Bolt, 1/2" x 1-1/2"
85	10-18699	Bolt, 3/8" x 2-1/2"
86	10-17760	Setscrew, 3/8" x 1/2"
87	10-27929	TF1041 Carton
88	10-18675	TF1 - 1 - 4



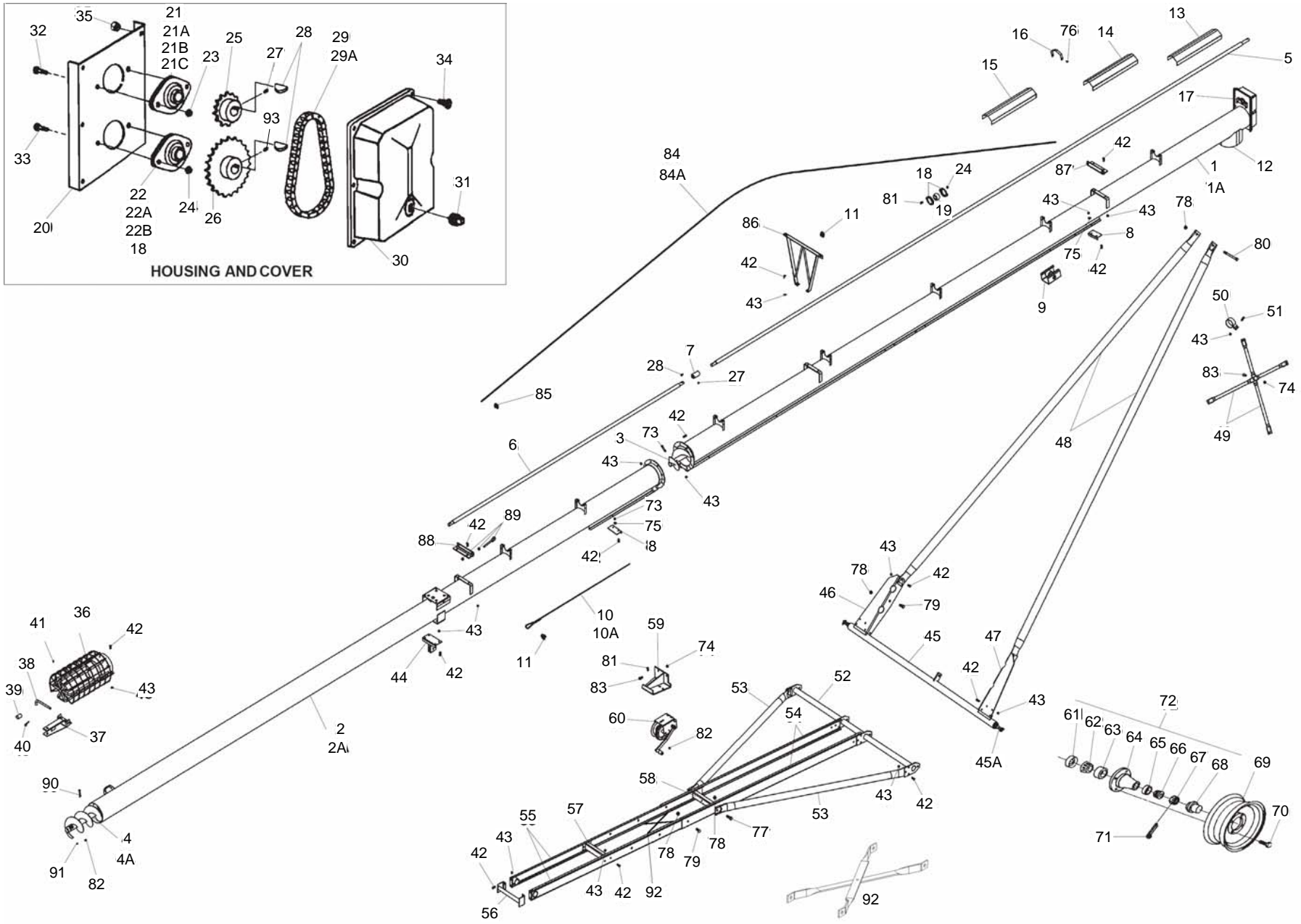
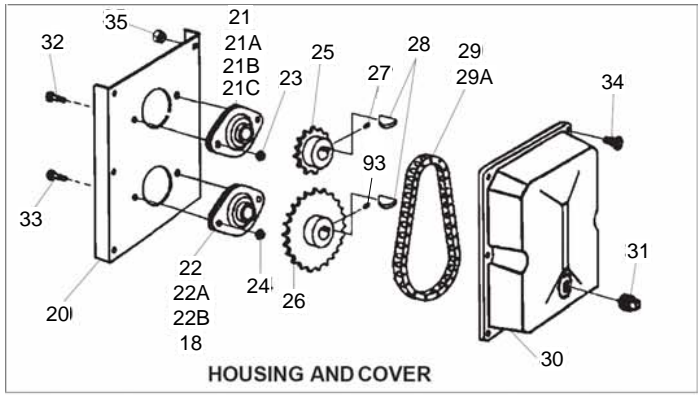
TF80-46 BASIC AUGER

ITEM	PART NO.	DESCRIPTION
1	10-27824	Upper tube section w/driveshaft, housing, track
1A	10-27839	Upper tube bundle, as shipped
2	10-27825	Lower tube section
2A	10-27853	Lower tube bundle, as shipped
3	10-19402	Upper flight section
4	10-19409	Lower flight section (w/ intake flight)
4A	10-17534	Slip on intake flight
5	10-18702	Driveshaft, upper
6	10-27901	Driveshaft, lower
7	10-19119	1" Straight connector
8	10-18762	Track stop
9	10-18763	Roller track shoe
10	10-27963	1/4" Lift cable, 55' long
11	10-19147	1/4" Cable clamp
12	10-17156	Weld-on spout
13	10-19254	42" Driveshaft shield
14	10-19255	48" Driveshaft shield
15	10-18829	60" Driveshaft shield
16	10-19256	Shield tie-down strap
17	10-19257	Shield attach bracket
18	10-18695	1-1/4" Bearing flange, single
19	10-18693	1-1/4" Split hardwood bearing
20	10-17172	Upper drive housing
21	10-19321	1" Flangette bearing, 2 bolt
21A	10-18817	1" Bearing, less flange
21B	10-18694	1" Bearing flange, single
21C	10-17167	Gasket for 1" flangette bearing
22	10-19322	1-1/4" Bearing flange, 2 bolt
22A	10-18853	1-1/4" Bearing, less flange
22B	10-17168	Gasket for 1-1/4" flangette bearing
23	10-19595	Whiznut, 5/16"
24	10-19596	Whiznut, 3/8"
25	10-19430	Upper sprocket
26	10-19431	Lower sprocket
27	10-19225	Setscrew, 3/8" - 16 x 3/8"
28	10-19224	Woodruff key, 1/4" x 1"
29	10-19432	Roller chain w/connector
29A	10-19433	Roller chain connector only
30	10-17158	Oil bath housing cover
31	10-17179	3/8" Oil bath plug
32	10-19538	5/16" X 3/4" NC BOLT GR 2 PLTD
33	10-19540	3/8" X 3/4" NC BOLT GR 5 PLTD
34	10-19988	Bolt, 1/4" x 1" GR2
35	10-19594	Whiznut, 1/4"
36	10-19398	Intake hitch w/shield, bushing, grease fitting
37	10-17123	Clevis, less bolt
38	10-17181	5/8" Clevis pin
39	10-19149	1" Bushing
40	10-17383	Grip clip
41	10-19222	Press-in grease fitting



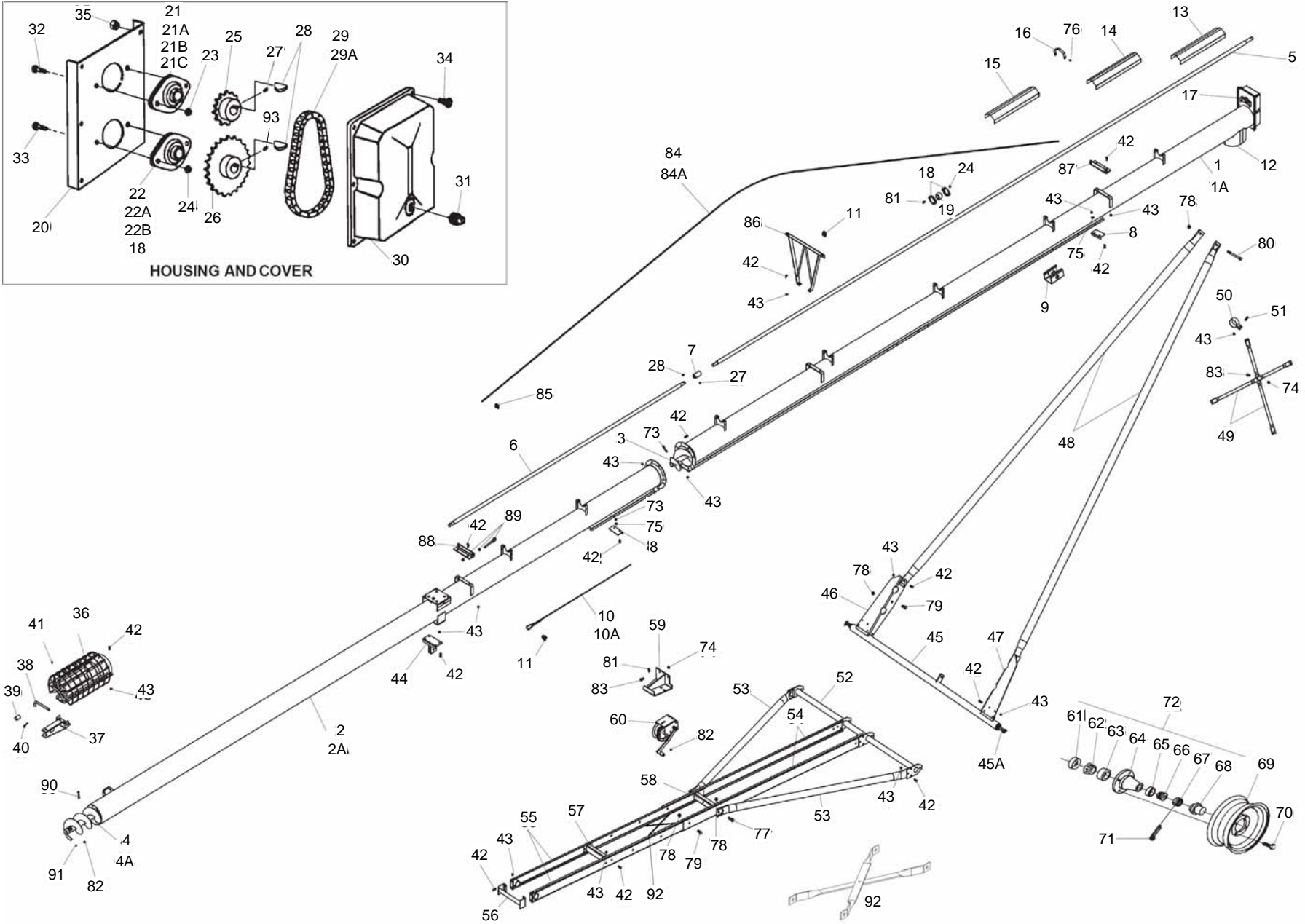
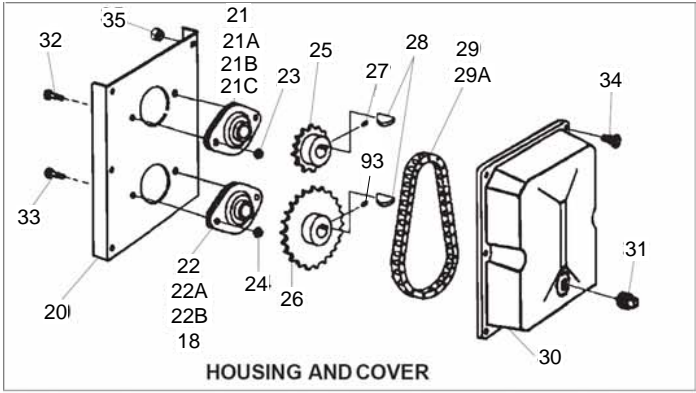
TF80-46 BASIC AUGER

ITEM	PART NO.	DESCRIPTION
42	10-19542	Bolt, 7/16" x 1" GR5
43	10-19598	Locknut, 7/16"
44	10-27862	Cable return
45	10-27847	Axle assembly
45A	10-19263	Weld-on spindle only
46	10-27875	Upright baseplate, LH
47	10-27874	Upright baseplate, RH
48	10-27877	Upper lift arm
49	10-27263	Upper frame cross brace
50	10-19797	3" Frame brace clamps
51	10-18698	Bolt, 7/16" x 1-1/4"
52	10-27841	Long crossmember
53	10-27882	Lower frame tube
54	10-27881	Lower frame channel
55	10-27842	Upper frame channel
56	10-27846	Upper channel spacer
57	10-27843	Top frame cross brace
58	10-27844	Winch mount cross brace
59	10-27861	Winch mount
60	10-19152	Winch and handle
61	10-19264	Seal
62	10-19265	Large bearing, Timken #LM67048
63	10-19266	Large cup, Timken #LM67010
64	10-19267	Hub w/cups
65	10-19268	Small cup, Timken #LM11910
66	10-19269	Small bearing, Timken #LM11949
67	10-19270	Slotted nut, 3/4" - 16
68	10-19272	Dust cap
69	10-19261	15" Wheel, 4 bolt
70	10-19273	1/2" X 1" WHEEL BOLT
71	10-19271	Cotter pin, 1/8" x 1-1/2"
72	10-19467	Hub assembly, complete
73	10-19545	Bolt, 7/16" x 2-1/4" GR8
74	10-19599	Locknut, 1/2"
75	10-17182	Track stop washers
76	10-19274	Self tapping screw, 1/4" - 14 x 5/8"
77	10-19991	Bolt, 5/8" x 2" GR8
78	10-19600	Locknut, 5/8"
79	10-19590	Bolt, 5/8 x 1-1/2" GR8
80	10-19591	Bolt, 5/8" x 6-1/2" GR8
81	10-18955	Bolt, 3/8" x 1" GR5
82	10-17402	Locknut, 3/8"
83	10-19588	Bolt, 1/2" x 1-1/4" GR5
84	10-27965	Truss cable, 5/16" x 46'
85	10-19333	5/16" Cable clamp
86	10-19324	Regular truss bracket
87	10-27863	Truss cable anchor, top
88	10-27960	Truss cable anchor, bottom
89	10-19331	1/2" Eyebolt, w/nuts
90	10-18699	Bolt, 3/8" x 2-1/2"



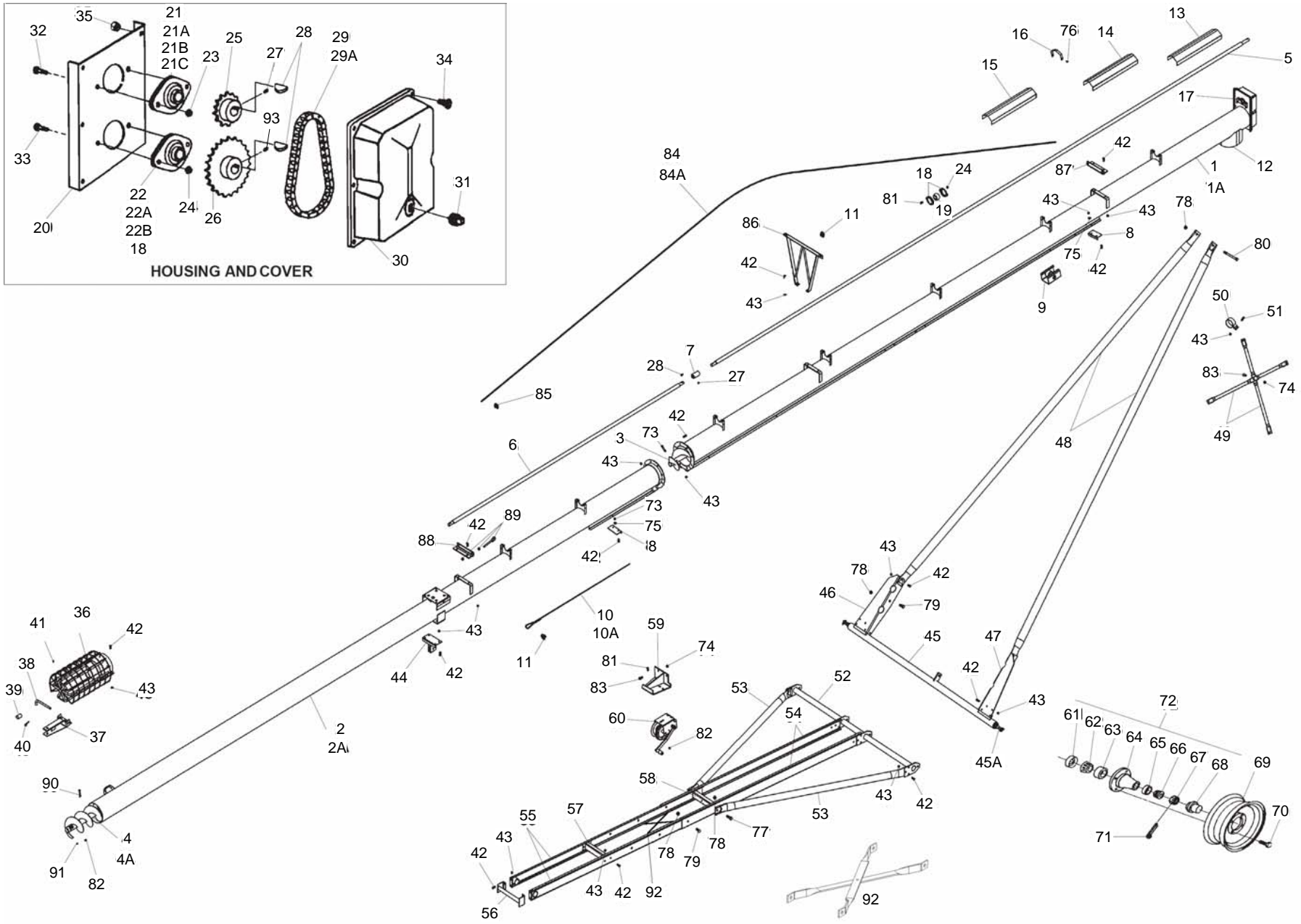
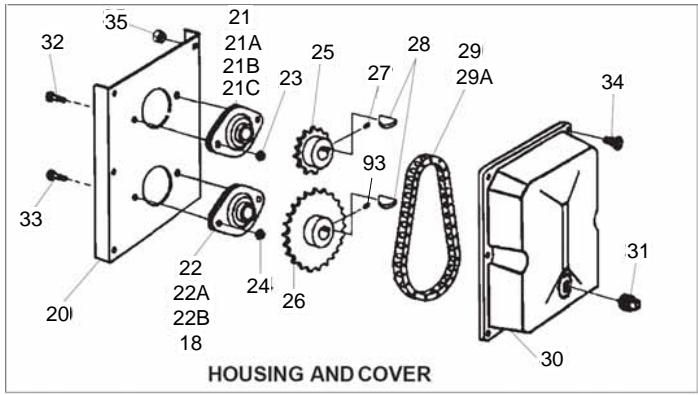
TF80-46 BASIC AUGER

ITEM	PART NO.	DESCRIPTION
91	10-17760	Setscrew, 3/8" x 1/2"
92	10-28422	Crossbrace
93	10-29118	SETSCREW, 3/8" X 3/4" GR8 SQ HEAD



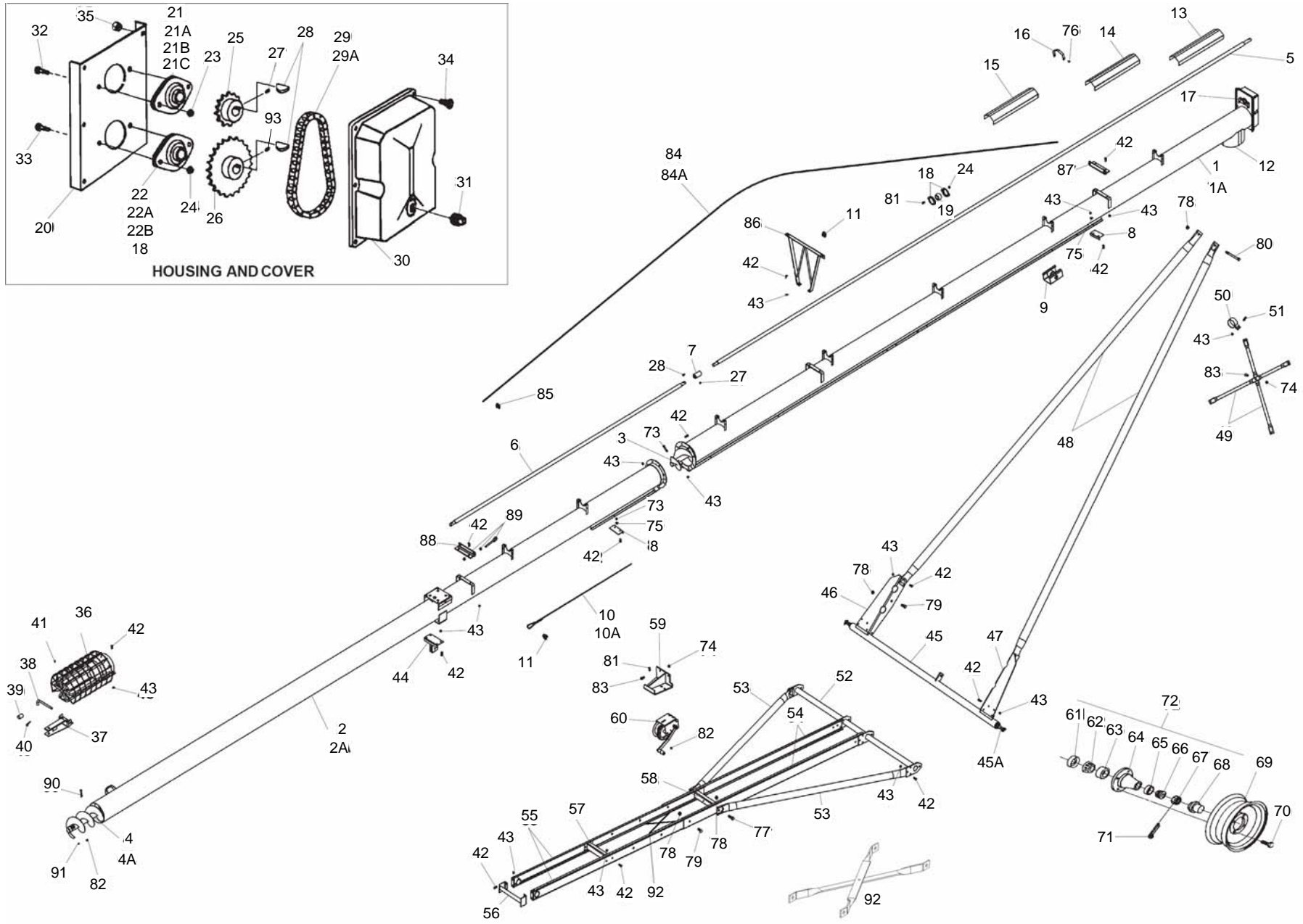
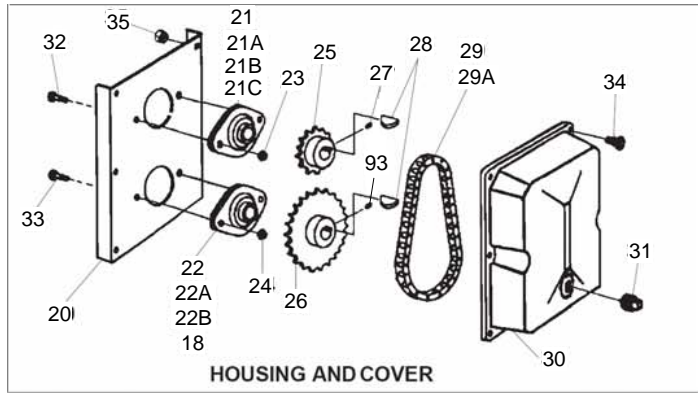
TF80-51 BASIC AUGER

ITEM	PART NO.	DESCRIPTION
1	10-27824	Upper tube section w/driveshaft, housing, track
1A	10-27839	Upper tube bundle, as shipped
2	10-27826	Lower tube section
2A	10-27840	Lower tube bundle, as shipped
3	10-19402	Upper flight section
4	10-19410	Lower flight section (w/ intake flight)
4A	10-17534	Slip on intake flight
5	10-18702	Driveshaft, upper
6	10-27902	Driveshaft, lower
7	10-19119	1" Straight connector
8	10-18762	Track stop
9	10-18763	Roller track shoe
10A	10-27964	1/4" Lift cable, 61'6" long
11	10-19147	1/4" Cable clamp
12	10-17156	Weld-on spout
14	10-19255	48" Driveshaft shield
15	10-18829	60" Driveshaft shield
16	10-19256	Shield tie-down strap
17	10-19257	Shield attach bracket
18	10-18695	1-1/4" Bearing flange, single
19	10-18693	1-1/4" Split hardwood bearing
20	10-17172	Upper drive housing
21	10-19321	1" Flangette bearing, 2 bolt
21A	10-18817	1" Bearing, less flange
21B	10-18694	1" Bearing flange, single
21C	10-17167	Gasket for 1" flangette bearing
22	10-19322	1-1/4" Bearing flange, 2 bolt
22A	10-18853	1-1/4" Bearing, less flange
22B	10-17168	Gasket for 1-1/4" flangette bearing
23	10-19595	Whiznut, 5/16"
24	10-19596	Whiznut, 3/8"
25	10-19430	Upper sprocket
26	10-19431	Lower sprocket
27	10-19225	Setscrew, 3/8" - 16 x 3/8"
28	10-19224	Woodruff key, 1/4" x 1"
29	10-19432	Roller chain w/connector
29A	10-19433	Roller chain connector only
30	10-17158	Oil bath housing cover
31	10-17179	3/8" Oil bath plug
32	10-19538	5/16" X 3/4" NC BOLT GR 2 PLTD
33	10-19540	3/8" X 3/4" NC BOLT GR 5 PLTD
34	10-19988	Bolt, 1/4" x 1" GR2
35	10-19594	Whiznut, 1/4"
36	10-19398	Intake hitch w/shield, bushing, grease fitting
37	10-17123	Clevis, less bolt
38	10-17181	5/8" Clevis pin
39	10-19149	1" Bushing
40	10-17383	Grip clip
41	10-19222	Press-in grease fitting
42	10-19542	Bolt, 7/16" x 1" GR5



TF80-51 BASIC AUGER

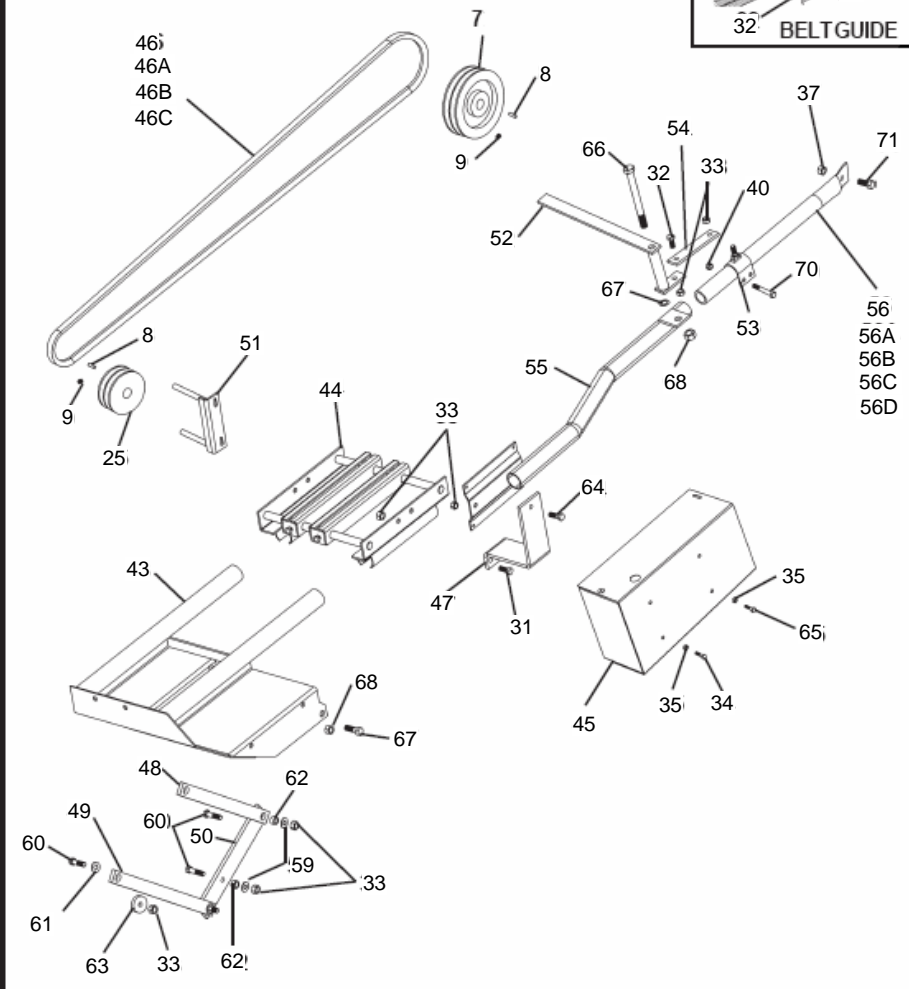
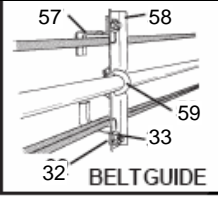
ITEM	PART NO.	DESCRIPTION
43	10-19598	Locknut, 7/16"
44	10-27862	Cable return
45	10-27847	Axle assembly
45A	10-19263	Weld-on spindle only
46	10-27875	Upright baseplate, LH
47	10-27874	Upright baseplate, RH
48	10-27876	Upper lift arm
49	10-27263	Upper frame cross brace
50	10-19797	3" Frame brace clamps
51	10-18698	Bolt, 7/16" x 1-1/4"
52	10-27841	Long crossmember
53	10-27882	Lower frame tube
54	10-27881	Lower frame channel
55	10-27842	Upper frame channel
56	10-27846	Upper channel spacer
57	10-27843	Top frame cross brace
58	10-27844	Winch mount cross brace
59	10-27861	Winch mount
60	10-19152	Winch and handle
61	10-19264	Seal
62	10-19265	Large bearing, Timken #LM67048
63	10-19266	Large cup, Timken #LM67010
64	10-19267	Hub w/cups
65	10-19268	Small cup, Timken #LM11910
66	10-19269	Small bearing, Timken #LM11949
67	10-19270	Slotted nut, 3/4" - 16
68	10-19272	Dust cap
69	10-19261	15" Wheel, 4 bolt
70	10-19273	1/2" X 1" WHEEL BOLT
71	10-19271	Cotter pin, 1/8" x 1-1/2"
72	10-19467	Hub assembly, complete
73	10-19545	Bolt, 7/16" x 2-1/4" GR8
74	10-19599	Locknut, 1/2"
75	10-17182	Track stop washers
76	10-19274	Self tapping screw, 1/4" - 14 x 5/8"
77	10-19991	Bolt, 5/8" x 2" GR8
78	10-19600	Locknut, 5/8"
79	10-19590	Bolt, 5/8 x 1-1/2" GR8
80	10-19591	Bolt, 5/8" x 6-1/2" GR8
81	10-18955	Bolt, 3/8" x 1" GR5
82	10-17402	Locknut, 3/8"
83	10-19588	Bolt, 1/2" x 1-1/4" GR5
84A	10-18042	Truss cable, 5/16" x 55'6"
85	10-19333	5/16" Cable clamp
86	10-19324	Regular truss bracket
87	10-27863	Truss cable anchor, top
88	10-27960	Truss cable anchor, bottom
89	10-19331	1/2" Eyebolt, w/nuts
90	10-18699	Bolt, 3/8" x 2-1/2"
91	10-17760	Setscrew, 3/8" x 1/2"



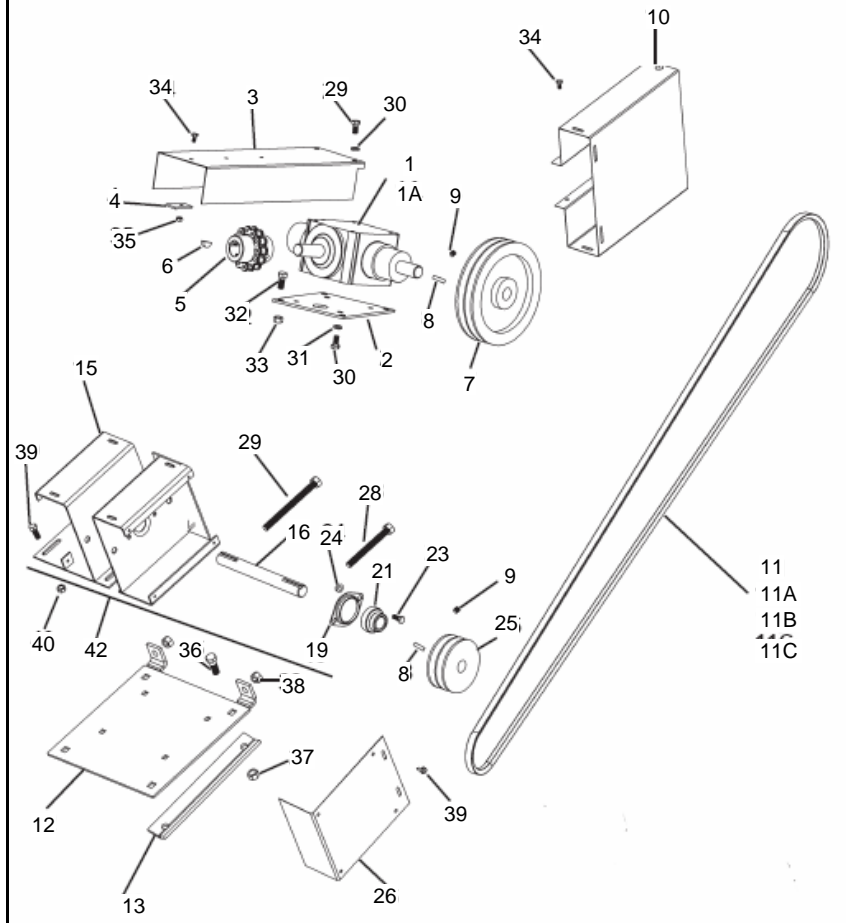
TF80-51 BASIC AUGER

ITEM	PART NO.	DESCRIPTION
92	10-28423	Crossbrace
93	10-29118	SETSCREW, 3/8" X 3/4" GR8 SQ HEAD

UPPER BELT-GAS DRIVE COMPONENTS



GAS DRIVE KIT

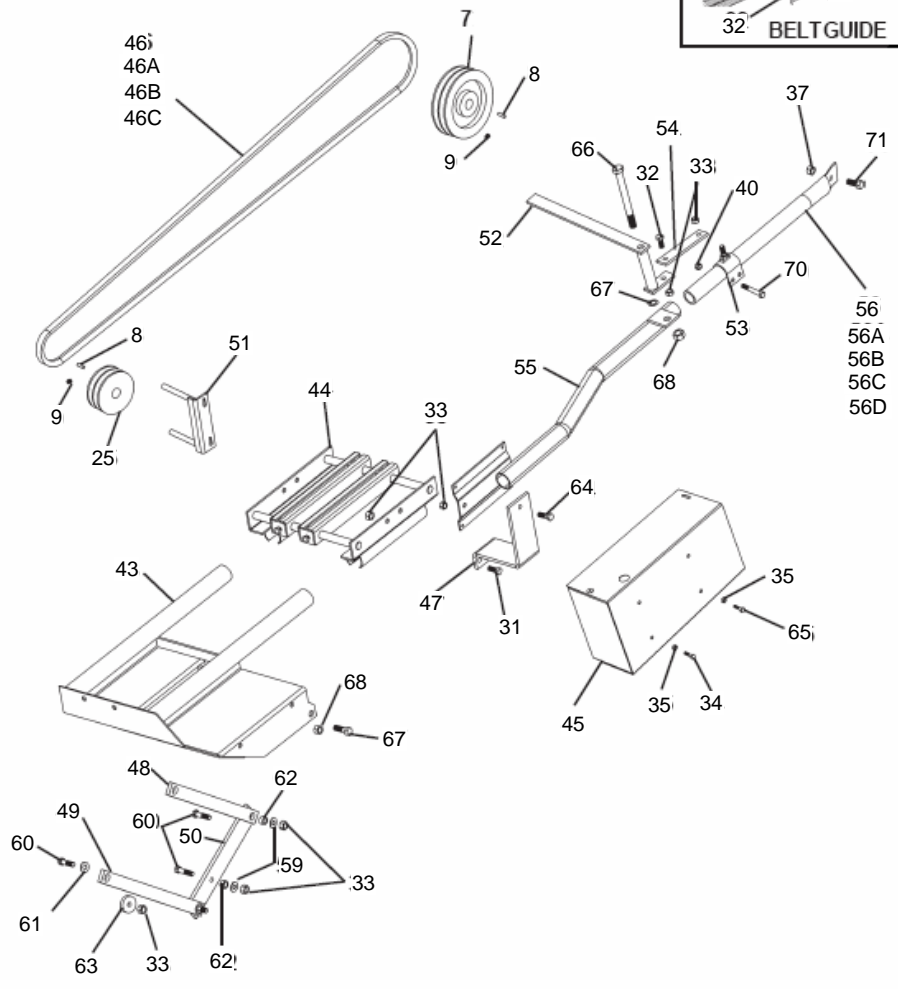
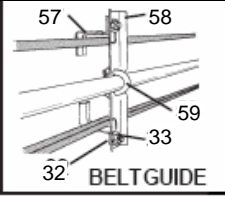


UPPER BELT DRIVE

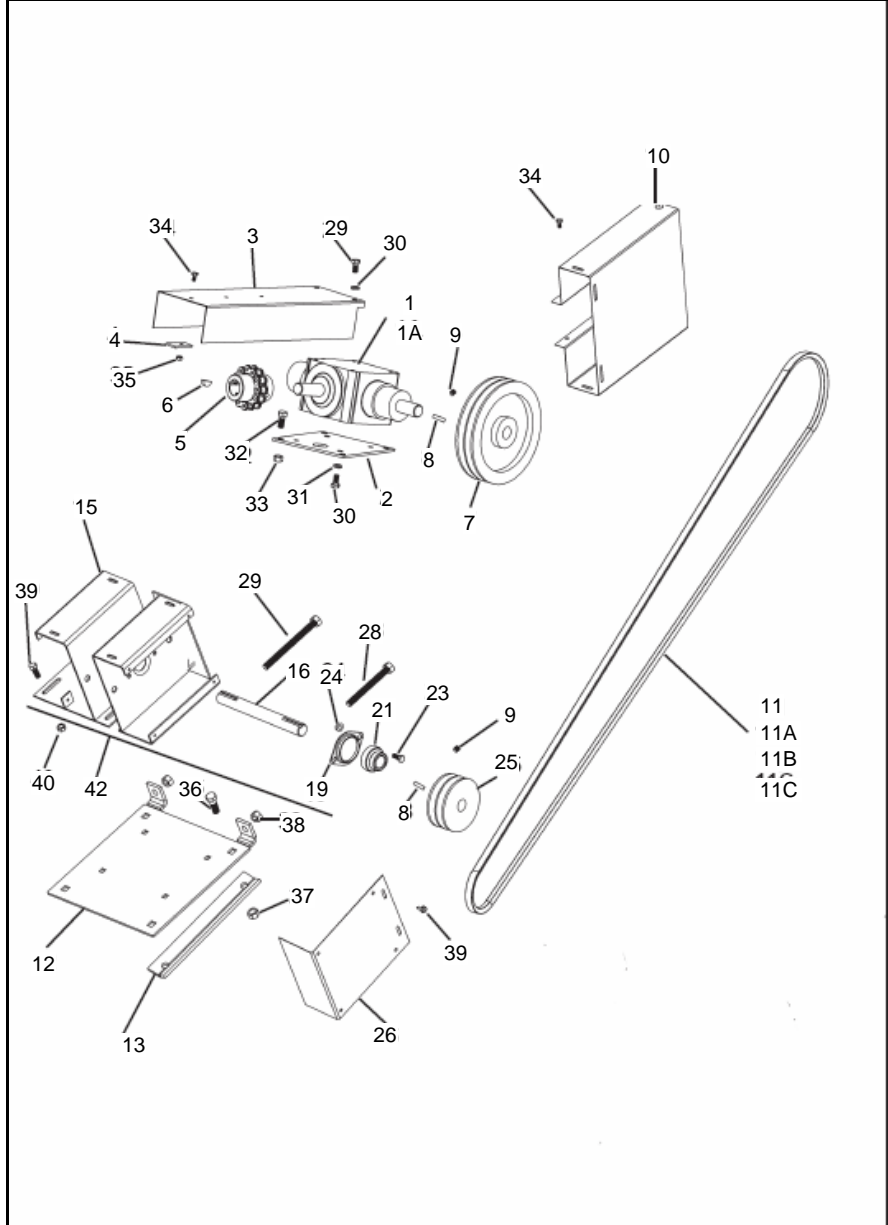
UPPER BELT-GAS DRIVE COMPONENTS

ITEM	PART NO.	DESCRIPTION
1	10-28358	TF Gearbox Assembly, as shipped
1A	10-19473	Gearbox
2	10-19633	Gearbox mounting plate
3	10-19626	Connector shield
4	10-19627	DSG attach plate
5	10-17592	Flex coupler
6	10-19224	Woodruff key, 1/4" x 1"
7	10-19475	8" Double pulley (for all drives)
8	10-19606	1/4" x 1-1/2" SQ key
9	10-19225	Setscrew, 3/8" - 16 x 3/8"
10	10-27866	Gearbox pulley guard
11	10-27281	Belt B124, 8"/10" x 31' only
11A	10-27951	Belt B132, 8"/10" x 36' only
11B	10-27956	Belt B166, 8"/10" x 41', 8" x 46', only
11C	10-27953	Belt B160, 8" x 51' only
12	10-27845	Jackshaft main plate
13	10-27890	Jackshaft clamps
15	10-28309	1-1/4" - Jackshaft base
16	10-28424	1-1/4" - Jackshaft shaft
19	10-18695	1-1/4" Bearing flange, single
21	10-28425	1-1/8" Bearing, less flanges
23	10-17749	Bolt, 5/16" x 3/4"
24	10-19595	Whiznut. 5/16"
25	A110	4" Double pulley (for all drives)
26	10-27918	Jackshaft pulley guard
28	10-27914	Jackshaft Tensioner bolt, 1/2" x 5"
29	10-19937	Adjust bolt, 1/2" x 9"
30	10-19540	Bolt, 3/8" x 3/4"
31	10-19604	Lockwasher, 3/8"
32	10-19542	Bolt, 7/16" x 1"
33	10-19598	Locknut, 7/16"
34	10-19537	Bolt, 1/4" x 1/2"
35	10-19594	Whiznut, 1/4"
36	10-19589	Bolt, 1/2" x 1-1/2"
37	10-19599	Locknut, 1/2"
38	10-19602	Hex nut, 1/2"
39	10-19274	Self tapping screw, #14 x 5/8" w/Washerhead
40	10-17402	Locknut, 3/8"
41	10-18955	bolt, 3/8" x 1"
42	10-14982	TF Jackshaft pulley assembly, as shipped
43	10-27858	Motor mount Base
44	10-27859	Motor mount slider
45	10-27867	Motor pulley guard
46	10-27954	"Belt B114, 8"/10" x 31' only" (Before 2007)
46	10-27958	Belt B120, 8"/10" x 31' only
46A	10-27951	"Belt B132, 8"/10" x 36' only" (Before 2007)
46A	10-27952	Belt B138, 8"/10" x 36', 8"/10" x 41' only
46B	10-27956	Belt B166, 8" x 46' only
46C	10-18688	Belt B195, 8" x 51' only
47	10-27892	Push bar bracket

UPPER BELT-GAS DRIVE COMPONENTS



GAS DRIVE KIT



UPPER BELT DRIVE

UPPER BELT-GAS DRIVE COMPONENTS

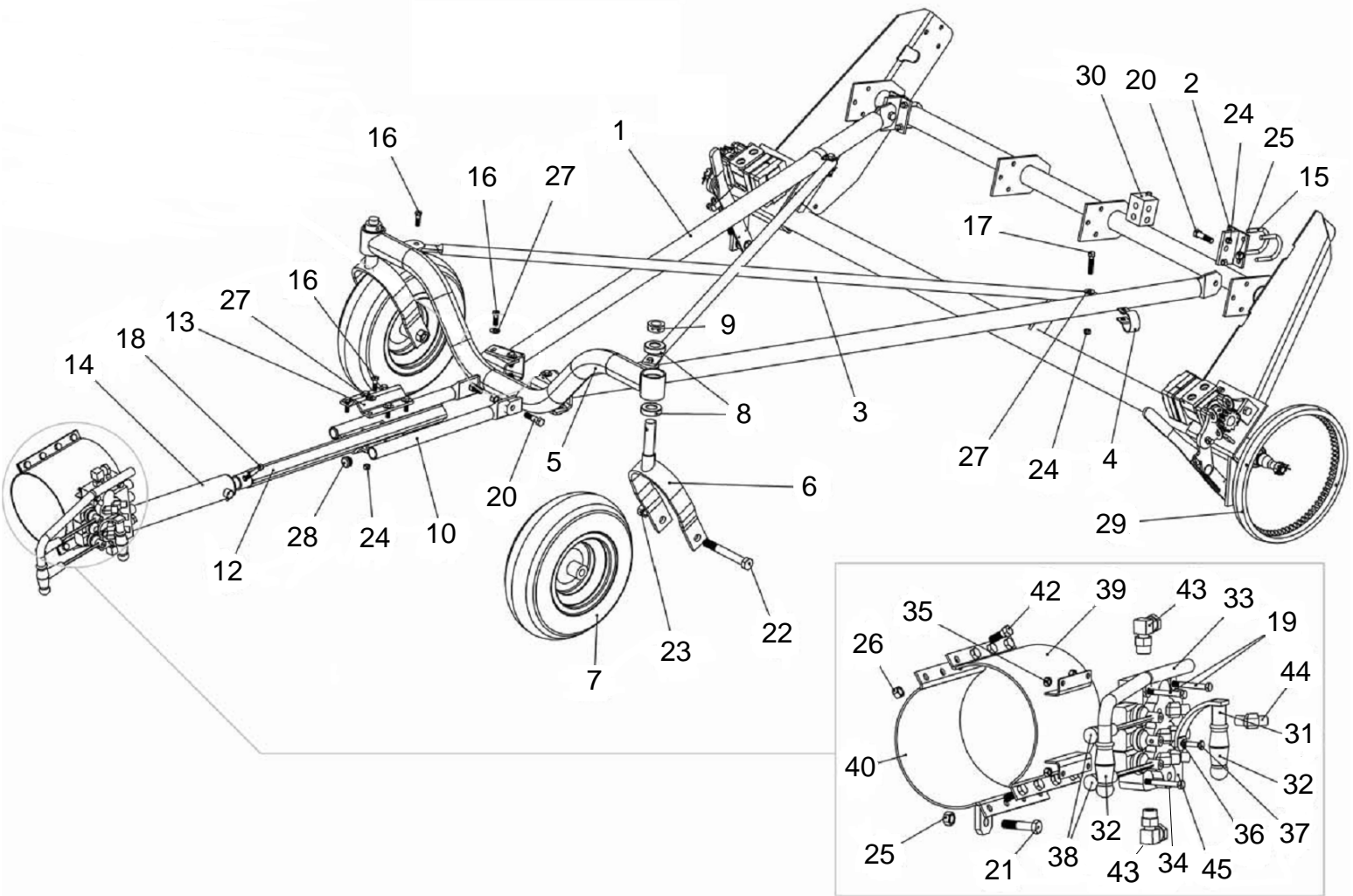
ITEM	PART NO.	DESCRIPTION
48	10-27885	Leveller channel bar
49	10-27886	Leveller motor bar
50	10-27887	Leveller connector bar
51	10-27869	Motor guard belt separator
52	10-27870	Tensioner handle
53	10-27871	Tensioner U-bracket
54	10-27898	Tensioner connector bar
55	10-27868	Tensioner tube
56	10-27897	TF 31 Push bar
56A	10-27896	TF 36 Push bar
56B	10-27895	TF 41 Push bar
56C	10-27894	TF 46 Push bar
56D	10-27893	TF 51 Push bar
57	10-19639	Belt guide
58	10-18818	belt guide support
59	10-18845	U-Bolt, 3/8" x 1-1/2"
60	10-19981	Bolt, 7/16" x 1-3/4"
61	10-17182	Washer, 7/16" Flat
62	10-27889	TF Leveller bushing
63	10-27888	TF Leveller shim
64	10-18698	Bolt, 7/16" x 1-1/4"
65	10-19988	Bolt, 1/4" x 1"
66	10-19591	Bolt, 5/8" x 6-1/2"
67	10-18096	Rim washer, 5/8"
68	10-19600	Locknut, 5/8"
69	10-19590	Bolt, 5/8" x 1-1/2"
70	10-18699	Bolt, 3/8" x 2-1/2"
71	10-19588	Bolt, 1/2" x 1-1/4"

EMD-PTO DRIVE COMPONENTS

ITEM	PART NO.	DESCRIPTION
1	10-27906	EMD mount
2	10-27907	EMD pulley guard
3	10-27908	EMD guard mount bracket
4	10-19213	Belt B105, 8"/10" x 31' only
4A	10-27281	Belt B124, 8"/10" x 36', 8"/10" x 41' only
4A	10-27281	Belt B124, 8"/10" x 36' only
4B	10-27955	Belt B128, 8"/10" x 41' only
4B	10-27959	Belt B153, 8" x 46' only
4C	10-19477	Belt B180, 8" x 51' only
5	A110	4" Double pulley (for all drives)
6	10-19606	1/4" x 1-1/2" SQ key
7	10-19225	Setscrew, 3/8" - 16 x 3/8"
8	10-19590	Bolt, 5/8" x 1-1/2"
9	10-19600	Locknut, 5/8"
10	10-27914	Tensioner bolt
11	10-19542	Bolt, 7/16" x 1"
12	10-19598	Locknut, 7/16"
13	10-19537	Bolt, 1/4" x 1/2"
14	10-19594	Whiznut, 1/4"
15	10-27911	PTO mount
16	10-27909	PTO drive assembly
16A	10-27910	PTO drive only
16B	10-27912	PTO shaft only
17	10-19646	Jackshaft attach bracket
18	10-27916	PTO mount bracket
19	10-17229	RUBBER BELT
20	10-17230	Rubber mount strap
21	10-17231	PTO guard - small (with rubber pieces and hardware)
22	10-18533	15" Double pulley
23	10-27913	PTO pulley guard
24	10-19212	Belt B100, 8"/10" x 31' only
24A	10-27958	Belt B120, 8"/10" x 36', 8"/10" x 41' only
24A	10-27958	"Belt B120, 8"/10" x 36' only" (Before 2007)
24B	10-27281	"Belt B124, 8"/10" x 41' only" (Before 2007)
24B	10-28314	Belt B148, 8" x 46' only
24C	10-19477	Belt B180, 8" x 51' only
24C	10-27959	"Belt B153, 8"/10" x 46' only" (Before 2007)
25	10-27915	PTO cradle
26	10-27917	PTO cradle backplate
27	10-19648	Saddle pin less hairpin
28	10-19463	Hairpin
29	10-18694	1" Bearing flange, single
30	10-18817	1" Bearing, less flanges
31	10-19520	PTO shaft
32	10-17749	Bolt, 5/16" x 3/4"
33	10-19595	Whiznut, 5/16"
34	10-19588	Bolt, 1/2" x 1-1/4"
35	10-19599	Locknut, 1/2"
36	10-19610	U-Bolt, 3/8" x 2-1/2"
37	10-17402	Locknut, 3/8"

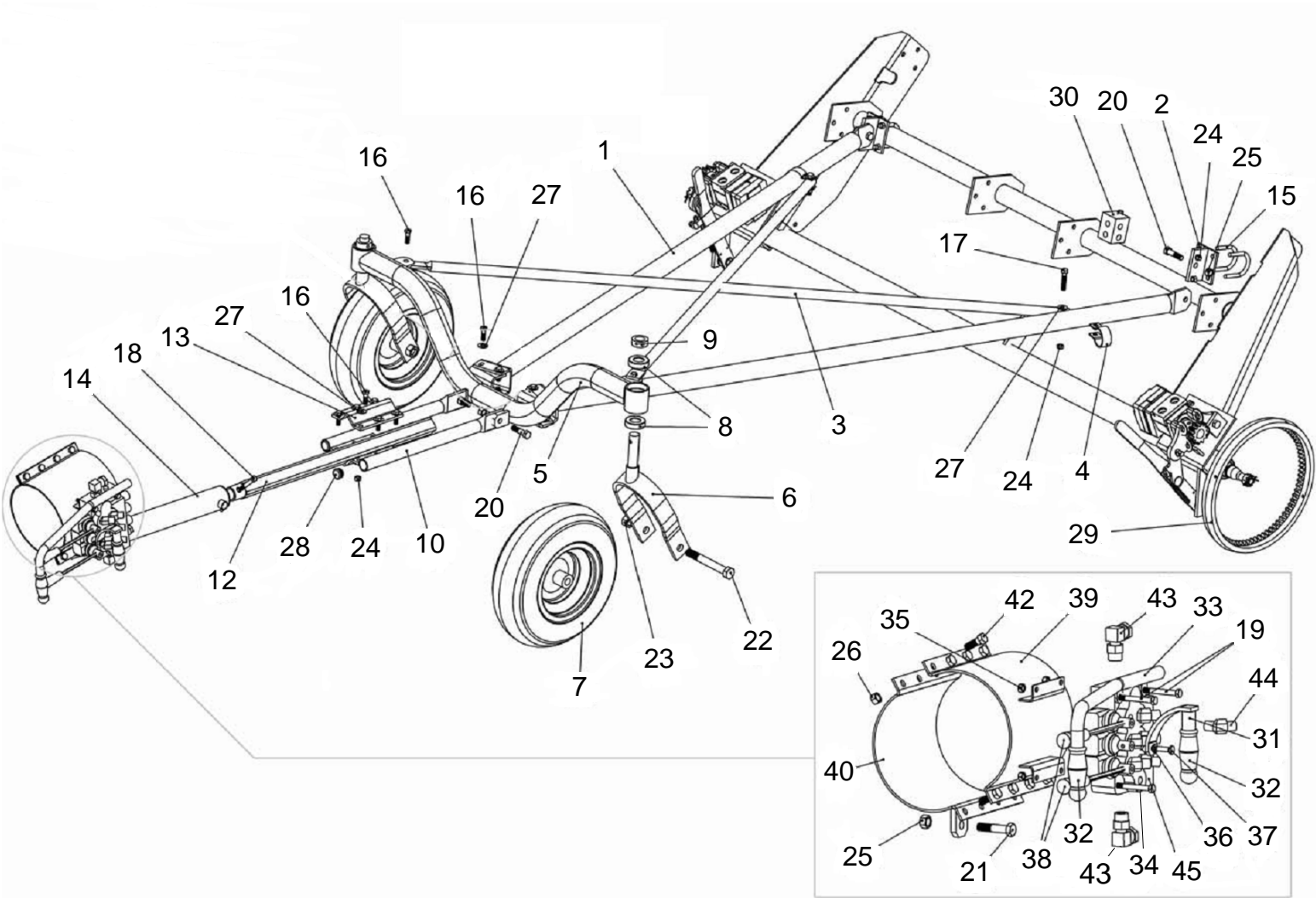
EMD-PTO DRIVE COMPONENTS

ITEM	PART NO.	DESCRIPTION
38	10-19274	Self tapping screw, #14 x 5/8" w/Washerhead
39	10-19231	Bolt, 1/2" x 1"
40	10-19547	Bolt, 7/16" x 3-1/2"
41	10-18699	Bolt, 3/8" x 2-1/2"
42	10-19538	Bolt, 5/16" x 3/4"



TFX SP KIT FRAME COMPONENTS (2011 MODEL)

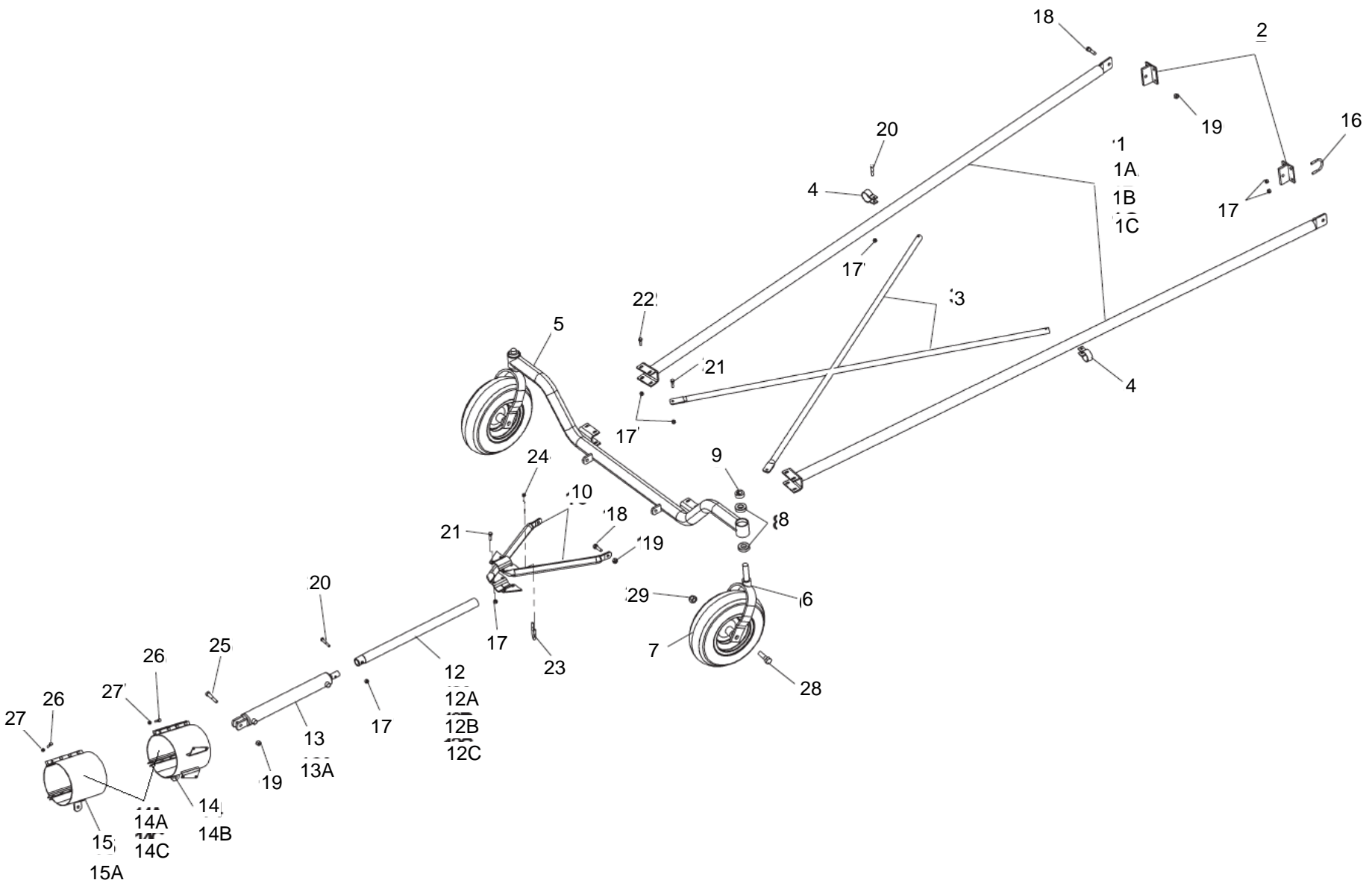
ITEM	PART NO.	DESCRIPTION
1	10-28195	TRANSPORT FRAME PIPE, 76" (8/10-31')
1B	10-28196	TRANSPORT FRAME PIPE, 101" (8/10-36'/41')
1C	10-28197	TRANSPORT FRAME PIPE, 120" (8-46')
1D	10-28198	TRANSPORT FRAME PIPE, 144" (8-51')
2	10-27942	WHEEL MOVE BRACKET
3	10-28199	CROSS BRACE PIPE
4	10-28174	CROSS BRACE, CLAMPBAND
5	0200322	WHEEL V FRAME ASSY, NARROW, W/ BRGS
6	10-28168	WHEEL YOKE W/ COLLAR
7	10-28169	WHEEL AND TIRE
8	10-28176	1" ID BALL BEARING
9	10-28177	1" COLLAR
10	0200323	ASSEMBLY, NARROW RAM MOUNTING A-FRAME
12	0200306-15	RAM EXTENSION PIPE, 15" (8/10-31')
12A	0200306-21	RAM EXTENSION PIPE, 21" (8/10-36')
12B	0200306-38	RAM EXTENSION PIPE, 38" (8-41'/46', 10-41')
12C	10-28178	RAM EXTENSION PIPE, 45" (8-51')
13	0202065-2	RAM MNT A-FRAME CLAMP
14	10-28179	HYD CYLINDER (SP KIT)
15	10-19609	U-BOLT, 3/8" x 2"
16	10-19975	BOLT, 3/8" x 1 1/4" GR5 PLTD
17	10-28745	BOLT, 3/8" x 2-1/4" GR5 PLTD
18	10-18699	BOLT, 3/8" x 2 1/2" GR5 PLTD
19	2300022	BOLT, 5/16" X 3" GR5 PLTD
20	10-27816	BOLT, 1/2" x 2" GR5 PLTD
21	9900560	BOLT, 1/2" x 2-1/4" GR5 PLTD
22	10-19593	BOLT, 3/4" x 6-1/2" GR8 PLTD
23	10-19601	NYLON LOCKNUT, 3/4" PLTD
24	10-17402	NYLON LOCKNUT, 3/8" PLTD
25	10-19599	LOCKNUT, 1/2" PLTD
26	10-19598	NYLON LOCKNUT, 7/16" PLTD
27	10-17392	FLAT WASHER, 3/8"
28	9900339	1" ROUND POLY PLUG
29	10-28175	RING GEAR W/ SET SCREWS
30	0200350	CUSHION BLOCK, COMPLETE
31	10-28219	CONTROL HANDLE W/ GRIP
32	0200007-4	HANDLE GRIP
33	10-28218	BAR HANDLE W/ GRIP
34	10-17631	BOLT, 5/16" x 2-1/2" GR2 PLTD
35	10-19980	NYLON LOCKNUT, 5/16" PLTD
36	10-19603	LOCKWASHER, 5/16"
37	9900852	BOLT HEX M8 x 1.25" GR8.8 PLT
38	1600007	CONTROL LEVER, SD5 VALVE
39A	0200301F	8" HALF CLAMP, VALVE MOUNT, (8")
39B	0200301G	10" HALF CLAMP, VALVE MOUNT, (10")
40A	0200301H	8" HALF CLAMP RAM MOUNT (8")
40B	0200301J	10" HALF CLAMP RAM MOUNT (10")
41A	10-27454	8" HITCH RING (8-41'/46'/51') (NOT SHOWN)
41B	10-27235	10" HITCH RING (10-41') (NOT SHOWN)
42	10-19542	BOLT, 7/16" x 1" GR5 PLTD



TFX SP KIT FRAME COMPONENTS (2011 MODEL)

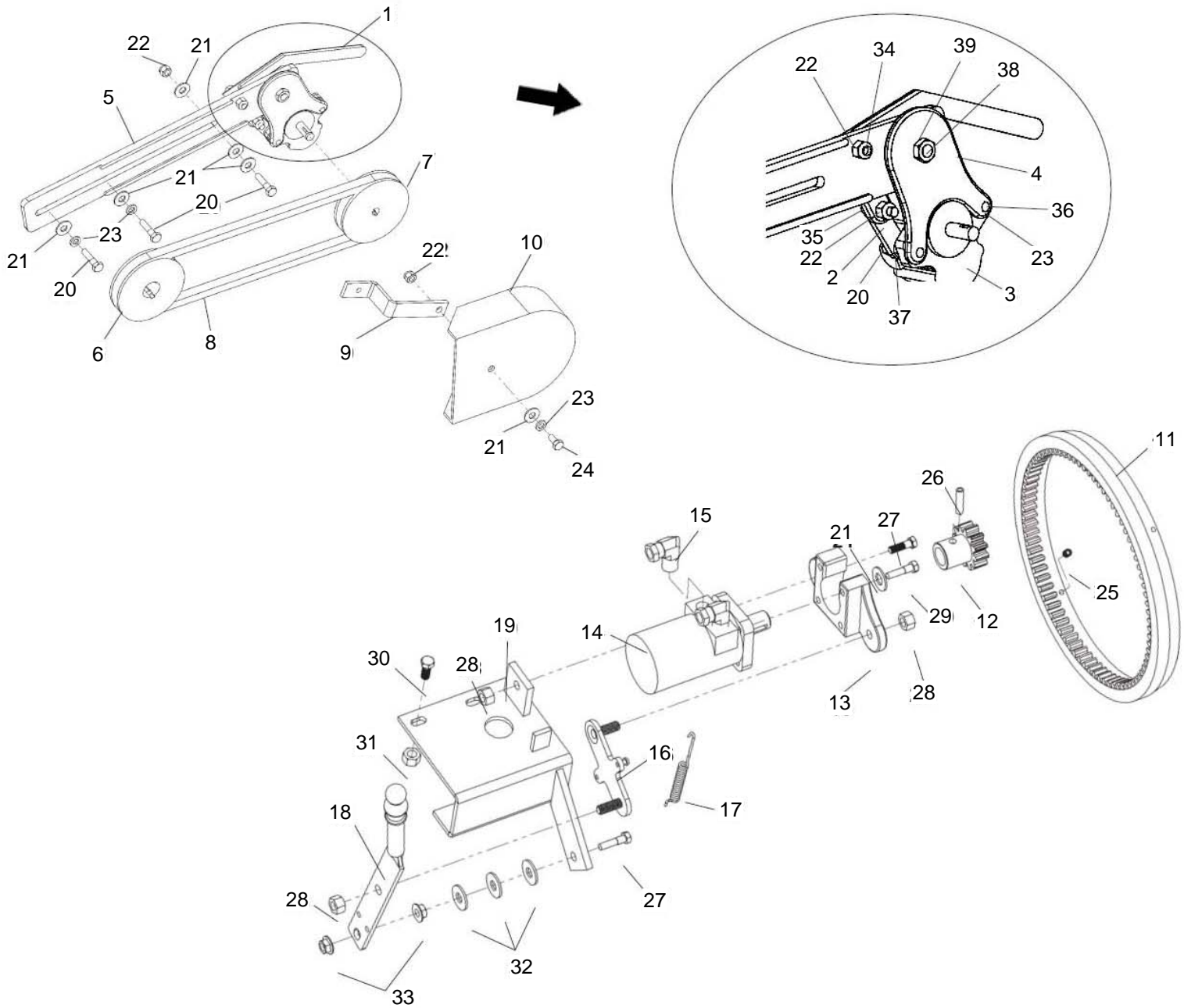
ITEM	PART NO.	DESCRIPTION
43	10-28184	FTG ELB, 1/2" MNPT TO 3/8" FSW
44	10-28504	FTG ELB 45°, 6MORB x 6MJIC
45	10-28505	3 SPOOL VALVE, (ONLY)

SP KIT FRAME COMPONENTS



SP KIT FRAME COMPONENTS

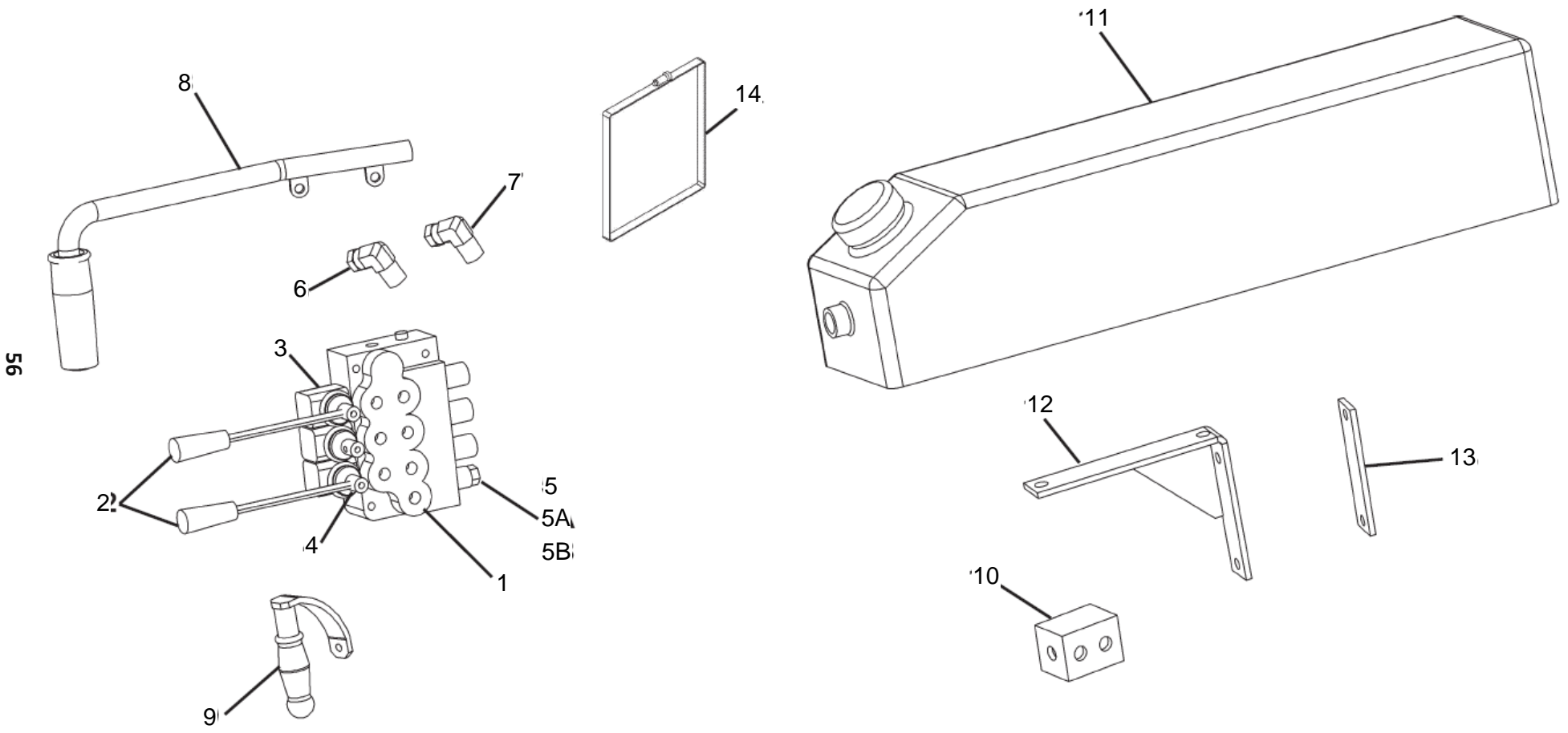
ITEM	PART NO.	DESCRIPTION
1	10-28195	Transport frame pipe, 76" (31')
1A	10-28196	Transport frame pipe, 101" (36',41')
1B	10-28197	Transport frame pipe, 120" (46')
1C	10-28198	Transport frame pipe, 144" (51')
2	10-27942	WHEEL MOVE BRACKET
3	10-28199	Cross brace pipe
4	10-28174	Cross brace clamp
5	10-28167	Wheel V-frame assembly
6	10-28168	Wheel yoke, with collar
7	10-28169	WHEEL AND TIRE
8	10-28176	1" ID BALL BEARING
9	10-28177	1" COLLAR
10	10-28173	Ram mounting A-frame
12	10-28170	15" Ram ext. pipe (31')
12A	10-28171	21" Ram ext. pipe (36')
12B	10-28172	38" Ram ext. pipe (41',46')
12C	10-28178	45" Ram ext. pipe (51')
13	10-28179	Hydraulic cylinder
13A	10-28628	seal kit for 28179
14	10-28705	8" vALVE mount 1/2 clamp
14A	10-27454	8" WIDE 1/2 cLAMP
14B	10-28706	10" vALVE mount 1/2 clamp
14C	10-27235	10" WIDE 1/2 CLAMP
15	10-28707	8" RAM MOUNT 1/2 clamp
15A	10-28708	10" RAM MOUNT 1/2 clamp
16	10-19609	U-Bolt, 3/8" x 2"
17	10-17402	Locknut, 3/8"
18	10-27816	Bolt, 1/2" x 2"
19	10-19599	Locknut, 1/2"
20	10-28255	Bolt, 3/8" x 2"
21	10-28256	Bolt, 3/8" x 1-1/2"
22	10-19975	Bolt, 3/8" x 1-1/4"
23	10-28257	U-Bolt, 1/4" x 1-1/2"
24	10-28258	Locknut, 1/4"
25	10-17403	Bolt, 1/2" x 2-1/2"
26	10-19542	Bolt, 7/16" x 1"
27	10-19598	Locknut, 7/16"
28	10-28263	Bolt, 3/4" x 6"
29	10-19601	Locknut, 3/4"



SP KIT GEAR PUMP & GEAR DRIVE COMPONENTS

ITEM	PART NO.	DESCRIPTION
1	10-28203	Pump handle
2	10-28204	Handle linkage
3	10-28205	Pump
4	10-28206	Pump bracket
5	10-28207	Over centre pump bracket
6	10-28061	Single groove engine pulley, 1-1/8" Bore
6A	10-28062	Single groove engine pulley, 1" Bore
7	10-28200	Pump pulley
8A	10-28253	Belt, B37
8B	N/A	Belt, b41
9	10-28164	Pump guard bracket
10	10-28165	Pump guard
11	10-28175	Ring gear, w/ 4 set screws
12	10-28181	Pinion gear, w/ roll pin
13	10-28182	Motor arm
14	10-28183	Orbit motor
15	10-28184	Fitting elbow, 1/2" MNPT x 3/8" FNPSM
16	10-28185	Handle link arm
17	10-28186	Handle spring
18	10-28188	Handle w/ grip
19A	10-27864	wheel motor mount bracket, rh
19B	10-27865	wheel motor mount bracket, lh
20	10-28256	Bolt, 3/8" x 1-1/2"
21	10-17392	Flat washer, 3/8"
22	10-17402	Locknut, 3/8"
23	10-19604	Lockwasher, 3/8"
24	10-28262	Bolt, 3/8" x 3/4"
25	10-28259	Setscrew, 5/16 x 3/4"
26	10-28260	3/8" x 1-1/2" Roll pin
27	10-27816	Bolt, 1/2" x 2"
28	10-19599	Locknut, 1/2"
29	10-28255	Bolt, 3/8" x 2"
30	10-19542	Bolt, 7/16" x 1"
31	10-19598	Locknut, 7/16"
32	10-17401	Flat washer, 1/2"
33	10-28261	Whiznut, 1/2"
34	10-28264	Bolt, 3/8" x 1-3/4"
35	10-19975	Bolt, 3/8" x 1-1/4"
36	10-19955	Bolt, 3/8" x 1"
37	10-17754	Hex nut, 3/8"
38	10-19231	Bolt, 1/2" x 1"
39	10-17756	Jam nut, 1/2"
40	10-28604	Pump Bracket Assembly (24"), As Shipped (includes Items 1, 2, 4, 5, 20, 22, 23, 34, 35, 36, 37, 38, & 39)

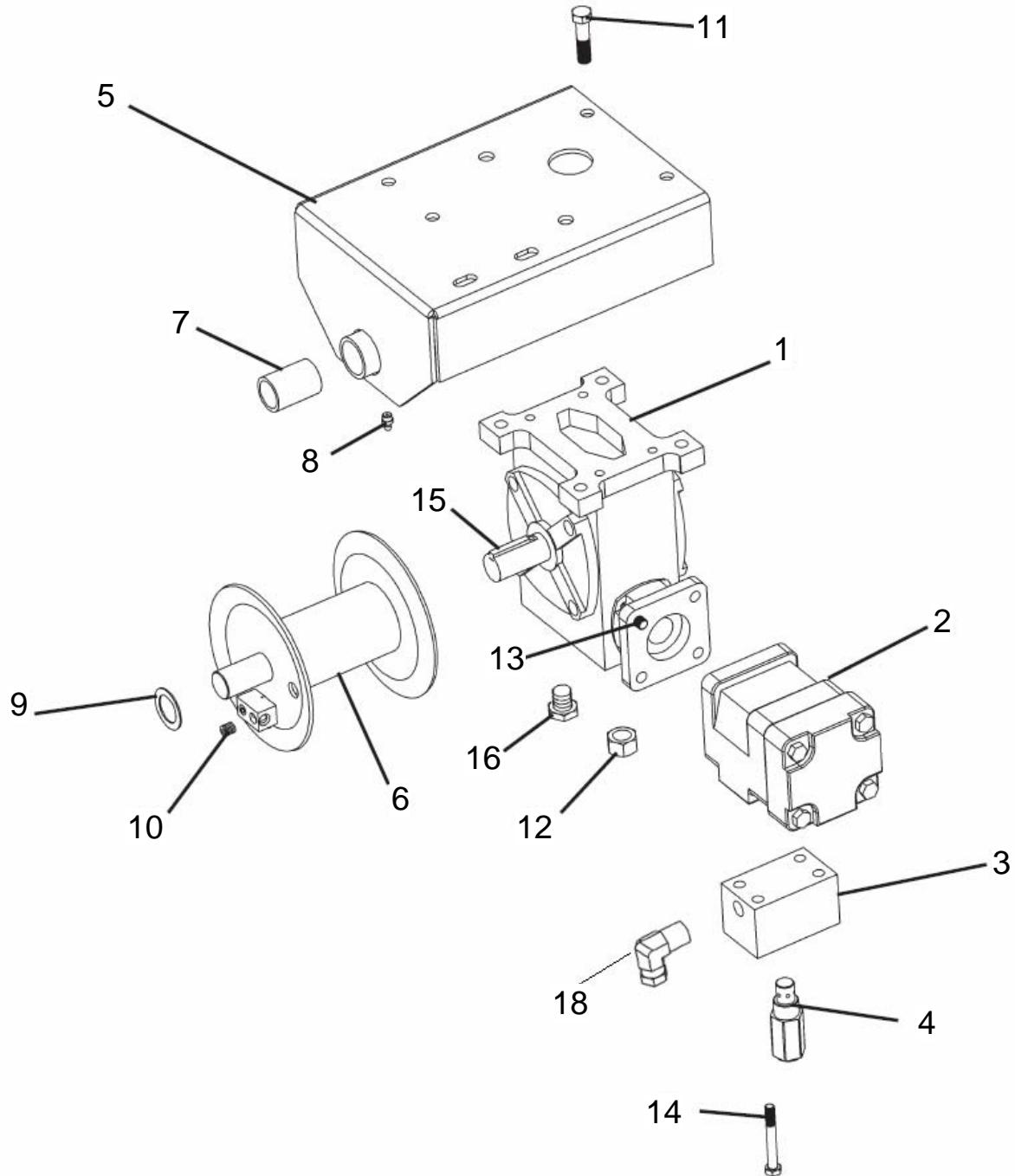
SP KIT HYDRAULIC COMPONENTS



SP KIT HYDRAULIC COMPONENTS

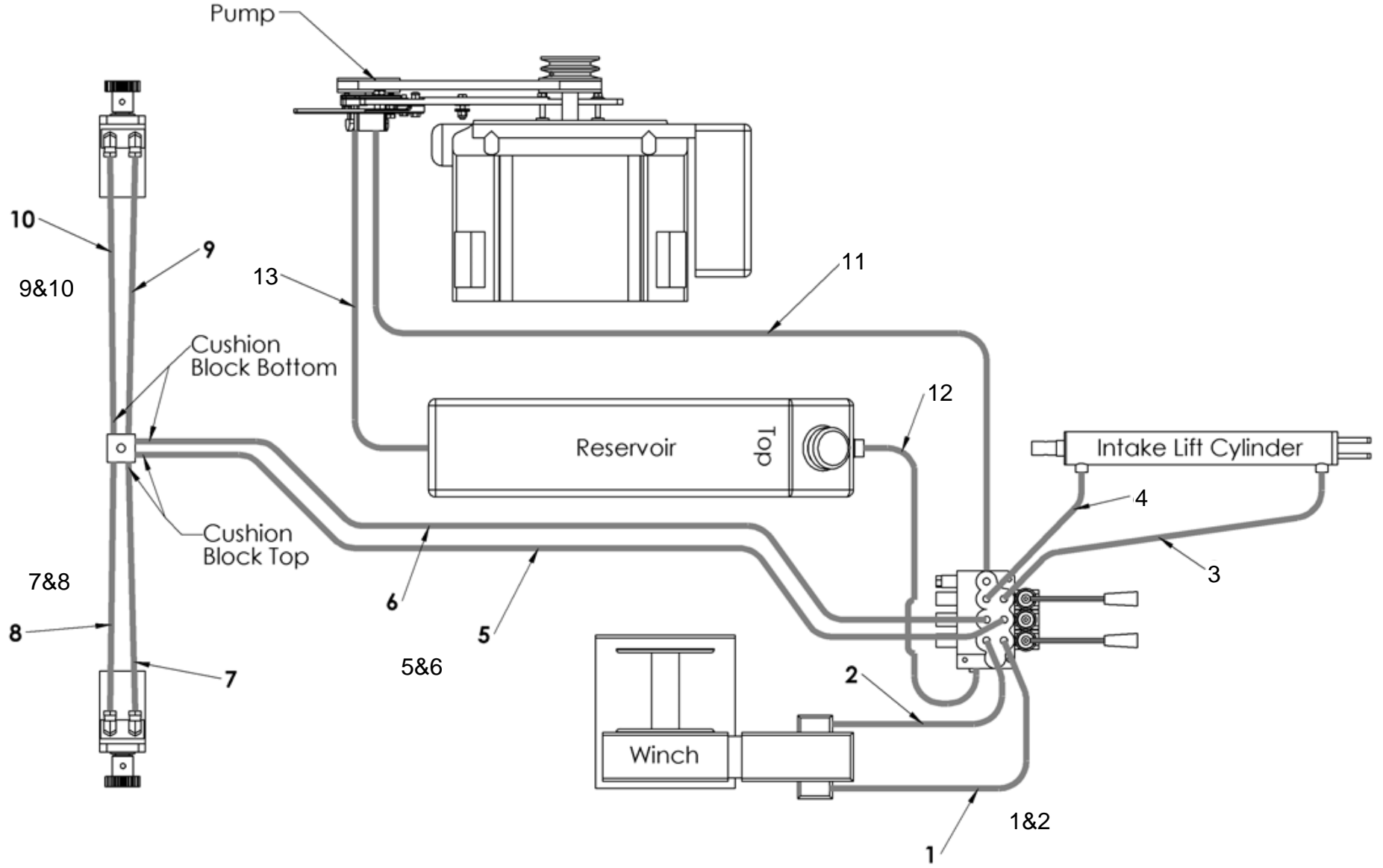
ITEM	PART NO.	DESCRIPTION
1	10-28209	Three spool valve, complete - no fittings
2	10-28210	control levers for spool valve
3	10-28211	Lever pivot box, w/lever arm, lever pin, rubber boot
4	10-28212	boot, three spool valve'
5	10-28213	end cap
5A	10-28214	end cap w/ bolt
5B	10-28215	end cap with spring
6	10-28216	fitting elbow, 1/2" mnpt x 1/2" fnpsm
7	10-28217	fitting elbow, 45° 6 morb x 6 mjic
8	10-28218	bar handle
9	10-28219	control handle
10	10-28180	cushion block
11	10-28166	22l tank (w/ fittings, cap, hose)
12	10-27873	tank bracket
13	10-27919	tank backplate
14	9900216	clamp, gear (116), 32"

A197, HYDRAULIC WINCH



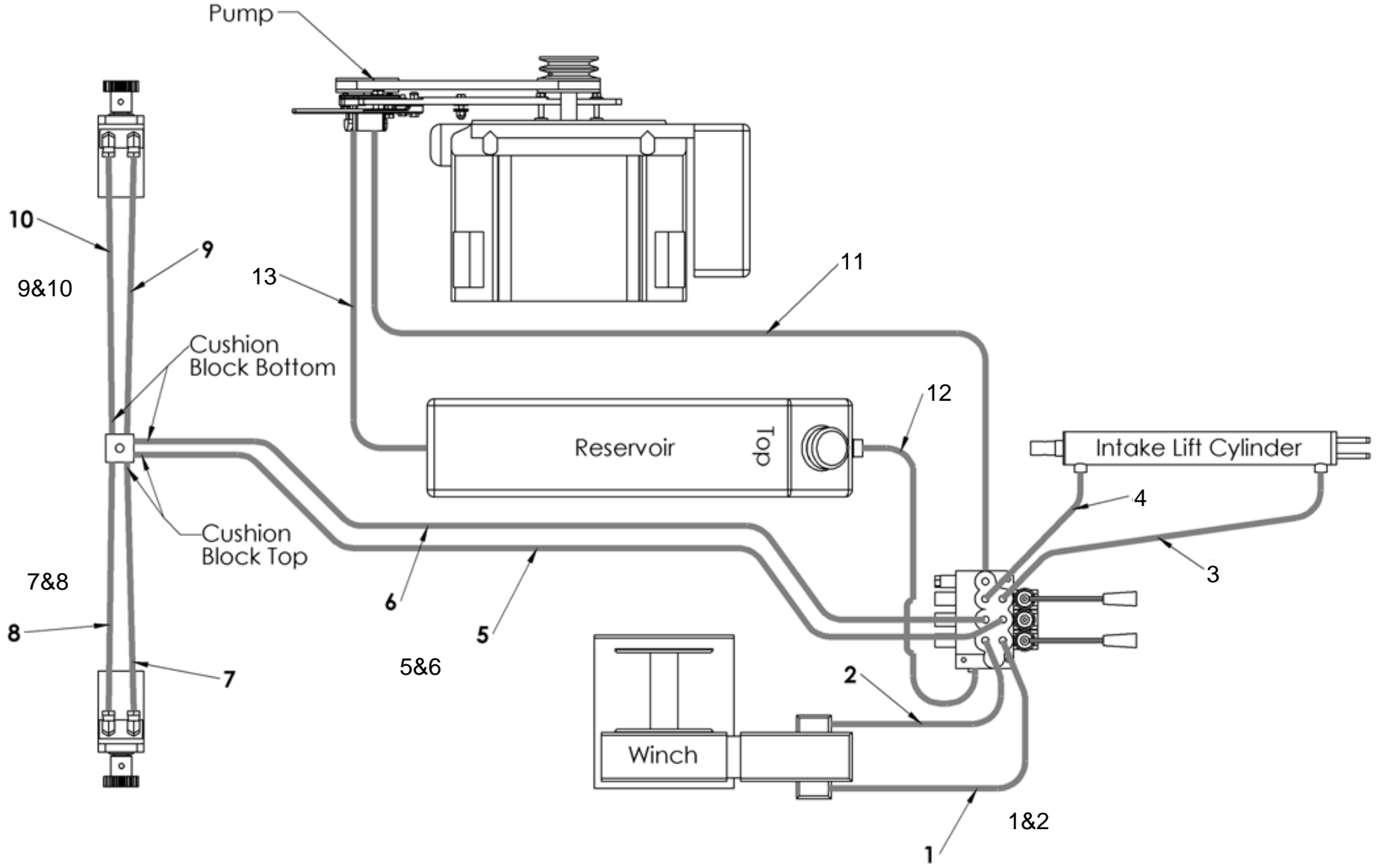
A197, HYDRAULIC WINCH

ITEM	PART NO.	DESCRIPTION
1	10-17625	Gearbox
2	10-28220	Hydraulic motor
3	10-28221	Hydraulic motor bypass valve
4	10-28222	Relief valve
5	10-17628	Winch frame
6	10-17629	Drum assembly
7	10-19149	Bushing, 1"ID x 1 1/4"OD Oilite
8	10-19222	Grease nipple, 5/16" press in
9	10-18097	Spacer, 1"ID x 18 ga.
10	10-19225	Setscrew, 3/8" - x 3/8"
11	10-19981	Bolt, 7/16 x 1 3/4"
12	10-19598	Locknut, 7/16"
13	10-19955	Bolt 3/8 - 16 x 1", black
14	10-17631	Bolt 5/16" x 2-1/2"
15	10-19606	Square key, 1/4 x 1 1/2"
16	10-21496	STEEL PIPE PLUG, M16 X 1.5
17	10-17634	Hyd Winch Assm "Only"
18	1100625	Fitting Elbow, 45° 6 MORB x 6 mjic



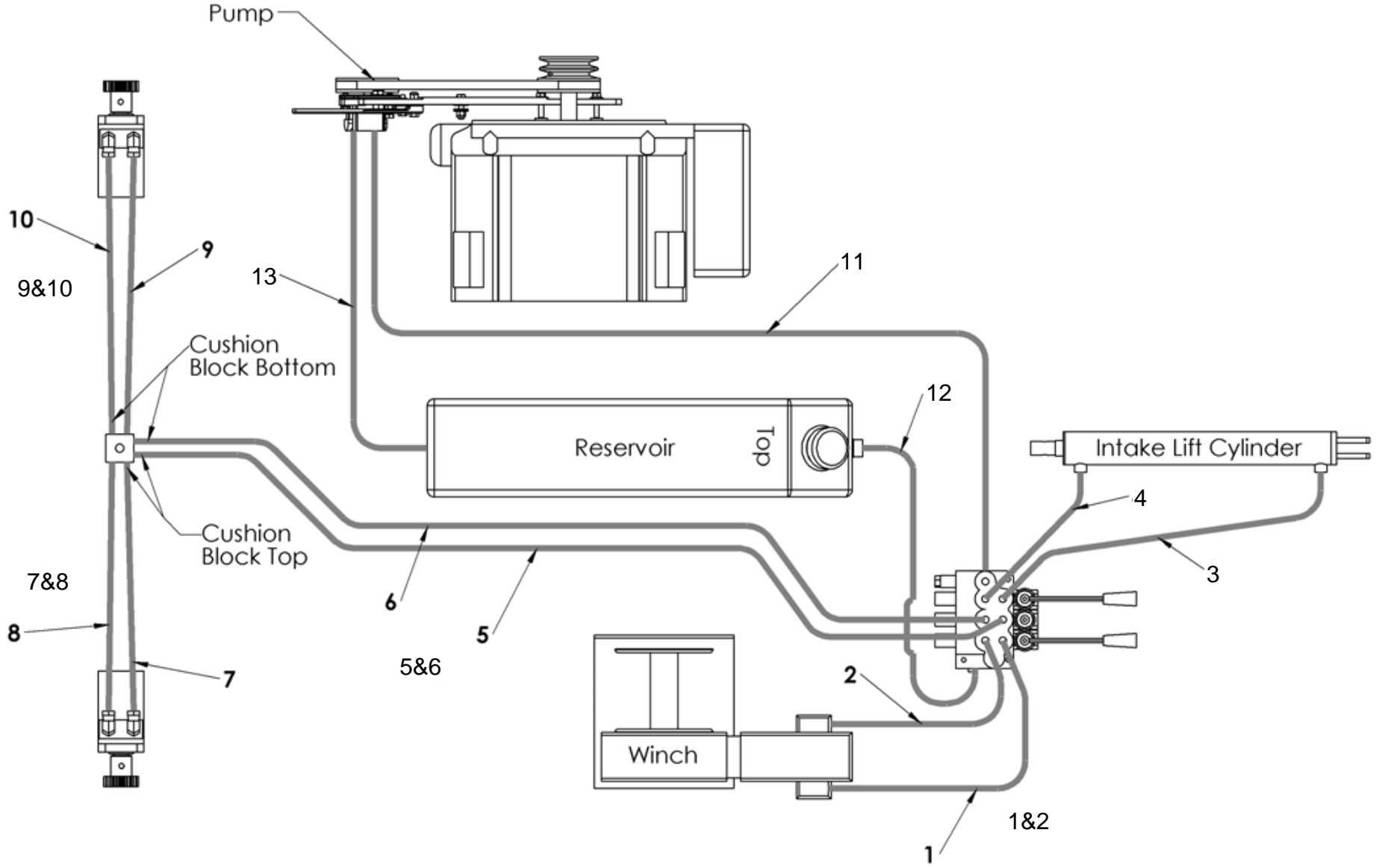
SP KIT HYDRAULIC LINES 8X31 0200324A-60

ITEM	PART NO.	DESCRIPTION
1&2	10-29388	Control valve to/from winch valve (3/8" - 96")
3	10-28223	Control valve to cylinder inlet port (3/8" - 26")
4	10-28225	cylinder exit port to control valve (3/8" - 40")
5&6	10-28236	control valve to/from cushion block (3/8" - 144")
7&8	10-28228	cushion block to/from drive motor (3/8" - 48")
9&10	10-28229	cushion block to/from drive motor (3/8" - 50")
11	10-28245	out from hydraulic pump to control valve inlet port (1/2" - 156")
12	10-28242	out from control valve to oil reservoir inlet (1/2" - 78")
13	10-28252	out from oil reservoir to hydraulic pump inlet (3/4" - 48")



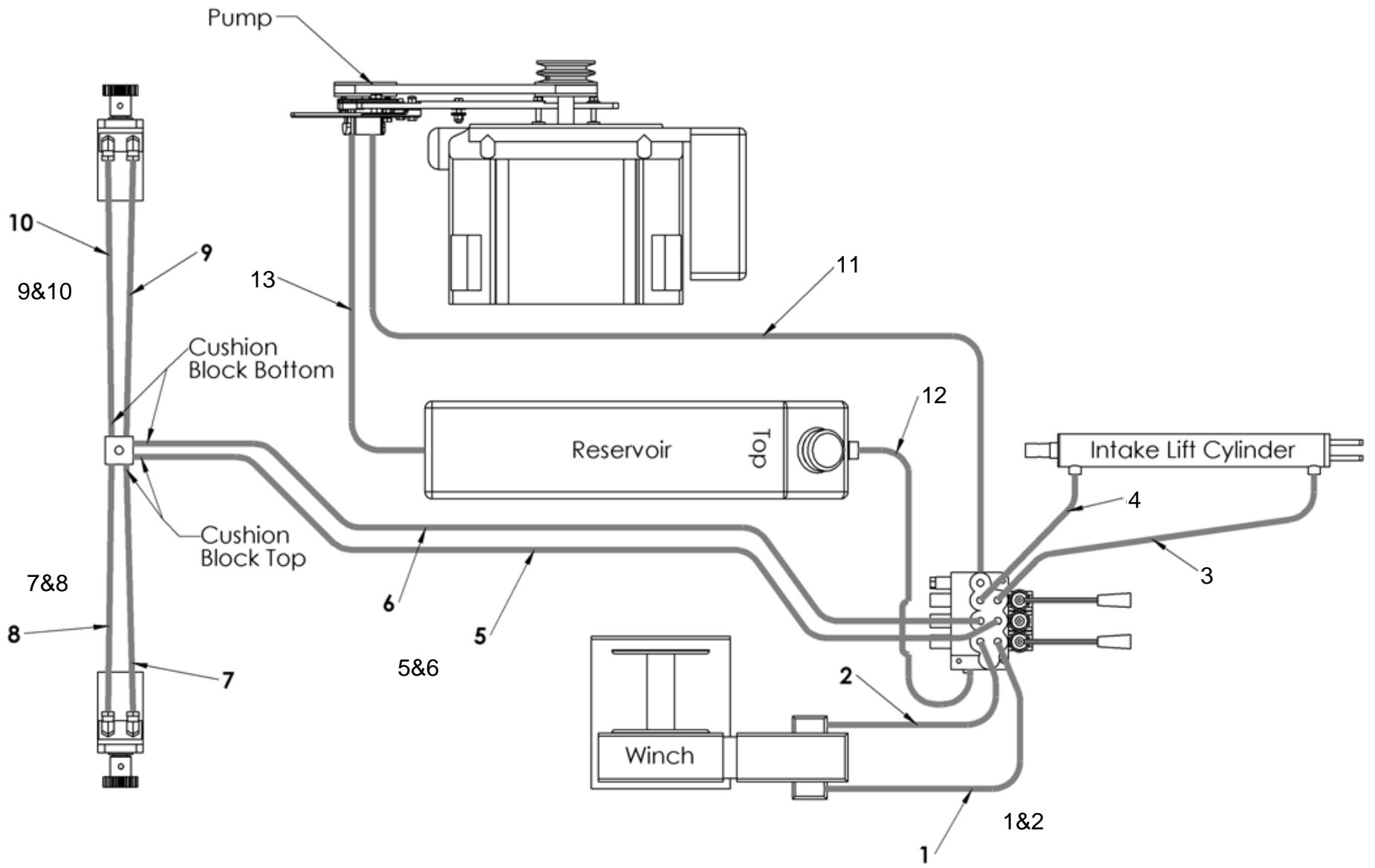
SP KIT HYDRAULIC LINES 8X36 0200324A-61

ITEM	PART NO.	DESCRIPTION
1&2	10-28234	Control valve to/from winch valve (3/8" - 132")
3	10-28223	Control valve to cylinder inlet port (3/8" - 26")
4	10-28225	cylinder exit port to control valve (3/8" - 40")
5&6	10-28238	control valve to/from cushion block (3/8" - 177")
7&8	10-28228	cushion block to/from drive motor (3/8" - 48")
9&10	10-28229	cushion block to/from drive motor (3/8" - 50")
11	10-28247	out from hydraulic pump to control valve inlet port (1/2" - 182")
12	10-28243	out from control valve to oil reservoir inlet (1/2" - 94")
13	10-28252	out from oil reservoir to hydraulic pump inlet (3/4" - 48")



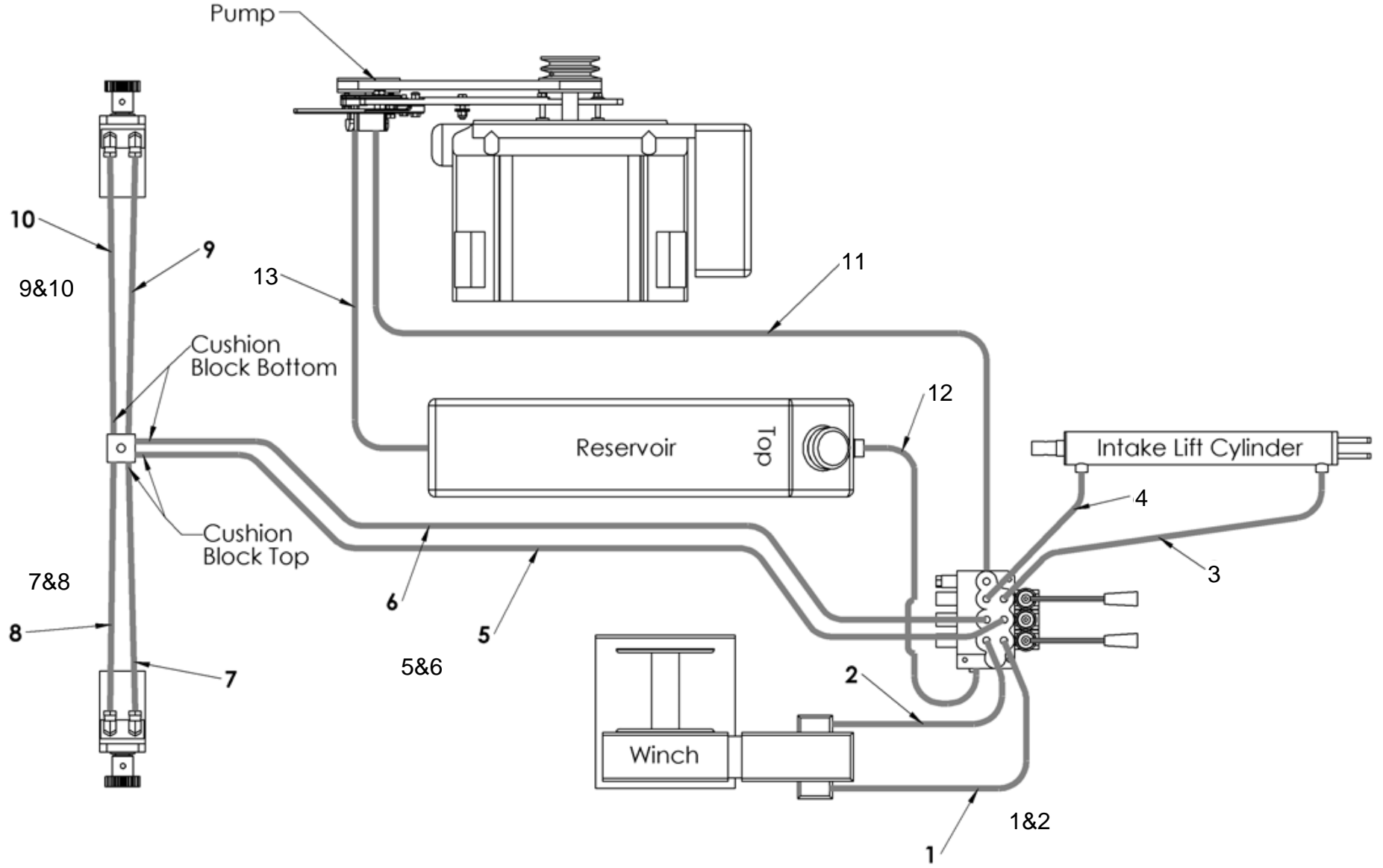
SP KIT HYDRAULIC LINES 8X41 0200324A-62

ITEM	PART NO.	DESCRIPTION
1&2	10-28235	Control valve to/from winch valve (3/8" - 140")
3	10-28224	Control valve to cylinder inlet port (3/8" - 36")
4	10-28230	cylinder exit port to control valve (3/8" - 52")
5&6	10-29360	control valve to/from cushion block (3/8" - 200")
7&8	10-28229	cushion block to/from drive motor (3/8" - 50")
9&10	10-28231	cushion block to/from drive motor (3/8" - 60")
11	10-28249	out from hydraulic pump to control valve inlet port (1/2" - 214")
12	10-28244	out from control valve to oil reservoir inlet (1/2" - 136")
13	10-28252	out from oil reservoir to hydraulic pump inlet (3/4" - 48")



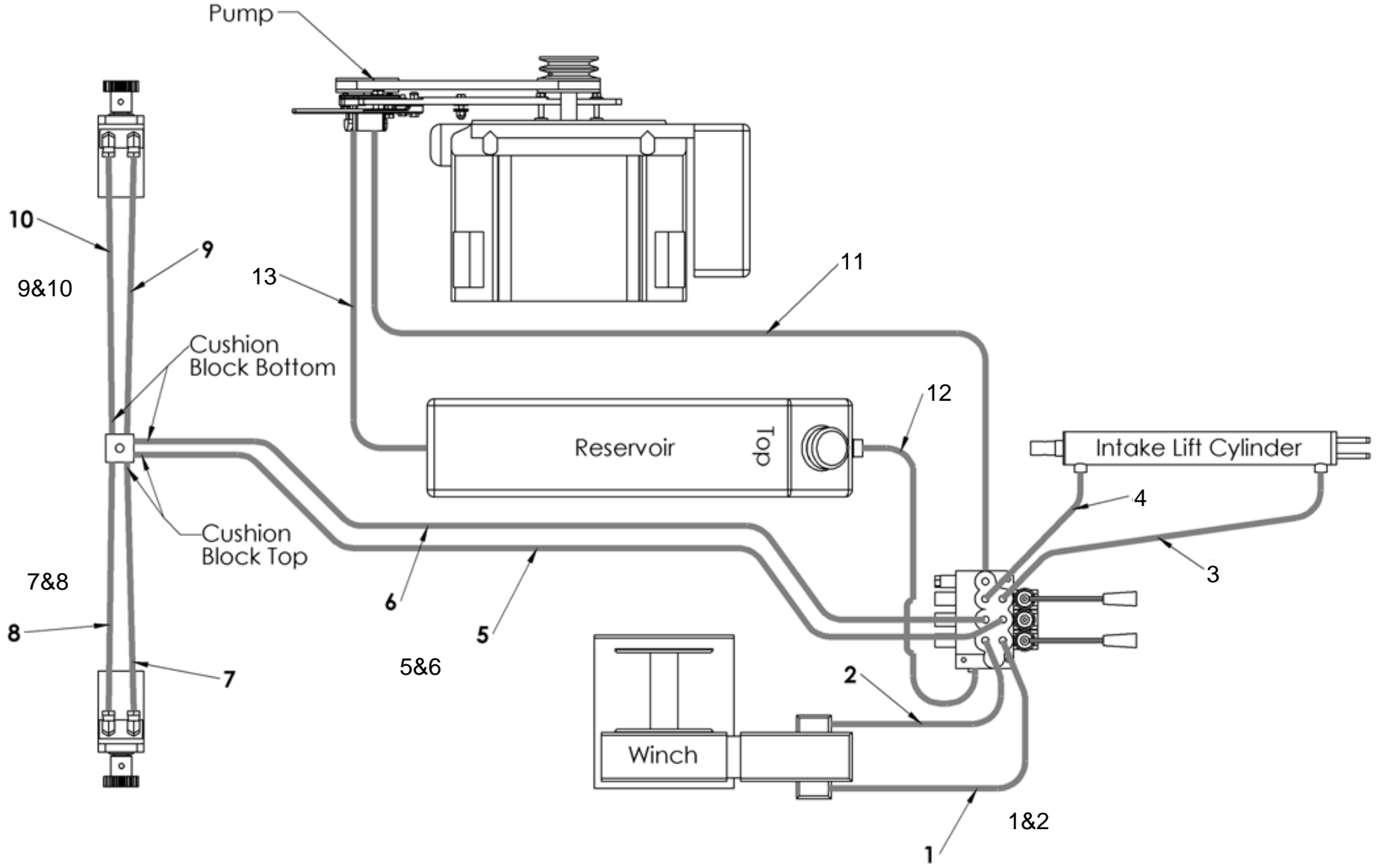
SP KIT HYDRAULIC LINES 8X46 0200324A-63

ITEM	PART NO.	DESCRIPTION
1&2	10-28237	Control valve to/from winch valve (3/8" - 175")
3	10-28226	Control valve to cylinder inlet port (3/8" - 44")
4	10-29361	cylinder exit port to control valve (3/8" - 60")
5&6	10-28240	control valve to/from cushion block (3/8" - 235")
7&8	10-28229	cushion block to/from drive motor (3/8" - 50")
9&10	10-28231	cushion block to/from drive motor (3/8" - 60")
11	10-28250	out from hydraulic pump to control valve inlet port (1/2" - 245")
12	10-28246	out from control valve to oil reservoir inlet (1/2" - 165")
13	10-28252	out from oil reservoir to hydraulic pump inlet (3/4" - 48")



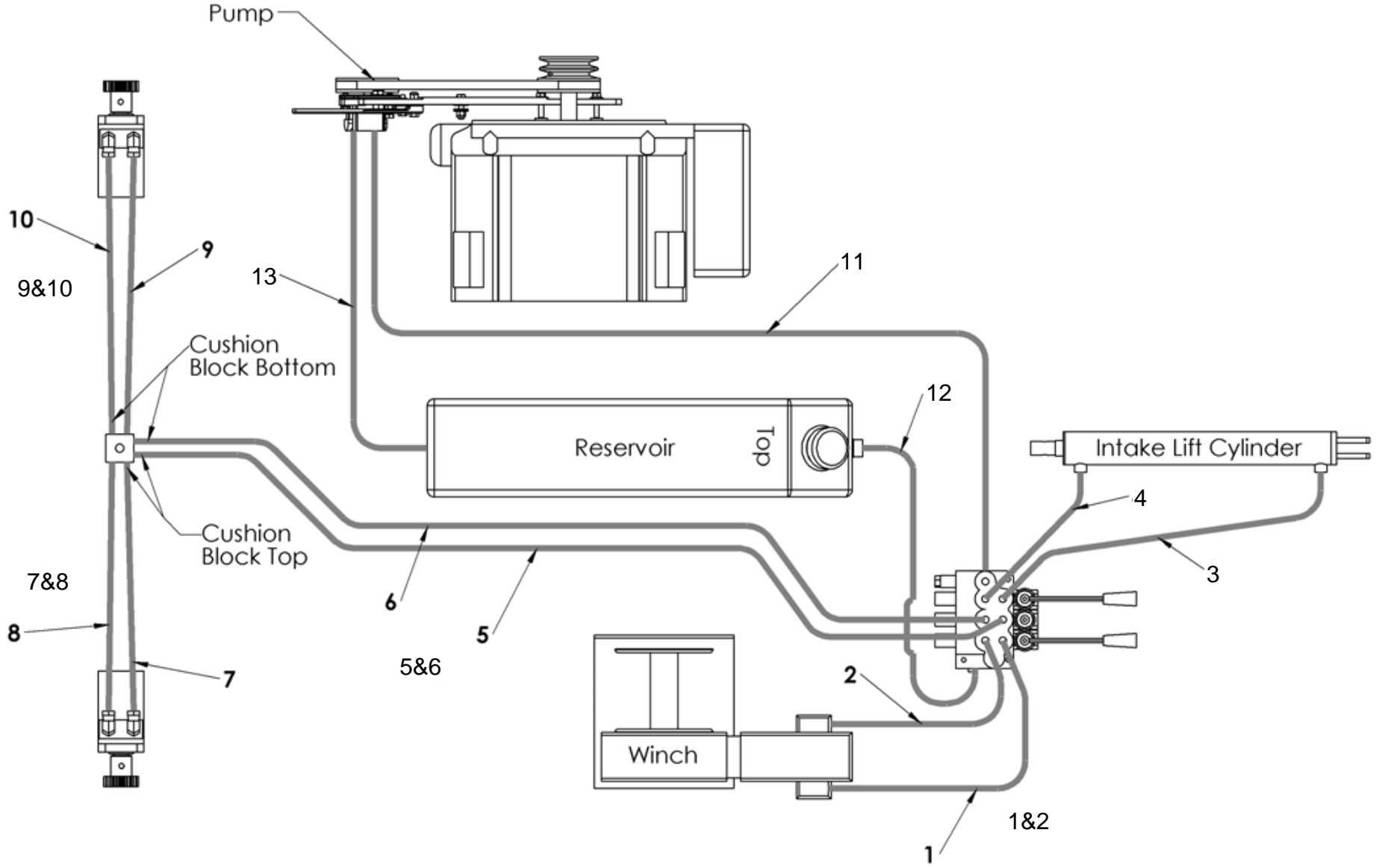
SP KIT HYDRAULIC LINES 8X51 0200324A-64

ITEM	PART NO.	DESCRIPTION
1&2	10-28239	Control valve to/from winch valve (3/8" - 200")
3	10-28227	Control valve to cylinder inlet port (3/8" - 46")
4	10-28232	cylinder exit port to control valve (3/8" - 62")
5&6	10-28241	control valve to/from cushion block (3/8" - 260")
7&8	10-28229	cushion block to/from drive motor (3/8" - 50")
9&10	10-28231	cushion block to/from drive motor (3/8" - 60")
11	10-28251	out from hydraulic pump to control valve inlet port (1/2" - 280")
12	10-28248	out from control valve to oil reservoir inlet (1/2" - 200")
13	10-28252	out from oil reservoir to hydraulic pump inlet (3/4" - 48")



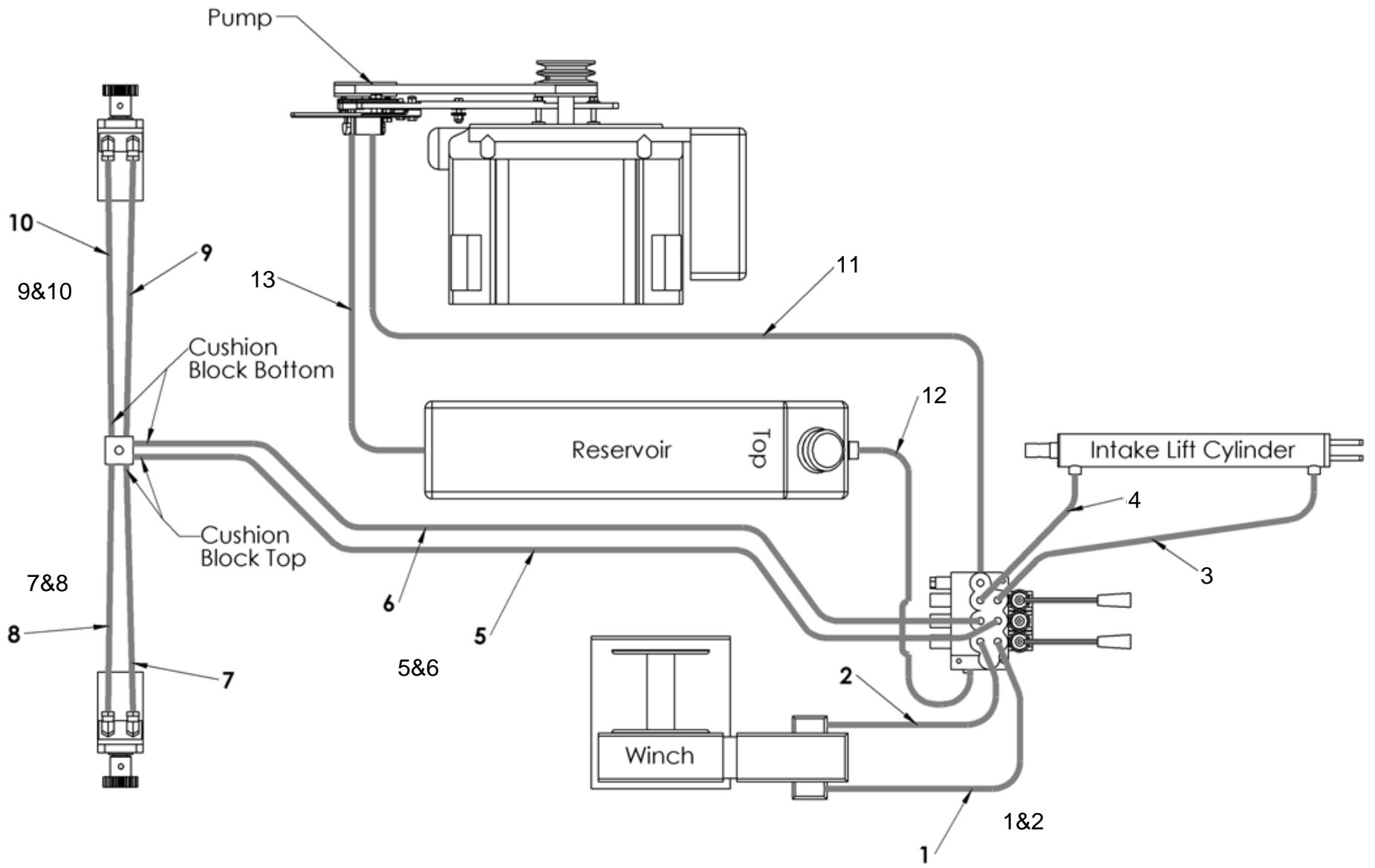
SP KIT HYDRAULIC LINES 10X31 0200324A-60

ITEM	PART NO.	DESCRIPTION
1&2	10-29388	Control valve to/from winch valve (3/8" - 96")
3	10-28223	Control valve to cylinder inlet port (3/8" - 26")
4	10-28225	cylinder exit port to control valve (3/8" - 40")
5&6	10-28236	control valve to/from cushion block (3/8" - 144")
7&8	10-28228	cushion block to/from drive motor (3/8" - 48")
9&10	10-28229	cushion block to/from drive motor (3/8" - 50")
11	10-28245	out from hydraulic pump to control valve inlet port (1/2" - 156")
12	10-28242	out from control valve to oil reservoir inlet (1/2" - 78")
13	10-28252	out from oil reservoir to hydraulic pump inlet (3/4" - 48")



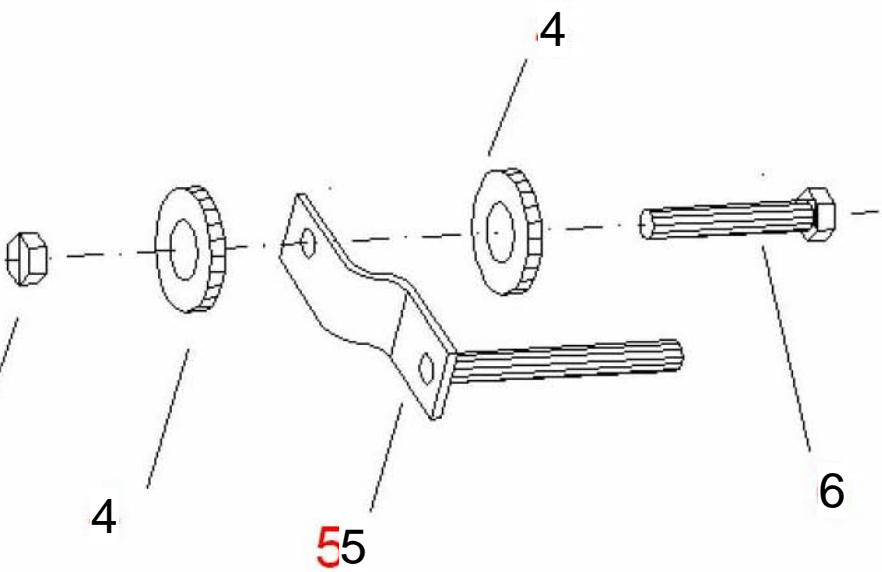
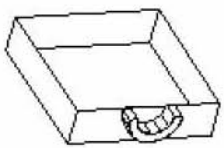
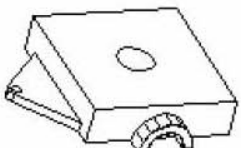
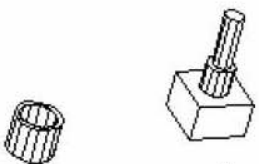
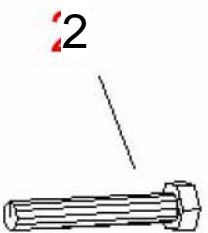
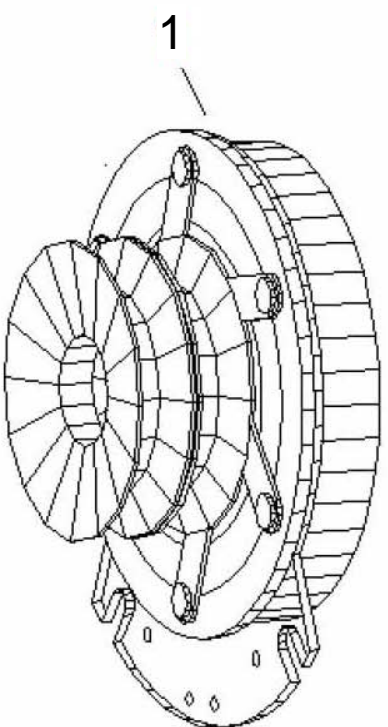
SP KIT HYDRAULIC LINES 10X36 0200324A-61

ITEM	PART NO.	DESCRIPTION
1&2	10-28234	Control valve to/from winch valve (3/8" - 132")
3	10-28223	Control valve to cylinder inlet port (3/8" - 26")
4	10-28225	cylinder exit port to control valve (3/8" - 40")
5&6	10-28238	control valve to/from cushion block (3/8" - 177")
7&8	10-28228	cushion block to/from drive motor (3/8" - 48")
9&10	10-28229	cushion block to/from drive motor (3/8" - 50")
11	10-28247	out from hydraulic pump to control valve inlet port (1/2" - 182")
12	10-28243	out from control valve to oil reservoir inlet (1/2" - 94")
13	10-28252	out from oil reservoir to hydraulic pump inlet (3/4" - 48")



SP KIT HYDRAULIC LINES 10X41 0200324A-62

ITEM	PART NO.	DESCRIPTION
1&2	10-28235	Control valve to/from winch valve (3/8" - 140")
3	10-28224	Control valve to cylinder inlet port (3/8" - 36")
4	10-28230	cylinder exit port to control valve (3/8" - 52")
5&6	10-28239	control valve to/from cushion block (3/8" - 200")
7&8	10-28229	cushion block to/from drive motor (3/8" - 50")
9&10	10-28231	cushion block to/from drive motor (3/8" - 60")
11	10-28249	out from hydraulic pump to control valve inlet port (1/2" - 214")
12	10-28244	out from control valve to oil reservoir inlet (1/2" - 136")
13	10-28252	out from oil reservoir to hydraulic pump inlet (3/4" - 48")



A224-A225 ELECTRIC CLUTCH

ITEM	PART NO.	DESCRIPTION
1	10-28593	Electric clutch assembly 1-1/8"
1A	10-28594	Electric Clutch Assembly 1"
2	10-28595	Bolt, 3/8" UNF x 3" grade 8
3	10-17402	Nylon lock nut 3/8"
4	10-17392	Flat washer 3/8"
5	10-28597	Clutch stop bracket
6	10-19975	Bolt, 3/8" UNC x 1-1/4", grade 5
7	10-28598	Switch with rubber boot
8	10-28599	Switch box top
9	10-28600	Switch box bottom
10	10-28601	Wiring harness
11	10-28602	Pigtail, NNS clutch



P.O. Box 39

Rosenort, Manitoba, R0G 1W0 Canada

Phone: (866) 467-7207 (Canada & USA) or (204) 746-2396

Fax: (866) 768-4852

website: www.grinaugers.com

email: sales@grinaugers.com

© Ag Growth International Inc. 2019

Printed in Canada