



TFX2 SERIES - GRAIN AUGERS

8-31, 8-36, 8-41, 8-46, 8-51

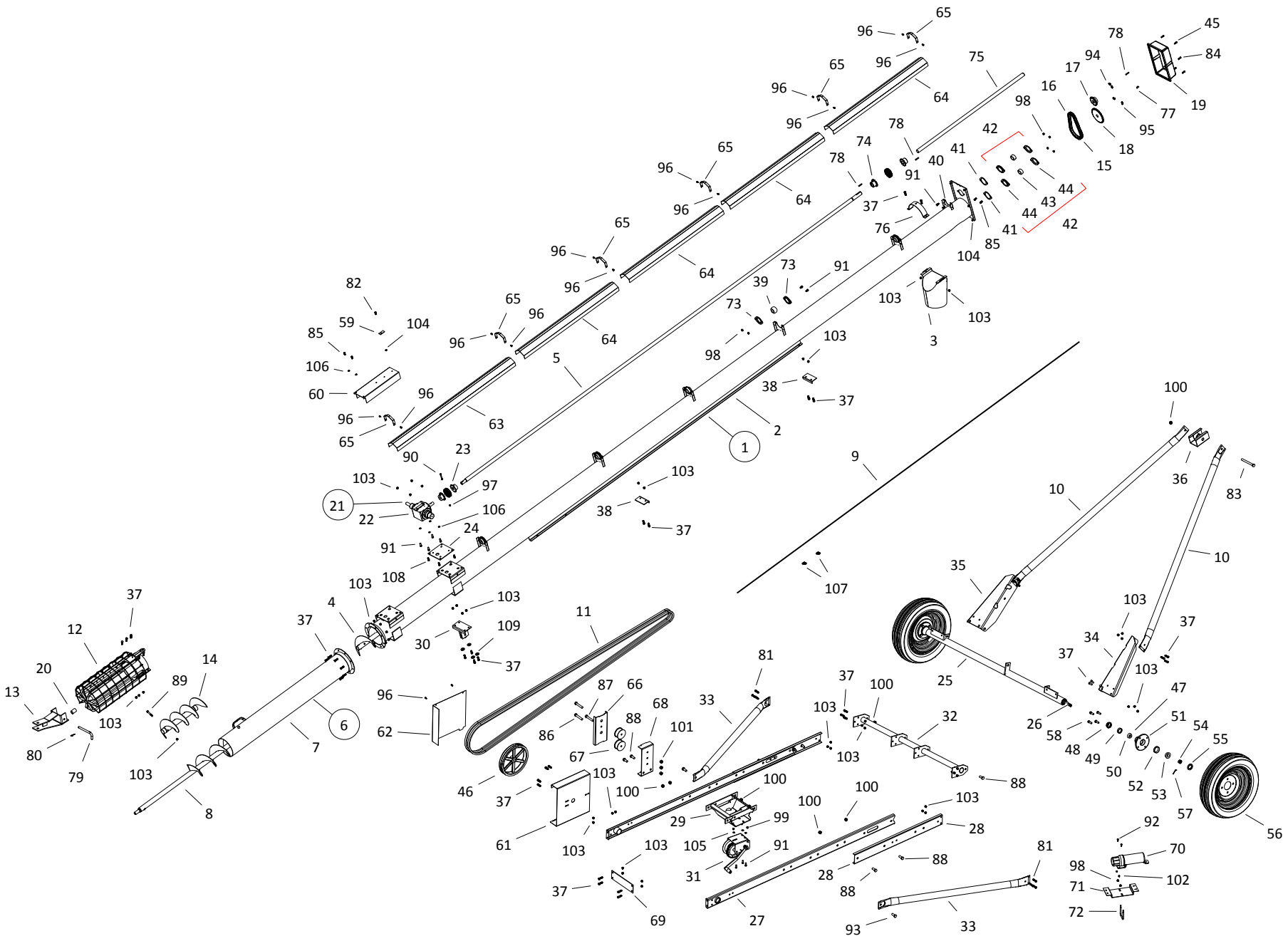
10-31, 10-36, 10-41

PARTS MANUAL

TABLE OF CONTENTS

DESCRIPTION	PAGE
TFX2 AUGER 831	4
TFX2 AUGER 836	10
TFX2 AUGER 841	16
TFX2 AUGER 846	22
TFX2 AUGER 851	28
TFX2 AUGER 1031	34
TFX2 AUGER 1036	40
TFX2 AUGER 1041	46
TFX2 PTO PARTS	52
TFX2 MOTOR DRIVE	54
SP KIT FRAME COMPONENTS	56
SP KIT HYDRAULIC LINES 8 & 10X31 0200324A-60	60
SP KIT HYDRAULIC LINES 8 & 10X36 0200324A-61	62
SP KIT HYDRAULIC LINES 8 & 10X41 0200324A-62	64
SP KIT HYDRAULIC LINES 8X46 0200324A-63	66
SP KIT HYDRAULIC LINES 8X51 0200324A-64	68
SP KIT GEAR DRIVE COMPONENTS	70
SP KIT GEAR PUMP COMPONENTS	71
HYDRAULIC WINCH (A197) COMPONENTS	72
GEARBOX (10-19473) COMPONENTS	74
PTO SHAFT "WEASLER"-12R (19945)	76

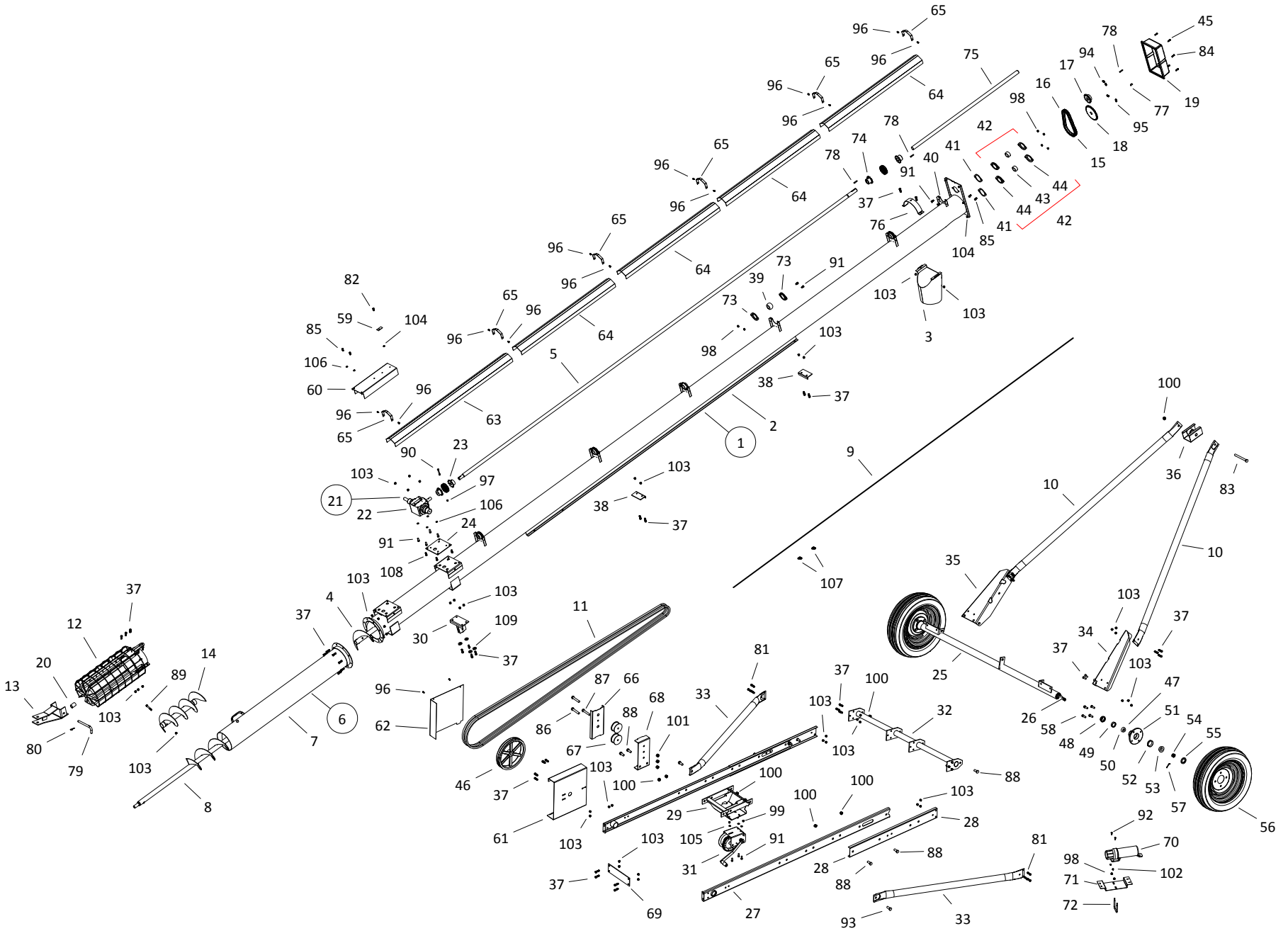
TFX2 AUGER 831



TFX2 AUGER 831

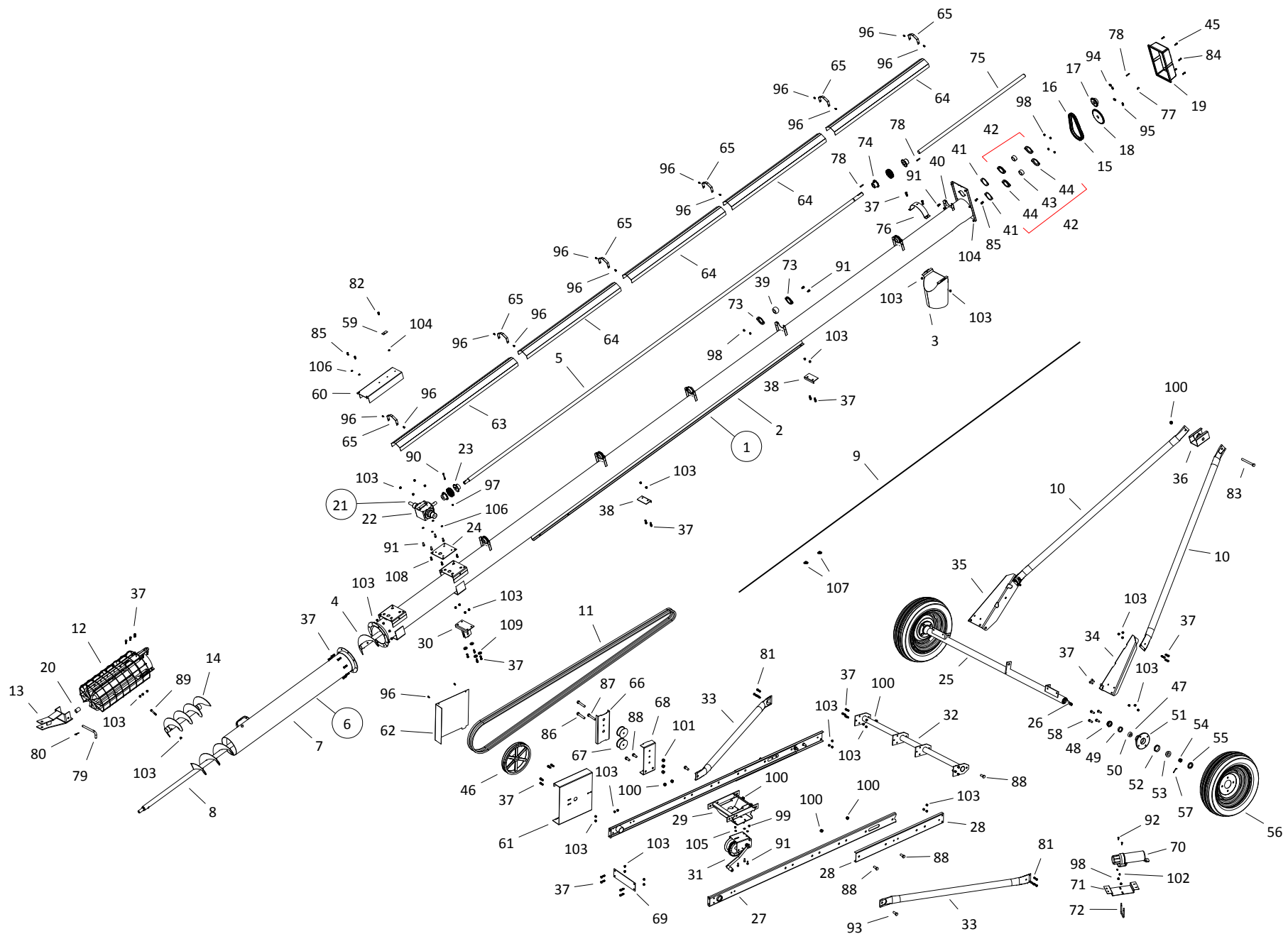
ITEM	PART NO.	DESCRIPTION
1	10-29760	TFX208-31/36 UPPER TUBE BUNDLE
2	10-29759	TFX208 X 31/36 UPPER TUBE WELD'T
3	10-29306	SPOUT, 8 INCH ROLLED
4	10-19402	W80 UPPER FLIGHT SECTION 4503123
5	10-29767	TFX2 X 31/36 UPPER LONG DS
6	10-29758	TFX208-31 LOWER TUBE BUNDLE #
7	10-19390	WR/TF/TFX 831 LOWER TUBE ONLY #
8	10-29731	TFX208 31 LWR FLIGHT W/INTAKE FLIGHT
9	10-18823	J41/TF/TFX31 WINCH CABLE
10	10-28946	TFX/TFX2 31 UPPER LIFT ARM
11	10-19478	B210 BELT
12	10-29726	TFX208/R8 INTAKE W/SHIELD,BUSHING
13	10-17123	WR CLEVIS
14	10-18920	MK80 BOOT FLIGHT SECTION
15	10-19432	60B37 ROLLER CHAIN W/CONNECTOR
16	10-19433	60B CHAIN CONNECTOR
17	10-17067	60B14 X 1-1/4 SPROCKET
18	10-19431	60B25 X 1 SPROCKET
19	10-17158	OIL COVER, WR80 HEAD
20	10-19149	P245 - 14MOD POROUS BRONZE BUSHING
21	10-28358	TF/TFX GEARBOX ASSEMBLY
22	10-19473	GEARBOX (PAINTED WHEATHEART RED)
23	10-17592	FLEX COUPLER 0310008
24	10-19633	BD GEARBOX PLATE 4503010
25	10-28935	TFX/TFX2 31/36 AXLE
26	10-19263	REPLACEMENT SPINDLE
27	10-28933	TFX/TFX2 UPPER CHANNEL
28	10-28937	TFX/TFX2 31/36 LOWER CHANNEL
29	10-28934	TFX/TFX2 WINCH MOUNT
30	10-27862	TF/TFX CABLE RETURN
31	10-19152	K1550 0301 BRAKE WINCH
32	10-27849	TF/TFX-31/36 SUB-AXLE
33	10-28941	TFX/TFX208-31/36 LOWER FRAME TUBE
34	10-28944	TFX/TFX2 BASE PLATE, RIGHT HAND
35	10-28945	TFX/TFX2 BASE PLATE, LEFT HAND
36	10-18763	J TRACK SHOE 4503053
37	10-18698	7/16" X 1-1/4" NC BOLT GR 8 PLTD
38	10-18762	TRACK STOP
39	10-18691	1-1/4" WOOD BEARING
40	10-29739	R8/TFX208 SPROCKET BOX TAB
41	10-17168	GASKET
42	10-19322	1-1/4 2 HOLE FLANGE BEARING
43	10-18853	EFH206-20 BEARING
44	10-18695	62MST ZP FLANGE PLATED FINISH
45	10-17179	3/8 OIL BATH PLUG
46	10-19613	12.7" X 1" DOUBLE B GROOVE PULLEY
47	10-19467	HA411Z HUB ASSEMBLY
48	10-19264	SEAL
49	10-19265	LARGE BEARING, TIMKEN #LM67048
50	10-19266	LARGE CUP, TIMKEN #LM67010

TFX2 AUGER 831



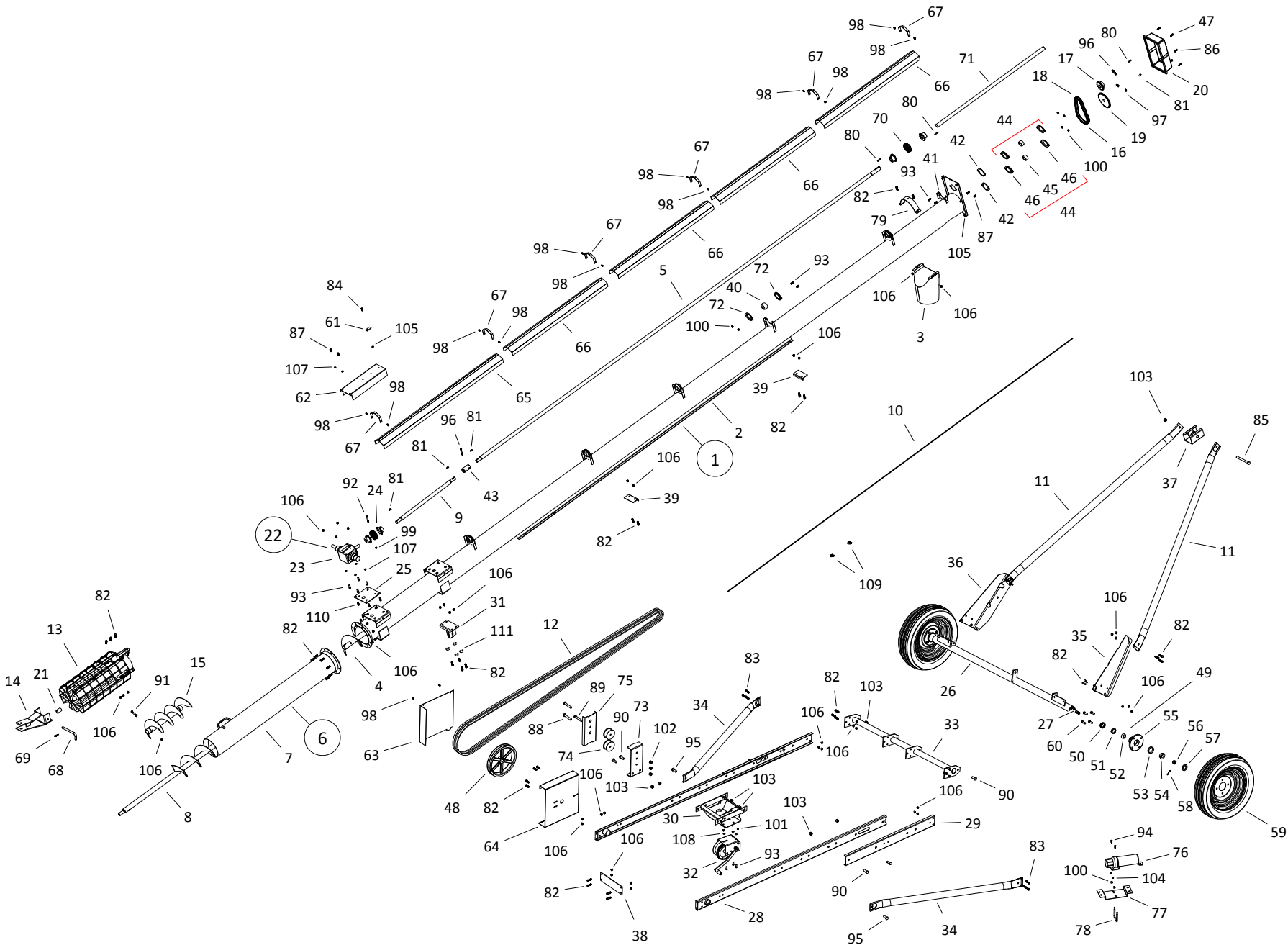
TFX2 AUGER 831

ITEM	PART NO.	DESCRIPTION
51	10-19267	HUB W/ CAPS
52	10-19269	SMALL BEARING, TIMKEN #LM11949
53	10-19268	SMALL CUP, TIMKEN #LM11910
54	10-19270	SLOTTED NUT, 3/4" - 16
55	10-19272	DUST CAP
56	10-19261	15 X 4.5 X 4 BOLT WHEEL BLACK
57	10-19271	COTTER PIN, 1/8" X 1-1/2"
58	10-20565	1/2" X 1" WHEEL BOLT (BLACK)
59	10-19627	DSG ATTACH PLATE
60	10-19626	SHIELD, FLEX COUPLER 4503063
61	10-28913	UPPER SHIELD BACKING PLATE
62	10-28914	UPPER SHIELD FACE
63	10-18829	SHIELD 60" DRIVEGUARD 4503061
64	10-19255	48 DRIVEGUARD SHIELD 4503060
65	10-19256	DSG STRAP 4503062
66	10-28965	TFX/TFX2 IDLER SHIELD
67	10-28447	4" X 1/2" IDLER PULLEY (BLACK)
68	10-28964	IDLER BRACKET
69	10-28940	TFX/TFX2 UPPER CHANNEL BRACE
70	10-29755	WATERPROOF PLASTIC MANUAL HOLDER
71	10-29798	MANUAL HOLDER MOUNT, WESTFIELD
72	10-19610	3/8" X 2-1/2" U-BOLT PLTD
73	10-18695	62MST ZP FLANGE PLATED FINISH
74	10-19771	CHAIN COUPLER
75	10-29736	UPPER SHORT DRIVESHAFT, TFX2
76	10-19460	W80 HALF CLAMP 10716
77	10-19224	1/4" X 1" WOODRUFF KEY
78	10-19606	KEY, 1/4" X 1-1/2" SQ 700615
79	10-17181	5/8" CLEVIS PIN
80	10-17383	HAIR CLIP
81	10-28744	7/16" X 1-1/2" NC BOLT GR 5 PLTD
82	10-19537	BOLT, 1/4" X 1/2" GR5
83	10-19591	5/8" X 6-1/2" NC BOLT GR 8 PLTD
84	10-19988	1/4" X 1" NC BOLT GR 2 PLTD
85	10-19540	3/8" X 3/4" NC BOLT GR 5 PLTD
86	10-19798	BOLT, 1/2" x 2-3/4" GR8 PLTD
87	10-17762	BOLT, 1/2" x 3" GR5 PLTD
88	10-19590	BOLT, 5/8" X 1-1/2" GR5
89	10-17747	BOLT, 7/16" X 2-1/2" NC BOLT GR8
90	10-17631	5/16" X 2-1/2" NC BOLT GR 2 PLTD.
91	10-18955	BOLT 3/8" X 1" 9900699
92	9900800	1/4" X 3/4" NC BOLT GR 5 PLTD
93	10-19991	5/8" X 2" NC BOLT GR 8 PLTD
94	10-19225	3/8"UNC-X3/8"SETSCREW REGULAR CUP
95	10-29118	SETSCREW, 3/8" X 3/4" GR8 SQ END
96	10-19274	#14 X 5/8" SMS AB GR 5 PLTD
97	10-19980	5/16" NC NYLON LOCKNUT PLTD
98	10-19596	3/8" NC SERRATED FLANGE NUT PLTD
99	10-17402	3/8" NC NYLON LOCKNUT PLTD
100	10-19600	5/8" NC NYLON LOCKNUT PLTD



TFX2 AUGER 831

ITEM	PART NO.	DESCRIPTION
101	10-19599	1/2" NC NYLON LOCKNUT GR 2 PLTD
102	10-28449	1/4" NC NYLON LOCKNUT PLTD
103	10-19598	7/16" NC NYLON LOCKNUT GR 2 PLTD
104	10-19594	1/4" NC SERRATED FLANGE NUT PLTD
105	9900683	1/4" FLAT WASHER PLT
106	10-19604	3/8" LOCK WASHER PLTD
107	10-19147	1/4" CABLE CLAMP
108	10-19542	7/16" X 1" NC BOLT GR5 PLTD
109	10-17182	7/16" TRACK WASHER

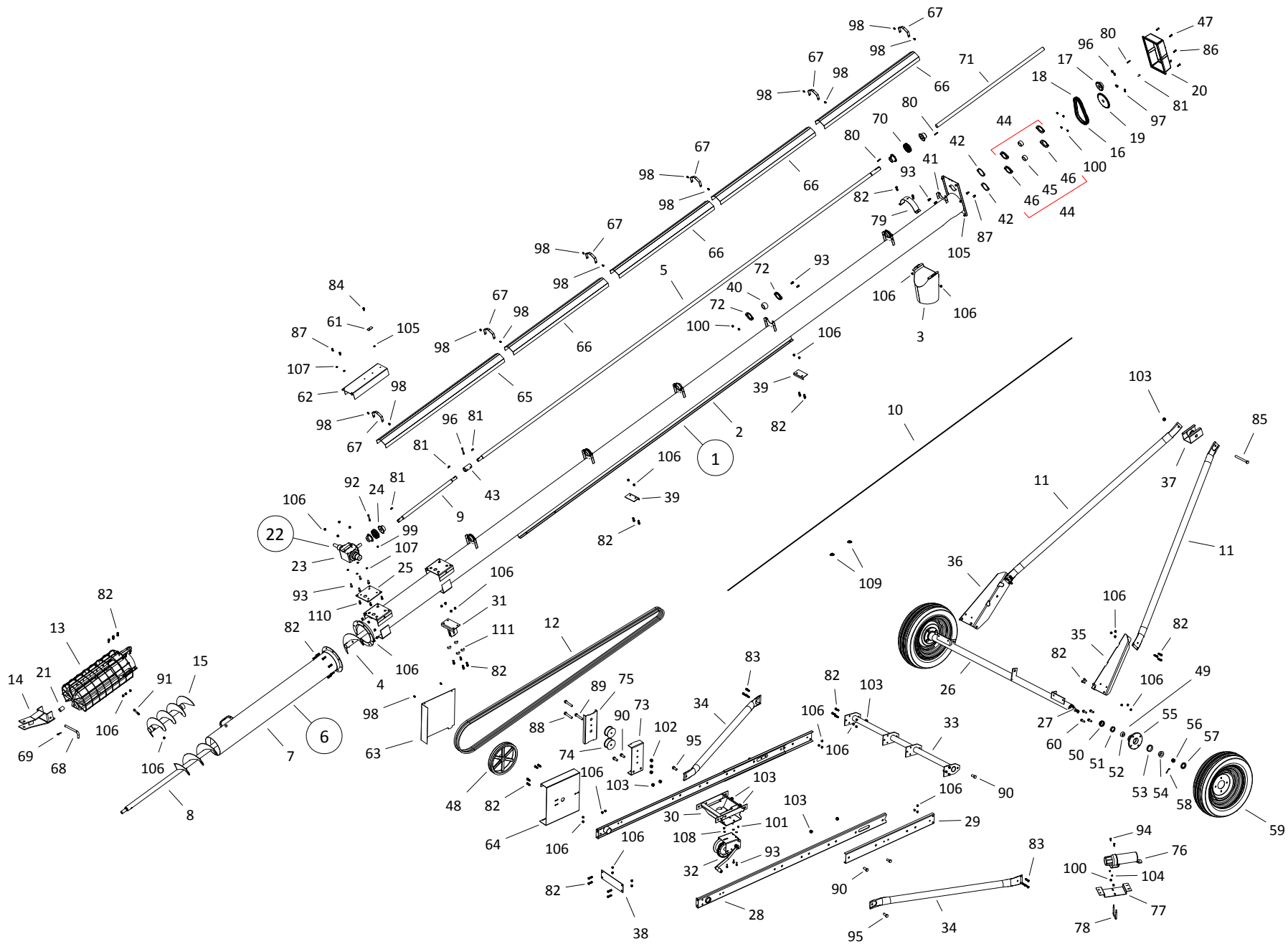


TFX2 AUGER 836

ITEM	PART NO.	DESCRIPTION
1	10-29760	TFX208-31/36 UPPER TUBE BUNDLE
2	10-29759	TFX208 X 31/36 UPPER TUBE WELD'T
3	10-29306	SPOUT, 8 INCH ROLLED
4	10-19402	W80 UPPER FLIGHT SECTION 4503123
5	10-29767	TFX2 X 31/36 UPPER LONG DS
6	10-29777	TFX208-36 LOWER TUBE BUNDLE #
7	10-27822	TF/TFX80-36 LOWER TUBE ONLY #
8	10-29732	TFX208/R8 36 LWR FLIGHT W/INTAKE FL
9	10-28986	TFX/TFX2 36 LOWER DRIVESHAFT
10	10-28201	TF/TFX36 WINCH CABLE
11	10-28947	TFX/TFX2 36 UPPER LIFT ARM
12	10-19479	B240 BELT
13	10-29726	TFX208/R8 INTAKE W/SHIELD,BUSHING
14	10-17123	WR CLEVIS
15	10-18920	MK80 BOOT FLIGHT SECTION
16	10-19432	60B37 ROLLER CHAIN W/CONNECTOR
17	10-17067	60B14 X 1-1/4 SPROCKET
18	10-19433	60B CHAIN CONNECTOR
19	10-19431	60B25 X 1 SPROCKET
20	10-17158	OIL COVER, WR80 HEAD
21	10-19149	P245 - 14MOD POROUS BRONZE BUSHING
22	10-28358	TF/TFX GEARBOX ASSEMBLY
23	10-19473	GEARBOX (PAINTED WHEATHEART RED)
24	10-17592	FLEX COUPLER 0310008
25	10-19633	BD GEARBOX PLATE 4503010
26	10-28935	TFX/TFX2 31/36 AXLE
27	10-19263	REPLACEMENT SPINDLE
28	10-28933	TFX/TFX2 UPPER CHANNEL
29	10-28937	TFX/TFX2 31/36 LOWER CHANNEL
30	10-28934	TFX/TFX2 WINCH MOUNT
31	10-27862	TF/TFX CABLE RETURN
32	10-19152	K1550 0301 BRAKE WINCH
33	10-27849	TF/TFX-31/36 SUB-AXLE
34	10-28941	TFX/TFX208-31/36 LOWER FRAME TUBE
35	10-28944	TFX/TFX2 BASE PLATE, RIGHT HAND
36	10-28945	TFX/TFX2 BASE PLATE, LEFT HAND
37	10-18763	J TRACK SHOE 4503053
38	10-28940	TFX/TFX2 UPPER CHANNEL BRACE
39	10-18762	J TRACK STOP
40	10-18691	WOOD BEARING
41	10-29739	R8/TFX208 SPROCKET BOX TAB
42	10-17168	GASKET
43	10-19119	1 DRIVESHAFT CONNECTR 4503149
44	10-19322	1-1/4 2 HOLE FLANGE BEARING
45	10-18853	EFH206-20 BEARING
46	10-18695	62MST ZP FLANGE PLATED FINISH
47	10-17179	3/8 OIL BATH PLUG
48	10-19613	12.7" X 1" DOUBLE B GROOVE PULLEY
49	10-19467	HA411Z HUB ASSEMBLY
50	10-19264	SEAL

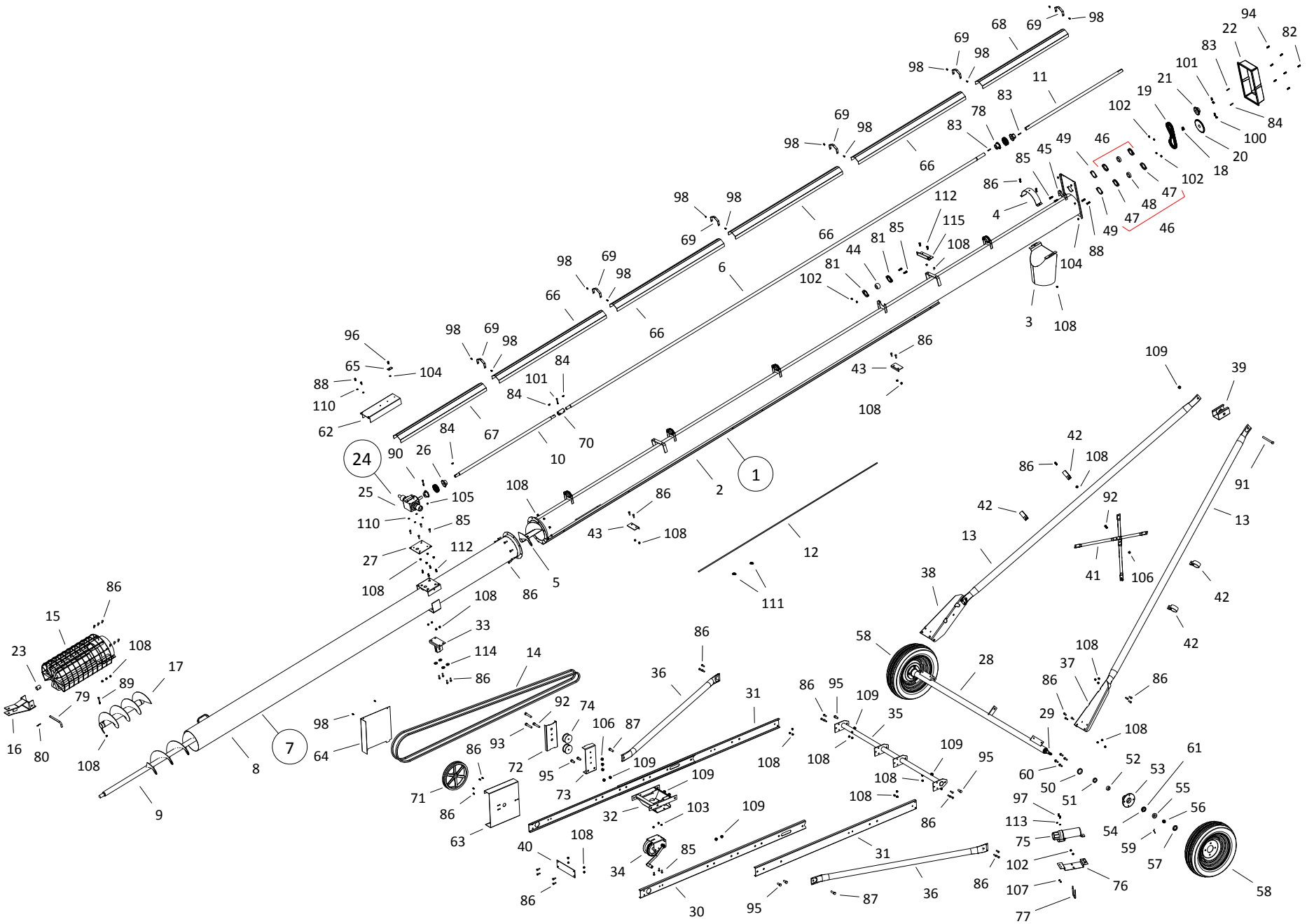
TFX2 AUGER 836

ITEM	PART NO.	DESCRIPTION
51	10-19265	LARGE BEARING, TIMKEN #LM67048
52	10-19266	LARGE CUP, TIMKEN #LM67010
53	10-19269	SMALL BEARING, TIMKEN #LM11949
54	10-19268	SMALL CUP, TIMKEN #LM11910
55	10-19267	HUB W/ CAPS
56	10-19270	SLOTTED NUT, 3/4" - 16
57	10-19272	DUST CAP
58	10-19271	COTTER PIN, 1/8" X 1-1/2"
59	10-19261	15 X 4.5 X 4 BOLT WHEEL BLACK
60	10-20565	1/2" X 1" WHEEL BOLT (BLACK)
61	10-19627	DSG ATTACH PLATE
62	10-19626	SHIELD, FLEX COUPLER 4503063
63	10-28914	UPPER SHIELD FACE
64	10-28913	UPPER SHIELD BACKING PLATE
65	10-18829	SHIELD 60" DRIVEGUARD 4503061
66	10-19255	48 DRIVEGUARD SHIELD 4503060
67	10-19256	DSG STRAP 4503062
68	10-17181	CLEVIS PIN
69	10-17383	HAIR CLIP
70	10-19771	CHAIN COUPLER
71	10-29736	UPPER SHORT DRIVESHAFT, TFX2
72	10-18695	62MST ZP FLANGE PLATED FINISH
73	10-28964	IDLER BRACKET
74	10-28447	4" X 1/2" IDLER PULLEY (BLACK)
75	10-28965	TFX/TFX2 IDLER SHIELD
76	10-29755	WATERPROOF PLASTIC MANUAL HOLDER
77	10-29798	MANUAL HOLDER MOUNT, WESTFIELD
78	10-19610	3/8" X 2-1/2" U-BOLT PLTD
79	10-19460	W80 HALF CLAMP 10716
80	10-19606	KEY, 1/4" X 1-1/2" SQ 700615
81	10-19224	1/4" X 1" WOODRUFF KEY
82	10-18698	7/16" X 1-1/4" NC BOLT GR 8 PLTD
83	10-28744	7/16" X 1-1/2" NC BOLT GR 5 PLTD
84	10-19537	BOLT, 1/4" X 1/2" GR5
85	10-19591	5/8" X 6-1/2" NC BOLT GR 8 PLTD
86	10-19988	1/4" X 1" NC BOLT GR 2 PLTD
87	10-19540	3/8" X 3/4" NC BOLT GR 5 PLTD
88	10-19798	BOLT, 1/2" x 2-3/4" GR8 PLTD
89	10-17762	BOLT, 1/2" x 3" GR5 PLTD
90	10-19590	5/8" X 1-1/2" NC BOLT GR 8 PLTD
91	10-17747	7/16" X 2-1/2" NC BOLT GR8
92	10-17631	5/16" X 2-1/2" NC BOLT GR 2 PLTD.
93	10-18955	3/8" X 1" NC BOLT GR 5 PLTD
94	9900800	1/4" X 3/4" NC BOLT GR 5 PLTD
95	10-19991	5/8" X 2" NC BOLT GR 8 PLTD
96	10-19225	3/8"UNC-X3/8"SETSCREW REGULAR CUP
97	10-29118	SETSCREW, 3/8" X 3/4" GR8 SQ END
98	10-19274	#14 X 5/8" SMS AB GR 5 PLTD
99	10-19980	5/16" NC NYLON LOCKNUT PLTD
100	10-19596	3/8" NC SERRATED FLANGE NUT PLTD



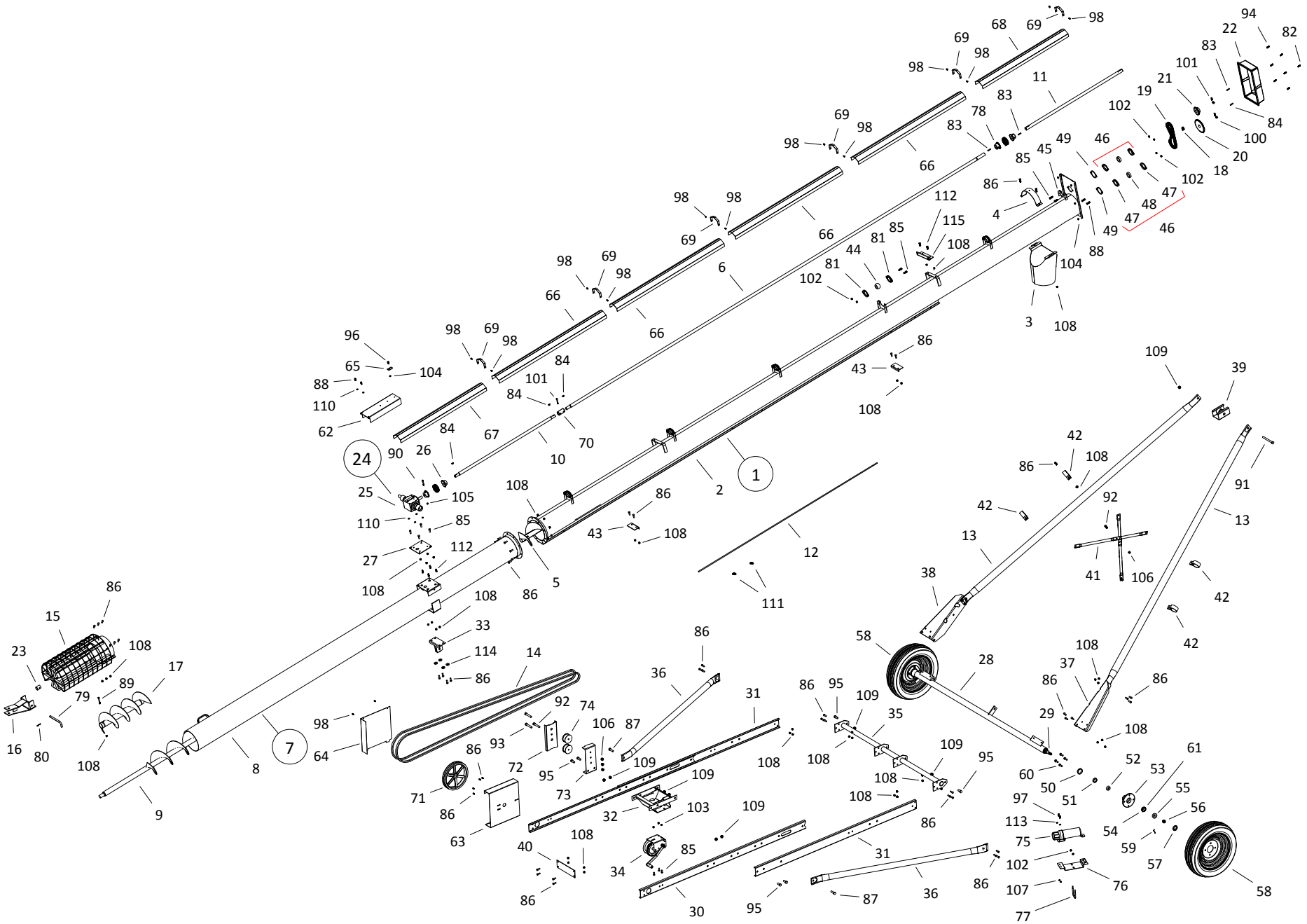
TFX2 AUGER 836

ITEM	PART NO.	DESCRIPTION
101	10-17402	3/8" NC NYLON LOCKNUT PLTD
102	10-19599	1/2" NC NYLON LOCKNUT GR 2 PLTD
103	10-19600	5/8" NC NYLON LOCKNUT PLTD
104	10-28449	1/4" NC NYLON LOCKNUT PLTD
105	10-19594	1/4" NC SERRATED FLANGE NUT PLTD
106	10-19598	7/16" NC NYLON LOCKNUT GR 2 PLTD
107	10-19604	3/8" LOCK WASHER PLTD
108	9900683	1/4" FLAT WASHER PLT
109	10-19147	1/4" CABLE CLAMP
110	10-19542	7/16" X 1" NC BOLT GR 5 PLTD
111	10-17182	7/16" TRACK WASHER



TFX2 AUGER 841

ITEM	PART NO.	DESCRIPTION
1	10-29762	TFX208-41/46/51 UPPER TUBE BUNDLE
2	10-29761	TFX208 X 41/46/51 UPPER TUBE ONLY
3	10-29306	SPOUT, 8 INCH ROLLED
4	10-19460	W80 HALF CLAMP 10716
5	10-19402	W80 UPPER FLIGHT SECTION 4503123
6	10-29737	UPPER LONG DRIVESHAFT, TFX2
7	10-29778	TFX208-41 LOWER TUBE BUNDLE #
8	10-27823	TF/TFX80-41 LOWER TUBE ONLY #
9	10-29733	TFX208/R8 41 LWR FLIGHT W/INTAKE FL
10	10-27900	TF80/100-41 & TFX80-41 LOWER DS
11	10-29736	UPPER SHORT DRIVESHAFT, TFX2
12	10-18824	J51/TF/TFX41 WINCH CABLE
13	10-28995	TFX/TFX2 41 UPPER LIFT TUBE
14	10-19479	B240 BELT
15	10-29726	TFX208/R8 INTAKE W/SHIELD,BUSHING
16	10-17123	WR CLEVIS
17	10-18920	MK80 BOOT FLIGHT SECTION
18	10-19433	#60 CONNECTOR LINK
19	10-19432	#60 - 1R X 37P ROLLER CHAIN
20	10-19431	60B25 X 1 SPROCKET
21	10-17067	60B14 X 1-1/4" SPROCKET
22	10-17158	OIL COVER, WR80 HEAD
23	10-19149	P245 - 14MOD POROUS BRONZE BUSHING
24	10-28358	TF/TFX GEARBOX ASSEMBLY
25	10-19473	GEARBOX (PAINTED WHEATHEART RED)
26	10-17592	FLEX COUPLER 0310008
27	10-19633	BD GEARBOX PLATE 4503010
28	10-28936	TFX/TFX2 41/51 AXLE
29	10-19263	REPLACEMENT SPNIDLE
30	10-28933	TFX/TFX2 UPPER CHANNEL
31	10-28939	TFX/TFX2 41/51 LOWER CHANNEL
32	10-28934	TFX/TFX2 WINCH MOUNT
33	10-27862	TF/TFX CABLE RETURN
34	10-19152	K1550 0301 BRAKE WINCH
35	10-27841	TF/TFX-41/46/51 SUB-AXLE
36	10-28943	TFX/TFX2 41/51 LOWER FRAME TUBE
37	10-28944	TFX/TFX2 BASE PLATE, RIGHT HAND
38	10-28945	TFX/TFX2 BASE PLATE, LEFT HAND
39	10-18763	J TRACK SHOE 4503053
40	10-28940	TFX/TFX2 UPPER CHANNEL BRACE
41	10-27263	WC1335 UPPER CROSS BRACE
42	10-19797	3" FRAME BRACE CLAMP
43	10-18762	TRACK STOP
44	10-18691	WOOD BEARING
45	10-29739	R8/TFX208 SPROCKET BOX TAB
46	10-19322	1-1/4 2 HOLE FLANGE BEARING
47	10-18695	62MST ZP FLANGE PLATED FINISH
48	10-18853	EFH206-20 BEARING
49	10-17168	GASKET
50	10-19264	SEAL

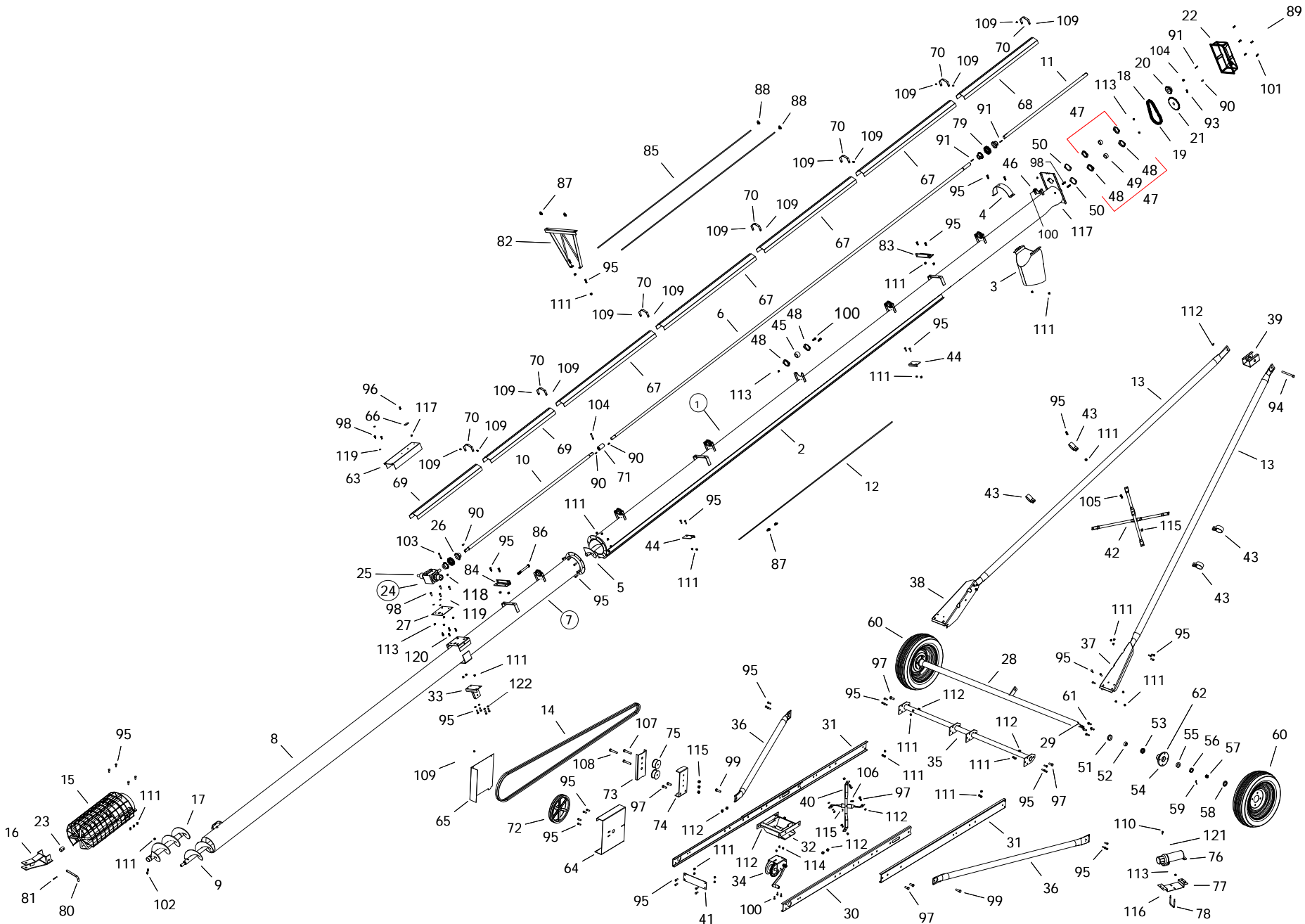


TFX2 AUGER 841

ITEM	PART NO.	DESCRIPTION
51	10-19265	LARGE BEARING, TIMKEN #LM67048
52	10-19266	LARGE CUP, TIMKEN #LM67010
53	10-19267	HUB WITH CUPS
54	10-19268	SMALL CUP, TIMKEN #LM11910
55	10-19269	SMALL BEARING, TIMKEN #LM11949
56	10-19270	3/4" NF SLOTTED NUT PLAIN
57	10-19272	DUST CAP
58	10-19261	15 X 4.5 X 4 BOLT WHEEL BLACK
59	10-19271	1/8" X 1-1/2" COTTER PIN PLAIN
60	10-20565	1/2" X 1" WHEEL BOLT (BLACK)
61	10-19467	HA411Z HUB ASSEMBLY
62	10-19626	SHIELD, FLEX COUPLER 4503063
63	10-28913	UPPER SHIELD BACKING PLATE
64	10-28914	UPPER SHIELD FACE
65	10-19627	DSG ATTACH PLATE
66	10-18829	SHIELD 60" DRIVEGUARD 4503061
67	10-19255	48 DRIVEGUARD SHIELD 4503060
68	10-19254	42" DRIVEGUARD SHIELD 4503220
69	10-19256	DSG STRAP 4503062
70	10-19119	1" DRIVESHAFT CONNECTOR
71	10-19613	12.7" X 1" DOUBLE B GROOVE PULLEY
72	10-28965	TFX/TFX2 IDLER SHIELD
73	10-28964	TFX/TFX2 IDLER BRACKET
74	10-28447	4" X 1/2" IDLER PULLEY (BLACK)
75	10-29755	WATERPROOF PLASTIC MANUAL HOLDER
76	10-29798	MANUAL HOLDER MOUNT, WESTFIELD
77	10-19610	3/8" X 2-1/2" U-BOLT PLTD
78	10-19771	1-1/4" CHAIN COUPLER
79	10-17181	CLEVIS PIN
80	10-17383	3610 GRIP CLIP
81	10-18695	62MST ZP FLANGE PLATED FINISH
82	10-17179	3/8 OIL BATH PLUG
83	10-19606	KEY, 1/4" X 1-1/2" SQ 700615
84	10-19224	1/4" X 1" WOODRUFF KEY
85	10-18955	3/8" X 1" NC BOLT GR 5 PLTD
86	10-18698	7/16" X 1-1/4" NC BOLT GR 8 PLTD
87	10-19991	5/8" X 2" NC BOLT GR 8 PLTD
88	10-19540	3/8" X 3/4" NC BOLT GR 5 PLTD
89	10-17747	7/16" X 2-1/2" NC BOLT GR8
90	10-17631	5/16" X 2-1/2" NC BOLT GR 2 PLTD.
91	10-19591	5/8" X 6-1/2" NC BOLT GR 8 PLTD
92	10-17762	1/2" X 3" NC BOLT GR 5 PLTD
93	10-19798	1/2" X 2-3/4" NC BOLT GR 8 PLTD
94	10-19988	1/4" X 1" NC BOLT GR 2 PLTD
95	10-19590	5/8" X 1-1/2" NC BOLT GR 8 PLTD
96	10-19537	BOLT, 1/4" X 1/2" GR5
97	9900800	1/4" X 3/4" NC BOLT GR 5 PLTD
98	10-19274	#14 X 5/8" SMS AB GR 5 PLTD
100	10-29118	SETSCREW, 3/8" X 3/4" GR8 SQ END
101	10-19225	3/8"UNC-X3/8"SETSCREW REGULAR CUP

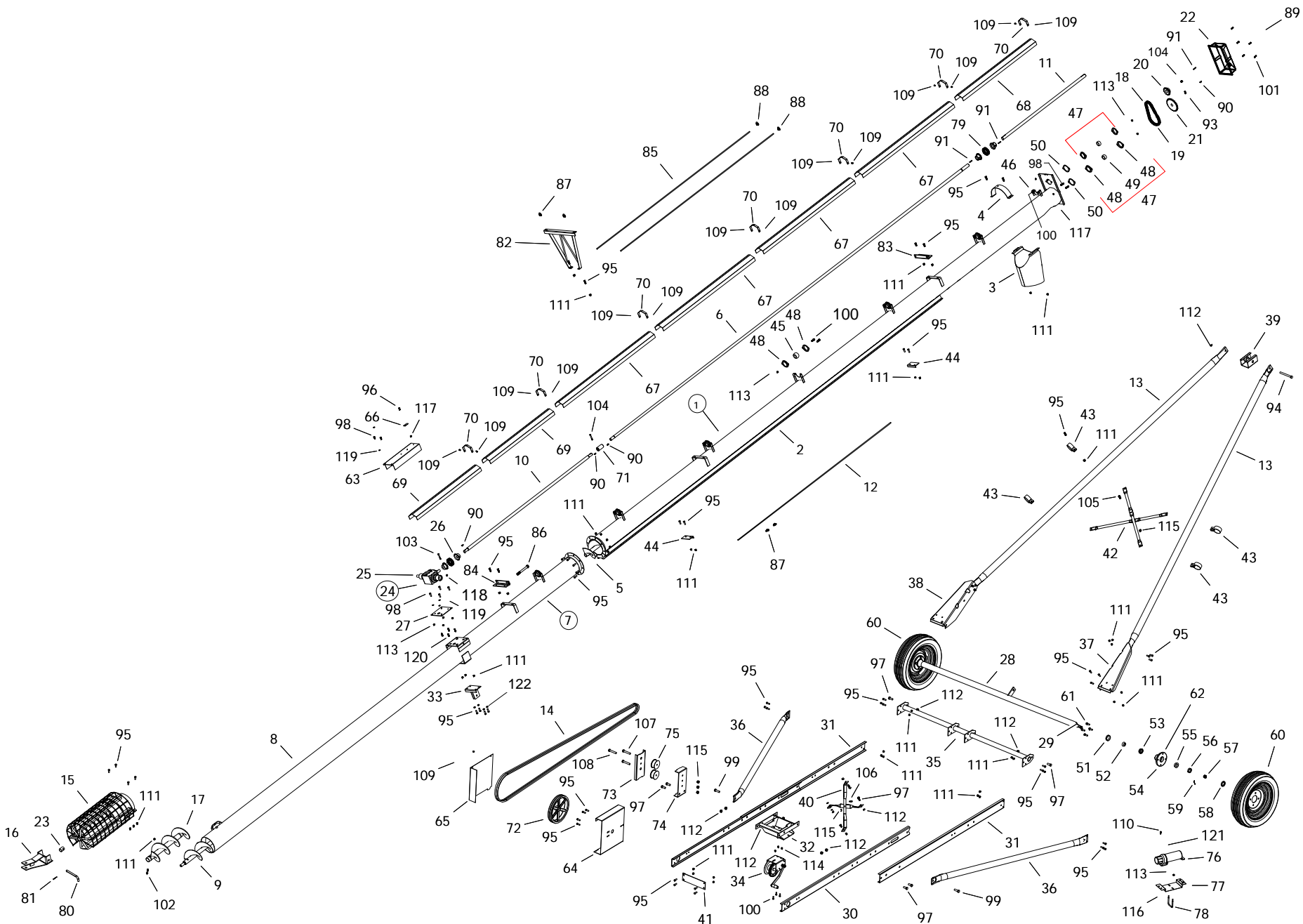
TFX2 AUGER 841

ITEM	PART NO.	DESCRIPTION
102	10-19596	3/8" NC SERRATED FLANGE NUT PLTD
103	10-17402	3/8" NC NYLON LOCKNUT PLTD
104	10-19594	1/4" NC SERRATED FLANGE NUT PLTD
105	10-19980	5/16" NC NYLON LOCKNUT PLTD
106	10-19599	1/2" NC NYLON LOCKNUT GR 2 PLTD
107	10-28449	1/4" NC NYLON LOCKNUT PLTD
108	10-19598	7/16" NC NYLON LOCKNUT GR 2 PLTD
109	10-19600	5/8" NC NYLON LOCKNUT PLTD
110	10-19604	3/8" LOCK WASHER PLTD
111	10-19147	1/4" CABLE CLAMP
112	10-19542	7/16" X 1" NC BOLT GR 5 PLTD
113	9900683	1/4" FLAT WASHER PLTD
114	10-17182	7/16" TRACK WASHER
115	10-27863	CABLE ANCHOR



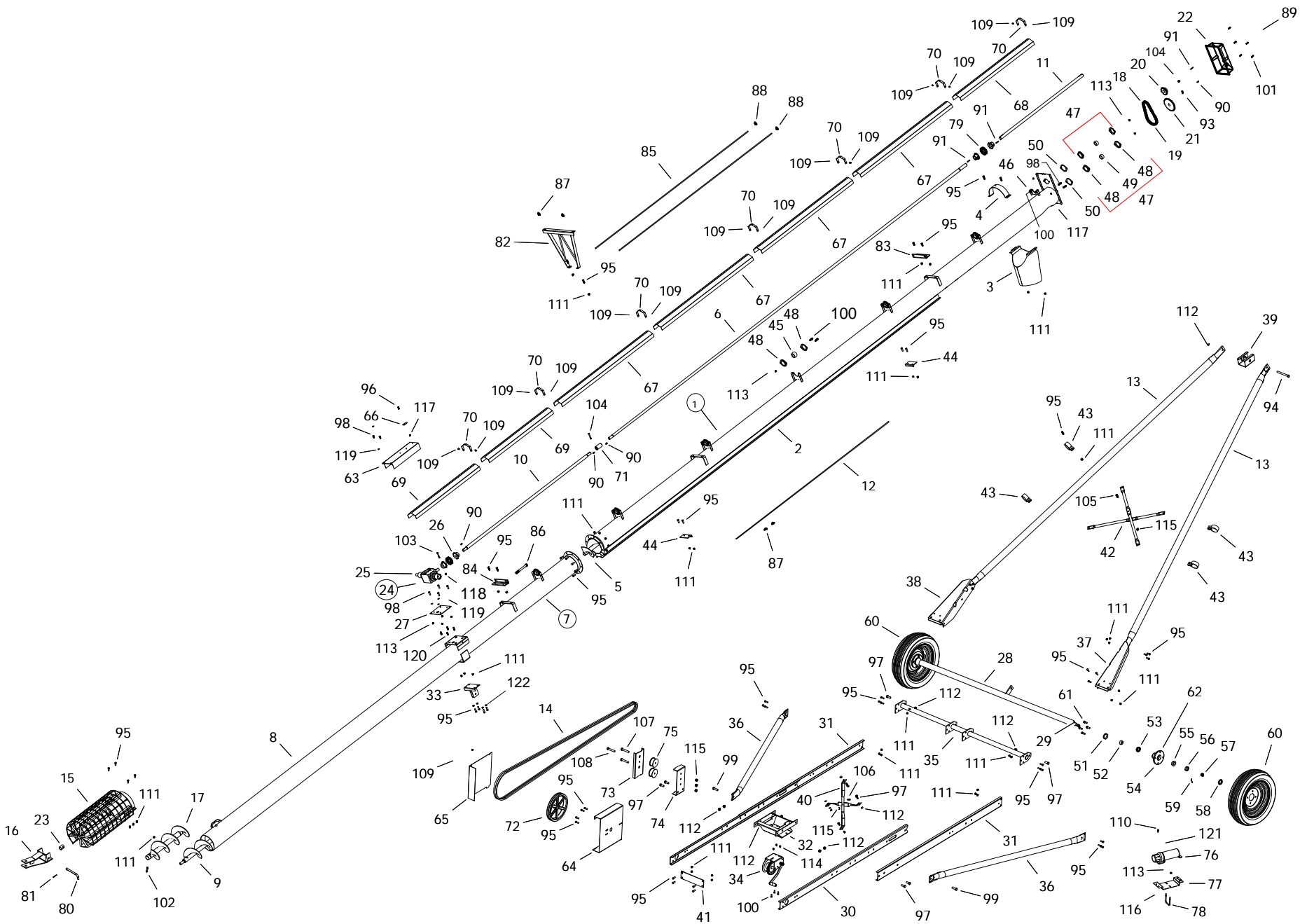
TFX2 AUGER 846

ITEM	PART NO.	DESCRIPTION
1	10-29762	TFX208-41/46/51 UPPER TUBE BUNDLE
2	10-29761	TFX208 X 41/46/51 UPPER TUBE ONLY
3	10-29306	SPOUT, 8 INCH ROLLED
4	10-19460	W80 HALF CLAMP 10716
5	10-19402	W80 UPPER FLIGHT SECTION 4503123
6	10-29737	UPPER LONG DRIVESHAFT, TFX2
7	10-29779	TFX208-46 LOWER TUBE BUNDLE #
8	10-27825	TF/TFX80-46 LOWER TUBE ONLY #
9	10-29734	TFX208/R8 46 LWR FLGT W/INTAKE FLGT
10	10-27901	TF/TFX80-46 LOWER DRIVESHAFT
11	10-29736	UPPER SHORT DRIVESHAFT, TFX2
12	10-27963	TF/TFX46 WINCH CABLE - 1/4" X 55'
13	10-27877	TF/TFX80-46 UPPER LIFT ARM
14	10-19480	B270 BELT
15	10-29726	TFX208/R8 INTAKE W/SHIELD,BUSHING
16	10-17123	WR CLEVIS
17	10-18920	MK80 BOOT FLIGHT SECTION
18	10-19433	#60 CONNECTOR LINK
19	10-19432	60B37 ROLLER CHAIN W/ CONNECTOR
20	10-17067	60B14 X 1-1/4 SPROCKET
21	10-19431	60B25 X 1 SPROCKET
22	10-17158	OIL COVER, WR80 HEAD
23	10-19149	P245 - 14MOD POROUS BRONZE BUSHING
24	10-28358	TF/TFX GEARBOX ASSEMBLY
25	10-19473	GEARBOX (PAINTED WHEATHEART RED)
26	10-17592	FLEX COUPLER 0310008
27	10-19633	BD GEARBOX PLATE 4503010
28	10-28936	TFX/TFX2 41/51 AXLE
29	10-19263	REPLACEMENT SPINDLE
30	10-28933	TFX/TFX2 UPPER CHANNEL
31	10-28939	TFX/TFX2 41/51 LOWER CHANNEL
32	10-28934	TFX/TFX2 WINCH MOUNT
33	10-27862	TF/TFX CABLE RETURN
34	10-19152	K1550 0301 BRAKE WINCH
35	10-27841	TF/TFX-41/46/51 SUB-AXLE
36	10-28943	TFX/TFX2 41/51 LOWER FRAME TUBE
37	10-28944	TFX/TFX2 BASE PLATE, RIGHT HAND
38	10-28945	TFX/TFX2 BASE PLATE, LEFT HAND
39	10-18763	J TRACK SHOE 4503053
40	10-28950	TFX/TFX2 46 FRAME CROSS BRACE
41	10-28940	TFX/TFX2 UPPER CHANNEL BRACE
42	10-27263	WC1335 UPPER CROSS BRACE
43	10-19797	3" FRAME BRACE CLAMP
44	10-18762	TRACK STOP
45	10-18691	WOOD BEARING
46	10-29739	R8/TFX208 SPROCKET BOX TAB
47	10-19322	1-1/4 2 HOLE FLANGE BEARING
48	10-18695	62MST ZP FLANGE PLATED FINISH
49	10-18853	EFH206-20 BEARING
50	10-17168	GASKET



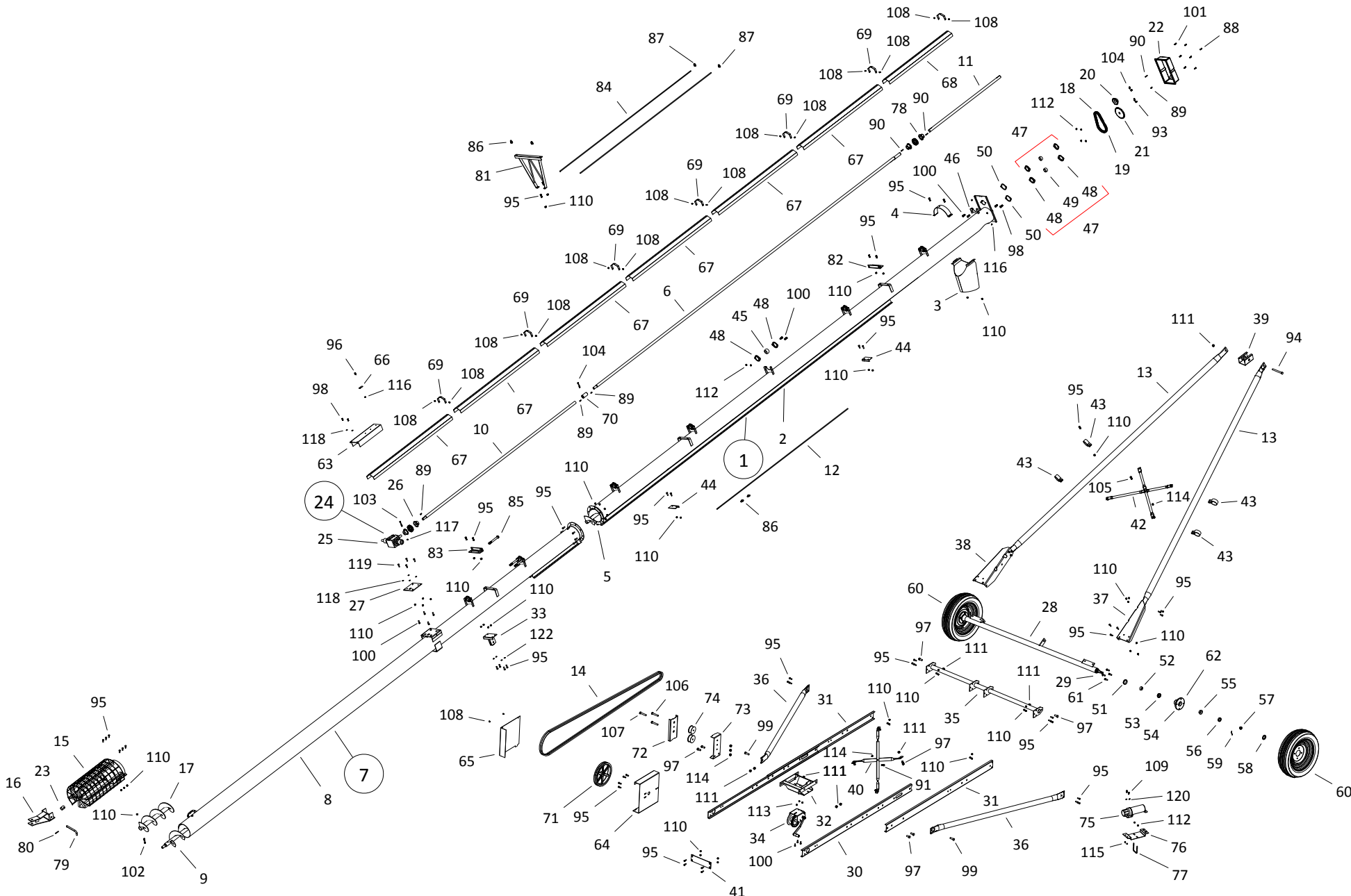
TFX2 AUGER 846

ITEM	PART NO.	DESCRIPTION
51	10-19264	SEAL
52	10-19265	LARGE BEARING, TIMKEN # LM67048
53	10-19266	LARGE CUP, TIMKEN # LM67010
54	10-19267	HUB WITH CUPS
55	10-19268	SMALL CUP, TUMKEN # LM11910
56	10-19269	SMALL BEARING, TIMKEN # LM11949
57	10-19270	3/4" NF SLOTTED NUT PLAIN
58	10-19272	DUST CAP
59	10-19271	1/8" X 1-1/2" COTTER PIN PLAIN
60	10-19261	15 X 4.5 X 4 BOLT WHEEL BLACK
61	10-20565	1/2" X 1" WHEEL BOLT (BLACK)
62	10-19467	HA411Z HUB ASSEMBLY
63	10-19626	SHIELD, FLEX COUPLER 4503063
64	10-28913	UPPER SHIELD BACKING PLATE
65	10-28914	UPPER SHIELD FACE
66	10-19627	DSG ATTACH PLATE
67	10-18829	SHIELD 60" DRIVEGUARD 4503061
68	10-19255	48 DRIVEGUARD SHIELD 4503060
69	10-19254	42 DRIVEGUARD SHIELD 4503220
70	10-19256	DSG STRAP 4503062
71	10-19119	1" DRIVESHAFT CONNECTOR
72	10-19613	12.7" X 1" DOUBLE B GROOVE PULLEY
73	10-28965	TFX/TFX2 IDLER SHIELD
74	10-28964	TFX/TFX2 IDLER BRACKET
75	10-28447	4" X 1/2" IDLER PULLEY (BLACK)
76	10-29755	WATERPROOF PLASTIC MANUAL HOLDER
77	10-29798	MANUAL HOLDER MOUNT, WESTFIELD
78	10-19610	3/8" X 2-1/2" U-BOLT PLTD
79	10-19771	1-1/4" CHAIN COUPLER
80	10-17181	CLEVIS PIN
81	10-17383	3610 GRIP CLIP
82	10-19324	REGULAR TRUSS BRACKET
83	10-27863	TF/TFX CABLE ANCHOR
84	10-27960	TF/TFX TRUSS CABLE ANCHOR BTM
85	10-27965	TF/TFX46 TRUSS CABLE
86	10-19331	1/2" EYEBOLT
87	10-19147	1/4" CABLE CLAMP
88	10-19333	5/16" CABLE CLAMP (YELLOW ZINC)
89	10-17179	3/8 OIL BATH PLUG
90	10-19224	1/4" X 1" WOODRUFF KEY
91	10-19606	KEY, 1/4" X 1-1/2" SQ 700615
93	10-29118	SETSCREW, 3/8" X 3/4" GR8 SQ END
94	10-19591	5/8" X 6-1/2" NC BOLT GR 8 PLTD
95	10-18698	7/16" X 1-1/4" NC BOLT GR 8 PLTD
96	10-19537	BOLT, 1/4" X 1/2" GR5
97	10-19590	5/8" X 1-1/2" NC BOLT GR 8 PLTD
98	10-19540	3/8" X 3/4" NC BOLT GR 5 PLTD
99	10-19991	5/8" X 2" NC BOLT GR 8 PLTD
100	10-18955	3/8" X 1" NC BOLT GR 5 PLTD
101	10-19988	1/4" X 1" NC BOLT GR 2 PLTD



TFX2 AUGER 846

ITEM	PART NO.	DESCRIPTION
102	10-17747	7/16" X 2-1/2" NC BOLT GR 8
103	10-17631	5/16" X 2-1/2" NC BOLT GR 2 PLTD.
104	10-19225	3/8"UNC-X3/8"SETSCREW REGULAR CUP
105	10-19588	1/2" X 1-1/4" NC BOLT GR 5 PLTD
106	10-19589	1/2" X 1-1/2" NC BOLT GR5 PLTD
107	10-19798	1/2" X 2-3/4" NC BOLT GR 8 PLTD
108	10-17762	1/2" X 3" NC BOLT GR 5 PL
109	10-19274	#14 X 5/8" SMS AB GR 5 PLTD
110	9900800	1/4" X 3/4" NC BOLT GR 5 PLTD
111	10-19598	7/16" NC NYLON LOCKNUT GR 2 PLTD
112	10-19600	5/8" NC NYLON LOCKNUT PLTD
113	10-19596	3/8" NC SERRATED FLANGE NUT PLTD
114	10-17402	3/8" NC NYLON LOCKNUT PLTD
115	10-19599	1/2" NC NYLON LOCKNUT GR 2 PLTD
116	10-28449	1/4" NC NYLON LOCKNUT PLTD
117	10-19594	1/4" NC SERRATED FLANGE NUT PLTD
118	10-19980	5/16" NC NYLON LOCKNUT PLTD
119	10-19604	3/8" LOCK WASHER PLTD
120	10-19542	7/16" X 1" NC BOLT GR 5 PLTD
121	9900683	1/4" FLAT WASHER PLTD
122	10-17182	7/16" TRACK WASHER



TFX2 AUGER 851

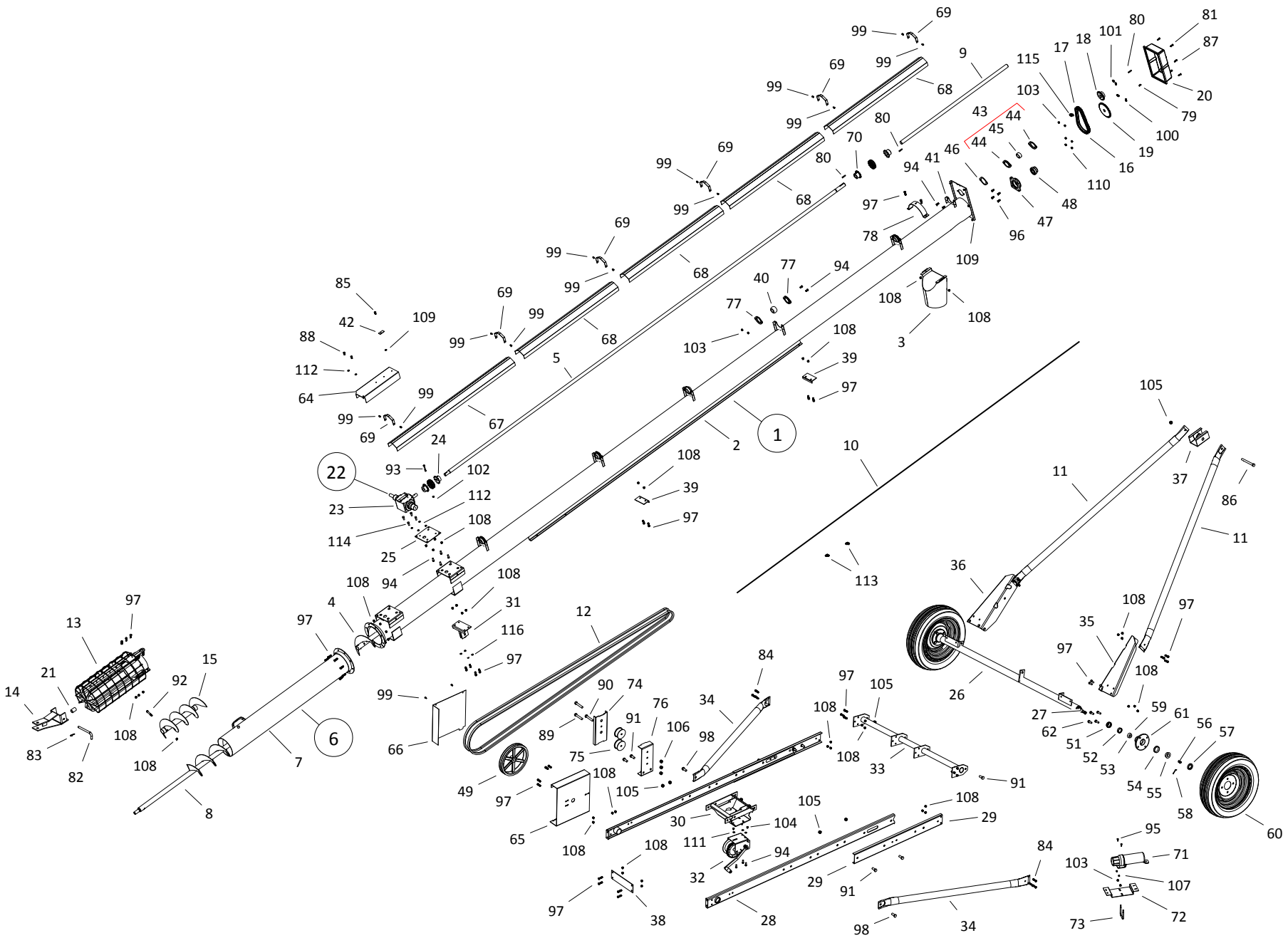
ITEM	PART NO.	DESCRIPTION
1	10-29762	TFX208-41/46/51 UPPER TUBE BUNDLE
2	10-29761	TFX208 X 41/46/51 UPPER TUBE ONLY
3	10-29306	SPOUT, 8 INCH ROLLED
4	10-19460	W80 HALF CLAMP 10716
5	10-19402	W80 UPPER FLIGHT SECTION 4503123
6	10-29737	UPPER LONG DRIVESHAFT, TFX2
7	10-29780	TFX208-51 LOWER TUBE BUNDLE
8	10-28958	TFX80-51 LOWER TUBE ONLY #
9	10-29735	TFX208/R8 51 LWR FLIGHT W/INTAKE FL
10	10-28954	TFX/TFX2 8X51 LOWER DRIVESHAFT
11	10-29736	UPPER SHORT DRIVESHAFT, TFX2
12	10-27964	TF/TFX51 WINCH CABLE
13	10-27876	TF/TFX80-51 UPPER LIFT ARM
14	10-18689	B300 BELT
15	10-29726	TFX208/R8 INTAKE W/SHIELD,BUSHING
16	10-17123	WR CLEVIS
17	10-18920	MK80 BOOT FLIGHT SECTION
18	10-19433	#60 CONNECTOR LINK
19	10-19432	60B37 ROLLER CHAIN W/ CONNECTOR
20	10-17067	60B14 X 1-1/4 SPROCKET
21	10-19431	60B25 X 1 SPROCKET
22	10-17158	OIL COVER, WR80 HEAD
23	10-19149	P245 - 14MOD POROUS BRONZE BUSHING
24	10-28358	TF/TFX GEARBOX ASSEMBLY
25	10-19473	GEARBOX (PAINTED WHEATHEART RED)
26	10-17592	FLEX COUPLER 0310008
27	10-19633	BD GEARBOX PLATE 4503010
28	10-28936	TFX/TFX2 41/51 AXLE
29	10-19263	REPLACEMENT SPINDLE
30	10-28933	TFX/TFX2 UPPER CHANNEL
31	10-28939	TFX/TFX2 41/51 LOWER CHANNEL
32	10-28934	TFX/TFX2 WINCH MOUNT
33	10-27862	TF/TFX CABLE RETURN
34	10-19152	K1550 0301 BRAKE WINCH
35	10-27841	TF/TFX-41/46/51 SUB-AXLE
36	10-28943	TFX/TFX2 41/51 LOWER FRAME TUBE
37	10-28944	TFX/TFX2 BASE PLATE, RIGHT HAND
38	10-28945	TFX/TFX2 BASE PLATE, LEFT HAND
39	10-18763	J TRACK SHOE 4503053
40	10-28951	TFX/TFX2 51 FRAME CROSS BRACE
41	10-28940	TFX/TFX2 UPPER CHANNEL BRACE
42	10-27263	WC1335 UPPER CROSS BRACE
43	10-19797	3" FRAME BRACE CLAMP
44	10-18762	TRACK STOP
45	10-18691	WOOD BEARING
46	10-29739	R8/TFX208 SPROCKET BOX TAB
47	10-19322	1-1/4 2 HOLE FLANGE BEARING
48	10-18695	62MST ZP FLANGE PLATED FINISH
49	10-18853	EFH206-20 BEARING
50	10-17168	GASKET

TFX2 AUGER 851

ITEM	PART NO.	DESCRIPTION
51	10-19264	SEAL
52	10-19265	LARGE BEARING, TIMKEN # LM67048
53	10-19266	LARGE CUP, TIMKEN # LM67010
54	10-19267	HUB WITH CUPS
55	10-19268	SMALL CUP, TUMKEN # LM11910
56	10-19269	SMALL BEARING, TIMKEN # LM11949
57	10-19270	3/4" NF SLOTTED NUT PLAIN
58	10-19272	DUST CAP
59	10-19271	1/8" X 1-1/2" COTTER PIN PLAIN
60	10-19261	15 X 4.5 X 4 BOLT WHEEL BLACK
61	10-20565	1/2" X 1" WHEEL BOLT (BLACK)
62	10-19467	HA411Z HUB ASSEMBLY
63	10-19626	SHIELD, FLEX COUPLER 4503063
64	10-28913	UPPER SHIELD BACKING PLATE
65	10-28914	UPPER SHIELD FACE
66	10-19627	DSG ATTACH PLATE
67	10-18829	SHIELD 60" DRIVEGUARD 4503061
68	10-19255	48 DRIVEGUARD SHIELD 4503060
69	10-19256	DSG STRAP
70	10-19119	1" DS CONNECTOR
71	10-19613	12.7" X 1" DOUBLE B GROOVE PULLEY
72	10-28965	TFX/TFX2 IDLER SHIELD
73	10-28964	TFX/TFX2 IDLER BRACKET
74	10-28447	4" X 1/2" IDLER PULLEY (BLACK)
75	10-29755	WATERPROOF PLASTIC MANUAL HOLDER
76	10-29798	MANUAL HOLDER MOUNT, WESTFIELD
77	10-19610	3/8" X 2-1/2" U-BOLT PLTD
78	10-19771	1-1/4" CHAIN COUPLER
79	10-17181	CLEVIS PIN
80	10-17383	3610 GRIP CLIP
81	10-19324	REGULAR TRUSS BRACKET
82	10-27863	TF/TFX CABLE ANCHOR
83	10-27960	TF/TFX TRUSS CABLE ANCHOR BTM
84	10-18042	MK51 LIFT CABLE
85	10-19331	1/2" EYEBOLT
86	10-19147	1/4" CABLE CLAMP
87	10-19333	5/16" CABLE CLAMP (YELLOW ZINC)
88	10-17179	3/8 OIL BATH PLUG
89	10-19224	1/4" X 1" WOODRUFF KEY
90	10-19606	KEY, 1/4" X 1-1/2" SQ 700615
91	10-19589	1/2" X 1-1/2" NC BOLT GR 5 PLTD
93	10-29118	SETSCREW, 3/8" X 3/4" GR8 SQ END
94	10-19591	5/8" X 6-1/2" NC BOLT GR 8 PLTD
95	10-18698	7/16" X 1-1/4" NC BOLT GR 8 PLTD
96	10-19537	BOLT, 1/4" X 1/2" GR5
97	10-19590	5/8" X 1-1/2" NC BOLT GR 8 PLTD
98	10-19540	3/8" X 3/4" NC BOLT GR 5 PLTD
99	10-19991	5/8" X 2" NC BOLT GR 8 PLTD
100	10-18955	3/8" X 1" NC BOLT GR 5 PLTD
101	10-19988	1/4" X 1" NC BOLT GR 2 PLTD

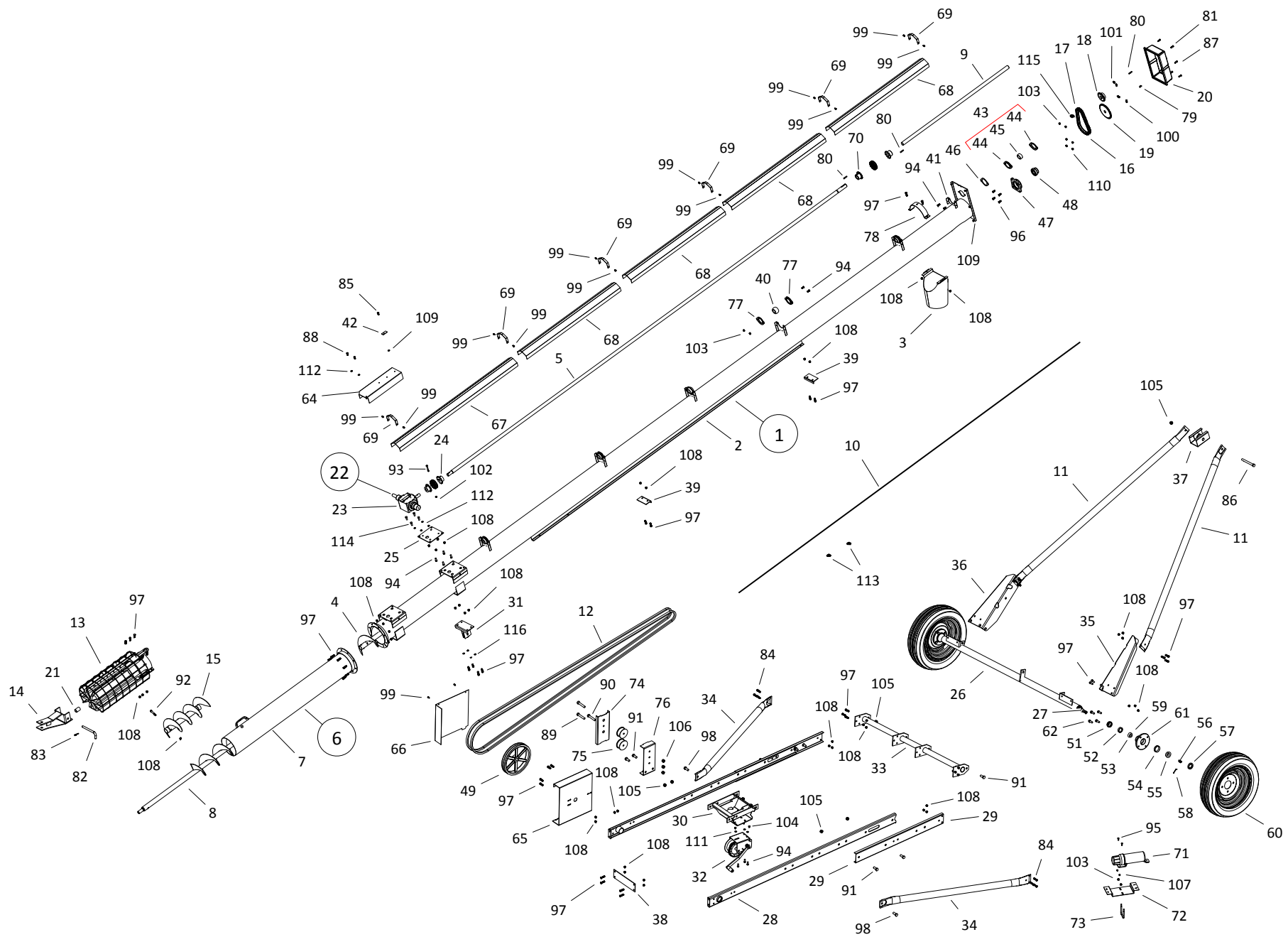
TFX2 AUGER 851

ITEM	PART NO.	DESCRIPTION
102	10-17747	7/16" X 2-1/2" NC BOLT
103	10-17631	5/16" X 2-1/2" NC BOLT GR 2 PLTD.
104	10-19225	3/8"UNC-X3/8"SETSCREW REGULAR CUP
105	10-19588	1/2" X 1-1/4" NC BOLT GR 5 PLTD
106	10-19798	1/2" X 2-3/4" NC BOLT GR 8 PLTD
107	10-17762	1/2" X 3" NC BOLT GR 5 PLTD
108	10-19274	#14 X 5/8" SMS AB GR 5 PLTD
109	9900800	1/4" X 3/4" NC BOLT GR 5 PLTD
110	10-19598	7/16" NC NYLON LOCKNUT GR 2 PLTD
111	10-19600	5/8" NC NYLON LOCKNUT PLTD
112	10-19596	3/8" NC SERRATED FLANGE NUT PLTD
113	10-17402	3/8" NC NYLON LOCKNUT PLTD
114	10-19599	1/2" NC NYLON LOCKNUT GR 2 PLTD
115	10-28449	1/4" NC NYLON LOCKNUT PLTD
116	10-19594	1/4" NC SERRATED FLANGE NUT PLTD
117	10-19980	5/16" NC NYLON LOCKNUT PLTD
118	10-19604	3/8" LOCK WASHER PLTD
119	10-19542	7/16" X 1" NC BOLT GR 5 PLTD
120	9900683	1/4" FLAT WASHER PLTD
122	10-17182	7/16 TRACK WASHER



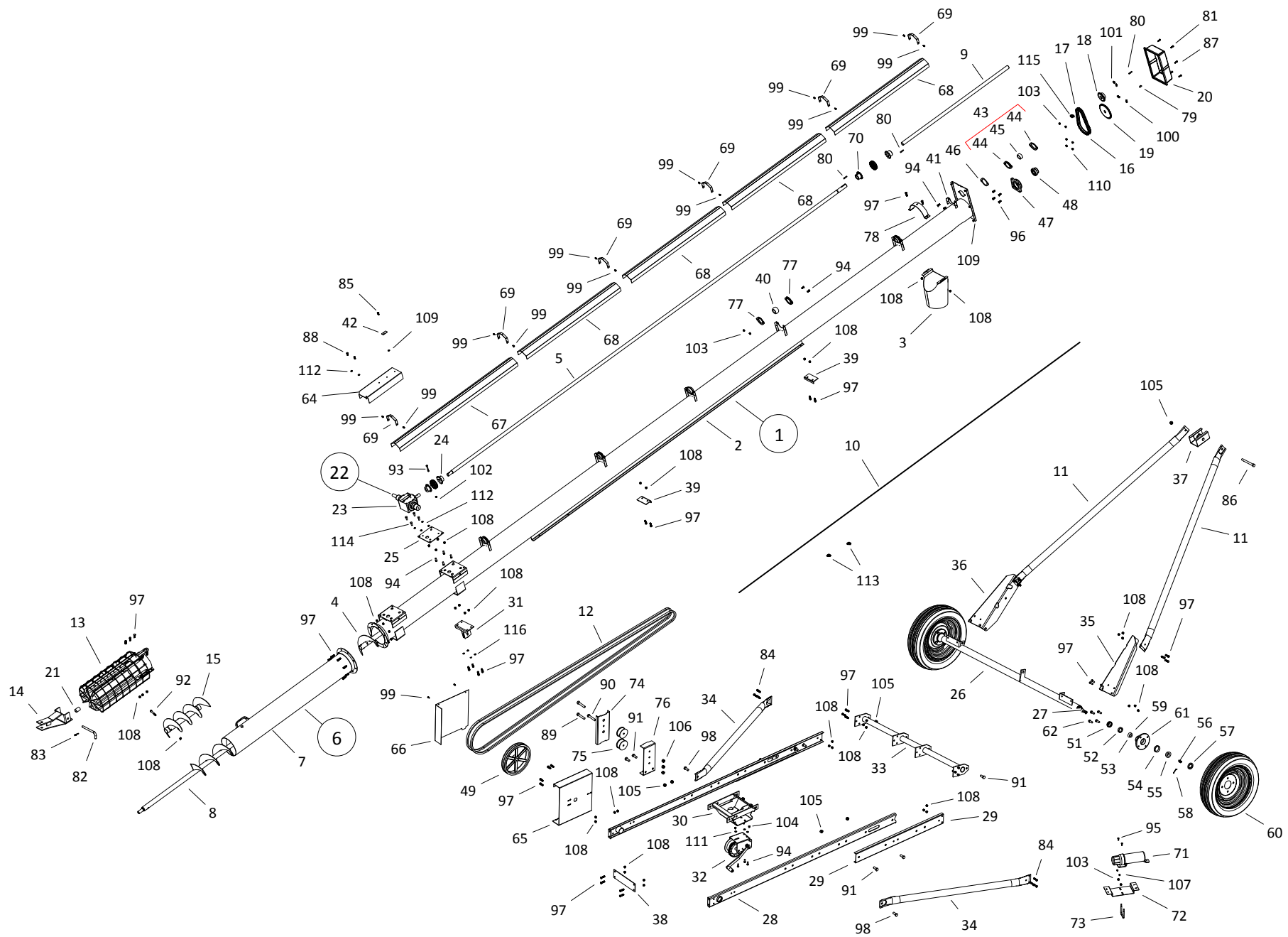
TFX2 AUGER 1031

ITEM	PART NO.	DESCRIPTION
1	10-29764	TFX210-31/36 UPPER TUBE BUNDLE
2	10-29763	TFX210-31/36 UPPER TUBE ONLY
3	10-29307	SPOUT, 10 INCH ROLLED
4	10-19753	FLIGHT, W100 UPPER
5	10-29767	TFX2 X 31/36 UPPER LONG DS
6	10-19736	WR/TFX210-31 LOWER TUBE BUNDLE #
7	10-19735	WR/TF/TFX100-31 LOWER TUBE ONLY #
8	10-19754	W100-31 LWR FLIGHT W/INTAKE FLIGHT
9	10-29736	UPPER SHORT DRIVESHAFT, TFX2
10	10-18823	J41/TF/TFX31 WINCH CABLE
11	10-28946	TFX/TFX2 31 UPPER LIFT ARM
12	10-19478	B210 BELT
13	10-29738	TFX210/R10 INTAKE W/SHIELD,BUSHING
14	10-17180	WR100 CLEVIS
15	10-17535	WR100 INTAKE FLIGHT 4506113
16	10-24425	#60-39P CHAIN W/ CONN & HALF LINK
17	10-19433	60B CHAIN CONNECTOR
18	10-17067	60B14 X 1-1/4 SPROCKET
19	10-29356	60B25 X 1-1/4 SPROCKET
20	10-17160	OIL COVER,WR100 HEAD
21	10-19776	P285 - 14MOD POROUS BRONZE BUSHING
22	10-28358	TF/TFX GEARBOX ASSEMBLY
23	10-19473	GEARBOX (PAINTED WHEATHEART RED)
24	10-17592	FLEX COUPLER 0310008
25	10-19633	BD GEARBOX PLATE 4503010
26	10-28935	TFX/TFX2 31/36 AXLE
27	10-19263	REPLACEMENT SPINDLE
28	10-28933	TFX/TFX2 UPPER CHANNEL
29	10-28937	TFX/TFX2 31/36 LOWER CHANNEL
30	10-28934	TFX/TFX2 WINCH MOUNT
31	10-27862	TF/TFX CABLE RETURN
32	10-19152	K1550 0301 BRAKE WINCH
33	10-27849	TF/TFX-31/36 SUB-AXLE
34	10-28941	TFX/TFX208-31/36 LOWER FRAME TUBE
35	10-28944	TFX/TFX2 BASE PLATE, RIGHT HAND
36	10-28945	TFX/TFX2 BASE PLATE, LEFT HAND
37	10-18763	J TRACK SHOE 4503053
38	10-28940	TFX/TFX2 UPPER CHANNEL BRACE
39	10-18762	TRACK STOP
40	10-18691	WOOD BEARING
41	10-29739	R8/TFX208 SPROCKET BOX TAB
42	10-19627	DSG ATTACH PLATE
43	10-19322	1-1/4 2 HOLE FLANGE BEARING
44	10-18695	62MST ZP FLANGE PLATED FINISH
45	10-18853	EFH206-20 BEARING
46	10-17168	GASKET
47	10-19567	1-1/4" PILLOW BLOCK
48	10-18852	1-1/4" BEARING ONLY
49	10-19613	12.7" X 1" DOUBLE B GROOVE PULLEY
51	10-19264	SEAL



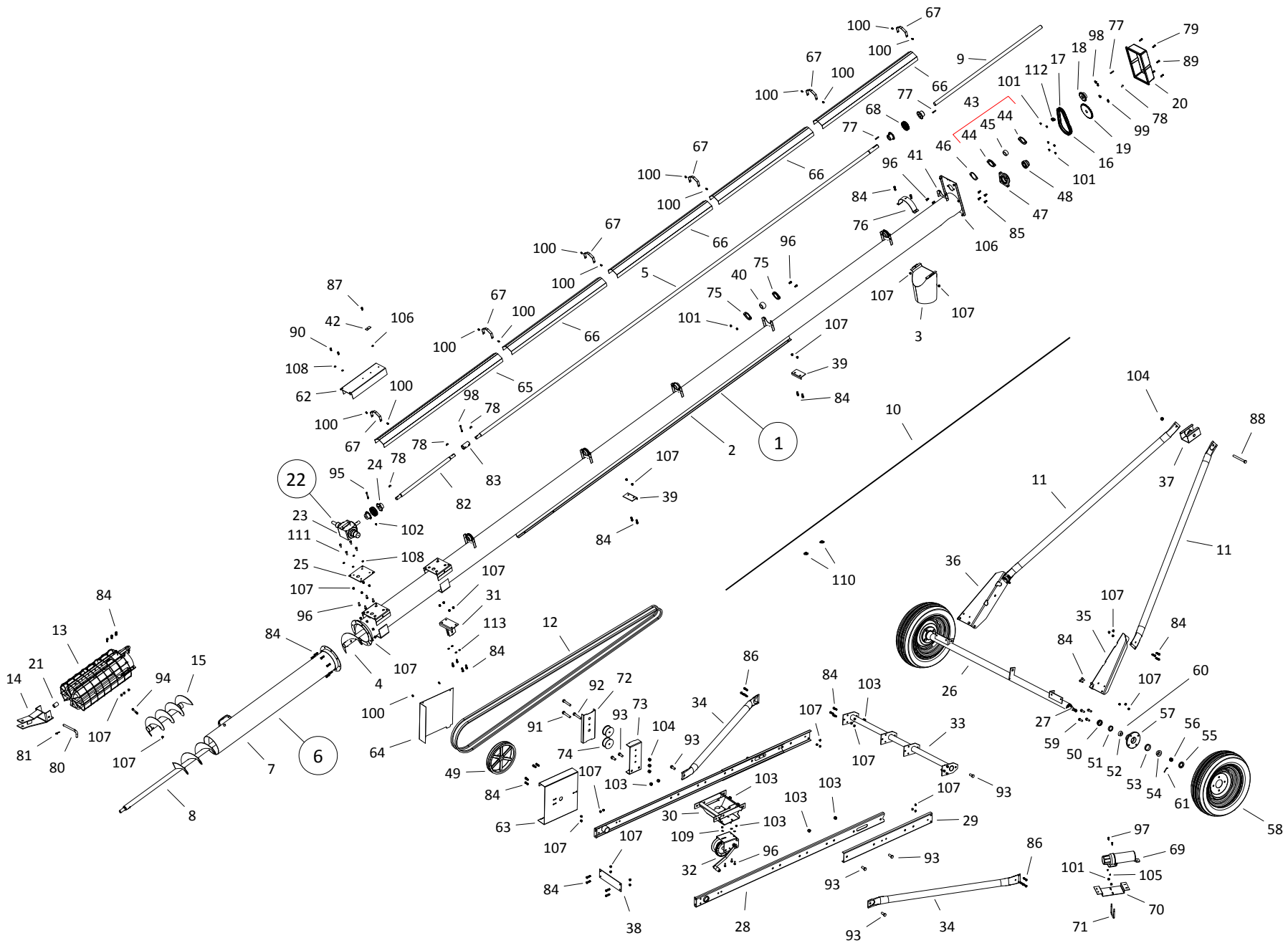
TFX2 AUGER 1031

ITEM	PART NO.	DESCRIPTION
52	10-19265	LARGE BEARING, TIMKEN #LM67048
53	10-19266	LARGE CUP, TIMKEN #LM67010
54	10-19269	SMALL BEARING, TIMKEN #LM11949
55	10-19268	SMALL CUP, TIMKEN #LM11910
56	10-19270	SLOTTED NUT, 3/4" - 16
57	10-19272	DUST CAP
58	10-19271	COTTER PIN, 1/8" X 1-1/2"
59	10-19467	HA411Z HUB ASSEMBLY
60	10-19261	15 X 4.5 X 4 BOLT WHEEL BLACK
61	10-19267	HUB W/ CAPS
62	10-20565	1/2" X 1" WHEEL BOLT (BLACK)
64	10-19626	SHIELD, FLEX COUPLER 4503063
65	10-28913	UPPER SHIELD BACKING PLATE
66	10-28914	UPPER SHIELD FACE
67	10-18829	SHIELD 60" DRIVEGUARD 4503061
68	10-19255	48 DRIVEGUARD SHIELD 4503060
69	10-19256	DSG STRAP 4503062
70	10-19771	CHAIN COUPLER
71	10-29755	WATERPROOF PLASTIC MANUAL HOLDER
72	10-29798	MANUAL HOLDER MOUNT, WESTFIELD
73	10-19610	3/8" X 2-1/2" U-BOLT PLTD
74	10-28965	TFX/TFX2 IDLER SHIELD
75	10-28447	4" X 1/2" IDLER PULLEY (BLACK)
76	10-28964	IDLER BRACKET
77	10-18695	62MST ZP FLANGE PLATED FINISH
78	10-19801	CLAMP, W100 HALF
79	10-19224	1/4" X 1" WOODRUFF KEY
80	10-19606	KEY, 1/4" X 1-1/2" SQ 700615
81	10-17179	3/8 OIL BATH PLUG
82	10-17181	5/8" CLEVIS PIN
83	10-17383	HAIR CLIP
84	10-28744	7/16" X 1-1/2" NC BOLT GR 5 PLTD
85	10-19537	BOLT, 1/4" X 1/2" GR5
86	10-19591	5/8" X 6-1/2" NC BOLT GR 8 PLTD
87	10-19988	1/4" X 1" NC BOLT GR 2 PLTD
88	10-19540	3/8" X 3/4" NC BOLT GR 5 PLTD
89	10-19798	BOLT, 1/2" x 2-3/4" GR8 PLTD
90	10-17762	BOLT, 1/2" x 3" GR5 PLTD
91	10-19590	BOLT, 5/8" X 1-1/2" GR5
92	10-17747	7/16" X 2-1/2" NC BOLT
93	10-17631	5/16" X 2-1/2" NC BOLT GR 2 PLTD.
94	10-18955	3/8" X 1" NC BOLT GR 5 PLTD
95	9900800	1/4" X 3/4" NC BOLT GR 5 PLTD
96	10-19589	BOLT, 1/2" X 1-1/2"
97	10-18698	7/16" X 1-1/4" NC BOLT GR 8 PLTD
98	10-19991	5/8" X 2" NC BOLT GR 8 PLTD
99	10-19274	#14 X 5/8" SMS AB GR 5 PLTD
100	10-29118	SETSCREW, 3/8" X 3/4" GR8 SQ END
101	10-19225	3/8"UNC-X3/8"SETSCREW REGULAR CUP
102	10-19980	5/16" NC NYLON LOCKNUT PLTD



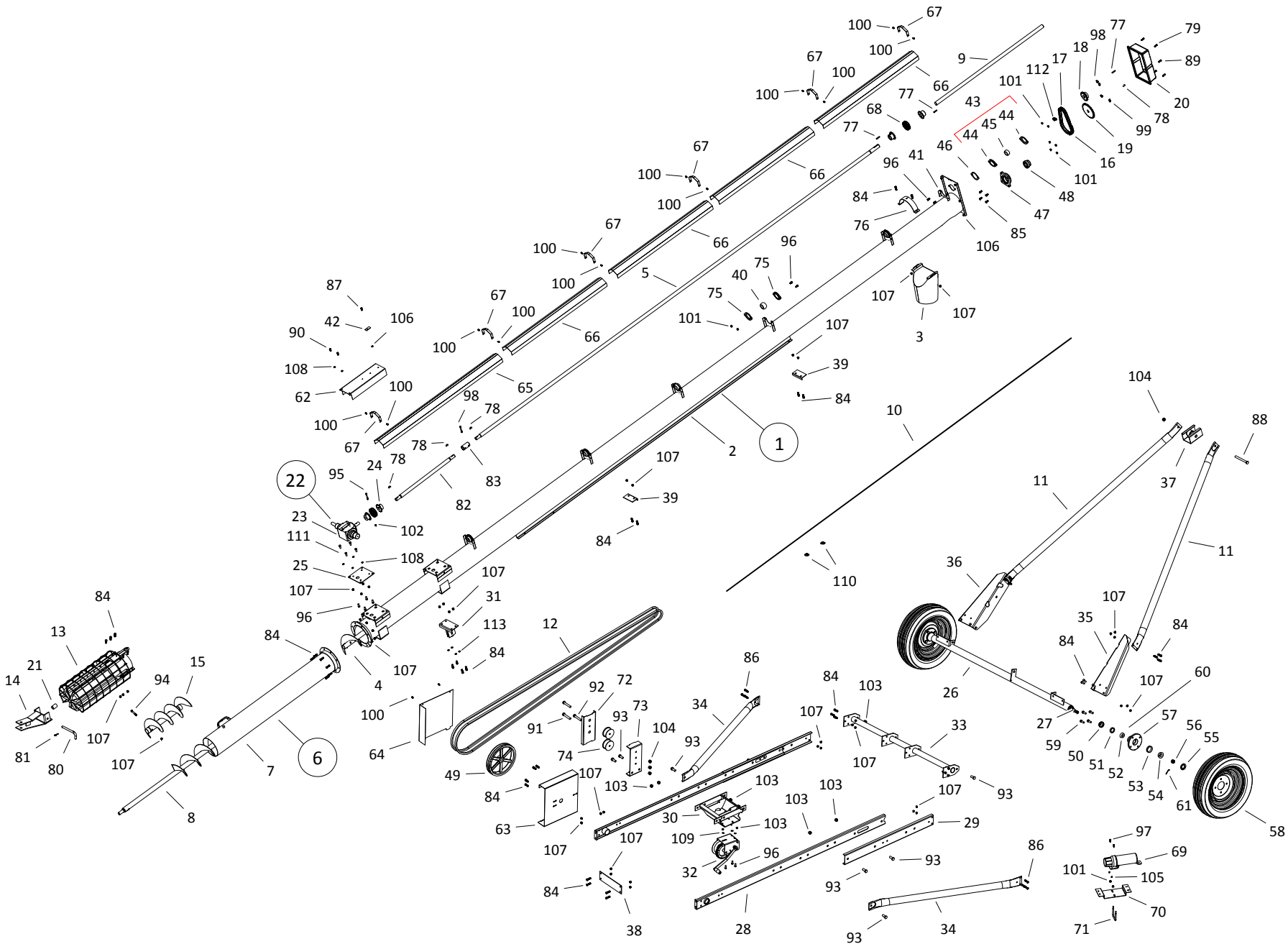
TFX2 AUGER 1031

ITEM	PART NO.	DESCRIPTION
103	10-19596	3/8" NC SERRATED FLANGE NUT PLTD
104	10-17402	3/8" NC NYLON LOCKNUT PLTD
105	10-19600	5/8" NC NYLON LOCKNUT PLTD
106	10-19599	1/2" NC NYLON LOCKNUT GR 2 PLTD
107	10-28449	1/4" NC NYLON LOCKNUT PLTD
108	10-19598	7/16" NC NYLON LOCKNUT GR 2 PLTD
109	10-19594	1/4" NC SERRATED FLANGE NUT PLTD
110	10-19599	1/2" NC NYLON LOCKNUT GR 2 PLTD
111	9900683	1/4" FLAT WASHER PLT
112	10-19604	3/8" LOCK WASHER PLTD
113	10-19147	1/4" CABLE CLAMP
114	10-19542	7/16" X 1" NC BOLT GR 5 PLTD
115	10-29526	#60 OFFSET LINK
116	10-17182	7/16" TRACK WASHER



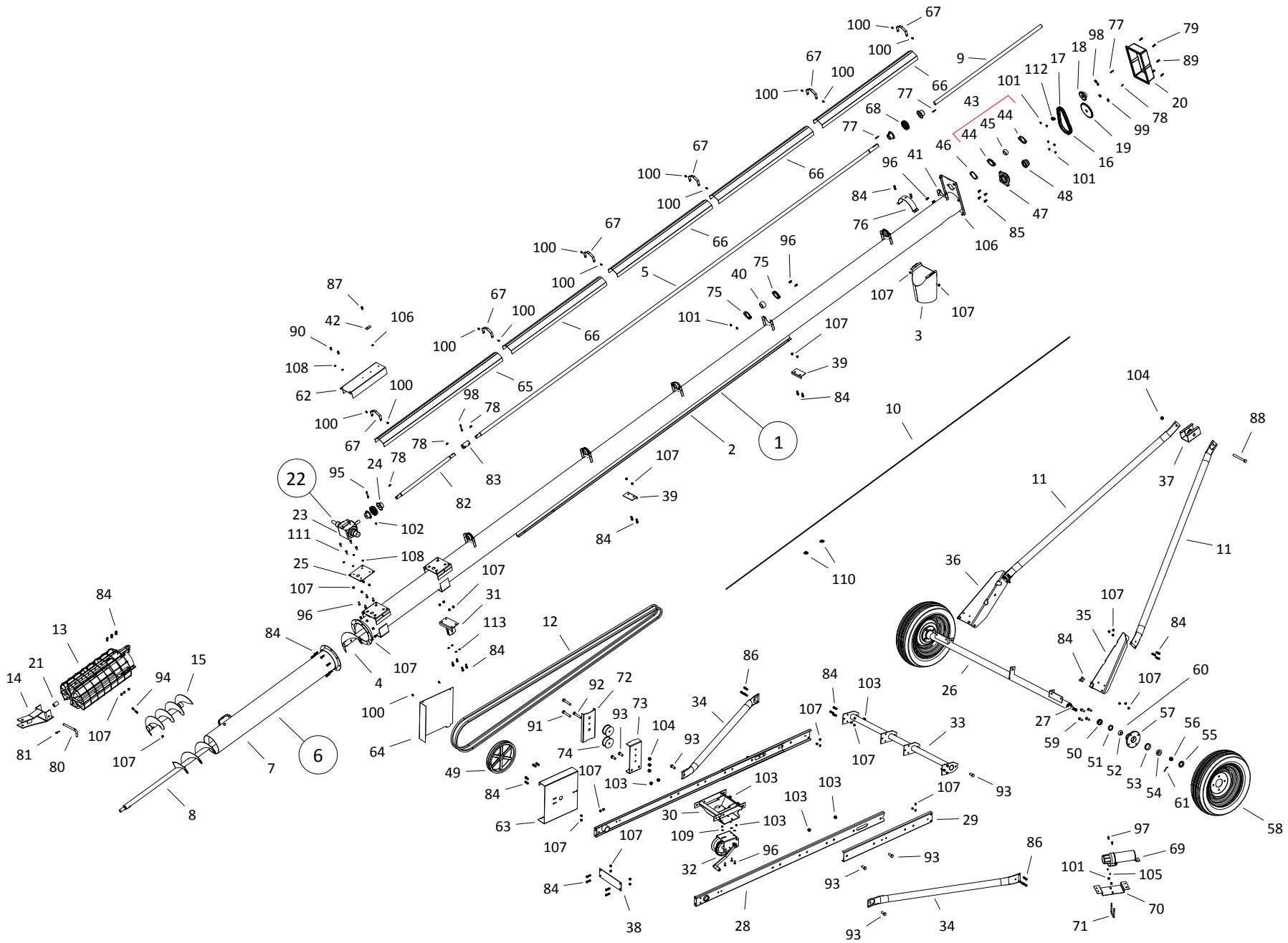
TFX2 AUGER 1036

ITEM	PART NO.	DESCRIPTION
1	10-29764	TFX210-31/36 UPPER TUBE BUNDLE
2	10-29763	TFX210-31/36 UPPER TUBE ONLY
3	10-29307	SPOUT, 10 INCH ROLLED
4	10-19753	FLIGHT, W100 UPPER
5	10-29767	TFX2 X 31/36 UPPER LONG DS
6	10-27855	TFX/TFX210-36 LOWER TUBE BUNDLE #
7	10-27829	TF/TFX100-36 LOWER TUBE ONLY #
8	10-19758	W100-61 LOWER FLIGHT W/INTAKE FLGHT
9	10-29736	UPPER SHORT DRIVESHAFT, TFX2
10	10-28201	TF/TFX36 WINCH CABLE
11	10-28947	TFX/TFX2 36 UPPER LIFT ARM
12	10-19479	B240 BELT
13	10-29738	TFX210/R10 INTAKE W/SHIELD,BUSHING
14	10-17180	WR100 CLEVIS
15	10-17535	WR100 INTAKE FLIGHT 4506113
16	10-24425	#60-39P CHAIN W/ CONN & HALF LINK
17	10-19433	#60 CONNECTOR LINK
18	10-17067	60B14 X 1-1/4 SPROCKET
19	10-29356	60B25 X 1-1/4 SPROCKET
20	10-17160	OIL COVER,WR100 HEAD
21	10-19776	P285 - 14MOD POROUS BRONZE BUSHING
22	10-28358	TF/TFX GEARBOX ASSEMBLY
23	10-19473	GEARBOX (PAINTED WHEATHEART RED)
24	10-17592	FLEX COUPLER 0310008
25	10-19633	BD GEARBOX PLATE 4503010
26	10-28935	TFX/TFX2 31/36 AXLE
27	10-19263	REPLACEMENT SPINDLE
28	10-28933	TFX/TFX2 UPPER CHANNEL
29	10-28937	TFX/TFX2 31/36 LOWER CHANNEL
30	10-28934	TFX/TFX2 WINCH MOUNT
31	10-27862	TF/TFX CABLE RETURN
32	10-19152	K1550 0301 BRAKE WINCH
33	10-27849	TF/TFX-31/36 SUB-AXLE
34	10-28941	TFX/TFX208-31/36 LOWER FRAME TUBE
35	10-28944	TFX/TFX2 BASE PLATE, RIGHT HAND
36	10-28945	TFX/TFX2 BASE PLATE, LEFT HAND
37	10-18763	J TRACK SHOE 4503053
38	10-28940	TFX/TFX2 UPPER CHANNEL BRACE
39	10-18762	J TRACK STOP
40	10-18691	WOOD BEARING
41	10-29739	R8/TFX208 SPROCKET BOX TAB
42	10-19627	DSG ATTACH PLATE
43	10-19322	1-1/4" 2 HOLE FLANGE BEARING
44	10-18695	62MST ZP FLANGE PLATED FINISH
45	10-18853	EFH206-20 BEARING
46	10-17168	GASKET
47	10-19567	1-1/4" PILLOW BLOCK
48	10-18852	1-1/4" BEARING ONLY
49	10-19613	12.7" X 1" DOUBLE B GROOVE PULLEY
50	10-19264	SEAL



TFX2 AUGER 1036

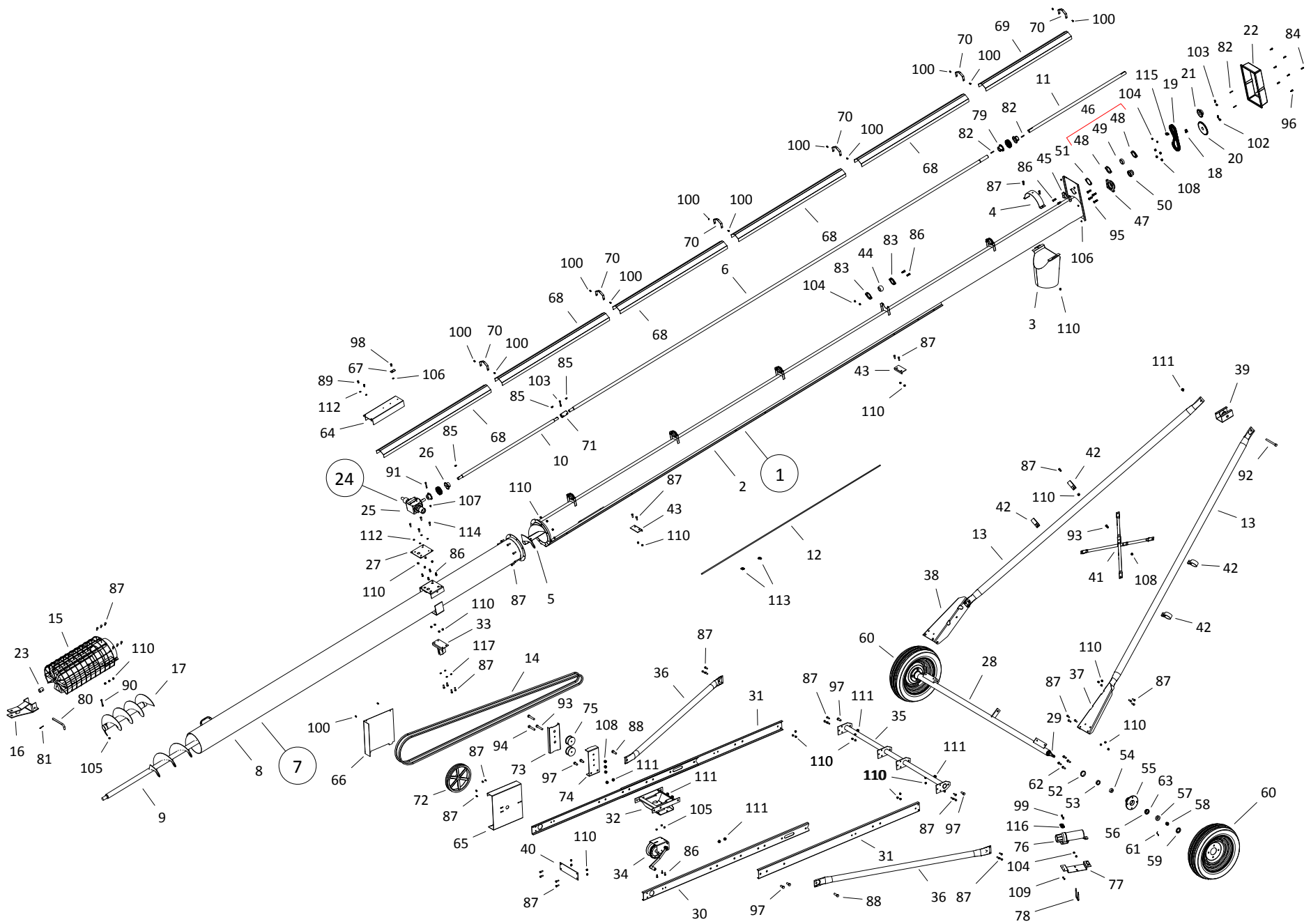
ITEM	PART NO.	DESCRIPTION
51	10-19265	LARGE BEARING, TIMKEN #LM67048
52	10-19266	LARGE CUP, TIMKEN #LM67010
53	10-19269	SMALL BEARING, TIMKEN #LM11949
54	10-19268	SMALL CUP, TIMKEN #LM11910
55	10-19272	DUST CAP
56	10-19270	SLOTTED NUT, 3/4" - 16
57	10-19267	HUB W/ CAPS
58	10-19261	15 X 4.5 X 4 BOLT WHEEL BLACK
59	10-20565	1/2" X 1" WHEEL BOLT (BLACK)
60	10-19467	HA411Z HUB ASSEMBLY
61	10-19271	COTTER PIN, 1/8" X 1-1/2"
62	10-19626	SHIELD, FLEX COUPLER 4503063
63	10-28913	UPPER SHIELD BACKING PLATE
64	10-28914	UPPER SHIELD FACE
65	10-18829	SHIELD 60" DRIVEGUARD 4503061
66	10-19255	48 DRIVEGUARD SHIELD 4503060
67	10-19256	DSG STRAP 4503062
68	10-19771	CHAIN COUPLER
69	10-29755	WATERPROOF PLASTIC MANUAL HOLDER
70	10-29798	MANUAL HOLDER MOUNT, WESTFIELD
71	10-19610	3/8" X 2-1/2" U-BOLT PLTD
72	10-28965	TFX/TFX2 IDLER SHIELD
73	10-28964	TFX/TFX2 IDLER BRACKET
74	10-28447	4" X 1/2" IDLER PULLEY (BLACK)
75	10-18695	62MST ZP FLANGE PLATED FINISH
76	10-19801	CLAMP, W100 HALF
77	10-19606	KEY, 1/4" X 1-1/2" SQ 700615
78	10-19224	1/4" X 1" WOODRUFF KEY
79	10-17179	3/8 OIL BATH PLUG
80	10-17181	CLEVIS PIN
81	10-17383	HAIR CLIP
82	10-27904	TF80/100 TFX100-36 LOWER DRIVESHAFT
83	10-19119	1 DRIVESHAFT CONNECTR 4503149
84	10-18698	7/16" X 1-1/4" NC BOLT GR 8 PLTD
85	10-19589	BOLT, 1/2" X 1-1/2"
86	10-28744	7/16" X 1-1/2" NC BOLT GR 5 PLTD
87	10-19537	BOLT, 1/4" X 1/2" GR5
88	10-19591	5/8" X 6-1/2" NC BOLT GR 8 PLTD
89	10-19988	1/4" X 1" NC BOLT GR 2 PLTD
90	10-19540	3/8" X 3/4" NC BOLT GR 5 PLTD
91	10-19798	BOLT, 1/2" x 2-3/4" GR8 PLTD
92	10-17762	BOLT, 1/2" x 3" GR5 PLTD
93	10-19590	BOLT, 5/8" X 1-1/2" GR5
94	10-17747	7/16" X 2-1/2" NC BOLT
95	10-17631	5/16" X 2-1/2" NC BOLT GR 2 PLTD.
96	10-18955	3/8" X 1" NC BOLT GR 5 PLTD
97	9900800	1/4" X 3/4" NC BOLT GR 5 PLTD
98	10-19225	3/8"UNC-X3/8"SETSCREW REGULAR CUP
99	10-29118	SETSCREW, 3/8" X 3/4" GR8 SQ END
100	10-19274	#14 X 5/8" SMS AB GR 5 PLTD



TFX2 AUGER 1036

ITEM	PART NO.	DESCRIPTION
101	10-19596	3/8" NC SERRATED FLANGE NUT PLTD
102	10-19980	5/16" NC NYLON LOCKNUT PLTD
103	10-19599	1/2" NC NYLON LOCKNUT PLTD
104	10-19600	5/8" NC NYLON LOCKNUT PLTD
105	10-28449	1/4" NC NYLON LOCKNUT PLTD
106	10-19594	1/4" NC SERRATED FLANGE NUT PLTD
107	10-19598	7/16" NC NYLON LOCKNUT GR 2 PLTD
108	10-19604	3/8" LOCK WASHER PLTD
109	9900683	1/4" FLAT WASHER PLT
110	10-19147	1/4" CABLE CLAMP
111	10-19542	7/16" X 1" NC BOLT GR 5 PLTD
112	10-29526	#60 OFFSET LINK
113	10-17182	7/16" TRACK WASHER

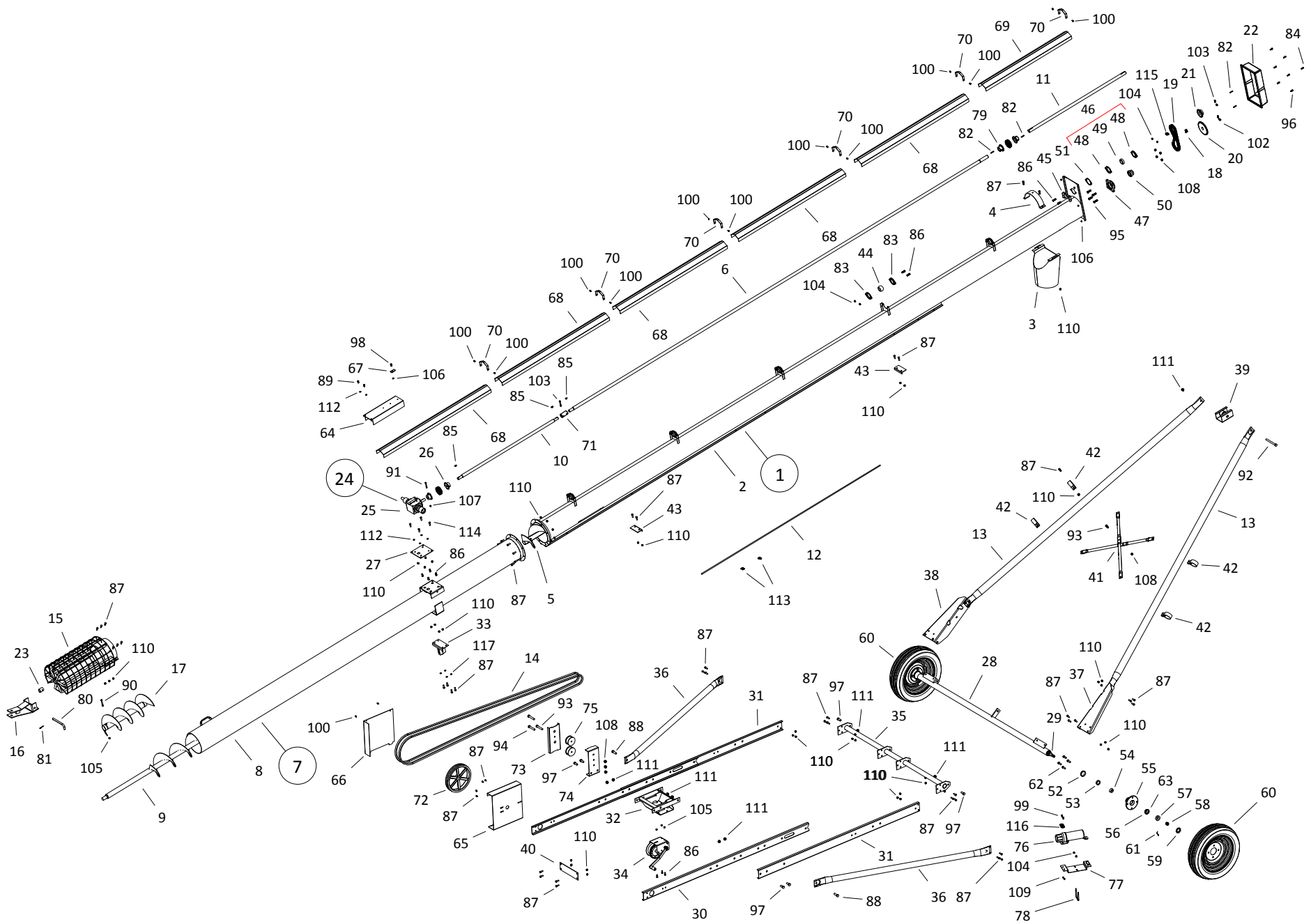
TFX2 AUGER 1041



TFX2 AUGER 1041

ITEM	PART NO.	DESCRIPTION
1	10-29766	TFX210-41 UPPER TUBE BUNDLE
2	10-29765	TFX210 X 41 UPPER TUBE ONLY
3	10-29307	SPOUT, 10 INCH ROLLED
4	10-19801	CLAMP, W100 HALF
5	10-19753	FLIGHT, W100 UPPER
6	10-29737	UPPER LONG DRIVESHAFT, TFX2
7	10-28994	TFX/TFX210-41 LOWER TUBE BUNDLE #
8	10-28993	TFX 1041 LOWER TUBE ONLY #
9	10-19755	W100-41 LOWER FLIGHT W/INTAKE FLGHT
10	10-28992	TFX/TFX2 1041 LOWER DRIVESHAFT
11	10-29736	UPPER SHORT DRIVESHAFT, TFX2
12	10-18824	J51/TF/TFX41 WINCH CABLE
13	10-28995	TFX/TFX2 41 UPPER LIFT TUBE
14	10-19479	B240 BELT
15	10-29738	TFX210/R10 INTAKE W/SHIELD,BUSHING
16	10-17180	WR100 CLEVIS
17	10-17535	WR100 INTAKE FLIGHT 4506113
18	10-19433	#60 CONNECTOR LINK
19	10-24425	#60-39P CHAIN W/ CONN & HALF LINK
20	10-29356	60B25 X 1-1/4 SPROCKET
21	10-17067	60B14 X 1-1/4 SPROCKET
22	10-17160	OIL COVER,WR100 HEAD
23	10-19776	P285 - 14MOD POROUS BRONZE BUSHING
24	10-28358	TF/TFX GEARBOX ASSEMBLY
25	10-19473	GEARBOX (PAINTED WHEATHEART RED)
26	10-17592	FLEX COUPLER 0310008
27	10-19633	BD GEARBOX PLATE 4503010
28	10-28936	TFX/TFX2 41/51 AXLE
29	10-19263	REPLACEMENT SPNIDLE
30	10-28933	TFX/TFX2 UPPER CHANNEL
31	10-28939	TFX/TFX2 41/51 LOWER CHANNEL
32	10-28934	TFX/TFX2 WINCH MOUNT
33	10-27862	TF/TFX CABLE RETURN
34	10-19152	K1550 0301 BRAKE WINCH
35	10-27841	TF/TFX-41/46/51 SUB-AXLE
36	10-28943	TFX/TFX2 41/51 LOWER FRAME TUBE
37	10-28944	TFX/TFX2 BASE PLATE, RIGHT HAND
38	10-28945	TFX/TFX2 BASE PLATE, LEFT HAND
39	10-18763	J TRACK SHOE 4503053
40	10-28940	TFX/TFX2 UPPER CHANNEL BRACE
41	10-27263	WC1335 UPPER CROSS BRACE
42	10-19797	3" FRAME BRACE CLAMP
43	10-18762	J TRACK STOP
44	10-18691	WOOD BEARING
45	10-29739	R8/TFX208 SPROCKET BOX TAB
46	10-19322	1-1/4 2 HOLE FLANGE BEARING
47	10-19567	1-1/4" PILLOW BLOCK
48	10-18695	62MST ZP FLANGE PLATED FINISH
49	10-18853	EFH206-20 BEARING
50	10-18852	1-1/4" BEARING ONLY

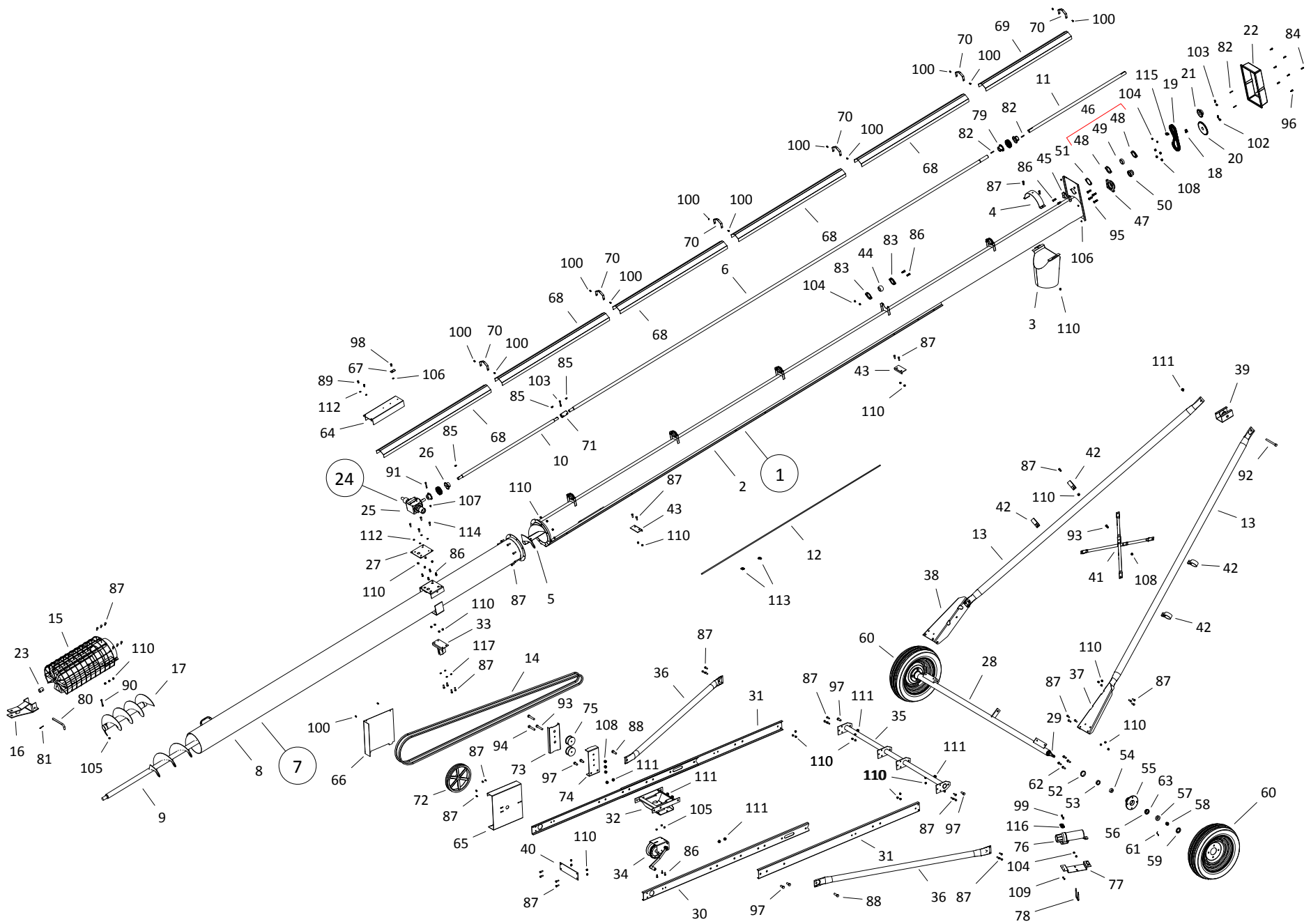
TFX2 AUGER 1041



TFX2 AUGER 1041

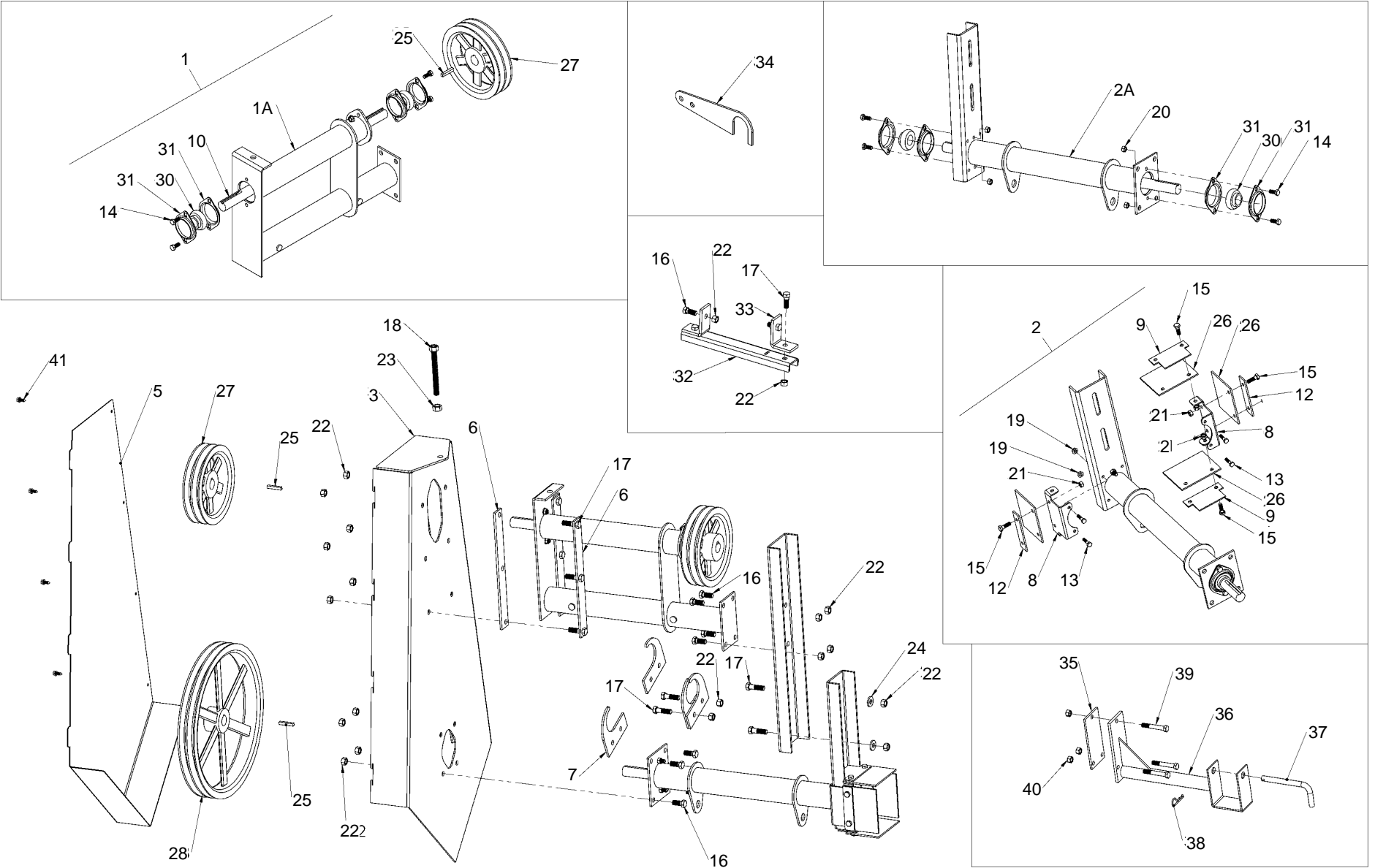
ITEM	PART NO.	DESCRIPTION
51	10-17168	GASKET
52	10-19264	SEAL
53	10-19265	LARGE BEARING, TIMKEN #LM67048
54	10-19266	LARGE CUP, TIMKEN #LM67010
55	10-19267	HUB WITH CUPS
56	10-19268	SMALL CUP, TIMKEN #LM11910
57	10-19269	SMALL BEARING, TIMKEN #LM11949
58	10-19270	3/4" NF SLOTTED NUT PLAIN
59	10-19272	DUST CAP
60	10-19261	15 X 4.5 X 4 BOLT WHEEL BLACK
61	10-19271	1/8" X 1-1/2" COTTER PIN PLAIN
62	10-20565	1/2" X 1" WHEEL BOLT (BLACK)
63	10-19467	HA411Z HUB ASSEMBLY
64	10-19626	SHIELD, FLEX COUPLER 4503063
65	10-28913	UPPER SHIELD BACKING PLATE
66	10-28914	UPPER SHIELD FACE
67	10-19627	DSG ATTACH PLATE
68	10-18829	SHIELD 60" DRIVEGUARD 4503061
69	10-19255	48 DRIVEGUARD SHIELD 4503060
70	10-19256	DSG STRAP 4503062
71	10-19119	1" DS CONNECTOR
72	10-19613	12.7" X 1" DOUBLE B GROOVE PULLEY
73	10-28965	TFX/TFX2 IDLER SHIELD
74	10-28964	TFX/TFX2 IDLER BRACKET
75	10-28447	4" X 1/2" IDLER PULLEY (BLACK)
76	10-29755	WATERPROOF PLASTIC MANUAL HOLDER
77	10-29798	MANUAL HOLDER MOUNT, WESTFIELD
78	10-19610	3/8" X 2-1/2" U-BOLT PLTD
79	10-19771	1-1/4" CHAIN COUPLER
80	10-17181	CLEVIS
81	10-17383	3610 GRIP CLIP
82	10-19606	KEY, 1/4" X 1-1/2" SQ 700615
83	10-18695	62MST ZP FLANGE PLATED FINISH
84	10-17179	3/8 OIL BATH PLUG
85	10-19224	1/4" X 1" WOODRUFF KEY
86	10-18955	3/8" X 1" NC BOLT GR 5 PLTD
87	10-18698	7/16" X 1-1/4" NC BOLT GR 8 PLTD
88	10-19991	5/8" X 2" NC BOLT GR 8 PLTD
89	10-19540	3/8" X 3/4" NC BOLT GR 5 PLTD
90	10-17747	7/16" X 2-1/2" NC BOLT
91	10-17631	5/16" X 2-1/2" NC BOLT GR 2 PLTD.
92	10-19591	5/8" X 6-1/2" NC BOLT GR 8 PLTD
93	10-17762	1/2" X 3" NC BOLT GR 5 PLTD
94	10-19798	1/2" X 2-3/4" NC BOLT GR 8 PLTD
95	10-19589	1/2" X 1-1/2" NC BOLT GR 5 PLTD
96	10-19988	1/4" X 1" NC BOLT GR 2 PLTD
97	10-19590	5/8" X 1-1/2" NC BOLT GR 8 PLTD
98	10-19537	BOLT, 1/4" X 1/2" GR5
99	9900800	1/4" X 3/4" NC BOLT GR 5 PLTD
100	10-19274	#14 X 5/8" SMS AB GR 5 PLTD

TFX2 AUGER 1041



TFX2 AUGER 1041

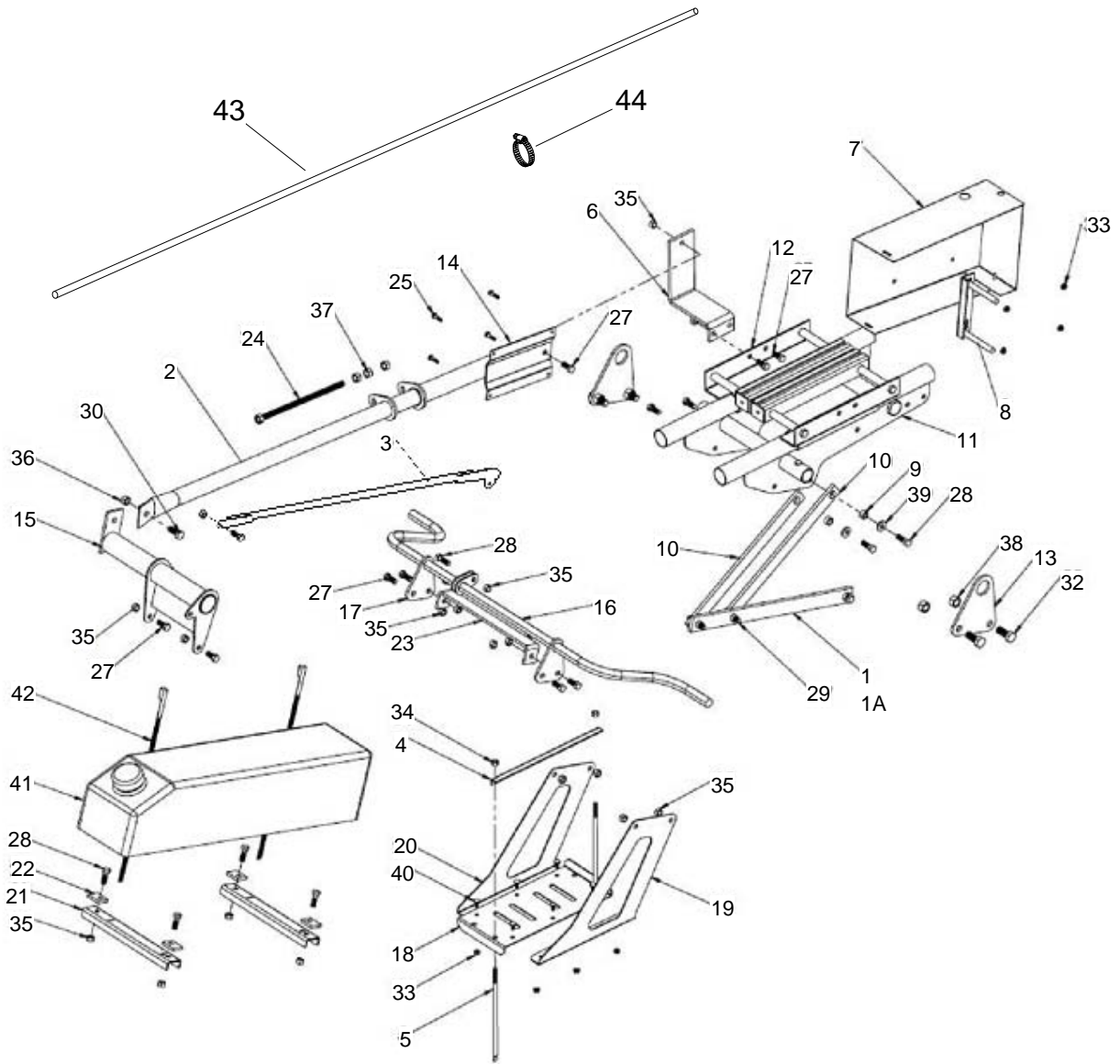
ITEM	PART NO.	DESCRIPTION
102	10-29118	SETSCREW, 3/8" X 3/4" GR8 SQ END
103	10-19225	3/8"UNC-X3/8"SETSCREW REGULAR CUP
104	10-19596	3/8" NC SERRATED FLANGE NUT PLTD
105	10-17402	3/8" NC NYLON LOCKNUT PLTD
106	10-19594	1/4" NC SERRATED FLANGE NUT PLTD
107	10-19980	5/16" NC NYLON LOCKNUT PLTD
108	10-19599	1/2" NC NYLON LOCKNUT GR 2 PLTD
109	10-28449	1/4" NC NYLON LOCKNUT PLTD
110	10-19598	7/16" NC NYLON LOCKNUT GR 2 PLTD
111	10-19600	5/8" NC NYLON LOCKNUT PLTD
112	10-19604	3/8" LOCK WASHER PLTD
113	10-19147	1/4" CABLE CLAMP
114	10-19542	7/16" X 1" NC BOLT GR 5 PLTD
115	10-29526	#60 OFFSET LINK
116	9900683	1/4" FLAT WASHER PLTD
117	10-17182	7/16" TRACK WASHER



TFX2 PTO PARTS

ITEM	PART NO.	DESCRIPTION
1	10-29132	PTO UPPER DRIVE ASSEMBLY
1A	10-29129	PTO UPPER DRIVE HOUSING ONLY
2	10-29133	PTO LOWER DRIVE ASSEMBLY
2A	10-29130	PTO LOWER DRIVE HOUSING ONLY
3	10-29131	PTO SHIELD
4	10-29120	PTO CHANNEL, UPPER
5	10-29121	PTO SHIELD FACE
6	10-29122	PTO SHIELD ADJUST HOLD DOWN
7	10-29124	PTO MOUNT BRACKET
8	10-29127	PTO GUARD BRACKET
9	10-29128	PTO CHANNEL GUARD
10	10-29134	PTO UPPER SHAFT
11	10-29135	PTO LOWER SHAFT
12	10-18878	4-3/4 STRAP 11843
13	10-19988	BOLT, 1/4" X 1" GR2 PLTD
14	10-19538	BOLT, 5/16" X 3/4" GR2 PLTD
15	10-18091	5/16" X 1" NC BOLT GR 2 PLTD
16	10-19542	BOLT, 7/16" X 1" GR5 PLTD
17	10-28744	BOLT, 7/16" X 1-1/2" GR5 PLTD
18	10-27914	JACKSHAFT/EMD TENSION BOLT
19	10-19594	1/4" NC SERRATED FLANGE NUT PLTD
20	10-19595	WHIZNUT, 5/16" PLTD
21	10-19980	NYLON LOCKNUT, 5/16" PLTD
22	10-19598	NYLON LOCKNUT, 7/16" PLTD
23	10-19602	HEX NUT, 1/2"
24	10-17182	7/16" FLAT WASHER
25	10-19606	KEY, 1/4" X 1-1/2" SQ 700615
26	10-17229	3-1/2" X 5" X 1/8" 2 PLY BELT
27	10-19475	7.7" X 1" DOUBLE B GROOVE PULLEY
28	10-18533	15" X 1" DOUBLE B GROOVE PULLEY
29	10-19321	1" BEARING, 2-BOLT (W/ FLANGES)
30	10-18817	1" BEARING ONLY
31	10-18694	1" BEARING FLANGE
32	10-29079	TFX 22L GAS TANK MOUNT
33	10-29123	PTO MOTOR MOUNT LOCK
34	10-29126	PTO PIVOT TUBE LOCK
35	10-27917	TF/TFX PTO CRADLE BACK PLATE
36	10-29142	PTO SADDLE
37	10-19648	SADDLE PIN
38	10-19463	210 HITCH PIN
39	10-18699	BOLT, 3/8" X 2-1/2" GR5
40	10-17402	NYLON LOCKNUT, 3/8" PLTD
41	10-19274	#14 X 5/8" SMS AB GR5PLTD
42	10-29141	B82 BELT (NOT SHOWN)
43	10-19945	COMPLETE PTO DRIVELINE

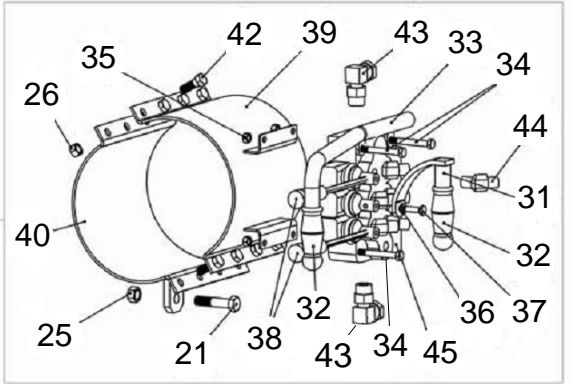
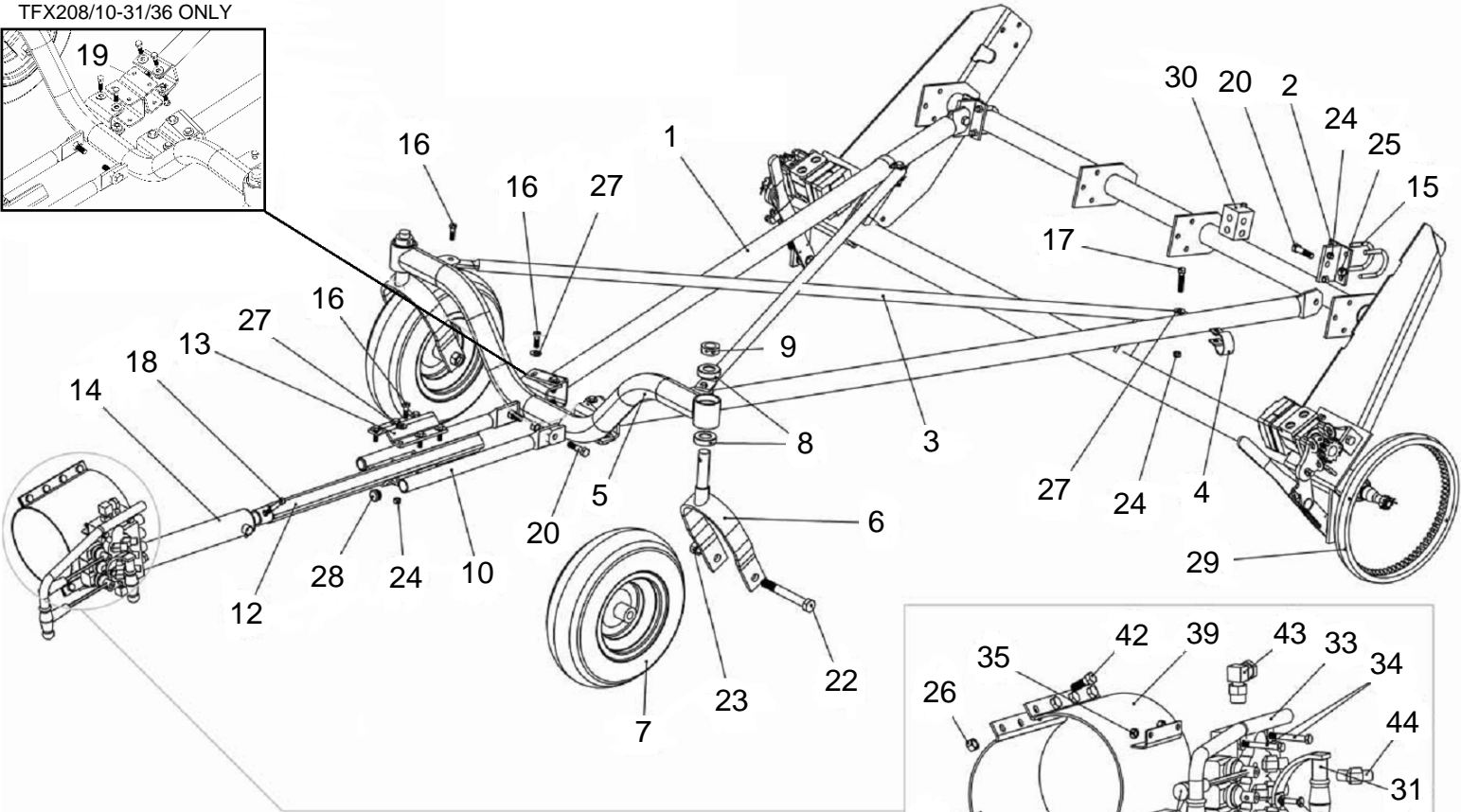
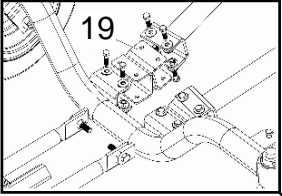
TFX2 MOTOR DRIVE



TFX2 MOTOR DRIVE

ITEM	PART NO.	DESCRIPTION
1	10-28960	TFX/TFX208-31/36 HORIZONTAL LEVELLER BRACE
1A	10-28962	TFX/TFX2-41/51 HORIZONTAL LEVELLER BRACE
2	10-28970	31/36 UPPER TENSIONER ARM
2A	10-28971	41/51 UPPER TENSIONER ARM
3	10-28973	31/36 OVERCENTER TUBE
3A	10-28974	41/51 OVERCENTER TUBE
4	10-18211	HOLD DOWN STRAP, BATTERY
5	10-18212	HOLD DOWN BOLT, BATTERY
6	10-27892	PUSH BAR BRACKET
7	10-27867	MOTOR PULLEY GUARD ASSEMBLY
8	10-27869	MOTOR GUARD BELT SEPERATOR
9	10-27889	LEVELLER BUSHING
10	10-28959	VERTICAL LEVELLER BRACE
11	10-28966	MOTOR MOUNT
12	10-28967	MOTOR MOUNT SLIDER
13	10-28968	MOTOR MOUNT BRACKET
14	10-28969	LOWER TENSION ARM
15	10-28972	PIVOT ARM
16	10-28975	OVERCENTER HANDLE
17	10-28976	OVERCENTER HANDLE BRACKET
18	10-29076	TFX BATTERY HOLDER BOTTOM
19	10-29077	TFX BATTERY HOLDER SIDE, RIGHT
20	10-29078	TFX BATTERY HOLDER SIDE, LEFT
21	10-29079	TFX 22L GAS TANK MOUNT
22	10-29080	TFX 22L GAS TANK TAB
23	10-29104	TFX FLAT BRACE
24	10-29225	TFX BELT TENSIONER BOLT
25	10-19988	BOLT, 1/4" x 1" GR2 PLTD
26	10-18955	BOLT, 3/8" x 1" GR5 PLTD
27	10-19542	BOLT, 7/16" x 1" GR5 PLTD
28	10-18698	BOLT, 7/16" x 1-1/4" GR5 PLTD
29	10-28744	BOLT, 7/16" x 1-1/2" GR5 PLTD
30	10-19589	BOLT, 1/2" x 1-1/2" GR5 PLTD
31	10-19991	BOLT, 5/8" x 2" GR5 PLTD
32	10-19590	BOLT, 5/8" x 1-1/2" GR5 PLTD
33	10-19594	FLANGE NUT, 1/4" PLTD
34	10-19596	FLANGE NUT, 3/8" PLTD
35	10-19598	NYLON LOCKNUT, 7/16" PLTD
36	10-19599	LOCKNUT, 1/2" PLTD
37	10-19602	HEX NUT, 1/2" PLTD
38	10-19600	LOCKNUT, 5/8" PLTD
39	10-17182	7/16" FLAT WASHER
40	10-27113	CARRIAGE BOLT, 1/4" x 3/4" GR2 PLTD
41	1200051	GAS TANK, 22L W/CAP
42	9900216	32" GEAR CLAMP
43	10-28840	1/4" FUEL HOSE FOR WH, 48"
44	1200024	1/4" HOSE CLAMP

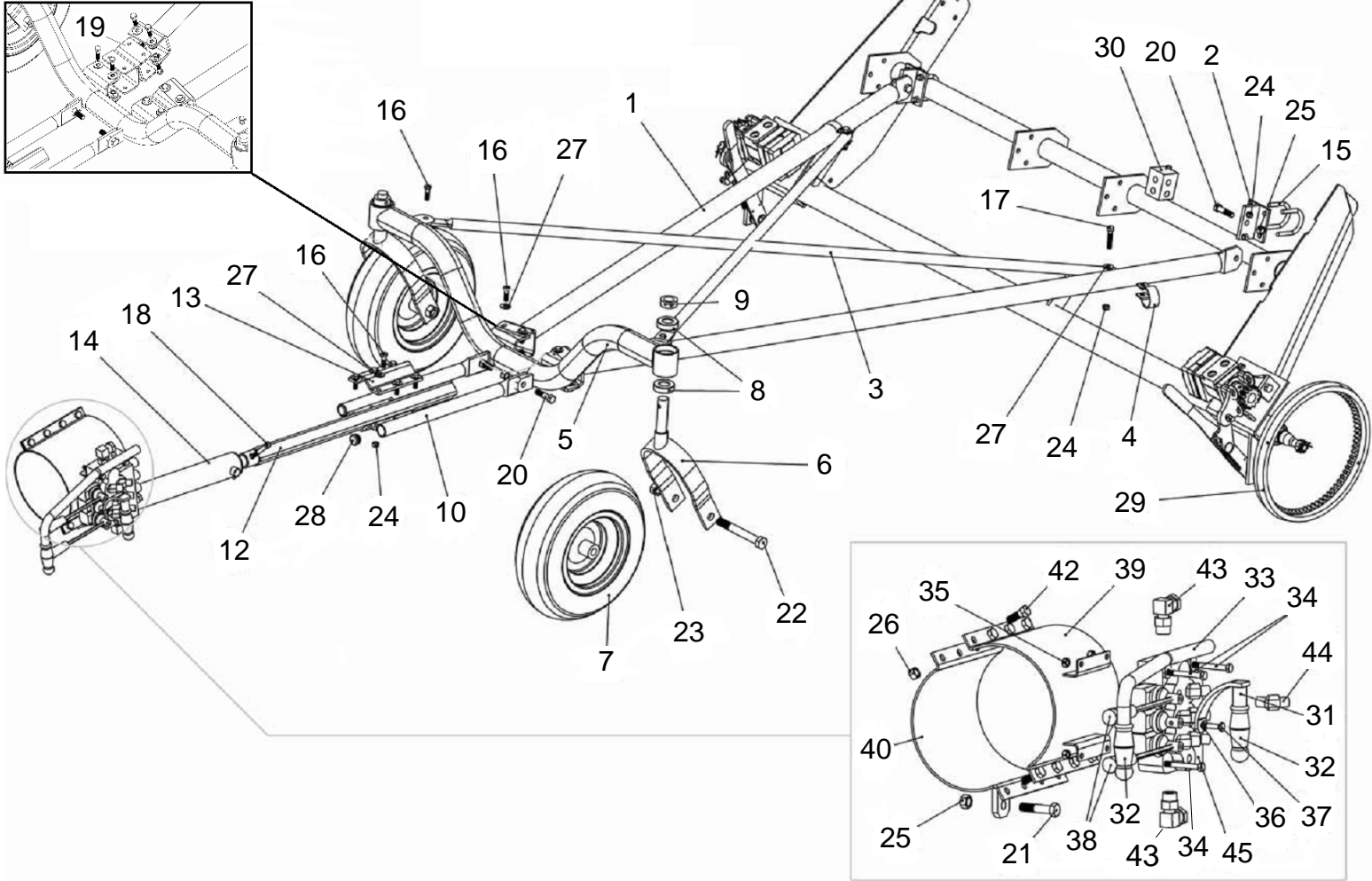
TFX208/10-31/36 ONLY



SP KIT FRAME COMPONENTS

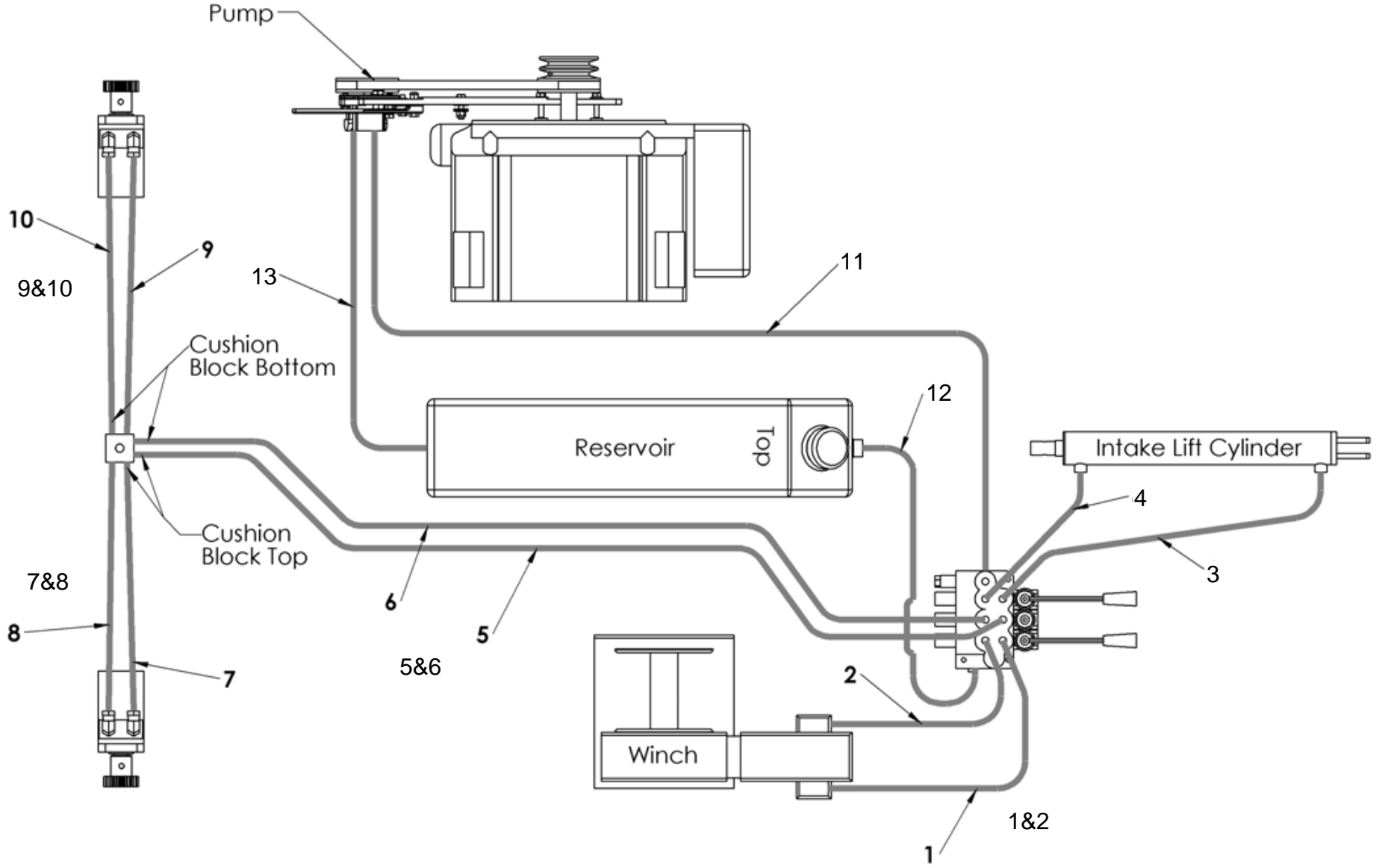
ITEM	PART NO.	DESCRIPTION
1	10-28195	TRANSPORT FRAME PIPE, 76" (8/10-31')
1A	0200319-80	TRANSPORT FRAME PIPE, 80" (10-31')
1B	10-28196	TRANSPORT FRAME PIPE, 101" (8/10-36'/41')
1C	10-28197	TRANSPORT FRAME PIPE, 120" (8-46')
1D	10-29955	TRANSPORT FRAME PIPE, 144" (2.5") (8/10-51')
2	10-27942	WHEEL MOVE BRACKET
3	0200320	CROSS BRACE PIPE
4	10-28174	CROSS BRACE, CLAMPBAND
4A	10-27242	CROSS BRACE, CLAMPBAND (2.5") (8/10-51')
5	0200322	WHEEL V FRAME ASSY, NARROW, W/ BRGS
6	0200314	WHEEL YOKE W/ COLLAR
7	10-28169	WHEEL AND TIRE
8	10-28176	1" ID BALL BEARING
9	10-28177	1" COLLAR
10	10-29748	2012 RAM MOUNTING A-FRAME
12	10-29741	RAM EXTENSION PIPE, 15" SQUARE (8/10-31'/36')
12A	10-29742	RAM EXTENSION PIPE, 21" SQUARE (8/10-41')
12B	10-29744	RAM EXTENSION PIPE, 38" SQUARE (8-46'/51')
12C	10-29743	RAM EXTENSION PIPE, 28" SQUARE (10-51')
13	10-29747	RAM MNT A-FRAME CLAMP
14	10-28179	HYD CYLINDER (SP KIT)
15	10-19609	U-BOLT, 3/8" x 2"
16	10-19975	BOLT, 3/8" x 1 1/4" GR5 PLTD
17	10-27979	BOLT, 3/8" x 2" GR5 PLTD
18	10-18699	BOLT, 3/8" x 2 1/2" GR5 PLTD
19	10-29808	ADAPTER CLEVIS (8/10-31'/36')
20	10-27816	BOLT, 1/2" x 2" GR5 PLTD
21	9900560	BOLT, 1/2" x 2-1/4" GR5 PLTD
22	10-19593	BOLT, 3/4" x 6-1/2" GR8 PLTD
23	10-19601	NYLON LOCKNUT, 3/4" PLTD
24	10-17402	NYLON LOCKNUT, 3/8" PLTD
25	10-19599	LOCKNUT, 1/2" PLTD
26	10-19598	NYLON LOCKNUT, 7/16" PLTD
27	10-17392	FLAT WASHER, 3/8"
28	9900339	1" ROUND POLY PLUG
29	10-28175	RING GEAR W/ SET SCREWS
30	0200350	CUSHION BLOCK, COMPLETE
31	10-28219	CONTROL HANDLE W/ GRIP
32	0200007-4	HANDLE GRIP
33	10-28218	BAR HANDLE W/ GRIP
34	10-17631	BOLT, 5/16" x 2-1/2" GR2 PLTD
35	10-19980	NYLON LOCKNUT, 5/16" PLTD
36	10-19603	LOCKWASHER, 5/16"
37	9900852	BOLT HEX M8 x 1.25" GR8.8 PLT
38	1600007	CONTROL LEVER, SD5 VALVE
39A	10-29756	8" HALF CLAMP, VALVE MOUNT, (8" WIDE) (8")
39B	10-29775	10" HALF CLAMP, VALVE MOUNT, (8" WIDE) (10")
40A	10-29749	8" HALF CLAMP RAM MOUNT (8" WIDE) (8-36'/41'/46'/51')
40B	10-29774	10" HALF CLAMP RAM MOUNT (8" WIDE) (10-36'/41'/51')
41A	10-29750	8" HALF CLAMP (8" WIDE) (NOT SHOWN) (8-31'/41'/46'/51')

TFX208/10-31/36 ONLY



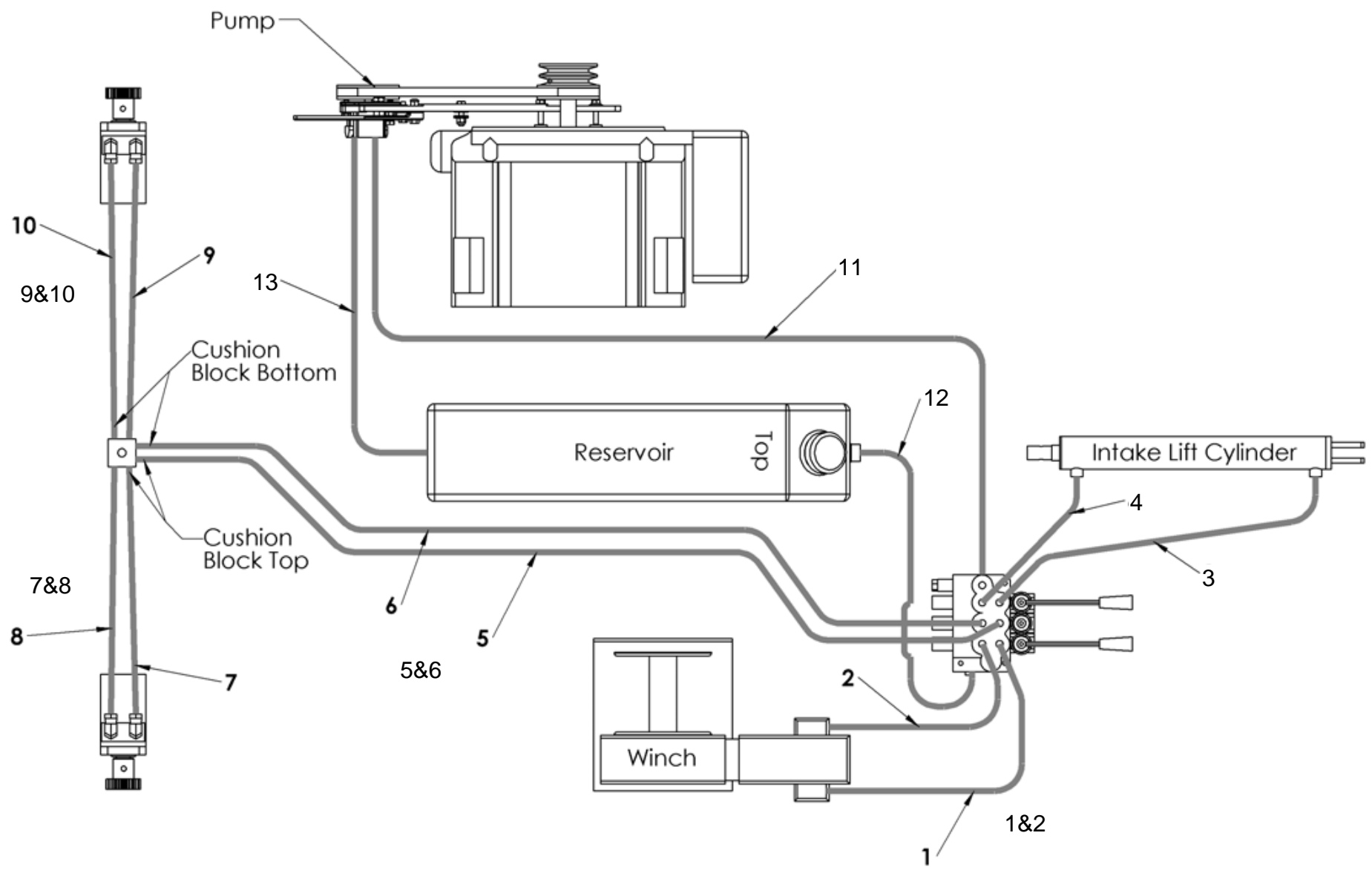
SP KIT FRAME COMPONENTS

ITEM	PART NO.	DESCRIPTION
41B	10-29773	10" HALF CLAMP (8" WIDE) (NOT SHOWN) (10-31'/51')
42	10-18698	BOLT, 7/16" x 1" GR5 PLTD
43	10-28184	FTG ELB, 1/2" MNPT TO 3/8" FSW
44	10-28504	FTG ELB 45°, 6MORB x 6MJIC
45	10-28505	3 SPOOL VALVE, (ONLY)



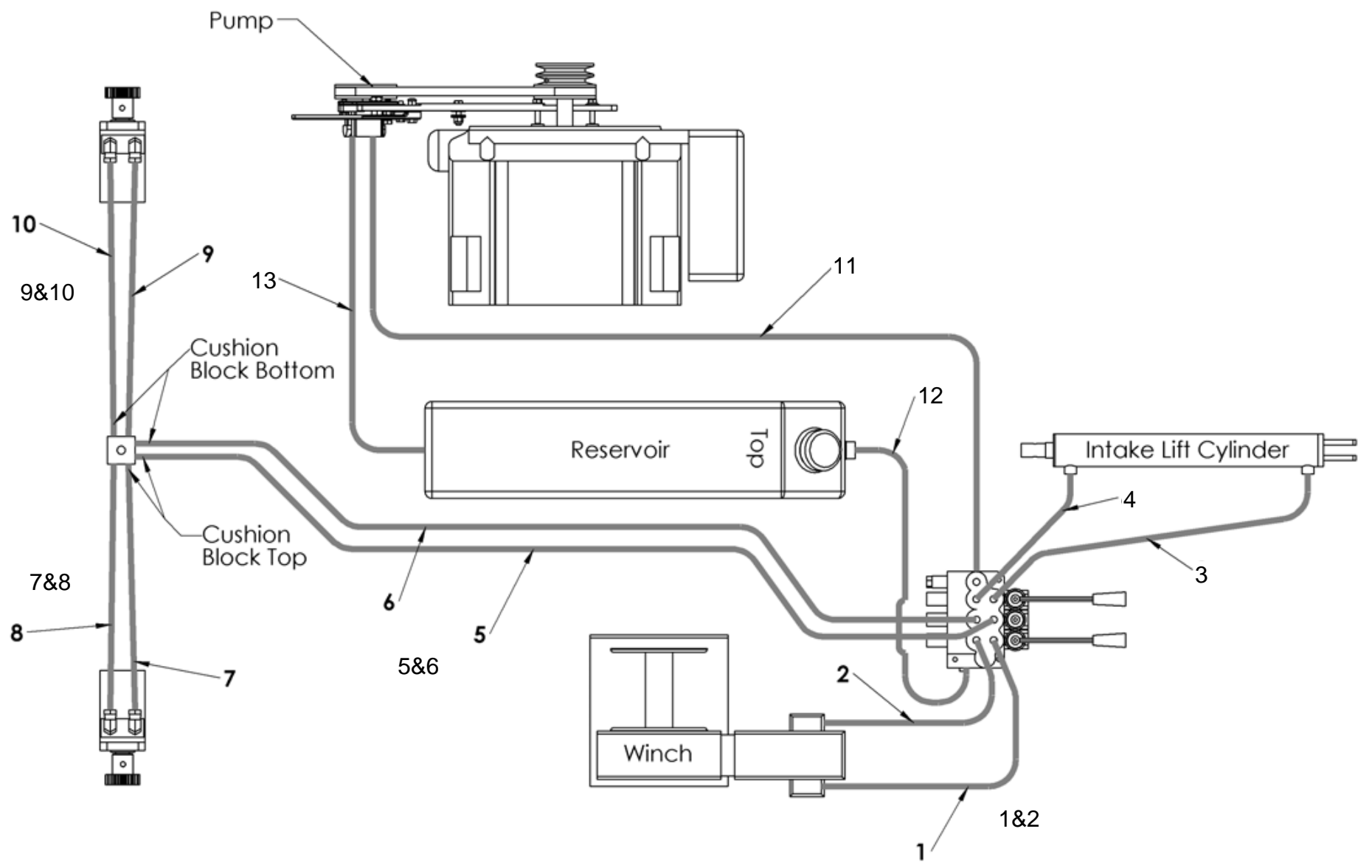
SP KIT HYDRAULIC LINES 8 & 10X31 0200324A-60

ITEM	PART NO.	DESCRIPTION
1&2	10-29388	Control valve to/from winch valve (3/8" - 96")
3	10-28223	Control valve to cylinder inlet port (3/8" - 26")
4	10-28225	cylinder exit port to control valve (3/8" - 40")
5&6	10-28236	control valve to/from cushion block (3/8" - 144")
7&8	10-28228	cushion block to/from drive motor (3/8" - 48")
9&10	10-28229	cushion block to/from drive motor (3/8" - 50")
11	10-28245	out from hydraulic pump to control valve inlet port (1/2" - 156")
12	10-28242	out from control valve to oil reservoir inlet (1/2" - 78")
13	10-28252	out from oil reservoir to hydraulic pump inlet (3/4" - 48")



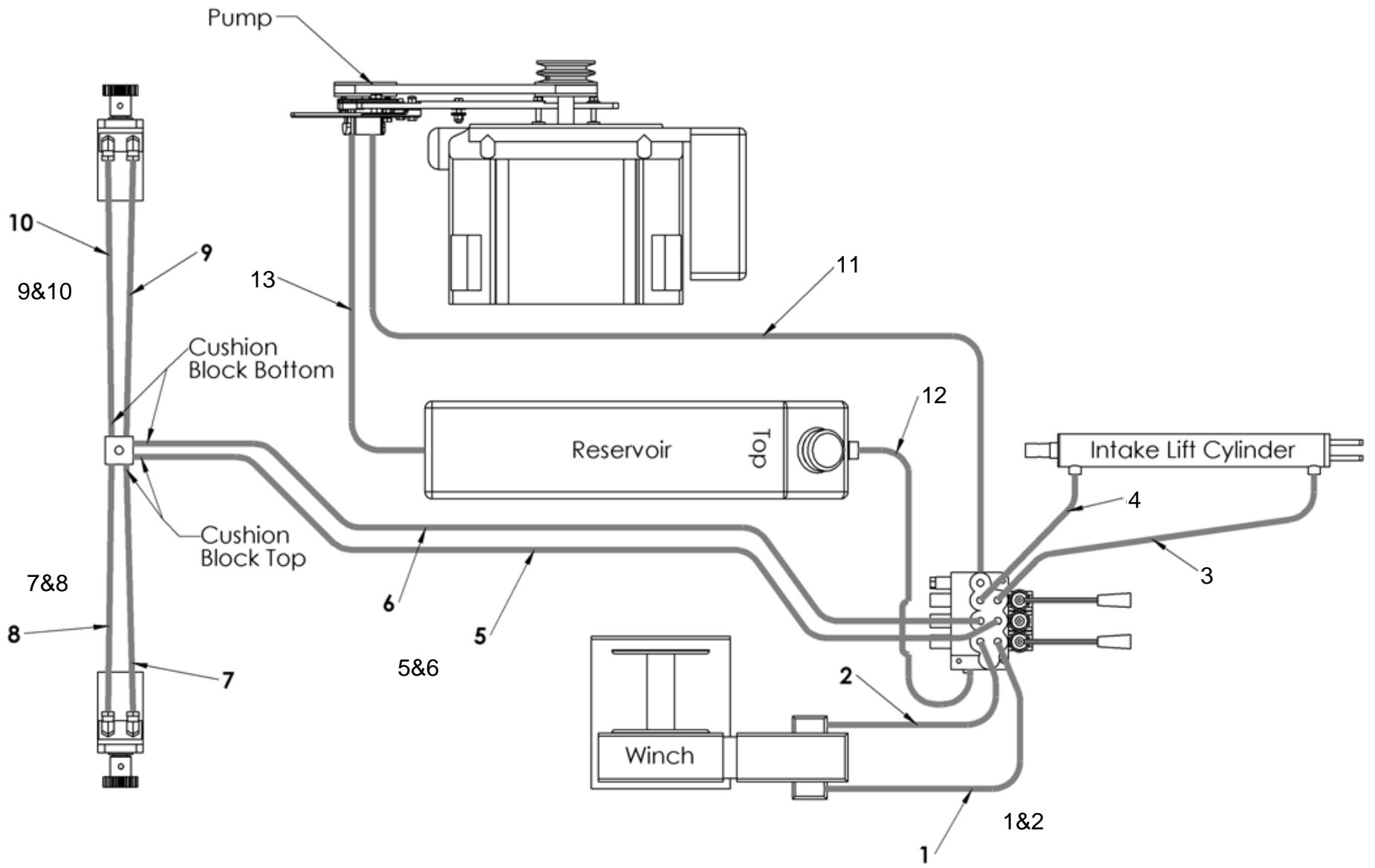
SP KIT HYDRAULIC LINES 8 & 10X36 0200324A-61

ITEM	PART NO.	DESCRIPTION
1&2	10-28234	Control valve to/from winch valve (3/8" - 132")
3	10-28223	Control valve to cylinder inlet port (3/8" - 26")
4	10-28225	cylinder exit port to control valve (3/8" - 40")
5&6	10-28238	control valve to/from cushion block (3/8" - 177")
7&8	10-28228	cushion block to/from drive motor (3/8" - 48")
9&10	10-28229	cushion block to/from drive motor (3/8" - 50")
11	10-28247	out from hydraulic pump to control valve inlet port (1/2" - 182")
12	10-28243	out from control valve to oil reservoir inlet (1/2" - 94")
13	10-28252	out from oil reservoir to hydraulic pump inlet (3/4" - 48")



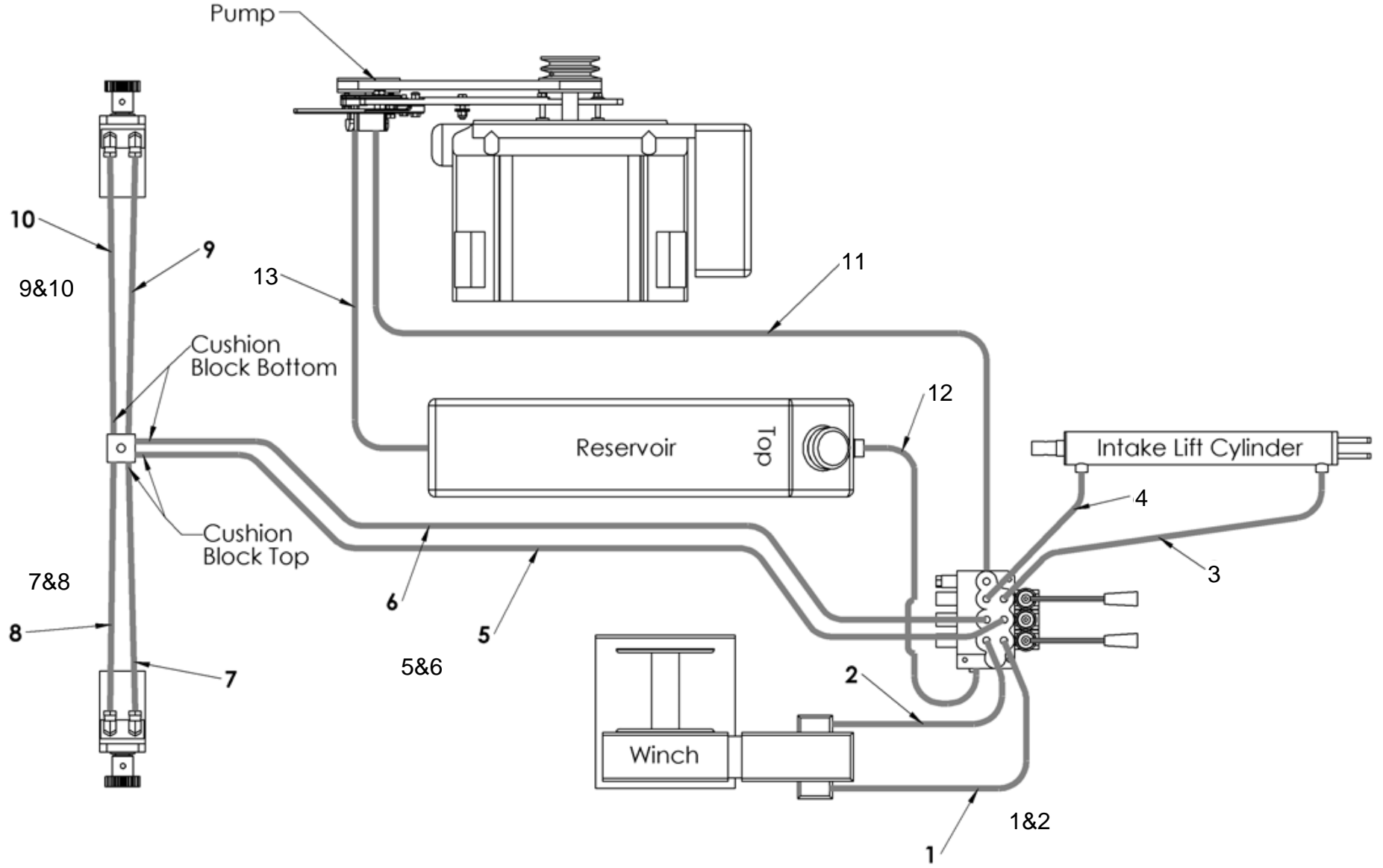
SP KIT HYDRAULIC LINES 8 & 10X41 0200324A-62

ITEM	PART NO.	DESCRIPTION
1&2	10-28235	Control valve to/from winch valve (3/8" - 140")
3	10-28224	Control valve to cylinder inlet port (3/8" - 36")
4	10-28230	cylinder exit port to control valve (3/8" - 52")
5&6	10-29360	control valve to/from cushion block (3/8" - 200")
7&8	10-28229	cushion block to/from drive motor (3/8" - 50")
9&10	10-28231	cushion block to/from drive motor (3/8" - 60")
11	10-28249	out from hydraulic pump to control valve inlet port (1/2" - 214")
12	10-28244	out from control valve to oil reservoir inlet (1/2" - 136")
13	10-28252	out from oil reservoir to hydraulic pump inlet (3/4" - 48")



SP KIT HYDRAULIC LINES 8X46 0200324A-63

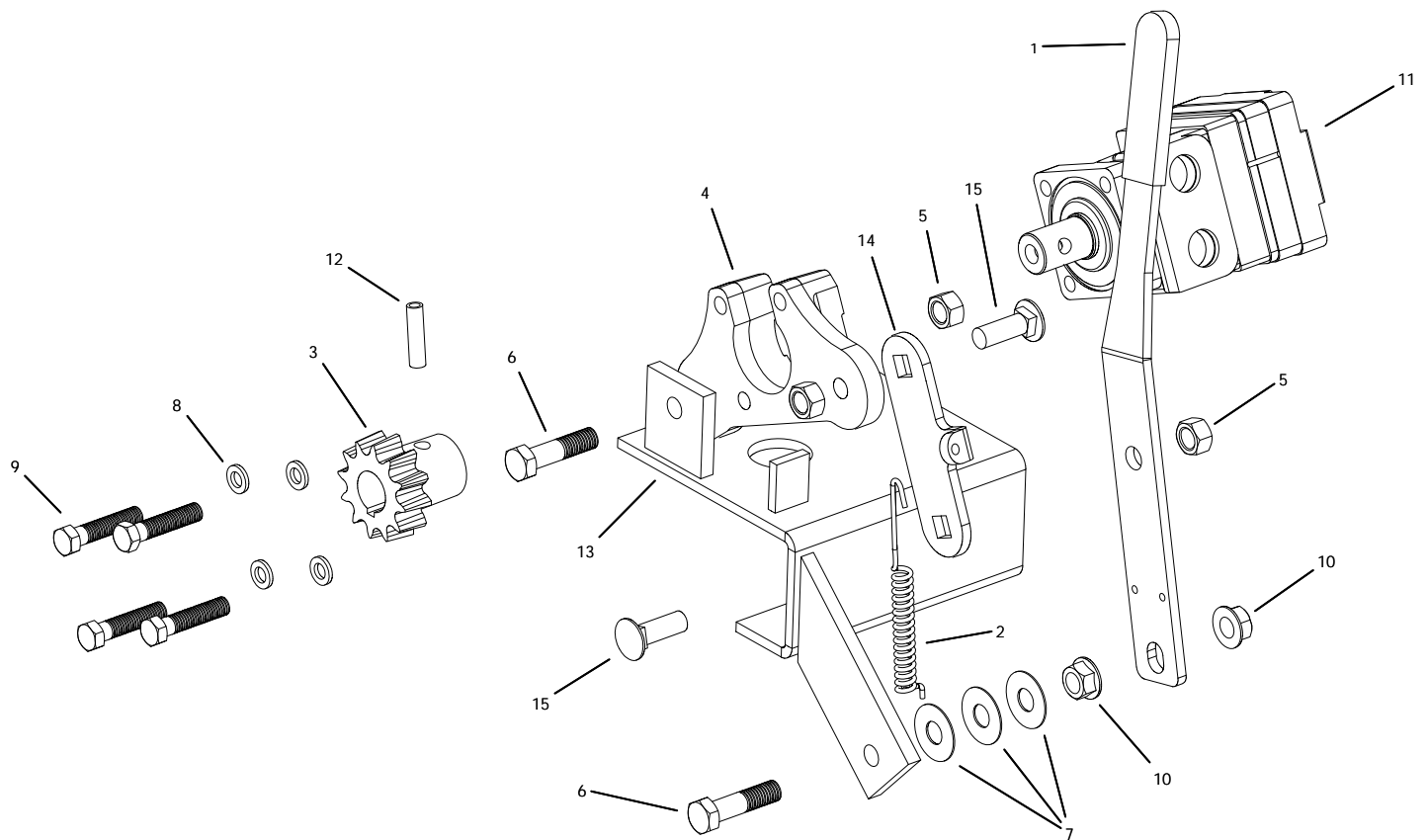
ITEM	PART NO.	DESCRIPTION
1&2	10-28237	Control valve to/from winch valve (3/8" - 175")
3	10-28226	Control valve to cylinder inlet port (3/8" - 44")
4	10-29361	cylinder exit port to control valve (3/8" - 60")
5&6	10-28240	control valve to/from cushion block (3/8" - 235")
7&8	10-28229	cushion block to/from drive motor (3/8" - 50")
9&10	10-28231	cushion block to/from drive motor (3/8" - 60")
11	10-28250	out from hydraulic pump to control valve inlet port (1/2" - 245")
12	10-28246	out from control valve to oil reservoir inlet (1/2" - 165")
13	10-28252	out from oil reservoir to hydraulic pump inlet (3/4" - 48")



SP KIT HYDRAULIC LINES 8X51 0200324A-64

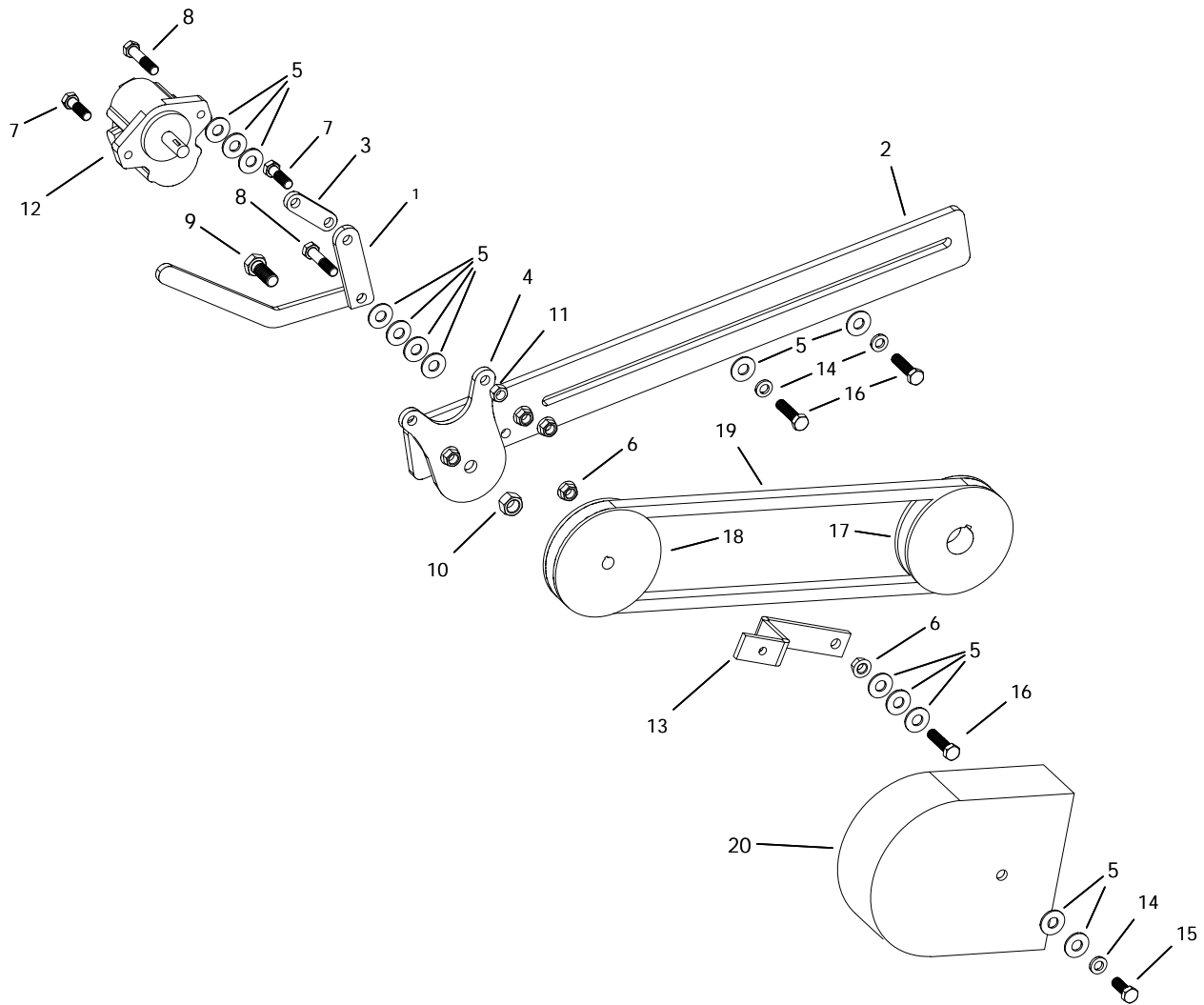
ITEM	PART NO.	DESCRIPTION
1&2	10-28239	Control valve to/from winch valve (3/8" - 200")
3	10-28227	Control valve to cylinder inlet port (3/8" - 46")
4	10-28232	cylinder exit port to control valve (3/8" - 62")
5&6	10-28241	control valve to/from cushion block (3/8" - 260")
7&8	10-28229	cushion block to/from drive motor (3/8" - 50")
9&10	10-28231	cushion block to/from drive motor (3/8" - 60")
11	10-28251	out from hydraulic pump to control valve inlet port (1/2" - 280")
12	10-28248	out from control valve to oil reservoir inlet (1/2" - 200")
13	10-28252	out from oil reservoir to hydraulic pump inlet (3/4" - 48")

SP KIT GEAR DRIVE COMPONENTS



ITEM	PART NO.	DESCRIPTION
1	10-28188	HANDLE W/GRIP
2	10-28186	SPRING FOR HANDLE
3	10-28181	PINION GEAR,MACHINED/DRILLED
4	10-29947	EYEGLOSS, SP KIT
5	10-19599	1/2" NC NYLON LOCKNUT GR 2 PLTD
6	10-27816	1/2" X 2" NC BOLT GR 5 PLTD
7	10-17401	1/2" FLAT WASHER PLTD
8	10-19604	3/8" LOCK WASHER PLTD
9	10-27979	3/8" X 2" NC BOLT GR 5 PLTD
10	10-28261	1/2" SERRATED FLANGE NUT GR 2 PLTD
11	10-28183	ORBIT HYDRAULIC MOTOR 9901001PRP
12	10-28260	3/8" X 1-1/2" ROLL PIN
13	10-27865	WHEEL MOTOR MOUNT BRACKET LH TF/TFX
13A	10-27864	WHEEL MOTOR MOUNT BRACKET RH TF/TFX (NOT SHOWN)
14	10-28185	OVER-CENTER LINK SP WHEEL MOVE, BENT
15	10-17807	1/2" X 1-1/2"CARRIAGE BOLT GR 2 PLTD

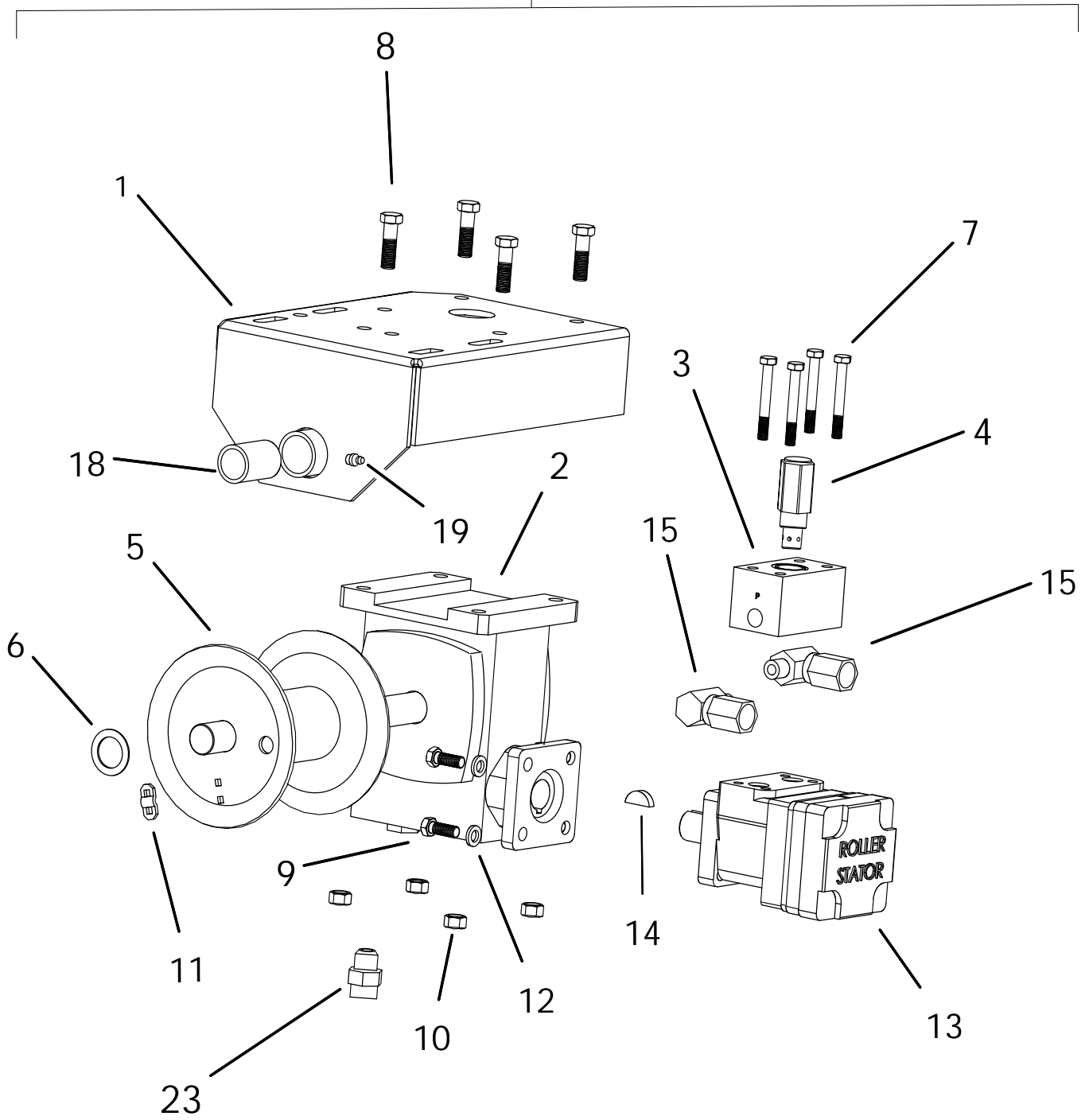
SP KIT GEAR PUMP COMPONENTS



ITEM	PART NO.	DESCRIPTION
1	10-29799	HANDLE, OVERCENTRE BRACKET
2	10-28207	BRACKET, O.C SLIDER BAR, REG&MED, LONG
3	9900190-2	HANDLE LINKAGE
4	10-29807	YOKE, OVERCENTRE BRACKET
5	10-17392	3/8" FLAT WASHER PLTD
6	10-17402	3/8" NC NYLON LOCKNUT PLTD
7	10-19975	3/8" X 1-1/4" NC BOLT GR 5 PLTD
8	10-28450	3/8" X 1-3/4" NC BOLT GRADE 5 PLTD
9	10-19588	1/2" X 1-1/4" NC BOLT GR 5 PLTD
10	10-28357	1/2" NC NYLON JAMNUT PLTD
11	10-17754	3/8" NC HEX NUT PLAIN
12	10-28205	PUMP,GEAR,PARKER D27AA1D
13	10-28164	BRACKET FOR PUMP GUARD ON SP
14	10-19604	LOCKWASHER, 3/8"
15	10-18955	3/8" X 1" NC BOLT GR 5 PLTD
16	9900637	3/8" X 1-1/2" NC TAP BOLT GR5 PLTD
17	10-28061	PULLEY,4-1/2 X 1-1/8,1B,1/4 KEY
18	10-28200	PULLEY,4-1/2 X 1/2,1B,3/16 KEY
19	9900081	B41 BELT
20	10-28165	PUMP GUARD,SP KIT,WF

HYDRAULIC WINCH (A197) COMPONENTS

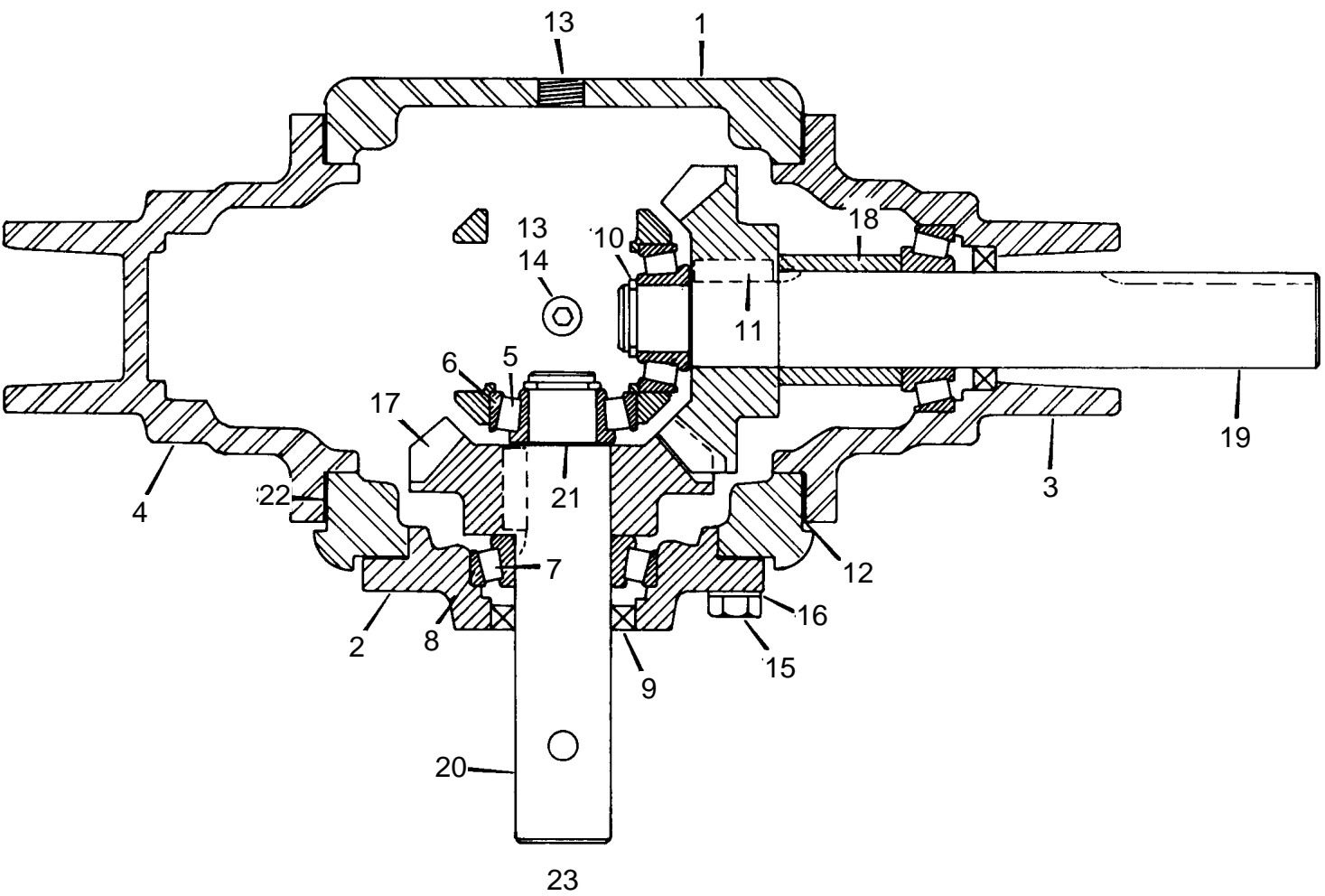
24



HYDRAULIC WINCH (A197) COMPONENTS

ITEM	PART NO.	DESCRIPTION
1	10-17628	WINCH FRAME
2	10-17625	GEAR BOX W/INTEGRAL MOTOR MOUNT
3	10-28221	MANIFOLD WINCH RELIEF BLOCK
4	10-28222	VALVE WINCH NON-ADJ RELIEF MANIFOLD
5	10-17629	HYD WINCH DRUM
6	10-18097	1" RIM WASHER
7	10-17631	BOLT, 5/16" X 2-1/2" NC GR2 PLTD
8	10-28744	BOLT, 7/16" X 1-1/2" GR5 PLTD
9	10-18955	BOLT, 3/8" X 1" NC GR 5 PLTD
10	10-19598	NYLON LOCKNUT, 7/16" PLTD
11	10-18496	ROPE KEEPER KIT
12	10-19604	LOCKWASHER, 3/8"
13	10-17626	HYDRAULIC MOTOR 3.2, MANIFOLD, KEYED
14	10-19224	WOODRUFF KEY, 1/4 X 1
15	1100625	STEEL ELBOW 90, 1/2FNPSMX3/8MNPT
18	10-19149	BUSHING, 1" ID X 1-1/4" OD OILITE
19	10-19222	GREASE NIPPLE, 5/16" PRESS IN
20	10-19975	BOLT, 3/8"X1-1/4" NC GR5 PLTD (NOT SHOWN)
21	10-17402	3/8" NC NYLON LOCKNUT PLTD (NOT SHOWN)
22	10-17392	3/8" FLAT WASHER PLTD (NOT SHOWN)
23	10-21496	STEEL PIPE PLUG, M16 X 1.5
24	10-17634	HYDRAULIC WINCH ASSEMBLY, RED

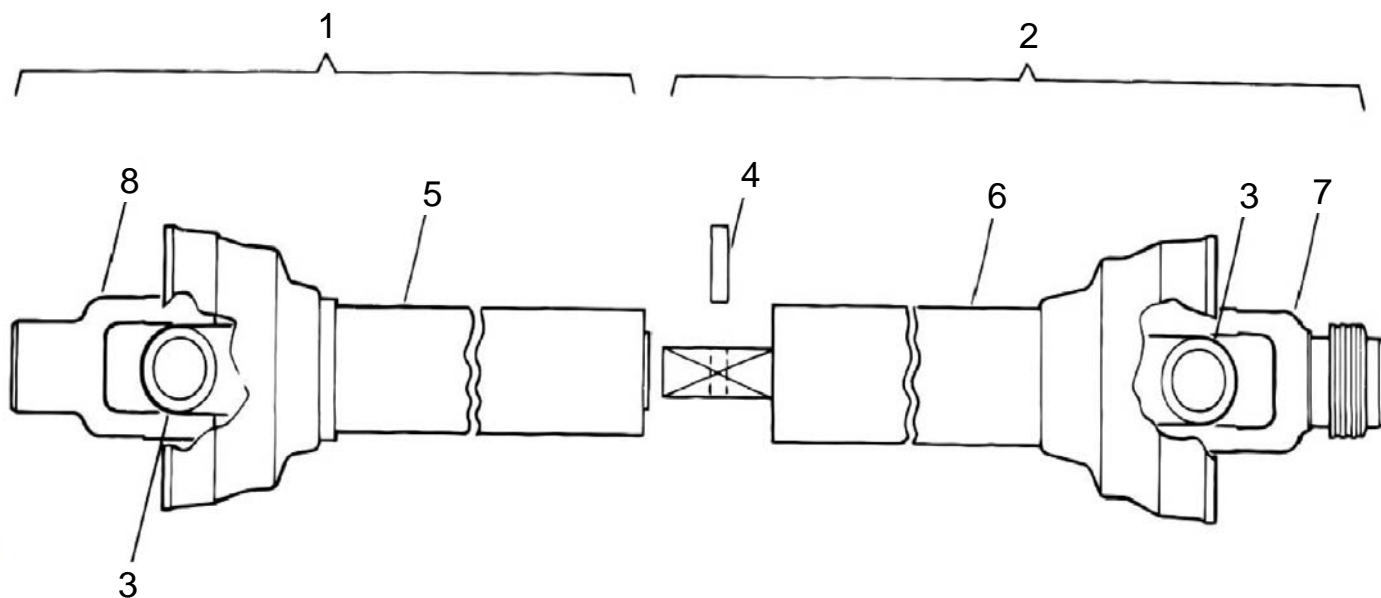
GEARBOX (10-19473) COMPONENTS



GEARBOX (10-19473) COMPONENTS

ITEM	PART NO.	DESCRIPTION
1	10-18395	Housing
2	10-18391	Bearing cap
3	10-18417	Bearing cap
4	10-18418	Cover cap
5	10-18379	Bearing cone, Timken #LM 11749
6	10-18378	Bearing cup, Timken #LM 11710
7	10-18383	Bearing cone, Timken #L 44643
8	10-18382	Bearing cup, Timken #1 44610
9	10-18386	Seal, (National \$470553, CR #9843)
10	10-18420	Retainer
11	10-18380	Sq. key, 1/4" x 3/4"
12	10-18390	Gasket (.005)
13	10-18393	1/4" pipe plug, solid
14	10-18394	1/4" pipe plug, vented
15	10-18091	5/16" X 1" NC BOLT GR 2 PLTD
16	10-19603	Lockwasher, 5/16"
17	10-18381	Gear
18	10-18384	Spacer
19	10-18408	Pinion shaft, w/keyway
20	10-18409	Pinion shaft, w/hole
21	10-18415	Shim spacer
22	10-18390	Gasket
23	10-19473	Gearbox, complete

PTO SHAFT "WEASLER"-12R (19945)



9 - PTO SHAFT

TRACTOR END

60" LONG

ITEM	PART NO.	DESCRIPTION
1	10-18595	1/2 PTO shaft, implement end, 60"
2	10-18597	1/2 PTO shaft, tractor end, 60"
3	10-18473	Universal joint repair kit
4	10-18593	Roll pin, 1/4" x 1"
5	10-18603	Inner plastic shield, 60", c/w retainer ring and nylon bearing
6	10-18605	Outer plastic shield, 60", c/w retainer ring & nylon bearing
7	10-18471	Snap hitch yoke
8	10-18476	Implement yoke, 1" bore
9	10-19945	60" PTO - Shaft, complete



P.O. Box 39

Rosenort, Manitoba, R0G 1W0 Canada

Phone: (866) 467-7207 (Canada & USA) or (204) 746-2396

Fax: (866) 768-4852

website: www.grinaugers.com

email: sales@grinaugers.com

© Ag Growth International Inc. 2019

Printed in Canada