

WESTFIELD 

TR AUGER, BOOT, HOPPER

PARTS MANUAL

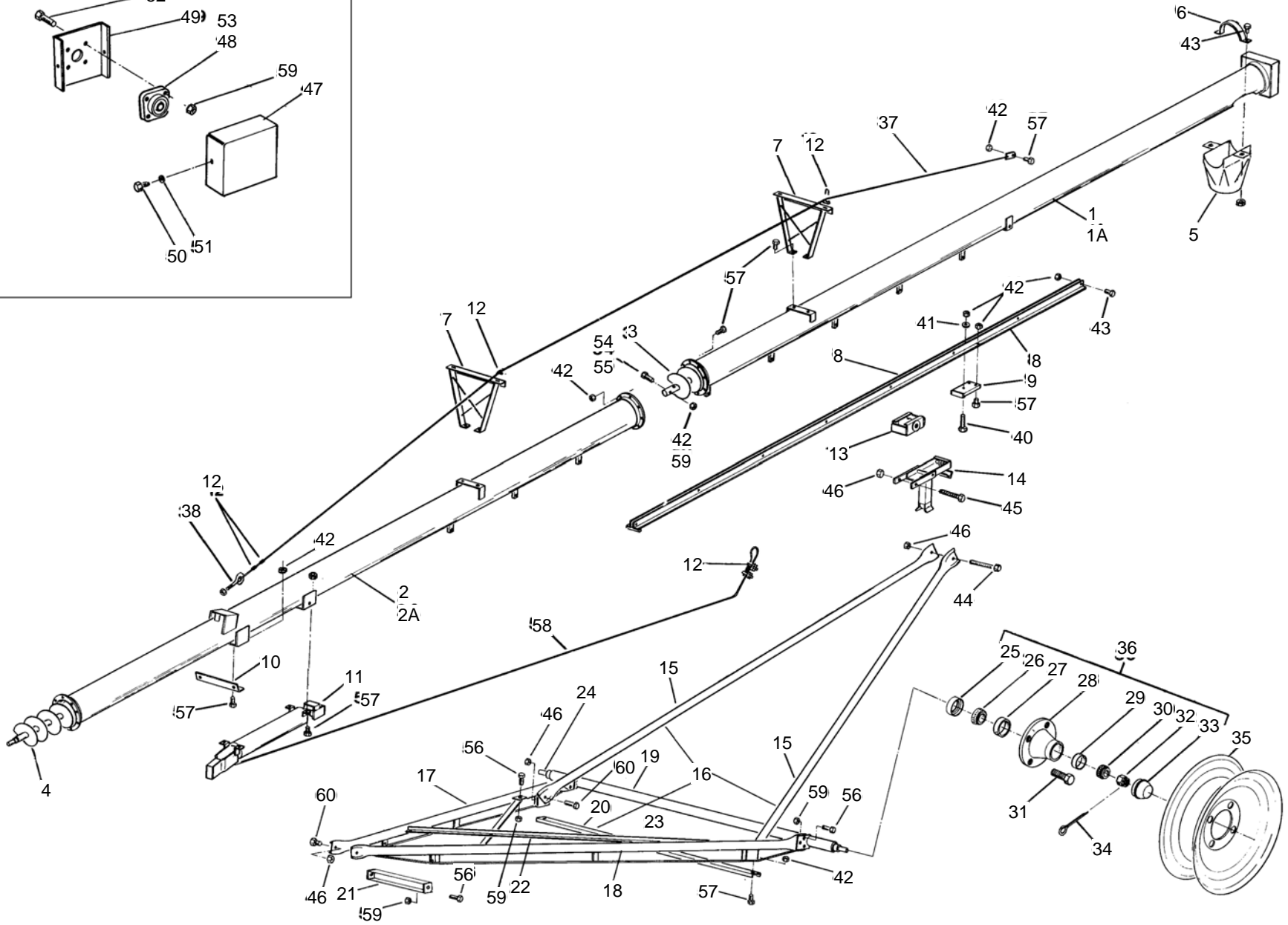
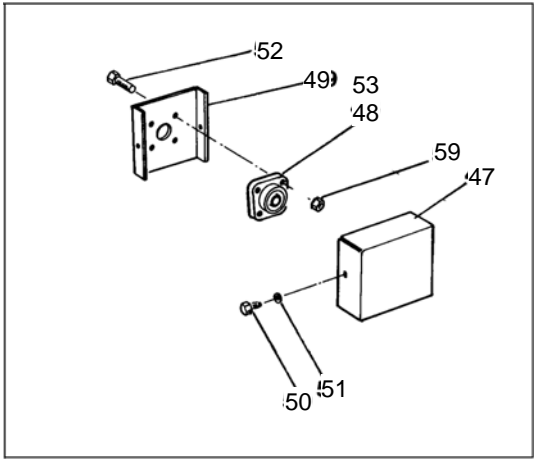
Revised: 01/06/2015

AGI 

TABLE OF CONTENTS

| DESCRIPTION | PAGE |
|---|------|
| TR80-51 BASIC AUGER | 4 |
| TR100-51 BASIC AUGER | 8 |
| TR80- 61 BASIC AUGER | 12 |
| TR100-61 BASIC AUGER | 16 |
| TR80-71 BASIC AUGER | 20 |
| TR100-71 BASIC AUGER | 24 |
| TR SWING HOPPER-8" | 28 |
| TR SWING HOPPER-10" | 30 |
| TR BOOT AND HOPPER LIFTARM ASSEMBLY-8" | 32 |
| TR BOOT AND HOPPER LIFTARM ASSEMBLY-10" | 34 |
| TR HYDRAULIC LIFT CYLINDER-TR51 | 36 |
| TR HYDRAULIC LIFT CYLINDER-TR61 | 38 |
| TR HYDRAULIC LIFT CYLINDER-TR71 | 40 |
| TR REVERSING KIT | 42 |

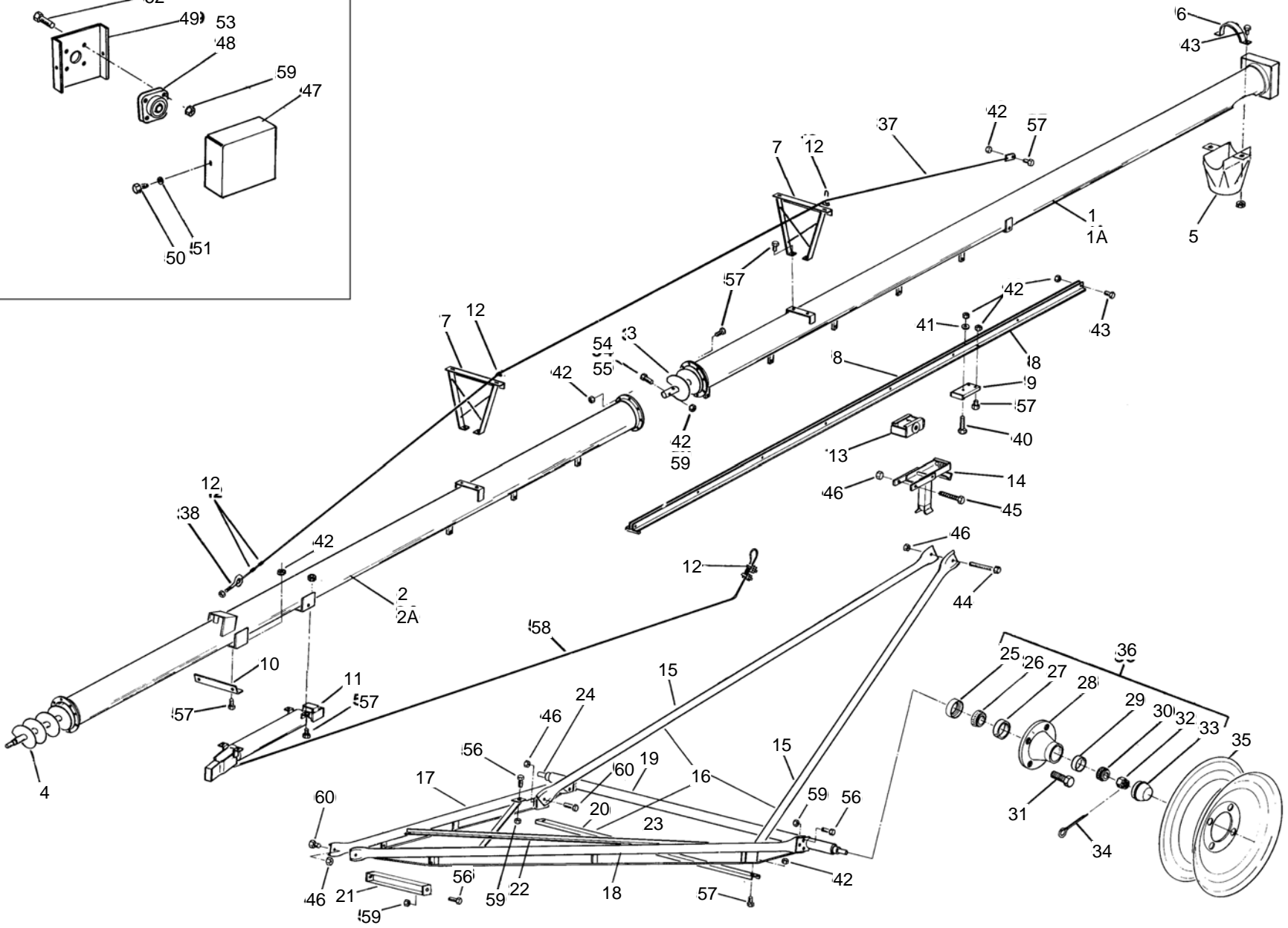
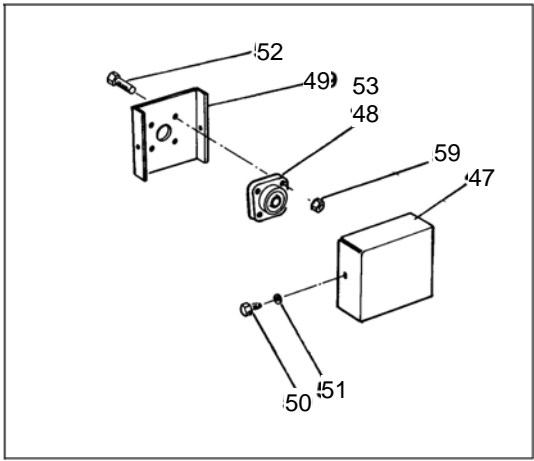
TR80-51 BASIC AUGER



TR80-51 BASIC AUGER

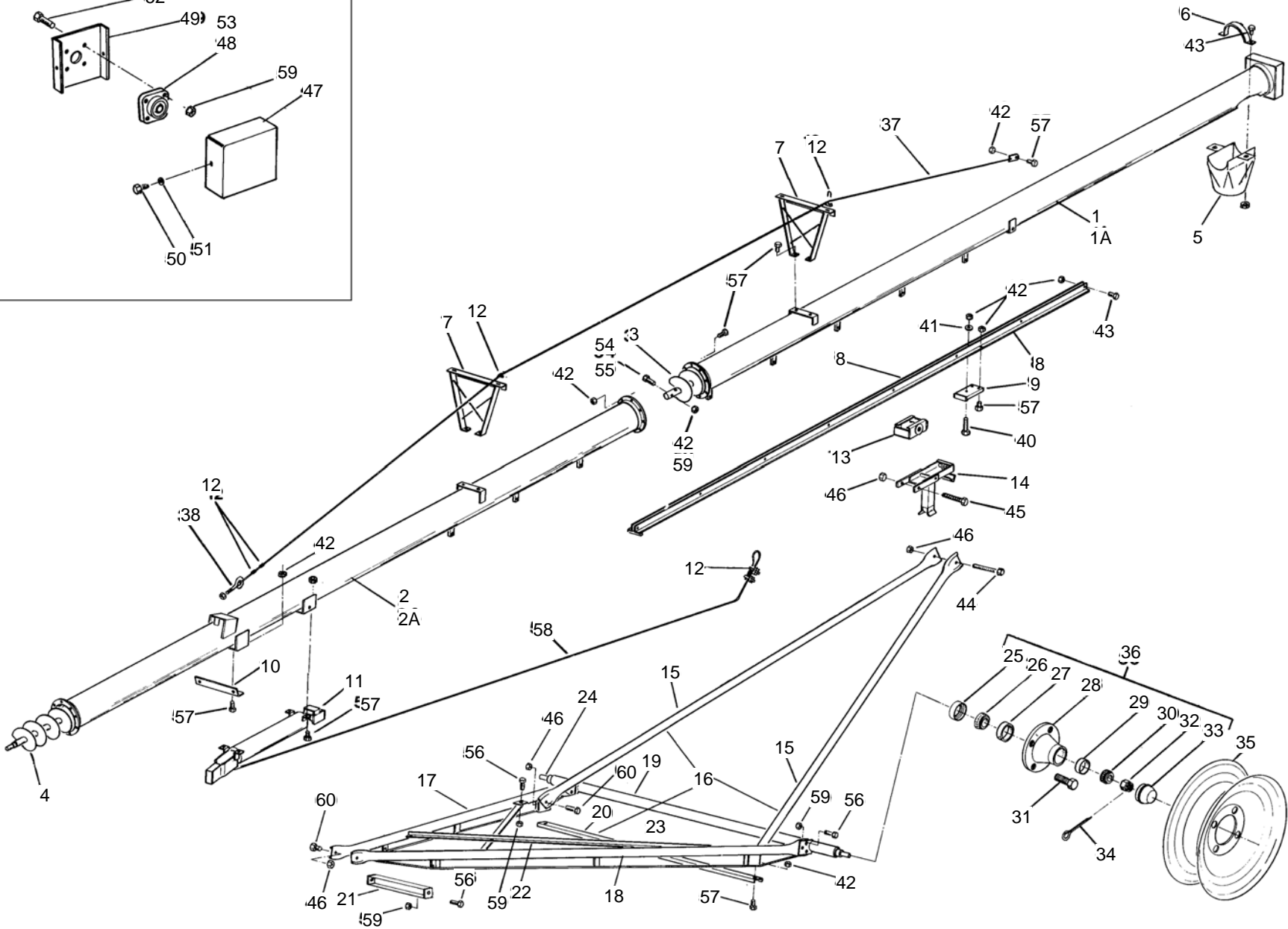
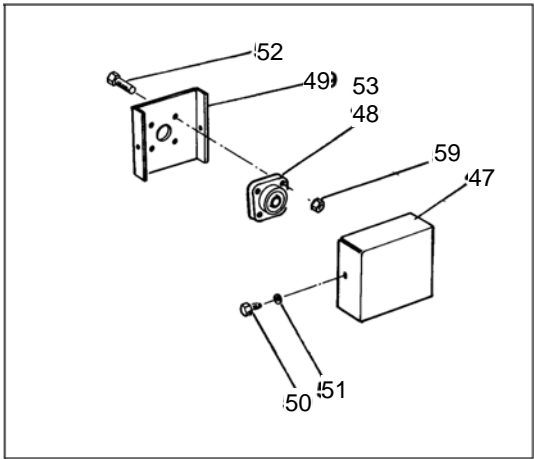
| ITEM | PART NO. | DESCRIPTION |
|------|----------|---|
| 1 | 10-18001 | Upper tube section w/housing |
| 1A | 10-18012 | Upper tube bundle, as shipped |
| 2 | 10-18007 | Lower tube section |
| 2A | 10-18018 | Lower tube bundle, as shipped |
| 3 | 10-19402 | Upper flight section |
| 4 | 10-18023 | Lower flight section |
| 5 | 10-29306 | Strap-on spout, less tube half bands |
| 6 | 10-19460 | Tube half band |
| 7 | 10-19324 | Truss support bracket, low |
| 8 | 10-19772 | Bolt-on track |
| 9 | 10-18030 | Track stop |
| 10 | 10-18031 | Truss attach angle |
| 11 | 10-18033 | Hydraulic cylinder w/pulleys & cable |
| 12 | 10-19333 | 5/16" cable clamp |
| 13 | 10-18036 | Roller track shoe |
| 14 | 10-18037 | Lift assist bracket |
| 15 | 10-19792 | Upper lift tube, left or right |
| 16 | 10-19793 | Upper lift bundle, as shipped, includes ref. #15 & 20 |
| 17 | 10-19789 | Lower reach tube, left |
| 18 | 10-19790 | Lower reach tube, right |
| 19 | 10-18090 | Axle w/spindles, nuts, cotter pins |
| 20 | 10-19376 | crossmember |
| 21 | 10-18914 | Short crossmember, 2 bolt |
| 22 | 10-19796 | Single cross-brace |
| 23 | 10-19791 | Lower reach frame bundle, as shipped |
| 24 | 10-19263 | Spindle, weld on |
| 25 | 10-19264 | Seal |
| 26 | 10-19265 | Large bearing, Timken #LM 67048 |
| 27 | 10-19266 | Large cup, Timken #LM 67010 |
| 28 | 10-19267 | Hub w/cups |
| 29 | 10-19268 | Small cup, Timken #LM 11910 |
| 30 | 10-19269 | Small bearing, Timken #LM 11949 |
| 31 | 10-19273 | Wheel bolt, 1/2" - 20 |
| 32 | 10-19270 | Slotted nut, 3/4" - 16 |
| 33 | 10-19272 | Dust cap |
| 34 | 10-19271 | Cotter pin, 1/8" x 1-1/2" |
| 35 | 10-19261 | 15" wheel, 4 bolt |
| 36 | 10-19467 | Hub assembly complete |
| 37 | 10-19327 | Single truss cable w/end plate, 32' 6" long |
| 38 | 10-19331 | Eyebolt, with nut |
| 39 | 10-19602 | Hex nut, 1/2" - 13 |
| 40 | 10-19546 | Bolt, 7/16" - 14 x 3", grade 2 |
| 41 | 10-18095 | Plate washer, 7/16" |
| 42 | 10-19598 | Locknut, 7/16" - 14 |
| 43 | 10-19981 | Bolt, 7/16" - 14 x 1-3/4", grade 5 |
| 44 | 10-18094 | Bolt, 3/4" - 10 x 7-1/2", grade 5 |
| 45 | 10-19593 | Bolt, 3/4" - 10 x 6-1/2", grade 5 |
| 46 | 10-19601 | Locknut, 3/4" - 10 |
| 47 | 10-18038 | Housing cover |
| 48 | 10-19567 | 1-1/4" bearing, 4 bolt |

TR80-51 BASIC AUGER



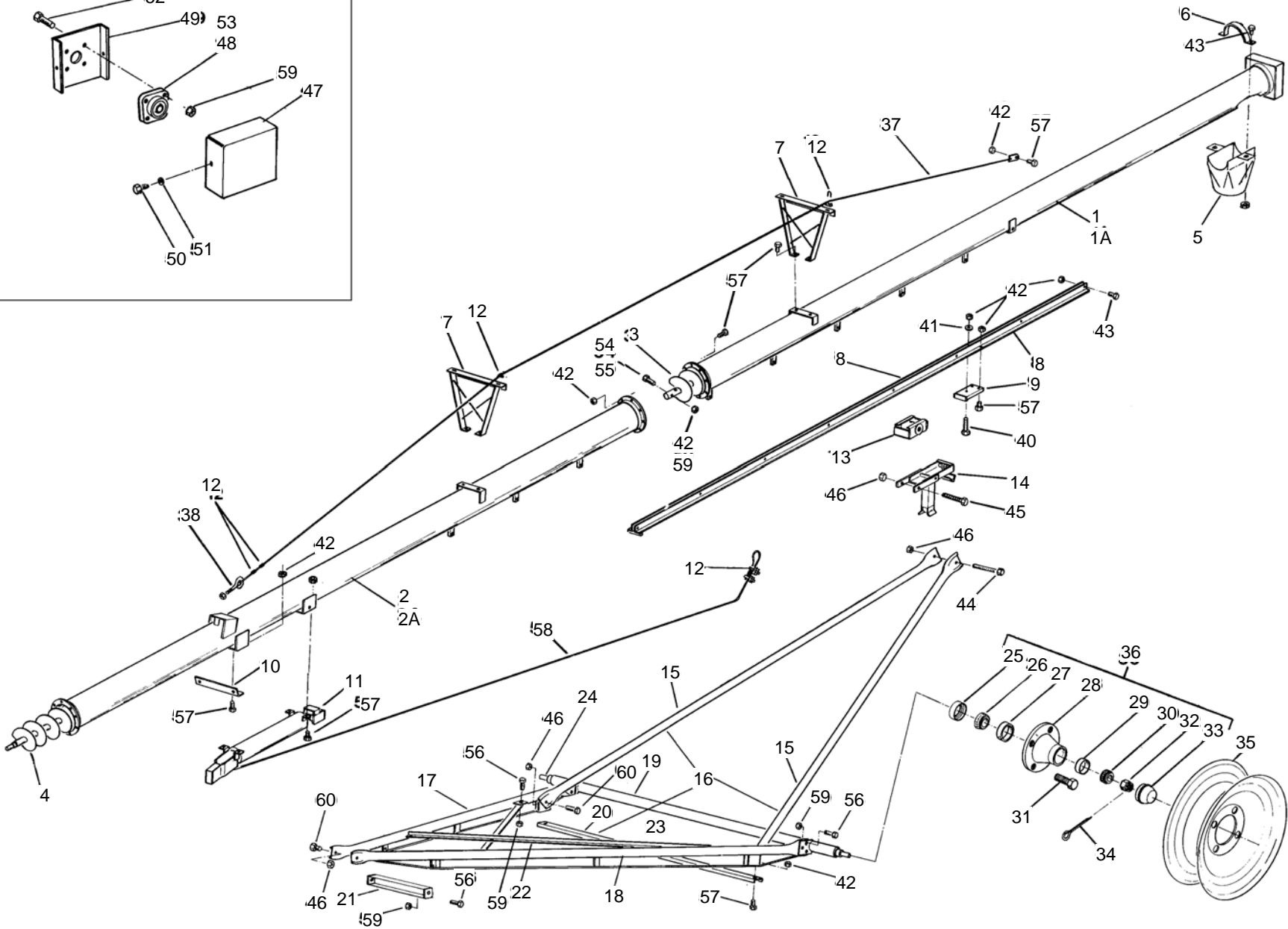
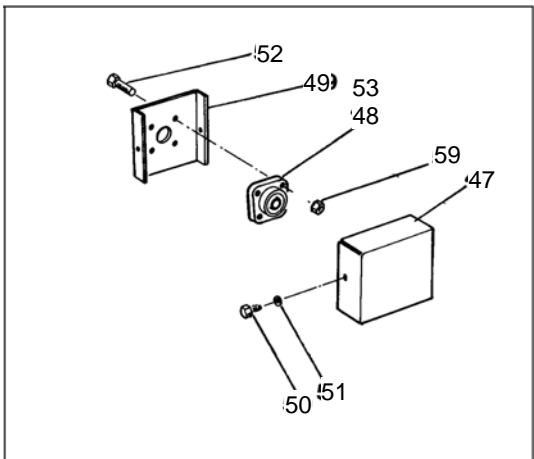
TR80-51 BASIC AUGER

| ITEM | PART NO. | DESCRIPTION |
|------|----------|------------------------------------|
| 49 | 10-18040 | Housing |
| 50 | 10-19538 | Bolt, 5/16" - 18 x 3/4", grade2 |
| 51 | 10-19603 | Lockwasher, 5/16" |
| 52 | 10-19589 | Bolt, 1/2" - 13 x 1-1/2", grade 2 |
| 53 | 10-18852 | 1-1/4" bearing, less flanges |
| 55 | 10-19545 | Bolt, 7/16" - 14 x 2-1/4", grade 8 |
| 56 | 10-19588 | Bolt, 1/2" - 13 x 1-1/4", grade 5 |
| 57 | 10-19542 | Bolt, 7/16" - 14 x 1", grade 5 |
| 58 | 10-18042 | 5/16" cable, 55' 6" long |
| 59 | 10-19599 | Locknut, 1/2" - 13 |
| 60 | 10-19592 | Bolt, 3/4" - 10 x 2", grade 5 |



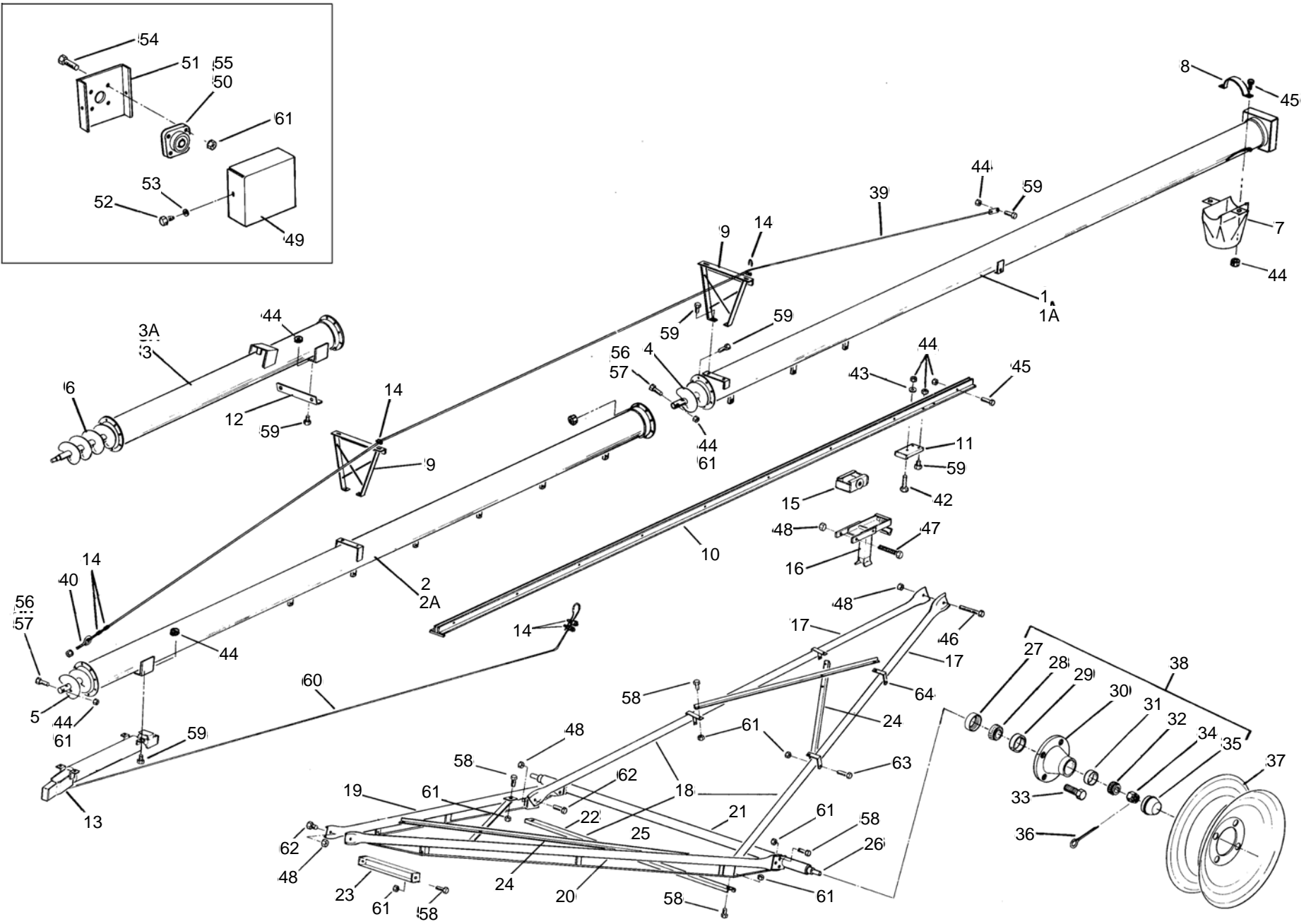
TR100-51 BASIC AUGER

| ITEM | PART NO. | DESCRIPTION |
|------|----------|---|
| 1 | 10-18002 | Upper tube section w/housing |
| 1A | 10-18013 | Upper tube bundle, as shipped |
| 2 | 10-18008 | Lower tube section |
| 2A | 10-18019 | Lower tube bundle, as shipped |
| 3 | 10-19753 | Upper flight section |
| 4 | 10-18024 | Lower flight section |
| 5 | 10-29307 | Strap-on spout, less tube half bands |
| 6 | 10-19801 | Tube half band |
| 7 | 10-19324 | Truss support bracket, low |
| 8 | 10-19772 | Bolt-on track |
| 9 | 10-18030 | Track stop |
| 10 | 10-18032 | Truss attach angle |
| 11 | 10-18033 | Hydraulic cylinder w/pulleys & cable |
| 12 | 10-19333 | 5/16" cable clamp |
| 13 | 10-18036 | Roller track shoe |
| 14 | 10-18037 | Lift assist bracket |
| 15 | 10-19792 | Upper lift tube, left or right |
| 16 | 10-19793 | Upper lift bundle, as shipped, includes ref. #15 & 20 |
| 17 | 10-19789 | Lower reach tube, left |
| 18 | 10-19790 | Lower reach tube, right |
| 19 | 10-18090 | Axle w/spindles, nuts, cotter pins |
| 20 | 10-19376 | crossmember |
| 21 | 10-18914 | Short crossmember, 2 bolt |
| 22 | 10-19796 | Single cross-brace |
| 23 | 10-19791 | Lower reach frame bundle, as shipped |
| 24 | 10-19263 | Spindle, weld on |
| 25 | 10-19264 | Seal |
| 26 | 10-19265 | Large bearing, Timken #LM 67048 |
| 27 | 10-19266 | Large cup, Timken #LM 67010 |
| 28 | 10-19267 | Hub w/cups |
| 29 | 10-19268 | Small cup, Timken #LM 11910 |
| 30 | 10-19269 | Small bearing, Timken #LM 11949 |
| 31 | 10-19273 | Wheel bolt, 1/2" - 20 |
| 32 | 10-19270 | Slotted nut, 3/4" - 16 |
| 33 | 10-19272 | Dust cap |
| 34 | 10-19271 | Cotter pin, 1/8" x 1-1/2" |
| 35 | 10-19261 | 15" wheel, 4 bolt |
| 36 | 10-19467 | Hub assembly complete |
| 37 | 10-19327 | Single truss cable w/end plate, 32' 6" long |
| 38 | 10-19331 | Eyebolt, with nut |
| 39 | 10-19602 | Hex nut, 1/2" - 13 |
| 40 | 10-19546 | Bolt, 7/16" - 14 x 3", grade 2 |
| 41 | 10-18095 | Plate washer, 7/16" |
| 42 | 10-19598 | Locknut, 7/16" - 14 |
| 43 | 10-19981 | Bolt, 7/16" - 14 x 1-3/4", grade 5 |
| 44 | 10-18094 | Bolt, 3/4" - 10 x 7-1/2", grade 5 |
| 45 | 10-19593 | Bolt, 3/4" - 10 x 6-1/2", grade 5 |
| 46 | 10-19601 | Locknut, 3/4" - 10 |
| 47 | 10-18039 | Housing cover |
| 48 | 10-19567 | 1-1/4" bearing, 4 bolt |



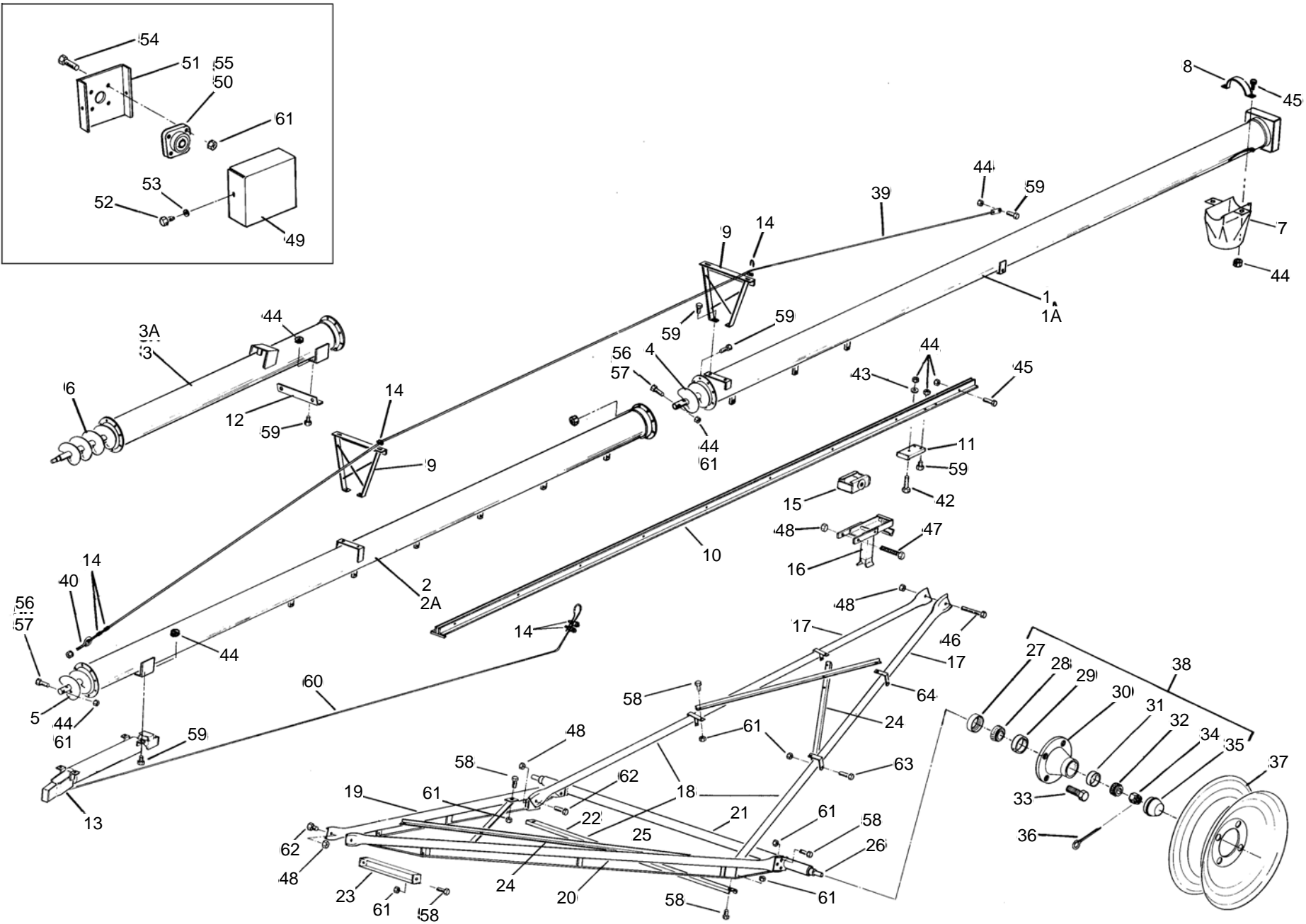
TR100-51 BASIC AUGER

| ITEM | PART NO. | DESCRIPTION |
|------|----------|-----------------------------------|
| 49 | 10-18041 | Housing |
| 50 | 10-19538 | Bolt, 5/16" - 18 x 3/4", grade2 |
| 51 | 10-19603 | Lockwasher, 5/16" |
| 52 | 10-19589 | Bolt, 1/2" - 13 x 1-1/2", grade 2 |
| 53 | 10-18852 | 1-1/4" bearing, less flanges |
| 54 | 10-19798 | Bolt, 1/2" - 13 x 2-3/4", grade 8 |
| 56 | 10-19588 | Bolt, 1/2" - 13 x 1-1/4", grade 5 |
| 57 | 10-19542 | Bolt, 7/16" - 14 x 1", grade 5 |
| 58 | 10-18042 | 5/16" cable, 55' 6" long |
| 59 | 10-19599 | Locknut, 1/2" - 13 |
| 60 | 10-19592 | Bolt, 3/4" - 10 x 2", grade 5 |



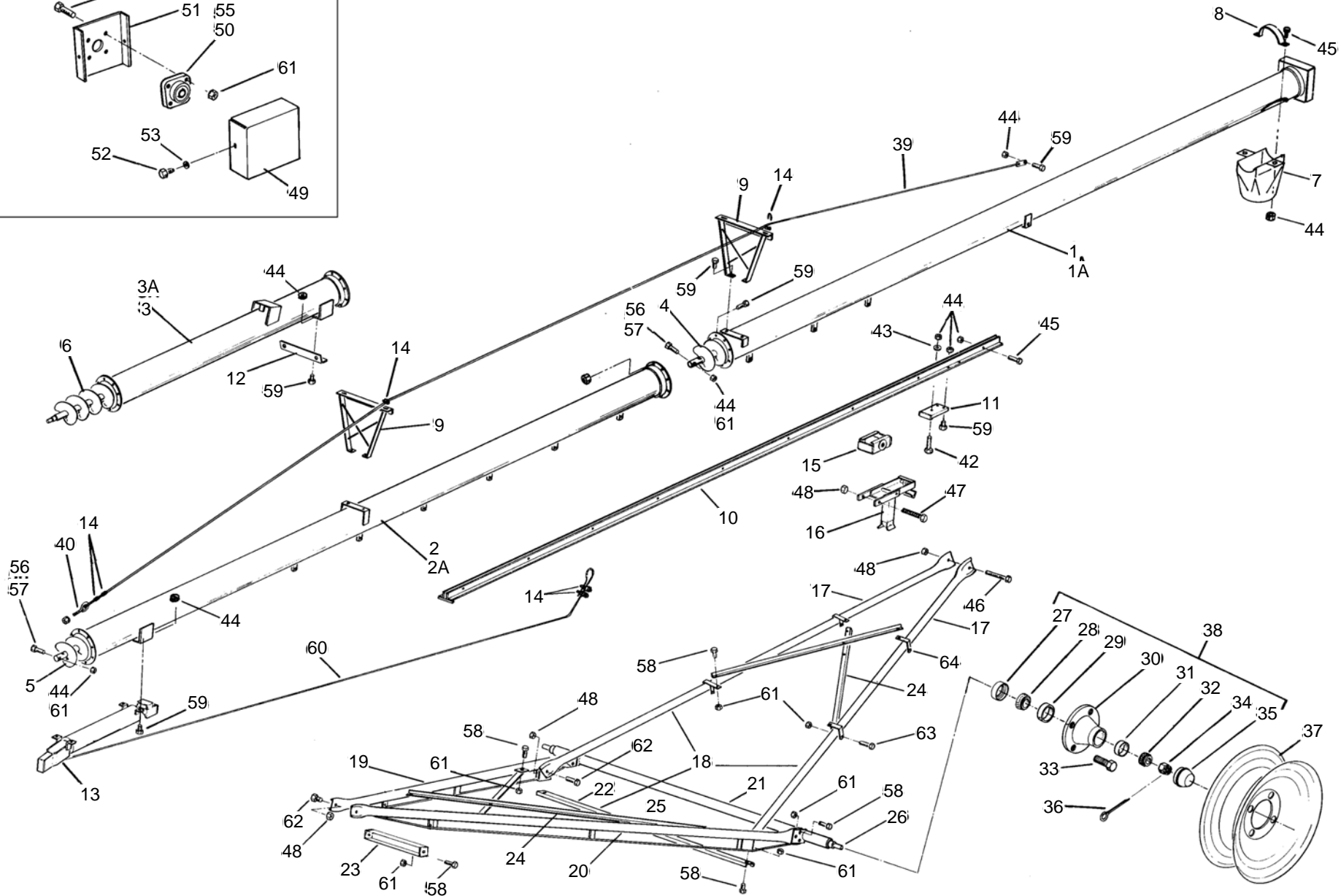
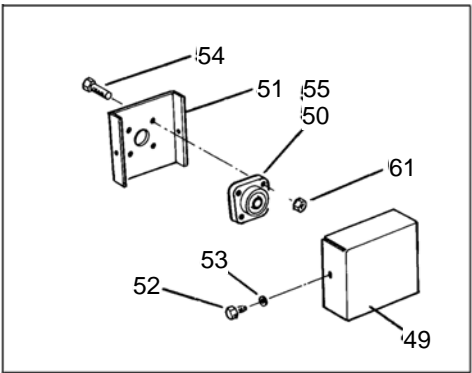
TR80- 61 BASIC AUGER

| ITEM | PART NO. | DESCRIPTION |
|------|----------|--|
| 1 | 10-18003 | Upper tube section w/housing |
| 1A | 10-18014 | Upper tube bundle, as shipped |
| 2 | 10-18005 | Center tube section |
| 2A | 10-18016 | Center tube bundle, as shipped |
| 3 | 10-18009 | Lower tube section |
| 3A | 10-18020 | Lower tube bundle, as shipped |
| 4 | 10-19402 | Upper flight section |
| 5 | 10-19552 | Center flight section |
| 6 | 10-18025 | Lower flight section |
| 7 | 10-29306 | Strap-on spout, less tube half bands |
| 8 | 10-19460 | Tube half band |
| 9 | 10-19324 | Truss support bracket, low |
| 10 | 10-19259 | Bolt-on track |
| 11 | 10-18030 | Track stop |
| 12 | 10-18031 | Truss attach angle |
| 13 | 10-18034 | Hydraulic cylinder w/pulleys & cable |
| 14 | 10-19333 | 5/16" cable clamp |
| 15 | 10-18036 | Roller track shoe |
| 16 | 10-18037 | Lift assist bracket |
| 17 | 10-19524 | Upper lift tube, left or right |
| 18 | 10-19534 | Upper lift bundle, as shipped incl ref#17&22 |
| 19 | 10-19358 | Lower reach tube, left |
| 20 | 10-19359 | Lower reach tube, right |
| 21 | 10-19342 | Axle w/spindles, nuts, cotter pins |
| 22 | 10-19378 | crossmember |
| 23 | 10-18914 | Short crossmember, 2 bolt |
| 24 | 10-19796 | Single cross-brace |
| 25 | 10-19369 | Lower reach frame bundle, as shipped |
| 26 | 10-19263 | Spindle, weld on |
| 27 | 10-19264 | Seal |
| 28 | 10-19265 | Large bearing, Timken #LM 67048 |
| 29 | 10-19266 | Large cup, Timken #LM 67010 |
| 30 | 10-19267 | Hub w/cups |
| 31 | 10-19268 | Small cup, Timken #LM 11910 |
| 32 | 10-19269 | Small bearing, Timken #LM 11949 |
| 33 | 10-19273 | Wheel bolt, 1/2" - 20 |
| 34 | 10-19270 | Slotted nut, 3/4" - 16 |
| 35 | 10-19272 | Dust cap |
| 36 | 10-19271 | Cotter pin, 1/8" x 1-1/2" |
| 37 | 10-19261 | 15" wheel, 4 bolt |
| 38 | 10-19467 | Hub assembly complete |
| 39 | 10-19328 | Single truss cable w/end plate 40' 4" long |
| 40 | 10-19331 | Eye bolt, with nut |
| 41 | 10-19602 | Hex nut, 1/2" - 13 |
| 42 | 10-19546 | Bolt, 7/16" - 14 x 3", grade 2 |
| 43 | 10-18095 | Plate washer, 7/16" |
| 44 | 10-19598 | Locknut, 7/16" - 14 |
| 45 | 10-19981 | Bolt, 7/16" - 14 x 1-3/4", grade 5 |
| 46 | 10-18094 | Bolt, 3/4" - 10 x 7-1/2", grade 5 |
| 47 | 10-19593 | Bolt, 3/4" - 10 x 6-1/2", grade 5 |



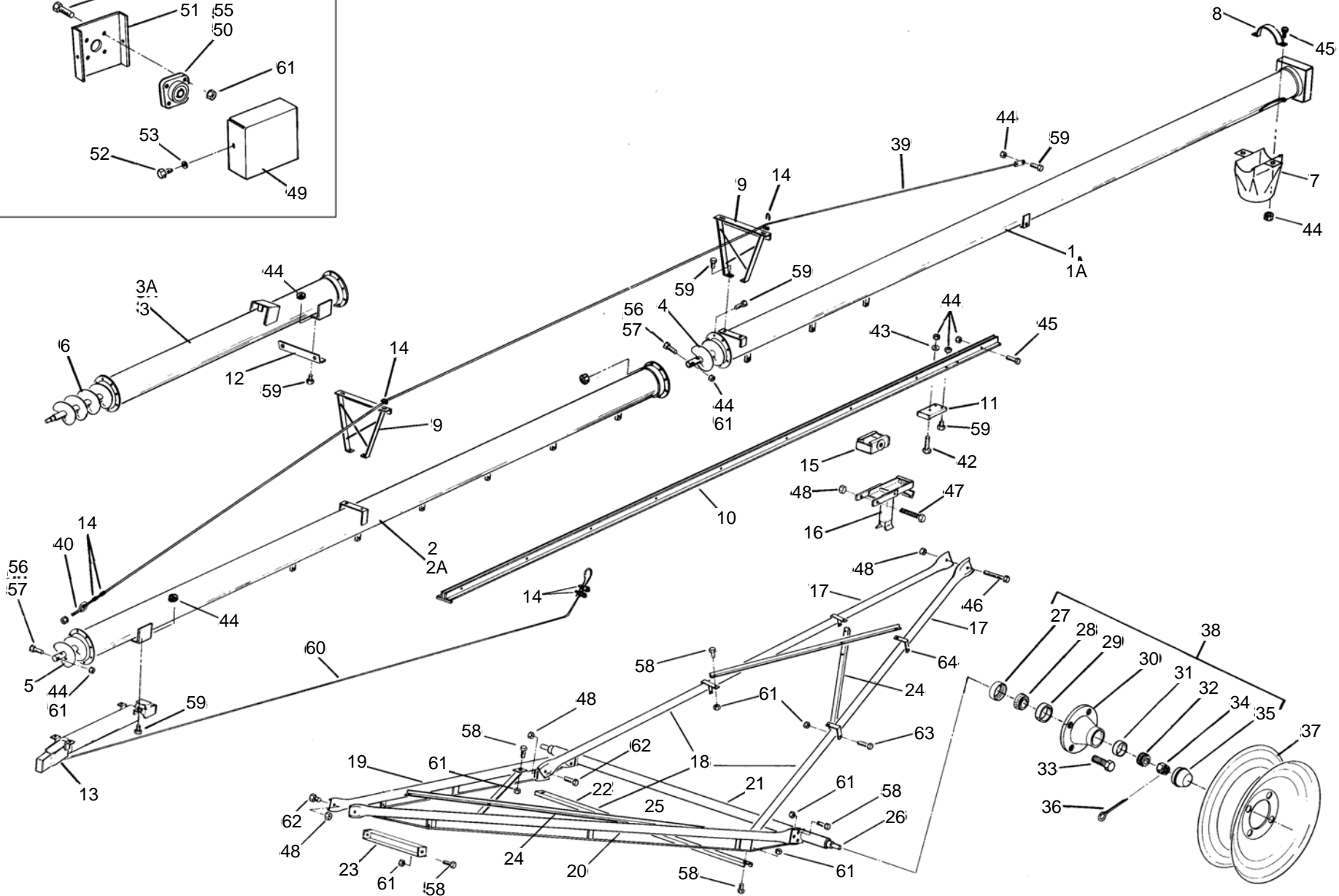
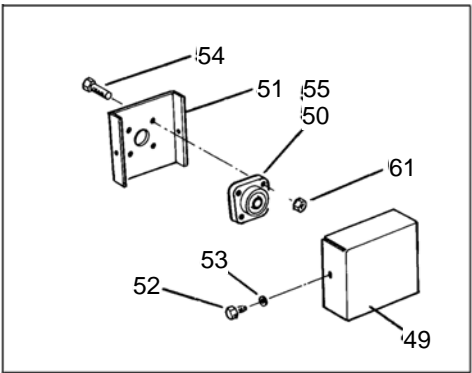
TR80- 61 BASIC AUGER

| ITEM | PART NO. | DESCRIPTION |
|------|----------|------------------------------------|
| 48 | 10-19601 | Locknut, 3/4" - 10 |
| 49 | 10-18038 | Housing cover |
| 50 | 10-19567 | 1-1/4" bearing, 4 bolts |
| 51 | 10-18040 | Housing |
| 52 | 10-19538 | Bolt, 5/16" - 18 x 3/4", grade 2 |
| 53 | 10-19603 | Lockwasher, 5/16" |
| 54 | 10-19589 | Bolt, 1/2" - 13 x 1-1/2", grade 2 |
| 55 | 10-18852 | 1-1/4" bearing, less flange |
| 57 | 10-19545 | Bolt, 7/16" - 14 x 2-1/4", grade 8 |
| 58 | 10-19588 | Bolt, 1/2" - 13 x 1-1/4", grade 5 |
| 59 | 10-19542 | Bolt, 7/16" - 14 x 1", grade 5 |
| 60 | 10-18043 | 5/16" cable, 64' 6" long |
| 61 | 10-19599 | Locknut, 1/2" - 13 |
| 62 | 10-19592 | Bolt, 3/4" - 10 x 2", grade 5 |
| 63 | 10-19799 | Bolt, 1/2" - 13 x 4-1/2", grade 2 |
| 64 | 10-19797 | Tube clamp, less bolt |



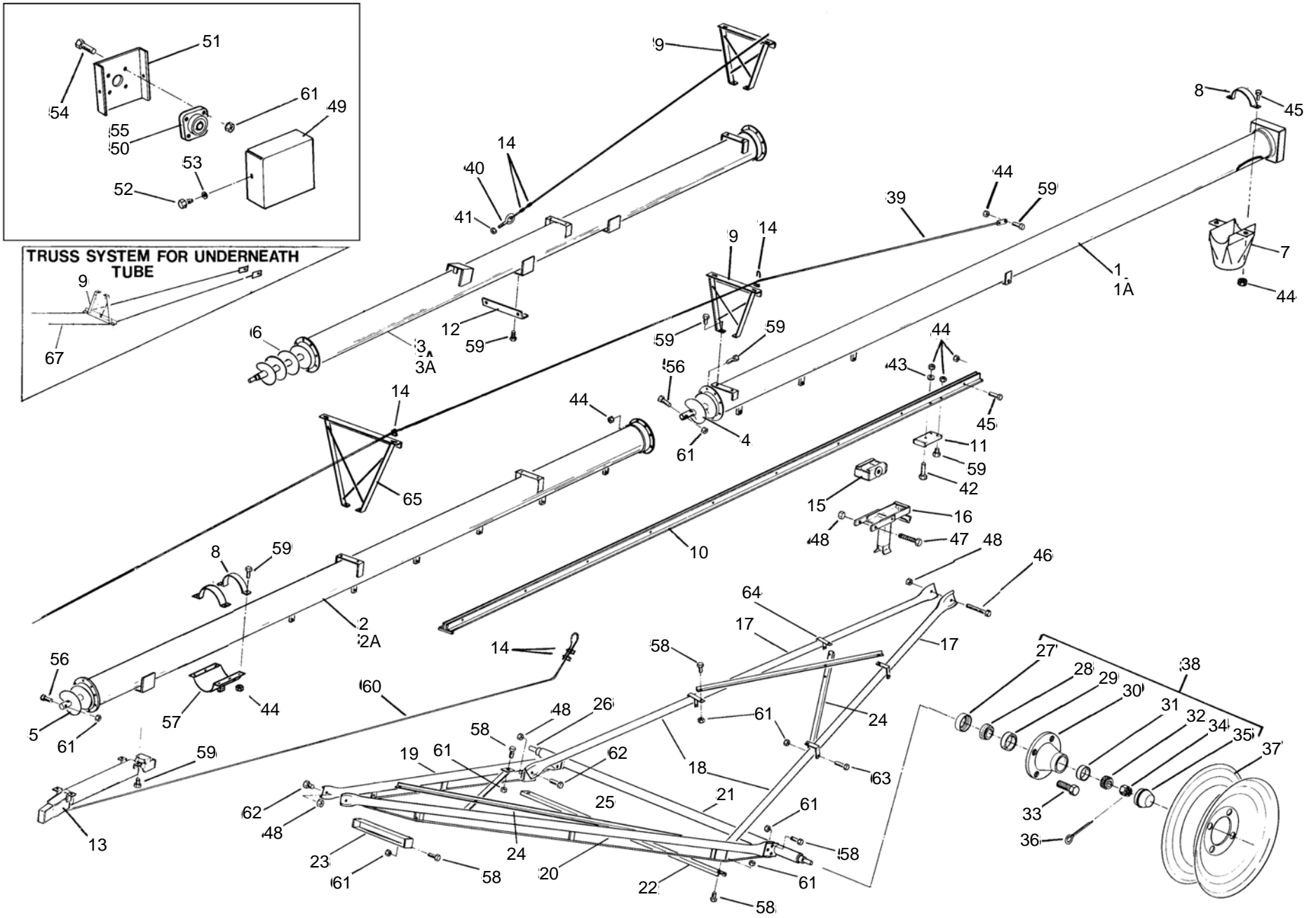
TR100-61 BASIC AUGER

| ITEM | PART NO. | DESCRIPTION |
|------|----------|--|
| 1 | 10-18004 | Upper tube section w/housing |
| 1A | 10-18015 | Upper tube bundle, as shipped |
| 2 | 10-18006 | Center tube section |
| 2A | 10-18017 | Center tube bundle, as shipped |
| 3 | 10-18010 | Lower tube section |
| 3A | 10-18021 | Lower tube bundle, as shipped |
| 4 | 10-19753 | Upper flight section |
| 5 | 10-19757 | Center flight section |
| 6 | 10-18026 | Lower flight section |
| 7 | 10-29307 | Strap-on spout, less tube half bands |
| 8 | 10-19801 | Tube half band |
| 9 | 10-19324 | Truss support bracket, low |
| 10 | 10-19259 | Bolt-on track |
| 11 | 10-18030 | Track stop |
| 12 | 10-18032 | Truss attach angle |
| 13 | 10-18034 | Hydraulic cylinder w/pulleys & cable |
| 14 | 10-19333 | 5/16" cable clamp |
| 15 | 10-18036 | Roller track shoe |
| 16 | 10-18037 | Lift assist bracket |
| 17 | 10-19524 | Upper lift tube, left or right |
| 18 | 10-19534 | Upper lift bundle, as shipped incl ref#17&22 |
| 19 | 10-19358 | Lower reach tube, left |
| 20 | 10-19359 | Lower reach tube, right |
| 21 | 10-19342 | Axle w/spindles, nuts, cotter pins |
| 22 | 10-19378 | crossmember |
| 23 | 10-18914 | Short crossmember, 2 bolt |
| 24 | 10-19796 | Single cross-brace |
| 25 | 10-19369 | Lower reach frame bundle, as shipped |
| 26 | 10-19263 | Spindle, weld on |
| 27 | 10-19264 | Seal |
| 28 | 10-19265 | Large bearing, Timken #LM 67048 |
| 29 | 10-19266 | Large cup, Timken #LM 67010 |
| 30 | 10-19267 | Hub w/cups |
| 31 | 10-19268 | Small cup, Timken #LM 11910 |
| 32 | 10-19269 | Small bearing, Timken #LM 11949 |
| 33 | 10-19273 | Wheel bolt, 1/2" - 20 |
| 34 | 10-19270 | Slotted nut, 3/4" - 16 |
| 35 | 10-19272 | Dust cap |
| 36 | 10-19271 | Cotter pin, 1/8" x 1-1/2" |
| 37 | 10-19261 | 15" wheel, 4 bolt |
| 38 | 10-19467 | Hub assembly complete |
| 39 | 10-19328 | Single truss cable w/end plate 40' 4" long |
| 40 | 10-19331 | Eye bolt, with nut |
| 41 | 10-19602 | Hex nut, 1/2" - 13 |
| 42 | 10-19546 | Bolt, 7/16" - 14 x 3", grade 2 |
| 43 | 10-18095 | Plate washer, 7/16" |
| 44 | 10-19598 | Locknut, 7/16" - 14 |
| 45 | 10-19981 | Bolt, 7/16" - 14 x 1-3/4", grade 5 |
| 46 | 10-18094 | Bolt, 3/4" - 10 x 7-1/2", grade 5 |
| 47 | 10-19593 | Bolt, 3/4" - 10 x 6-1/2", grade 5 |



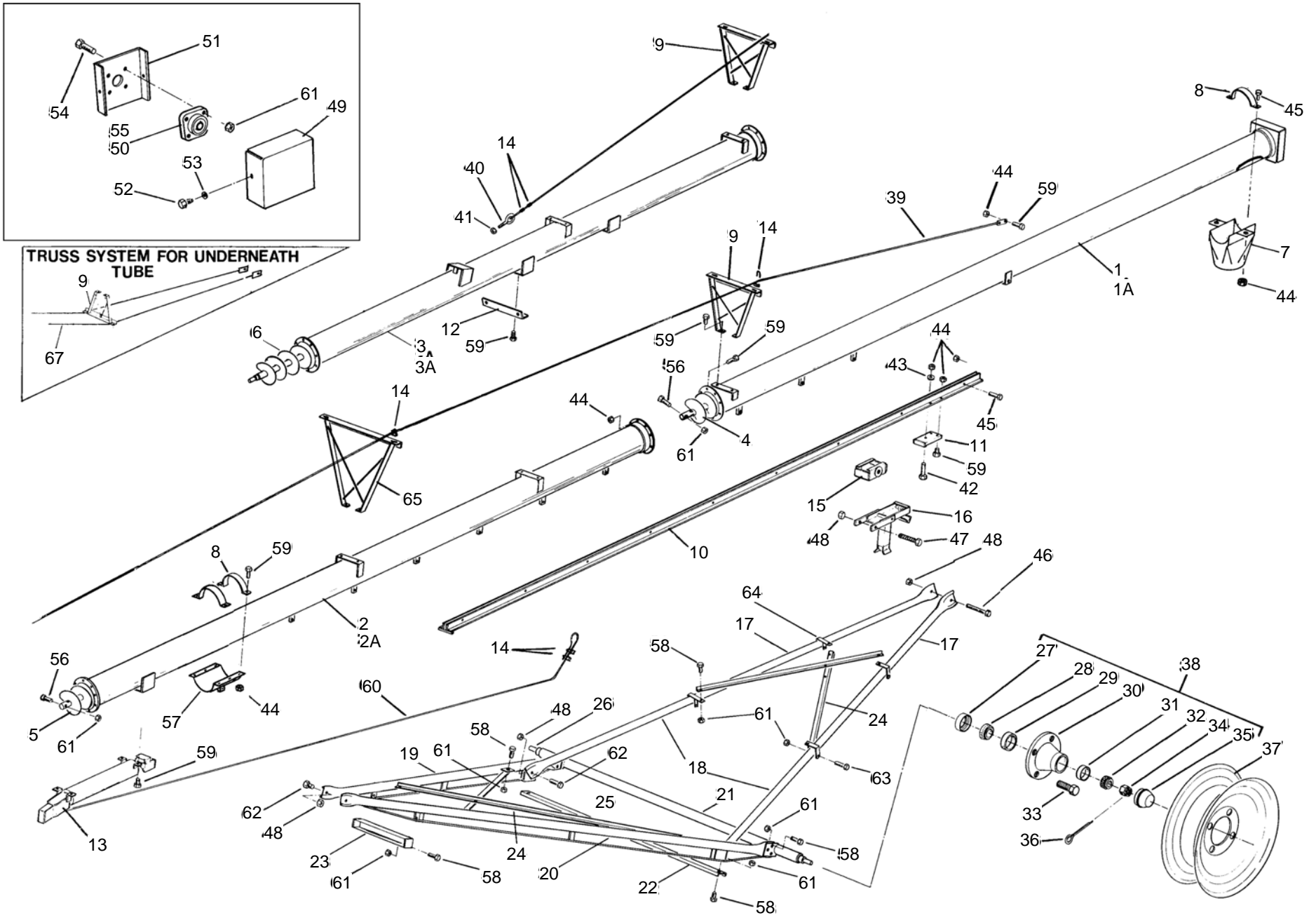
TR100-61 BASIC AUGER

| ITEM | PART NO. | DESCRIPTION |
|------|----------|-----------------------------------|
| 48 | 10-19601 | Locknut, 3/4" - 10 |
| 49 | 10-18039 | Housing cover |
| 50 | 10-19567 | 1-1/4" bearing, 4 bolts |
| 51 | 10-18041 | Housing |
| 52 | 10-19538 | Bolt, 5/16" - 18 x 3/4", grade 2 |
| 53 | 10-19603 | Lockwasher, 5/16" |
| 54 | 10-19589 | Bolt, 1/2" - 13 x 1-1/2", grade 2 |
| 55 | 10-18852 | 1-1/4" bearing, less flange |
| 56 | 10-19798 | Bolt, 1/2" - 13 x 2-3/4", grade 8 |
| 58 | 10-19588 | Bolt, 1/2" - 13 x 1-1/4", grade 5 |
| 59 | 10-19542 | Bolt, 7/16" - 14 x 1", grade 5 |
| 60 | 10-18043 | 5/16" cable, 64' 6" long |
| 61 | 10-19599 | Locknut, 1/2" - 13 |
| 62 | 10-19592 | Bolt, 3/4" - 10 x 2", grade 5 |
| 63 | 10-19799 | Bolt, 1/2" - 13 x 4-1/2", grade 2 |
| 64 | 10-19797 | Tube clamp, less bolt |



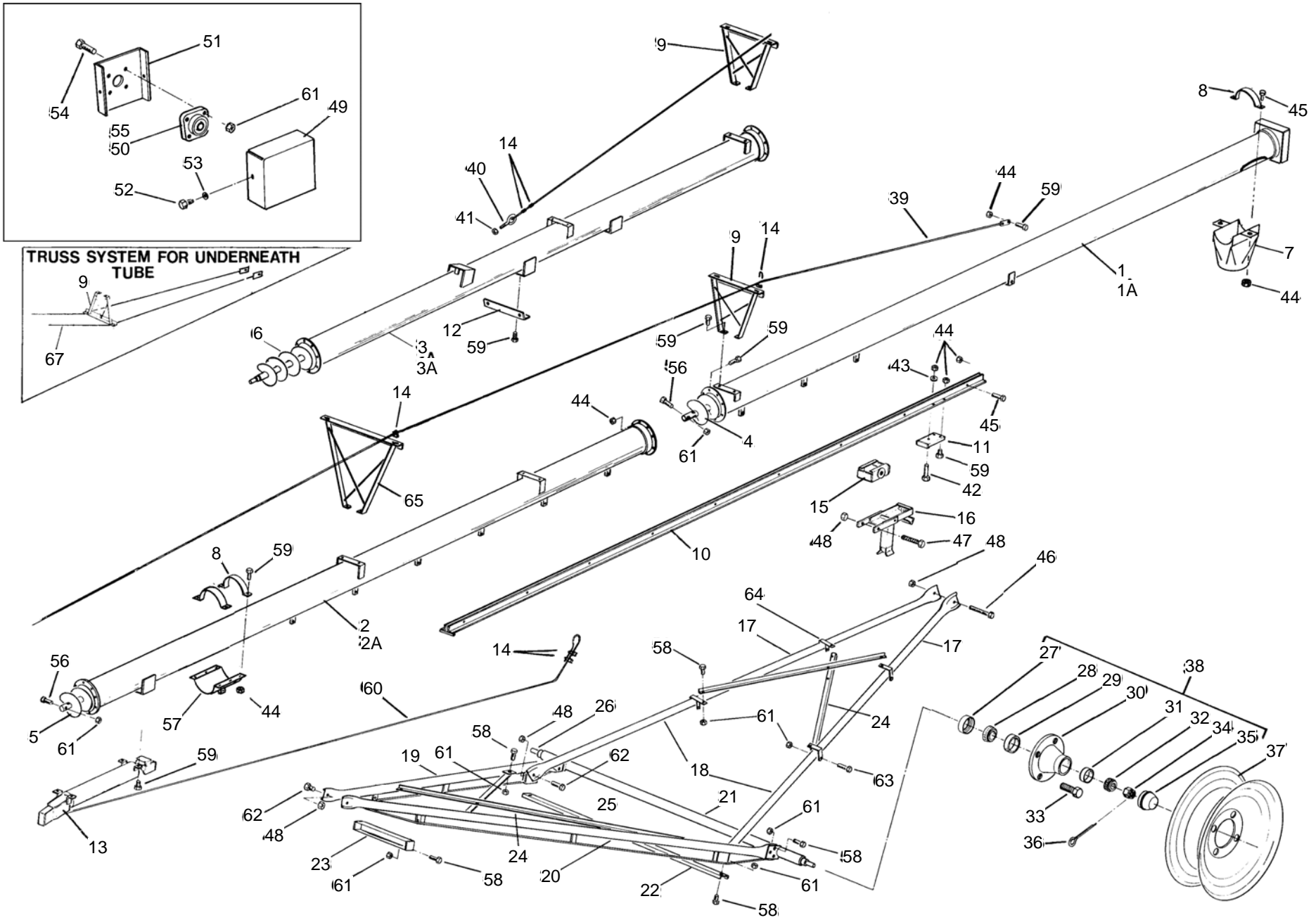
TR80-71 BASIC AUGER

| ITEM | PART NO. | DESCRIPTION |
|------|----------|---|
| 1 | 10-18003 | Upper tube section w/housing |
| 1A | 10-18014 | Upper tube bundle, as shipped |
| 2 | 10-18005 | Center tube section |
| 2A | 10-18016 | Center tube bundle, as shipped |
| 3 | 10-18617 | Lower tube section |
| 3A | 10-18618 | Lower tube bundle, as shipped |
| 4 | 10-19402 | Upper flight section |
| 5 | 10-19552 | Center flight section |
| 6 | 10-18619 | Lower flight section |
| 7 | 10-29306 | Strap-on spout, less tube half bands |
| 8 | 10-19460 | Tube half band |
| 9 | 10-19324 | Truss support bracket, low |
| 10 | 10-19259 | Bolt-on track |
| 11 | 10-18030 | Track stop |
| 12 | 10-18031 | Truss attach angle |
| 13 | 10-18035 | Hydraulic cylinder w/pulleys & cable |
| 14 | 10-19333 | 5/16" cable clamp |
| 15 | 10-18036 | Roller track shoe |
| 16 | 10-18037 | Lift assist bracket |
| 17 | 10-19525 | Upper lift tube, left or right |
| 18 | 10-19535 | Upper lift bundle, as shipped, includes ref. #17 & 22 |
| 19 | 10-19360 | Lower reach tube, left |
| 20 | 10-19361 | Lower reach tube, right |
| 21 | 10-19343 | Axle w/spindles, nuts, cotter pins |
| 22 | 10-19379 | Crossmember |
| 23 | 10-18914 | Short crossmember, 2 bolts |
| 24 | 10-19796 | Single cross-brace |
| 25 | 10-19370 | Lower reach frame bundle, as shipped |
| 26 | 10-19263 | Spindle, weld on |
| 27 | 10-19264 | Seal |
| 28 | 10-19265 | Large bearing, Timken #LM 67048 |
| 29 | 10-19266 | Large cup, Timken #LM 67010 |
| 30 | 10-19267 | Hub w/cups |
| 31 | 10-19268 | Small cup, Timken #LM 11910 |
| 32 | 10-19269 | Small bearing, Timken #LM 11949 |
| 33 | 10-19273 | Wheel bolt, 1/2" - 20 |
| 34 | 10-19270 | Slotted nut, 3/4" - 16 |
| 35 | 10-19272 | Dust cap |
| 36 | 10-19271 | Cotter pin, 1/8" x 1-1/2" |
| 37 | 10-19261 | 15" wheel, 4 bolts |
| 38 | 10-19467 | Hub assembly complete |
| 39 | 10-19329 | Single truss cable w/end plate, 51' long |
| 40 | 10-19331 | Eye bolt, with nut |
| 41 | 10-19602 | Hex nut, 1/2" - 18 |
| 42 | 10-19546 | Bolt, 7/16" - 14 x 3", grade 2 |
| 43 | 10-18095 | Plate washer, 7/16" |
| 44 | 10-19598 | Locknut, 7/16" - 14 |
| 45 | 10-19981 | Bolt, 7/16" - 14 x 1-3/4", grade 5 |
| 46 | 10-18094 | Bolt, 3/4" - 10 x 7-1/2", grade 5 |
| 47 | 10-19593 | Bolt, 3/4" - 10 x 6-1/2", grade 5 |



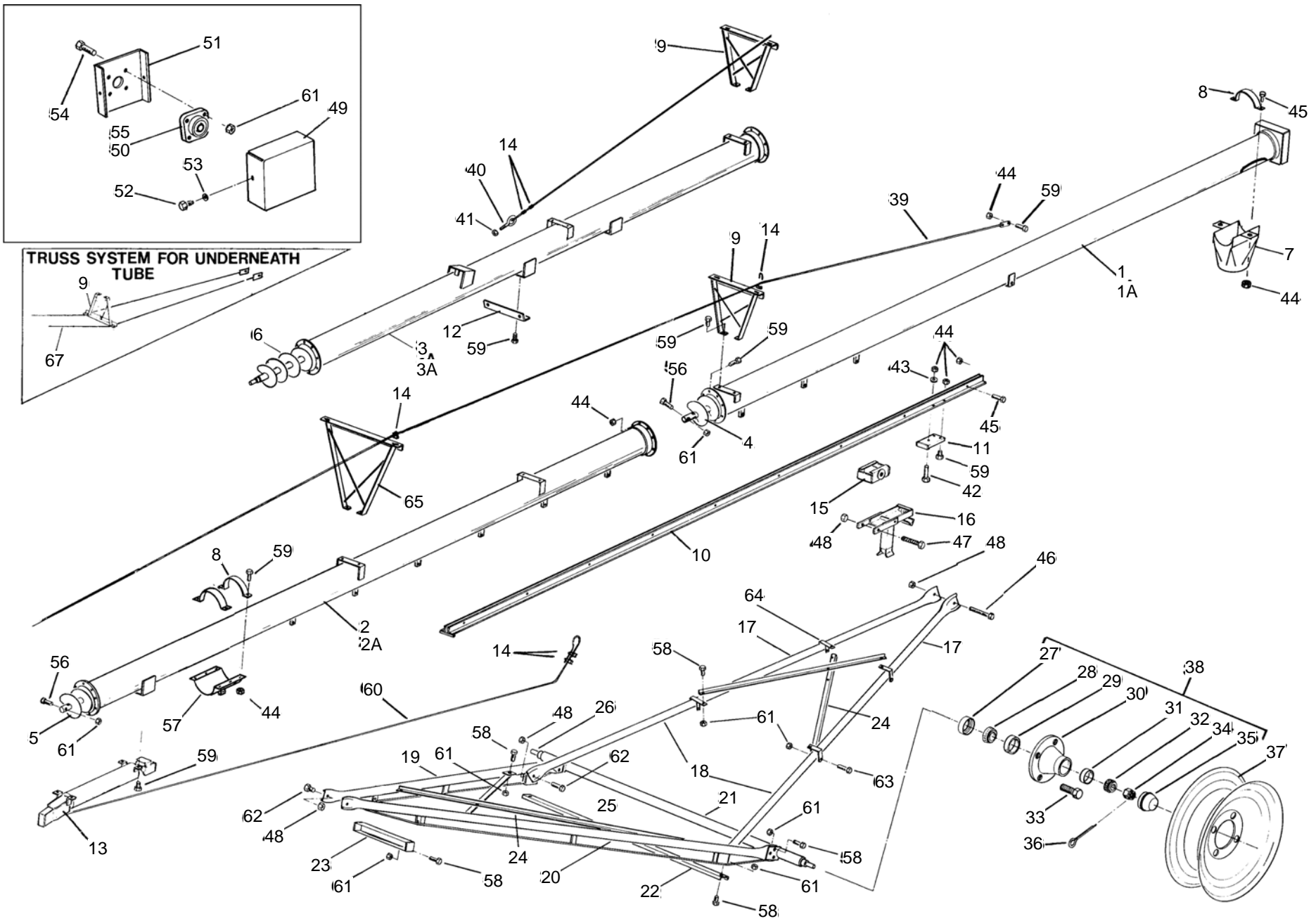
TR80-71 BASIC AUGER

| ITEM | PART NO. | DESCRIPTION |
|------|----------|--|
| 48 | 10-19601 | Locknut, 3/4" - 10 |
| 49 | 10-18038 | Housing cover |
| 50 | 10-19567 | 1-1/4" bearing, 4 bolts |
| 51 | 10-18040 | Housing |
| 52 | 10-19538 | Bolt, 5/16" - 18 x 3/4", grade 2 |
| 53 | 10-19603 | Lockwasher, 5/16" |
| 54 | 10-19589 | Bolt, 1/2" - 13 x 1-1/2", grade 2 |
| 55 | 10-18852 | 1-1/4" bearing, less flanges |
| 57 | 10-19334 | Strap-on track attach |
| 58 | 10-19588 | Bolt, 1/2" - 13 x 1-1/4", grade 5 |
| 59 | 10-19542 | Bolt, 7/16" - 14 x 1", grade 5 |
| 60 | 10-18044 | 5/16" cable, 75' 6" long |
| 61 | 10-19599 | Locknut, 1/2" - 13 |
| 62 | 10-19592 | Bolt, 3/4" - 10 x 2", grade 5 |
| 63 | 10-19799 | Bolt, 1/2" - 13 x 4-1/2", grade 2 |
| 64 | 10-19797 | Tube clamp, less bolt |
| 65 | 10-19325 | Truss support bracket, high |
| 66 | 10-19545 | Bolt, 7/16" - 14 x 2-1/4", grade 8 (not shown) |
| 67 | 10-17076 | Single truss cable w/end plate, 26' 6" long |



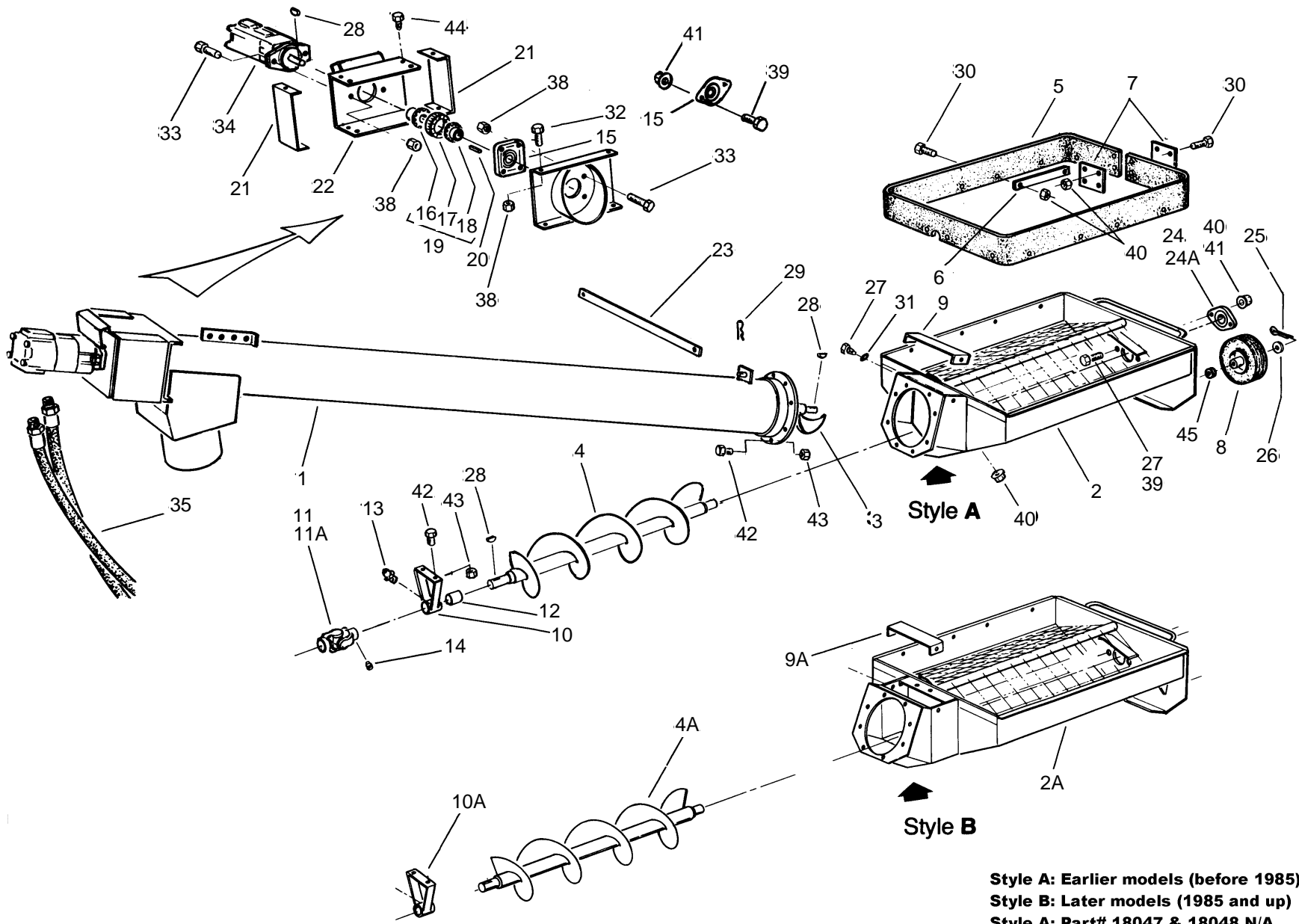
TR100-71 BASIC AUGER

| ITEM | PART NO. | DESCRIPTION |
|------|----------|---|
| 1 | 10-18004 | Upper tube section w/housing |
| 1A | 10-18015 | Upper tube bundle, as shipped |
| 2 | 10-18006 | Center tube section |
| 2A | 10-18017 | Center tube bundle, as shipped |
| 3 | 10-18011 | Lower tube section |
| 3A | 10-18022 | Lower tube bundle, as shipped |
| 4 | 10-19753 | Upper flight section |
| 5 | 10-19757 | Center flight section |
| 6 | 10-18027 | Lower flight section |
| 7 | 10-29307 | Strap-on spout, less tube half bands |
| 8 | 10-19801 | Tube half band |
| 9 | 10-19324 | Truss support bracket, low |
| 10 | 10-19259 | Bolt-on track |
| 11 | 10-18030 | Track stop |
| 12 | 10-18032 | Truss attach angle |
| 13 | 10-18035 | Hydraulic cylinder w/pulleys & cable |
| 14 | 10-19333 | 5/16" cable clamp |
| 15 | 10-18036 | Roller track shoe |
| 16 | 10-18037 | Lift assist bracket |
| 17 | 10-19525 | Upper lift tube, left or right |
| 18 | 10-19535 | Upper lift bundle, as shipped, includes ref. #17 & 22 |
| 19 | 10-19360 | Lower reach tube, left |
| 20 | 10-19361 | Lower reach tube, right |
| 21 | 10-19343 | Axle w/spindles, nuts, cotter pins |
| 22 | 10-19379 | Crossmember |
| 23 | 10-18914 | Short crossmember, 2 bolts |
| 24 | 10-19796 | Single cross-brace |
| 25 | 10-19370 | Lower reach frame bundle, as shipped |
| 26 | 10-19263 | Spindle, weld on |
| 27 | 10-19264 | Seal |
| 28 | 10-19265 | Large bearing, Timken #LM 67048 |
| 29 | 10-19266 | Large cup, Timken #LM 67010 |
| 30 | 10-19267 | Hub w/cups |
| 31 | 10-19268 | Small cup, Timken #LM 11910 |
| 32 | 10-19269 | Small bearing, Timken #LM 11949 |
| 33 | 10-19273 | Wheel bolt, 1/2" - 20 |
| 34 | 10-19270 | Slotted nut, 3/4" - 16 |
| 35 | 10-19272 | Dust cap |
| 36 | 10-19271 | Cotter pin, 1/8" x 1-1/2" |
| 37 | 10-19261 | 15" wheel, 4 bolts |
| 38 | 10-19467 | Hub assembly complete |
| 39 | 10-19329 | Single truss cable w/end plate, 51' long |
| 40 | 10-19331 | Eye bolt, with nut |
| 41 | 10-19602 | Hex nut, 1/2" - 18 |
| 42 | 10-19546 | Bolt, 7/16" - 14 x 3", grade 2 |
| 43 | 10-18095 | Plate washer, 7/16" |
| 44 | 10-19598 | Locknut, 7/16" - 14 |
| 45 | 10-19981 | Bolt, 7/16" - 14 x 1-3/4", grade 5 |
| 46 | 10-18094 | Bolt, 3/4" - 10 x 7-1/2", grade 5 |
| 47 | 10-19593 | Bolt, 3/4" - 10 x 6-1/2", grade 5 |



TR100-71 BASIC AUGER

| ITEM | PART NO. | DESCRIPTION |
|------|----------|---|
| 48 | 10-19601 | Locknut, 3/4" - 10 |
| 49 | 10-18039 | Housing cover |
| 50 | 10-19567 | 1-1/4" bearing, 4 bolts |
| 51 | 10-18041 | Housing |
| 52 | 10-19538 | Bolt, 5/16" - 18 x 3/4", grade 2 |
| 53 | 10-19603 | Lockwasher, 5/16" |
| 54 | 10-19589 | Bolt, 1/2" - 13 x 1-1/2", grade 2 |
| 55 | 10-18852 | 1-1/4" bearing, less flanges |
| 56 | 10-19798 | Bolt, 1/2" - 13 x 2-3/4", grade 8 |
| 57 | 10-18555 | Strap-on track attach |
| 58 | 10-19588 | Bolt, 1/2" - 13 x 1-1/4", grade 5 |
| 59 | 10-19542 | Bolt, 7/16" - 14 x 1", grade 5 |
| 60 | 10-18044 | 5/16" cable, 75' 6" long |
| 61 | 10-19599 | Locknut, 1/2" - 13 |
| 62 | 10-19592 | Bolt, 3/4" - 10 x 2", grade 5 |
| 63 | 10-19799 | Bolt, 1/2" - 13 x 4-1/2", grade 2 |
| 64 | 10-19797 | Tube clamp, less bolt |
| 65 | 10-19325 | Truss support bracket, high |
| 67 | 10-17076 | Single truss cable w/end plate, 26' 6" long |

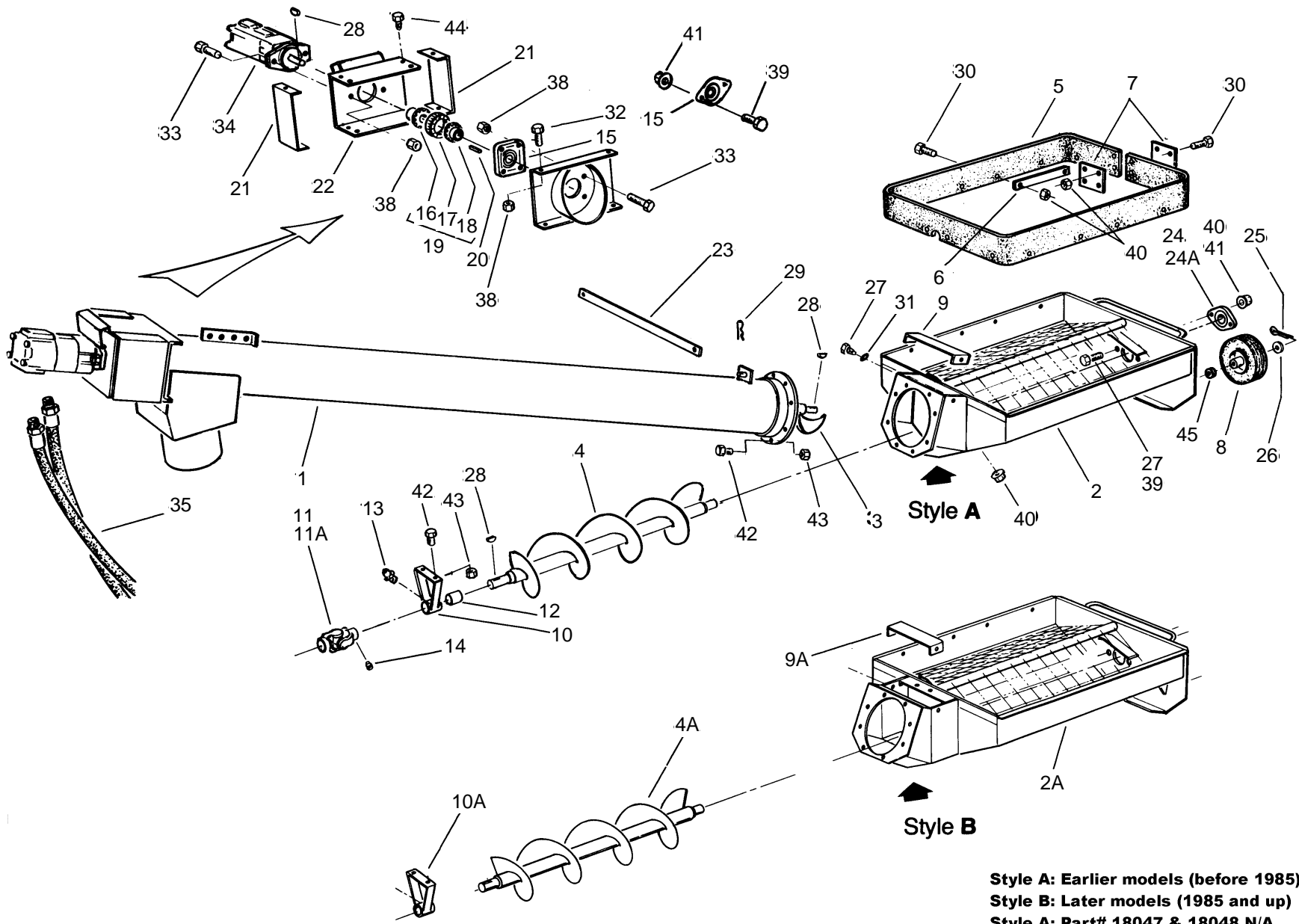


Style A: Earlier models (before 1985)
 Style B: Later models (1985 and up)
 Style A: Part# 18047 & 18048 N/A

TR SWING HOPPER-8"

| ITEM | PART NO. | DESCRIPTION |
|------|----------|---|
| 1 | 10-18045 | Tube section, less bearing & flight |
| 2 | 10-18047 | Hopper, style A, including ref. #9, N/A |
| 2A | 10-18442 | Hopper, style B, including ref. #9A |
| 3 | 10-18049 | Flighting |
| 4 | 10-18051 | Lower flighting, style A, 3' 4-3/4" long |
| 4A | 10-18445 | Lower flighting, style B, 3' 10-3/4" long |
| 5 | 10-18053 | Rubber extension |
| 6 | 10-18054 | Attach strap |
| 7 | 10-18055 | Connector plate |
| 8 | 10-18056 | 8" wheel |
| 9 | 10-18057 | Cover, style A hopper |
| 9A | 10-18448 | Cover, style B hopper |
| 10 | 10-18058 | Hanger bearing, style A, c/w bushing & grease fitting |
| 10A | 10-18444 | Hanger bearing, style B, c/w bushing & grease fitting |
| 11 | 10-19290 | Universal joint, 1" round x 1" round |
| 11A | 10-19235 | Repair kit, universal joint |
| 12 | 10-19149 | 1" bushing |
| 13 | 10-19222 | Press-in grease fitting |
| 14 | 10-19225 | Setscrew, 3/8" - 16 x 3/8" |
| 15 | 10-19322 | 1-1/4" bearing |
| 16 | 10-19557 | Connector sprocket, 1" bore |
| 17 | 10-19559 | Connector chain |
| 18 | 10-19557 | Connector sprocket |
| 19 | 10-18068 | Chain connector |
| 20 | 10-19606 | Square key, 1/4" x 1-1/2" |
| 21 | 10-18060 | Guard |
| 22 | 10-18062 | Mount-hydraulic motor |
| 23 | 10-18064 | Transport strap |
| 24 | 10-19243 | Bearing with setscrew (check bearing) |
| 24A | 10-19321 | Bearing & lock collar (check bearing) |
| 25 | 10-19271 | Cotter pin, 1/8" x 1-1/2" |
| 26 | 10-18096 | Rim washer, 5/8" |
| 27 | 10-19538 | Bolt, 5/16" - 18 x 3/4", grade 2 |
| 28 | 10-19224 | Woodruff key, 1/4" x 1" |
| 29 | 10-19463 | Hairpin |
| 30 | 10-18091 | Bolt, 5/16" - 18 x 1", grade 2 |
| 31 | 10-19603 | Lockwasher, 5/16" |
| 32 | 10-19588 | Bolt, 1/2" - 13 x 1-1/4", grade 5 |
| 33 | 10-19589 | Bolt, 1/2" - 13 x 1-1/2", grade 2 |
| 34 | 10-18066 | Hydraulic motor |
| 35 | 10-18067 | 1/2" hydraulic hose, single |
| 38 | 10-19599 | Locknut, 1/2" - 13 |
| 39 | 10-19540 | Bolt, 3/8" - 16 x 3/4", grade 2 |
| 40 | 10-19595 | Washer-locknut, 5/16" - 18 |
| 41 | 10-19596 | Washer-locknut, 3/8" - 16 |
| 42 | 10-19542 | Bolt, 7/16" - 14 x 1", grade 5 |
| 43 | 10-19598 | Locknut, 7/16" - 14 |
| 44 | 10-19537 | Bolt, 1/4" - 20 x 1/2", grade 2 |
| 45 | 10-18099 | 5/8" wheel bearing |

TR SWING HOPPER-10"



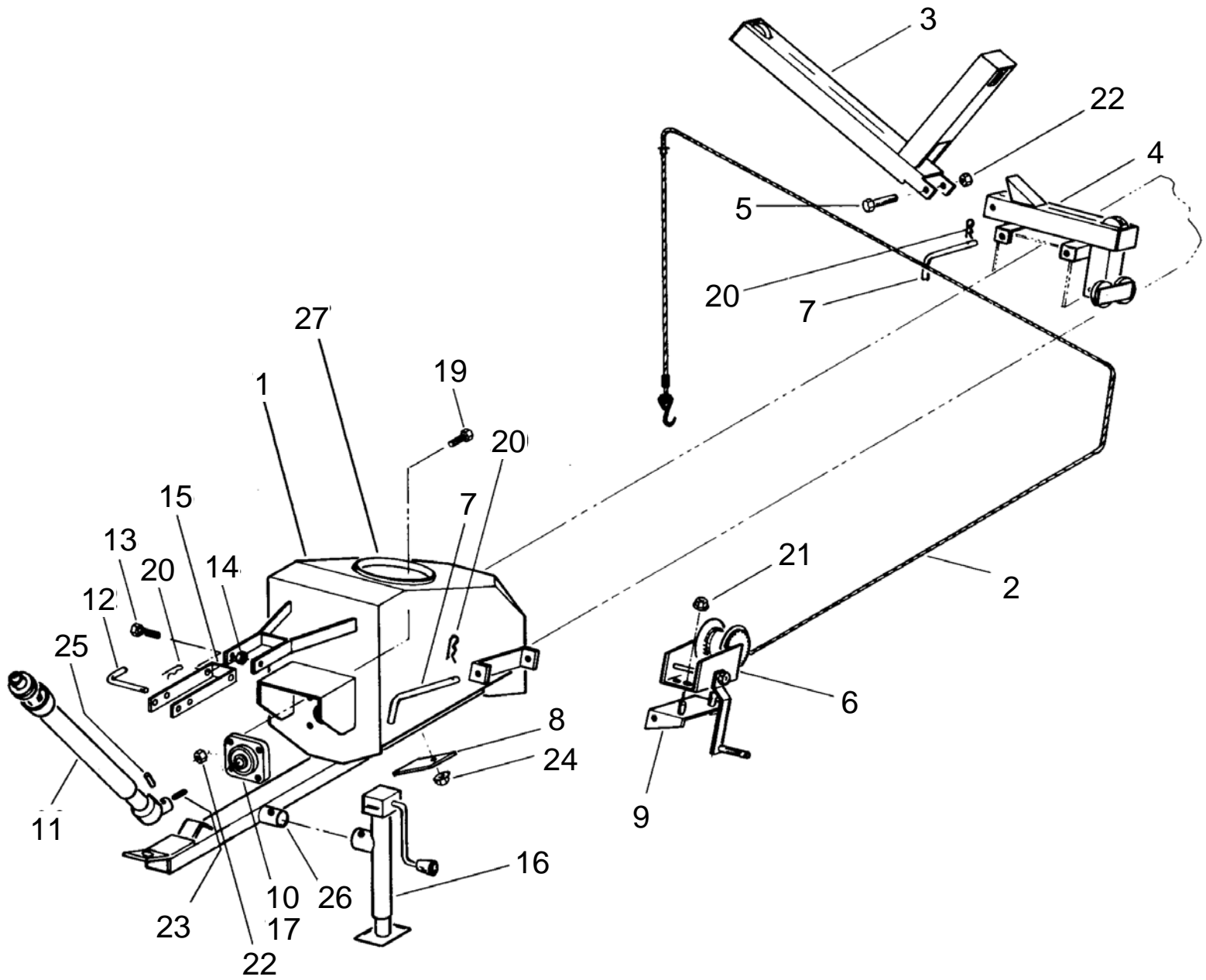
30

Style A: Earlier models (before 1985)
Style B: Later models (1985 and up)
Style A: Part# 18047 & 18048 N/A

TR SWING HOPPER-10"

| ITEM | PART NO. | DESCRIPTION |
|------|----------|---|
| 1 | 10-18046 | Tube section, less bearing & flight |
| 2 | 10-18048 | Hopper, style A, including ref. #9, N/A |
| 2A | 10-18443 | Hopper, style B, including ref. #9A |
| 3 | 10-18050 | Flighting |
| 4 | 10-18052 | Lower flighting, style A, 3' 4-3/4" long |
| 4A | 10-18447 | Lower flighting, style B, 3' 10-3/4" long |
| 5 | 10-18053 | Rubber extension |
| 6 | 10-18054 | Attach strap |
| 7 | 10-18055 | Connector plate |
| 8 | 10-18056 | 8" wheel |
| 9 | 10-18057 | Cover, style A hopper |
| 9A | 10-18057 | Cover, style B hopper |
| 10 | 10-18059 | Hanger bearing, style A, c/w bushing & grease fitting |
| 10A | 10-18446 | Hanger bearing, style B, c/w bushing & grease fitting |
| 11 | 10-19290 | Universal joint, 1" round x 1" round |
| 11A | 10-19235 | Repair kit, universal joint |
| 12 | 10-19149 | 1" bushing |
| 13 | 10-19222 | Press-in grease fitting |
| 14 | 10-19225 | Setscrew, 3/8" - 16 x 3/8" |
| 15 | 10-19567 | 1-1/4" bearing |
| 16 | 10-19557 | Connector sprocket, 1" bore |
| 17 | 10-19559 | Connector chain |
| 18 | 10-19558 | Connector sprocket |
| 19 | 10-19556 | Chain connector |
| 20 | 10-19606 | Square key, 1/4" x 1-1/2" |
| 21 | 10-18061 | Guard |
| 22 | 10-18063 | Mount-hydraulic motor |
| 23 | 10-18064 | Transport strap |
| 24 | 10-19244 | Bearing with setscrew (check bearing) |
| 24A | 10-19322 | Bearing & lock collar (check bearing) |
| 25 | 10-19271 | Cotter pin, 1/8" x 1-1/2" |
| 26 | 10-18096 | Rim washer, 5/8" |
| 27 | 10-19538 | Bolt, 5/16" - 18 x 3/4", grade 2 |
| 28 | 10-19224 | Woodruff key, 1/4" x 1" |
| 29 | 10-19463 | Hairpin |
| 30 | 10-18091 | Bolt, 5/16" - 18 x 1", grade 2 |
| 31 | 10-19603 | Lockwasher, 5/16" |
| 32 | 10-19588 | Bolt, 1/2" - 13 x 1-1/4", grade 5 |
| 33 | 10-19589 | Bolt, 1/2" - 13 x 1-1/2", grade 2 |
| 34 | 10-18066 | Hydraulic motor |
| 35 | 10-18067 | 1/2" hydraulic hose, single |
| 38 | 10-19599 | Locknut, 1/2" - 13 |
| 39 | 10-19540 | Bolt, 3/8" - 16 x 3/4", grade 2 |
| 40 | 10-19595 | Washer-locknut, 5/16" - 18 |
| 41 | 10-19596 | Washer-locknut, 3/8" - 16 |
| 42 | 10-19542 | Bolt, 7/16" - 14 x 1", grade 5 |
| 43 | 10-19598 | Locknut, 7/16" - 14 |
| 44 | 10-19537 | Bolt, 1/4" - 20 x 1/2", grade 2 |
| 45 | 10-18099 | 5/8" wheel bearing |

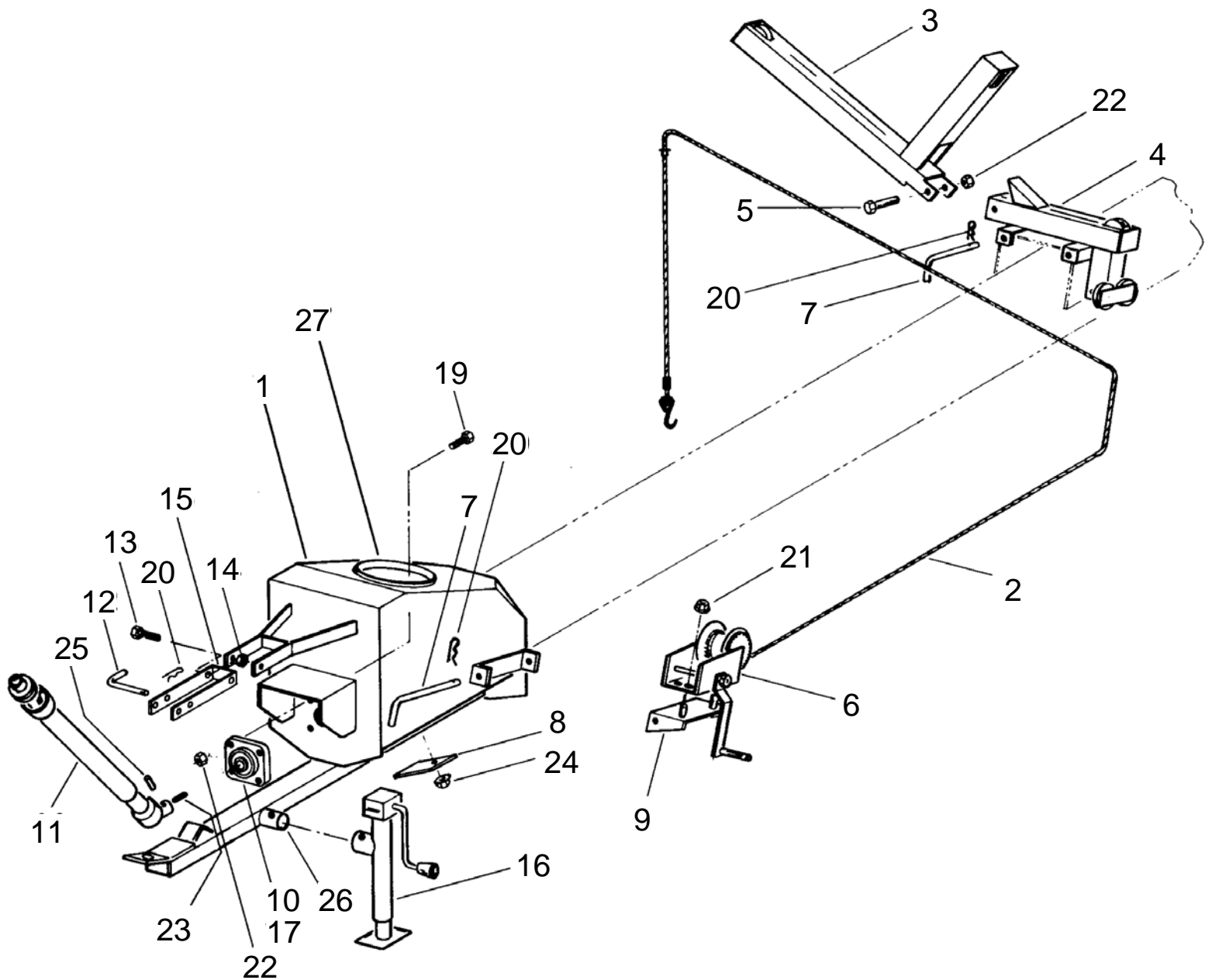
TR BOOT AND HOPPER LIFTARM ASSEMBLY-8"



TR BOOT AND HOPPER LIFTARM ASSEMBLY-8"

| ITEM | PART NO. | DESCRIPTION |
|------|----------|---------------------------------------|
| 1 | 10-18069 | Boot, with rings/shield, less bearing |
| 2 | 10-18071 | Cable, hopper lift |
| 3 | 10-18072 | Hopper lift arm |
| 4 | 10-18073 | Hopper lift base |
| 5 | 10-18092 | Bolt, 1/2" - 13 x 3-1/2", grade 2 |
| 6 | 10-19141 | Winch, standard 5:1 ratio |
| 7 | 10-18074 | Mount pin, less hairpin |
| 8 | 10-18075 | Clean-out plate |
| 9 | 10-18076 | Winch mount |
| 10 | 10-19567 | 1-1/4" bearing, 4 bolt |
| 11 | 10-18484 | Constant velocity PTO-shaft |
| 12 | 10-19648 | PTO saddle pin, less hairpin |
| 13 | 10-19542 | Bolt, 7/16" - 14 x 1", grade 5 |
| 14 | 10-19598 | Locknut, 7/16" - 14 |
| 15 | 10-18486 | Saddle extension, CV - PTO |
| 16 | 10-18080 | Jack, sidewinder |
| 17 | 10-18852 | 1-1/4" Bearing, less flange |
| 19 | 10-19974 | Bolt, 1/2" - 13 x 1-3/4", grade 2 |
| 20 | 10-19463 | Hairpin |
| 21 | 10-19596 | Locknut, 3/8" - 16 |
| 22 | 10-19599 | Locknut, 1/2" - 13 |
| 23 | 10-19606 | Square key, 1/4" x 1-1/2" |
| 24 | 10-19595 | Washer locknut, 5/16" - 18 |
| 25 | 10-18079 | Roll pin, 5/16" x 2" |
| 26 | 10-18116 | Pipe mount, weld-on |
| 27 | 10-18551 | Boot rings with pins |

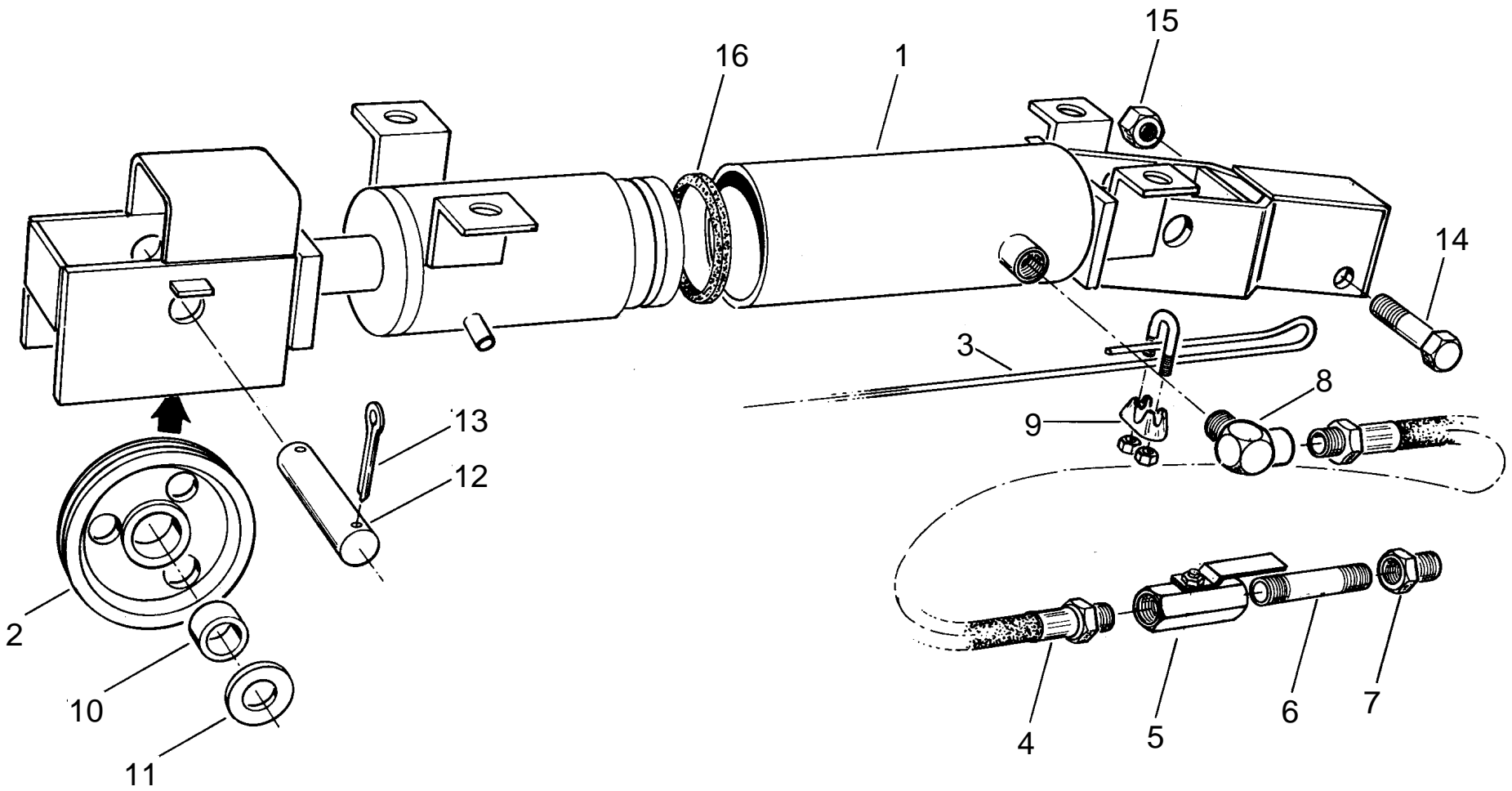
TR BOOT AND HOPPER LIFTARM ASSEMBLY-10"



TR BOOT AND HOPPER LIFTARM ASSEMBLY-10"

| ITEM | PART NO. | DESCRIPTION |
|------|----------|---------------------------------------|
| 1 | 10-18070 | Boot, with rings/shield, less bearing |
| 2 | 10-18071 | Cable, hopper lift |
| 3 | 10-18072 | Hopper lift arm |
| 4 | 10-18073 | Hopper lift base |
| 5 | 10-18092 | Bolt, 1/2" - 13 x 3-1/2", grade 2 |
| 6 | 10-19141 | Winch, standard 5:1 ratio |
| 7 | 10-18074 | Mount pin, less hairpin |
| 8 | 10-18075 | Clean-out plate |
| 9 | 10-18076 | Winch mount |
| 10 | 10-19567 | 1-1/4" bearing, 4 bolt |
| 11 | 10-18484 | Constant velocity PTO-shaft |
| 12 | 10-19648 | PTO saddle pin, less hairpin |
| 13 | 10-19542 | Bolt, 7/16" - 14 x 1", grade 5 |
| 14 | 10-19598 | Locknut, 7/16" - 14 |
| 15 | 10-18486 | Saddle extension, CV - PTO |
| 16 | 10-18080 | Jack, sidewinder |
| 17 | 10-18852 | 1-1/4" Bearing, less flange |
| 19 | 10-19974 | Bolt, 1/2" - 13 x 1-3/4", grade 2 |
| 20 | 10-19463 | Hairpin |
| 21 | 10-19596 | Locknut, 3/8" - 16 |
| 22 | 10-19599 | Locknut, 1/2" - 13 |
| 23 | 10-19606 | Square key, 1/4" x 1-1/2" |
| 24 | 10-19595 | Washer locknut, 5/16" - 18 |
| 25 | 10-18079 | Roll pin, 5/16" x 2" |
| 26 | 10-18116 | Pipe mount, weld-on |
| 27 | 10-18552 | Boot rings with pins |

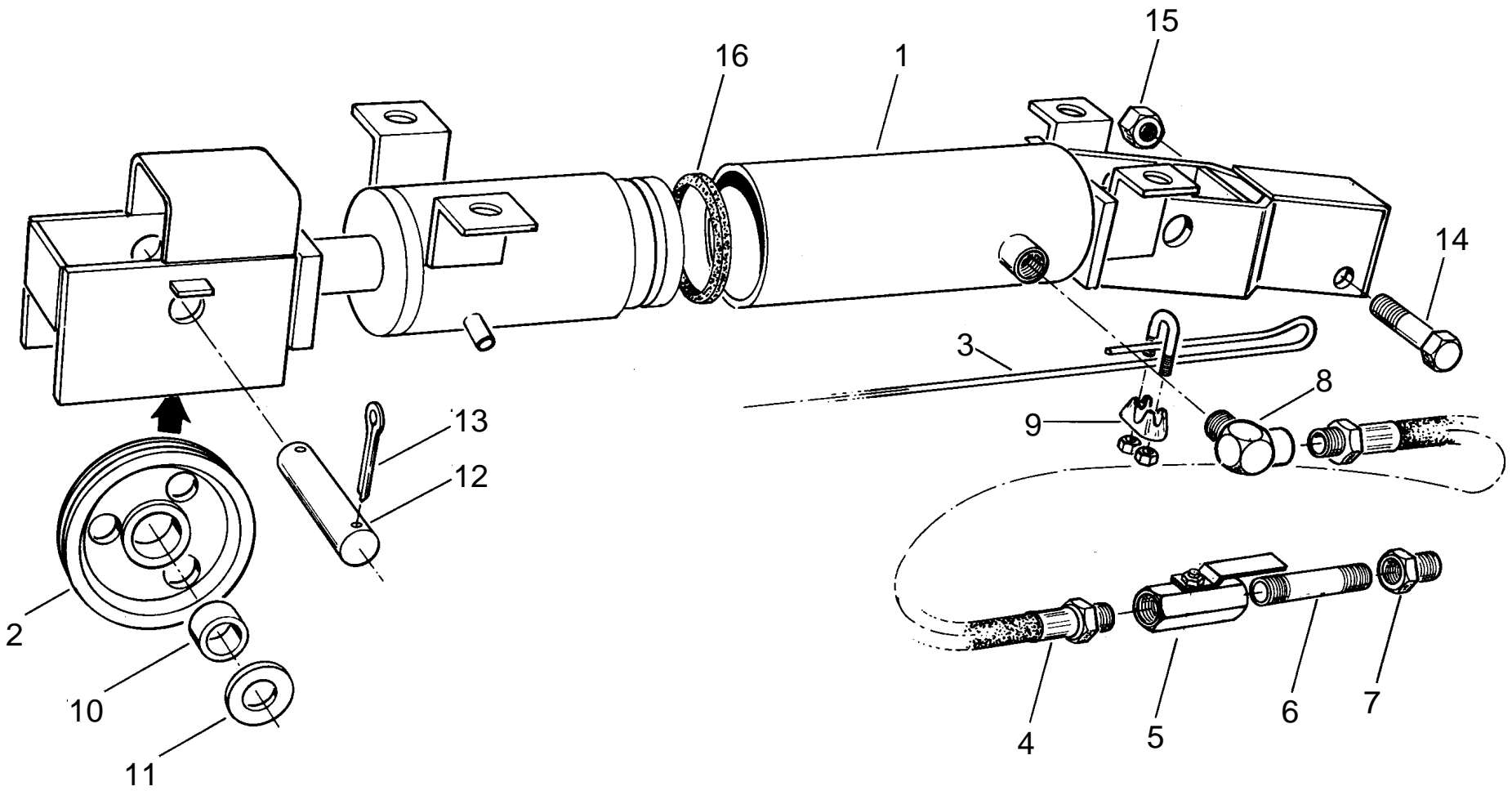
TR HYDRAULIC LIFT CYLINDER-TR51



TR HYDRAULIC LIFT CYLINDER-TR51

| ITEM | PART NO. | DESCRIPTION |
|------|----------|---|
| 1 | 10-19915 | Hydraulic cylinder, |
| 2 | 10-19918 | Pulley, 5-1/2" dia., w/bushing |
| 3 | 10-18042 | Cable, 5/16" x 55' 6" long |
| 4 | 10-18081 | Hydraulic hose, 3/8" x 171" long |
| 5 | 10-18084 | Shut-off valve, 3/8" |
| 6 | 10-18085 | Pipe nipple, 3/8" x 4-3/4" long |
| 7 | 10-18086 | Reducer bushing, 3/8" x 1/2" |
| 8 | 10-18087 | Street elbow, 3/8" |
| 9 | 10-19333 | Cable clamp, 5/16" |
| 10 | 10-18088 | Bushing, 1" x 3/4" long |
| 11 | 10-18097 | Rim washer, 1" |
| 12 | 10-18089 | Pin, 1" |
| 13 | 10-18098 | Cotter pin, 1/4" x 1-3/4", |
| 14 | 10-18093 | Bolt, 5/8" - 11 x 3-1/2", grade 5 |
| 15 | 10-19600 | Locknut, 5/8" - 11 |
| 16 | 10-18542 | Cylinder. cup (Can. Tool & Die) 4" nom. |
| 16 | 10-18543 | Cylinder. cup (Monarch) 4" nom. |

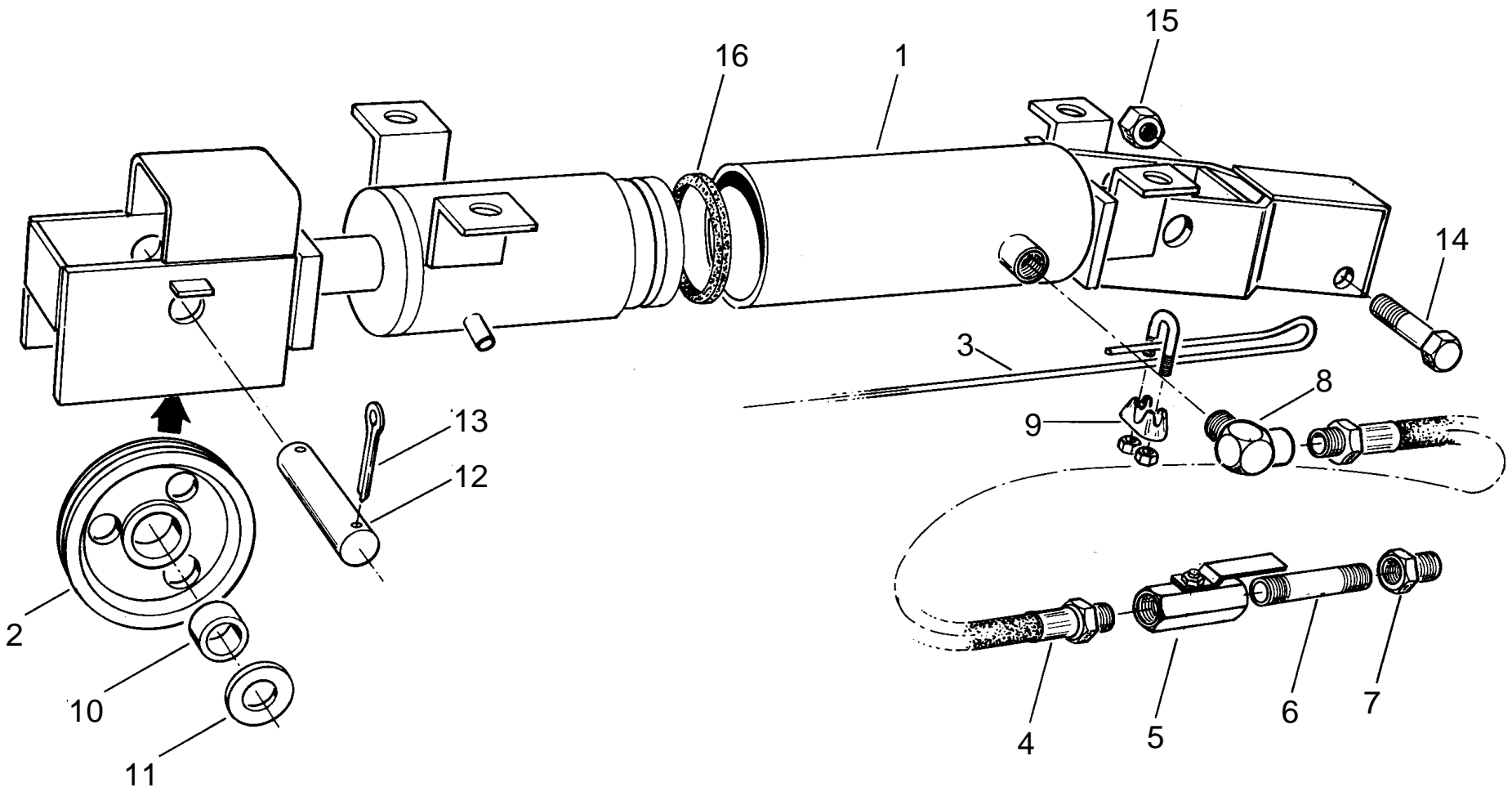
TR HYDRAULIC LIFT CYLINDER-TR61



TR HYDRAULIC LIFT CYLINDER-TR61

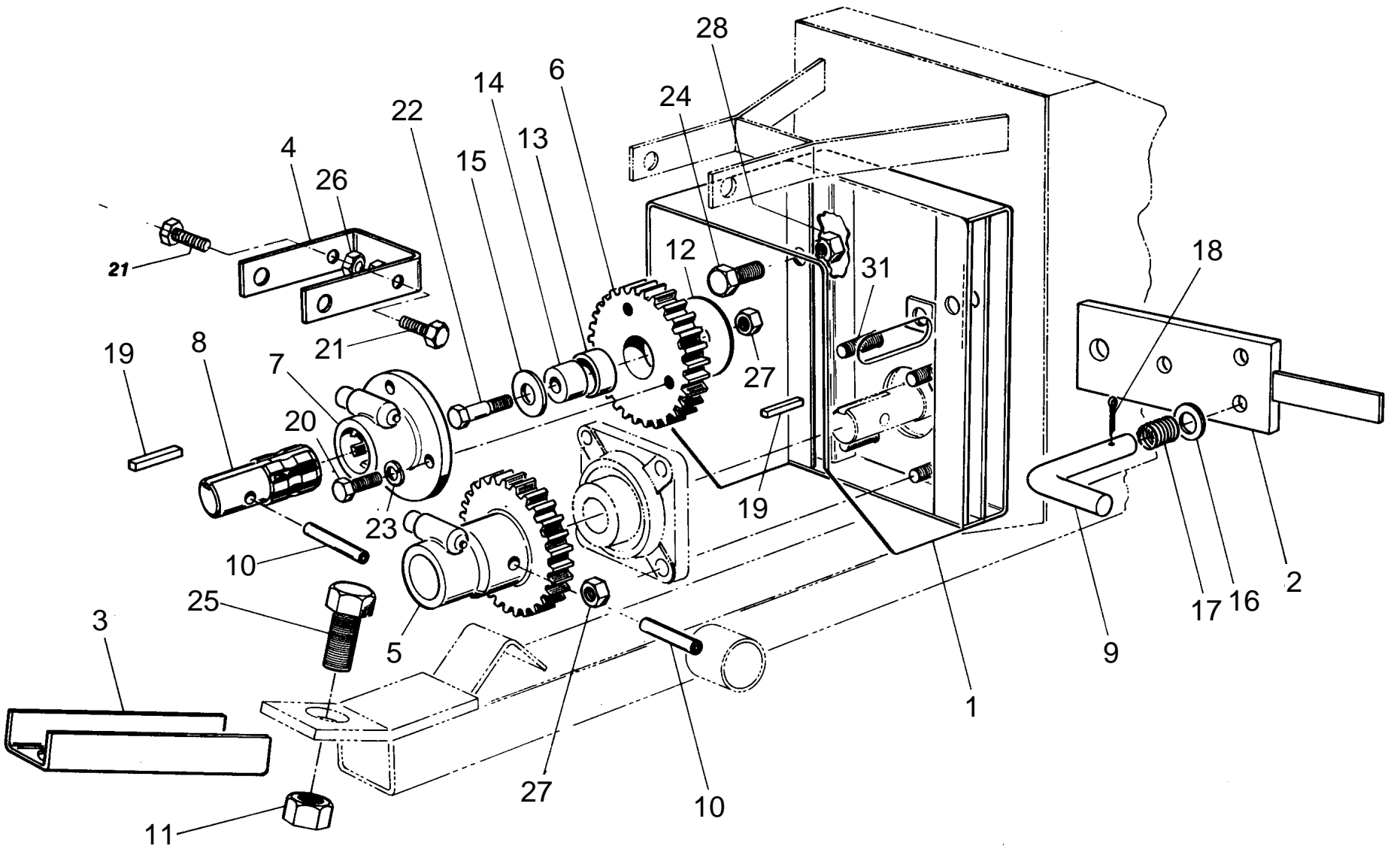
| ITEM | PART NO. | DESCRIPTION |
|------|----------|---|
| 1 | 10-19916 | Hydraulic cylinder, |
| 2 | 10-19918 | Pulley, 5-1/2" dia., w/bushing |
| 3 | 10-18043 | Cable, 5/16" x 64' 6" long |
| 4 | 10-18082 | Hydraulic hose, 3/8" x 195" long |
| 5 | 10-18084 | Shut-off valve, 3/8" |
| 6 | 10-18085 | Pipe nipple, 3/8" x 4-3/4" long |
| 7 | 10-18086 | Reducer bushing, 3/8" x 1/2" |
| 8 | 10-18087 | Street elbow, 3/8" |
| 9 | 10-19333 | Cable clamp, 5/16" |
| 10 | 10-18088 | Bushing, 1" x 3/4" long |
| 11 | 10-18097 | Rim washer, 1" |
| 12 | 10-18089 | Pin, 1" |
| 13 | 10-18098 | Cotter pin, 1/4" x 1-3/4", |
| 14 | 10-18093 | Bolt, 5/8" - 11 x 3-1/2", grade 5 |
| 15 | 10-19600 | Locknut, 5/8" - 11 |
| 16 | 10-18542 | Cylinder. cup (Can. Tool & Die) 4" nom. |
| 16 | 10-18543 | Cylinder. cup (Monarch) 4" nom. |

TR HYDRAULIC LIFT CYLINDER-TR71



TR HYDRAULIC LIFT CYLINDER-TR71

| ITEM | PART NO. | DESCRIPTION |
|------|----------|---|
| 1 | 10-19917 | Hydraulic cylinder, |
| 2 | 10-19918 | Pulley, 5-1/2" dia., w/bushing |
| 3 | 10-18044 | Cable, 5/16" x 75' 6" long |
| 4 | 10-18083 | Hydraulic hose, 3/8" x 216" long |
| 5 | 10-18084 | Shut-off valve, 3/8" |
| 6 | 10-18085 | Pipe nipple, 3/8" x 4-3/4" long |
| 7 | 10-18086 | Reducer bushing, 3/8" x 1/2" |
| 8 | 10-18087 | Street elbow, 3/8" |
| 9 | 10-19333 | Cable clamp, 5/16" |
| 10 | 10-18088 | Bushing, 1" x 3/4" long |
| 11 | 10-18097 | Rim washer, 1" |
| 12 | 10-18089 | Pin, 1" |
| 13 | 10-18098 | Cotter pin, 1/4" x 1-3/4", |
| 14 | 10-18093 | Bolt, 5/8" - 11 x 3-1/2", grade 5 |
| 15 | 10-19600 | Locknut, 5/8" - 11 |
| 16 | 10-18542 | Cylinder. cup (Can. Tool & Die) 4" nom. |
| 16 | 10-18543 | Cylinder. cup (Monarch) 4" nom. |



TR REVERSING KIT

| ITEM | PART NO. | DESCRIPTION |
|------|----------|-----------------------------------|
| 1 | 10-18169 | Housing |
| 2 | 10-18170 | Gear mount plate & handle |
| 3 | 10-18171 | Tow bar extension |
| 4 | 10-18172 | PTO saddle extension |
| 5 | 10-18173 | Lower splined gear |
| 6 | 10-18174 | Upper gear |
| 7 | 10-18175 | Upper splined hub |
| 8 | 10-18178 | Splined shaft adaptor |
| 9 | 10-18177 | Locking pin |
| 10 | 10-18079 | Roll pin, 5/16" x 2" |
| 11 | 10-19601 | Locknut, 3/4" - 10 |
| 12 | 10-18178 | Washer, 18 ga. x 1" x 2-1/2" |
| 13 | 10-18179 | Oilite bushing, 1" I.D. x 1" long |
| 14 | 10-18180 | Upper gear shaft |
| 15 | 10-18181 | Washer, 1/8" x 1/2" x 1-1/2" |
| 16 | 10-18182 | 1/2" rim washer |
| 17 | 10-18183 | Spring |
| 18 | 10-18156 | Cotter pin, 3/32" x 1" |
| 19 | 10-19606 | Square key, 1/4" x 1-1/2" |
| 20 | 10-19975 | Bolt, 3/8" - 16 x 1-1/4", grade5 |
| 21 | 10-19542 | Bolt, 7/16" - 14 x 1", grade 5 |
| 22 | 10-19976 | Bolt, 1/2" - 13 x 2-1/2", grade8 |
| 23 | 10-19604 | Lockwasher, 3/8" |
| 24 | 10-19977 | Bolt, 5/8" - 11 x 1-3/4", grade 5 |
| 25 | 10-19978 | Bolt, 3/4" - 10 x 3", grade 5 |
| 26 | 10-19598 | Locknut, 7/16" - 14 |
| 27 | 10-19599 | Locknut, 1/2" - 13 |
| 28 | 10-19600 | Locknut, 5/8" - 11 |
| 29 | 10-19974 | Bolt, 1/2" - 13 x 1-3/4", grade 2 |

WESTFIELD 

P.O. Box 39

Rosenort, Manitoba, R0G 1W0 Canada

Phone: (866) 467-7207 (Canada & USA) or (204) 746-2396

Fax: (866) 768-4852

website: www.grainaugers.com

email: sales@grainaugers.com

© Ag Growth International Inc. 2018

Printed in Canada

AGI 