



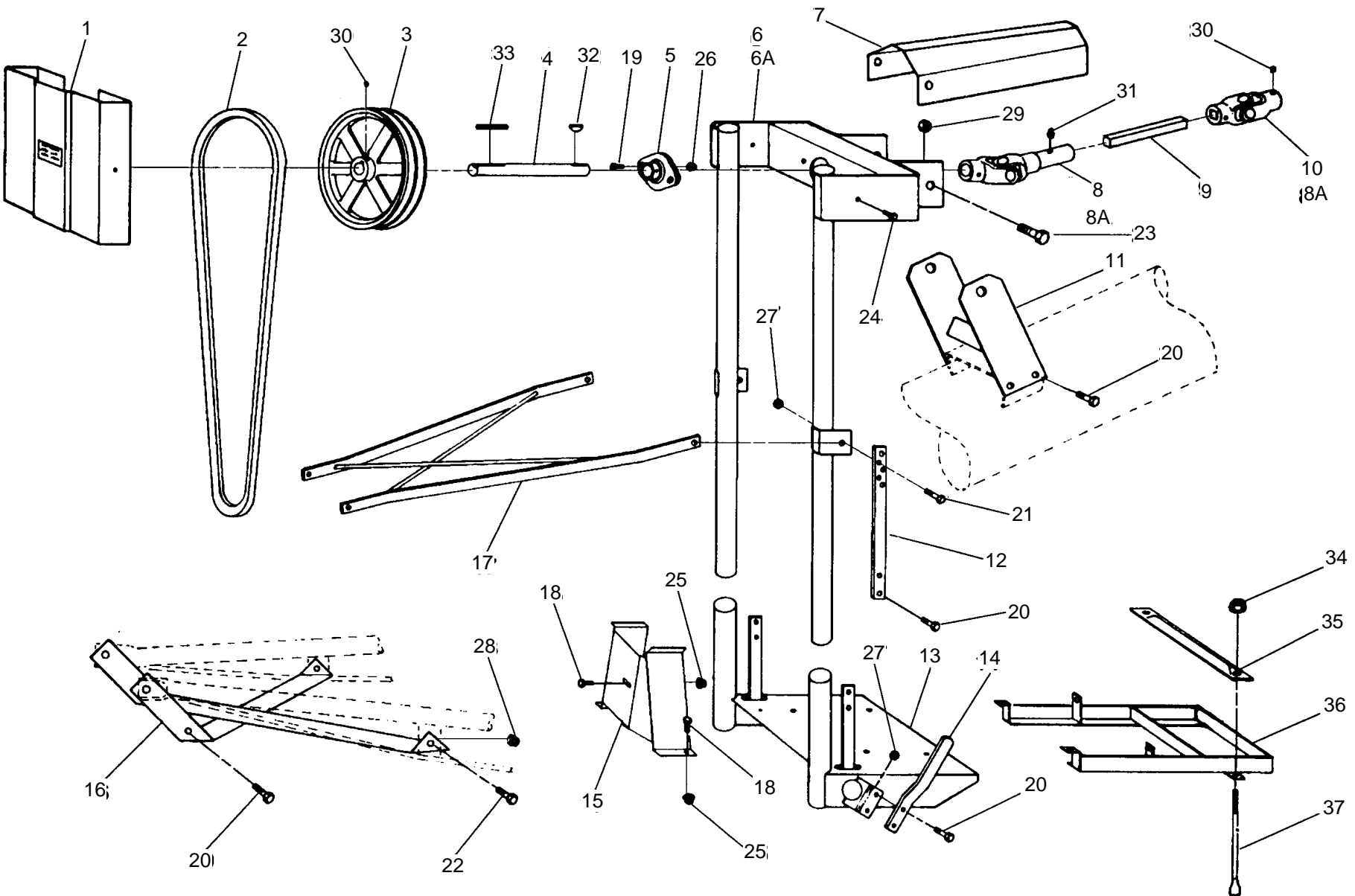
TRANSPORT AUGER DRIVES

PARTS MANUAL

TABLE OF CONTENTS

DESCRIPTION	PAGE
MD (MOTOR DRIVE): W & WR60, 70, 80 SERIES	4
EMD (ELECTRIC MOTOR DRIVE): W & WR60, 70, 80 X 26FT&31FT	6
EMD (ELECTRIC MOTOR DRIVE): W & WR60 X 36FT-61FT 70-80 X 36FT-51FT	8
EMD (ELECTRIC MOTOR DRIVE): W130 X 31FT-41FT	10
EMD (ELECTRIC MOTOR DRIVE): W & WR80 X 56FT-71FT ALL W & WR100	12
PTO-BD (BELT DRIVE) W & WR60, 70, 80 SERIES	16
PTO-SD (SHAFT DRIVE): W & WR60 X 31FT-61FT	20
PTO-SD (SHAFT DRIVE): W & WR80 X 31FT-51FT	22
PTO-SD (SHAFT DRIVE): W & WR80 X 56FT-71FT	26
PTO-SD (SHAFT DRIVE): ALL W & WR100	28
PTO-SD (SHAFT DRIVE): W130 X 31FT-41FT	30
PTO-SD (SHAFT DRIVE): W130 X 51FT-71FT	32

MD (MOTOR DRIVE): W & WR60, 70, 80 SERIES

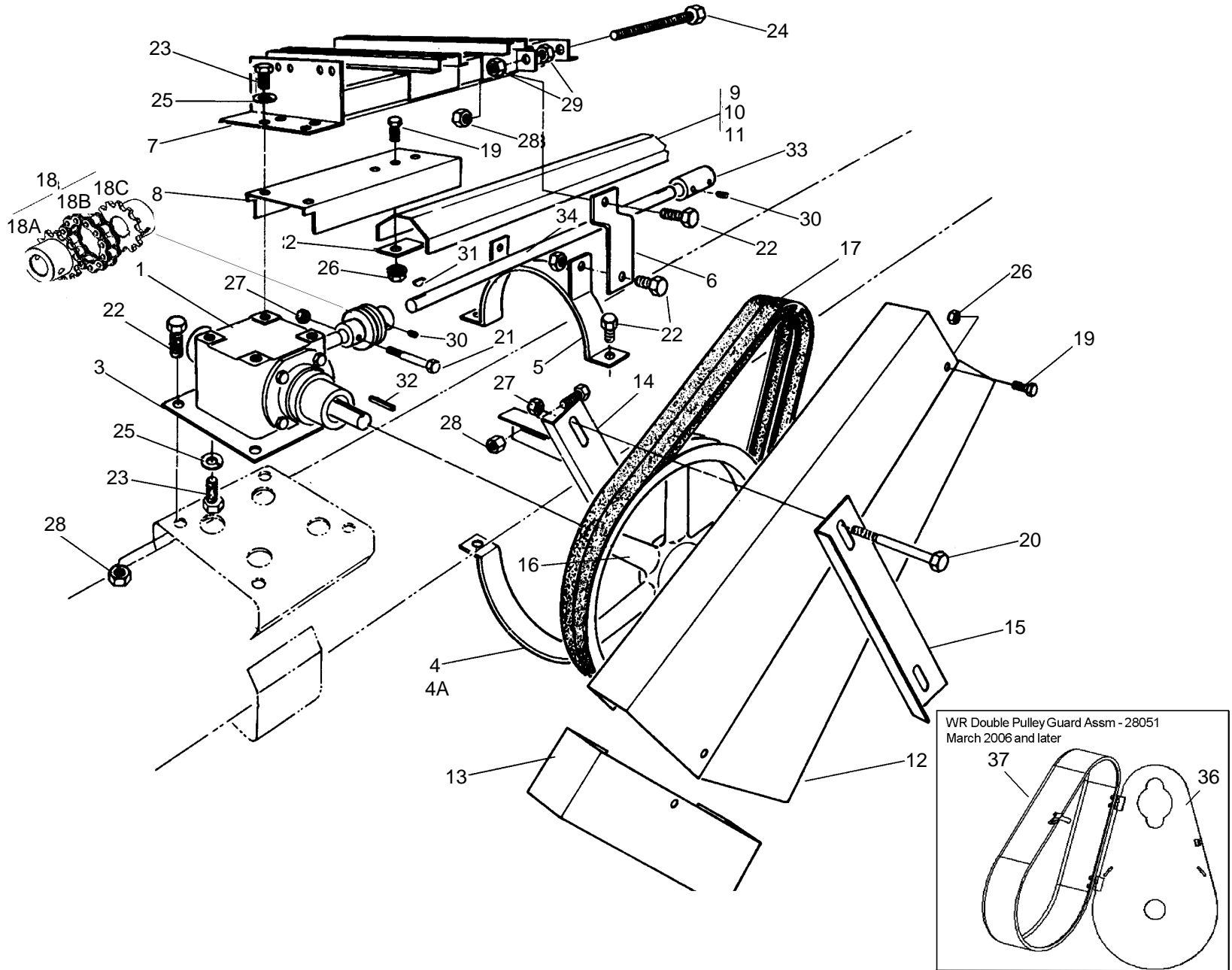


MD (MOTOR DRIVE): W & WR60, 70, 80 SERIES

ITEM	PART NO.	DESCRIPTION
1	10-19611	Pulley shield
2	10-19211	Belt, B95, for 26' to 41' augers
2	10-19212	Belt, B100, for W & WR70 - 46' to 51' augers
3	10-19613	13" pulley, double groove, 1" bore
4	10-19218	1" roundshaft, 7-1/2" long
5	10-19321	1" flangette bearing
6	10-19623	Engine carriage w/shaft & bearings
6A	10-18483	Engine carriage/level brace, bundle as shipped
7	10-19167	Shield, U-joint
8	10-19219	Slip universal joint, w/set screw & grease fitting
8A	10-19235	U-joint cross kit
9	10-19615	3/4" square shaft
10	10-19220	Std. universal joint, w/set screw & grease fitting
11	10-19616	Attach bracket, engine carriage
12	10-19617	Release strap, single, for 26' to 41' augers
12	10-19618	Release strap, single, for W & WR70 - 46' to 51'
13	10-19619	Motor mount
14	10-19182	Belt release handle
15	10-19620	Pulley shield, motor
16	10-19621	Criss cross leveler bracket
17	10-19622	Leveler, engine carriage
18	10-19537	Bolt, 1/4" - 20 x 1/2", grade 2
19	10-19538	Bolt, 5/16" - 18 x 3/4", grade 2
20	10-19542	Bolt, 7/16" - 14 x 1", grade 5
21	10-19981	Bolt, 7/16" - 14 x 1-3/4", grade 5
22	10-19588	Bolt, 1/2" - 13 x 1-1/4", grade 5
23	10-19590	Bolt, 5/8" - 11 x 1-1/2", grade 5
24	10-19274	Self-tapping screw, 1/4"-14x5/8", w/washerhead
25	10-19594	Washer locknut, 1/4" - 20
26	10-19595	Washer locknut, 5/16" - 18
27	10-19598	Locknut, 7/16" - 14
28	10-19599	Locknut, 1/2" - 13
29	10-19600	Locknut, 5/8" - 11
30	10-19225	Set screw, 3/8" - 16 x 3/8"
31	10-19223	Threaded grease fitting
32	10-19224	Woodruff key, 1/4" x 1"
33	10-19606	Square key, 1/4" x 1-1/2"
34	10-19596	Washer locknut, 3/8" - 16
35	10-18211	Hold down bracket
36	10-18453	Battery tray
37	10-18212	Bolt, 3/8" - 16 x 10-1/2", special

EMD (ELECTRIC MOTOR DRIVE): W & WR60, 70, 80 X 26FT&31FT

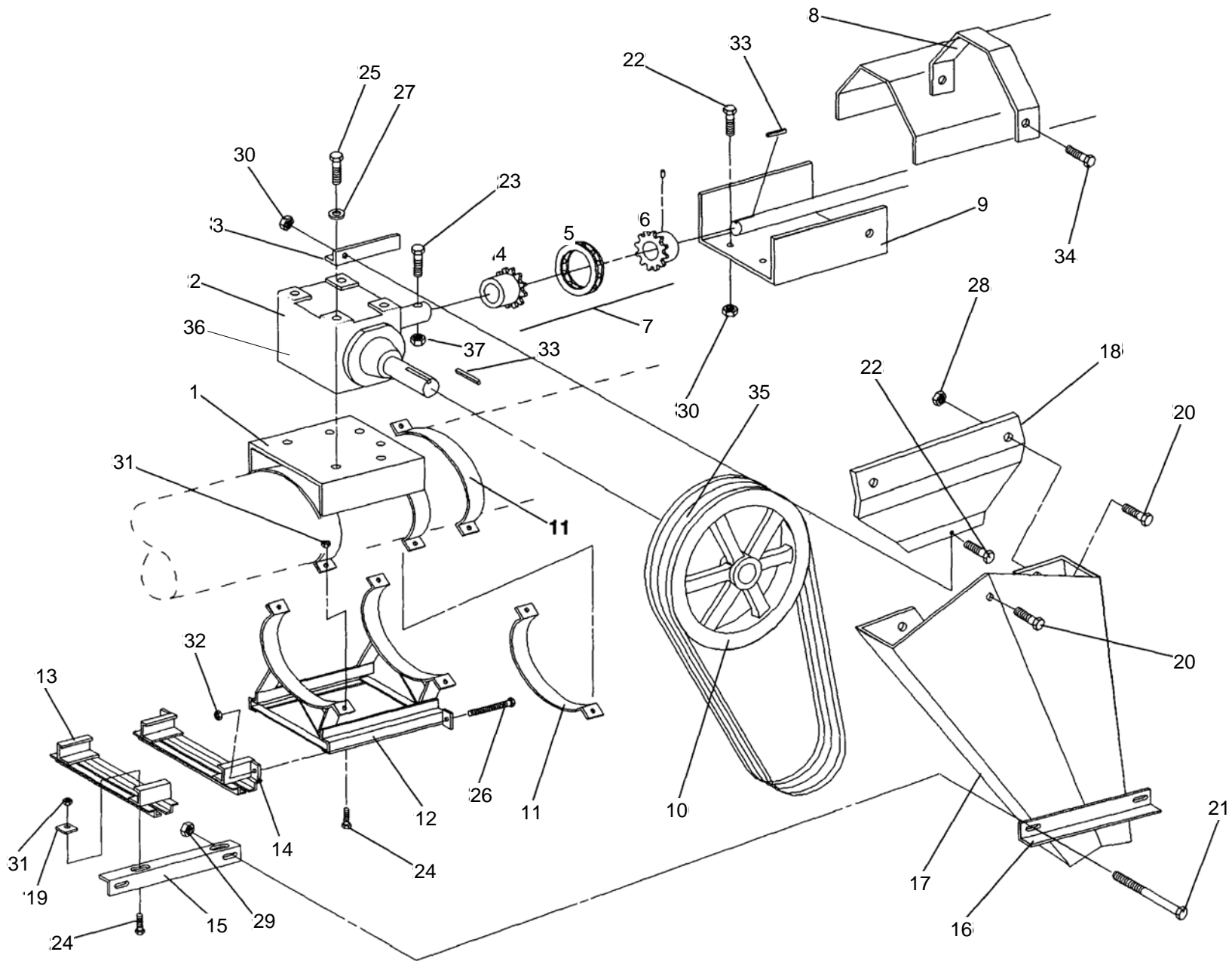
ITEM	PART NO.	DESCRIPTION
1	10-19473	Gearbox
2	10-19021	Gearbox mount, (W & WR60)
2	10-19919	Gearbox mount, (W & WR70)
2	10-19920	Gearbox mount, (W & WR80)
3	10-19627	Shield securing bracket
4	10-19022	Tube halfband, (W & WR60)
4	10-19199	Tube halfband, (W & WR70)
4	10-19460	Tube halfband, (W & WR80)
5	10-19921	Halfband bracket, (W & WR60)
5	10-19922	Halfband bracket, (W & WR70)
5	10-19923	Halfband bracket, (W & WR80)
6	10-19926	Mount strap
7	10-19927	Electric motor mount
8	10-19626	Slip connector shield
9	10-19928	Driveshaft shield, 24" long
10	10-19254	Driveshaft shield, 42" long
11	10-19255	Driveshaft shield, 48" long
12	10-19845	Pulley shield
13	10-19930	Pulley shield extension
14	10-19931	Shield bracket
15	10-19932	Attach bracket
16	10-19613	Double groove 13" pulley, 1" bore
17	10-19934	Belt, B62
18	10-17592	Flex connector, 1" x 1" bore
18A	10-17591	Flex connector sprocket, 1" bore w/bolt
18B	10-19559	Roller chain
18C	10-19557	Flex connector sprocket, 1" bore&keyway
19	10-19537	Bolt, 1/4" - 20 x 1/2", grade 2
20	10-19936	Bolt, 5/16" - 18 x 5", grade 2
21	10-17631	Bolt, 5/16" - 18 x 2-1/2", grade 2
22	10-19542	Bolt, 7/16" - 14 x 1", grade 5
23	10-19540	Bolt, 3/8" - 16 x 3/4", grade 2
24	10-19937	Bolt, 1/2" - 13 x 9", special
25	10-19604	Lockwasher, 3/8"
26	10-19594	Washer-locknut, 1/4" - 20
27	10-19980	Locknut, 5/16" - 18
28	10-19598	Locknut, 7/16" - 14
29	10-19602	Hex nut, 1/2" - 13
30	10-19225	Setscrew, 3/8" - 16 x 3/8"
31	10-19224	Woodruff key, 1/4" x 1"
32	10-19606	Sq. key, 1/4" x 1-1/2"
33	10-19119	Driveshaft connector, 1" bore
34	10-19650	Driveshaft, 1" x 28" long
36	10-28045	WR Double Guard Backplate
37	10-28049	Small Plastic Guard only
38	10-28051	WR Double Pulley Guard Assm
39	10-17443	GEARBOX ASSEMBLY (WR60-26/31 ONLY)
39	10-17445	GEARBOX ASSEMBLY (WR80-26/31 ONLY)



EMD (ELECTRIC MOTOR DRIVE): W & WR60 X 36FT-61FT | 70-80 X 36FT-51FT

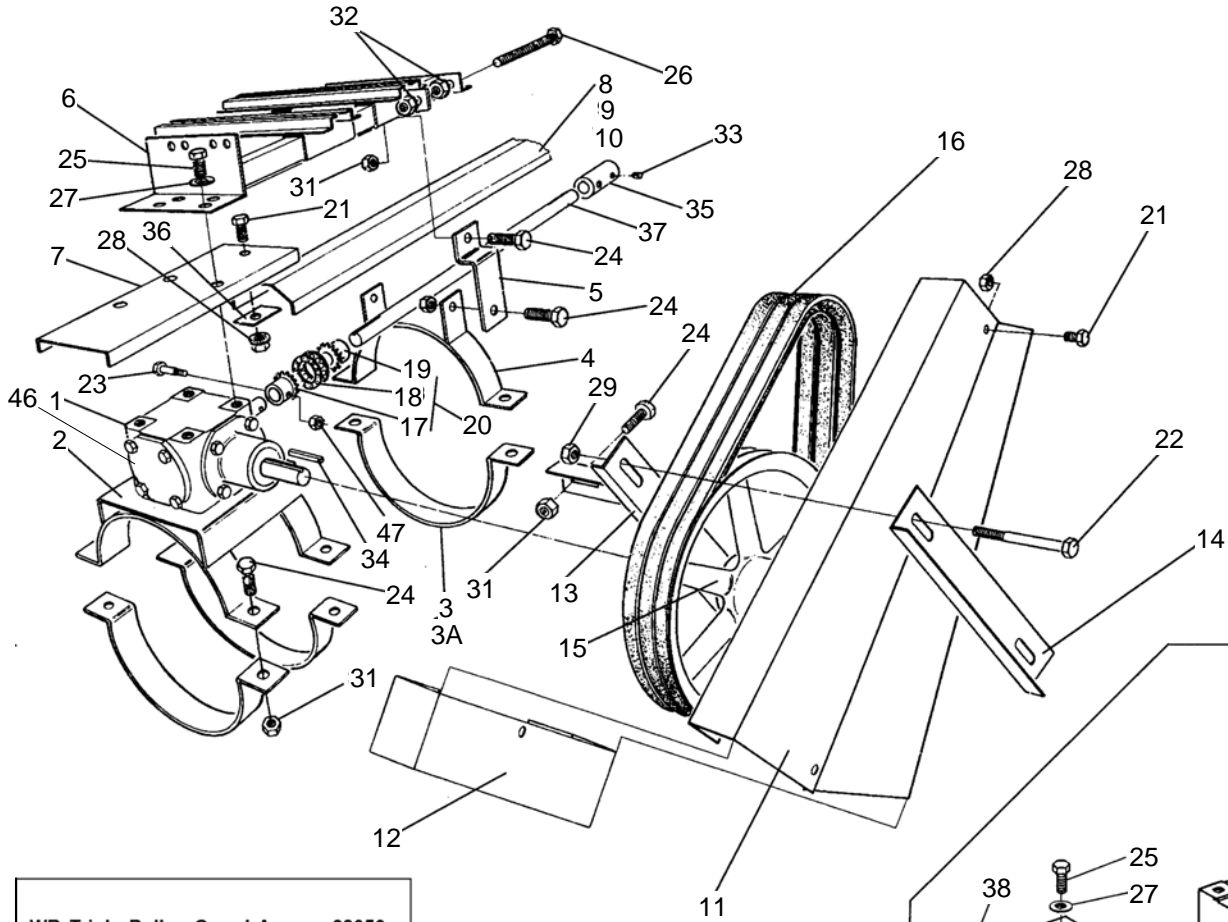
ITEM	PART NO.	DESCRIPTION
1	10-19473	Gearbox
2	10-19627	Shield securing bracket
3	10-19633	Gearbox mounting plate
4	10-19022	Tube halfband, (W & WR60)
4	10-19199	Tube halfband, (W & WR70)
4	10-19460	Tube halfband, (W & WR80)
4A	10-17338	Over track halfband (WR60 x 51' & 61')
5	10-19921	Halfband bracket, (W & WR60)
5	10-19922	Halfband bracket, (W & WR70)
5	10-19923	Halfband bracket, (W & WR80)
6	10-19926	Mount strap
7	10-19927	Electric motor mount
8	10-19626	Slip connector shield
9	10-19928	Driveshaft shield, 24" long
10	10-19254	Driveshaft shield, 42" long
11	10-19255	Driveshaft shield, 48" long
12	10-19845	Pulley shield
13	10-19930	Pulley shield extension
14	10-19931	Shield bracket
15	10-19932	Attach bracket
16	10-19613	Double groove 13" pulley, 1" bore
17	10-19934	Belt, B62
18	10-17592	Flex connector, 1" x 1" bore
18A	10-17591	Flex connector sprocket, 1" bore w/bolt
18B	10-19559	Roller chain
18C	10-19557	Flex connector sprocket, 1" bore & keyway
19	10-19537	Bolt, 1/4" - 20 x 1/2", grade 2
20	10-19936	Bolt, 5/16" - 18 x 5", grade 2
21	10-17631	Bolt, 5/16" - 18 x 2-1/2", grade 2
22	10-19542	Bolt, 7/16" - 14 x 1", grade 5
23	10-19540	Bolt, 3/8" - 16 x 3/4", grade 2
24	10-19937	Bolt, 1/2" - 13 x 9", special
25	10-19604	Lockwasher, 3/8"
26	10-19594	Washer-locknut, 1/4" - 20
27	10-19980	Locknut, 5/16" - 18
28	10-19598	Locknut, 7/16" - 14
29	10-19602	Hex nut, 1/2" - 13
30	10-19225	Setscrew, 3/8" - 16 x 3/8"
31	10-19224	Woodruff key, 1/4" x 1"
32	10-19606	Sq. key, 1/4" x 1-1/2"
33	10-19119	Driveshaft connector, 1" bore
34	10-17189	Driveshaft, 1-1/4" x 10' 2-1/2" long (WR80 - 46')
34	10-17190	Driveshaft, 1-1/4" x 13' 10" long (WR80 - 51')
34	10-19628	Driveshaft, 1" x 4' 9" long (W&WR60, 70-36 to 51')
34	10-19629	Driveshaft, 1-1/4" x 4' 5-1/2" long (W&WR80-36' & 41')
34	10-19630	Driveshaft, 1-1/4" x 10' 8-1/2" long (W80 - 46')
34	10-19631	Driveshaft, 1-1/4" x 14' 4" long (W80 - 51')
35	10-28051	WR Double Pulley Guard Assm.
36	10-28045	WR Double Guard Backplate
37	10-28049	Small Plastic Guard only

EMD (ELECTRIC MOTOR DRIVE): W130 X 31FT-41FT

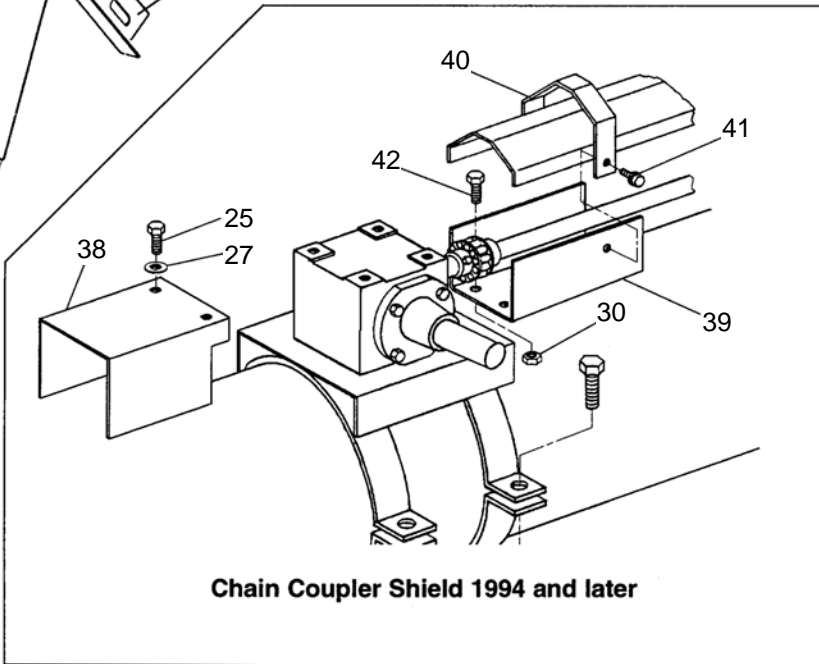
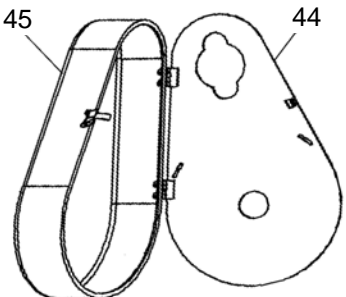


EMD (ELECTRIC MOTOR DRIVE): W130 X 31FT-41FT

ITEM	PART NO.	DESCRIPTION
1	10-17233	Gearbox mount
2	10-29676	GEARBOX
3	10-17234	Shield bracket
4	10-19673	Flex connector sprocket, 1-1/4" bore w/bolt
5	10-19559	Roller chain w/connector link
6	10-19802	Flex connector sprocket, 1-1/4" bore w/keyway
7	10-19803	Flex connector 1-1/4" x 1-1/4" bore
8	10-19256	Shield tiedown strap
9	10-17235	Flex connector shield
10	10-19933	15" Triple groove pulley, 1-1/4" bore
11	10-18987	Tube halfband
12	10-17236	Electric motor mount
13	10-17237	Motor mount rail
14	10-17238	Adjust motor mount rail
15	10-17239	Narrow, shield mount angle
16	10-19932	Wide, shield mount angle
17	10-17240	Pulley shield
18	10-17241	Shield mount bracket
19	10-17242	Square washer
20	10-19537	Bolt, 1/4" - 20 x 1/2", grade 2
21	10-19936	Bolt, 5/16" - 18 x 5", grade 2
22	10-19540	Bolt, 3/8" - 16 x 3/4", grade 2
23	10-17635	3/8" X 2-3/4" NC BOLT GR 8 PLTD
24	10-18698	Bolt, 7/16" - 14 x 1-1/4", grade 5
25	10-19549	Bolt, 1/2" - 13 x 1", grade 2
26	10-19937	Bolt, 1/2" - 13 x 9", special
27	10-19605	Lockwasher, 1/2"
28	10-19594	Washer - locknut, 1/4" - 20
29	10-19595	Washer - locknut, 5/16" - 18
30	10-19596	Washer - locknut, 3/8" - 16
31	10-19598	Locknut, 7/16" - 14
32	10-19602	Hex nut, 1/2" - 13
33	10-19606	Square key, 1/4" x 1-1/2"
34	10-19274	Self-tapping screw, 1/4"-14x5/8"
35	10-19211	B95 Belts
36	10-29677	GEARBOX ASSEMBLY
37	10-17402	3/8" NC NYLON LOCKNUT PLTD



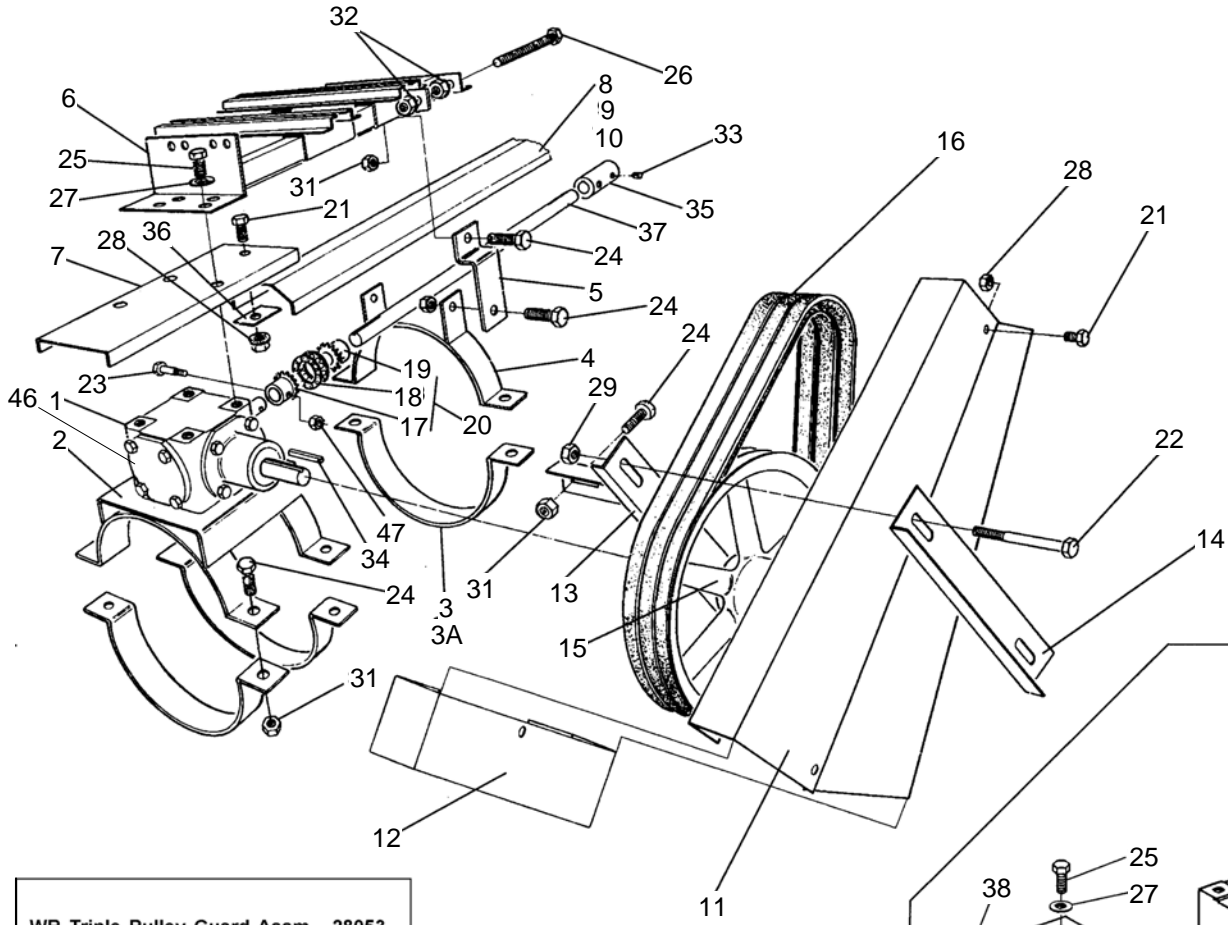
WR Triple Pulley Guard Assm - 28053
March 2006 and later



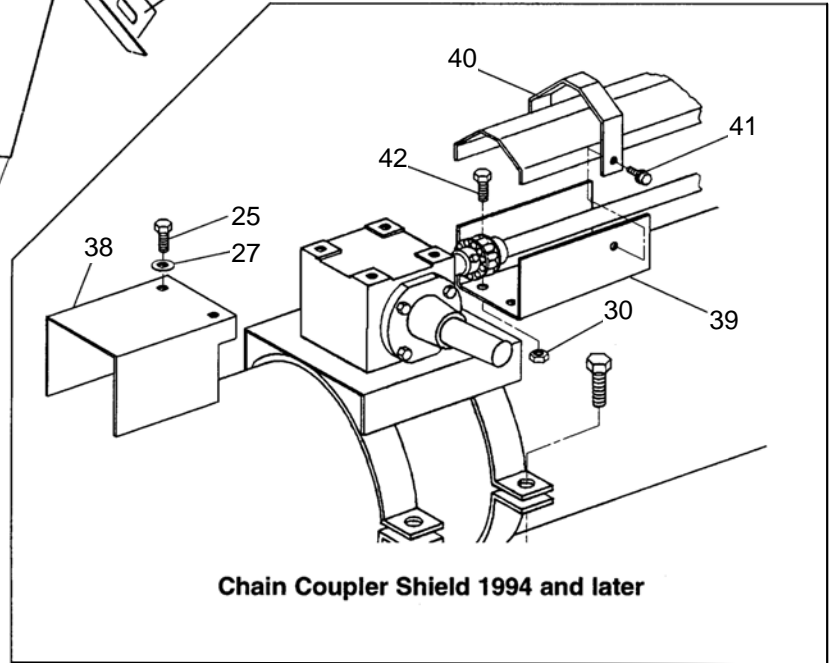
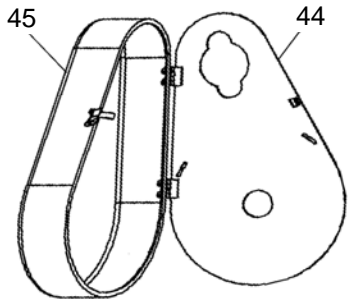
Chain Coupler Shield 1994 and later

EMD (ELECTRIC MOTOR DRIVE): W & WR80 X 56FT–71FT | ALL W & WR100

ITEM	PART NO.	DESCRIPTION
1	10-19585	Gearbox
2	10-19586	Gearbox mount, (W & WR80)
2	10-19800	Gearbox mount, (W & WR100)
3	10-19460	Tube halfband, (W & WR80)
3	10-19801	Tube halfband, (W & WR100)
3A	10-17339	Over track halfband (WR80 x 56' & 61')
3A	10-17340	Over track halfband (WR100 x 61')
4	10-19924	Halfband bracket, (W & WR80)
4	10-19925	Halfband bracket, (W & WR100)
5	10-19926	Mount strap
6	10-19927	Electric motor mount
7	10-19929	Gearbox shield
8	10-19928	Driveshaft shield, 24" long
9	10-19254	Driveshaft shield, 42" long
10	10-19255	Driveshaft shield, 48" long
11	10-19845	Pulley shield
12	10-19930	Pulley shield extension
13	10-19931	Shield bracket
14	10-19932	Attach bracket
15	10-19933	15" triple groove pulley (1-1/4" bore)
16	10-19935	Belt, B67
17	10-19673	Flex connector sprocket, 1-1/4" bore w/bolt
18	10-19559	Roller chain w/connector link
19	10-19557	Flex connector sprocket, 1" bore w/keyway
19	10-19802	Flex connector sprocket, 1-1/4" bore w/keyway
20	10-19674	Flex connector, 1" x 1-1/4" bore
20	10-19803	Flex connector, 1-1/4" x 1-1/4" bore
21	10-19537	Bolt, 1/4" - 20 x 1/2", grade 2
22	10-19936	Bolt, 5/16" - 18 x 5", grade 2
23	10-19541	Bolt, 3/8" - 16 x 2-3/4", grade 2
24	10-19542	Bolt, 7/16" - 14 x 1", grade 5
25	10-19549	Bolt, 1/2" - 13 x 1", grade 2
26	10-19937	Bolt, 1/2" - 13 x 9", special
27	10-19605	Lockwasher, 1/2"
28	10-19594	Washer-locknut, 1/4" - 20
29	10-19980	Locknut, 5/16" - 18
30	10-19596	Washer-locknut, 3/8" - 16
31	10-19598	Locknut, 7/16" - 14
32	10-19602	Hex nut, 1/2" - 13
33	10-19225	Setscrew, 3/8" - 16 x 3/8"
34	10-19606	Square key, 1/4" x 1-1/2"
35	10-19119	Driveshaft connector, (W & WR80)
35	10-19770	Driveshaft connector, (W & WR100)
36	10-19627	Shield securing bracket
37	10-17243	Driveshaft, 1" x 19" WR80-71' only
37	10-17244	Driveshaft, 1-1/4" x 19" WR100-71' only
37	10-19939	Driveshaft, 1" x 6" W80-71' only
37	10-19940	Driveshaft, 1-1/4" x 3' 10" (W & WR100-31')
37	10-19941	Driveshaft, 1-1/4" x 6' 2-1/2" (W & WR100-41')
37	10-19942	Driveshaft, 1-1/4" x 11' 8" (W& WR100-51')



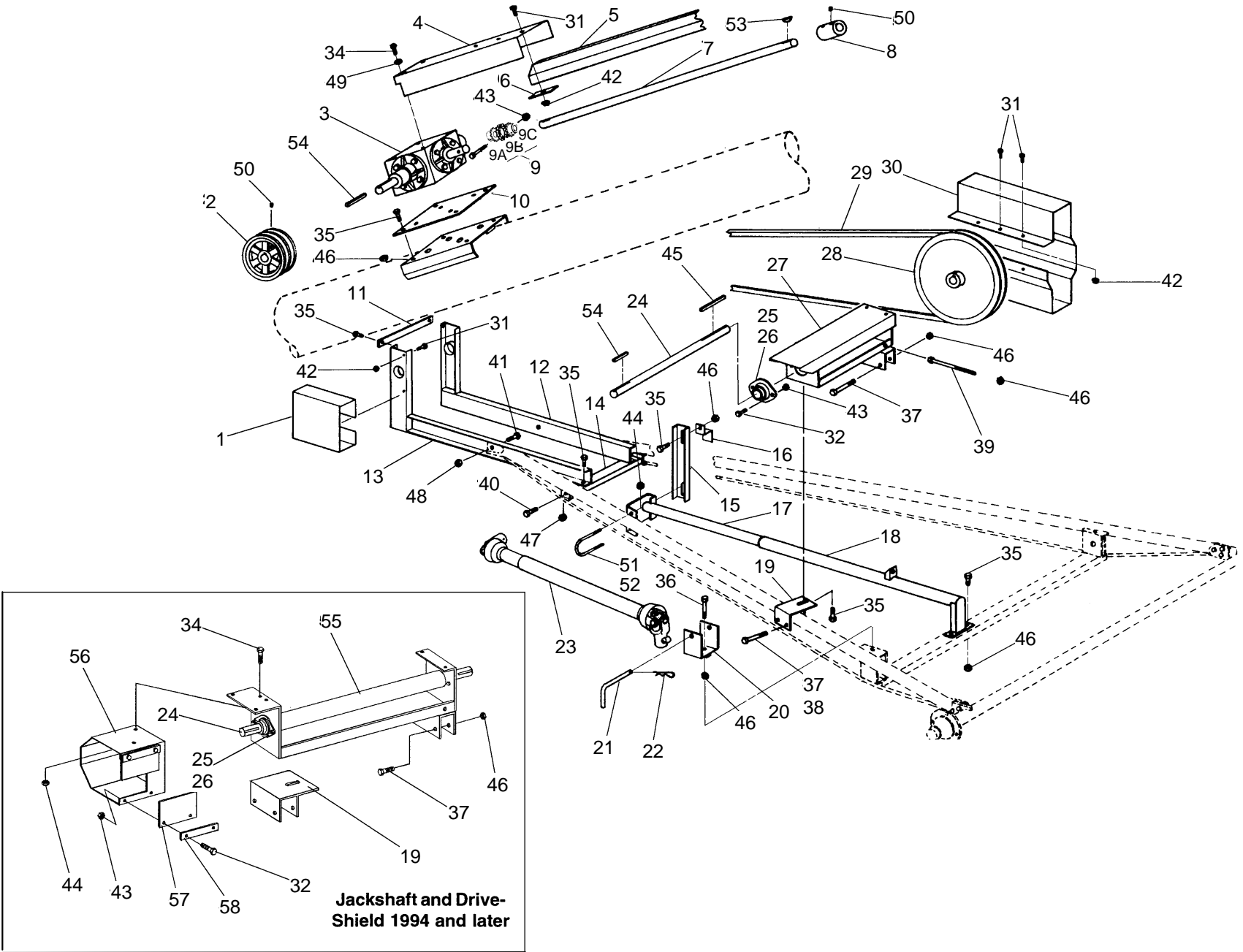
WR Triple Pulley Guard Assm - 28053
March 2006 and later



Chain Coupler Shield 1994 and later

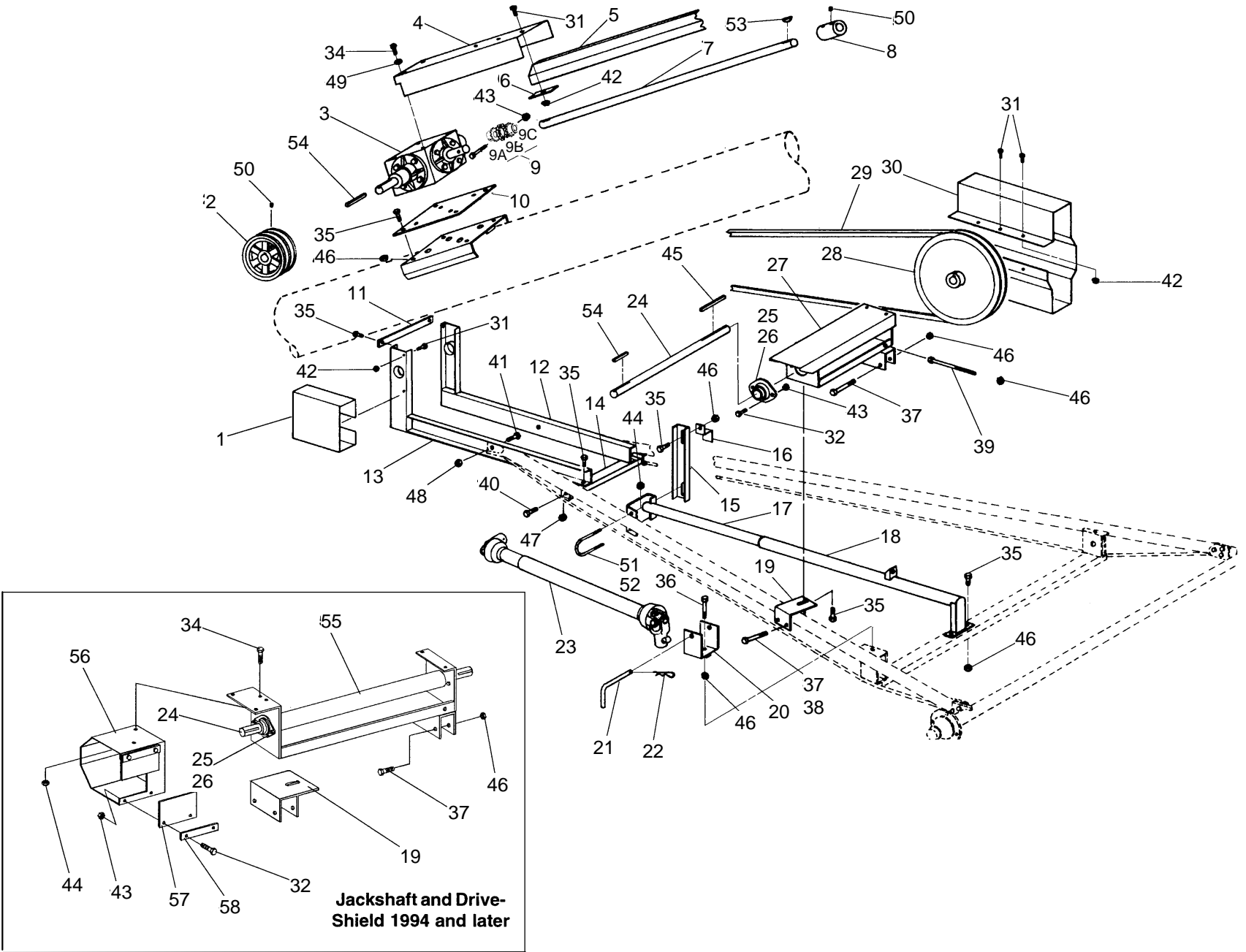
EMD (ELECTRIC MOTOR DRIVE): W & WR80 X 56FT-71FT | ALL W & WR100

ITEM	PART NO.	DESCRIPTION
37	10-19943	Driveshaft, 1-1/4" x 18' 9" (W & WR100-61')
37	10-19944	Driveshaft, 1-1/4" x 6" W100-71' only
37	10-19994	Driveshaft, 1-1/4" x 18' 9" (W & WR80-56' & 61')
38	10-17245	Shield for 3 shaft gearbox
39	10-17235	Chain coupler shield
40	10-19256	Shield tie down strap
41	10-19274	self-tapping screw, 1/4" - 14 x 5/8
42	10-19540	Bolt, 3/8" - 16 x 3/4", grade 2
43	10-28053	WR Triple Pulley Guard Assm (not shown)
44	10-28047	WR Triple Guard Backplate (not shown)
45	10-28048	Large Plastic Guard only (not shown)
46	10-19675	GEARBOX ASSEMBLY (WR80-56'/61'/71' ONLY)
46	10-19805	GEARBOX ASSEMBLY (W100 ONLY)
47	10-17402	3/8" NC NYLON LOCKNUT PLTD



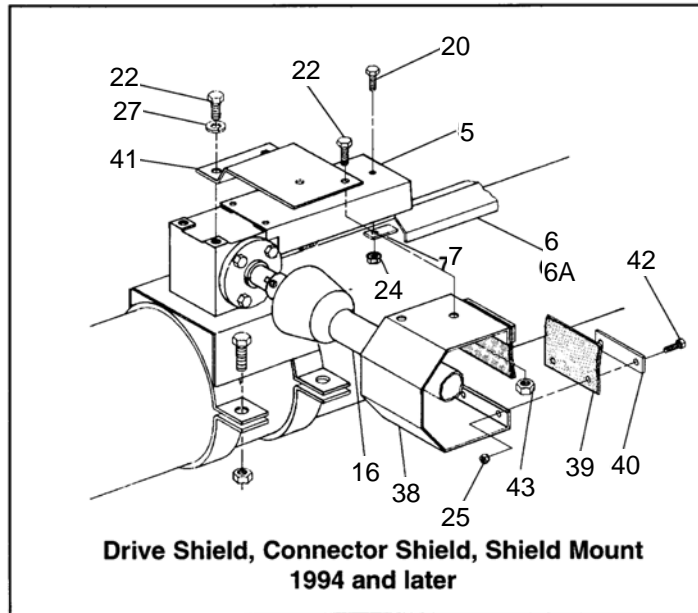
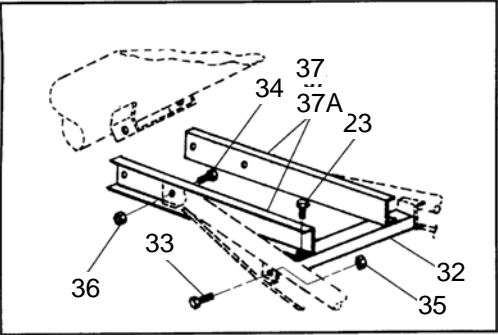
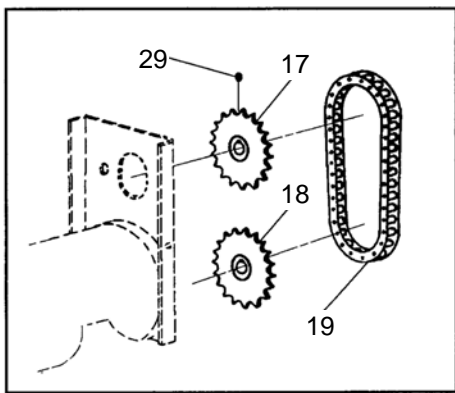
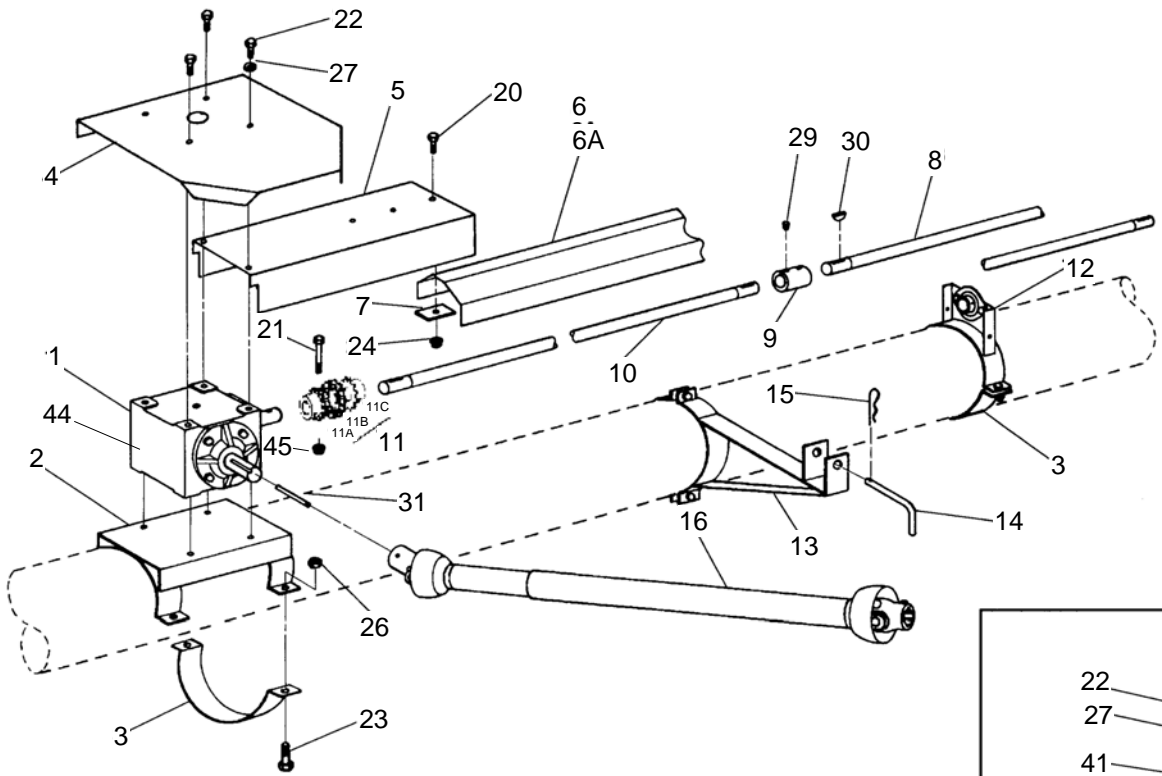
PTO-BD (BELT DRIVE) W & WR60, 70, 80 SERIES

ITEM	PART NO.	DESCRIPTION
1	10-19624	Small pulley shield
2	10-19475	8" pulley, double, W & WR70 & 80 only 1" bore
2	10-19625	8" pulley, single groove, W & WR60 only 1" bore
3	10-19473	Gearbox, BD
4	10-19626	Shield, slip connector
5	10-19255	48" shield, driveshaft
6	10-19627	Shield securing bracket
7	10-17189	Driveshaft, 1-1/4" x 10' 2-1/2" long, WR80 - 46' only
7	10-17190	Driveshaft, 1-1/4" x 13' 10" long, WR80 - 51' only
7	10-19628	Driveshaft, 1" x 4' 9" long, W & WR60, 70 - 36' to 51'
7	10-19629	Driveshaft, 1-1/4" x 4' 5-1/2" long, W80 - 36' & 41'
7	10-19630	Driveshaft, 1-1/4" x 10' 8-1/2" long, W80 - 46' only
7	10-19631	Driveshaft, 1-1/4" x 14' 4" long, W80 - 51' only
8	10-19119	Driveshaft connector
9	10-17592	Flex connector, 1" x 1" bore
9A	10-17591	Flex connector sprocket, 1" bore w/bolt
9B	10-19559	Roller chain
9C	10-19557	Flex connector sprocket, 1" bore w/keyway
10	10-19633	Mounting plate, gearbox
11	10-19634	Spacer bracket
12	10-19635	Extension, left reach arm
13	10-19636	Extension, right reach arm
14	10-19637	20" crossmember
15	10-19638	Channel, belt guide
16	10-19639	Belt guide, single
17	10-19640	1-3/4" support tube, W & WR60, 70, 80 - 36' augers
17	10-19641	1-3/4" support tube, W & WR60, 70, 80 - 41' augers
17	10-19642	1-3/4" support tube, W & WR70, 80 - 46' augers
17	10-19643	1-3/4" support tube, W & WR70, 80 - 51' augers
18	10-18532	2" support tube, 46' to 51' augers
18	10-19644	2" support tube, 36' to 41' augers
19	10-19645	Sliding bracket, jackshaft, 36' augers
19	10-19646	Sliding bracket, jackshaft, 41' to 51' augers
20	10-19647	Transport saddle, PTO driveline, less pin & bolt
21	10-19648	Saddle pin, less hairpin
22	10-19463	Hairpin
23	10-19520	PTO driveline, 48"
24	10-19649	1" round shaft, 23" long, for 36' to 46' augers
24	10-19650	1" round shaft, 28" long, for 51' augers
25	10-19321	1" Flangette bearing
26	10-18817	1" Bearing, less flanges
27	10-19653	Jackshaft w/bearings & shaft, for 36' to 46' augers
27	10-19654	Jackshaft w/bearings & shaft, for 51' augers
28	10-18533	15" pulley, double groove, 1" bore, W & WR70/80 augers
28	10-19476	15" pulley, single groove, W & WR60 augers 1" bore
29	10-19477	Belt B180, for 36' augers, 1 on W & WR60, 2 on W & WR70/80
29	10-19478	Belt B210, for 41' augers, 1 on W & WR60, 2 on W & WR70/80
29	10-19479	Belt B240, for 46' augers
29	10-19480	Belt B270, for 51' augers
30	10-19655	Pulley shield, large



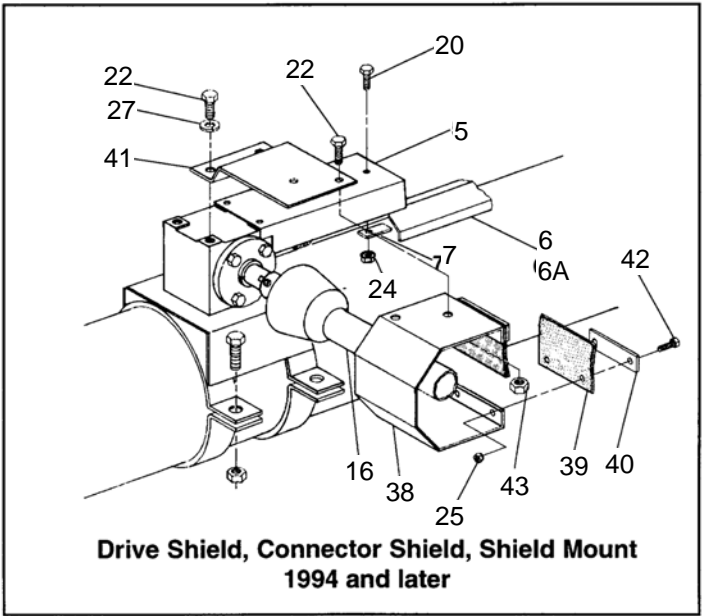
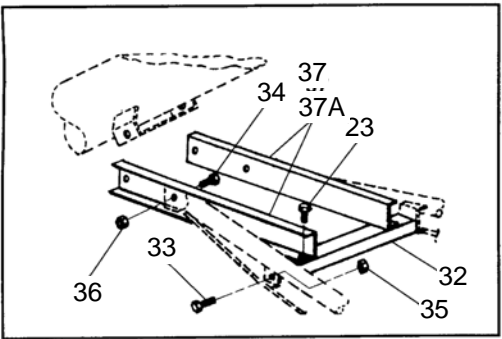
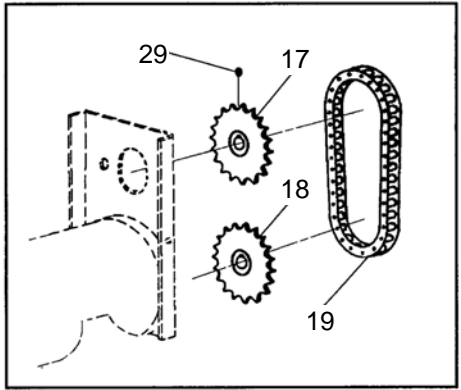
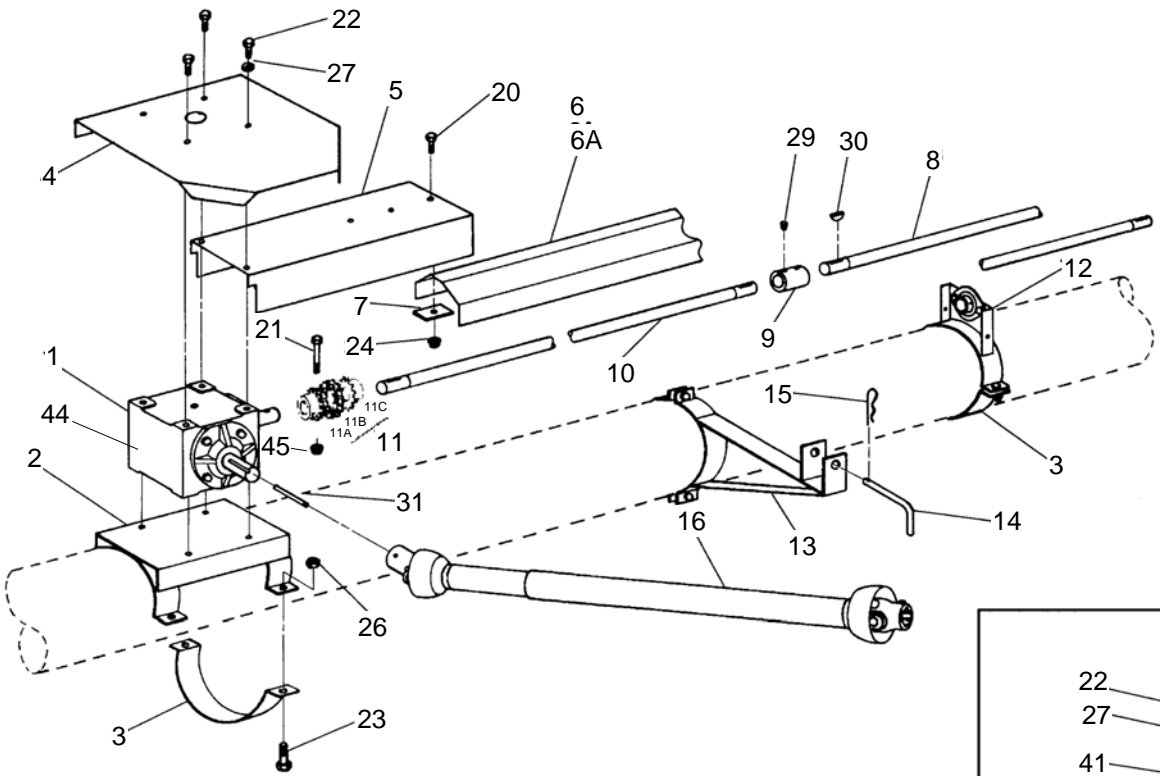
PTO-BD (BELT DRIVE) W & WR60, 70, 80 SERIES

ITEM	PART NO.	DESCRIPTION
31	10-19537	Bolt, 1/4" - 20 x 1/2", grade 2
32	10-19538	Bolt, 5/16" - 18 x 3/4", grade 2
33	10-17631	Bolt, 5/16" - 18 x 2-1/2", grade 2
34	10-19540	Bolt, 3/8" - 16 x 3/4", grade 2
35	10-19542	Bolt 7/16" - 14 x 1", grade 5
36	10-19545	Bolt, 7/16" - 14 x 2-1/4", grade 8
37	10-19546	Bolt, 7/16" - 14 x 3", grade 2, for 36" augers
38	10-19547	Bolt, 7/16" - 14 x 3-1/2", grade 2, for 41'to 51'augers
39	10-19548	Bolt, 7/16" - 14 x 8", special
40	10-19588	Bolt, 1/2" - 13 x 1-1/4", grade 5
41	10-19590	Bolt, 5/8" - 11 x 1-1/2", grade 5
42	10-19594	Washer locknut, 1/4" - 20
43	10-19595	Washer locknut, 5/16" - 18
44	10-19596	Washer locknut, 3/8" - 16
45	10-17854	Square key, 1/4" x 2-1/2"
46	10-19598	Locknut, 7/16" - 14
47	10-19599	Locknut, 1/2" - 13
48	10-19600	Locknut, 5/8" - 11
49	10-19604	Lockwasher, 3/8"
50	10-19225	Set screw, 3/8" - 16 x 3/8"
51	10-19609	U-Bolt, 3/8" - 16 x 2", for 36' augers
52	10-19610	U-Bolt, 3/8" - 16 x 2-1/2", for 41' to 51' augers
53	10-19224	Woodruff key, 1/4" x 1"
54	10-19606	Square key, 1/4" x 1-1/2"
55	10-17246	Jackshaft w/bearings & shaft, for 36' to 46' augers
55	10-17247	Jackshaft w/bearings & shaft, for 51' augers
56	10-17231	Shield assembly with rubber
57	10-17229	Rubber flap
58	10-17230	Rubber mount strap



PTO-SD (SHAFT DRIVE): W & WR60 X 31FT-61FT

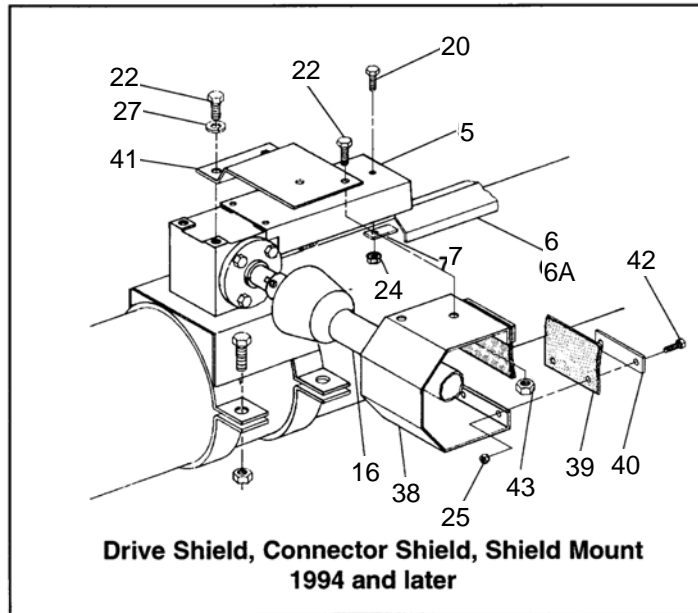
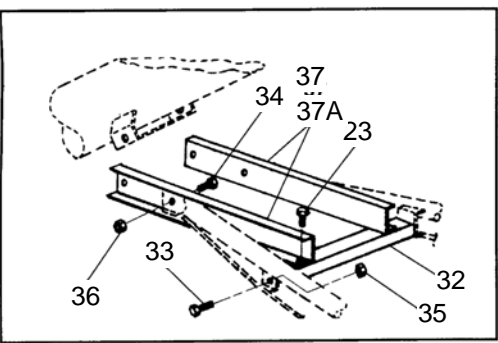
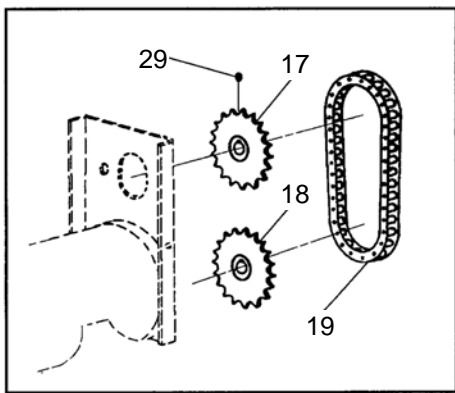
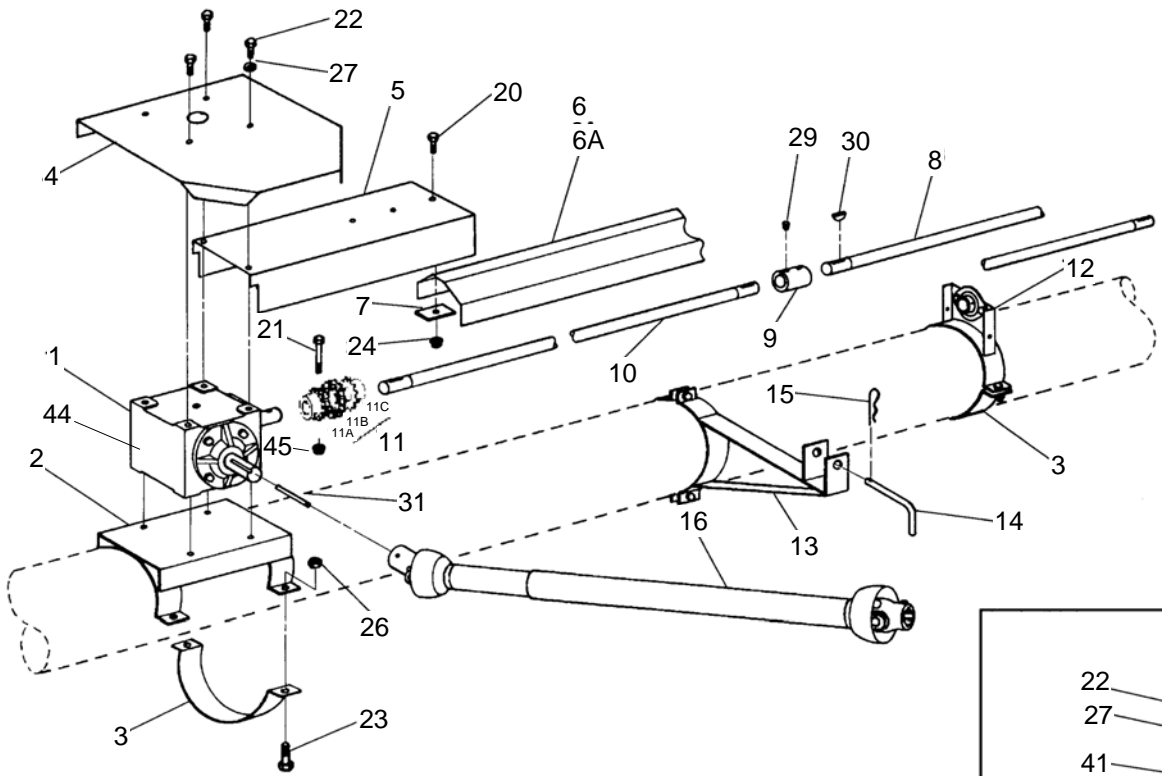
ITEM	PART NO.	DESCRIPTION
1	10-19455	Gearbox
2	10-19021	Gearbox mount
3	10-19022	Tube halfband
4	10-19023	Shield, gearbox
5	10-19626	Shield, slip connector
6	10-19254	42" shield, driveshaft
6A	10-19255	48" shield, driveshaft
7	10-19627	Bracket, shield securing
8	10-19628	1" driveshaft, 4' 9" long(W&WR60-36'/41', W&WR70 36'-51')
9	10-19119	Driveshaft connector
10	10-19656	1" driveshaft, 7' 3/4" long, (W & WR31' models)
10	10-19657	1" driveshaft, 3' 2-1/2" long, (W & WR36' models)
10	10-19658	1" driveshaft, 4' 4" long, (W & WR41' models)
11	10-17592	Flex connector, 1" x 1" bore
11A	10-17591	Flex connector sprocket, 1" bore w/bolt
11B	10-19559	Roller chain
11C	10-19557	Flex connector sprocket, 1" bore w/keyway
12	10-19659	Strap-on bearing
13	10-19025	Transport saddle
14	10-19648	Saddle pin
15	10-19463	Hairpin
16	10-19945	PTO driveline, 60" long
17	10-19027	Sprocket,
18	10-19027	Sprocket,
19	10-19015	Roller chain w/connector
20	10-19537	Bolt, 1/4" - 20 x 1/2", grade 2
21	10-17631	Bolt, 5/16" - 18 x 2-1/2", grade 2
22	10-19540	Bolt, 3/8" - 16 x 3/4", grade 2
23	10-19542	Bolt, 7/16" - 14 x 1", grade 5
24	10-19594	Washer locknut, 1/4" - 20
25	10-19595	Washer locknut, 5/16" - 18
26	10-19598	Locknut, 7/16" - 14
27	10-19604	Lockwasher, 3/8"
28	10-19608	set screw, 5/16" - 18 x 3/8"
29	10-19225	Set screw, 3/8" - 16 x 3/8"
30	10-19224	Woodruff key, 1/4" x 1"
31	10-19606	Square key, 1/4" x 1-1/2"
38	10-17231	Shield assembly with rubber
39	10-17229	Rubber flap
40	10-17230	Rubber mount strap
41	10-17248	Shield attach plate
42	10-19538	Bolt, 5/16" - 18 x 3/4", grade 2
43	10-19596	Washer locknut, 3/8" - 16
44	10-19660	SD gearbox, mount, half connector, as packed
45	10-19980	5/16" NC NYLON LOCKNUT PLTD



**Drive Shield, Connector Shield, Shield Mount
1994 and later**

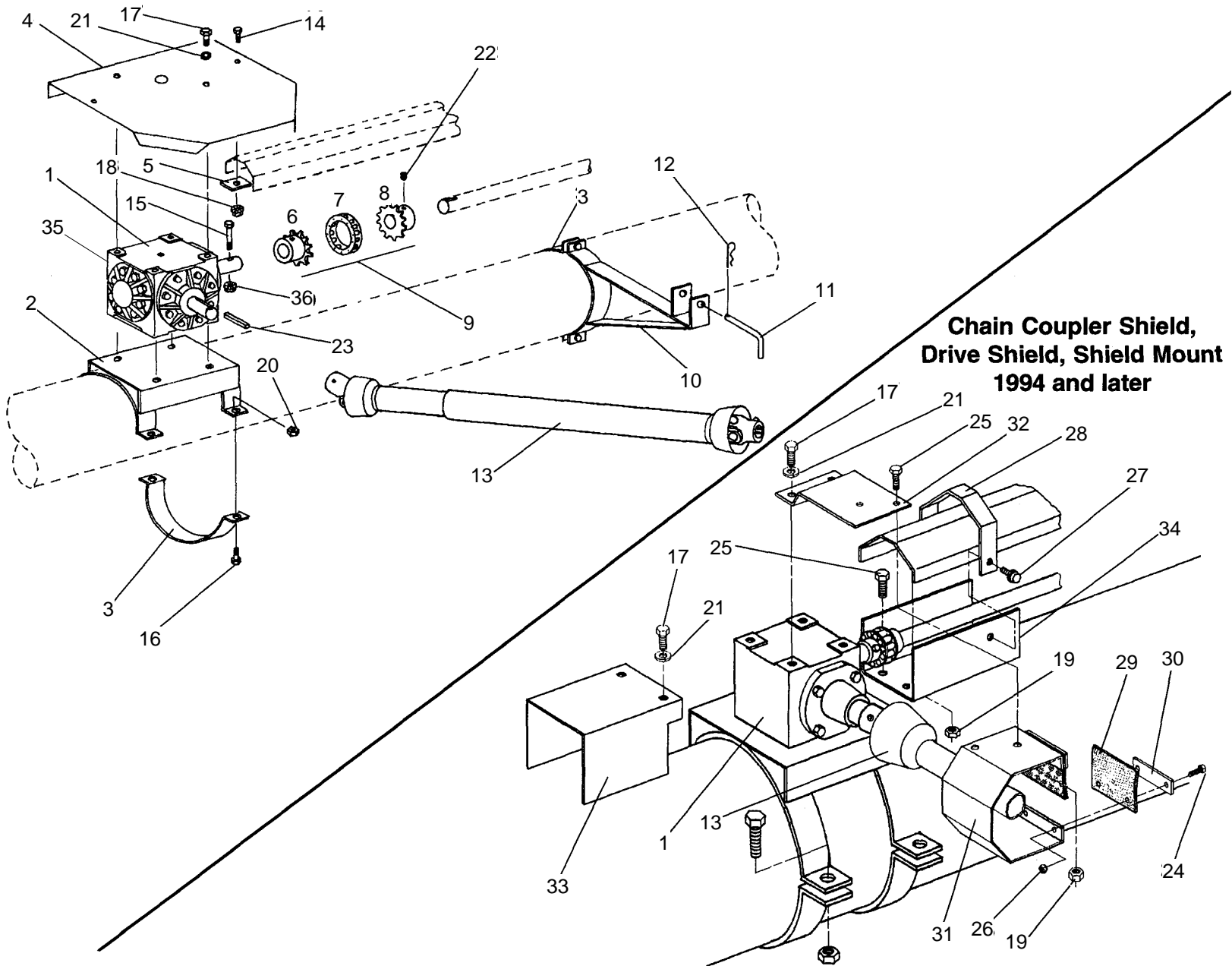
PTO-SD (SHAFT DRIVE): W & WR80 X 31FT-51FT

ITEM	PART NO.	DESCRIPTION
1	10-19455	Gearbox
2	10-19920	Gearbox mount
3	10-19460	Tube halfband
4	10-19023	Shield, gearbox
5	10-19626	Shield, slip connector
6	10-19254	42" shield, driveshaft
6A	10-19255	48" shield, driveshaft
7	10-19627	Bracket, shield securing
8	10-17189	1-1/4" driveshaft, 10' 2-1/2" long, WR80-46' only
8	10-17190	1-1/4" driveshaft, 13' 10" long, WR80-51' only
8	10-19629	1-1/4" driveshaft, 4' 5-1/2" long, W&WR80-36'/41'
8	10-19630	1-1/4" driveshaft, 10' 8-1/2" long, W80-46' only
8	10-19631	1-1/4" driveshaft, 14' 4" long, W80-51' only
9	10-19119	Driveshaft connector
10	10-19662	1-1/4" driveshaft, 3' 5-1/2" long, (W & WR36' models)
10	10-19665	1-1/4" driveshaft, 47" long, (W & WR41' models)
10	10-19666	1-1/4" driveshaft, 6' 0" long, (W & WR46' models)
10	10-19667	1-1/4" driveshaft, 7' 4-1/2" long (W&WR31' models, W&WR51' models)
11	10-17592	Flex connector, 1" x 1" bore
11A	10-17591	Flex connector sprocket, 1" bore w/bolt
11B	10-19559	Roller chain
11C	10-19557	Flex connector sprocket, 1" bore w/keyway
12	10-19669	Strap-on bearing
13	10-19461	Transport saddle
14	10-19648	Saddle pin
15	10-19463	Hairpin
16	10-19945	PTO driveline, 60" long
17	10-19946	Sprocket,
18	10-19946	Sprocket,
19	10-19432	Roller chain w/connector
20	10-19537	Bolt, 1/4" - 20 x 1/2", grade 2
21	10-17631	Bolt, 5/16" - 18 x 2-1/2", grade 2
22	10-19540	Bolt, 3/8" - 16 x 3/4", grade 2
23	10-19542	Bolt, 7/16" - 14 x 1", grade 5
24	10-19594	Washer locknut, 1/4" - 20
25	10-19595	Washer locknut, 5/16" - 18
26	10-19598	Locknut, 7/16" - 14
27	10-19604	Lockwasher, 3/8"
28	10-19608	set screw, 5/16" - 18 x 3/8"
29	10-19225	Set screw, 3/8" - 16 x 3/8"
30	10-19224	Woodruff key, 1/4" x 1"
31	10-19606	Square key, 1/4" x 1-1/2"
32	10-19536	Crossmember, 19" long, 46'-51' models
33	10-19588	Bolt, 1/2" - 13 x 1-1/4", grade 5
34	10-19590	Bolt, 5/8" - 11 x 1-1/2", grade 5
35	10-19599	Locknut, 1/2" - 13
36	10-19600	Locknut, 5/8" - 11
37	10-19670	Reach extension, left/right, 46'-51'
37A	10-19949	Reach arm extension bundle
38	10-17231	Shield assembly with rubber



PTO-SD (SHAFT DRIVE): W & WR80 X 31FT-51FT

ITEM	PART NO.	DESCRIPTION
39	10-17229	Rubber flap
40	10-17230	Rubber mount strap
41	10-17248	Shield attach plate
42	10-19538	Bolt, 5/16" - 18 x 3/4", grade 2
43	10-19596	Washer locknut, 3/8" - 16
44	10-19990	SD gearbox, mount, half connector, as packed
45	10-19980	5/16" NC NYLON LOCKNUT PLTD



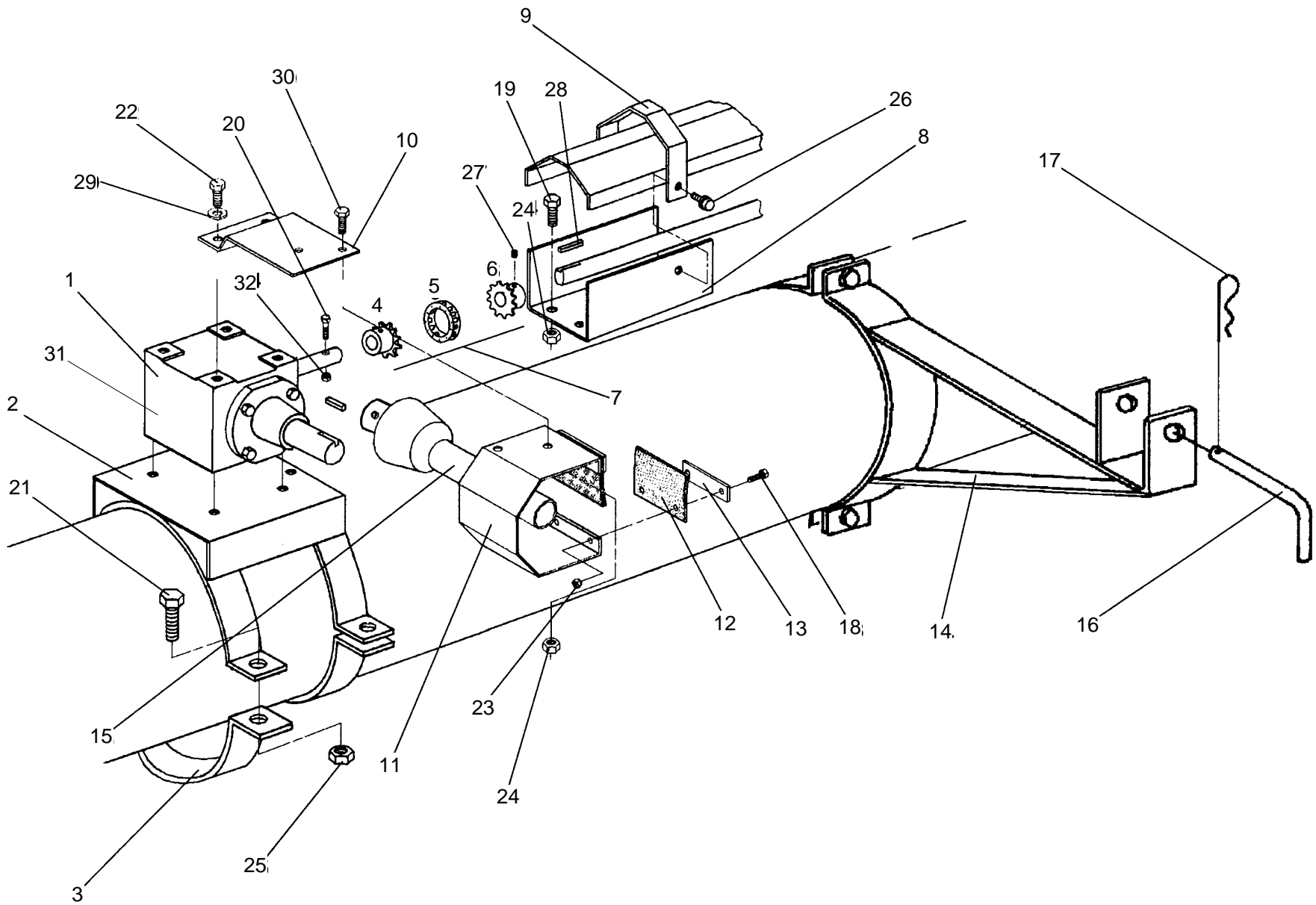
PTO-SD (SHAFT DRIVE): W & WR80 X 56FT-71FT

ITEM	PART NO.	DESCRIPTION
1	10-19585	Gearbox, SD
2	10-19586	Mount, gearbox, less halfbands
3	10-19460	Halfband, tube
4	10-19587	Shield, gearbox
5	10-19627	Bracket, shield securing
6	10-19673	Sprocket, flex connector, 1-1/4" bore w/bolt hole
7	10-19559	Roller chain w/connector link
8	10-19557	Sprocket, flex connector 1" bore
9	10-19674	Complete flex connector
10	10-19461	Transport saddle, PTO, less halfband
11	10-19648	Saddle pin, less hairpin
12	10-19463	Hairpin
13	10-19806	PTO driveline, 60" long
14	10-19537	Bolt, 1/4" - 20 x 1/2", grade 2
15	10-19541	Bolt, 3/8" - 16 x 2-3/4", grade 2
16	10-19542	Bolt, 7/16" - 14 x 1", grade 5
17	10-19549	Bolt, 1/2" - 13 x 1", grade 2
18	10-19594	Washer locknut, 1/4" - 20
19	10-19596	Washer locknut, 3/8" - 16
20	10-19598	Locknut, 7/16" - 14
21	10-19605	Lockwasher, 1/2"
22	10-19608	Setscrew, 5/16" - 18 x 3/8"
23	10-19606	Sq. key, 1/4" x 1-1/2"
24	10-19538	Bolt, 5/16" - 18 x 3/4", grade 2
25	10-19540	Bolt, 3/8" - 16 x 3/4", grade 2
26	10-19595	Washer locknut, 5/16" - 18
27	10-19274	Self-tapping screw, 1/4"-14x5/8"
28	10-19256	Shield tiedown strap
29	10-17229	Rubber flap
30	10-17230	Rubber mount strap
31	10-17232	Shield assembly with rubber
32	10-17249	Shield attach plate
33	10-17245	Shield for 3 shaft gearbox
34	10-17235	Chain coupler shield
35	10-19675	SD gearbox, mount, flex connector, as packed
36	10-17402	3/8" NC NYLON LOCKNUT PLTD

PTO-SD (SHAFT DRIVE): ALL W & WR100

ITEM	PART NO.	DESCRIPTION
1	10-19585	Gearbox, SD
2	10-19800	Mount, gearbox, less halfbands
3	10-19801	Halfband, tube
4	10-19587	Shield, gearbox
5	10-19627	Bracket, shield securing
6	10-19673	Sprocket, flex connector, 1-1/4" bore w/bolt hole
7	10-19559	Roller chain w/connector link
8	10-19802	Sprocket, flex connector, 1-1/4" bore
9	10-19803	Complete flex connector
10	10-19804	Transport saddle, PTO, less halfband
11	10-19648	Saddle pin, less hairpin
12	10-19463	Hairpin
13	10-19806	PTO driveline, 60" long
14	10-19537	Bolt, 1/4" - 20 x 1/2", grade 2
15	10-19541	Bolt, 3/8" - 16 x 2-3/4", grade 2
16	10-19542	Bolt, 7/16" - 14 x 1", grade 5
17	10-19549	Bolt, 1/2" - 13 x 1", grade 2
18	10-19594	Washer locknut, 1/4" - 20
19	10-19596	Washer locknut, 3/8" - 16
20	10-19598	Locknut, 7/16" - 14
21	10-19605	Lockwasher, 1/2"
22	10-19608	Setscrew, 5/16" - 18 x 3/8"
23	10-19606	Sq. key, 1/4" x 1-1/2"
24	10-19538	Bolt, 5/16" - 18 x 3/4", grade 2
25	10-19540	Bolt, 3/8" - 16 x 3/4", grade 2
26	10-19595	Washer locknut, 5/16" - 18
27	10-19274	Self-tapping screw, 1/4"-14x5/8"
28	10-19256	Shield tiedown strap
29	10-17229	Rubber flap
30	10-17230	Rubber mount strap
31	10-17232	Shield assembly with rubber
32	10-17249	Shield attach plate
33	10-17245	Shield for 3 shaft gearbox
34	10-17235	Chain coupler shield
35	10-19805	SD gearbox, mount, flex connector, as packed
36	10-17402	3/8" NC NYLON LOCKNUT PLTD

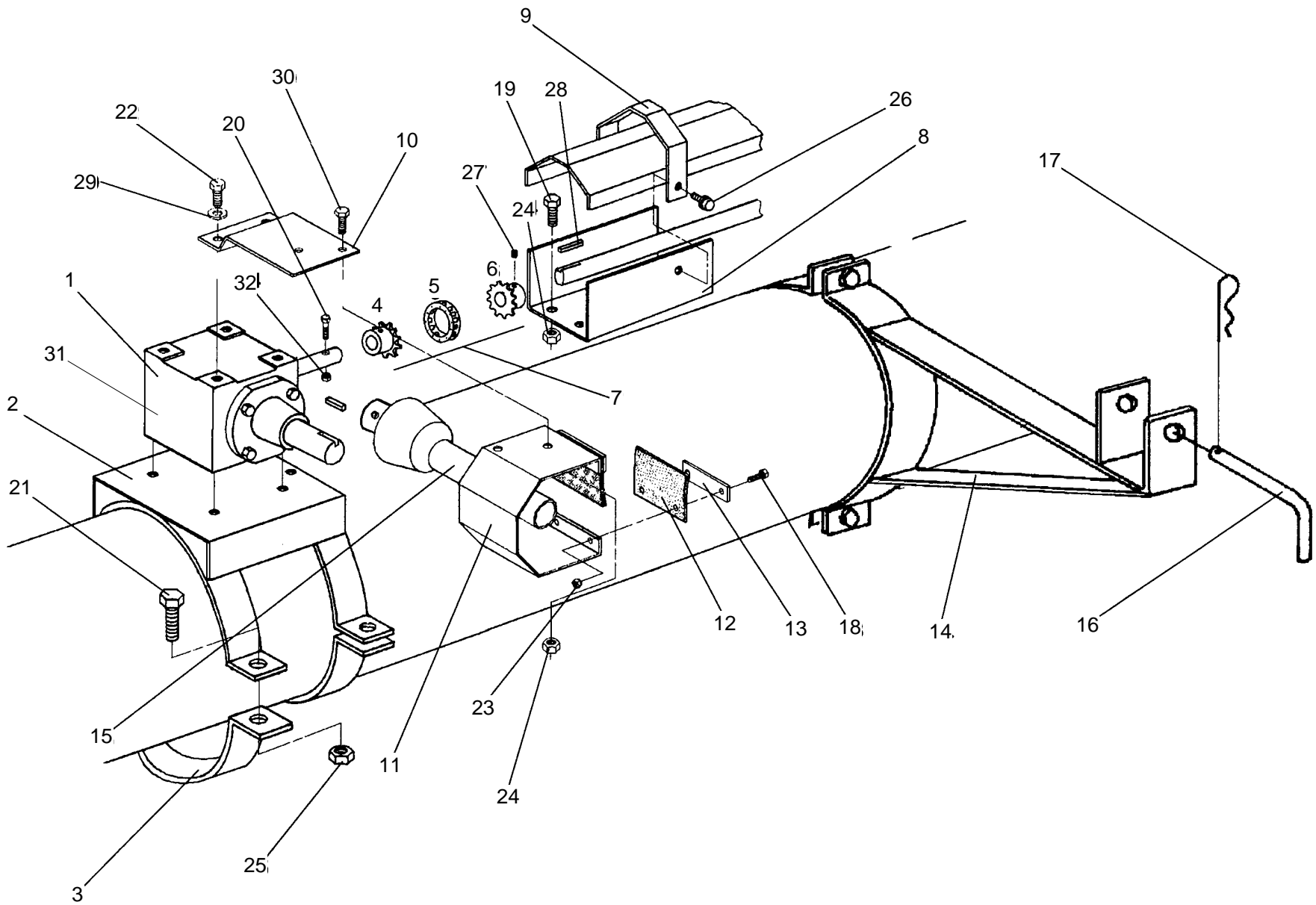
PTO-SD (SHAFT DRIVE): W130 X 31FT-41FT



PTO-SD (SHAFT DRIVE): W130 X 31FT-41FT

ITEM	PART NO.	DESCRIPTION
1	10-29676	GEARBOX
2	10-17233	Gearbox mount, less halfbands
3	10-18987	Tube halfband
4	10-19673	Flex connector sprocket, 1-1/4" bore w/bolt hole
5	10-19559	Roller chain w/connector link
6	10-19802	Flex connector sprocket, 1-1/4" bore
7	10-19803	Complete flex connector
8	10-17235	Chain coupler shield
9	10-19256	Shield tiedown strap
10	10-17249	Shield attach plate
11	10-29678	Shield assembly with rubber
12	10-17229	Rubber flap
13	10-17230	Rubber mount strap
14	10-17259	Transport saddle, less halfband
15	10-19806	PTO driveline
16	10-19648	Saddle pin, less hairpin
17	10-19463	Hairpin
18	10-19538	Bolt, 5/16" - 18 x 3/4", grade 2
20	10-17635	3/8" X 2-3/4" NC BOLT GR 8 PLTD
21	10-18698	Bolt, 7/16" - 14 x 1-1/4", grade 5
22	10-19549	Bolt, 1/2" x 1-1/4", grade 2
23	10-19595	Washer locknut, 5/16" - 18
24	10-19596	Washer locknut, 3/8" - 16
25	10-19598	Locknut, 7/16" - 14
26	10-19274	Self-tapping screw, 1/4" - 14 x 5/8"
27	10-19608	Setscrew, 5/16" - 18 x 3/8"
28	10-19606	Square key, 1/4" x 1-1/2"
29	10-19605	Lockwasher, 1/2"
30	10-19540	Bolt, 3/8" - 16 x 3/4", grade 2
31	10-29677	GEARBOX ASSEMBLY
32	10-17402	3/8" NC NYLON LOCKNUT PLTD

PTO-SD (SHAFT DRIVE): W130 X 51FT-71FT



PTO-SD (SHAFT DRIVE): W130 X 51FT-71FT

ITEM	PART NO.	DESCRIPTION
1	10-17250	Gearbox
2	10-17252	Gearbox mount, less halfbands
3	10-18987	Tube halfband
4	10-17608	Flex connector sprocket, 1-3/4" bore
5	10-17254	Roller chain w/connector link
6	10-17253	Flex connector sprocket, 1-1/2" bore
7	10-17633	Complete flex connector
8	10-17256	Chain coupler shield
9	10-19256	Shield tiedown strap
10	10-17257	Shield attach plate
11	10-17258	Shield assembly with rubber
12	10-17229	Rubber flap
13	10-17230	Rubber mount strap
14	10-17259	Transport saddle, less halfband
15	10-17260	PTO driveline
16	10-19648	Saddle pin, less hairpin
17	10-19463	Hairpin
18	10-19538	Bolt, 5/16" - 18 x 3/4", grade 2
21	10-18698	Bolt, 7/16" - 14 x 1-1/4", grade 5
22	10-17261	Bolt, 5/8" - 11 x 1", grades
23	10-19595	Washer locknut, 5/16" - 18
24	10-19596	Washer locknut, 3/8" - 16
25	10-19598	Locknut, 7/16" - 14
26	10-19274	Self-tapping screw, 1/4" - 14 x 5/8"
27	10-19225	Setscrew, 3/8" - 16 x 3/8"
28	10-17066	Square key, 3/8" x 1-3/4"
29	10-17262	Lockwasher, 5/8"
30	10-19540	Bolt, 3/8" - 16 x 3/4", grade 2



P.O. Box 39

Rosenort, Manitoba, R0G 1W0 Canada

Phone: (866) 467-7207 (Canada & USA) or (204) 746-2396

Fax: (866) 768-4852

website: www.grinaugers.com

email: sales@grinaugers.com

© Ag Growth International Inc. 2019

Printed in Canada