



TRANSPORT AUGER (W&J) TUBE/UNDER CARRIAGE

WESTFIELD

PARTS MANUAL

BOX 39, ROSENORT, MANITOBA, CANADA R0G 1W0
PHONE: (866) 467-7207 (CANADA & USA)
FAX: (866) 768-4852
WEBSITE: WWW.GRAINAUGERS.COM
EMAIL: SALES@GRAINAUGERS.COM

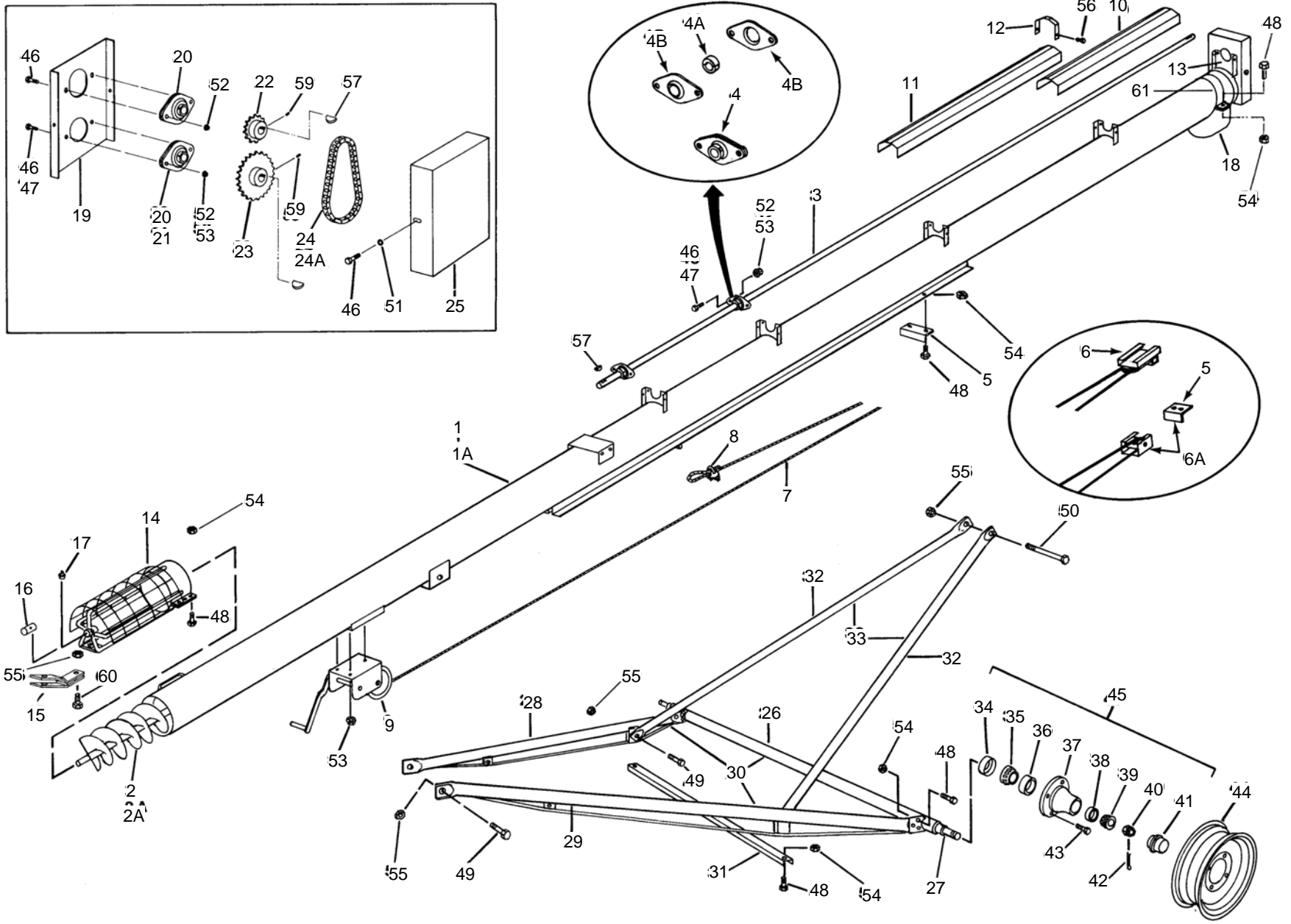


AG GROWTH INTERNATIONAL

REVISED: 01/06/2015

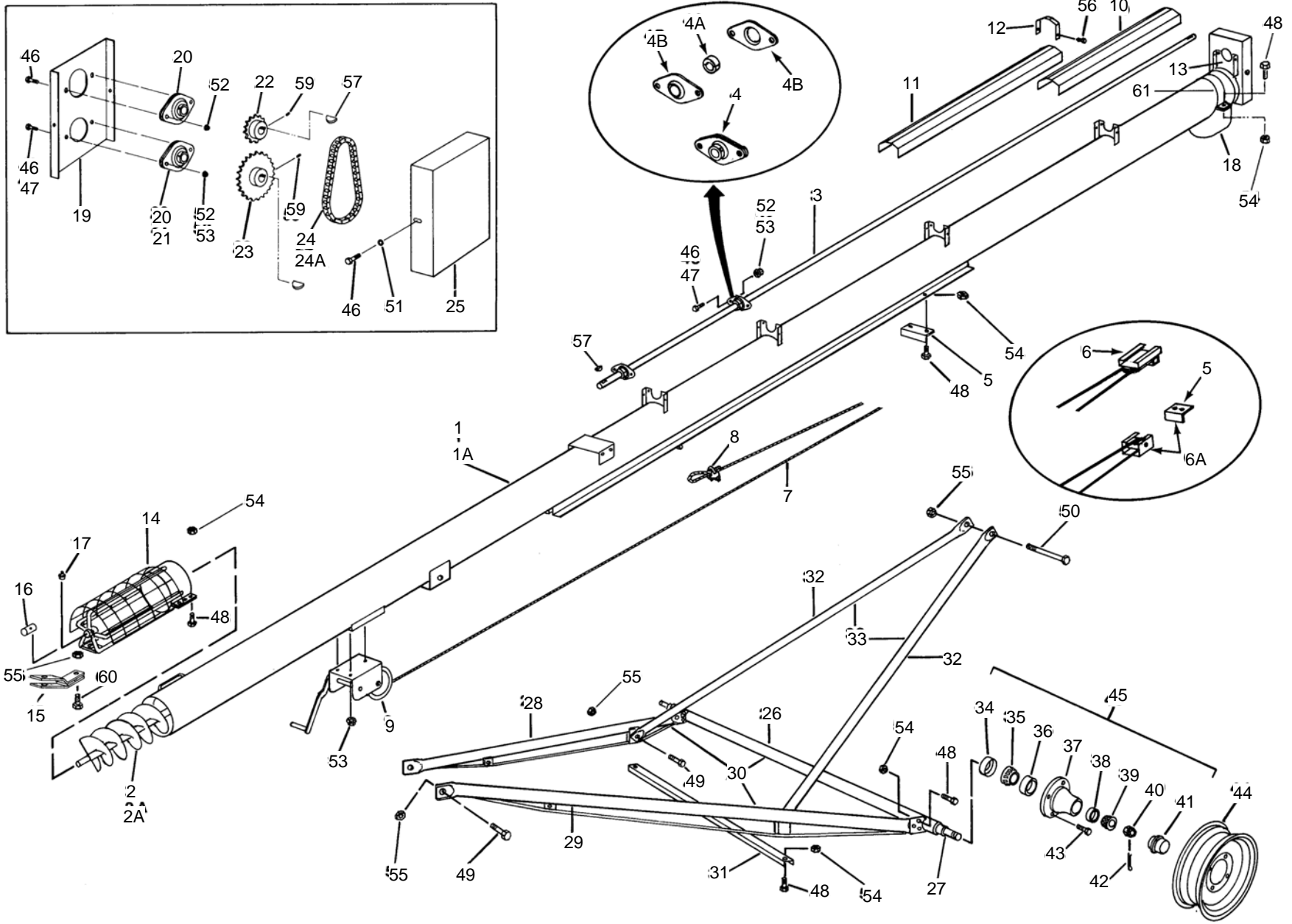
TABLE OF CONTENTS

DESCRIPTION	PAGE
W60-26_AUGER	4
W70-26_AUGER	8
W80-26_AUGER	12
W60-31_BASIC AUGER	16
W70-31_BASIC AUGER	20
W80-31_BASIC AUGER	24
W60-36_BASIC AUGER	28
W70-36_BASIC AUGER	32
W80-36_BASIC AUGER	36
W60-41_BASIC_AUGER	40
W70-41_BASIC_AUGER	44
W80-41_BASIC_AUGER	48
W70-46_BASIC_AUGER	52
W80-46_BASIC_AUGER	56
W60-51_BASIC_AUGER	60
W70-51_BASIC_AUGER	64
W80-51_BASIC_AUGER	68
W80-56_BASIC_AUGER	72
W60-61_BASIC_AUGER	76
W80-61_BASIC_AUGER	80
W80-71_BASIC_AUGER	84
W100-31_BASIC_AUGER	88
W100-41_BASIC_AUGER	92
W100-51_BASIC_AUGER	96
W100-61_BASIC_AUGER	100
W100-71_BASIC_AUGER	104
J206-31_BASIC_AUGER	108
J207-31_BASIC_AUGER	112
J208-31_BASIC_AUGER	116
J210-31_BASIC_AUGER	120
J206-36_BASIC_AUGER	124
J207-36_BASIC_AUGER	128
J208-36_BASIC_AUGER	132
J210-36_BASIC_AUGER	136
J206-41_BASIC_AUGER	140
J207-41_BASIC_AUGER	144
J208-41_BASIC_AUGER	148
J210-41_BASIC_AUGER	152
J207-46_BASIC_AUGER	156
J208-46_BASIC_AUGER	160
J207-51_BASIC_AUGER	166
J208-51_BASIC_AUGER	170
J SERIES DRIVE COMPONENTS	174



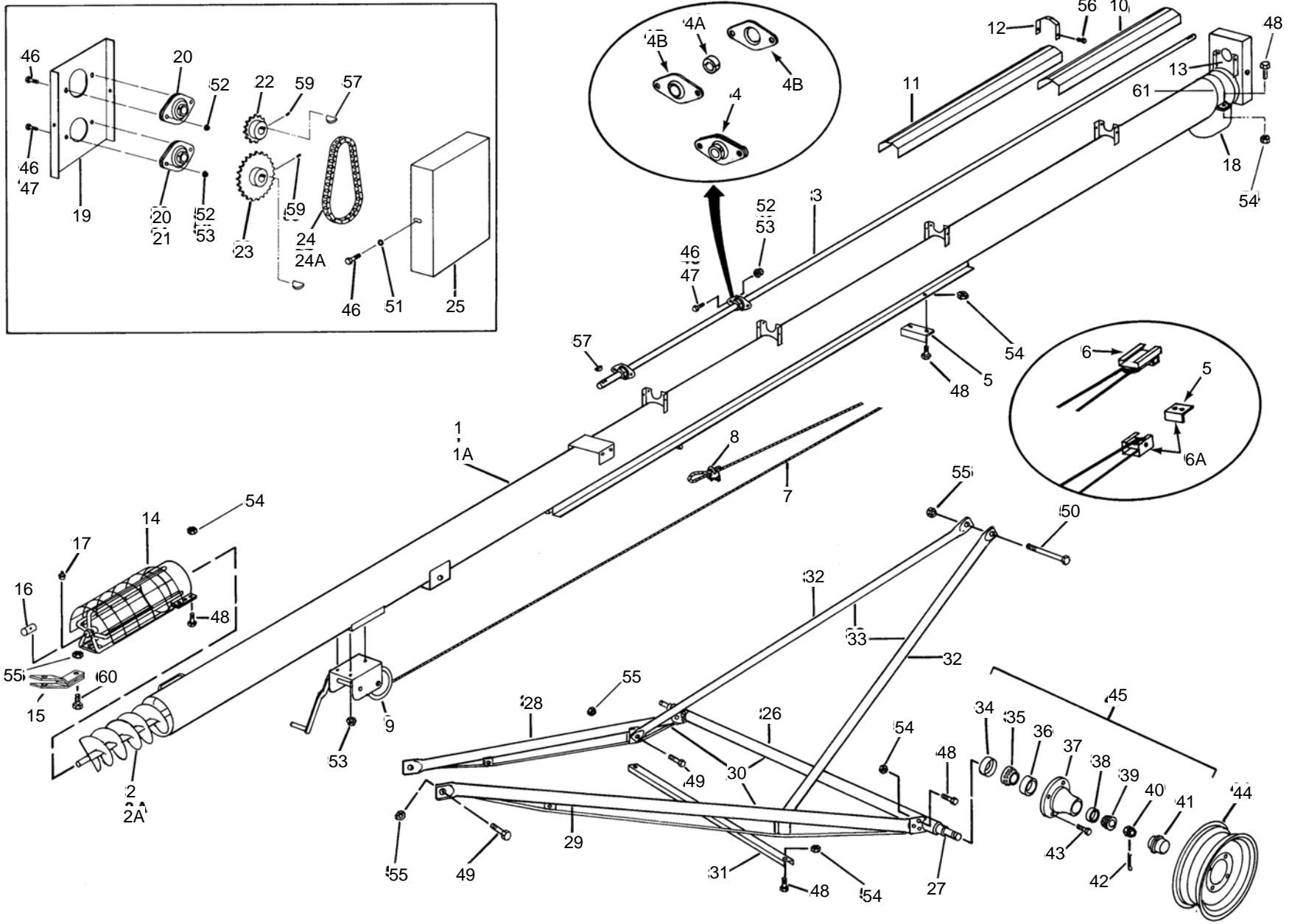
W60-26_AUGER

ITEM	PART NO.	DESCRIPTION
1	10-19028	Tube section, w/driveshaft, housing track
1A	10-19054	Tube bundle, as shipped
2	10-19005	Flight section
2A	10-19083	24" Weld-on crimped intake flight
3	10-19086	Driveshaft, 14' 4" long
4A	10-18692	1" split hardwood bearing, set of 2 halves
4B	10-18694	1" bearing flange, single, 2 bolt
4	10-19243	1" ball bearing w/set screws, flanges
5	10-18762	Angle track stop only
6A	10-17071	Roller track shoe (REPLACES #19137)
6	10-19137	Slider track shoe (N/A replaced by 17071)
7	10-19245	1/4" Cable, 21' long
8	10-19147	1/4" Cable clamp (Not Shown)
9	10-19151	Winch, 4:1 ratio
10	10-19254	Driveshaft shield, 42" long
11	10-19255	Driveshaft shield, 48" long
12	10-19256	Shield tie-down strap
13	10-19257	Upper shield attach bracket
14	10-19019	Intake hitch w/shield, bushing, grease fitting
15	10-19442	Clevis, less bolt
16	10-19149	1" Bushing
17	10-19222	Press-in grease fitting
18	10-17070	Strap-on outlet spout
19	10-19313	Upper drive housing
20	10-19321	1" Flangette bearing
22	10-19131	Upper sprocket, 14 tooth
23	10-19132	Lower sprocket, 25 tooth
24	10-19015	Roller chain w/connector
24A	10-19134	Roller chain connector only
25	10-19317	Housing cover
26	10-19335	Axle w/spindles, nuts, cotter pins
27	10-19262	Spindle, weld-on
28	10-19344	Lower reach tube, left
29	10-19345	Lower reach tube, right
30	10-19362	Lower reach frame bundle, as shipped
31	10-19371	crossmember
32	10-19380	Upper lift tube, left or right
33	10-19526	Upper lift bundle, as shipped, includes ref. #31
34	10-19264	Seal
35	10-19265	Large bearing, Timken #LM 67048
36	10-19266	Large cup, Timken #LM 67010
37	10-19267	Hub w/cups
38	10-19268	Small cup, Timken #LM 11910
39	10-19269	Small bearing, Timken #LM 11949
40	10-19270	Slotted nut, 3/4" - 16
41	10-19272	Dust cap
42	10-19271	Cotter pin, 1/8" x 1-1/2"
43	10-19273	Wheel bolt, 1/2" - 20
44	10-19261	15" Wheel, 4 bolt
45	10-19467	Hub assembly, complete



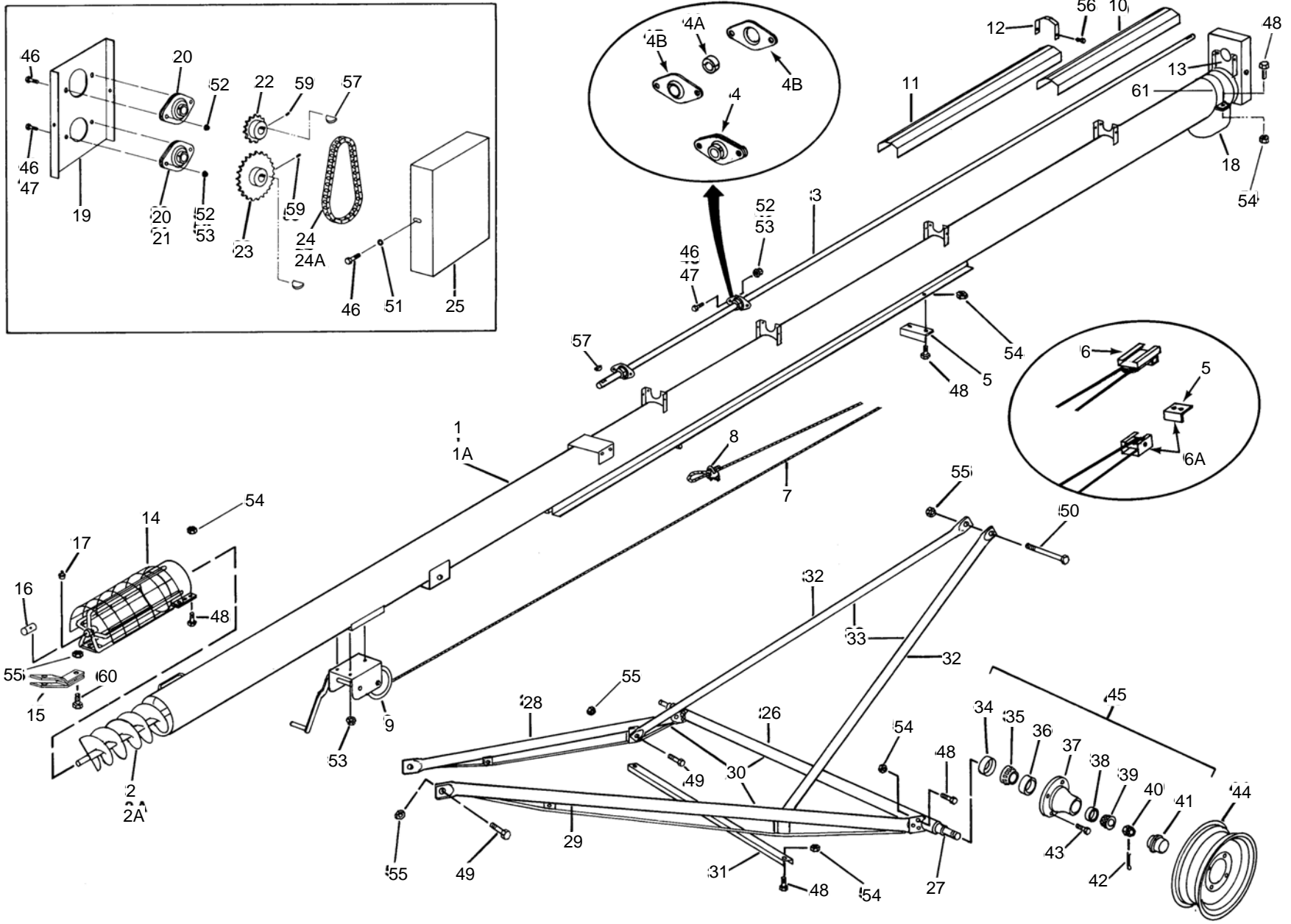
W60-26_AUGER

ITEM	PART NO.	DESCRIPTION
46	10-19538	Bolt, 5/16" - 18 x 3/4", grade 2
48	10-19542	Bolt, 7/16" - 14 x 1", grade 5
49	10-19590	Bolt, 5/8" - 11 x 1-1/2", grade 5
50	10-19591	Bolt, 5/8" - 11 x 6-1/2", grade 5
51	10-19603	Lockwasher, 5/16"
52	10-19595	Washer locknut, 5/16" - 18
53	10-19596	Washer locknut, 3/8" - 16
54	10-19598	Locknut, 7/16" - 14
55	10-19600	Locknut, 5/8" - 11
56	10-19274	self-tapping screw #14 x 5/8", w/washer head
57	10-19224	Woodruff key, 1/4" x 1
58	10-19608	SET SCREW, 5-16" - 18 X 3/8"
59	10-19225	Set screw, 3/8" - 16 x 3/8"
60	10-19991	Bolt, 5/8" - 11 x 2", grade 5
61	10-19022	Tube halfband
63	10-19676	Basic carton



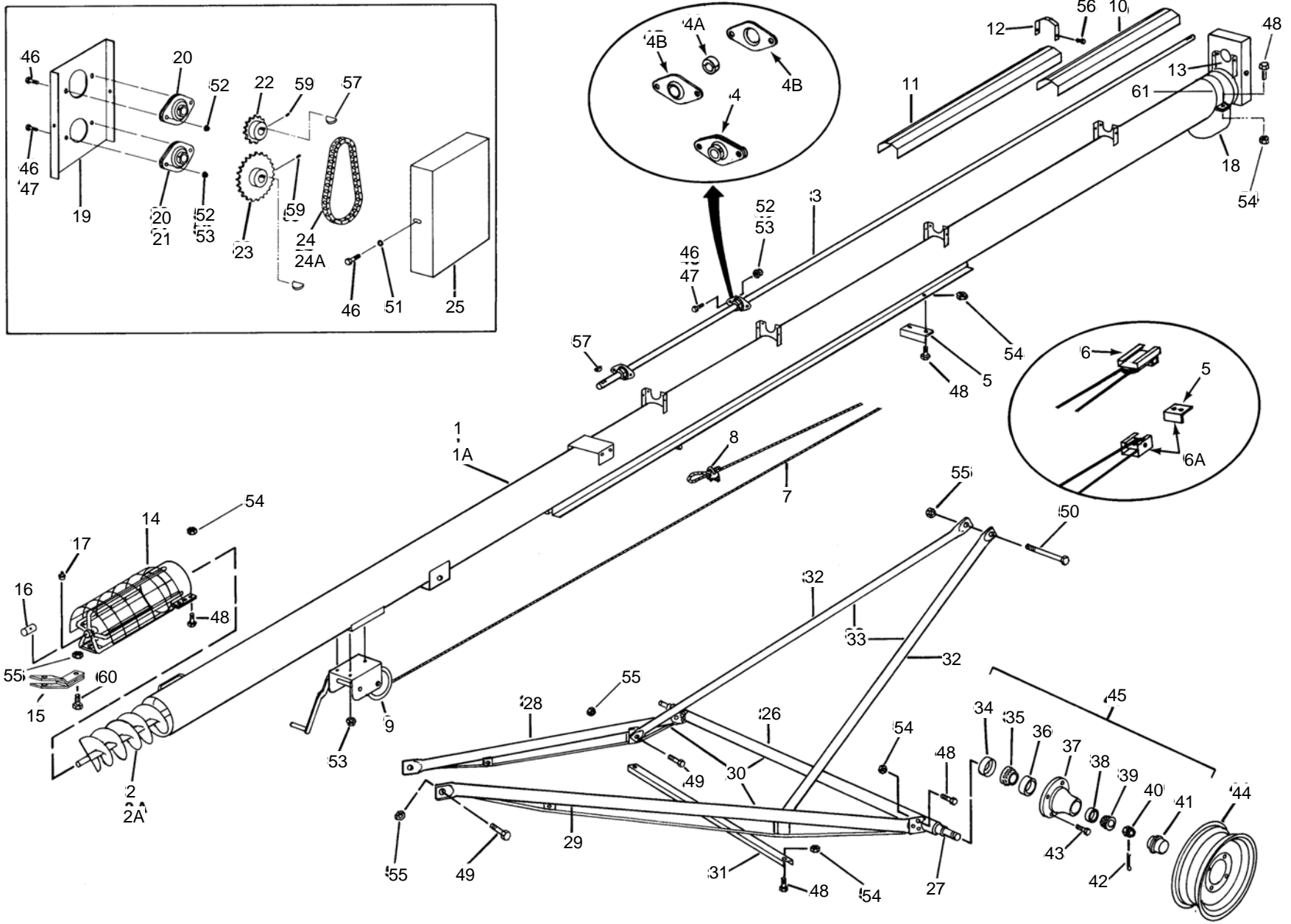
W70-26_AUGER

ITEM	PART NO.	DESCRIPTION
1	10-19029	Tube section, w/driveshaft, housing track
1A	10-19055	Tube bundle, as shipped
2A	10-19084	24" Weld-on crimped intake flight
2	10-19099	Flight section
3	10-19086	Driveshaft, 14' 4" long
4A	10-18692	1" split hardwood bearing, set of 2 halves
4B	10-18694	1" bearing flange, single, 2 bolt
4	10-19243	1" ball bearing w/set screws, flanges
5	10-18762	Angle track stop only
6A	10-17071	Roller track shoe (REPLACES #19137)
6	10-19137	Slider track shoe (N/A replaced by 17071)
7	10-19245	1/4" Cable, 21' long
8	10-19147	1/4" Cable clamp (Not Shown)
9	10-19151	Winch, 4:1 ratio
10	10-19254	Driveshaft shield, 42" long
11	10-19255	Driveshaft shield, 48" long
12	10-19256	Shield tie-down strap
13	10-19257	Upper shield attach bracket
14	10-19192	Intake hitch w/shield, bushing, grease fitting
15	10-19442	Clevis, less bolt
16	10-19149	1" Bushing
17	10-19222	Press-in grease fitting
18	10-19193	Strap-on outlet spout
19	10-19314	Upper drive housing
20	10-19321	1" Flangette bearing
22	10-19131	Upper sprocket, 14 tooth
23	10-19132	Lower sprocket, 25 tooth
24	10-19133	Roller chain w/connector
24A	10-19134	Roller chain connector only
25	10-19318	Housing cover
26	10-19335	Axle w/spindles, nuts, cotter pins
27	10-19262	Spindle, weld-on
28	10-19344	Lower reach tube, left
29	10-19345	Lower reach tube, right
30	10-19362	Lower reach frame bundle, as shipped
31	10-19371	crossmember
32	10-19380	Upper lift tube, left or right
33	10-19526	Upper lift bundle, as shipped, includes ref. #31
34	10-19264	Seal
35	10-19265	Large bearing, Timken #LM 67048
36	10-19266	Large cup, Timken #LM 67010
37	10-19267	Hub w/cups
38	10-19268	Small cup, Timken #LM 11910
39	10-19269	Small bearing, Timken #LM 11949
40	10-19270	Slotted nut, 3/4" - 16
41	10-19272	Dust cap
42	10-19271	Cotter pin, 1/8" x 1-1/2"
43	10-19273	Wheel bolt, 1/2" - 20
44	10-19261	15" Wheel, 4 bolt
45	10-19467	Hub assembly, complete



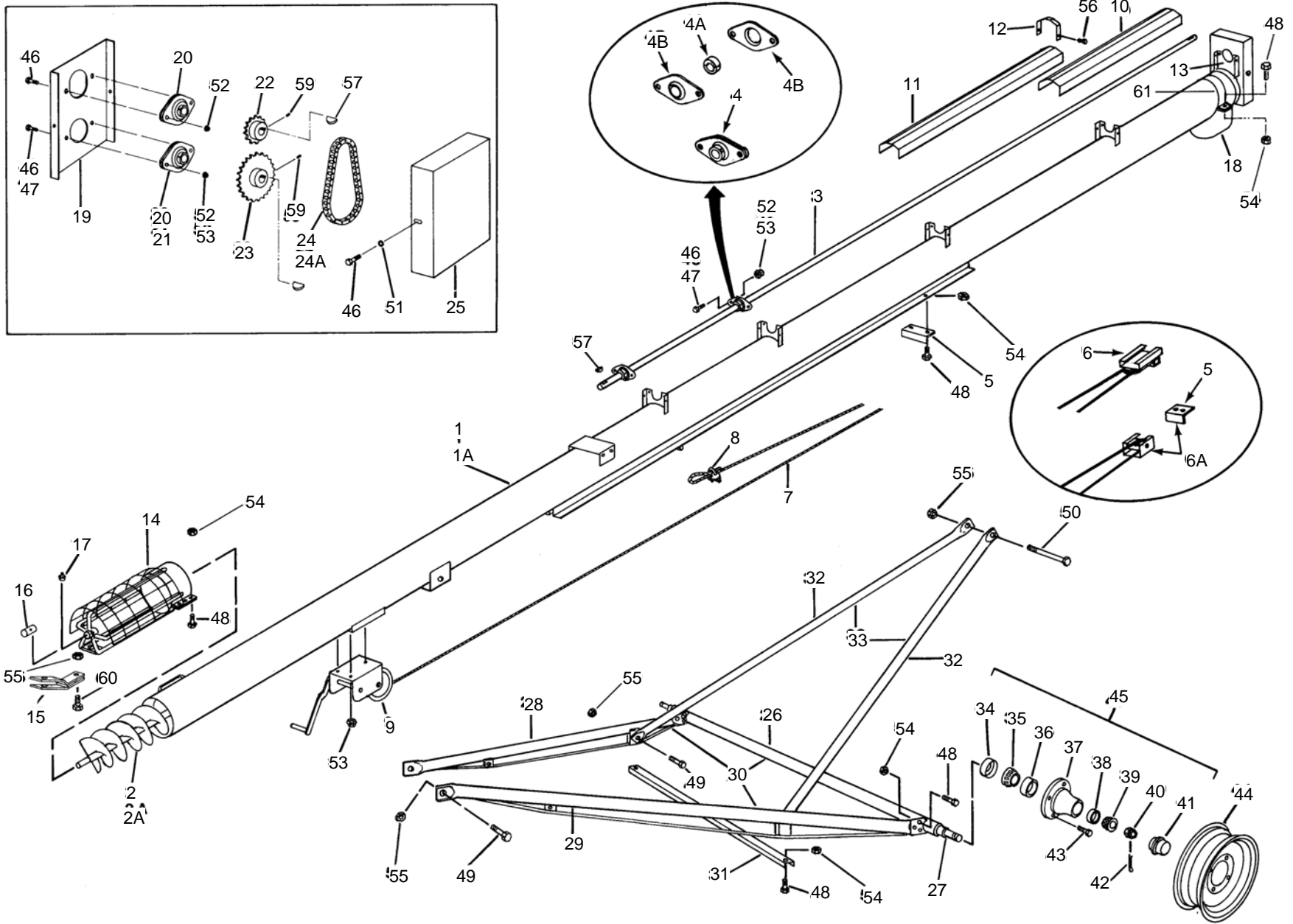
W70-26_AUGER

ITEM	PART NO.	DESCRIPTION
46	10-19538	Bolt, 5/16" - 18 x 3/4", grade 2
48	10-19542	Bolt, 7/16" - 14 x 1", grade 5
49	10-19590	Bolt, 5/8" - 11 x 1-1/2", grade 5
50	10-19591	Bolt, 5/8" - 11 x 6-1/2", grade 5
51	10-19603	Lockwasher, 5/16"
52	10-19595	Washer locknut, 5/16" - 18
53	10-19596	Washer locknut, 3/8" - 16
54	10-19598	Locknut, 7/16" - 14
55	10-19600	Locknut, 5/8" - 11
56	10-19274	self-tapping screw #14 x 5/8", w/washer head
57	10-19224	Woodruff key, 1/4" x 1
58	10-19608	SET SCREW, 5-16" - 18 X 3/8"
59	10-19225	Set screw, 3/8" - 16 x 3/8"
60	10-19991	Bolt, 5/8" - 11 x 2", grade 5
61	10-19199	Tube halfband
63	10-19676	Basic carton



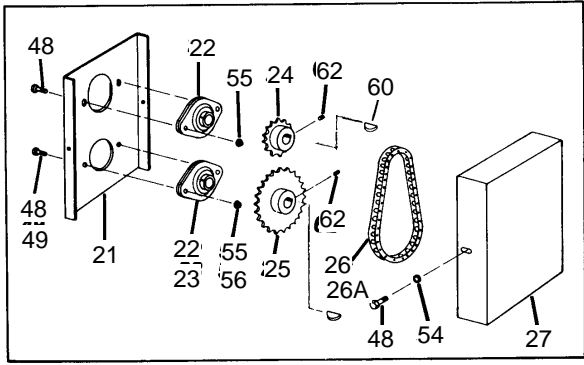
W80-26_AUGER

ITEM	PART NO.	DESCRIPTION
1	10-19030	Tube section, w/driveshaft, housing track
1A	10-19056	Tube bundle, as shipped
2A	10-19085	20" Weld-on crimped intake flight
2	10-19389	Flight section
3	10-19087	Driveshaft, 14' 4-1/2" long
4A	10-18693	1-1/4" split hardwood bearing, set of 2 halves
4B	10-18695	1-1/4" bearing flange, single, 2 bolt
4	10-19244	1-1/4" ball bearing w/set screws, flanges
5	10-18762	Angle track stop only
6A	10-17071	Roller track shoe (REPLACES #19137)
6	10-19137	Slider track shoe (N/A replaced by 17071)
7	10-19245	1/4" Cable, 21' long
8	10-19147	1/4" Cable clamp (Not Shown)
9	10-19151	Winch, 4:1 ratio
10	10-19254	Driveshaft shield, 42" long
11	10-19255	Driveshaft shield, 48" long
12	10-19256	Shield tie-down strap
13	10-19257	Upper shield attach bracket
14	10-19398	Intake hitch w/shield, bushing, grease fitting
15	10-19442	Clevis, less bolt
16	10-19149	1" Bushing
17	10-19222	Press-in grease fitting
18	10-19411	Strap-on outlet spout
19	10-19315	Upper drive housing
20	10-19321	1" Flangette bearing
21	10-19322	1-1/4" Flangette bearing
22	10-19430	Upper sprocket, 14 tooth
23	10-19431	Lower sprocket, 25 tooth
24	10-19432	Roller chain w/connector
24A	10-19433	Roller chain connector only
25	10-19319	Housing cover
26	10-19335	Axle w/spindles, nuts, cotter pins
27	10-19262	Spindle, weld-on
28	10-19344	Lower reach tube, left
29	10-19345	Lower reach tube, right
30	10-19362	Lower reach frame bundle, as shipped
31	10-19371	crossmember
32	10-19380	Upper lift tube, left or right
33	10-19526	Upper lift bundle, as shipped, includes ref. #31
34	10-19264	Seal
35	10-19265	Large bearing, Timken #LM 67048
36	10-19266	Large cup, Timken #LM 67010
37	10-19267	Hub w/cups
38	10-19268	Small cup, Timken #LM 11910
39	10-19269	Small bearing, Timken #LM 11949
40	10-19270	Slotted nut, 3/4" - 16
41	10-19272	Dust cap
42	10-19271	Cotter pin, 1/8" x 1-1/2"
43	10-19273	Wheel bolt, 1/2" - 20
44	10-19261	15" Wheel, 4 bolt

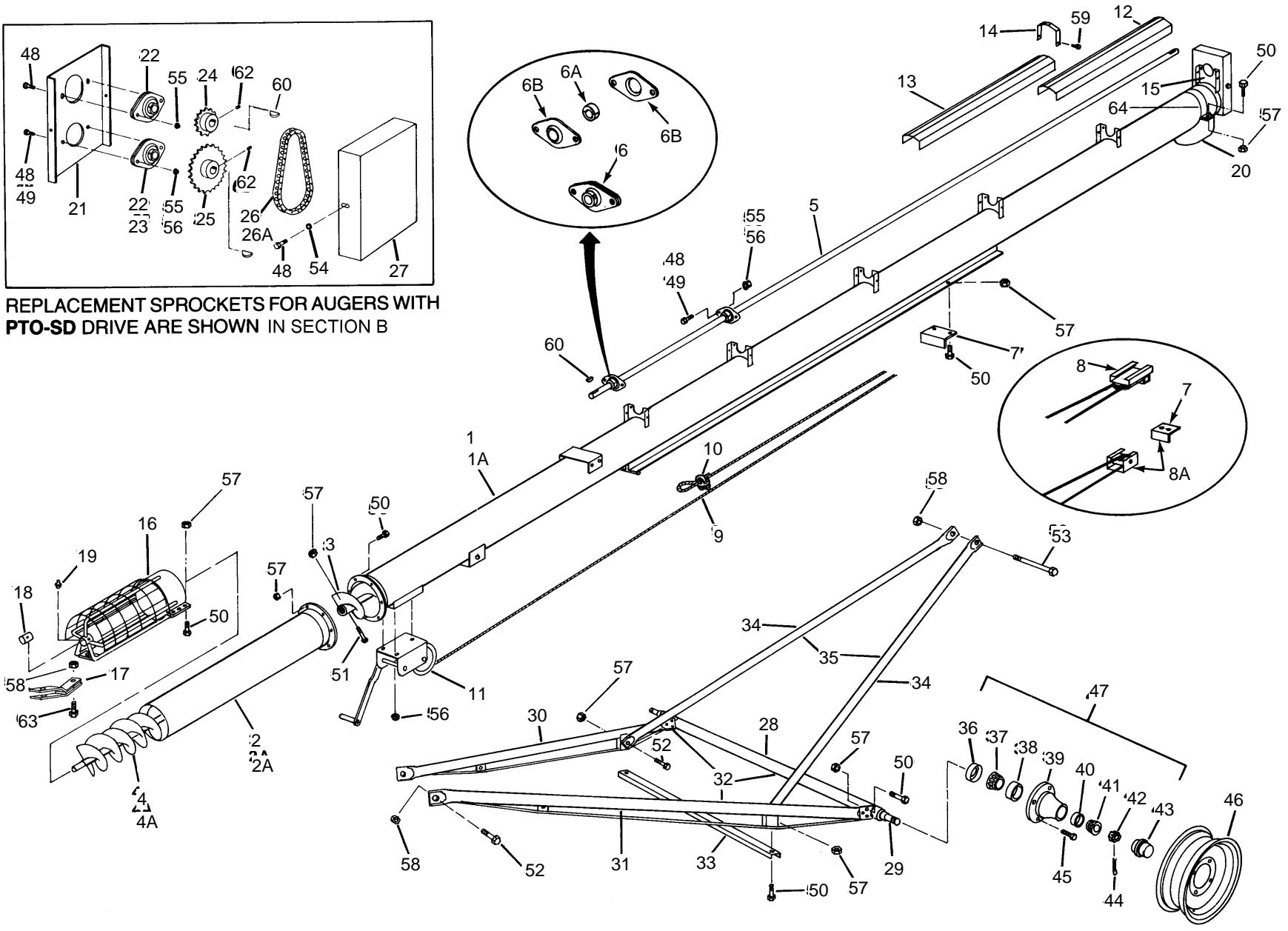


W80-26_AUGER

ITEM	PART NO.	DESCRIPTION
45	10-19467	Hub assembly, complete
46	10-19538	Bolt, 5/16" - 18 x 3/4", grade 2
47	10-19540	Bolt, 3/8" - 16 x 3/4", grade 2
48	10-19542	Bolt, 7/16" - 14 x 1", grade 5
49	10-19590	Bolt, 5/8" - 11 x 1-1/2", grade 5
50	10-19591	Bolt, 5/8" - 11 x 6-1/2", grade 5
51	10-19603	Lockwasher, 5/16"
52	10-19595	Washer locknut, 5/16" - 18
53	10-19596	Washer locknut, 3/8" - 16
54	10-19598	Locknut, 7/16" - 14
55	10-19600	Locknut, 5/8" - 11
56	10-19274	self-tapping screw #14 x 5/8", w/washer head
57	10-19224	Woodruff key, 1/4" x 1
58	10-19608	SET SCREW, 5-16" - 18 X 3/8"
59	10-19225	Set screw, 3/8" - 16 x 3/8"
60	10-19991	Bolt, 5/8" - 11 x 2", grade 5
61	10-19460	Tube halfband
63	10-19682	Basic carton

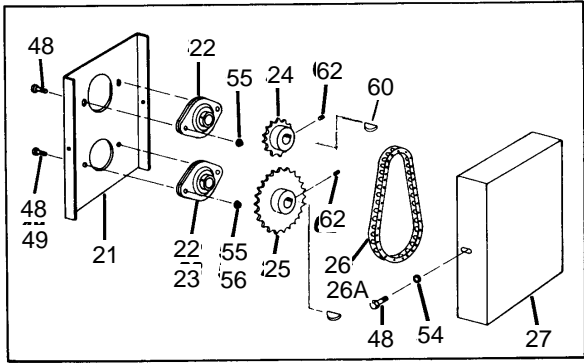


REPLACEMENT SPROCKETS FOR AUGERS WITH PTO-SD DRIVE ARE SHOWN IN SECTION B

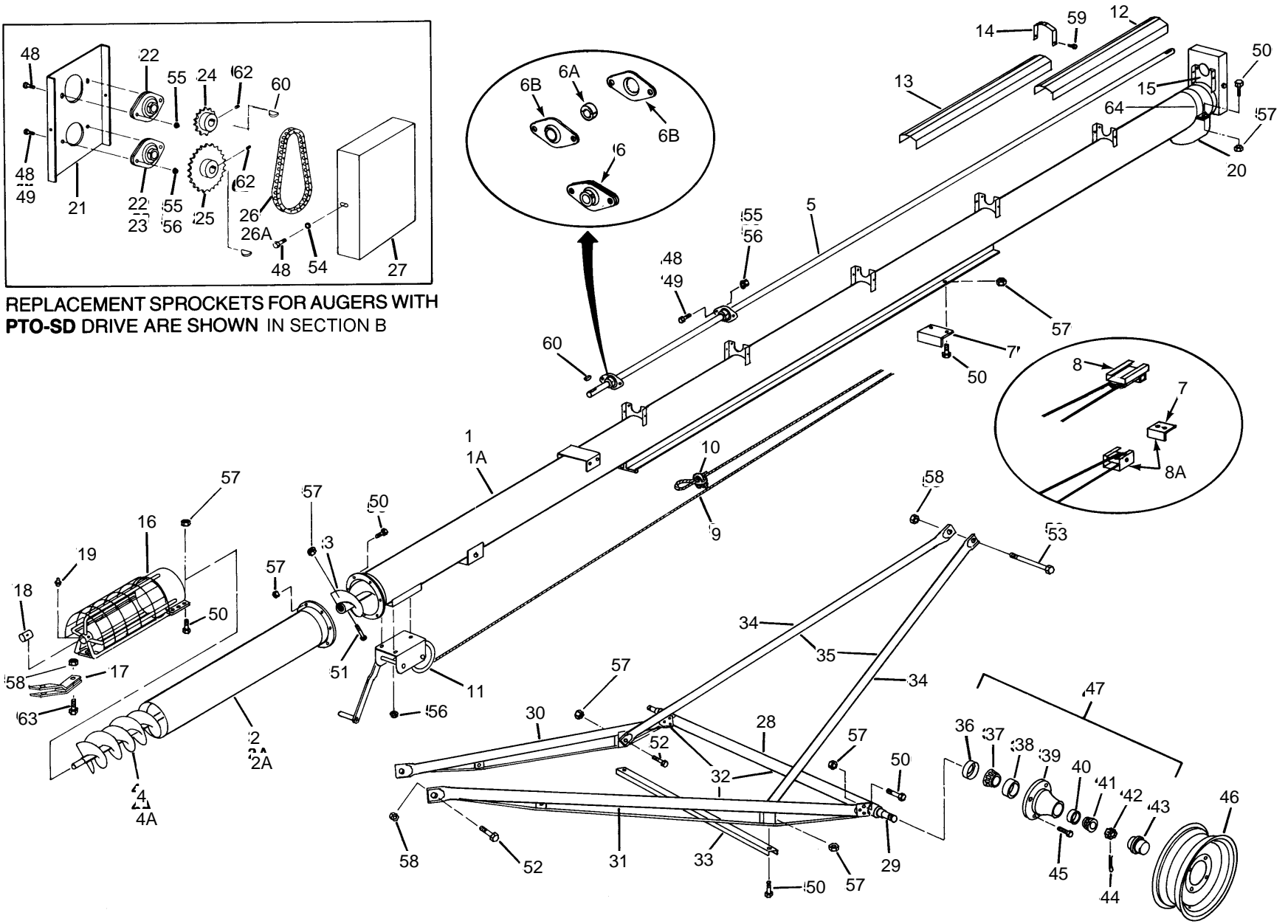


W60-31_BASIC AUGER

ITEM	PART NO.	DESCRIPTION
1	10-19031	Upper tube section w/driveshaft, housing, track
1A	10-19057	Upper tube bundle, as shipped
2	10-19007	Lower tube section
2A	10-19060	Lower tube bundle, as shipped
3	10-19006	Upper flight section
4	10-19010	Lower flight section
4A	10-19083	24" Weld-on crimped intake flight
5	10-19203	Driveshaft, 18' 5-3/4" long
6A	10-18692	1" split hardwood bearing, set of 2 halves
6B	10-18694	1" bearing flange, single, 2 bolt
6	10-19243	1" ball bearing w/set screws, flanges
7	10-18762	Angle track stop only
8A	10-17071	Roller track shoe (replaces #19137)
8	10-19137	Slider track shoe (N/A replaced by 17071)
9	10-19246	1/4" cable, 24' long
10	10-19147	1/4" cable clamp
11	10-19151	Winch, 4:1 ratio
12	10-19254	Driveshaft shield, 42" long
13	10-19255	Driveshaft shield, 48" long
14	10-19256	Shield tie-down strap
15	10-19257	Upper shield attach bracket
16	10-19019	Intake hitch w/shield, bushing, grease fittings
17	10-19442	Clevis, less bolt
18	10-19149	1" Bushing
19	10-19222	Press-in grease fitting
20	10-17070	Strap-on outlet spout
21	10-19313	Upper drive housing
22	10-19321	1" Flangette bearing
24	10-19131	Upper sprocket, 14 tooth
25	10-19132	Lower sprocket, 25 tooth
26	10-19015	Roller chain w/connector
26A	10-19134	Roller chain connector only
27	10-19317	Housing cover
28	10-19336	Axle w/spindles, nuts, cotter pins
29	10-19262	Spindle, weld-on
30	10-19346	Lower reach tube, left
31	10-19347	Lower reach tube, right
32	10-19363	Lower reach frame bundle, as shipped
33	10-19372	crossmember
34	10-19381	Upper lift tube, left or right
35	10-19527	Upper lift bundle, as shipped, includes Ref. #33
36	10-19264	Seal
37	10-19265	Large bearing, Timken #LM 67048
38	10-19266	Large cup, Timken #LM 67010
39	10-19267	Hub w/cups
40	10-19268	Small cup, Timken #LM 11910
41	10-19269	Small bearing, Timken #LM 11949
42	10-19270	Slotted nut, 3/4" - 16
43	10-19272	Dust cap
44	10-19271	1/8" x 1-1/2" Cotter pin

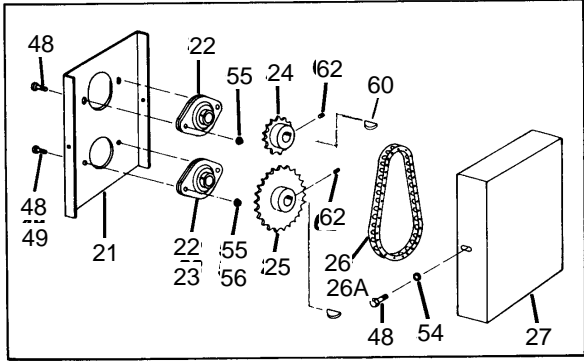


REPLACEMENT SPROCKETS FOR AUGERS WITH PTO-SD DRIVE ARE SHOWN IN SECTION B

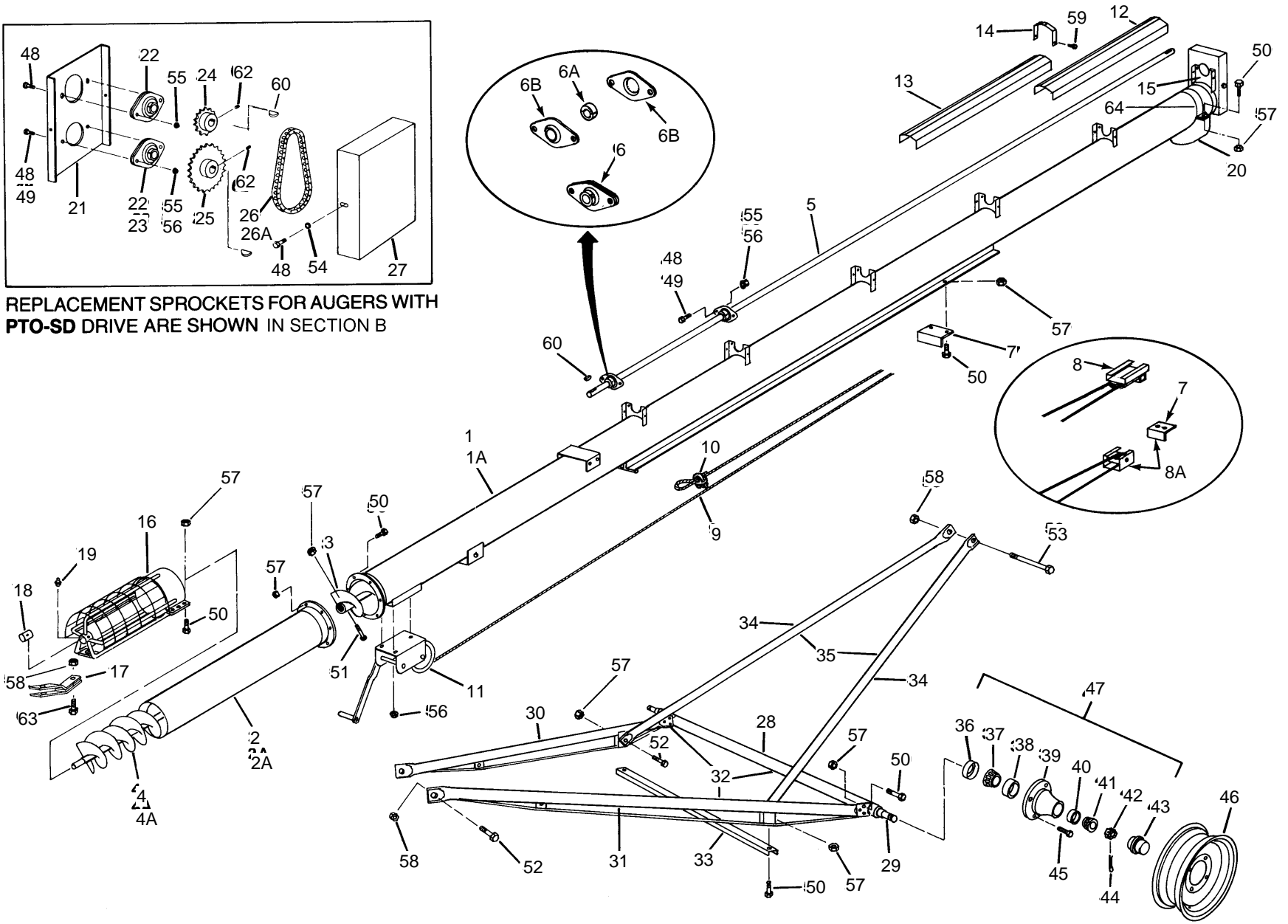


W60-31_BASIC AUGER

ITEM	PART NO.	DESCRIPTION
45	10-19273	Wheel bolt, 1/2" - 20 x 1"
46	10-19261	15" Wheel, 4 bolt
47	10-19467	Hub assembly, complete
48	10-19538	Bolt, 5/16" - 18 x 3/4", grade 2
50	10-19542	Bolt, 7/16" - 14 x 1", grade 5
52	10-19590	Bolt, 5/8" - 11 x 1-1/2", grade 5
53	10-19591	Bolt, 5/8" - 11 x 6-1/2", grade 5
54	10-19603	Lockwasher, 5/16"
55	10-19595	Washer locknut, 5/16" - 18
56	10-19596	Washer locknut, 3/8" - 16
57	10-19598	Locknut, 7/16" - 14
58	10-19600	Locknut, 5/8" - 11
59	10-19274	Self-tapping screw #14 x 5/8", w/washerhead
60	10-19224	Woodruff key, 1/4" x 1"
61	10-19608	sET SCREW, 5/16" - 18 X 3/8"
62	10-19225	Setscrew, 3/8" - 16 x 3/8"
63	10-19991	Bolt, 5/8" - 11 x 2", grade 5
64	10-19022	Tube halfband
65	10-19677	Basic carton

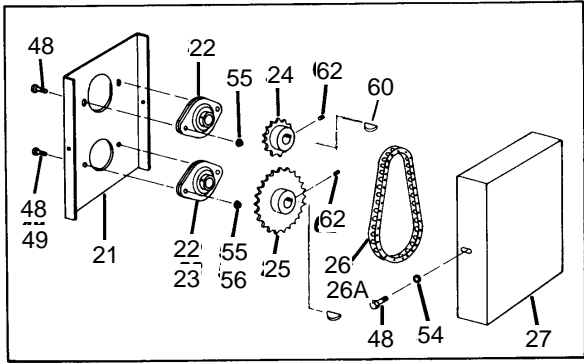


REPLACEMENT SPROCKETS FOR AUGERS WITH PTO-SD DRIVE ARE SHOWN IN SECTION B

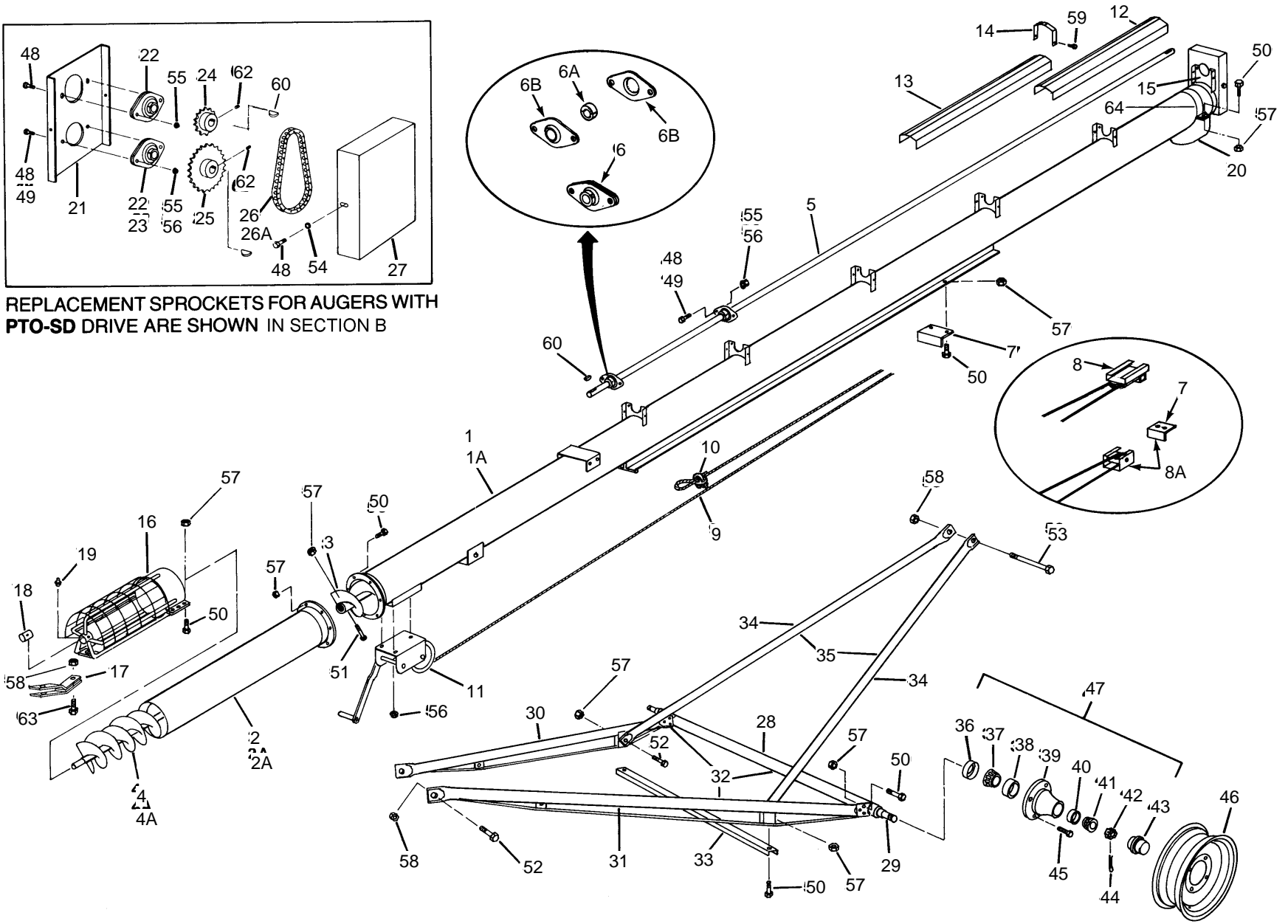


W70-31_BASIC AUGER

ITEM	PART NO.	DESCRIPTION
1	10-19032	Upper tube section w/driveshaft, housing, track
1A	10-19058	Upper tube bundle, as shipped
2A	10-19061	Lower tube bundle, as shipped
2	10-19106	Lower tube section
3	10-19105	Upper flight section
4A	10-19084	24" Weld-on crimped intake flight
4	10-19111	Lower flight section
5	10-19203	Driveshaft, 18' 5-3/4" long
6A	10-18692	1" split hardwood bearing, set of 2 halves
6B	10-18694	1" bearing flange, single, 2 bolt
6	10-19243	1" ball bearing w/set screws, flanges
7	10-18762	Angle track stop only
8A	10-17071	Roller track shoe (replaces #19137)
8	10-19137	Slider track shoe (N/A replaced by 17071)
9	10-19246	1/4" cable, 24' long
10	10-19147	1/4" cable clamp
11	10-19151	Winch, 4:1 ratio
12	10-19254	Driveshaft shield, 42" long
13	10-19255	Driveshaft shield, 48" long
14	10-19256	Shield tie-down strap
15	10-19257	Upper shield attach bracket
16	10-19192	Intake hitch w/shield, bushing, grease fittings
17	10-19442	Clevis, less bolt
18	10-19149	1" Bushing
19	10-19222	Press-in grease fitting
20	10-19193	Strap-on outlet spout
21	10-19314	Upper drive housing
22	10-19321	1" Flangette bearing
24	10-19131	Upper sprocket, 14 tooth
25	10-19132	Lower sprocket, 25 tooth
26	10-19133	Roller chain w/connector
26A	10-19134	Roller chain connector only
27	10-19318	Housing cover
28	10-19336	Axle w/spindles, nuts, cotter pins
29	10-19262	Spindle, weld-on
30	10-19346	Lower reach tube, left
31	10-19347	Lower reach tube, right
32	10-19363	Lower reach frame bundle, as shipped
33	10-19372	crossmember
34	10-19381	Upper lift tube, left or right
35	10-19527	Upper lift bundle, as shipped, includes Ref. #33
36	10-19264	Seal
37	10-19265	Large bearing, Timken #LM 67048
38	10-19266	Large cup, Timken #LM 67010
39	10-19267	Hub w/cups
40	10-19268	Small cup, Timken #LM 11910
41	10-19269	Small bearing, Timken #LM 11949
42	10-19270	Slotted nut, 3/4" - 16
43	10-19272	Dust cap
44	10-19271	1/8" x 1-1/2" Cotter pin

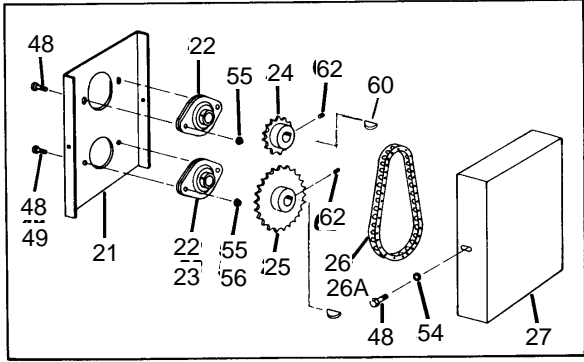


REPLACEMENT SPROCKETS FOR AUGERS WITH PTO-SD DRIVE ARE SHOWN IN SECTION B

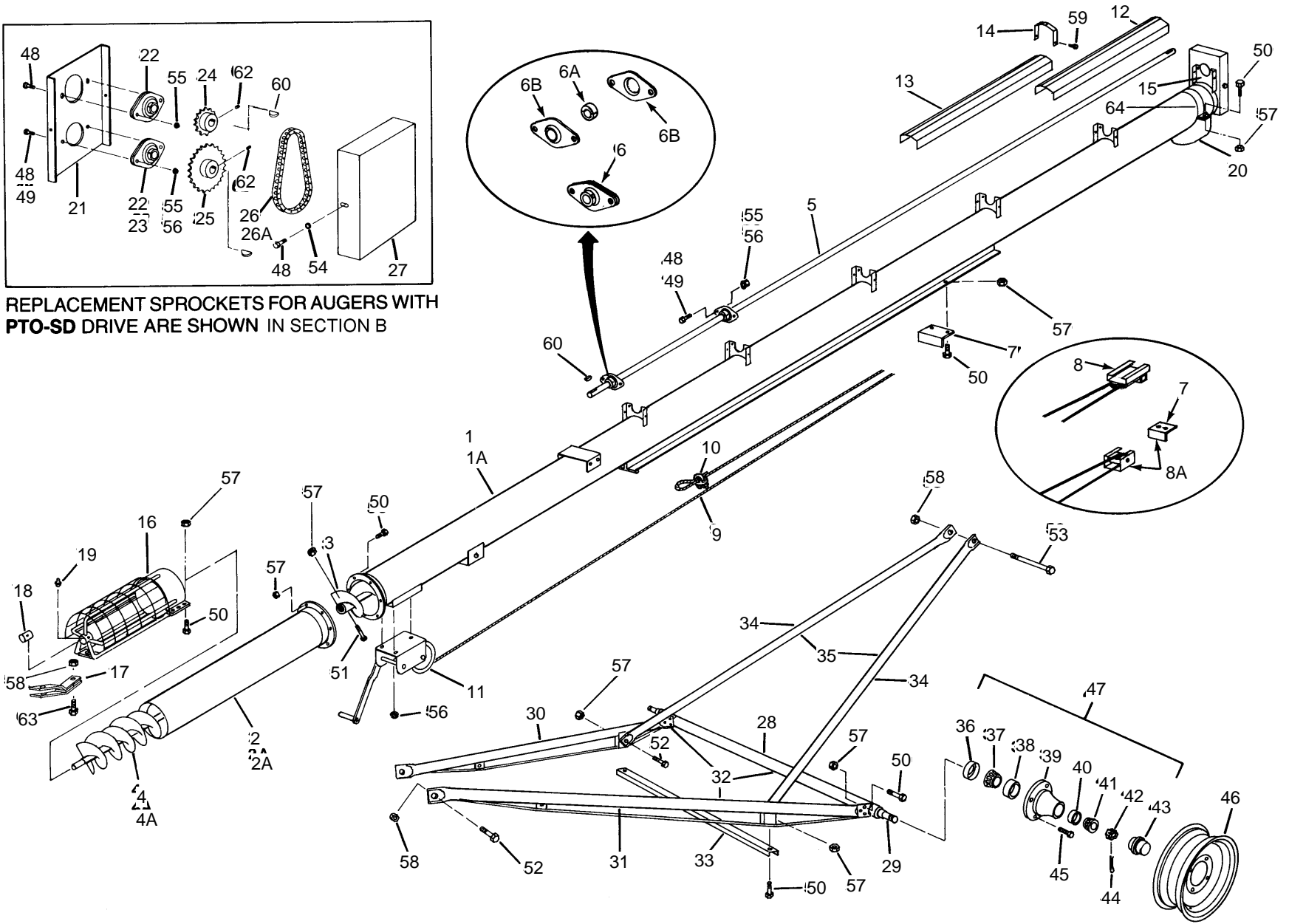


W70-31_BASIC AUGER

ITEM	PART NO.	DESCRIPTION
45	10-19273	Wheel bolt, 1/2" - 20 x 1"
46	10-19261	15" Wheel, 4 bolt
47	10-19467	Hub assembly, complete
48	10-19538	Bolt, 5/16" - 18 x 3/4", grade 2
50	10-19542	Bolt, 7/16" - 14 x 1", grade 5
52	10-19590	Bolt, 5/8" - 11 x 1-1/2", grade 5
53	10-19591	Bolt, 5/8" - 11 x 6-1/2", grade 5
54	10-19603	Lockwasher, 5/16"
55	10-19595	Washer locknut, 5/16" - 18
56	10-19596	Washer locknut, 3/8" - 16
57	10-19598	Locknut, 7/16" - 14
58	10-19600	Locknut, 5/8" - 11
59	10-19274	Self-tapping screw #14 x 5/8", w/washerhead
60	10-19224	Woodruff key, 1/4" x 1"
61	10-19608	sET SCREW, 5/16" - 18 X 3/8"
62	10-19225	Setscrew, 3/8" - 16 x 3/8"
63	10-19991	Bolt, 5/8" - 11 x 2", grade 5
64	10-19199	Tube halfband
65	10-19677	Basic carton

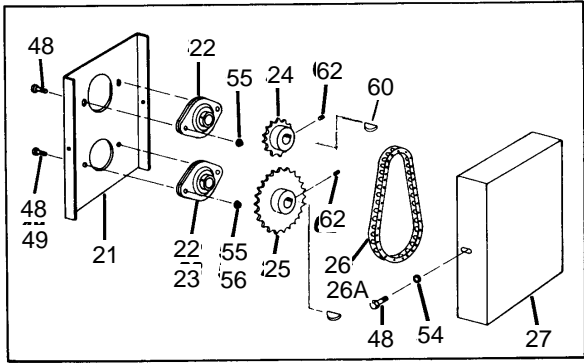


REPLACEMENT SPROCKETS FOR AUGERS WITH PTO-SD DRIVE ARE SHOWN IN SECTION B

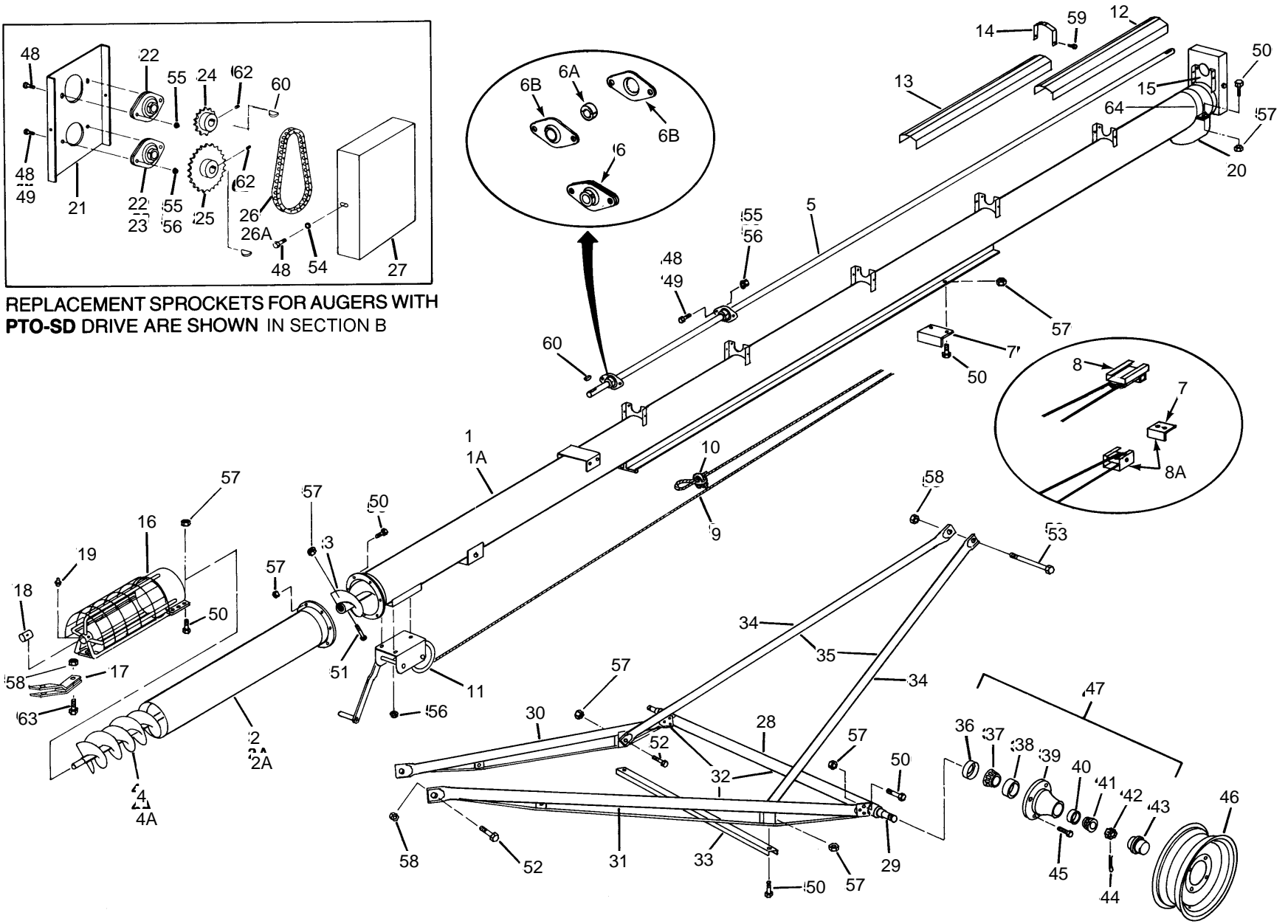


W80-31_BASIC AUGER

ITEM	PART NO.	DESCRIPTION
1	10-19033	Upper tube section w/driveshaft, housing, track
1A	10-19059	Upper tube bundle, as shipped
2A	10-19062	Lower tube bundle, as shipped
2	10-19390	Lower tube section
3	10-19402	Upper flight section
4A	10-19085	24" Weld-on crimped intake flight
4	10-19393	Lower flight section
5	10-19204	Driveshaft, 18' 6-1/4" long
6A	10-18693	1-1/4" split hardwood bearing, set of 2 halves
6B	10-18695	1-1/4" bearing flange, single, 2 bolt
6	10-19244	1-1/4" ball bearing w/set screws, flanges
7	10-18762	Angle track stop only
8A	10-17071	Roller track shoe (replaces #19137)
8	10-19137	Slider track shoe (N/A replaced by 17071)
9	10-19246	1/4" cable, 24' long
10	10-19147	1/4" Cable clamp
11	10-19151	Winch, 4:1 ratio
12	10-19254	Driveshaft shield, 42" long
13	10-19255	Driveshaft shield, 48" long
14	10-19256	Shield tie-down strap
15	10-19257	Upper shield attach bracket
16	10-19398	Intake hitch w/shield, bushing, grease fittings
17	10-19442	Clevis, less bolt
18	10-19149	1" Bushing
19	10-19222	Press-in grease fitting
20	10-19411	Strap-on outlet spout
21	10-19315	Upper drive housing
22	10-19321	1" Flangette bearing
23	10-19322	1-1/4" Flangette bearing
24	10-19430	Upper sprocket, 14 tooth
25	10-19431	Lower sprocket, 25 tooth
26	10-19432	Roller chain w/connector
26A	10-19433	Roller chain connector only
27	10-19319	Housing cover
28	10-19336	Axle w/spindles, nuts, cotter pins
29	10-19262	Spindle, weld-on
30	10-19346	Lower reach tube, left
31	10-19347	Lower reach tube, right
32	10-19363	Lower reach frame bundle, as shipped
33	10-19372	Crossmember
34	10-19381	Upper lift tube, left or right
35	10-19527	Upper lift bundle, as shipped, includes Ref. #33
36	10-19264	Seal
37	10-19265	Large bearing, Timken #LM 67048
38	10-19266	Large cup, Timken #LM 67010
39	10-19267	Hub w/cups
40	10-19268	Small cup, Timken #LM 11910
41	10-19269	Small bearing, Timken #LM 11949
42	10-19270	Slotted nut, 3/4" - 16
43	10-19272	Dust cap

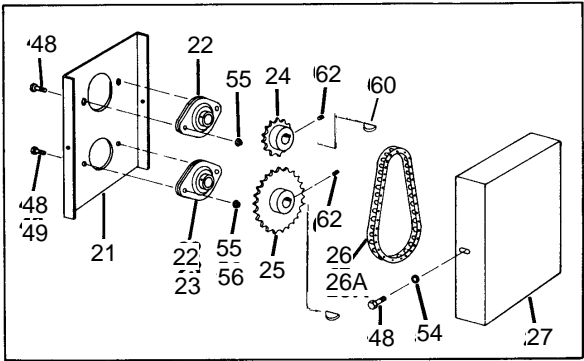


REPLACEMENT SPROCKETS FOR AUGERS WITH PTO-SD DRIVE ARE SHOWN IN SECTION B

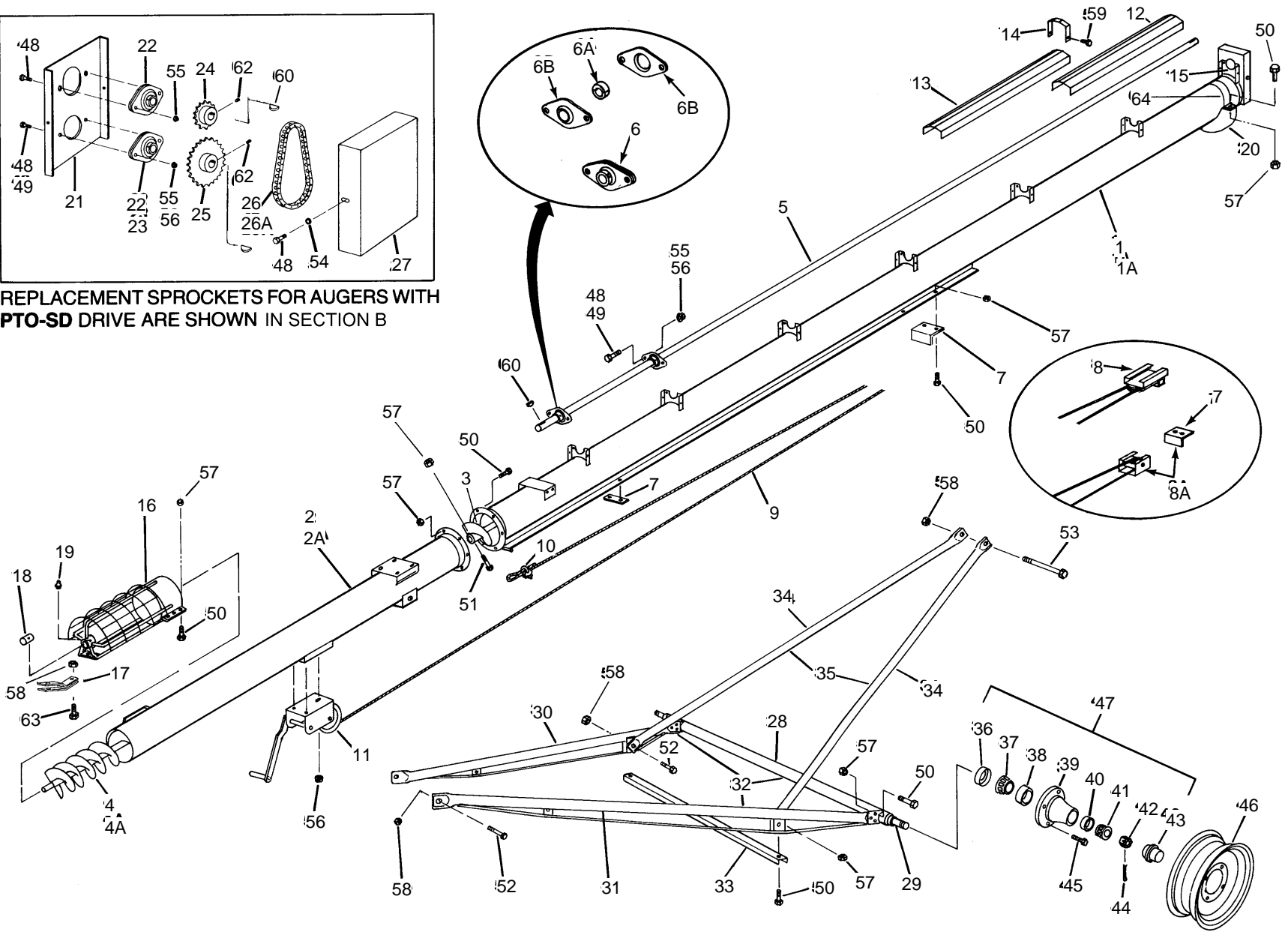


W80-31_BASIC AUGER

ITEM	PART NO.	DESCRIPTION
44	10-19271	1/8" x 1-1/2" Cotter pin
45	10-19273	Wheel bolt, 1/2" - 20 x 1"
46	10-19261	15" Wheel, 4 bolt
47	10-19467	Hub assembly, complete
48	10-19538	Bolt, 5/16" - 18 x 3/4", grade 2
49	10-19540	Bolt, 3/8" - 16 x 3/4", grade 2
50	10-19542	Bolt, 7/16" - 14 x 1", grade 5
51	10-19545	Bolt, 7/16" - 14 x 2-1/4", grade 8
52	10-19590	Bolt, 5/8" - 11 x 1-1/2", grade 5
53	10-19591	Bolt, 5/8" - 11 x 6-1/2", grade 5
54	10-19603	Lockwasher, 5/16"
55	10-19595	Washer locknut, 5/16" - 18
56	10-19596	Washer locknut, 3/8" - 16
57	10-19598	Locknut, 7/16" - 14
58	10-19600	Locknut, 5/8" - 11
59	10-19274	Self-tapping screw #14 x 5/8", w/washerhead
60	10-19224	Woodruff key, 1/4" x 1"
61	10-19608	SET SCREW, 5/16" - 18 X 3/8"
62	10-19225	Setscrew, 3/8" - 16 x 3/8"
63	10-19991	Bolt, 5/8" - 11 x 2", grade 5
64	10-19460	Tube halfband
65	10-19683	Basic carton

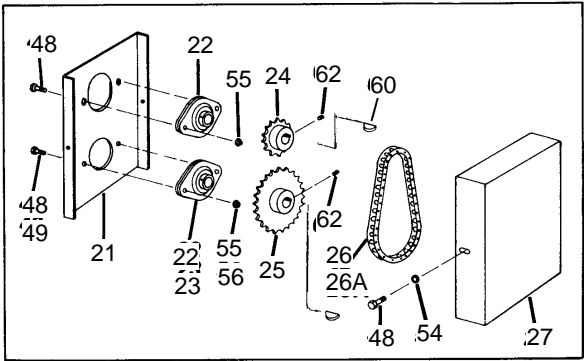


REPLACEMENT SPROCKETS FOR AUGERS WITH PTO-SD DRIVE ARE SHOWN IN SECTION B

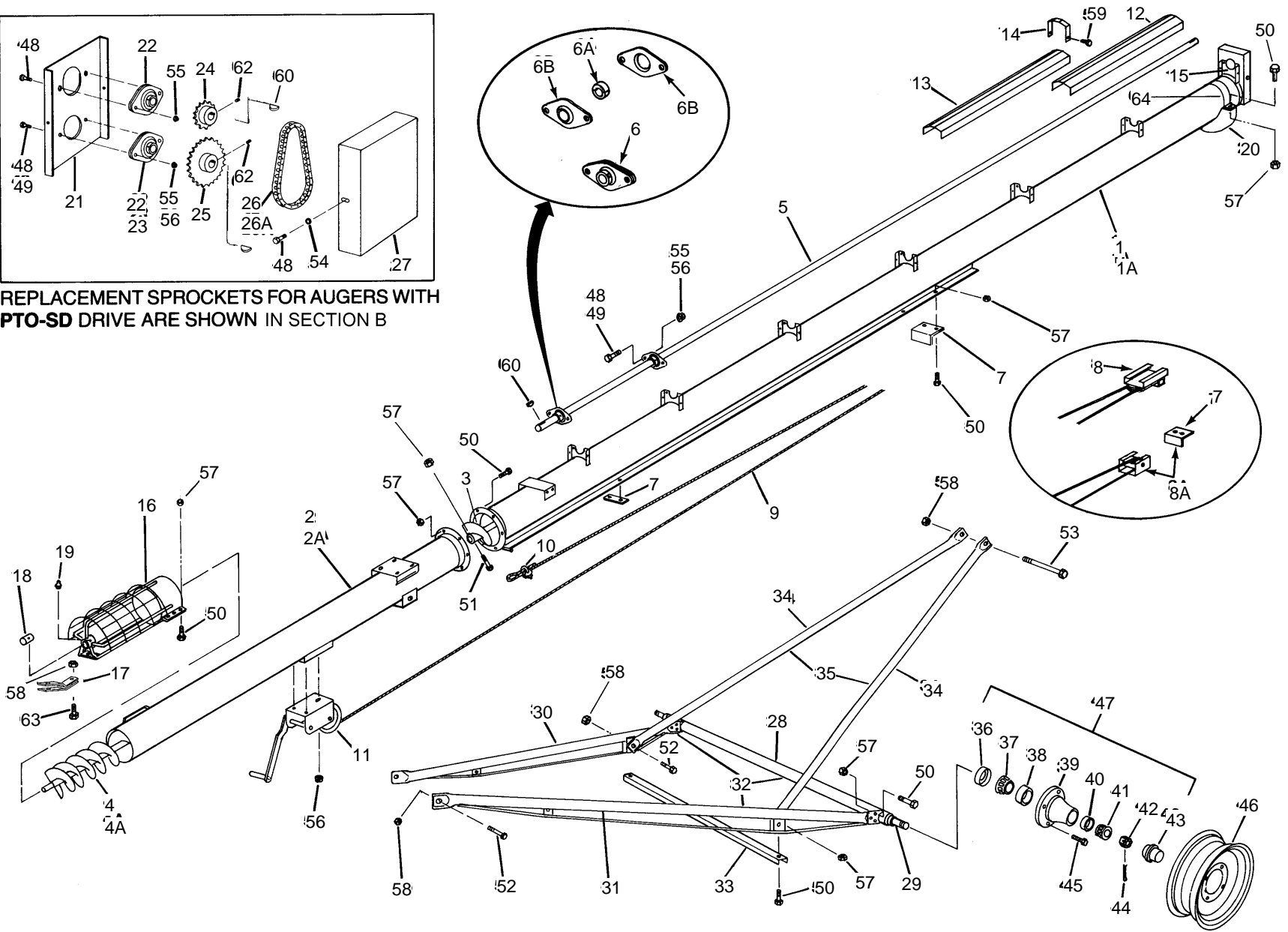


W60-36_BASIC AUGER

ITEM	PART NO.	DESCRIPTION
1	10-19034	Upper tube section w/driveshaft, housing, track
1A	10-19063	Upper tube bundle, as shipped
2	10-19037	Lower tube section
2A	10-19066	Lower tube bundle, as shipped
3	10-19006	Upper flight section
4	10-19011	Lower flight section
4A	10-19083	24" Weld-on crimped intake flight
5	10-19205	Driveshaft, 22' 3" long
6A	10-18692	1" split hardwood bearing, set of 2 halves
6B	10-18694	1" bearing flange, single, 2 bolt
6	10-19243	1" ball bearing w/set screws, flanges
7	10-18762	Angle track stop only
8A	10-17071	Roller track shoe (replaces #19137)
8	10-19137	Slider track shoe (N/A replaced by 17071)
9	10-19247	1/4" Cable, 33' long
10	10-19147	1/4" Cable clamp
11	10-19151	Winch
12	10-19254	Driveshaft shield, 42" long (not Shown)
13	10-19255	Driveshaft shield, 48" long
14	10-19256	Shield tie-down strap
15	10-19257	Upper shield attach bracket
16	10-19019	Intake hitch w-shield, bushing, grease fitting
17	10-19442	Clevis, less bolt
18	10-19149	1" Bushing
19	10-19222	Press-in grease fitting
20	10-17070	Strap-on outlet spout
21	10-19313	Upper drive housing
22	10-19321	1" Flangette bearing
24	10-19131	Upper sprocket, 14 tooth
25	10-19132	Lower sprocket, 25 tooth
26	10-19015	Roller chain w/connector
26A	10-19134	Roller chain connector only
27	10-19317	Housing cover
28	10-19337	Axle w/spindles, nuts, cotter pins
29	10-19262	Spindle, weld-on
30	10-19348	Lower reach tube, left
31	10-19349	Lower reach tube, right
32	10-19364	Lower reach frame bundle, as shipped
33	10-19373	crossmember
34	10-19382	Upper lift tube, left or right
35	10-19528	Upper lift bundle, as shipped, includes Ref. #33
36	10-19264	Seal
37	10-19265	Large bearing, Timken #LM 67048
38	10-19266	Large cup, Timken #LM 67010
39	10-19267	Hub w/cups
40	10-19268	Small cup, Timken #LM11910
41	10-19269	Small bearing, Timken #LM 11949
42	10-19270	Slotted nut, 3/4" - 16
43	10-19272	Dust cap
44	10-19271	Cotter pin, 1/8" x 1-1/2"

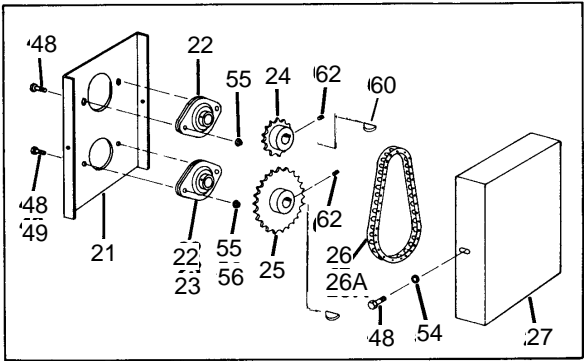


REPLACEMENT SPROCKETS FOR AUGERS WITH PTO-SD DRIVE ARE SHOWN IN SECTION B

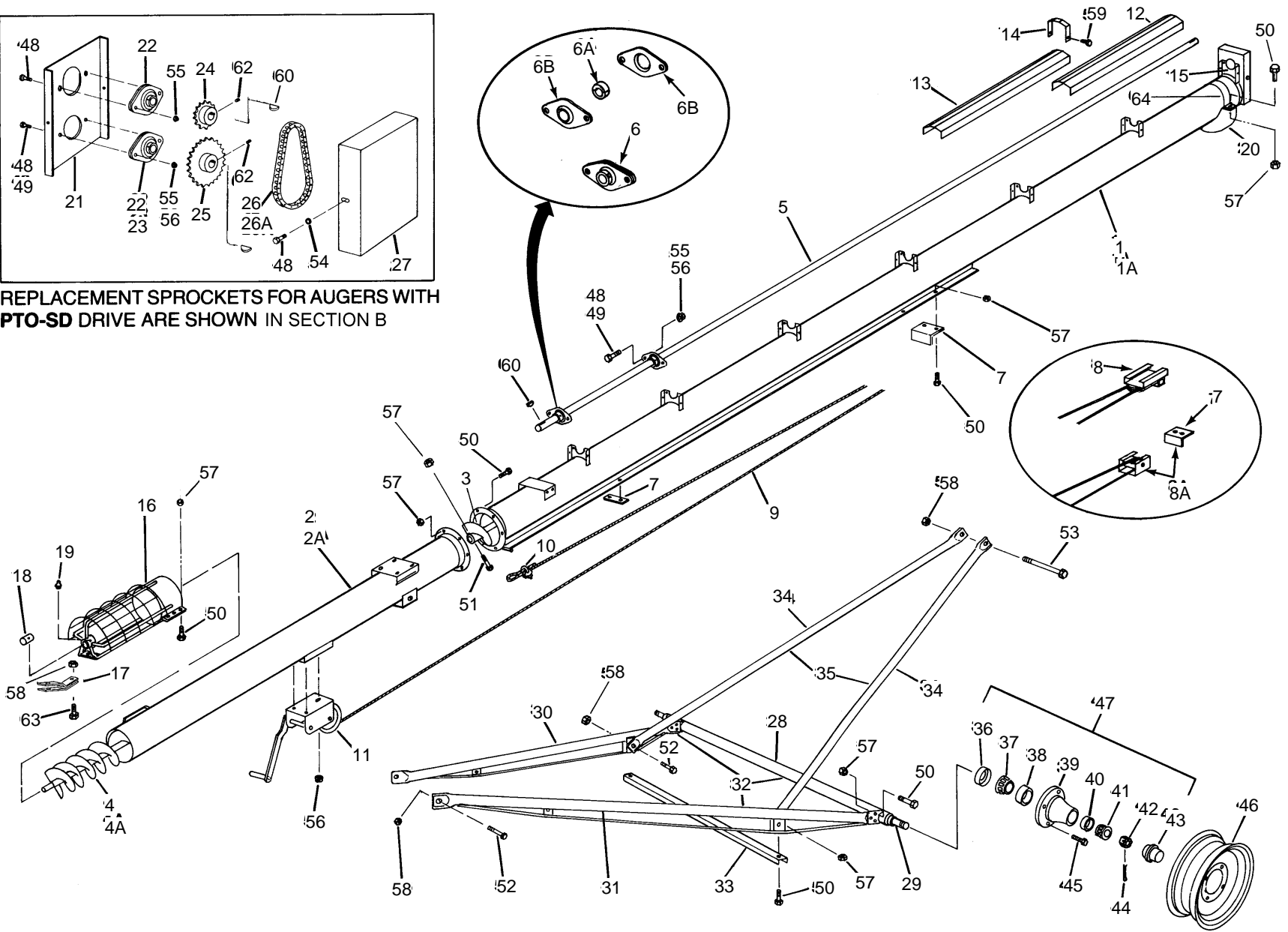


W60-36_BASIC AUGER

ITEM	PART NO.	DESCRIPTION
45	10-19273	Wheel bolt, 1/2" - 20 x 1"
46	10-19261	15" Wheel, 4 bolt
47	10-19467	Hub assembly, complete
48	10-19538	Bolt, 5/16" - 18 x 3/4", grade 2
50	10-19542	Bolt, 7/16" - 14 x 1", grade 5
52	10-19590	Bolt, 5/8" - 11 x 1-1/2", grade 5
53	10-19591	Bolt, 5/8" - 11 x 6-1/2", grade 5
54	10-19603	Lockwasher, 5/16"
55	10-19595	Washer locknut 5/16", - 18
56	10-19596	Washer locknut 3/8", - 16
57	10-19598	Locknut, 7/16" - 14
58	10-19600	Locknut, 5/8" - 11
59	10-19274	Self-tapping screw #14 x 5/8", w/washerhead
60	10-19224	Woodruff key, 1/4" x 1"
61	10-19608	Setscrew, 5/16" - 18 x 3/8"
62	10-19225	Setscrew, 3/8" - 16 x 3/8"
63	10-19991	Bolt, 5/8" - 11 x 2", grade 5
64	10-19022	Tube halfband
65	10-19678	Basic carton

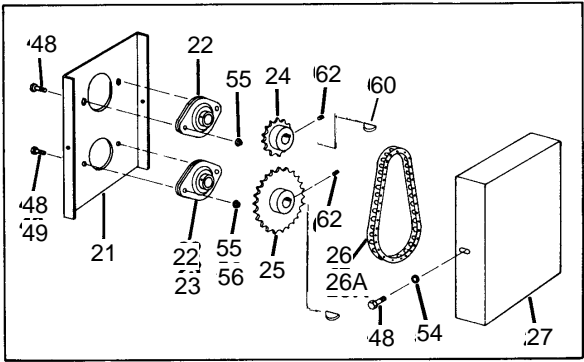


REPLACEMENT SPROCKETS FOR AUGERS WITH PTO-SD DRIVE ARE SHOWN IN SECTION B

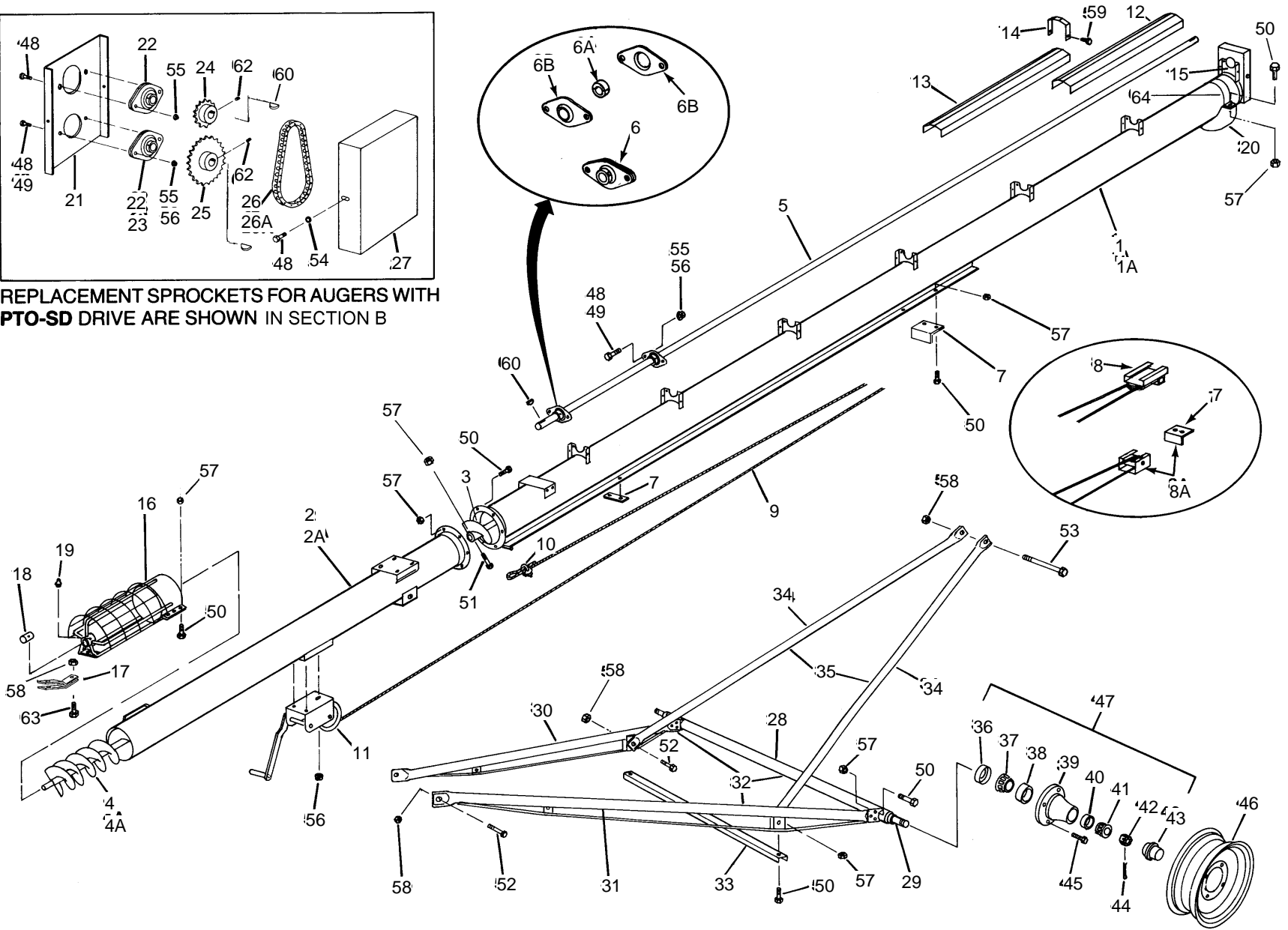


W70-36_BASIC AUGER

ITEM	PART NO.	DESCRIPTION
1	10-19035	Upper tube section w/driveshaft, housing, track
1A	10-19064	Upper tube bundle, as shipped
2	10-19038	Lower tube section
2A	10-19067	Lower tube bundle, as shipped
3	10-19105	Upper flight section
4A	10-19084	24" Weld-on crimped intake flight
4	10-19112	Lower flight section
5	10-19205	Driveshaft, 22' 3" long
6A	10-18692	1" split hardwood bearing, set of 2 halves
6B	10-18694	1" bearing flange, single, 2 bolt
6	10-19243	1" ball bearing w/set screws, flanges
7	10-18762	Angle track stop only
8A	10-17071	Roller track shoe (replaces #19137)
8	10-19137	Slider track shoe (N/A replaced by 17071)
9	10-19247	1/4" Cable, 33' long
10	10-19147	1/4" Cable clamp
11	10-19151	Winch
12	10-19254	Driveshaft shield, 42" long (not Shown)
13	10-19255	Driveshaft shield, 48" long
14	10-19256	Shield tie-down strap
15	10-19257	Upper shield attach bracket
16	10-19192	Intake hitch w-shield, bushing, grease fitting
17	10-19442	Clevis, less bolt
18	10-19149	1" Bushing
19	10-19222	Press-in grease fitting
20	10-19193	Strap-on outlet spout
21	10-19314	Upper drive housing
22	10-19321	1" Flangette bearing
24	10-19131	Upper sprocket, 14 tooth
25	10-19132	Lower sprocket, 25 tooth
26	10-19133	Roller chain w/connector
26A	10-19134	Roller chain connector only
27	10-19318	Housing cover
28	10-19337	Axle w/spindles, nuts, cotter pins
29	10-19262	Spindle, weld-on
30	10-19348	Lower reach tube, left
31	10-19349	Lower reach tube, right
32	10-19364	Lower reach frame bundle, as shipped
33	10-19373	crossmember
34	10-19382	Upper lift tube, left or right
35	10-19528	Upper lift bundle, as shipped, includes Ref. #33
36	10-19264	Seal
37	10-19265	Large bearing, Timken #LM 67048
38	10-19266	Large cup, Timken #LM 67010
39	10-19267	Hub w/cups
40	10-19268	Small cup, Timken #LM11910
41	10-19269	Small bearing, Timken #LM 11949
42	10-19270	Slotted nut, 3/4" - 16
43	10-19272	Dust cap
44	10-19271	Cotter pin, 1/8" x 1-1/2"

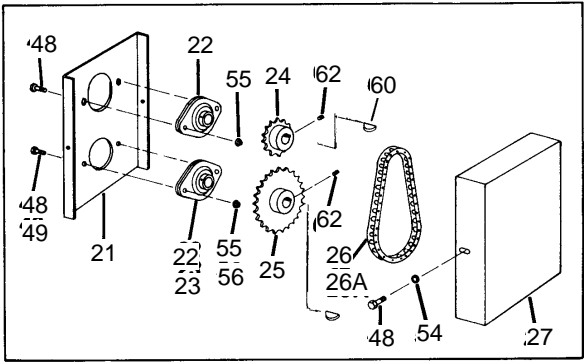


REPLACEMENT SPROCKETS FOR AUGERS WITH PTO-SD DRIVE ARE SHOWN IN SECTION B

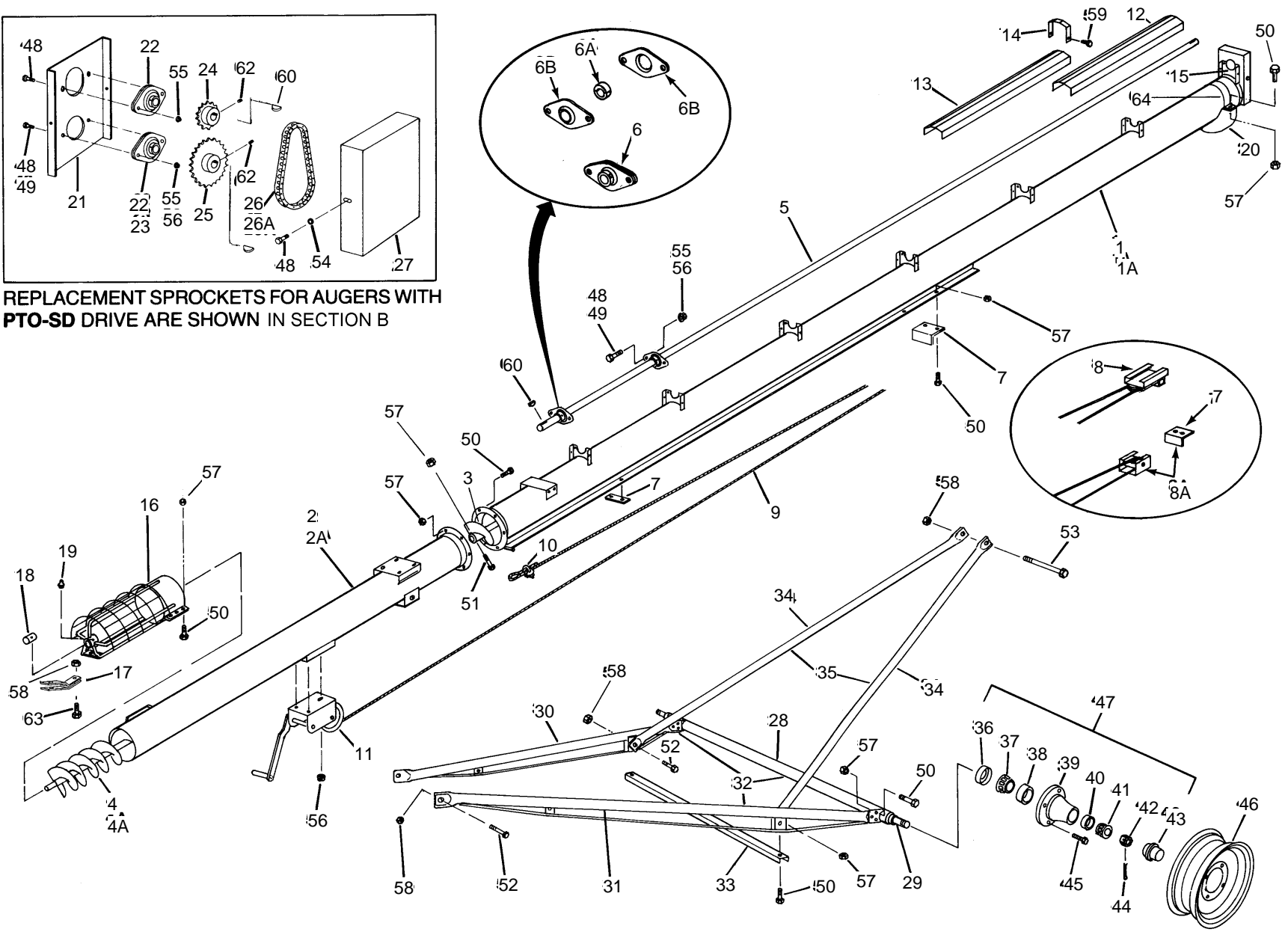


W70-36_BASIC AUGER

ITEM	PART NO.	DESCRIPTION
45	10-19273	Wheel bolt, 1/2" - 20 x 1"
46	10-19261	15" Wheel, 4 bolt
47	10-19467	Hub assembly, complete
48	10-19538	Bolt, 5/16" - 18 x 3/4", grade 2
50	10-19542	Bolt, 7/16" - 14 x 1", grade 5
52	10-19590	Bolt, 5/8" - 11 x 1-1/2", grade 5
53	10-19591	Bolt, 5/8" - 11 x 6-1/2", grade 5
54	10-19603	Lockwasher, 5/16"
55	10-19595	Washer locknut 5/16", - 18
56	10-19596	Washer locknut 3/8", - 16
57	10-19598	Locknut, 7/16" - 14
58	10-19600	Locknut, 5/8" - 11
59	10-19274	Self-tapping screw #14 x 5/8", w/washerhead
60	10-19224	Woodruff key, 1/4" x 1"
61	10-19608	Setscrew, 5/16" - 18 x 3/8"
62	10-19225	Setscrew, 3/8" - 16 x 3/8"
63	10-19991	Bolt, 5/8" - 11 x 2", grade 5
64	10-19199	Tube halfband
65	10-19678	Basic carton

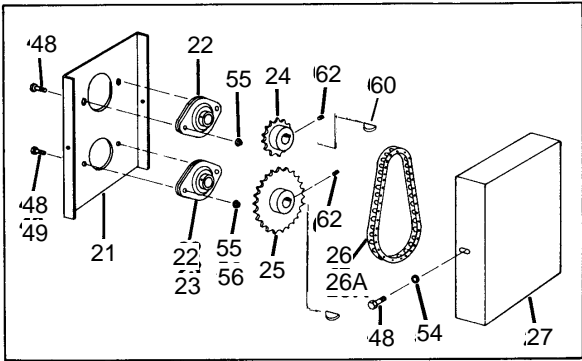


REPLACEMENT SPROCKETS FOR AUGERS WITH PTO-SD DRIVE ARE SHOWN IN SECTION B

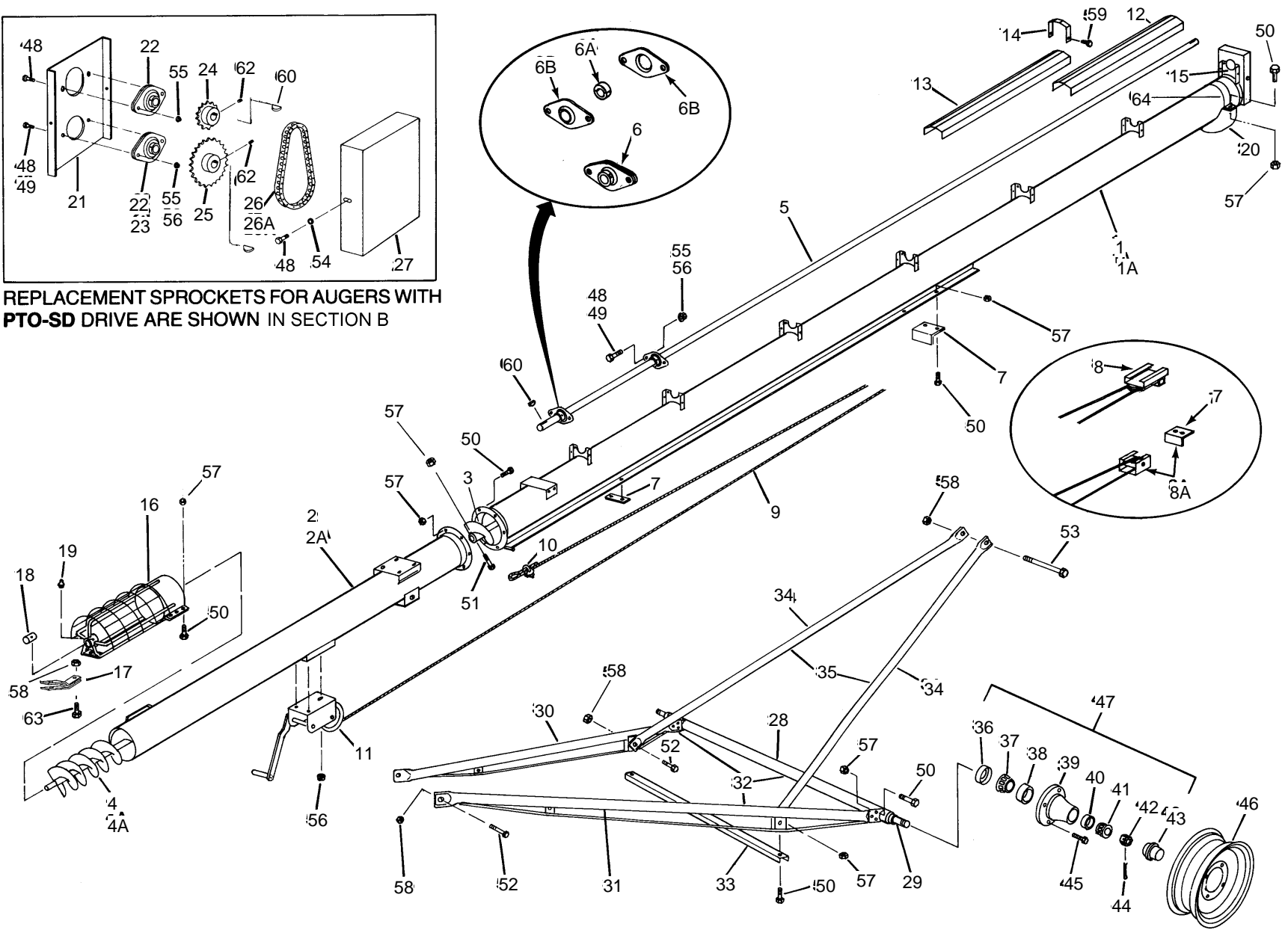


W80-36_BASIC AUGER

ITEM	PART NO.	DESCRIPTION
1	10-19036	Upper tube section w/driveshaft, housing, track
1A	10-19065	Upper tube bundle, as shipped
2	10-19039	Lower tube section
2A	10-19068	Lower tube bundle, as shipped
3	10-19402	Upper flight section
4A	10-19085	24" Weld-on crimped intake flight
4	10-19407	Lower flight section
5	10-19206	Driveshaft, 22' 3-1/2" long
6A	10-18693	1-1/4" split hardwood bearing, set of 2 halves
6B	10-18695	1-1/4" bearing flange, single, 2 bolt
6	10-19244	1-1/4" ball bearing w/set screws, flanges
7	10-18762	Angle track stop only
8A	10-17071	Roller track shoe (Replaces #19137)
8	10-19137	Slider track shoe (N/A replaced by 17071)
9	10-19247	1/4" Cable, 33' long
10	10-19147	1/4" Cable clamp
11	10-19152	Winch
12	10-19254	Driveshaft shield, 42" long (not Shown)
13	10-19255	Driveshaft shield, 48" long
14	10-19256	Shield tie-down strap
15	10-19257	Upper shield attach bracket
16	10-19398	Intake hitch w-shield, bushing, grease fitting
17	10-19442	Clevis, less bolt
18	10-19149	1" Bushing
19	10-19222	Press-in grease fitting
20	10-19411	Strap-on outlet spout
21	10-19315	Upper drive housing
22	10-19321	1" Flangette bearing
23	10-19322	1-1/4" Flangette bearing
24	10-19430	Upper sprocket, 14 tooth
25	10-19431	Lower sprocket, 25 tooth
26	10-19432	Roller chain w/connector
26A	10-19433	Roller chain connector only
27	10-19319	Housing cover
28	10-19337	Axle w/spindles, nuts, cotter pins
29	10-19262	Spindle, weld-on
30	10-19348	Lower reach tube, left
31	10-19349	Lower reach tube, right
32	10-19364	Lower reach frame bundle, as shipped
33	10-19373	Crossmember
34	10-19382	Upper lift tube, left or right
35	10-19528	Upper lift bundle, as shipped, includes Ref. #33
36	10-19264	Seal
37	10-19265	Large bearing, Timken #LM 67048
38	10-19266	Large cup, Timken #LM 67010
39	10-19267	Hub w/cups
40	10-19268	Small cup, Timken #LM11910
41	10-19269	Small bearing, Timken #LM 11949
42	10-19270	Slotted nut, 3/4" - 16
43	10-19272	Dust cap

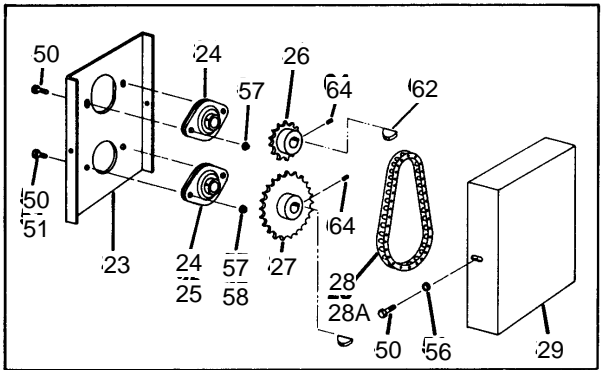


REPLACEMENT SPROCKETS FOR AUGERS WITH PTO-SD DRIVE ARE SHOWN IN SECTION B

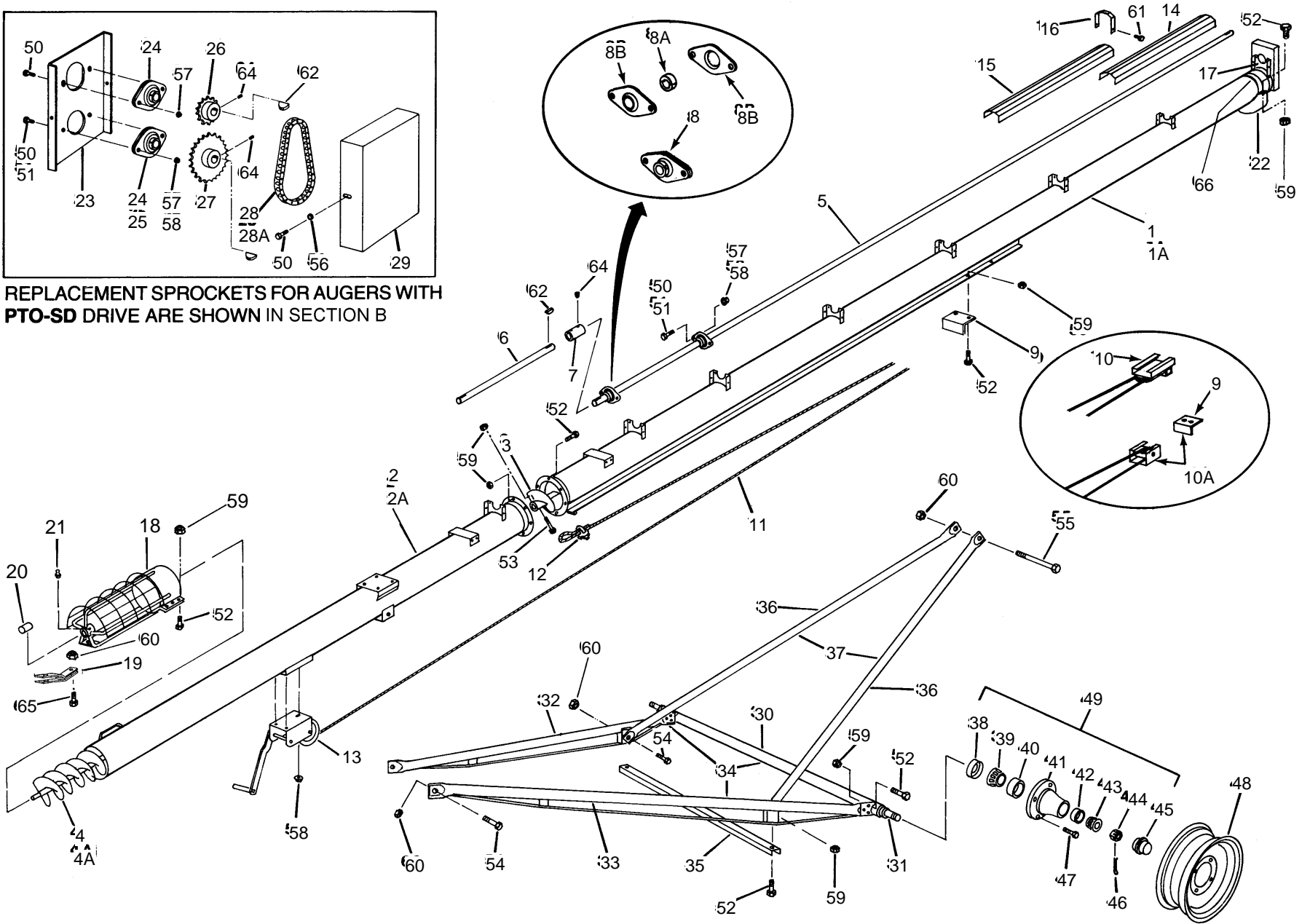


W80-36_BASIC AUGER

ITEM	PART NO.	DESCRIPTION
44	10-19271	Cotter pin, 1/8" x 1-1/2"
45	10-19273	Wheel bolt, 1/2" - 20 x 1"
46	10-19261	15" Wheel, 4 bolt
47	10-19467	Hub assembly, complete
48	10-19538	Bolt, 5/16" - 18 x 3/4", grade 2
49	10-19540	Bolt, 3/8" - 16 x 3/4", grade 2
50	10-19542	Bolt, 7/16" - 14 x 1", grade 5
51	10-19545	Bolt, 7/16" - 14 x 2-1/4", grade 8
52	10-19590	Bolt, 5/8" - 11 x 1-1/2", grade 5
53	10-19591	Bolt, 5/8" - 11 x 6-1/2", grade 5
54	10-19603	Lockwasher, 5/16"
55	10-19595	Washer locknut 5/16", - 18
56	10-19596	Washer locknut 3/8", - 16
57	10-19598	Locknut, 7/16" - 14
58	10-19600	Locknut, 5/8" - 11
59	10-19274	Self-tapping screw #14 x 5/8", w/washerhead
60	10-19224	Woodruff key, 1/4" x 1"
61	10-19608	Setscrew, 5/16" - 18 x 3/8"
62	10-19225	Setscrew, 3/8" - 16 x 3/8"
63	10-19991	Bolt, 5/8" - 11 x 2", grade 5
64	10-19460	Tube halfband
65	10-19684	Basic carton

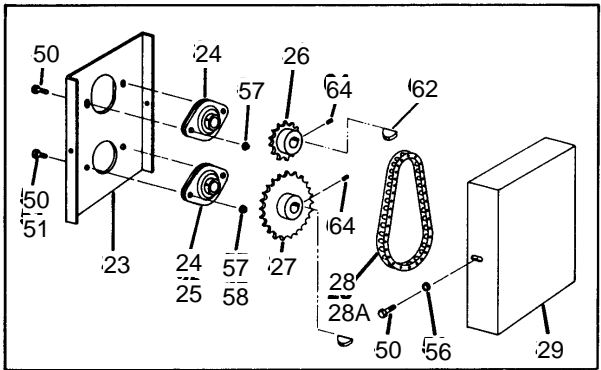


REPLACEMENT SPROCKETS FOR AUGERS WITH PTO-SD DRIVE ARE SHOWN IN SECTION B

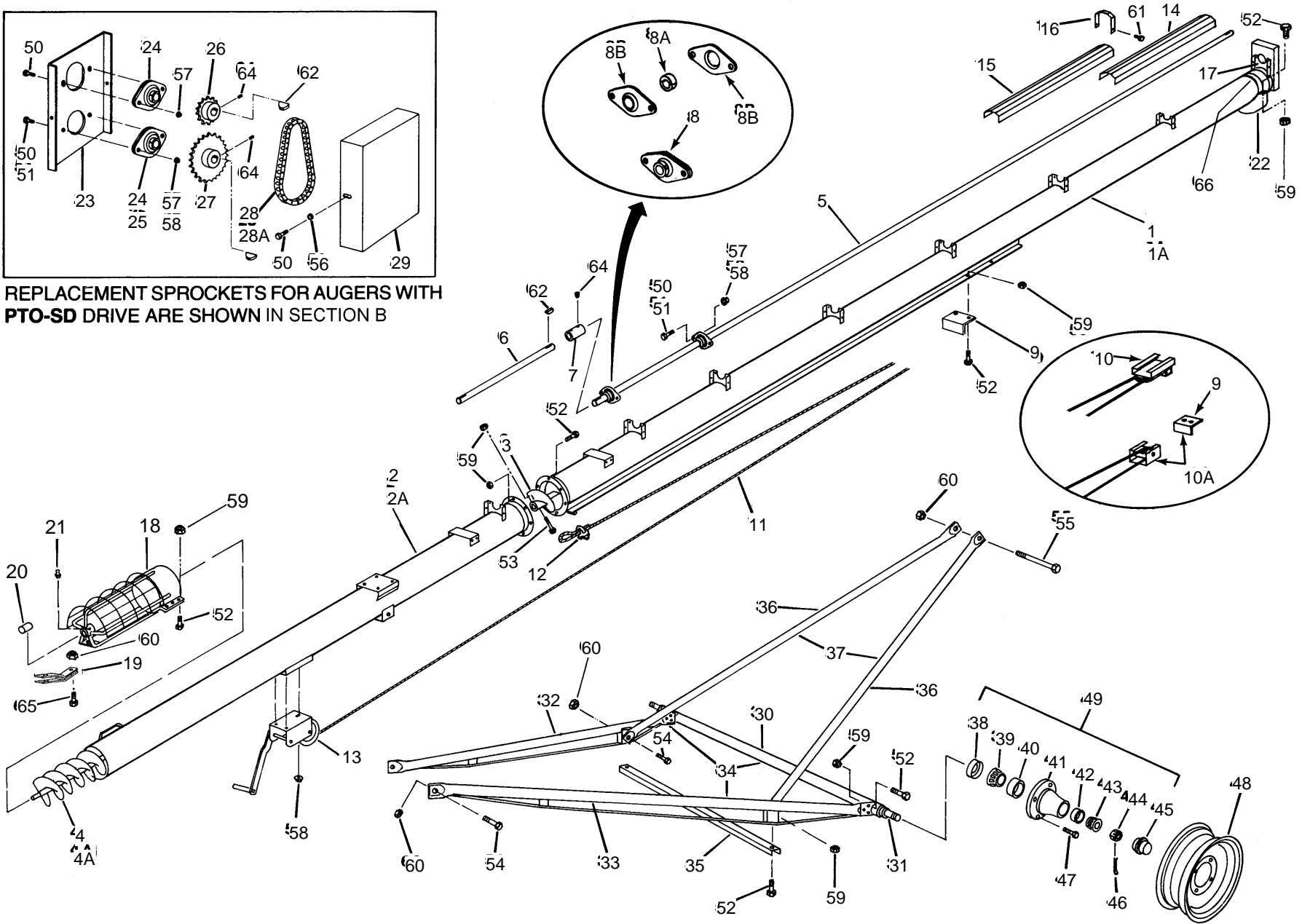


W60-41_BASIC_AUGER

ITEM	PART NO.	DESCRIPTION
1	10-19034	Upper tube section w/driveshaft, housing track
1A	10-19063	Upper tube bundle, as shipped
2	10-19040	Lower tube section
2A	10-19069	Lower tube bundle, as shipped
3	10-19006	Upper flight section
4	10-19012	Lower flight section
4A	10-19083	24" Weld-on crimped intake flight
5	10-19205	Upper driveshaft, 22' 3" long
6	10-19236	Lower driveshaft, 3' 9-1/2" long
7	10-19119	Driveshaft connector
8A	10-18692	1" split hardwood bearing, set of 2 halves
8B	10-18694	1" bearing flange, single, 2 bolt
8	10-19243	1" ball bearing w/set screws, flanges
9	10-18762	Angle track stop only
10A	10-17071	Roller track shoe (REPLACES #19137)
10	10-19137	Slider track shoe (N/A replaced by 17071)
11	10-19248	1/4" Cable, 34' 6" long
12	10-19147	1/4" Cable clamp
13	10-19151	Winch
14	10-19254	Driveshaft shield, 42" long
15	10-19255	Driveshaft shield, 48" long
16	10-19256	Shield tie-down strap
17	10-19257	Upper shield attach bracket
18	10-19019	Intake hitch w-shield, bushing, grease fitting
19	10-19442	Clevis, less bolt
20	10-19149	1" Bushing
21	10-19222	Press-in grease fitting
22	10-17070	Strap-on outlet spout
23	10-19313	Upper drive housing
24	10-19321	1" Flangette bearing
26	10-19131	Upper sprocket, 14 tooth
27	10-19132	Lower sprocket, 25 tooth
28	10-19015	Roller chain w/connector
28A	10-19134	Roller chain connector only
29	10-19317	Housing cover
30	10-19338	Axle w/spindles, nuts, cotter pins
31	10-19262	Spindle, weld-on
32	10-19350	Lower reach tube, left
33	10-19351	Lower reach tube, right
34	10-19365	Lower reach frame bundle, as shipped
35	10-19374	crossmember
36	10-19383	Upper lift tube, left or right
37	10-19529	Upper lift bundle, as shipped, includes Ref. #35
38	10-19264	Seal
39	10-19265	Large bearing, Timken #LM 67048
40	10-19266	Large cup, Timken #LM 67010
41	10-19267	Hub w/cups
42	10-19268	Small cup, Timken #LM 11910
43	10-19269	Small bearing, Timken #LM 11949
44	10-19270	Slotted nut, 3/4" - 16

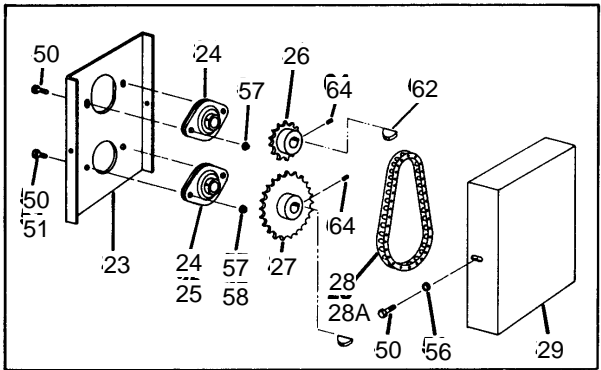


REPLACEMENT SPROCKETS FOR AUGERS WITH PTO-SD DRIVE ARE SHOWN IN SECTION B

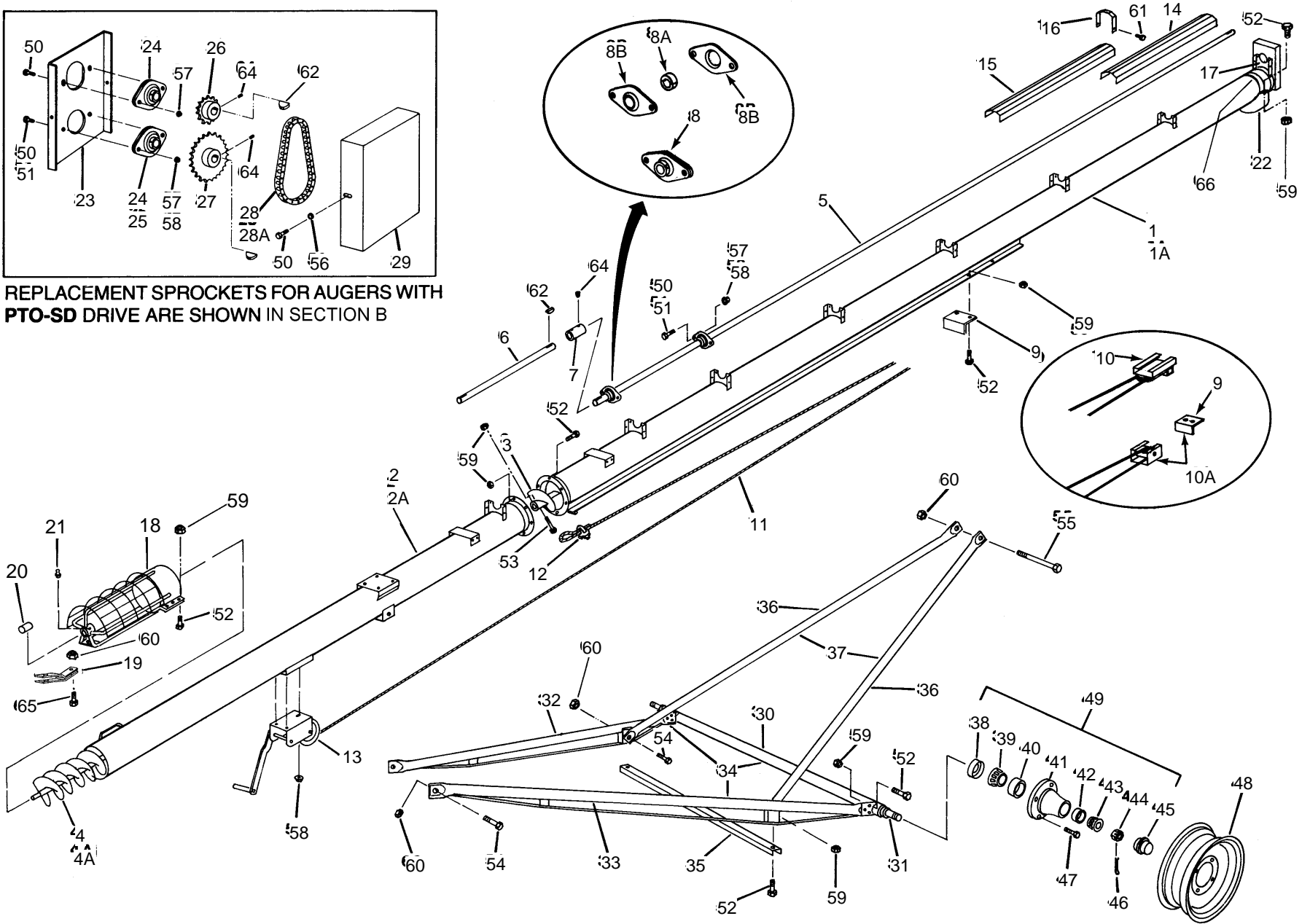


W60-41_BASIC_AUGER

ITEM	PART NO.	DESCRIPTION
45	10-19272	Dust cap
46	10-19271	Cotter pin, 1/8" x 1-1/2"
47	10-19273	Wheel bolt, 1/2" - 20
48	10-19261	15" Wheel, 4 bolt
49	10-19467	Hub assembly, complete
50	10-19538	Bolt, 5/16" - 18 x 3/4", grade 2
52	10-19542	Bolt, 7/16" - 14 x 1", grade 5
54	10-19590	Bolt, 5/8" - 11 x 1-1/2", grade 5
55	10-19591	Bolt, 5/8" - 11 x 6-1/2", grade 5
56	10-19603	Lockwasher, 5/16"
57	10-19595	Washer locknut, 5/16" - 18
58	10-19596	Washer locknut, 3/8" - 16
59	10-19598	Locknut, 7/16" - 14
60	10-19600	Locknut, 5/8" - 11
61	10-19274	self-tapping screw #14 x 5/8", w/washerhead
62	10-19224	Woodruff key, 1/4" x 1"
63	10-19608	Setscrew, 5/16" - 18 x 3/8"
64	10-19225	Setscrew, 3/8" - 16 x 3/8"
65	10-19991	Bolt, 5/8" - 11 x 2", grade 5
66	10-19022	Tube halfband
67	10-19679	Basic carton

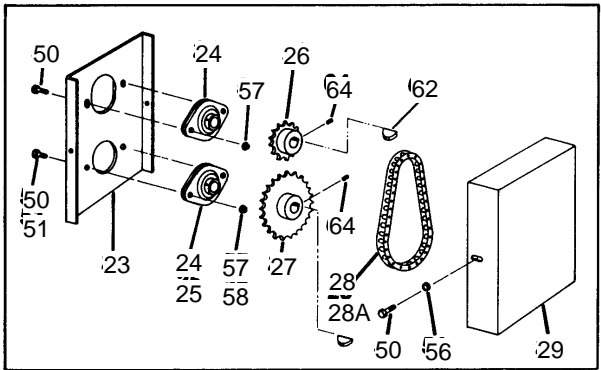


REPLACEMENT SPROCKETS FOR AUGERS WITH PTO-SD DRIVE ARE SHOWN IN SECTION B

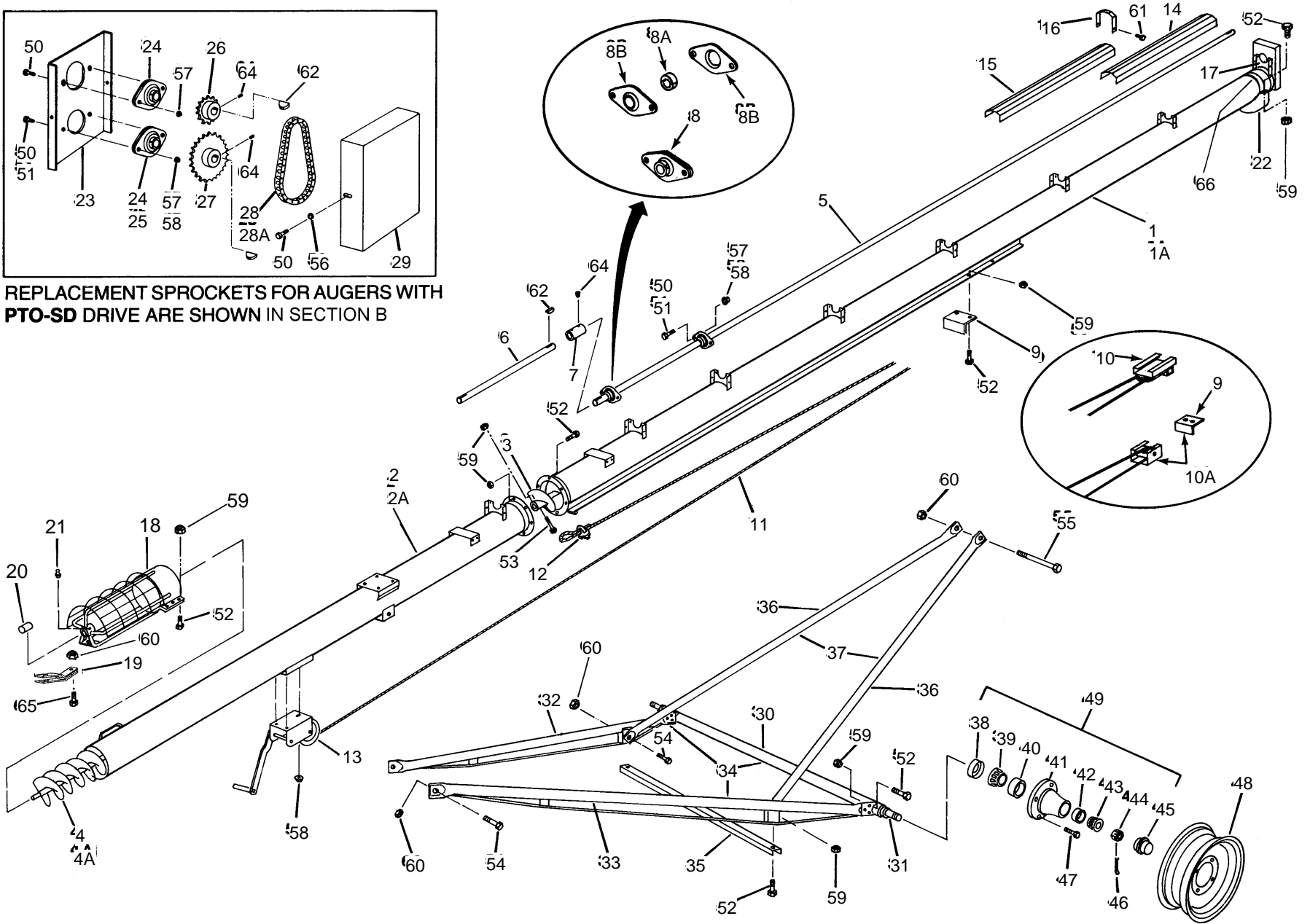


W70-41_BASIC_AUGER

ITEM	PART NO.	DESCRIPTION
1	10-19035	Upper tube section w/driveshaft, housing track
1A	10-19064	Upper tube bundle, as shipped
2	10-19041	Lower tube section
2A	10-19070	Lower tube bundle, as shipped
3	10-19105	Upper flight section
4A	10-19084	24" Weld-on crimped intake flight
4	10-19113	Lower flight section
5	10-19205	Upper driveshaft, 22' 3" long
6	10-19236	Lower driveshaft, 3' 9-1/2" long
7	10-19119	driveshaft connector
8A	10-18692	1" split hardwood bearing, set of 2 halves
8B	10-18694	1" bearing flange, single, 2 bolt
8	10-19243	1" ball bearing w/set screws, flanges
9	10-18762	Angle track stop only
10A	10-17071	Roller track shoe (REPLACES #19137)
10	10-19137	Slider track shoe (N/A replaced by 17071)
11	10-19248	1/4" Cable, 34' 6" long
12	10-19147	1/4" Cable clamp
13	10-19151	Winch
14	10-19254	Driveshaft shield, 42" long
15	10-19255	Driveshaft shield, 48" long
16	10-19256	Shield tie-down strap
17	10-19257	Upper shield attach bracket
18	10-19192	Intake hitch w-shield, bushing, grease fitting
19	10-19442	Clevis, less bolt
20	10-19149	1" Bushing
21	10-19222	Press-in grease fitting
22	10-19193	Strap-on outlet spout
23	10-19314	Upper drive housing
24	10-19321	1" Flangette bearing
26	10-19131	Upper sprocket, 14 tooth
27	10-19132	Lower sprocket, 25 tooth
28	10-19133	Roller chain w/connector
28A	10-19134	Roller chain connector only
29	10-19318	Housing cover
30	10-19338	Axle w/spindles, nuts, cotter pins
31	10-19262	Spindle, weld-on
32	10-19350	Lower reach tube, left
33	10-19351	Lower reach tube, right
34	10-19365	Lower reach frame bundle, as shipped
35	10-19374	Crossmember
36	10-19383	Upper lift tube, left or right
37	10-19529	Upper lift bundle, as shipped, includes Ref. #35
38	10-19264	Seal
39	10-19265	Large bearing, Timken #LM 67048
40	10-19266	Large cup, Timken #LM 67010
41	10-19267	Hub w/cups
42	10-19268	Small cup, Timken #LM 11910
43	10-19269	Small bearing, Timken #LM 11949
44	10-19270	Slotted nut, 3/4" - 16

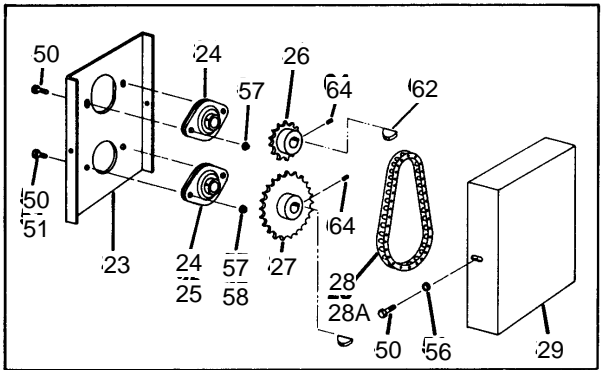


REPLACEMENT SPROCKETS FOR AUGERS WITH PTO-SD DRIVE ARE SHOWN IN SECTION B

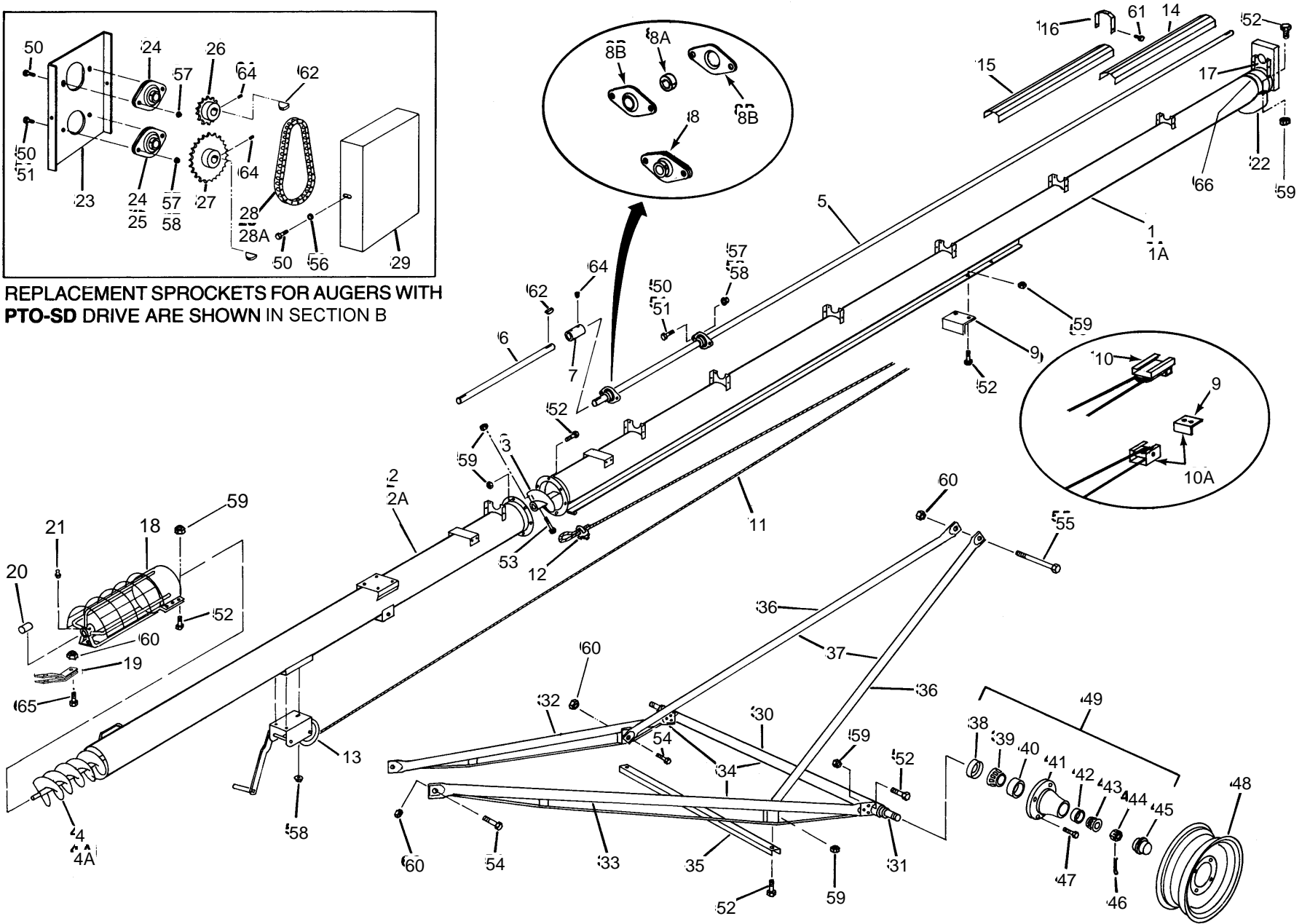


W70-41_BASIC_AUGER

ITEM	PART NO.	DESCRIPTION
45	10-19272	Dust cap
46	10-19271	Cotter pin, 1/8" x 1-1/2"
47	10-19273	Wheel bolt, 1/2" - 20
48	10-19261	15" Wheel, 4 bolt
49	10-19467	Hub assembly, complete
50	10-19538	Bolt, 5/16" - 18 x 3/4", grade 2
52	10-19542	Bolt, 7/16" - 14 x 1", grade 5
54	10-19590	Bolt, 5/8" - 11 x 1-1/2", grade 5
55	10-19591	Bolt, 5/8" - 11 x 6-1/2", grade 5
56	10-19603	Lockwasher, 5/16"
57	10-19595	Washer locknut, 5/16" - 18
58	10-19596	Washer locknut, 3/8" - 16
59	10-19598	Locknut, 7/16" - 14
60	10-19600	Locknut, 5/8" - 11
61	10-19274	self-tapping screw #14 x 5/8", w/washerhead
62	10-19224	Woodruff key, 1/4" x 1"
63	10-19608	Setscrew, 5/16" - 18 x 3/8"
64	10-19225	Setscrew, 3/8" - 16 x 3/8"
65	10-19991	Bolt, 5/8" - 11 x 2", grade 5
66	10-19199	Tube halfband
67	10-19679	Basic carton

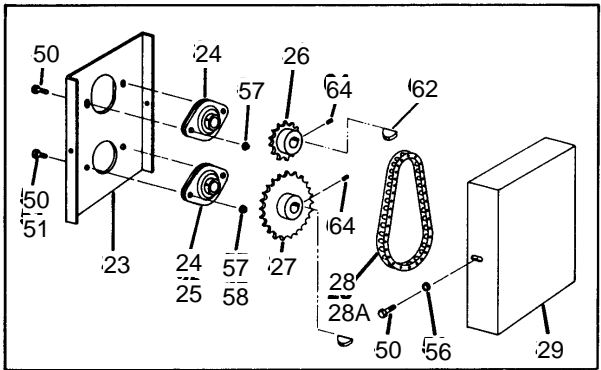


REPLACEMENT SPROCKETS FOR AUGERS WITH PTO-SD DRIVE ARE SHOWN IN SECTION B

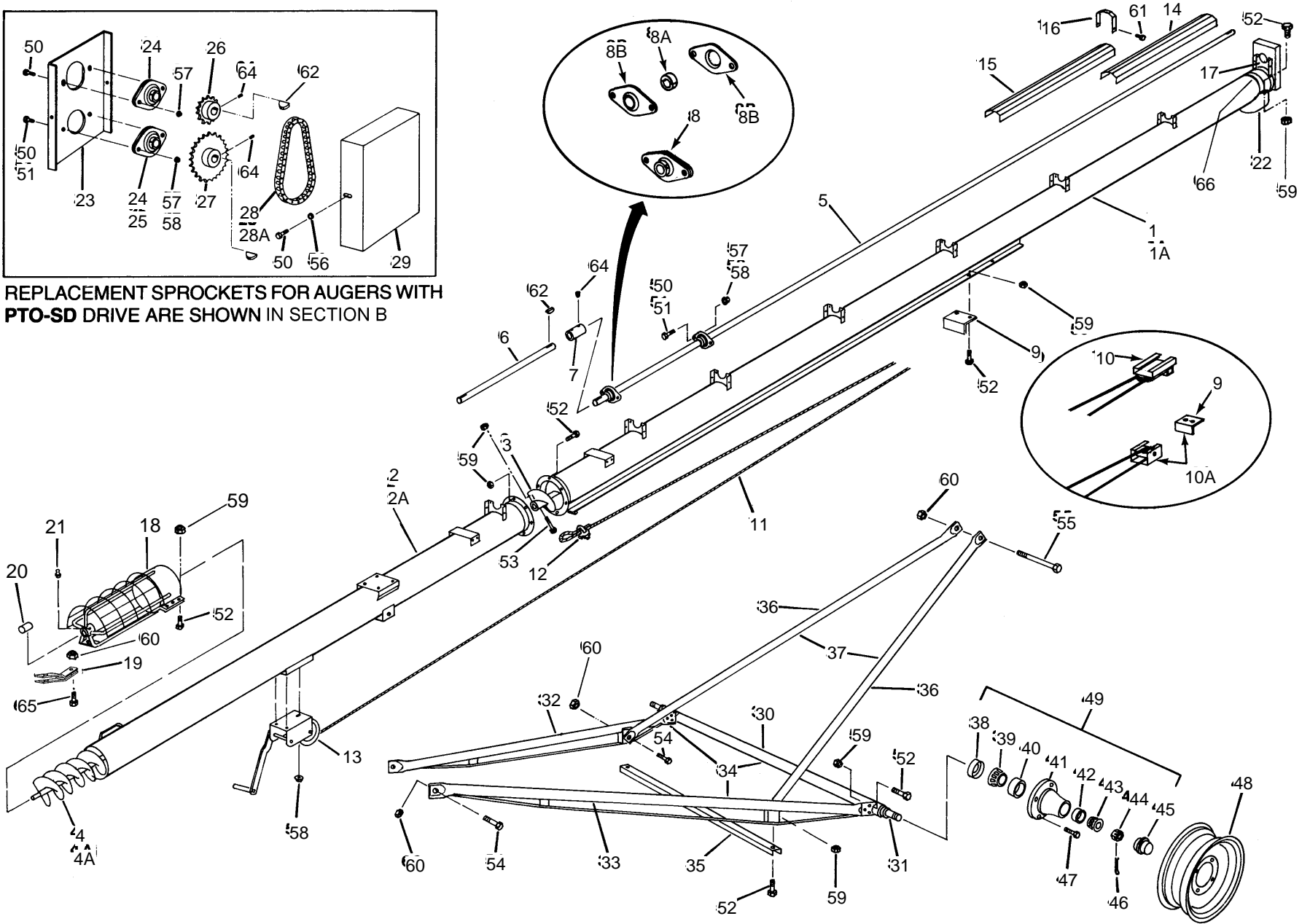


W80-41_BASIC_AUGER

ITEM	PART NO.	DESCRIPTION
1	10-19036	Upper tube section w/driveshaft, housing track
1A	10-19065	Upper tube bundle, as shipped
2	10-19042	Lower tube section
2A	10-19071	Lower tube bundle, as shipped
3	10-19402	Upper flight section
4A	10-19085	24" Weld-on crimped intake flight
4	10-19408	Lower flight section
5	10-19206	Upper driveshaft, 22' 3-1/2" long
6	10-19237	Lower driveshaft, 3' 9-1/2" long
7	10-19119	Driveshaft connector
8A	10-18693	1-1/4" split hardwood bearing, set of 2 halves
8B	10-18695	1-1/4" bearing flange, single, 2 bolt
8	10-19244	1-1/4" ball bearing w/set screws, flanges
9	10-18762	Angle track stop only
10A	10-17071	Roller track shoe (REPLACES #19137)
10	10-19137	Slider track shoe (N/A replaced by 17071)
11	10-19248	1/4" Cable, 34' 6" long
12	10-19147	1/4" Cable clamp
13	10-19152	Winch
14	10-19254	Driveshaft shield, 42" long
15	10-19255	Driveshaft shield, 48" long
16	10-19256	Shield tie-down strap
17	10-19257	Upper shield attach bracket
18	10-19398	Intake hitch w-shield, bushing, grease fitting
19	10-19442	Clevis, less bolt
20	10-19149	1" Bushing
21	10-19222	Press-in grease fitting
22	10-19411	Strap-on outlet spout
23	10-19315	Upper drive housing
24	10-19321	1" Flangette bearing
25	10-19322	1-1/4" Flangette bearing
26	10-19430	Upper sprocket, 14 tooth
27	10-19431	Lower sprocket, 25 tooth
28	10-19432	Roller chain w/connector
28A	10-19433	Roller chain connector only
29	10-19319	Housing cover
30	10-19338	Axle w/spindles, nuts, cotter pins
31	10-19262	Spindle, weld-on
32	10-19350	Lower reach tube, left
33	10-19351	Lower reach tube, right
34	10-19365	Lower reach frame bundle, as shipped
35	10-19374	Crossmember
36	10-19383	Upper lift tube, left or right
37	10-19529	Upper lift bundle, as shipped, includes Ref. #35
38	10-19264	Seal
39	10-19265	Large bearing, Timken #LM 67048
40	10-19266	Large cup, Timken #LM 67010
41	10-19267	Hub w/cups
42	10-19268	Small cup, Timken #LM 11910
43	10-19269	Small bearing, Timken #LM 11949

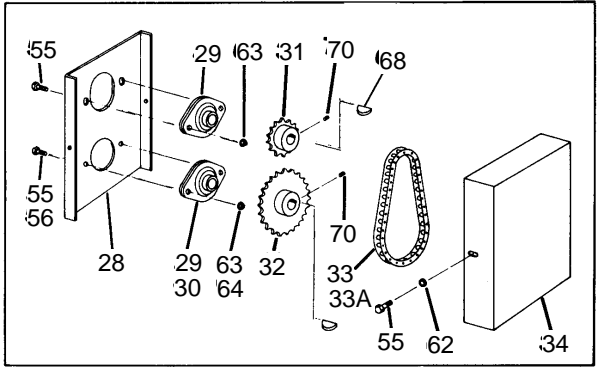


REPLACEMENT SPROCKETS FOR AUGERS WITH PTO-SD DRIVE ARE SHOWN IN SECTION B

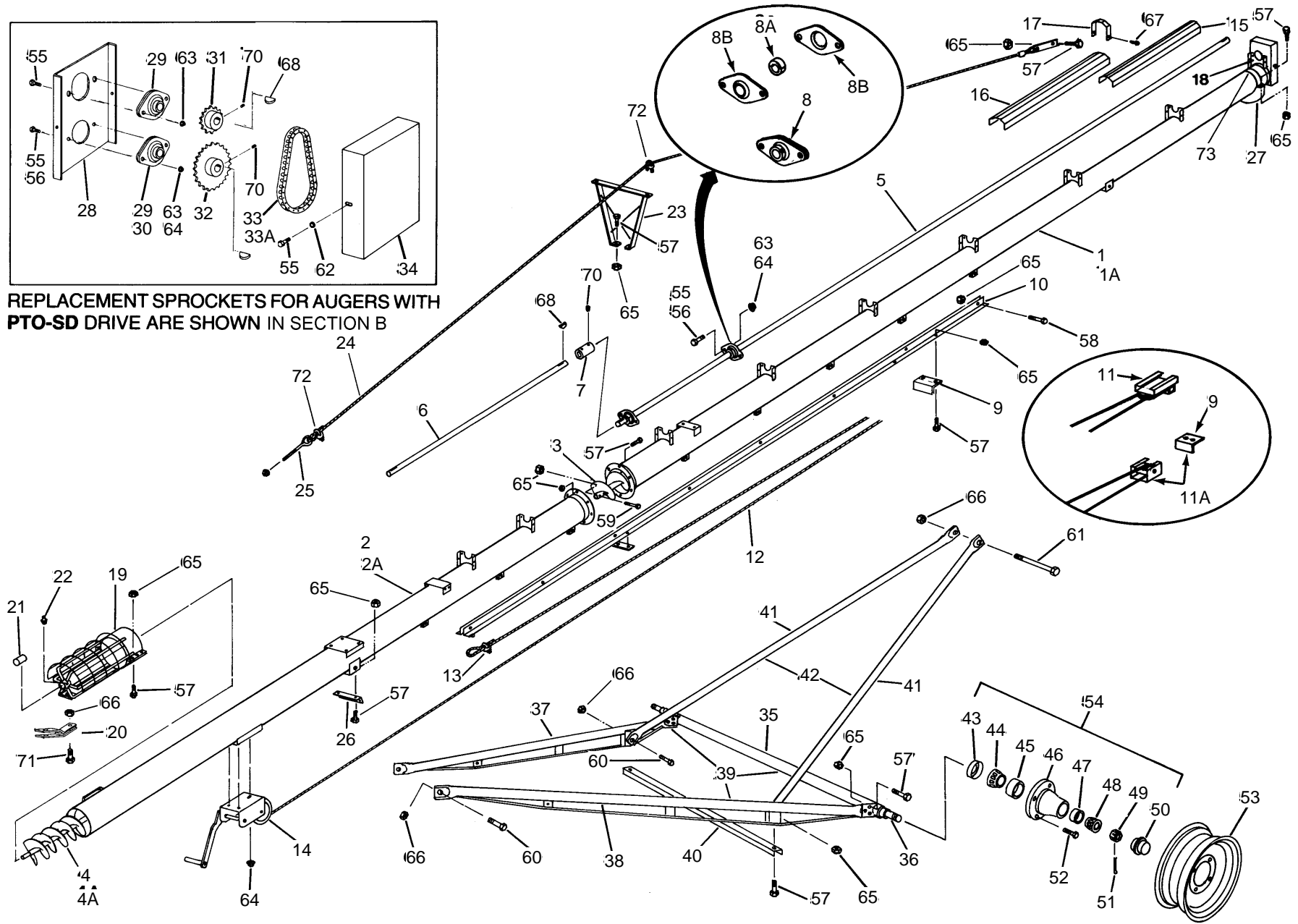


W80-41_BASIC_AUGER

ITEM	PART NO.	DESCRIPTION
44	10-19270	Slotted nut, 3/4" - 16
45	10-19272	Dust cap
46	10-19271	Cotter pin, 1/8" x 1-1/2"
47	10-19273	Wheel bolt, 1/2" - 20
48	10-19261	15" Wheel, 4 bolt
49	10-19467	Hub assembly, complete
50	10-19538	Bolt, 5/16" - 18 x 3/4", grade 2
51	10-19540	Bolt, 3/8" - 16 x 3/4", grade 2
52	10-19542	Bolt, 7/16" - 14 x 1", grade 5
53	10-19545	Bolt, 7/16" - 14 x 2-1/4", grade 8
54	10-19590	Bolt, 5/8" - 11 x 1-1/2", grade 5
55	10-19591	Bolt, 5/8" - 11 x 6-1/2", grade 5
56	10-19603	Lockwasher, 5/16"
57	10-19595	Washer locknut, 5/16" - 18
58	10-19596	Washer locknut, 3/8" - 16
59	10-19598	Locknut, 7/16" - 14
60	10-19600	Locknut, 5/8" - 11
61	10-19274	self-tapping screw #14 x 5/8", w/washerhead
62	10-19224	Woodruff key, 1/4" x 1"
63	10-19608	Setscrew, 5/16" - 18 x 3/8"
64	10-19225	Setscrew, 3/8" - 16 x 3/8"
65	10-19991	Bolt, 5/8" - 11 x 2", grade 5
66	10-19460	Tube halfband
67	10-19685	Basic carton

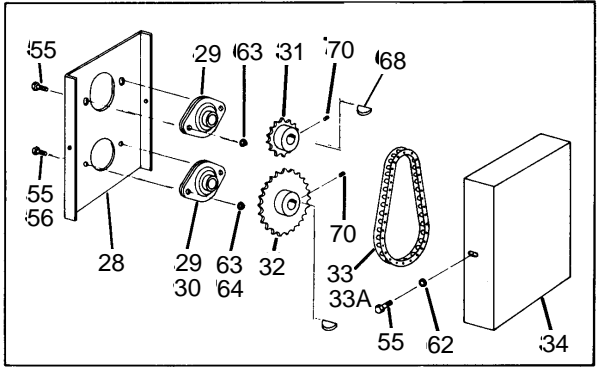


REPLACEMENT SPROCKETS FOR AUGERS WITH PTO-SD DRIVE ARE SHOWN IN SECTION B

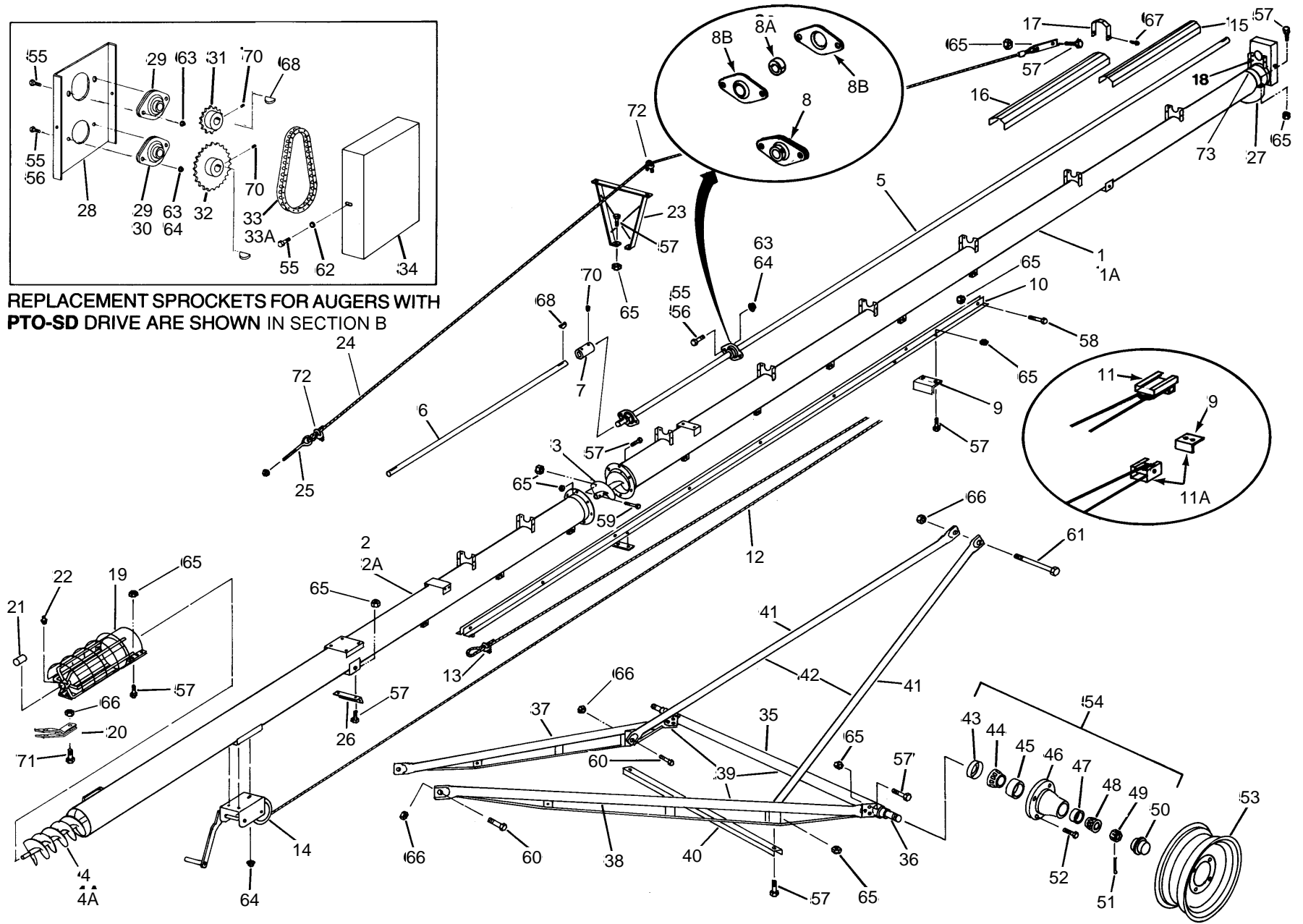


W70-46_BASIC_AUGER

ITEM	PART NO.	DESCRIPTION
1	10-19043	Upper tube section w/driveshaft, housing
1A	10-19072	Upper tube bundle, as shipped
2	10-19045	Lower tube section
2A	10-19074	Lower tube bundle, as shipped
3	10-19105	Upper flight section
4A	10-19084	24" Weld-on crimped intake flight
4	10-19114	Lower flight section
5	10-19207	Upper driveshaft, 23' 6" long
6	10-19238	Lower driveshaft, 6' 2-1/2" long
7	10-19119	Driveshaft connector
8A	10-18692	1" split hardwood bearing, set of 2 halves
8B	10-18694	1" bearing flange, single, 2 bolt
8	10-19243	1" ball bearing w/set screws, flanges
9	10-18762	Angle track stop only
10	10-19258	Bolt-on track
11A	10-17071	Roller track shoe (replaces #19137)
11	10-19137	Slider track shoe N/A replaced by 17071
12	10-19249	1/4" Cable, 44' long
13	10-19147	1/4" Cable clamp
14	10-19152	Winch, 5:1 ratio
15	10-19254	Driveshaft shield, 42" long
16	10-19255	Driveshaft shield, 48" long
17	10-19256	Shield tie-down strap
18	10-19257	Upper shield attach bracket
19	10-19192	Intake hitch w/shield, bushing, grease fitting
20	10-19442	Clevis, less bolt
21	10-19149	1" Bushing
22	10-19222	Press-in grease fitting
23	10-19324	Truss support bracket, low
24	10-19326	Single truss cable w/end plate, 29' long
25	10-19331	Eyebolt w/nut
26	10-19332	Truss attach angle
27	10-19193	Strap-on spout
28	10-19314	Upper drive housing
29	10-19321	1" Flangette bearing
31	10-19131	Upper sprocket, 14 tooth
32	10-19132	Lower sprocket, 25 tooth
33	10-19133	Roller chain w/connector
33A	10-19134	Roller chain connector only
34	10-19318	Housing cover
35	10-19339	Axle w/spindles, nuts, cotter pins
36	10-19263	Spindle, weld-on
37	10-19352	Lower reach tube, left
38	10-19353	Lower reach tube, right
39	10-19366	Lower reach frame bundle, as shipped
40	10-19375	crossmember
41	10-19384	Upper lift tube, left or right
42	10-19531	Upper lift bundle as shipped, includes ref. #40
43	10-19264	Seal
44	10-19265	Large bearing, Timken #LM 67048

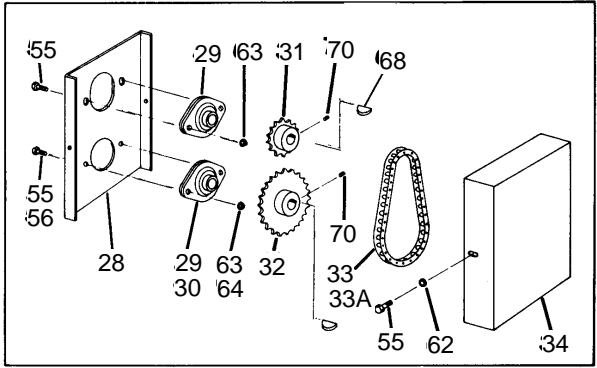


REPLACEMENT SPROCKETS FOR AUGERS WITH PTO-SD DRIVE ARE SHOWN IN SECTION B

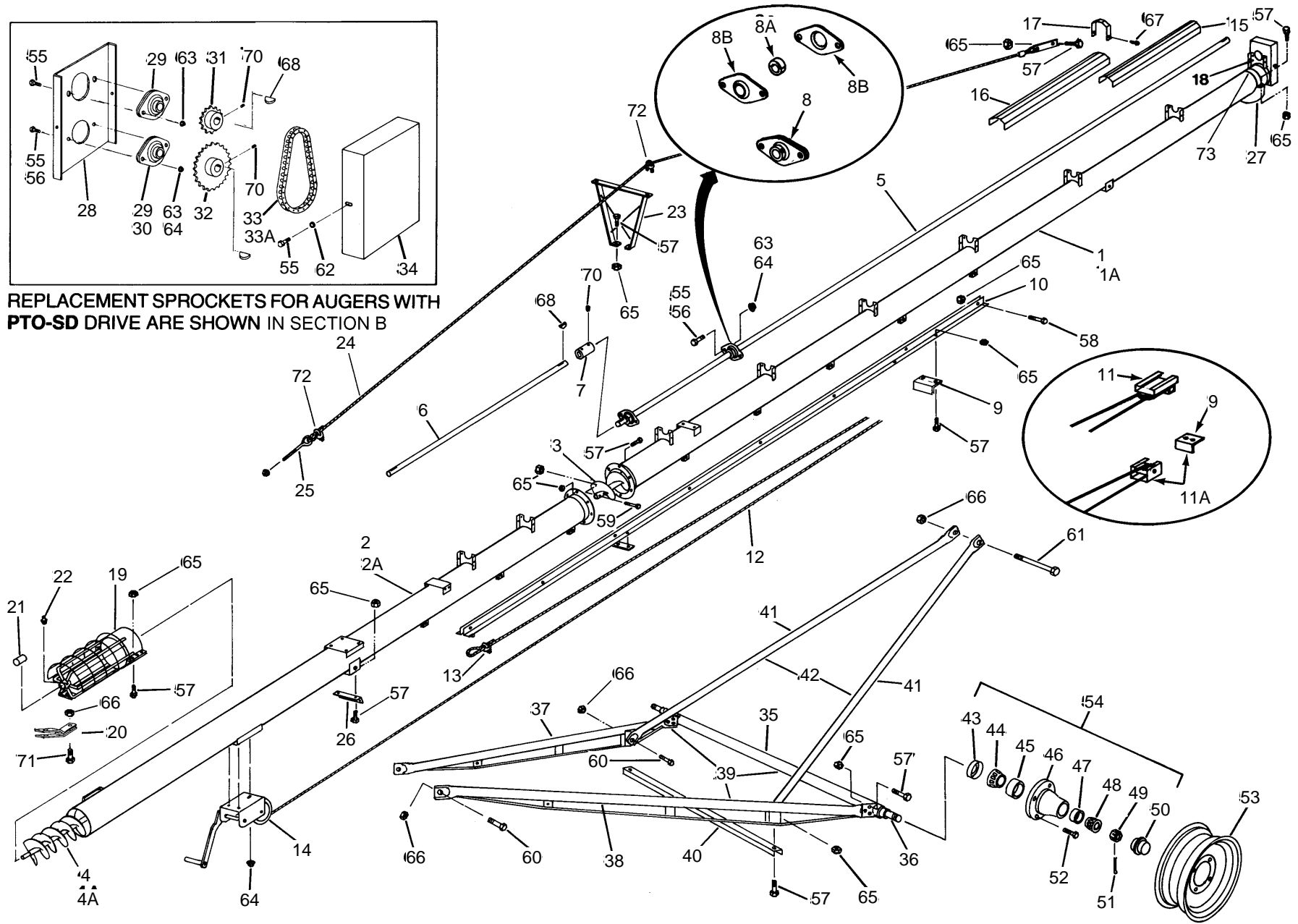


W70-46_BASIC_AUGER

ITEM	PART NO.	DESCRIPTION
45	10-19266	Large cup, Timken #LM 67010
46	10-19267	Hub w/cups
47	10-19268	Small cup, Timken #LM 11910
48	10-19269	Small bearing, Timken #LM 11949
49	10-19270	Slotted nut, 3/4" - 16
50	10-19272	Dust cap
51	10-19271	Cotter pin, 1/8" x 1-1/2"
52	10-19273	Wheel bolt, 1/2" - 20
53	10-19261	15" Wheel, 4 bolt
54	10-19467	Hub assembly, complete
55	10-19538	Bolt, 5/16" - 18 x 3/4", grade 2
57	10-19542	Bolt, 7/16" - 14 x 1", grade 5
58	10-19981	Bolt, 7/16" - 14 x 1-3/4", grade 5
60	10-19590	Bolt, 5/8" - 11 x 1-1/2", grade 5
61	10-19591	Bolt, 5/8" - 11 x 6-1/2", grade 5
62	10-19603	Lockwasher, 5/16"
63	10-19595	Washer locknut, 5/16" - 18
64	10-19596	Washer locknut, 3/8" - 16
65	10-19598	Locknut, 7/16" - 14
66	10-19600	Locknut, 5/8" - 11
67	10-19274	Self-tapping screw, #14 x 5/8", w/washerhead (not shown)
68	10-19224	Woodruff key, 1/4" x 1"
69	10-19608	set screw 5/16" - 18 x 3/8"
70	10-19225	Set screw, 3/8" - 16 x 3/8"
71	10-19991	Bolt, 5/8" - 11 x 2", grade 5
72	10-19333	Cable clamp, 5/16"
73	10-19199	Tube half band
74	10-19680	Basic carton

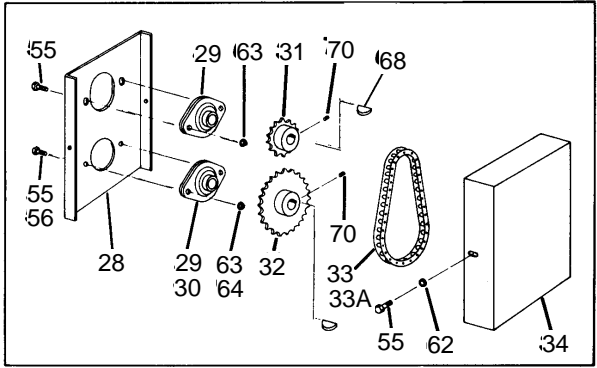


REPLACEMENT SPROCKETS FOR AUGERS WITH PTO-SD DRIVE ARE SHOWN IN SECTION B

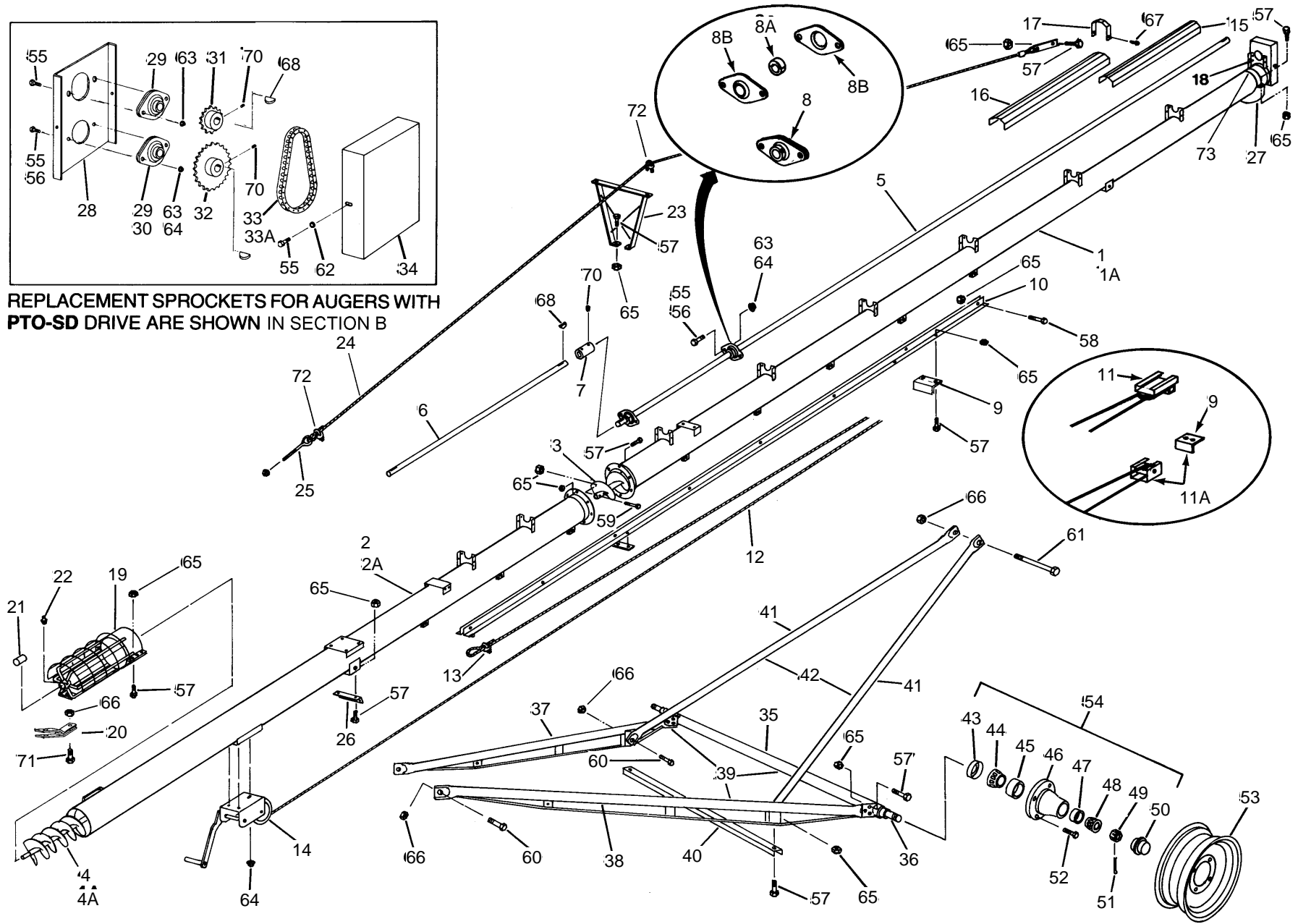


W80-46_BASIC_AUGER

ITEM	PART NO.	DESCRIPTION
1	10-19044	Upper tube section w/driveshaft, housing
1A	10-19073	Upper tube bundle, as shipped
2	10-19046	Lower tube section
2A	10-19075	Lower tube bundle, as shipped
3	10-19402	Upper flight section
4A	10-19085	24" Weld-on crimped intake flight
4	10-19409	Lower flight section
5	10-19208	Upper driveshaft, 23' 6" long
7	10-19119	Driveshaft connector
8A	10-18693	1-1/4" split hardwood bearing, set of 2 halves
8B	10-18695	1-1/4" bearing flange, single, 2 bolt
8	10-19244	1-1/4" ball bearing w/set screws, flanges
9	10-18762	Angle track stop only
10	10-19258	Bolt-on track
11A	10-17071	Roller track shoe (replaces #19137)
11	10-19137	Slider track shoe N/A replaced by 17071
12	10-19249	1/4" Cable, 44' long
13	10-19147	1/4" Cable clamp
14	10-19152	Winch, 5:1 ratio
15	10-19254	Driveshaft shield, 42" long
16	10-19255	Driveshaft shield, 48" long
17	10-19256	Shield tie-down strap
18	10-19257	Upper shield attach bracket
19	10-19398	Intake hitch w/shield, bushing, grease fitting
20	10-19442	Clevis, less bolt
21	10-19149	1" Bushing
22	10-19222	Press-in grease fitting
23	10-19324	Truss support bracket, low
24	10-19326	Single truss cable w/end plate, 29' long
25	10-19331	Eyebolt w/nut
26	10-19332	Truss attach angle
27	10-19411	Strap-on spout
28	10-19315	Upper drive housing
29	10-19321	1" Flangette bearing
30	10-19322	1-1/4" Flangette bearing
31	10-19430	Upper sprocket, 14 tooth
32	10-19431	Lower sprocket, 25 tooth
33	10-19432	Roller chain w/connector
33A	10-19433	Roller chain connector only
34	10-19319	Housing cover
35	10-19339	Axle w/spindles, nuts, cotter pins
36	10-19263	Spindle, weld-on
37	10-19352	Lower reach tube, left
38	10-19353	Lower reach tube, right
39	10-19366	Lower reach frame bundle, as shipped
40	10-19375	crossmember
41	10-19384	Upper lift tube, left or right
42	10-19531	Upper lift bundle as shipped, includes ref. #40
43	10-19264	Seal
44	10-19265	Large bearing, Timken #LM 67048

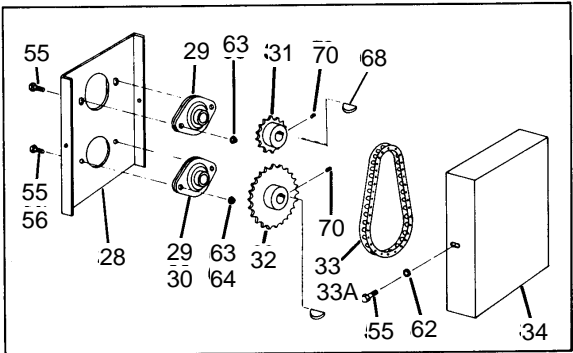


REPLACEMENT SPROCKETS FOR AUGERS WITH PTO-SD DRIVE ARE SHOWN IN SECTION B

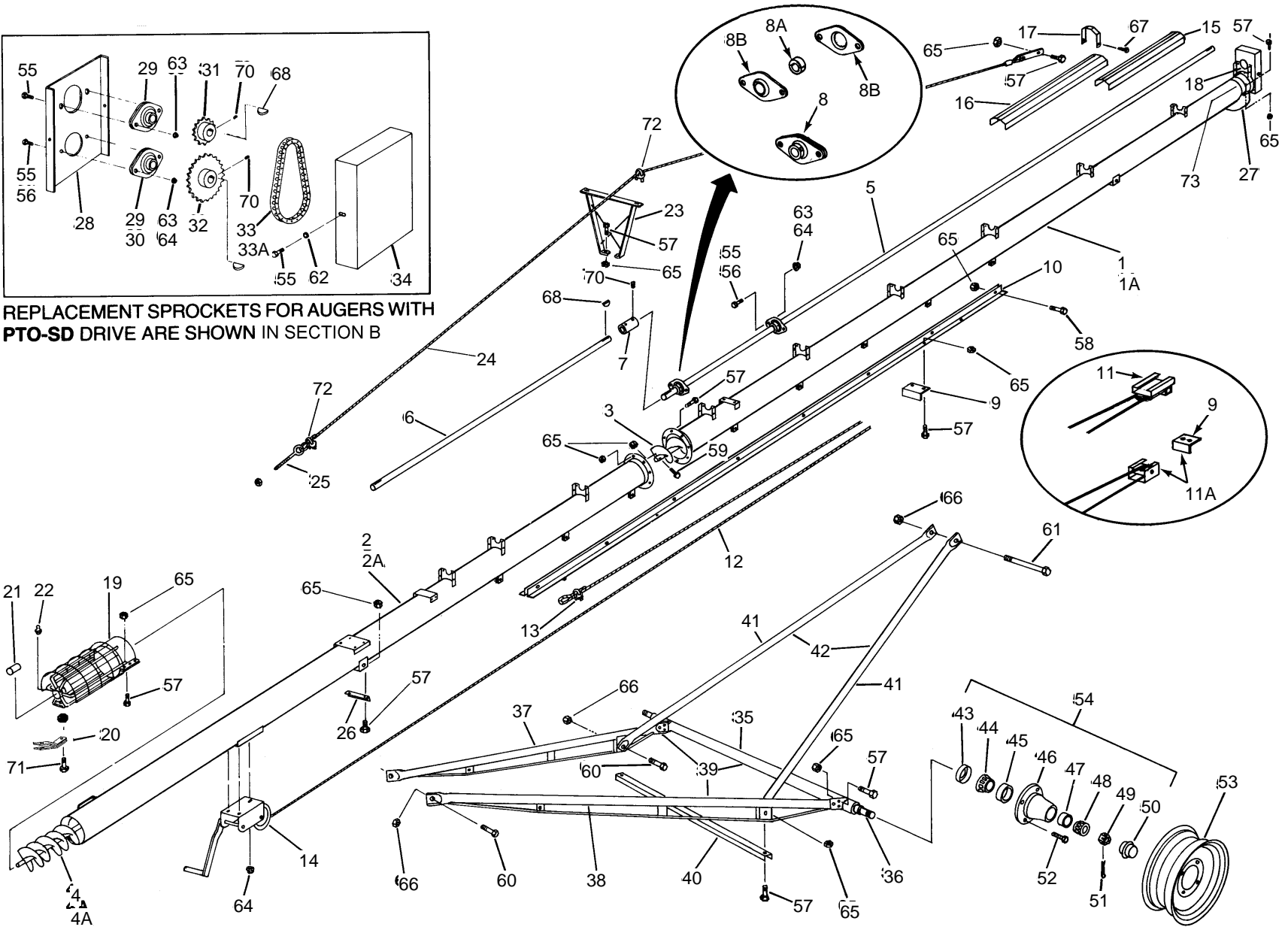


W80-46_BASIC_AUGER

ITEM	PART NO.	DESCRIPTION
45	10-19266	Large cup, Timken #LM 67010
46	10-19267	Hub w/cups
47	10-19268	Small cup, Timken #LM 11910
48	10-19269	Small bearing, Timken #LM 11949
49	10-19270	Slotted nut, 3/4" - 16
50	10-19272	Dust cap
51	10-19271	Cotter pin, 1/8" x 1-1/2"
52	10-19273	Wheel bolt, 1/2" - 20
53	10-19261	15" Wheel, 4 bolt
54	10-19467	Hub assembly, complete
55	10-19538	Bolt, 5/16" - 18 x 3/4", grade 2
56	10-19540	Bolt, 3/8" - 16 x 3/4", grade 2
57	10-19542	Bolt, 7/16" - 14 x 1", grade 5
58	10-19981	Bolt, 7/16" - 14 x 1-3/4", grade 5
59	10-19545	Bolt, 7/16" - 14 x 2-1/4", grade 8
60	10-19590	Bolt, 5/8" - 11 x 1-1/2", grade 5
61	10-19591	Bolt, 5/8" - 11 x 6-1/2", grade 5
62	10-19603	Lockwasher, 5/16"
63	10-19595	Washer locknut, 5/16" - 18
64	10-19596	Washer locknut, 3/8" - 16
65	10-19598	Locknut, 7/16" - 14
66	10-19600	Locknut, 5/8" - 11
67	10-19274	Self-tapping screw, #14 x 5/8", w/washerhead (not shown)
68	10-19224	Woodruff key, 1/4" x 1"
69	10-19608	set screw 5/16" - 18 x 3/8"
70	10-19225	Set screw, 3/8" - 16 x 3/8"
71	10-19991	Bolt, 5/8" - 11 x 2", grade 5
72	10-19333	Cable clamp, 5/16"
73	10-19460	Tube half band
74	10-19686	Basic carton

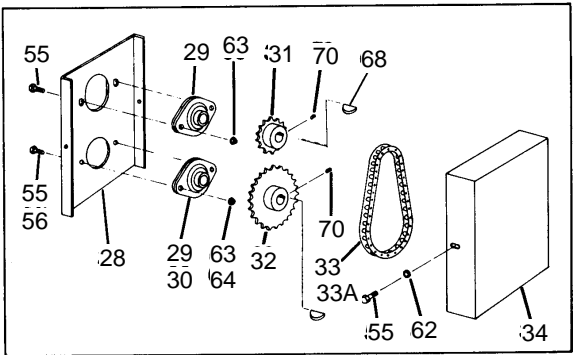


REPLACEMENT SPROCKETS FOR AUGERS WITH PTO-SD DRIVE ARE SHOWN IN SECTION B

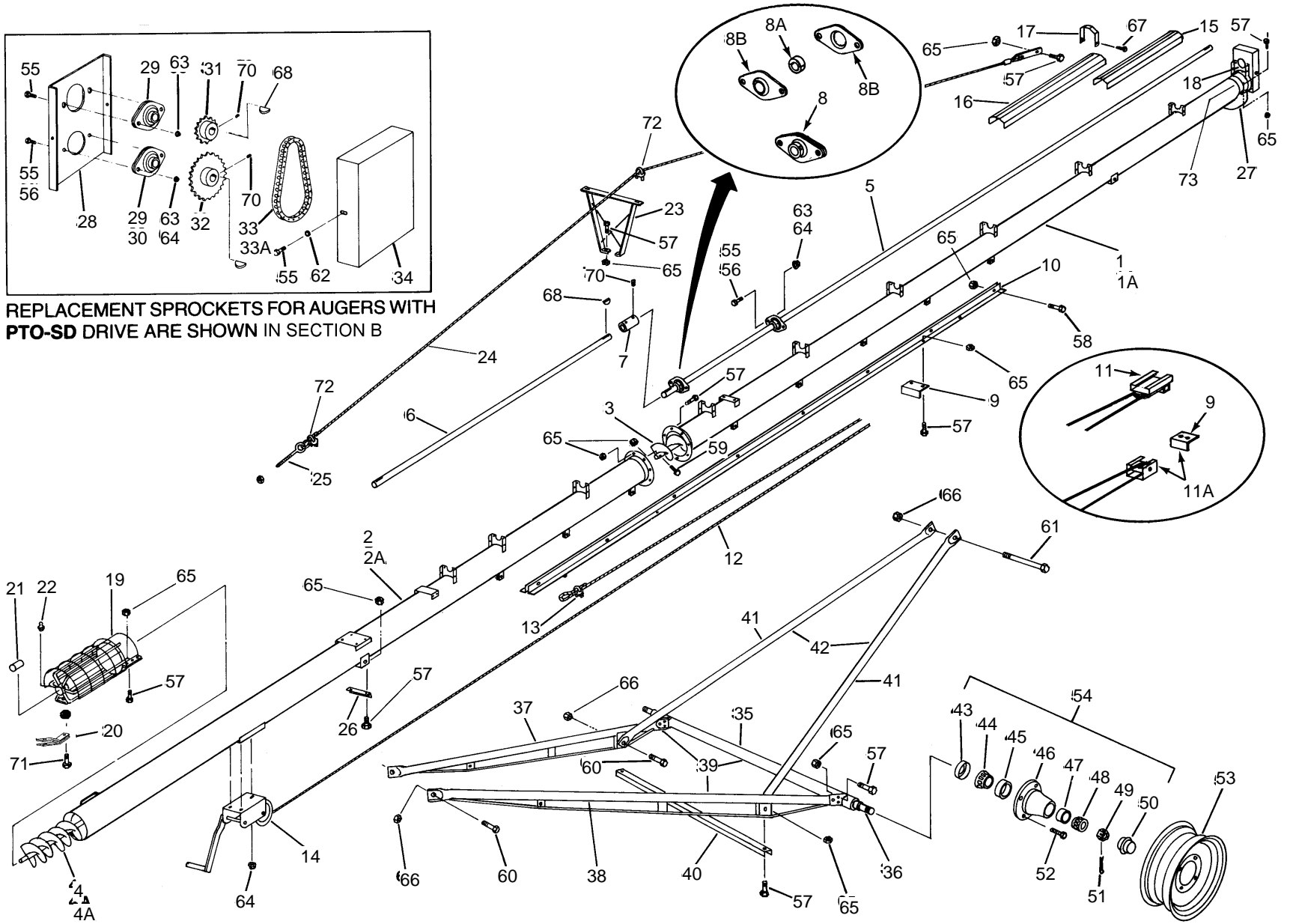


W60-51_BASIC_AUGER

ITEM	PART NO.	DESCRIPTION
1	10-17077	Upper tube sect. w/driveshaft, housing
1A	10-17078	Upper tube bundle, as shipped
2	10-17079	Lower tube section
2A	10-17080	Lower tube bundle, as shipped
3	10-19006	Upper flight section
4	10-17081	Lower flight section
4A	10-19083	24" Weld-on crimped intake flight
5	10-19207	Upper driveshaft, 23' 6" long
6	10-19239	Lower driveshaft, 9' 10" long
7	10-19119	Driveshaft connector
8A	10-18692	1" split hardwood bearing, (2 halves)
8B	10-18694	1" bearing flange, single, 2 bolt
8	10-19243	1" ball bearing w/set screws, flanges
9	10-18762	Angle track stop only
10	10-19258	Bolt-on track
11A	10-17071	Roller track shoe (replaces #19137)
11	10-19137	Slider track shoe (N/A replc'd by 17071)
12	10-19250	1/4" Cable, 46' long
13	10-19147	1/4" Cable clamp
14	10-19152	Winch, 5:1 ratio
15	10-19254	Driveshaft shield, 42" long
16	10-19255	Driveshaft shield, 48" long
17	10-19256	Shield tie-down strap
18	10-19257	Upper shield attach bracket
19	10-19019	Intake hitch w/shield, bushing
20	10-19442	Clevis, less bolt
21	10-19149	1" Bushing
22	10-19222	Press-in grease fitting
23	10-19324	Truss support bracket, low
24	10-19327	Single truss cable w/end plate, 32' 6" lg.
25	10-19331	Eyebolt w/nut
26	10-19332	Truss attach angle
27	10-17070	Strap-on spout
28	10-19313	Upper drive housing
29	10-19321	1" Flangette bearing
31	10-19131	Upper sprocket, 14 tooth
32	10-19132	Lower sprocket, 25 tooth
33	10-19015	Roller chain w/connector
33A	10-19134	Roller chain connector only
34	10-19317	Housing cover
35	10-19340	Axle w/spindles, nuts, cotter pins
36	10-19263	Spindle, weld-on
37	10-19354	Lower reach tube, left
38	10-19355	Lower reach tube, right
39	10-19367	Lower reach frame bundle as shipped
40	10-19376	crossmember
41	10-19522	Upper lift tube, left or right
42	10-19532	Upper lift bundle, as shipped, ref. #40
43	10-19264	Seal
44	10-19265	Large bearing, Timken #LM 67048

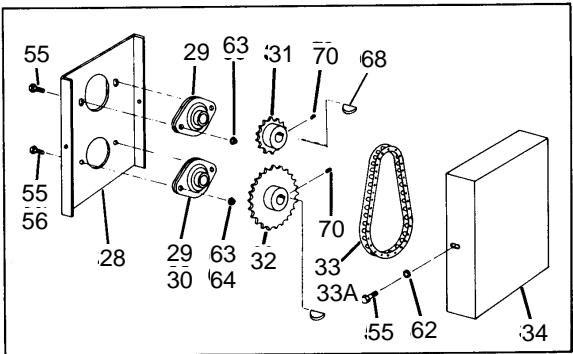


REPLACEMENT SPROCKETS FOR AUGERS WITH PTO-SD DRIVE ARE SHOWN IN SECTION B

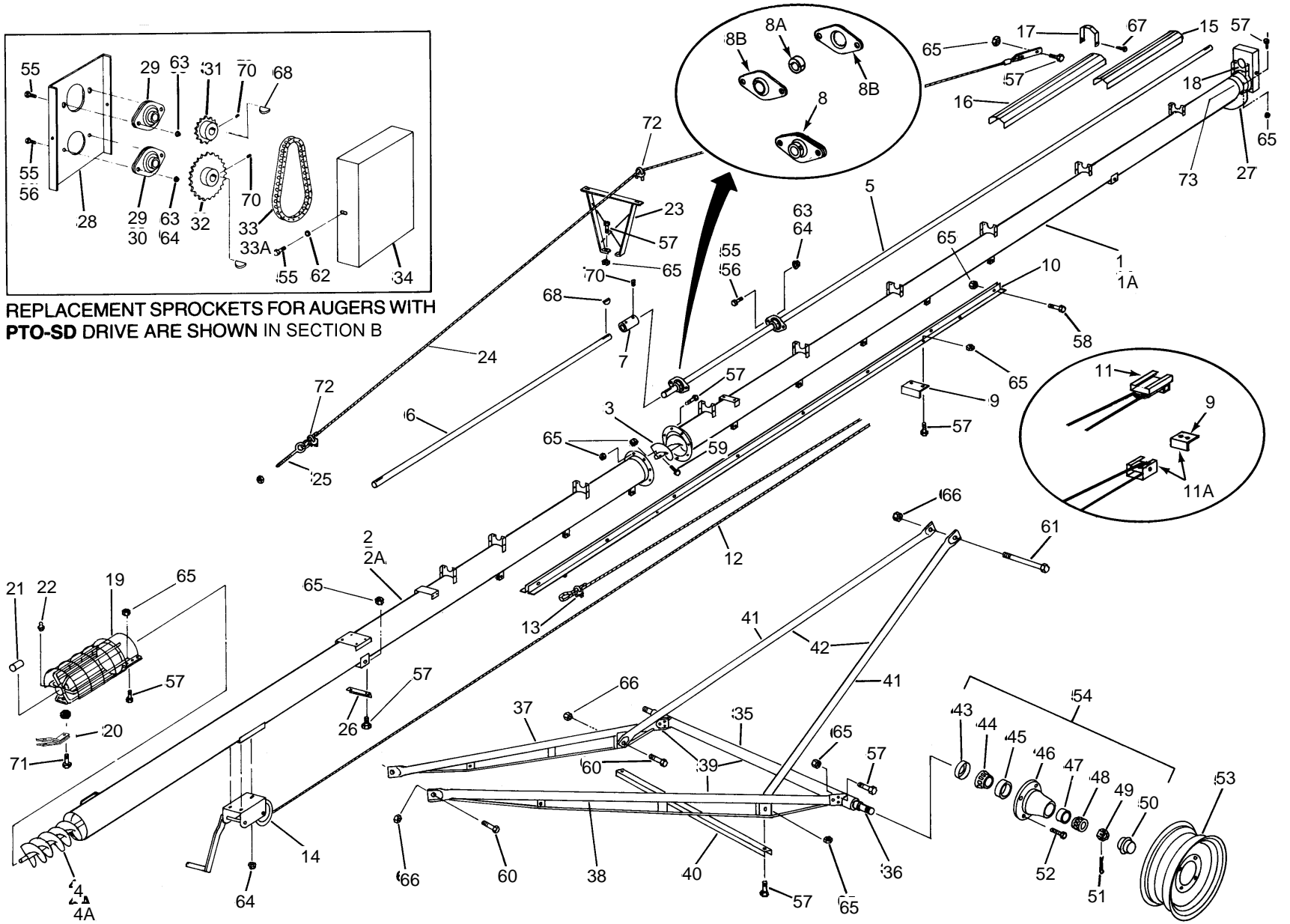


W60-51_BASIC_AUGER

ITEM	PART NO.	DESCRIPTION
45	10-19266	Large cup, Timken #LM 67010
46	10-19267	Hub w/cups
47	10-19268	Small cup, Timken #LM 11910
48	10-19269	Small bearing, Timken #LM 11949
49	10-19270	Slotted nut, 3/4" - 16
50	10-19272	Dust cap
51	10-19271	Cotter pin, 1/8" x 1-1/2"
52	10-19273	Wheel bolt, 1/2" - 20
53	10-19261	15" Wheel, 4 bolt
54	10-19467	Hub assembly, complete
55	10-19538	Bolt, 5/16" - 18 x 3/4", grade 2
57	10-19542	Bolt, 7/16" - 14 x 1", grade 5
58	10-19981	Bolt, 7/16"- 4 x 1-3/4", grade 5
60	10-19590	Bolt, 5/8" - 11 x 1-1/2", grade 5
61	10-19591	Bolt, 5/8" - 11 x 6-1/2" grade 5
62	10-19603	Lockwasher, 5/16"
63	10-19595	Washer locknut, 5/16" - 18
64	10-19596	Washer locknut, 3/8" - 16
65	10-19598	Locknut, 7/16" - 14
66	10-19600	Locknut, 5/8" - 11
67	10-19274	Self-tapping screw, #14, 5/8"
68	10-19224	Woodruff key, 1/4" x 1"
69	10-19608	set screw 5/16" - 18 x 3/8"
70	10-19225	Set screw, 3/8" - 16 x 3/8"
71	10-19991	Bolt, 5/8" - 11 x 2", grade 5
72	10-19333	Cable clamp, 5/16"
73	10-19022	Tube half band
74	10-17082	Basic carton

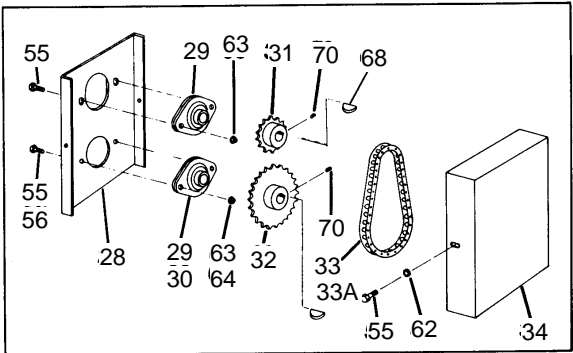


REPLACEMENT SPROCKETS FOR AUGERS WITH PTO-SD DRIVE ARE SHOWN IN SECTION B

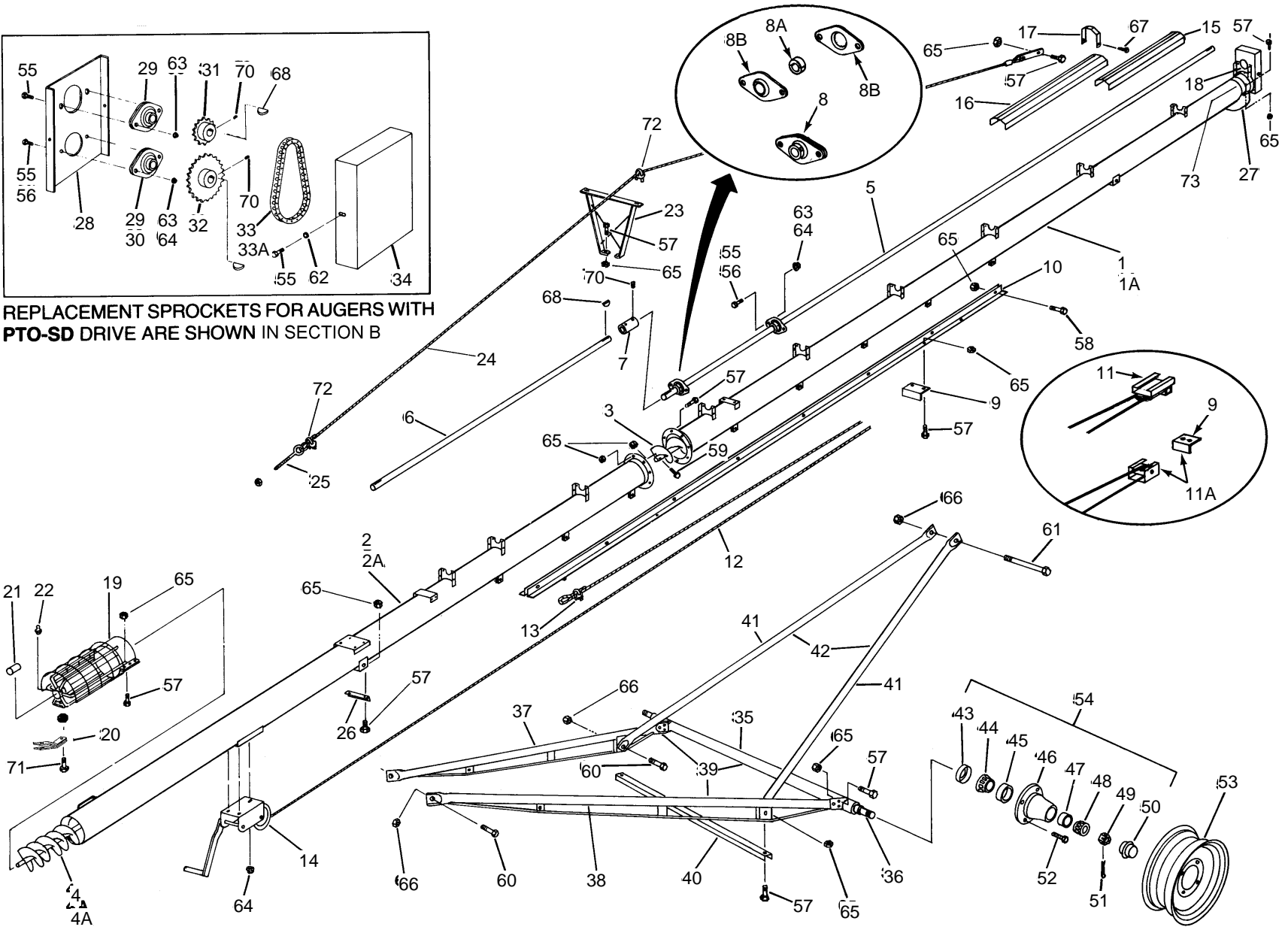


W70-51_BASIC_AUGER

ITEM	PART NO.	DESCRIPTION
1	10-19043	Upper tube sect. w/driveshaft, housing
1A	10-19072	Upper tube bundle, as shipped
2	10-19047	Lower tube section
2A	10-19076	Lower tube bundle, as shipped
3	10-19105	Upper flight section
4A	10-19084	24" Weld-on crimped intake flight
4	10-19115	Lower flight section
5	10-19207	Upper driveshaft, 23' 6" long
6	10-19239	Lower driveshaft, 9' 10" long
7	10-19119	Driveshaft connector
8A	10-18692	1" split hardwood bearing, (2 halves)
8B	10-18694	1" bearing flange, single, 2 bolt
8	10-19243	1" ball bearing w/set screws, flanges
9	10-18762	Angle track stop only
10	10-19258	Bolt-on track
11A	10-17071	Roller track shoe (replaces #19137)
11	10-19137	Slider track shoe (N/A replc'd by 17071)
12	10-19250	1/4" Cable, 46' long
13	10-19147	1/4" Cable clamp
14	10-19152	Winch, 5:1 ratio
15	10-19254	Driveshaft shield, 42" long
16	10-19255	Driveshaft shield, 48" long
17	10-19256	Shield tie-down strap
18	10-19257	Upper shield attach bracket
19	10-19192	Intake hitch w/shield, bushing
20	10-19442	Clevis, less bolt
21	10-19149	1" Bushing
22	10-19222	Press-in grease fitting
23	10-19324	Truss support bracket, low
24	10-19327	Single truss cable w/end plate, 32' 6" lg.
25	10-19331	Eyebolt w/nut
26	10-19332	Truss attach angle
27	10-19193	Strap-on spout
28	10-19314	Upper drive housing
29	10-19321	1" Flangette bearing
31	10-19131	Upper sprocket, 14 tooth
32	10-19132	Lower sprocket, 25 tooth
33	10-19133	Roller chain w/connector
33A	10-19134	Roller chain connector only
34	10-19318	Housing cover
35	10-19340	Axle w/spindles, nuts, cotter pins
36	10-19263	Spindle, weld-on
37	10-19354	Lower reach tube, left
38	10-19355	Lower reach tube, right
39	10-19367	Lower reach frame bundle as shipped
40	10-19376	crossmember
41	10-19522	Upper lift tube, left or right
42	10-19532	Upper lift bundle, as shipped, ref. #40
43	10-19264	Seal
44	10-19265	Large bearing, Timken #LM 67048

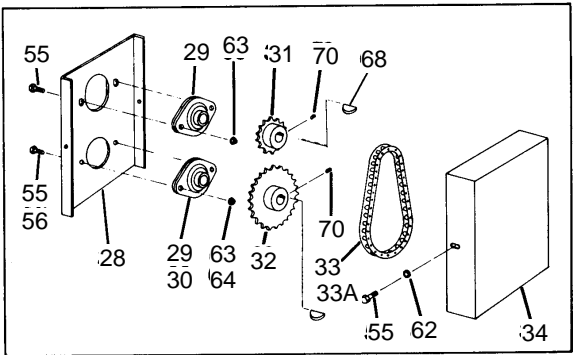


REPLACEMENT SPROCKETS FOR AUGERS WITH PTO-SD DRIVE ARE SHOWN IN SECTION B

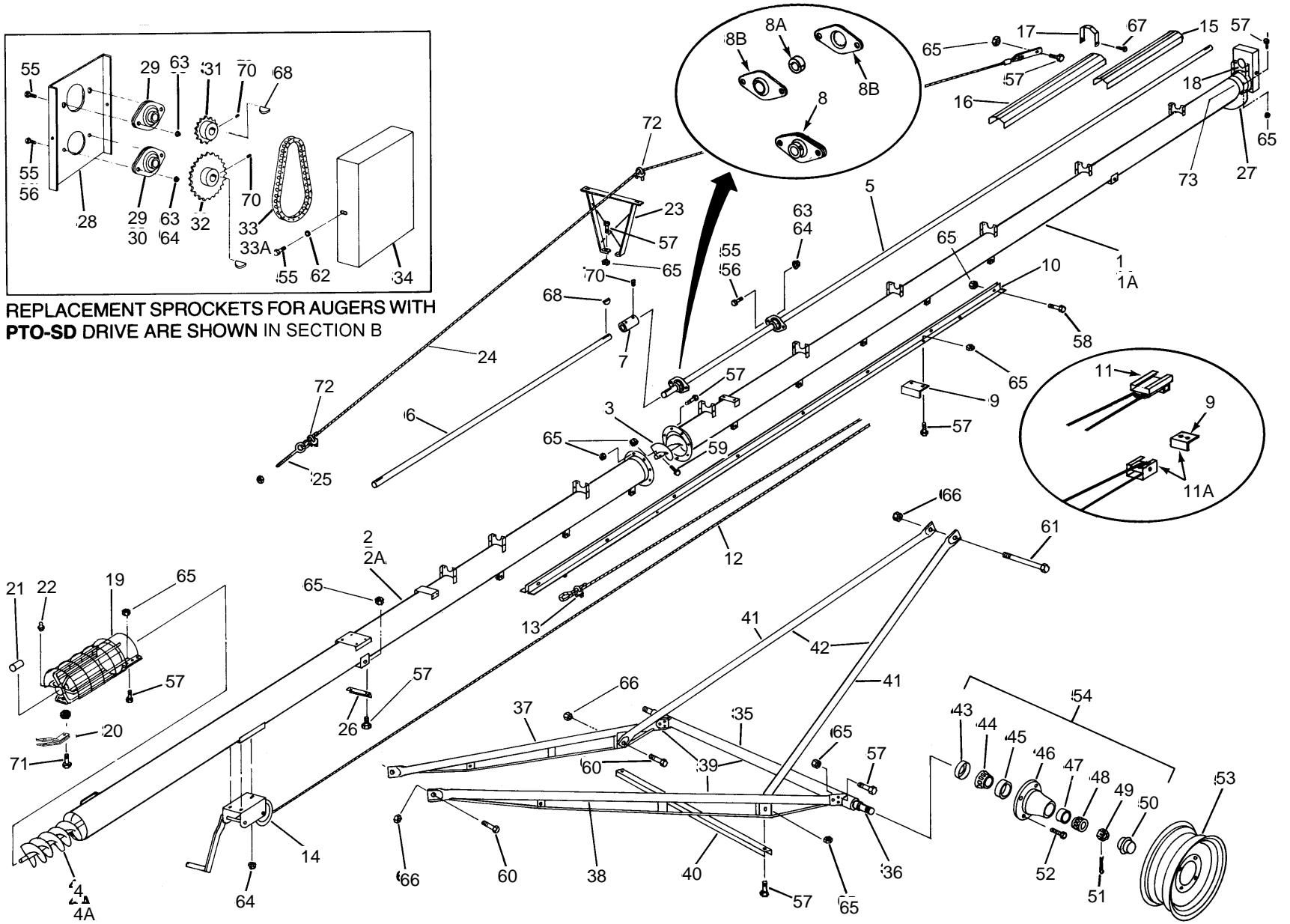


W70-51_BASIC_AUGER

ITEM	PART NO.	DESCRIPTION
45	10-19266	Large cup, Timken #LM 67010
46	10-19267	Hub w/cups
47	10-19268	Small cup, Timken #LM 11910
48	10-19269	Small bearing, Timken #LM 11949
49	10-19270	Slotted nut, 3/4" - 16
50	10-19272	Dust cap
51	10-19271	Cotter pin, 1/8" x 1-1/2"
52	10-19273	Wheel bolt, 1/2" - 20
53	10-19261	15" Wheel, 4 bolt
54	10-19467	Hub assembly, complete
55	10-19538	Bolt, 5/16" - 18 x 3/4", grade 2
57	10-19542	Bolt, 7/16" - 14 x 1", grade 5
58	10-19981	Bolt, 7/16"- 4 x 1-3/4", grade 5
60	10-19590	Bolt, 5/8" - 11 x 1-1/2", grade 5
61	10-19591	Bolt, 5/8" - 11 x 6-1/2" grade 5
62	10-19603	Lockwasher, 5/16"
63	10-19595	Washer locknut, 5/16" - 18
64	10-19596	Washer locknut, 3/8" - 16
65	10-19598	Locknut, 7/16" - 14
66	10-19600	Locknut, 5/8" - 11
67	10-19274	Self-tapping screw, #14, 5/8"
68	10-19224	Woodruff key, 1/4" x 1"
69	10-19608	set screw 5/16" - 18 x 3/8"
70	10-19225	Set screw, 3/8" - 16 x 3/8"
71	10-19991	Bolt, 5/8" - 11 x 2", grade 5
72	10-19333	Cable clamp, 5/16"
73	10-19199	Tube half band
74	10-19681	Basic carton

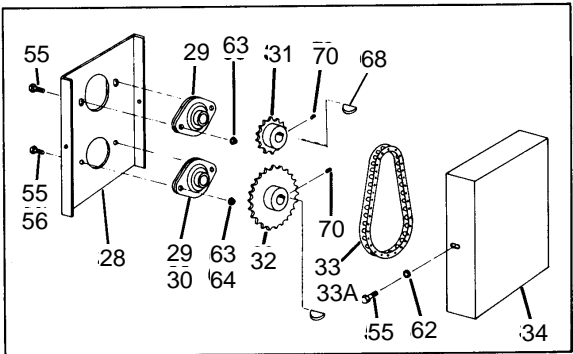


REPLACEMENT SPROCKETS FOR AUGERS WITH PTO-SD DRIVE ARE SHOWN IN SECTION B

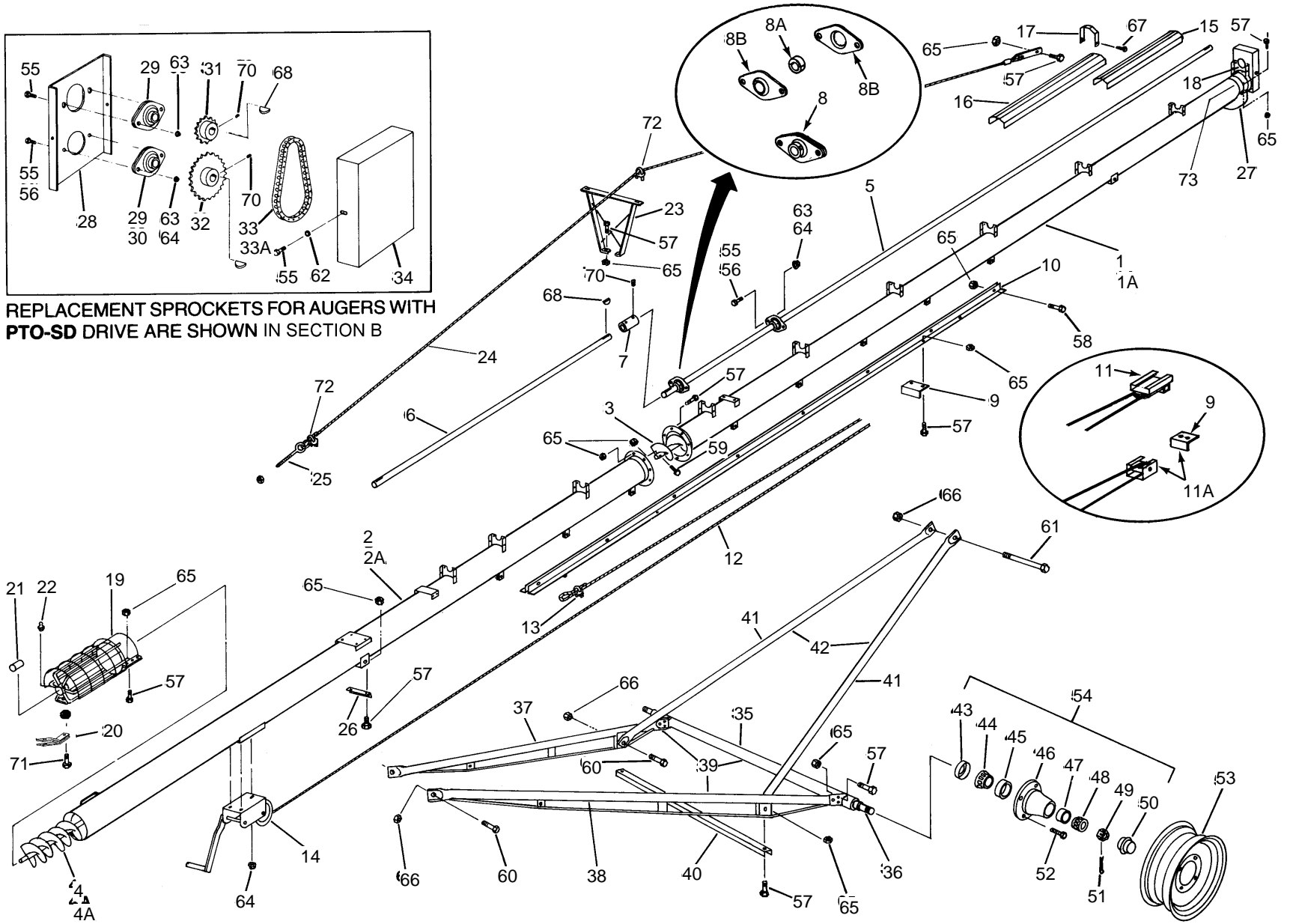


W80-51_BASIC_AUGER

ITEM	PART NO.	DESCRIPTION
1	10-19044	Upper tube sect. w/driveshaft, housing
1A	10-19073	Upper tube bundle, as shipped
2	10-19048	Lower tube section
2A	10-19077	Lower tube bundle, as shipped
3	10-19402	Upper flight section
4A	10-19085	24" Weld-on crimped intake flight
4	10-19410	Lower flight section
5	10-19208	Upper driveshaft, 23' 6" long
7	10-19119	driveshaft connector
8A	10-18693	1-1/4" split hardwood bearing, (2 halves)
8B	10-18695	1-1/4" bearing flange, single, 2 bolt
8	10-19244	1-1/4" ball bearing w/set screws, flanges
9	10-18762	Angle track stop only
10	10-19258	Bolt-on track
11A	10-17071	Roller track shoe (replaces #19137)
11	10-19137	Slider track shoe (N/A replc'd by 17071)
12	10-19250	1/4" Cable, 46' long
13	10-19147	1/4" Cable clamp
14	10-19152	Winch, 5:1 ratio
15	10-19254	Driveshaft shield, 42" long
16	10-19255	Driveshaft shield, 48" long
17	10-19256	Shield tie-down strap
18	10-19257	Upper shield attach bracket
19	10-19398	Intake hitch w/shield, bushing
20	10-19442	Clevis, less bolt
21	10-19149	1" Bushing
22	10-19222	Press-in grease fitting
23	10-19324	Truss support bracket, low
24	10-19327	Single truss cable w/end plate, 32' 6" lg.
25	10-19331	Eyebolt w/nut
26	10-19332	Truss attach angle
27	10-19411	Strap-on spout
28	10-19315	Upper drive housing
29	10-19321	1" Flangette bearing
30	10-19322	1-1/4" Flangette bearing
31	10-19430	Upper sprocket, 14 tooth
32	10-19431	Lower sprocket, 25 tooth
33	10-19432	Roller chain w/connector
33A	10-19433	Roller chain connector only
34	10-19319	Housing cover
35	10-19340	Axle w/spindles, nuts, cotter pins
36	10-19263	Spindle, weld-on
37	10-19354	Lower reach tube, left
38	10-19355	Lower reach tube, right
39	10-19367	Lower reach frame bundle as shipped
40	10-19376	Crossmember
41	10-19522	Upper lift tube, left or right
42	10-19532	Upper lift bundle, as shipped, ref. #40
43	10-19264	Seal
44	10-19265	Large bearing, Timken #LM 67048

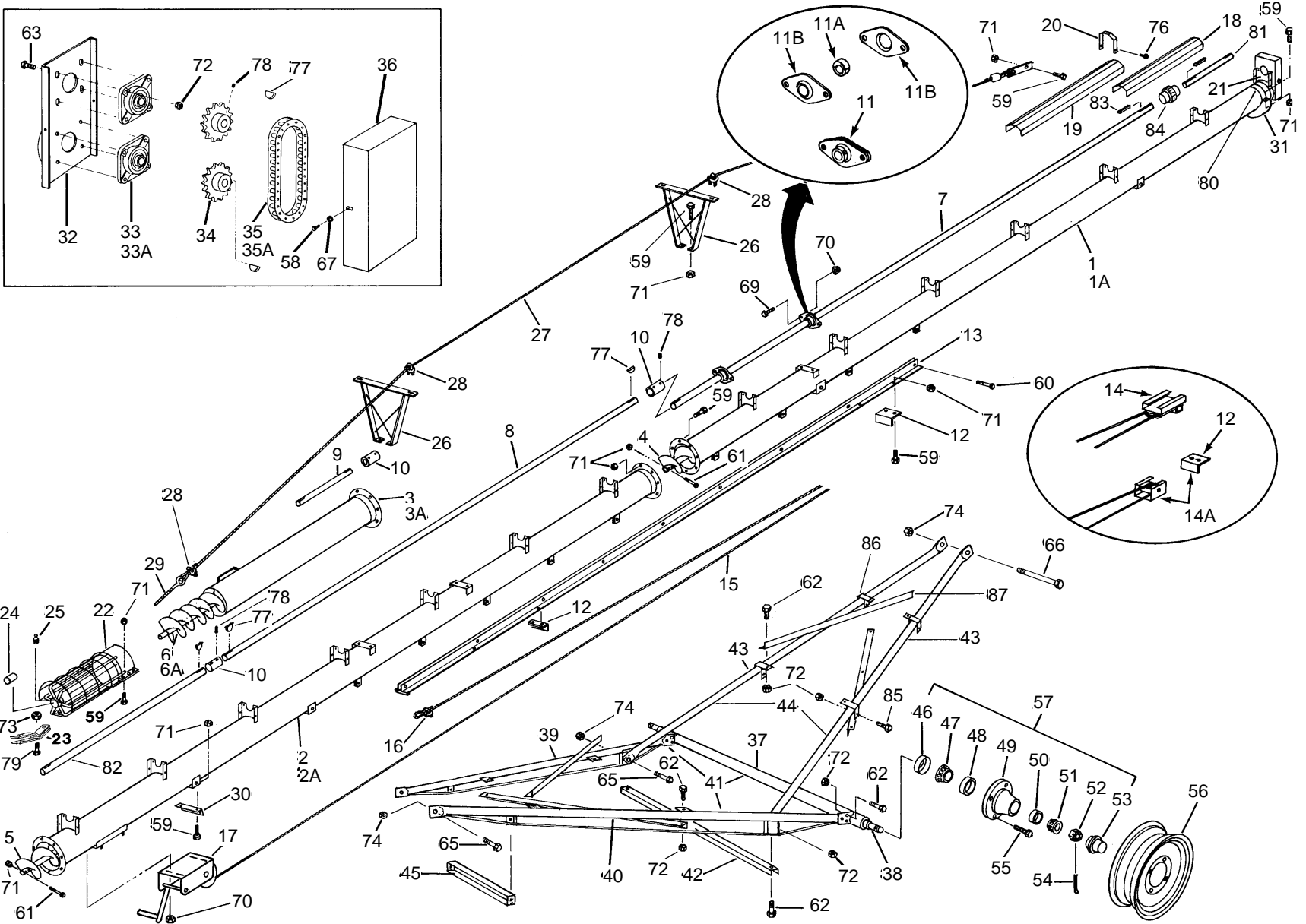


REPLACEMENT SPROCKETS FOR AUGERS WITH PTO-SD DRIVE ARE SHOWN IN SECTION B



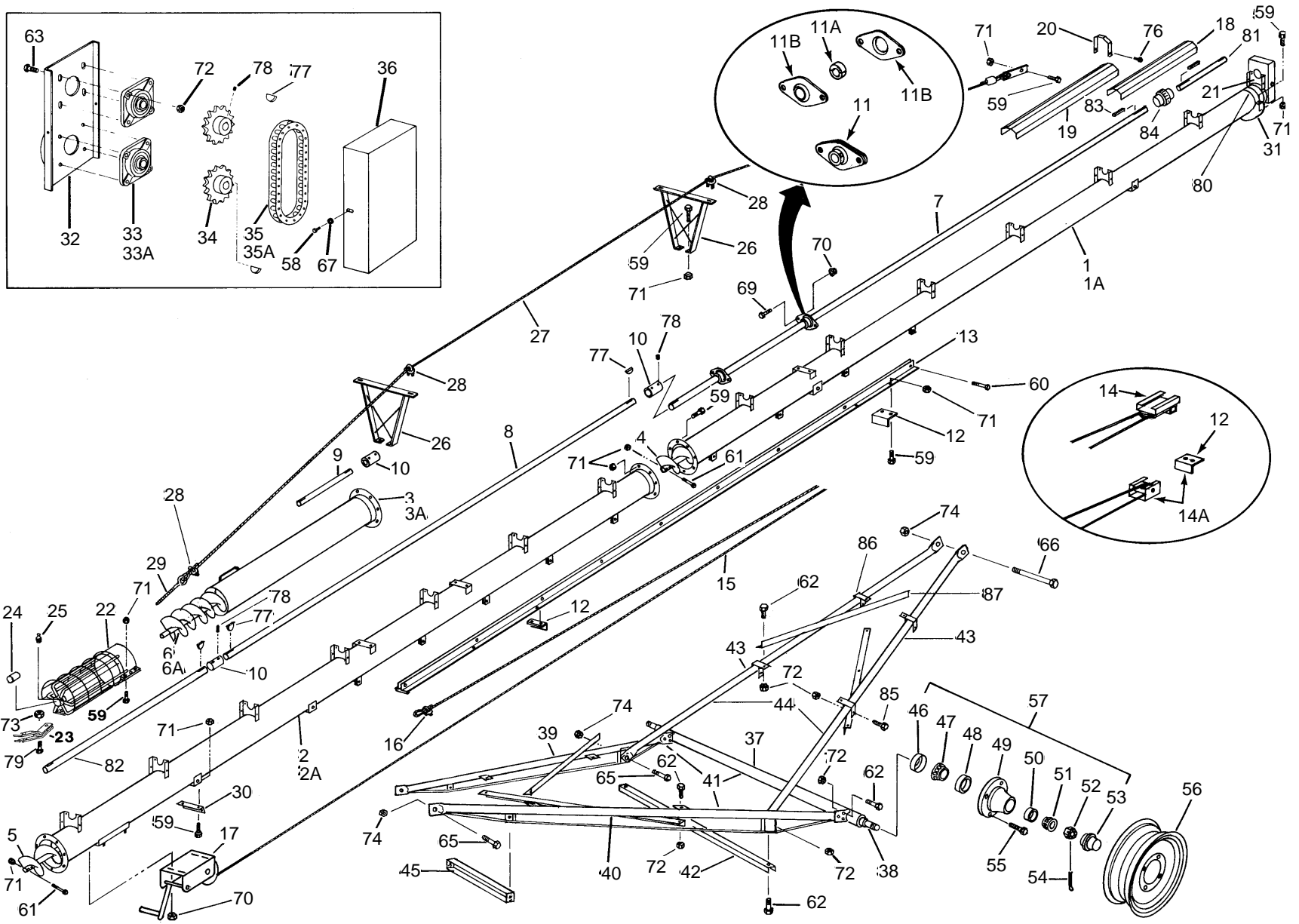
W80-51_BASIC_AUGER

ITEM	PART NO.	DESCRIPTION
45	10-19266	Large cup, Timken #LM 67010
46	10-19267	Hub w/cups
47	10-19268	Small cup, Timken #LM 11910
48	10-19269	Small bearing, Timken #LM 11949
49	10-19270	Slotted nut, 3/4" - 16
50	10-19272	Dust cap
51	10-19271	Cotter pin, 1/8" x 1-1/2"
52	10-19273	Wheel bolt, 1/2" - 20
53	10-19261	15" Wheel, 4 bolt
54	10-19467	Hub assembly, complete
55	10-19538	Bolt, 5/16" - 18 x 3/4", grade 2
56	10-19540	Bolt, 3/8" - 16 x 3/4", grade 2
57	10-19542	Bolt, 7/16" - 14 x 1", grade 5
58	10-19981	Bolt, 7/16"- 4 x 1-3/4", grade 5
59	10-19545	Bolt, 7/16"-14 x 2-1/4" grade 8
60	10-19590	Bolt, 5/8" -11 x 1-1/2", grade 5
61	10-19591	Bolt, 5/8" - 11 x 6-1/2" grade 5
62	10-19603	Lockwasher, 5/16"
63	10-19595	Washer locknut, 5/16" - 18
64	10-19596	Washer locknut, 3/8" - 16
65	10-19598	Locknut, 7/16" - 14
66	10-19600	Locknut, 5/8" - 11
67	10-19274	Self-tapping screw, #14, 5/8"
68	10-19224	Woodruff key, 1/4" x 1"
69	10-19608	set screw 5/16" - 18 x 3/8"
70	10-19225	Set screw, 3/8" - 16 x 3/8"
71	10-19991	Bolt, 5/8" - 11 x 2", grade 5
72	10-19333	Cable clamp, 5/16"
73	10-19460	Tube half band
74	10-19687	Basic carton



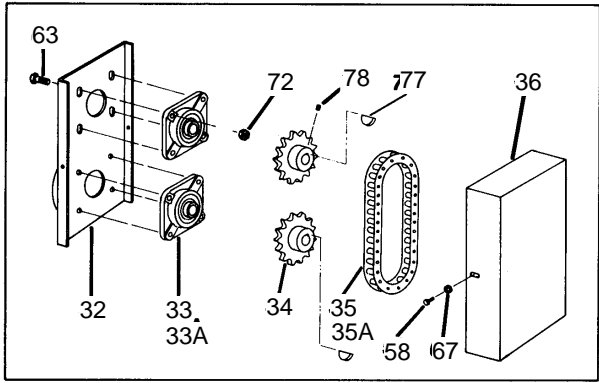
W80-56_BASIC_AUGER

ITEM	PART NO.	DESCRIPTION
1	10-19049	Upper tube section w/driveshaft, housing
1A	10-19078	Upper tube bundle, as shipped
2	10-19050	Center tube section w/driveshaft
2A	10-19079	Center tube bundle, as shipped
3	10-19051	Lower tube section
3A	10-19080	Lower tube bundle, as shipped
4	10-19402	Upper flight section
5	10-19552	Center flight section
6A	10-19085	24" weld-on crimped intake flight
6	10-19393	Lower flight section
7	10-19808	Upper driveshaft, 21' 1" long
8	10-19994	Center driveshaft, 18' 9" long
9	10-19120	Lower driveshaft, 1' 3" long
10	10-19119	Driveshaft connector
11A	10-18693	1-1/4" split hardwood bearing, set of 2 halves
11B	10-18695	1-1/4" bearing flanges, single, 2 bolt
11	10-19244	1-1/4" ball bearing w/set screws, flanges
12	10-18762	Angle track stop only
13	10-19259	Bolt-on track
14A	10-17071	Roller track shoe (replaces #19137)
14	10-19137	Slider track shoe (N/A replaced by 17071)
15	10-19251	1/4" Cable, 59' long
16	10-19147	1/4" Cable clamp
17	10-19569	Winch, 15:1 ratio
18	10-19254	Driveshaft shield, 42" long
19	10-19255	Driveshaft shield 48" long
20	10-19256	Shield tie-down strap
21	10-19773	Upper shield attach bracket
22	10-19398	Intake hitch w/shield, bushing, grease fitting
23	10-19442	Clevis, less bolt
24	10-19149	1" BUSHING
25	10-19222	Press-in grease fitting
26	10-19324	Truss support bracket, low
27	10-19328	Single truss cable w/end plate, 40' 4" long
28	10-19333	5/16" Cable clamp
29	10-19331	Eye bolt w/nut
30	10-19332	Truss attach angle
31	10-19411	Strap-on spout
32	10-19316	Upper drive housing
33A	10-18852	1-1/4" Bearing, less flange
33	10-19567	1-1/4" Bearing, w/4 bolt flange
34	10-19564	Sprocket, 80 B14
35A	10-19323	Roller chain connector only
35	10-19565	Roller chain w/connector
36	10-19320	Housing cover
37	10-19341	Axle w/spindles, nuts, cotter pins
38	10-19263	Spindle, weld-on
39	10-19356	Lower reach tube, left
40	10-19357	Lower reach tube, right
41	10-19368	Lower reach frame bundle as shipped, incl. #87

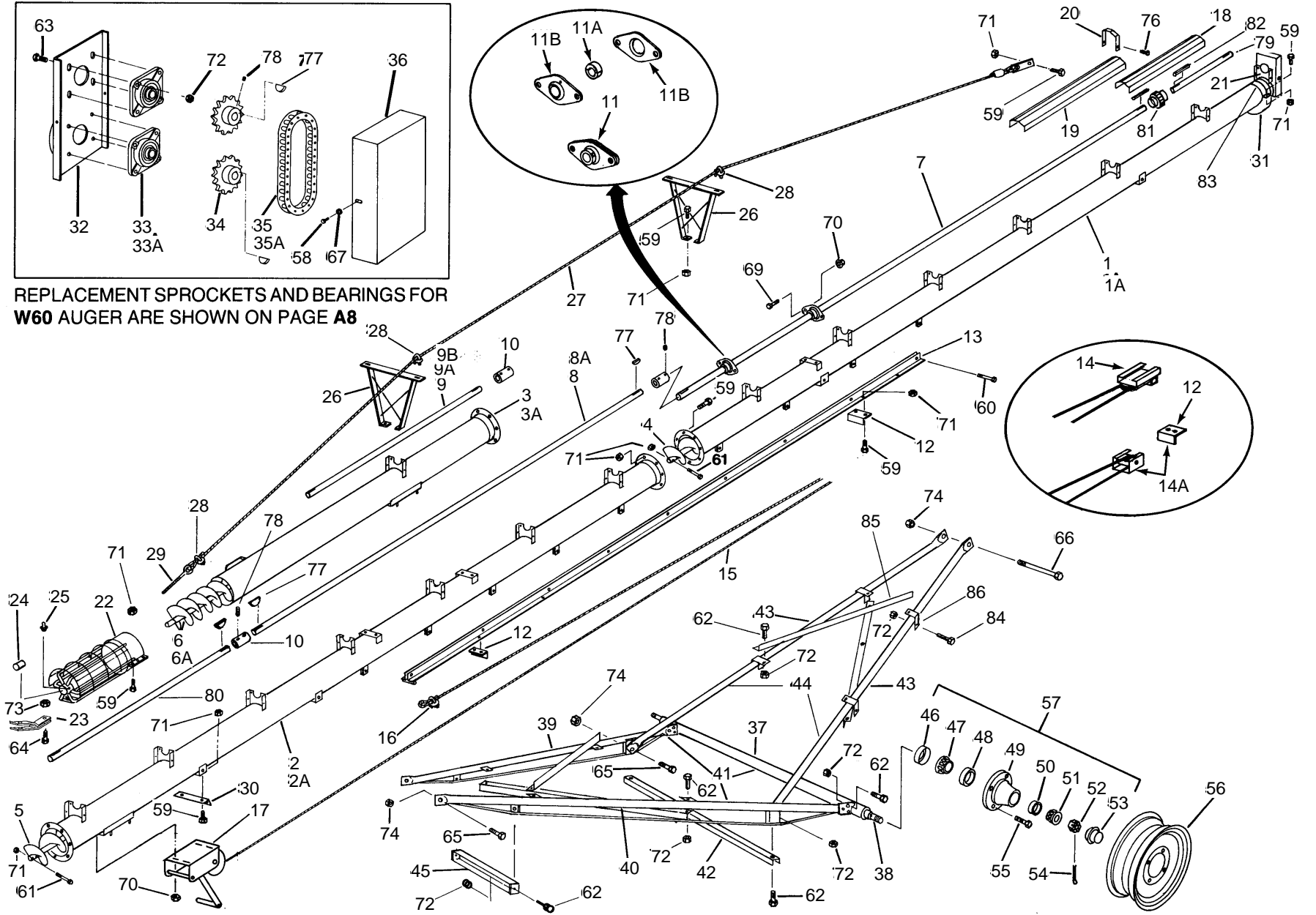


W80-56_BASIC_AUGER

ITEM	PART NO.	DESCRIPTION
42	10-19377	Crossmember
43	10-19523	Upper lift tube left or right
44	10-19533	Upper lift bundle, as shipped, includes Ref. #42
45	10-19536	Short crossmember, 2 bolt
46	10-19264	Seal
47	10-19265	Large bearing, Timken #LM 67048
48	10-19266	Large cup, Timken #LM 67010
49	10-19267	Hub w/cups
50	10-19268	Small cup, Timken #LM 11910
51	10-19269	Small bearing, Timken #LM 11949
52	10-19270	Slotted nut, 3/4" - 16
53	10-19272	Dust cap
54	10-19271	Cotter pin, 1/8" x 1-1/2"
55	10-19273	Wheel bolt, 1/2" - 20 x 1"
56	10-19261	Wheel, 15", 4 bolt
57	10-19467	Hub assembly, complete
58	10-19538	Bolt, 5/16" - 18 x 3/4", grade 2
59	10-19542	Bolt, 7/16" - 14 x 1", grade 5
60	10-19981	Bolt, 7/16" - 14 x 1-3/4", grade 5
61	10-19545	Bolt, 7/16" - 14 x 2-1/4", grade 8
62	10-19588	Bolt, 1/2" - 13 x 1-1/4", grade5
63	10-19589	Bolt, 1/2" - 13 x 1-1/2", grade 2
64	10-19590	bolt, 5/8" - 11 x 1-1/2", grade 5
65	10-19592	Bolt, 3/4" - 10 x 2", grade 5
66	10-19593	Bolt, 3/4" - 10 x 6-1/2", grade5
67	10-19603	Lockwasher, 5/16"
69	10-19540	Bolt, 3/8" - 16 x 3/4", grade 2
70	10-19596	Washer-locknut, 3/8" - 16
71	10-19598	Locknut, 7/16" - 14
72	10-19599	Locknut, 1/2" - 13
73	10-19600	Locknut, 5/8" - 11
74	10-19601	Locknut, 3/4" - 10
75	10-19602	hex nut, 1/2" - 13
76	10-19274	self-tapping screw, #14 x 5/8", w/washerhead
77	10-19224	Woodruff key, 1/4" x 1"
78	10-19225	Set screw, 3/8" - 16 x 3/8"
79	10-19991	Bolt, 5/8" - 11 x 2", grade 5
80	10-19460	Tube halfband
81	10-19807	Upper driveshaft, 4' 0" section
82	10-19419	Center driveshaft, 6' 4" section
83	10-19606	Square key, 1/4" x 1-1/2"
84	10-19771	Chain flex connector
85	10-19799	Bolt, 1/2" - 13 x 4-1/2", grade 2
86	10-19797	Tube clamp
87	10-19796	Single crossbrace
88	10-19688	Basic carton

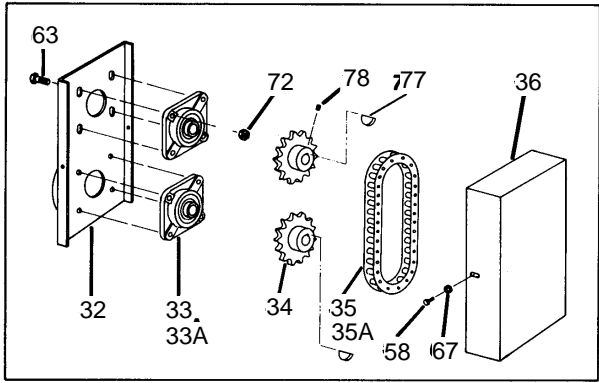


REPLACEMENT SPROCKETS AND BEARINGS FOR W60 AUGER ARE SHOWN ON PAGE A8

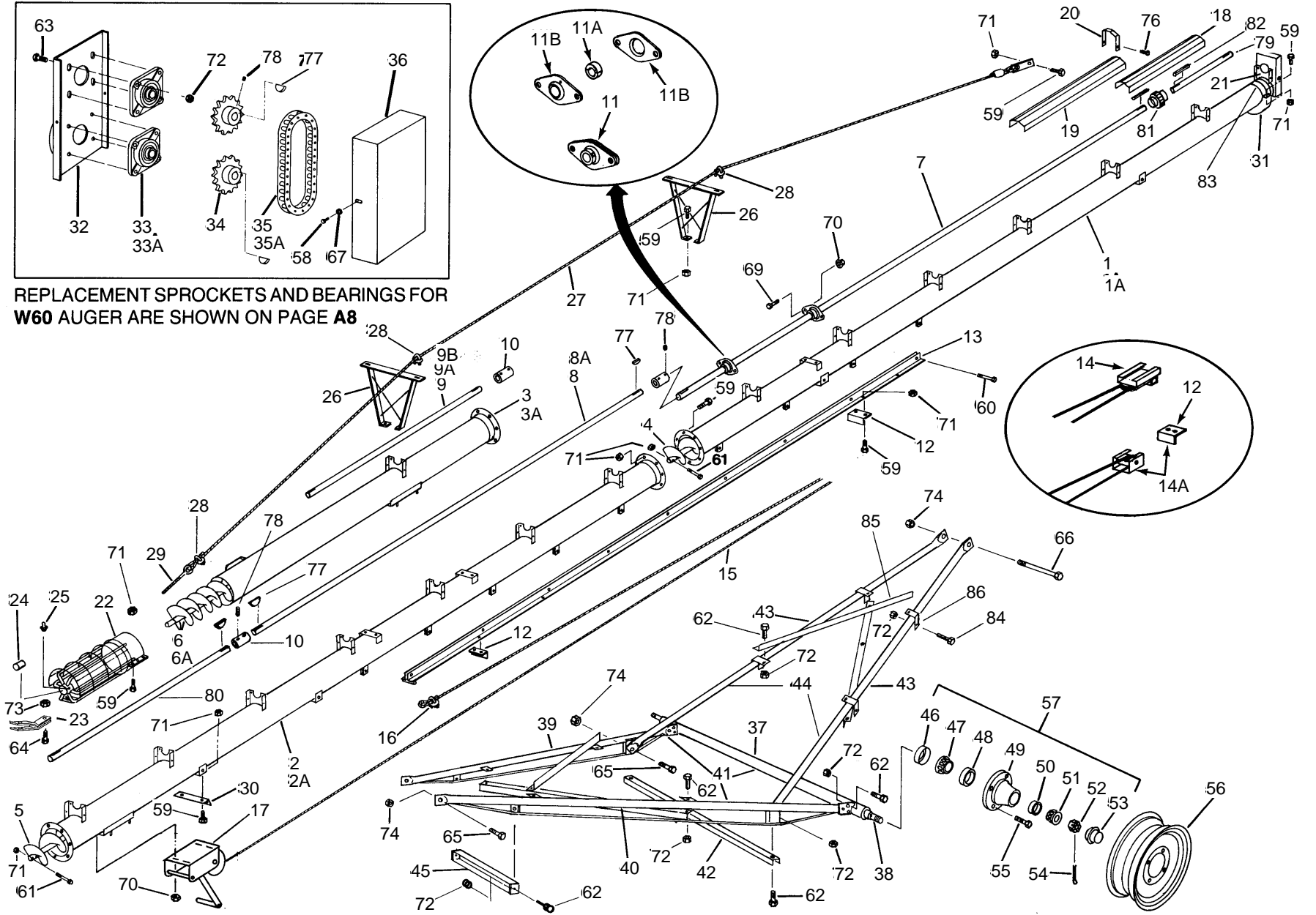


W60-61_BASIC_AUGER

ITEM	PART NO.	DESCRIPTION
1	10-17085	Upper tube section w/driveshaft, housing
1A	10-17086	Upper tube bundle, as shipped
2	10-17087	Center tube section w/driveshaft
2A	10-17088	Center tube bundle, as shipped
3	10-17089	Lower tube section
3A	10-17090	Lower tube bundle, as shipped
4	10-19006	Upper flight section
5	10-17091	Center flight section
6	10-19011	Lower flight section
6A	10-19083	24" Weld-on crimped intake flight
7	10-19207	Upper driveshaft, 21' 1" section (W60-23' 6")
8A	10-19239	Center driveshaft, 9' 10" long
9B	10-17083	Lower driveshaft, 5' 9-1/4", long
9A	10-19238	Lower driveshaft, 6' 2-1/2", long
10	10-19119	Driveshaft connector
11A	10-18692	1" split hardwood bearing, set of 2 halves
11B	10-18694	1" bearing flange, single, 2 bolt
11	10-19243	1" ball bearing w/set screws, flanges
12	10-18762	Angle track stop only
13	10-19259	Bolt-on track
14A	10-17071	Roller track shoe (replaces #19137
14	10-19137	Slider track shoe (N/A replaced by 17071)
15	10-19252	1/4" Cable, 61' 6" long
16	10-19147	1/4" Cable clamp
17	10-19152	Winch
18	10-19254	Driveshaft shield, 42" long
19	10-19255	Driveshaft shield, 48" long
20	10-19256	Shield tie-down strap
21	10-19257	Upper shield attach bracket
22	10-19019	Intake hitch w/shield, bushing, grease fitting
23	10-19442	Clevis, less bolt
24	10-19149	1" Bushing
25	10-19222	Press-in grease fitting
26	10-19324	Truss support bracket
27	10-17084	Single truss cable w/end plate
28	10-19333	5/16" Cable clamp
29	10-19331	Eyebolt w/nut
30	10-19332	Truss attach angle
31	10-17070	Strap-on spout
32	10-19313	Upper drive housing
35	10-19015	Roller chain w/connector
35A	10-19134	Roller chain connector only
36	10-19317	Housing cover
37	10-19342	Axle w/spindles, nuts cotter pins
38	10-19263	Spindle, weld-on
39	10-19358	Lower reach tube, left
40	10-19359	Lower reach tube, right
41	10-19369	Lwr reach frame bundle as shipped, incl. #85
42	10-19378	crossmember
43	10-19524	Upper lift tube, left or right

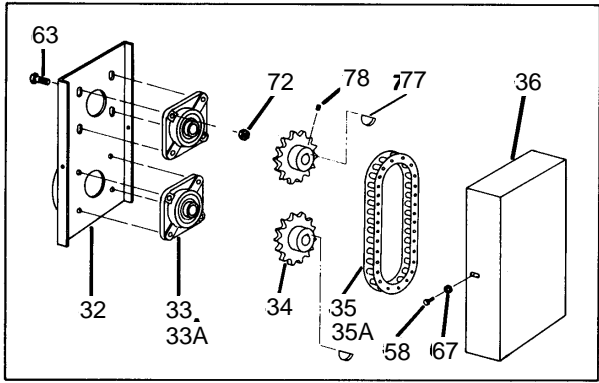


REPLACEMENT SPROCKETS AND BEARINGS FOR W60 AUGER ARE SHOWN ON PAGE A8

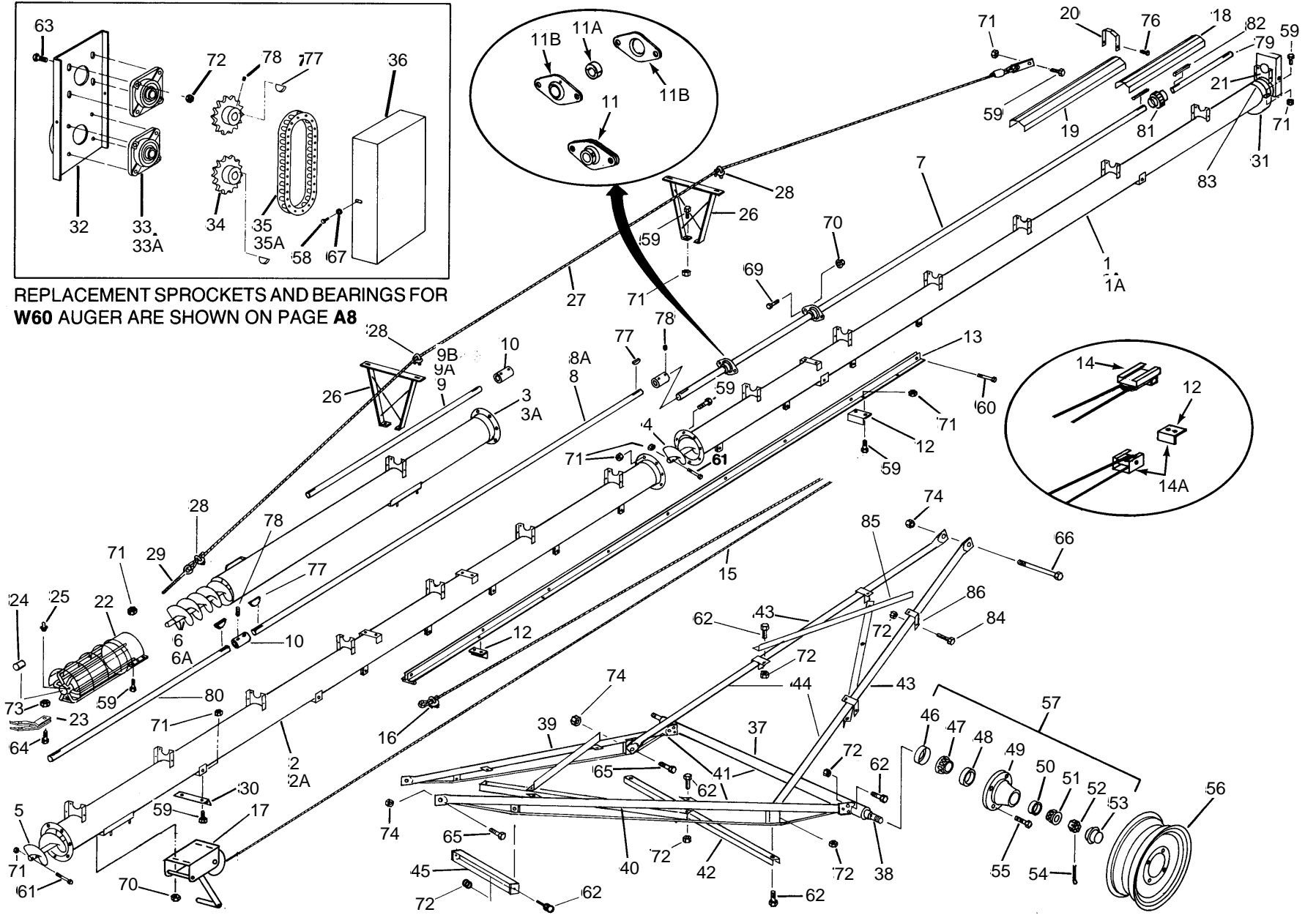


W60-61_BASIC_AUGER

ITEM	PART NO.	DESCRIPTION
44	10-19534	Upper lift bundle, as shipped, (incl. Ref. #42)
45	10-19536	Short crossmember, 2 bolt
46	10-19264	Seal
47	10-19265	Large bearing, Timken #LM 67048
48	10-19266	Large cup, Timken #LM 67010
49	10-19267	Hub w/cups
50	10-19268	Small cup, Timken #LM 11910
51	10-19269	Small bearing, Timken #LM 11949
52	10-19270	Stoned nut, 3/4" - 16
53	10-19272	Dust cap
54	10-19271	Cotter pin, 1/8" x 1-1/2"
55	10-19273	Wheel bolt, 1/2" - 20 x 1"
56	10-19261	Wheel, 15", 4 bolt
57	10-19467	Hub assembly, complete
58	10-19538	Bolt, 5/16" - 18 x 3/4", grade 2
59	10-19542	Bolt, 7/16" - 14 x 1", grade 5
60	10-19981	Bolt, 7/16" - 14 x 1-3/4", grade 5
62	10-19588	Bolt, 1/2" - 13 x 1-1/4", grade 5
64	10-19991	Bolt, 5/8" - 11 x 2", grade 5
65	10-19592	Bolt, 3/4" - 10 x 2", grade 5
66	10-19593	Bolt, 3/4" - 10 x 6-1/2", grade 5
67	10-19603	Lockwasher, 5/16"
68	10-19605	lockwasher, 1/2"
71	10-19598	Locknut, 7/16" - 14
72	10-19599	Locknut, 1/2" - 13
73	10-19600	Locknut, 5/8" - 11
74	10-19601	Locknut, 3/4" - 10
76	10-19274	self-tapping screw, #14 x 5/8", w/washerhead
77	10-19224	Woodruff key, 1/4" x 1"
78	10-19225	Set screw, 3/8" - 16 x 3/8"
83	10-19022	Tube half band
84	10-19799	Bolt, 1/2" - 13 x 4-1/2", grade 2
85	10-19796	Single crossbrace
86	10-19797	Tube clamp
87	10-17092	Basic carton

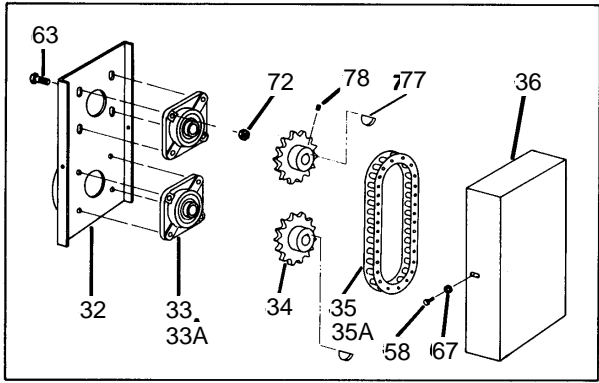


REPLACEMENT SPROCKETS AND BEARINGS FOR W60 AUGER ARE SHOWN ON PAGE A8

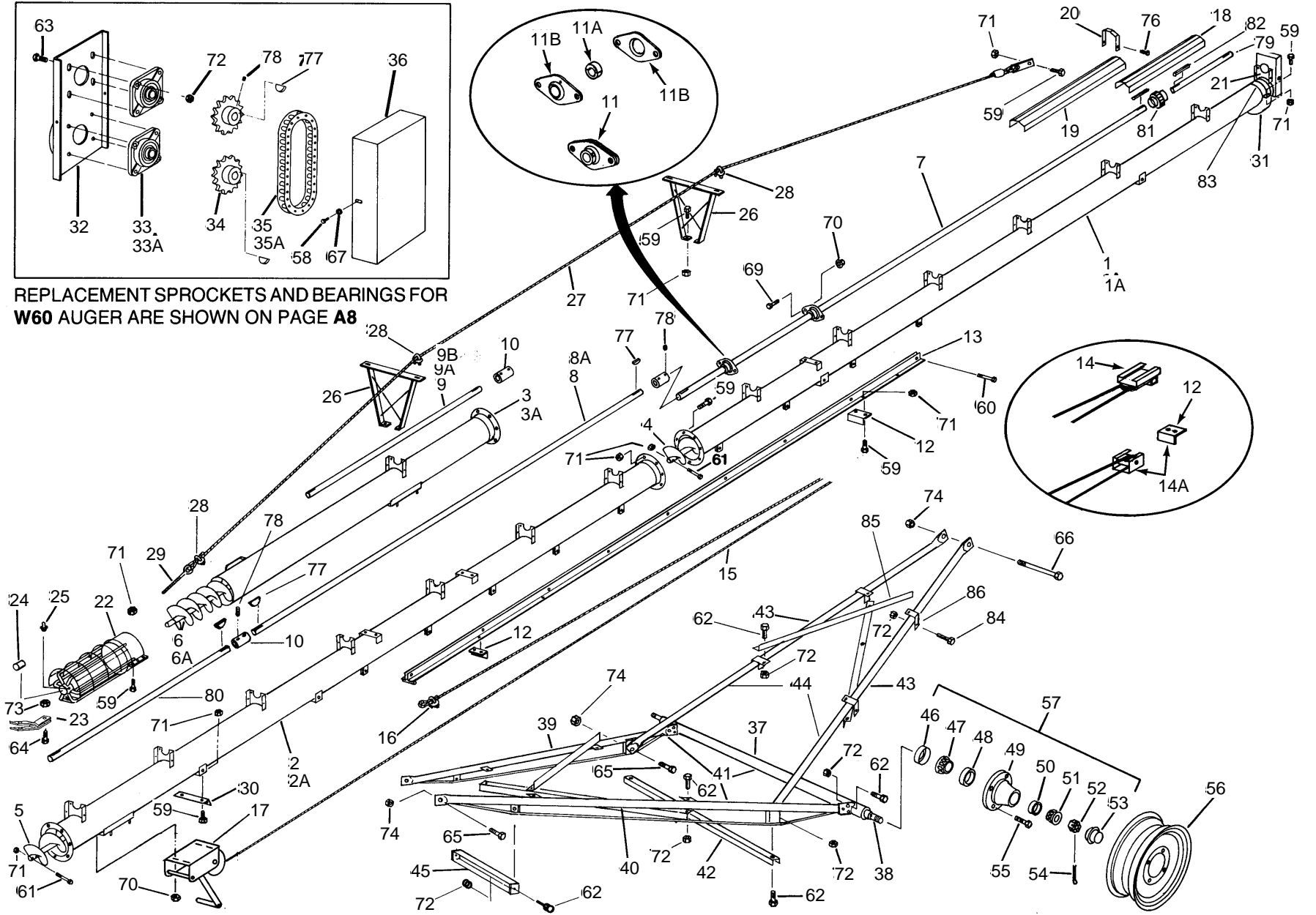


W80-61_BASIC_AUGER

ITEM	PART NO.	DESCRIPTION
1	10-19049	Upper tube section w/driveshaft, housing
1A	10-19078	Upper tube bundle, as shipped
2	10-19050	Center tube section w/driveshaft
2A	10-19079	Center tube bundle, as shipped
3	10-19052	Lower tube section
3A	10-19081	Lower tube bundle, as shipped
4	10-19402	Upper flight section
5	10-19552	Center flight section
6A	10-19085	24" weld-on crimped intake flight
6	10-19407	Lower flight section
7	10-19808	Upper driveshaft, 21' 1" section (W60-23' 6")
8	10-19994	Center driveshaft, 18' 9" section
9	10-19419	Lower driveshaft, 6' 4" long
10	10-19119	Driveshaft connector
11A	10-18693	1-1/4" split hardwood bearing, set of 2 halves
11B	10-18695	1-1/4" bearing flange, single, 2 bolt
11	10-19244	1-1/4" ball bearing w/set screws, flanges
12	10-18762	Angle track stop only
13	10-19259	Bolt-on track
14A	10-17071	Roller track shoe (replaces #19137
14	10-19137	Slider track shoe (N/A replaced by 17071)
15	10-19252	1/4" Cable, 61' 6" long
16	10-19147	1/4" Cable clamp
17	10-19569	Winch
18	10-19254	Driveshaft shield, 42" long
19	10-19255	Driveshaft shield, 48" long
20	10-19256	Shield tie-down strap
21	10-19773	Upper shield attach bracket
22	10-19398	Intake hitch w/shield, bushing, grease fitting
23	10-19442	Clevis, less bolt
24	10-19149	1" Bushing
25	10-19222	Press-in grease fitting
26	10-19324	Truss support bracket
27	10-19328	Single truss cable w/end plate
28	10-19333	5/16" Cable clamp
29	10-19331	Eyebolt w/nut
30	10-19332	Truss attach angle
31	10-19411	Strap-on spout
32	10-19316	Upper drive housing
33A	10-18852	1-1/4" Bearing, less flange
33	10-19567	1-1/4" Bearing, w/4 bolt flange
34	10-19564	Sprocket, 80 B14
35A	10-19323	Roller chain connector only
35	10-19565	Roller chain w/connector
36	10-19320	Housing cover
37	10-19342	Axle w/spindles, nuts cotter pins
38	10-19263	Spindle, weld-on
39	10-19358	Lower reach tube, left
40	10-19359	Lower reach tube, right
41	10-19369	Lwr reach frame bundle as shipped, incl. #85

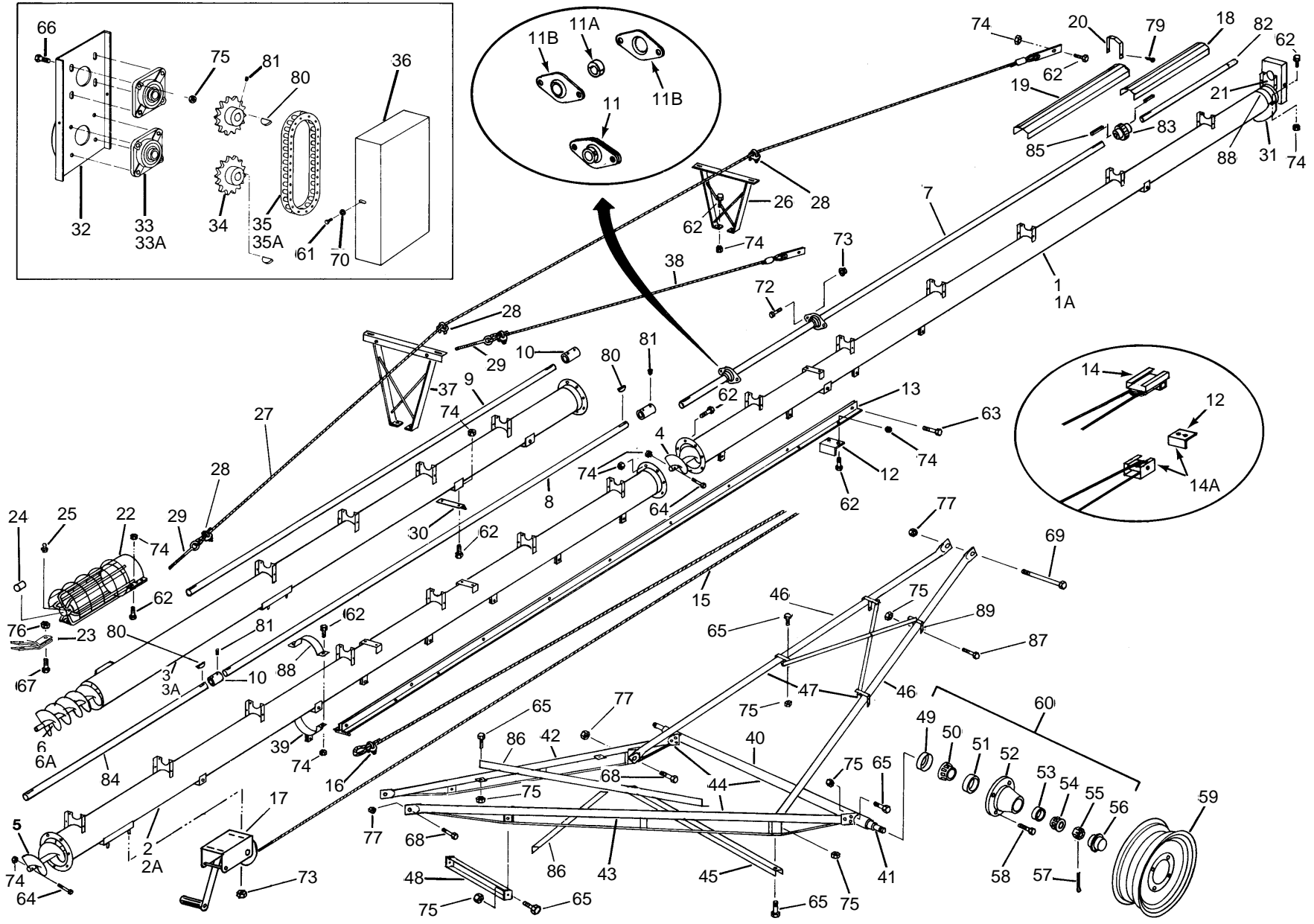


REPLACEMENT SPROCKETS AND BEARINGS FOR W60 AUGER ARE SHOWN ON PAGE A8



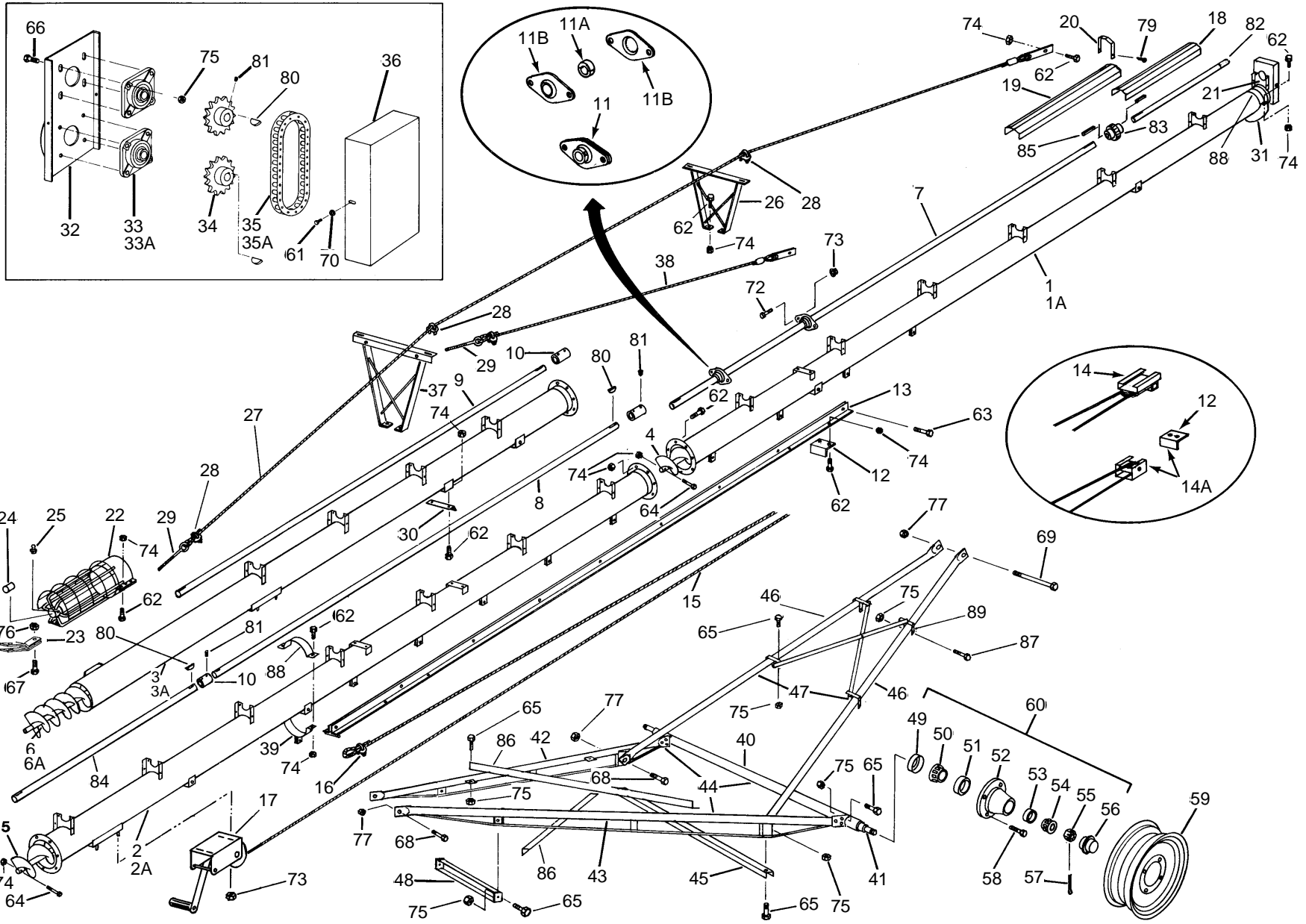
W80-61_BASIC_AUGER

ITEM	PART NO.	DESCRIPTION
42	10-19378	crossmember
43	10-19524	Upper lift tube, left or right
44	10-19534	Upper lift bundle, as shipped, (incl. Ref. #42)
45	10-19536	Short crossmember, 2 bolt
46	10-19264	Seal
47	10-19265	Large bearing, Timken #LM 67048
48	10-19266	Large cup, Timken #LM 67010
49	10-19267	Hub w/cups
50	10-19268	Small cup, Timken #LM 11910
51	10-19269	Small bearing, Timken #LM 11949
52	10-19270	Stoned nut, 3/4" - 16
53	10-19272	Dust cap
54	10-19271	Cotter pin, 1/8" x 1-1/2"
55	10-19273	Wheel bolt, 1/2" - 20 x 1"
56	10-19261	Wheel, 15", 4 bolt
57	10-19467	Hub assembly, complete
58	10-18538	Bolt, 5/16" - 18 x 3/4", grade 2
59	10-19542	Bolt, 7/16" - 14 x 1", grade 5
60	10-19981	Bolt, 7/16" - 14 x 1-3/4", grade 5
61	10-19545	Bolt, 7/16" - 14 x 2-1/4", grade 8
62	10-19588	Bolt, 1/2" - 13 x 1-1/4", grade 5
63	10-19589	Bolt, 1/2" - 13 x 1-1/2", grade 2
64	10-19991	Bolt, 5/8" - 11 x 2", grade 5
65	10-19592	Bolt, 3/4" - 10 x 2", grade 5
66	10-19593	Bolt, 3/4" - 10 x 6-1/2", grade 5
67	10-19603	Lockwasher, 5/16"
68	10-19605	lockwasher, 1/2"
69	10-19540	Bolt, 3/8" - 16 x 3/4", grade 2
70	10-19596	Washer locknut, 3/8" - 16
71	10-19598	Locknut, 7/16" - 14
72	10-19599	Locknut, 1/2" - 13
73	10-19600	Locknut, 5/8" - 11
74	10-19601	Locknut, 3/4" - 10
76	10-19274	self-tapping screw, #14 x 5/8", w/washerhead
77	10-19224	Woodruff key, 1/4" x 1"
78	10-19225	Set screw, 3/8" - 16 x 3/8"
79	10-19807	Upper driveshaft, 4' 0" section
80	10-19419	Center driveshaft, 6' 4" section
81	10-19771	Chain flex connector
82	10-19606	Square key, 1/4" x 1-1/2"
83	10-19460	Tube half band
84	10-19799	Bolt, 1/2" - 13 x 4-1/2", grade 2
85	10-19796	Single crossbrace
86	10-19797	Tube clamp
87	10-19689	Basic carton



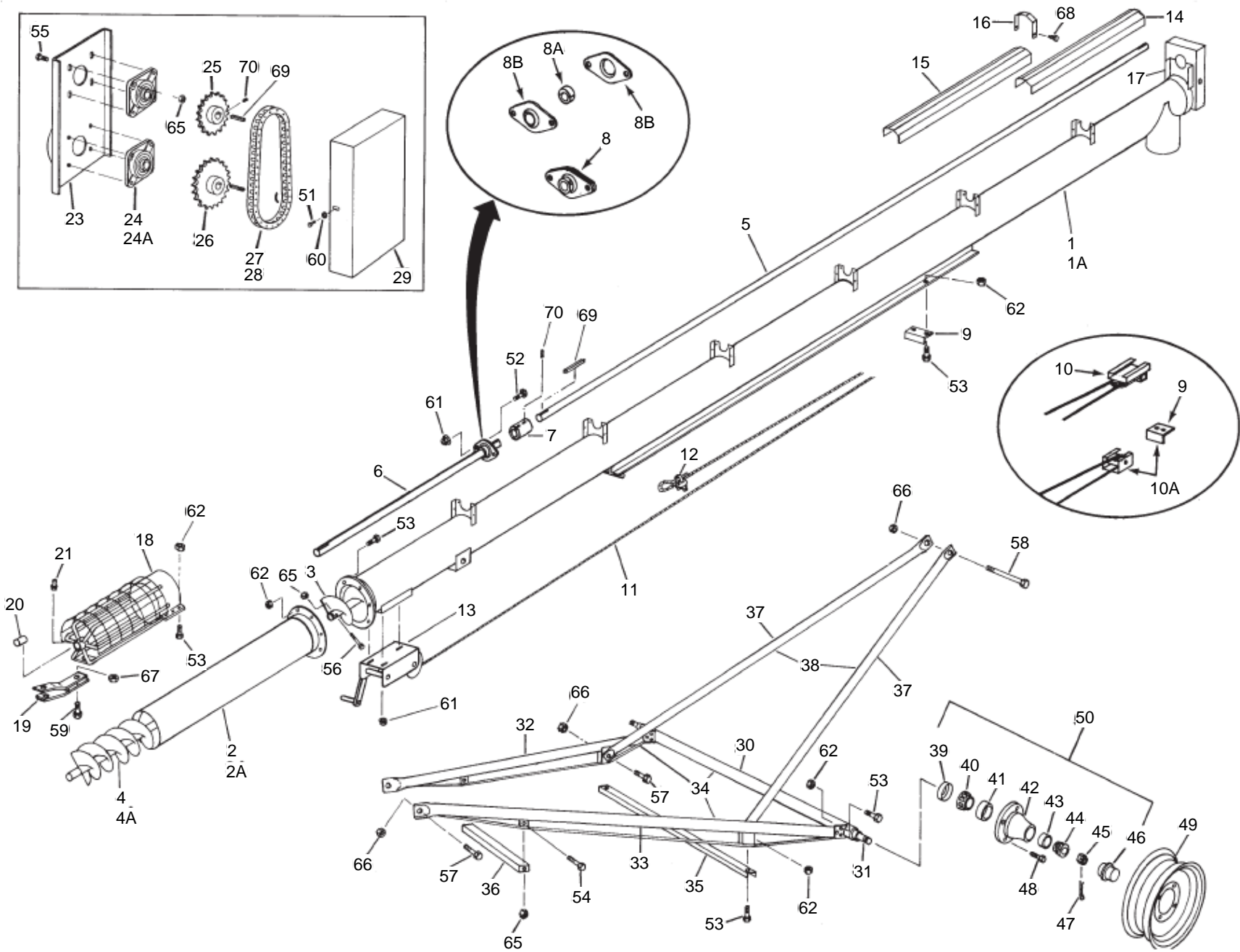
W80-71_BASIC_AUGER

ITEM	PART NO.	DESCRIPTION
1	10-19049	Upper tube section w/driveshaft, housing
1A	10-19078	Upper tube bundle, as shipped
2	10-19050	Center tube section w/driveshaft
2A	10-19079	Center tube bundle, as shipped
3	10-19053	Lower tube section
3A	10-19082	Lower tube bundle, as shipped
4	10-19402	Upper flight section
5	10-19552	Center flight section
6A	10-19085	24" weld-on crimped intake flight
6	10-19409	Lower flight section
7	10-19808	Upper driveshaft, 21' 1" section
8	10-19994	Center driveshaft, 18' 9" section
9	10-19242	Lower driveshaft, 16' 4" long
10	10-19119	Driveshaft connector
11A	10-18693	1-1/4" split hardwood bearing, set of 2 halves
11B	10-18695	1-1/4" bearing flanges, single, 2 bolt
11	10-19244	1-1/4" ball bearing w/set screws, flanges
12	10-18762	Angle track stop only
13	10-19259	Bolt-on track
14A	10-17071	Roller track shoe (replaces #19137)
14	10-19137	Slider track shoe (N/A replaced by 17071)
15	10-19253	1/4" Cable, 74' long (Not shown)
16	10-19147	1/4" Cable clamp
17	10-19569	Winch, 15:1 ratio
18	10-19254	Driveshaft shield, 42" long
19	10-19255	Driveshaft shield, 48" long
20	10-19256	Shield tie-down strap
21	10-19773	Upper shield attach bracket
22	10-19398	Intake hitch w/shield, bushing, grease fitting
23	10-19442	Clevis, less bolt
24	10-19149	1" Bushing
25	10-19222	Press-in grease fitting
26	10-19324	(Low) Truss support bracket
27	10-19329	Single truss cable w/end plate, 51' long
28	10-19333	5/16" Cable damp
29	10-19331	Eye bolt w/nut
30	10-19332	Truss attach angle
31	10-19411	Strap-on spout
32	10-19316	Upper drive housing
33A	10-18852	1-1/4" Bearing, less flange
33	10-19567	1-1/4" Bearing, w/4 bolt flange
34	10-19564	Sprocket, 80 B14
35A	10-19323	Roller chain connector only
35	10-19565	Roller chain w/connector
36	10-19320	Housing cover
37	10-19325	(High) Truss support bracket
38	10-19330	Short single truss cable w/end plate, 18' 2" long
39	10-19334	Strap-on track attach damp
40	10-19343	Axle w/spindles, nuts, cotter pins
41	10-19263	Spindle, weld-on



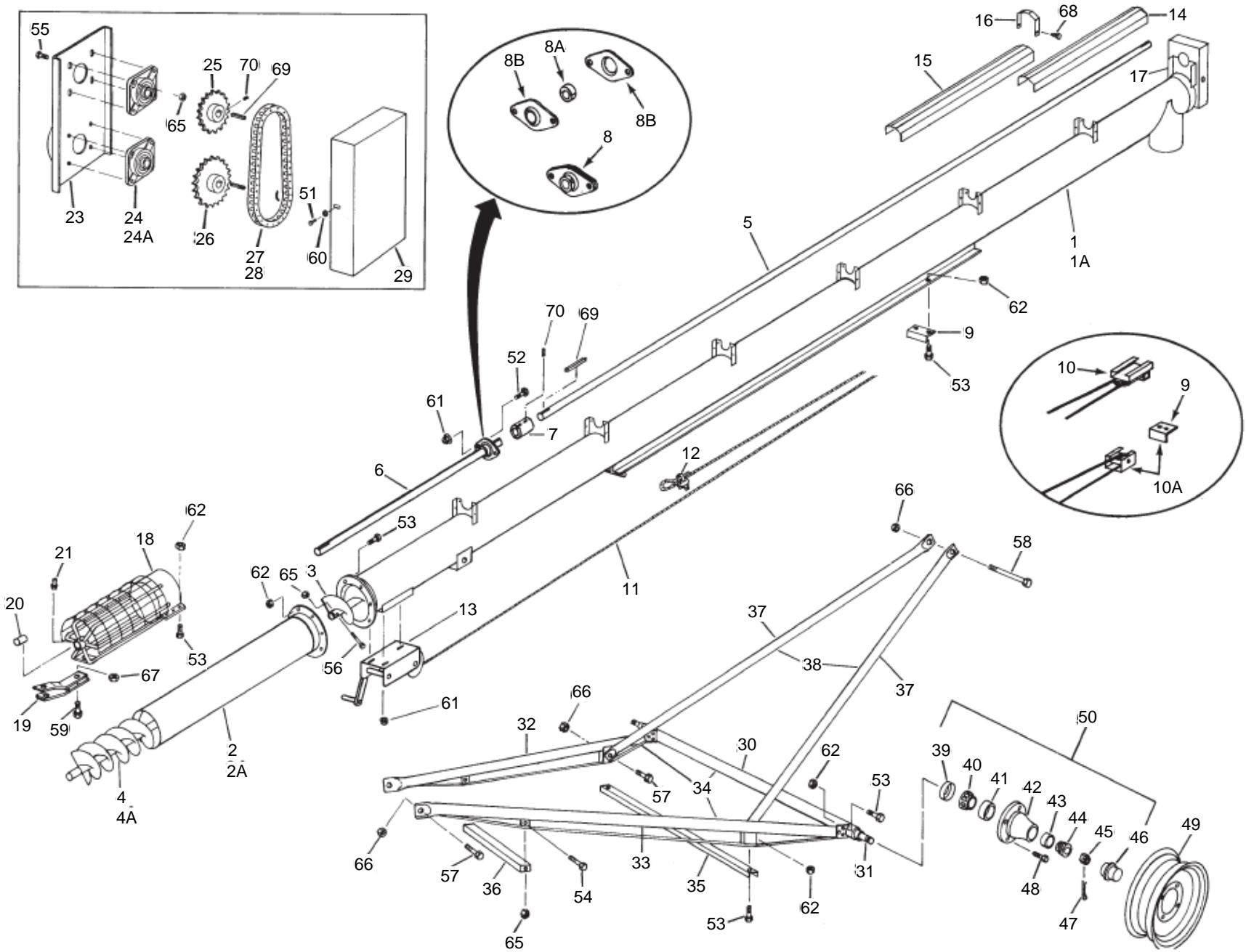
W80-71_BASIC_AUGER

ITEM	PART NO.	DESCRIPTION
42	10-19360	Lower reach tube, left
43	10-19361	Lower reach tube, right
44	10-19370	Lower reach frame bundle as shipped, incl. #86
45	10-19379	crossmember
46	10-19525	Upper lift tube, left or right
47	10-19535	Upper lift bundle, as shipped, includes Ref. #45
48	10-19536	Short crossmember, 2 bolt
49	10-19264	Seal
50	10-19265	Large bearing, Timken #LM 67048
51	10-19266	Large cup, Timken #LM 67010
52	10-19267	Hub w/cups
53	10-19268	Small cup, Timken#LM11910
54	10-19269	Small bearing, Timken #LM 11949
55	10-19270	Slotted nut, 3/4" - 16
56	10-19272	Dust cap
57	10-19271	Cotter pin, 1/8" x 1-1/2"
58	10-19273	Wheel bolt, 1/2" - 20 x 1"
59	10-19261	Wheel, 15", 4 bolt
60	10-19467	Hub assembly, complete
61	10-19538	Bolt, 5/16" - 18 x 3/4", grade 2
62	10-19542	Bolt, 7/16" - 14 x 1", grade 5
63	10-19981	Bolt, 7/16" - 14 x 1-3/4", grade 5
64	10-19545	Bolt, 7/16" - 14 x 2-1/4", grade 8
65	10-19588	Bolt, 1/2" - 13 x 1-1/4", grade 5
66	10-19589	Bolt, 1/2" - 13 x 1-1/2", grade 2
67	10-19991	Bolt, 5/8" - 11 x 2", grade 5
68	10-19592	Bolt, 3/4" - 10 x 2", grade 5
69	10-19593	Bolt, 3/4" - 10 x 6-1/2", grade 5
70	10-19603	Lockwasher, 5/16"
71	10-19605	lockwasher, 1/2"
72	10-19540	Bolt, 3/8" - 16 x 3/4", grade 2
73	10-19596	Washer-locknut, 3/8" - 16
74	10-19598	Locknut, 7/16" - 14
75	10-19599	Locknut, 1/2" - 13
76	10-19600	Locknut, 5/8" - 11
77	10-19601	Locknut, 3/4" - 10
78	10-19602	hex nut, 1/2" - 13
79	10-19274	self-tapping screw, #14 x 5/8", w/washerhead
80	10-19224	Woodruff key, 1/4" x 1"
81	10-19225	Set screw, 3/8" - 16 x 3/8"
82	10-19807	Upper driveshaft, 4' 0" section
83	10-19771	Chain flex connector
84	10-19419	Center driveshaft, 6' 4" section
85	10-19606	Square key, 1/4" x 1-1/2"
86	10-19796	Single crossbrace
87	10-19799	Bolt, 1/2" - 13 x 4-1/2", grade 2
88	10-19460	Tube half band
89	10-19797	Tube clamp
90	10-19690	Basic carton



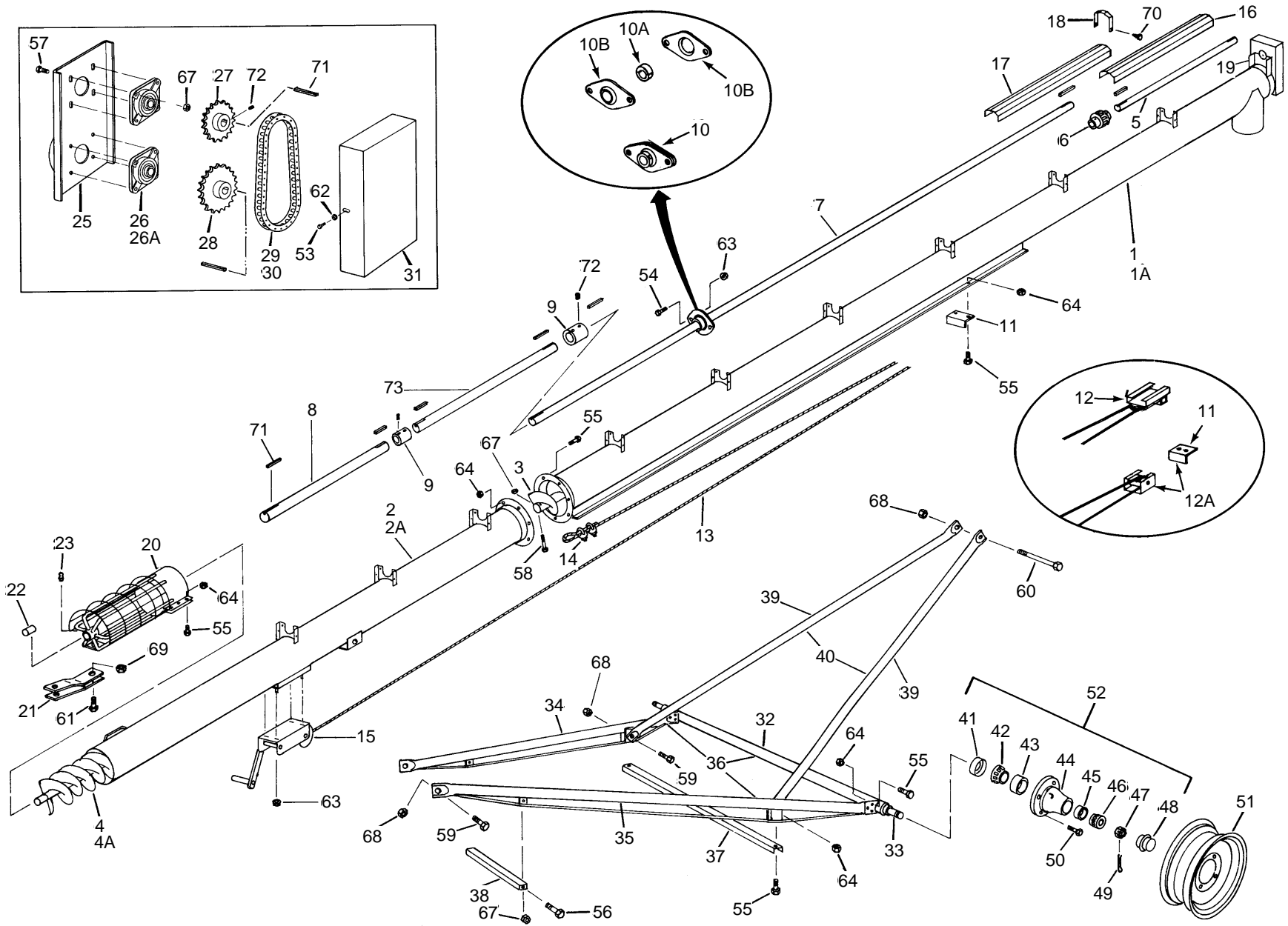
W100-31_BASIC_AUGER

ITEM	PART NO.	DESCRIPTION
1	10-19733	Upper tube section w/driveshaft, housing, track
1A	10-19734	Upper tube bundle, as shipped
2	10-19735	Lower tube section
2A	10-19736	Lower tube bundle, as shipped
3	10-19753	Upper flight section
4	10-19754	Lower flight section
4A	10-19760	30" Weld-on crimped intake flight
5	10-19761	Upper driveshaft, 1-1/4" x 21' 10" long
6	10-19940	Lower driveshaft, 1-1/4" x 3' 10" long
7	10-19770	Driveshaft connector, 1-1/4" bore
8A	10-18693	1-1/4" split hardwood bearing, set of 2 halves
8B	10-18695	1-1/4" bearing flange, single, 2 bolt
8	10-19244	1-1/4" ball bearing w/set screws, flanges
9	10-18762	Angle track stop only
10A	10-17071	Roller track shoe (REPLACES #19137)
10	10-19137	Slider track shoe (N/A replaced by 17071)
11	10-19246	1/4" Cable, 24' long
12	10-19147	1/4" Cable clamp
13	10-19152	Winch, 5:1 ratio
14	10-19254	Driveshaft shield, 42" long
15	10-19255	Driveshaft shield, 48" long
16	10-19256	Shield tie-down strap
17	10-19773	Upper shield attach bracket
18	10-19774	Intake hitch w/shield, bushing, grease fitting
19	10-19775	Clevis, less bolt
20	10-19776	1-1/4" Bushing
21	10-19222	Press-in grease fitting
23	10-19778	Upper drive housing
24A	10-18852	1-1/4" Bearing, less flange
24	10-19567	1-1/4" Bearing, w/4 bolt flange
25	10-19779	Upper sprocket, 18 tooth
26	10-19780	Lower sprocket, 21 tooth
27	10-19781	Roller chain w/connector
28	10-19323	Roller chain connector only
29	10-19782	Housing cover
30	10-19336	Axle w/spindles, nuts, cotter pins
31	10-19262	Spindle, weld-on
32	10-19784	Lower reach tube, left
33	10-19785	Lower reach tube, right
34	10-19786	Lower reach frame bundle, as shipped
35	10-19372	crossmember
36	10-19637	Short crossmember
37	10-19787	Upper lift tube, left or right
38	10-19788	Upper lift bundle, as shipped, includes #35
39	10-19264	Seal
40	10-19265	Large bearing, Timken #LM 67048
41	10-19266	Large cup, Timken #LM 67010
42	10-19267	Hub w/cups
43	10-19268	Small cup, Timken #LM 11910
44	10-19269	Small bearing, Timken #LM 11949



W100-31_BASIC_AUGER

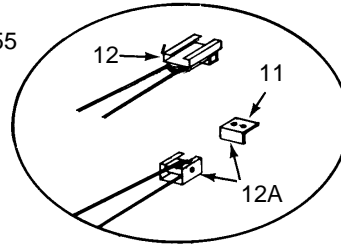
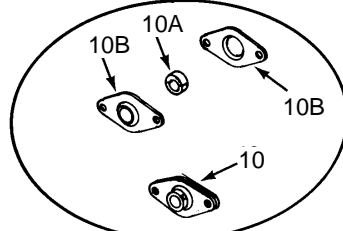
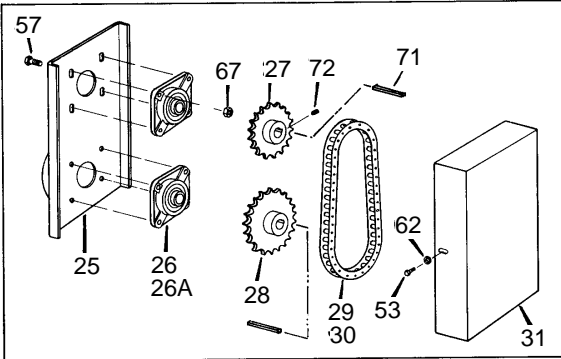
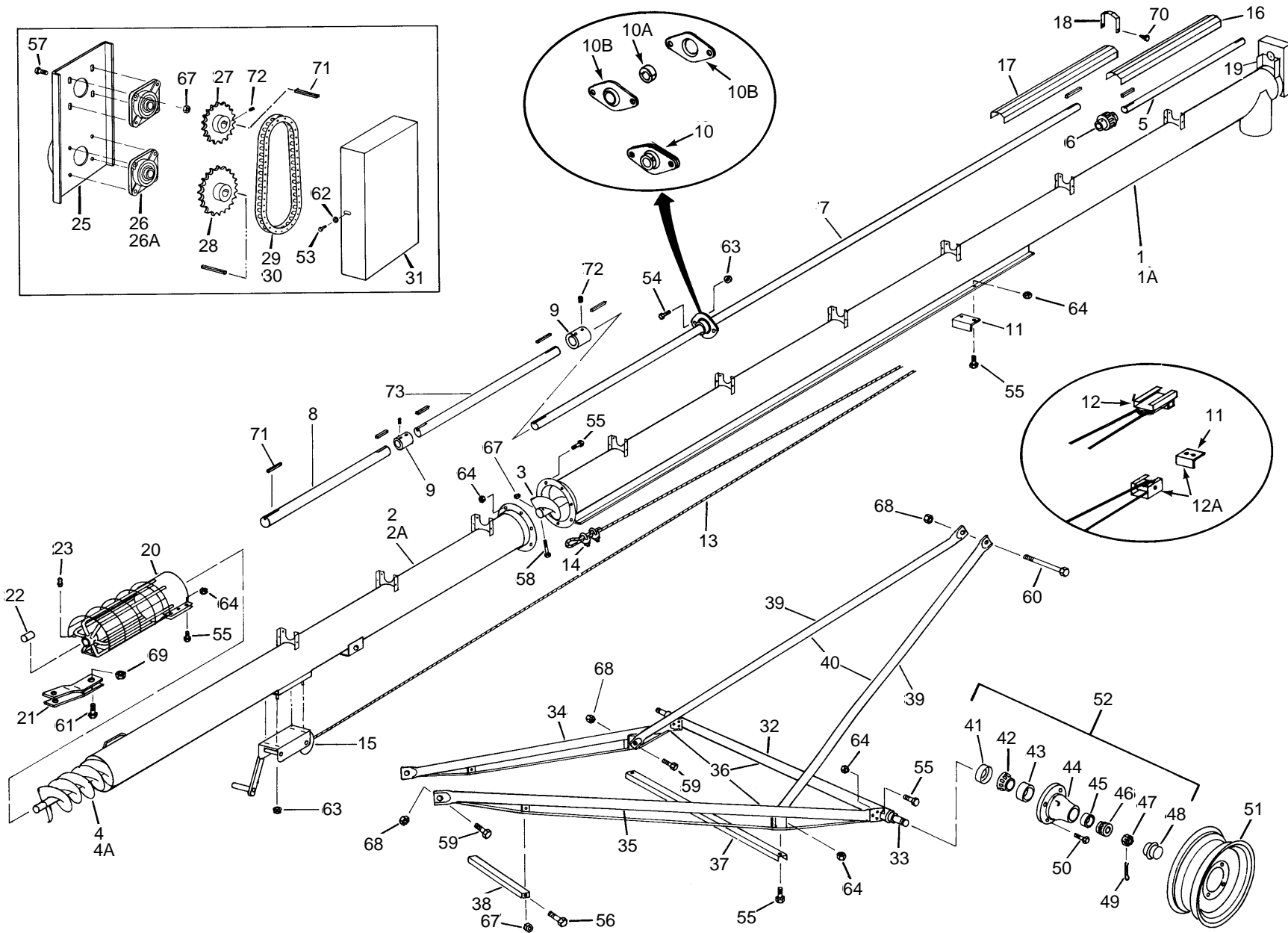
ITEM	PART NO.	DESCRIPTION
45	10-19270	Slotted nut, 3/4" - 16
46	10-19272	Dust cap
47	10-19271	Cotter pin, 1/8" x 1-1/2"
48	10-19273	Wheel bolt, 1/2" - 20 x 1"
49	10-19261	15" Wheel, 4 bolt
50	10-19467	Hub assembly, complete
51	10-19538	Bolt, 5/16" - 18 x 3/4", grade 2
52	10-19540	Bolt, 3/8" - 16 x 3/4", grade 2
53	10-19542	Bolt, 7/16" - 14 x 1", grade 5
54	10-19588	Bolt, 1/2" - 13 x 1-1/4", grade 5
55	10-19589	Bolt, 1/2" - 13 x 1-1/2", grade 2
56	10-19798	Bolt, 1/2" - 13 x 2-3/4", grade 8
57	10-19590	Bolt, 5/8" - 11 x 1-1/2", grade 5
58	10-19591	Bolt, 5/8" - 11 x 6-1/2", grade 5
59	10-19592	Bolt, 3/4" - 10 x 2", grade 5
60	10-19603	Lockwasher, 5/16"
61	10-19596	Washer-locknut, 3/8" - 16
62	10-19598	Locknut, 7/16" - 14
63	10-19605	LOCKWASHER, 1/2"
64	10-19602	HEX NUT, 1/2" -13
65	10-19599	Locknut, 1/2" - 13
66	10-19600	Locknut, 5/8" - 11
67	10-19601	Locknut, 3/4" - 10
68	10-19274	Self-tapping screw, #14 x 5/8"
69	10-19606	Square key, 1/4" x 1-1/2"
70	10-19225	Set screw, 3/8" - 16 x 3/8"
71	10-19801	TUBE HALF BAND
72	10-19893	Basic carton



W100-41_BASIC_AUGER

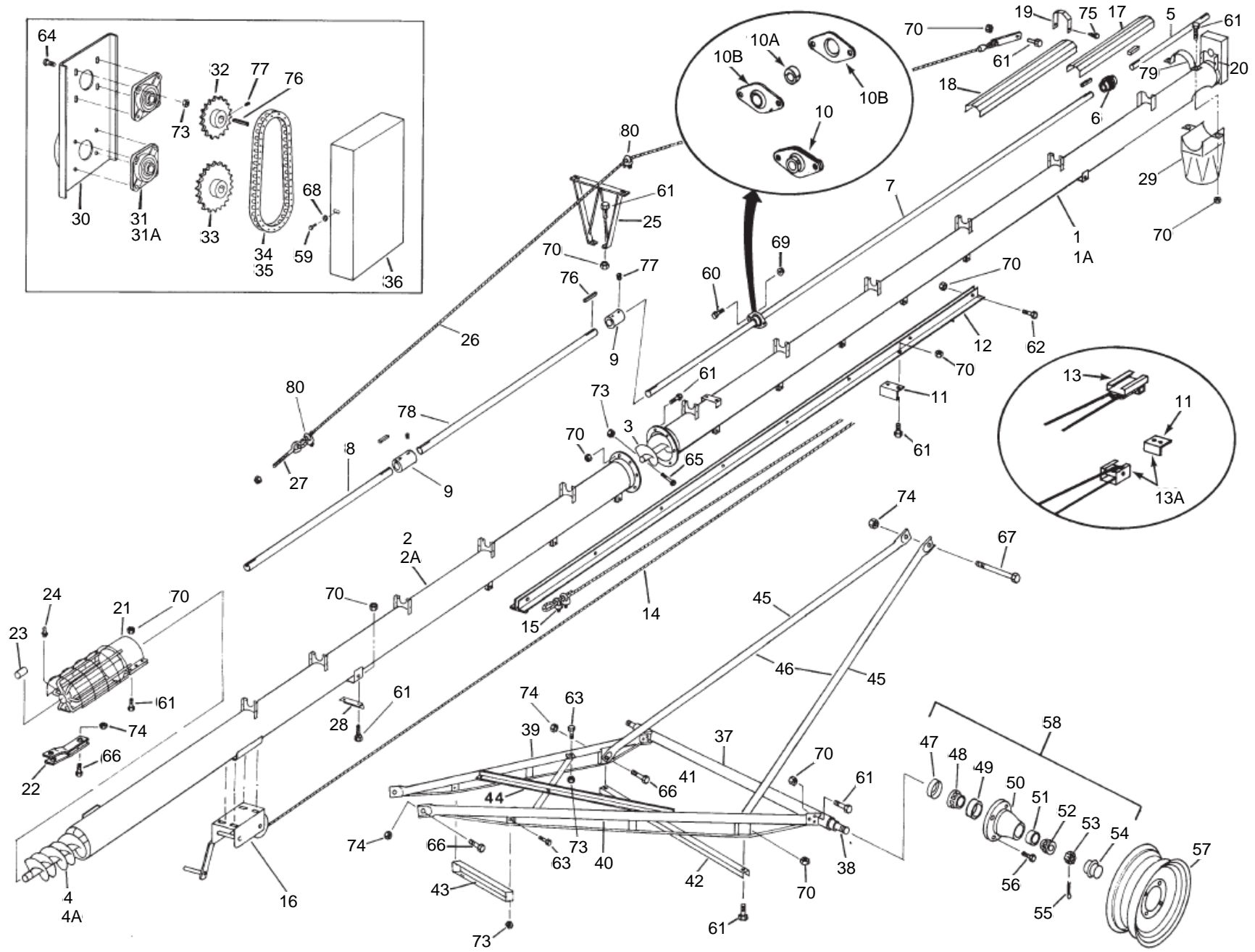
ITEM	PART NO.	DESCRIPTION
1	10-19737	Upper tube section w/driveshaft, housing track
1A	10-19738	Upper tube bundle, as shipped
2	10-19739	Lower tube section with driveshaft
2A	10-19740	Lower tube bundle, as shipped
3	10-19753	Upper flight section
4	10-19755	Lower flight section
4A	10-19760	30" Weld-on crimped intake flight
5	10-19763	Short upper driveshaft, 48" long
6	10-19771	Chain flex connector
7	10-19764	Upper driveshaft, 21' 1" long
8	10-19954	Lower driveshaft, 5' 2-1/2" long
9	10-19770	Driveshaft connector, 1-1/4" bore
10A	10-18693	1-1/4" split hardwood bearing, set of 2 halves
10B	10-18695	1-1/4" bearing flange, single, 2 bolt
10	10-19244	1-1/4" ball bearing w/set screws, flanges
11	10-18762	Angle track stop only
12A	10-17071	Roller track shoe (Replaces #19137)
12	10-19137	Slider track shoe (N/A replaced by 17071)
13	10-19248	1/4" Cable, 34' 6" long
14	10-19147	1/4" Cable clamp
15	10-19569	Winch, 15:1 ratio
16	10-19254	Driveshaft shield, 42" long
17	10-19255	Driveshaft shield, 48" long
18	10-19256	Shield tie-down strap
19	10-19773	Upper shield attach bracket
20	10-19774	Intake hitch w/shield, bushing, grease fitting
21	10-19775	Clevis, less bolt
22	10-19776	1-1/4" Bushing
23	10-19222	Press-in grease fitting
25	10-19778	Upper drive housing
26A	10-18852	1-1/4" Bearing, less flange
26	10-19567	1-1/4" Bearing, w/4 bolt flange
27	10-19779	Upper sprocket, 18 tooth
28	10-19780	Lower sprocket, 21 tooth
29	10-19781	Roller chain w/connector
30	10-19323	Roller chain connector only
31	10-19782	Housing cover
32	10-19338	Axle w/spindles, nuts, cotter pins
33	10-19262	Spindle, weld-on
34	10-19350	Lower reach tube, left
35	10-19351	Lower reach tube, right
36	10-19365	Lower reach frame bundle, as shipped
37	10-19374	crossmember
38	10-19637	Short crossmember
39	10-19383	Upper lift tube, left or right
40	10-19529	Upper lift bundle, as shipped, includes #37
41	10-19264	Seal
42	10-19265	Large bearing, Timken #LM 67048
43	10-19266	Large cup, Timken #LM 67010
44	10-19267	Hub w/cups

W100-41_BASIC_AUGER



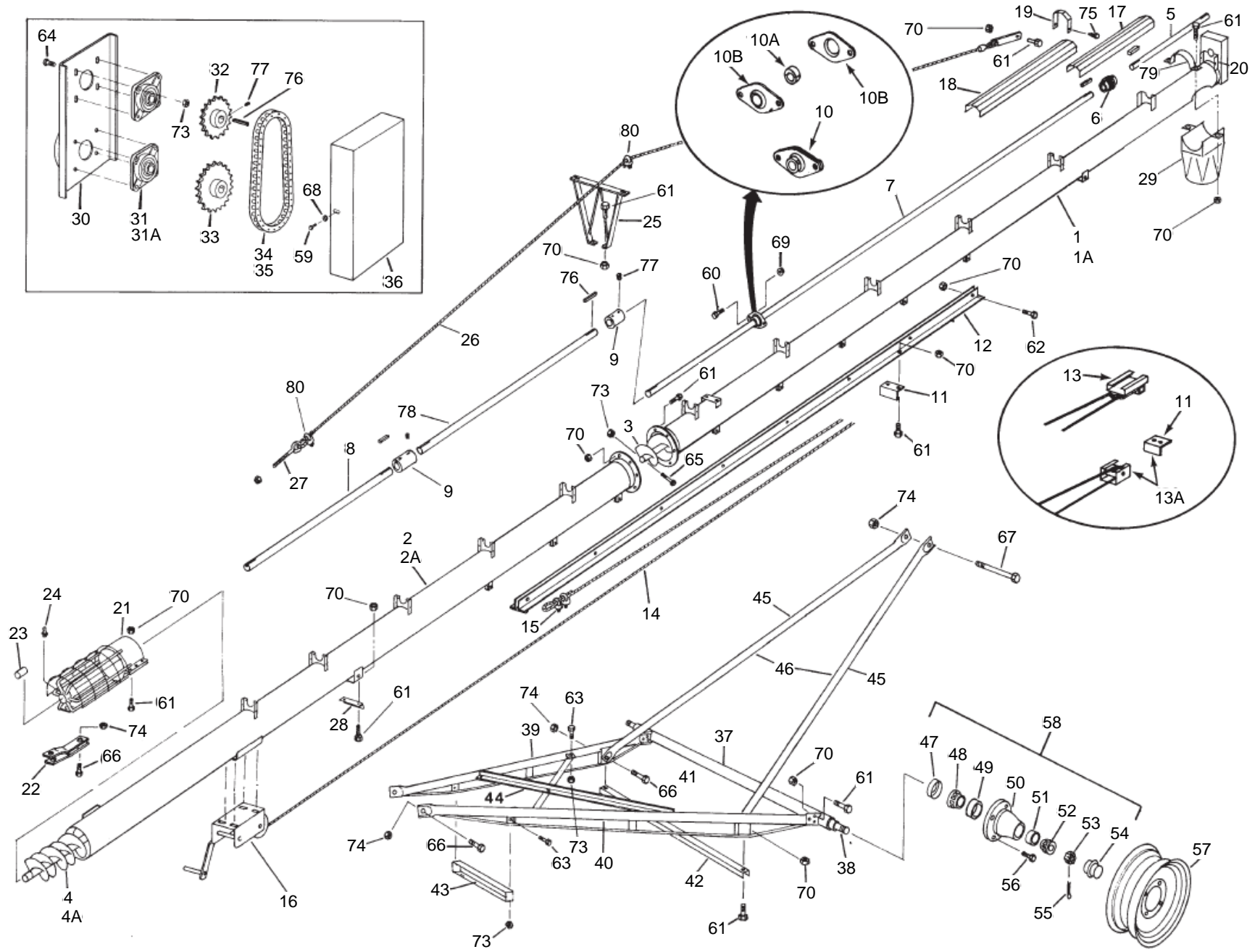
W100-41_BASIC_AUGER

ITEM	PART NO.	DESCRIPTION
45	10-19268	small cup, timken #lm 11910
46	10-19269	small bearing, timken #lm 11949
47	10-19270	slotted nut, 3/4" - 16
48	10-19272	dust cap
49	10-19271	Cotter pin, 1/8" x 1-1/2"
50	10-19273	Wheel bolt, 1/2" - 20 x 1"
51	10-19261	15" Wheel, 4 bolt
52	10-19467	hub assembly, complete
53	10-19538	Bolt, 5/16" - 18 x 3/4", grade 2
54	10-19540	Bolt, 3/8" - 16 x 3/4", grade 2
55	10-19542	Bolt, 7/16" - 14 x 1", grade 5
56	10-19588	Bolt, 1/2" - 13 x 1-1/4", grade 5
57	10-19589	Bolt, 1/2" - 13 x 1-1/2", grade 2
58	10-19798	Bolt, 1/2" - 13 x 2-3/4", grade 8
59	10-19590	Bolt, 5/8" - 11 x 1-1/2", grade 5
60	10-19591	Bolt, 5/8" - 11 x 6-1/2", grade 5
61	10-19592	Bolt, 3/4" - 10 x 2", grade 5
62	10-19603	Lockwasher, 5/16"
63	10-19596	Washer-locknut, 3/8" - 16
64	10-19598	Locknut, 7/16" - 14
65	10-19605	lockwasher, 1/2"
66	10-19602	hex nut, 1/2" - 13
67	10-19599	Locknut, 1/2" - 13
68	10-19600	Locknut, 5/8" - 11
69	10-19601	Locknut, 3/4" - 10
70	10-19274	self-tapping screw, #14 x 5/8", w/washerhead
71	10-19606	Square key, 1/4" x 1-1/2"
72	10-19225	Set screw, 3/8" - 16 x 3/8"
73	10-19941	Lower driveshaft, 6' 2-1/4" long
74	10-19726	Basic carton



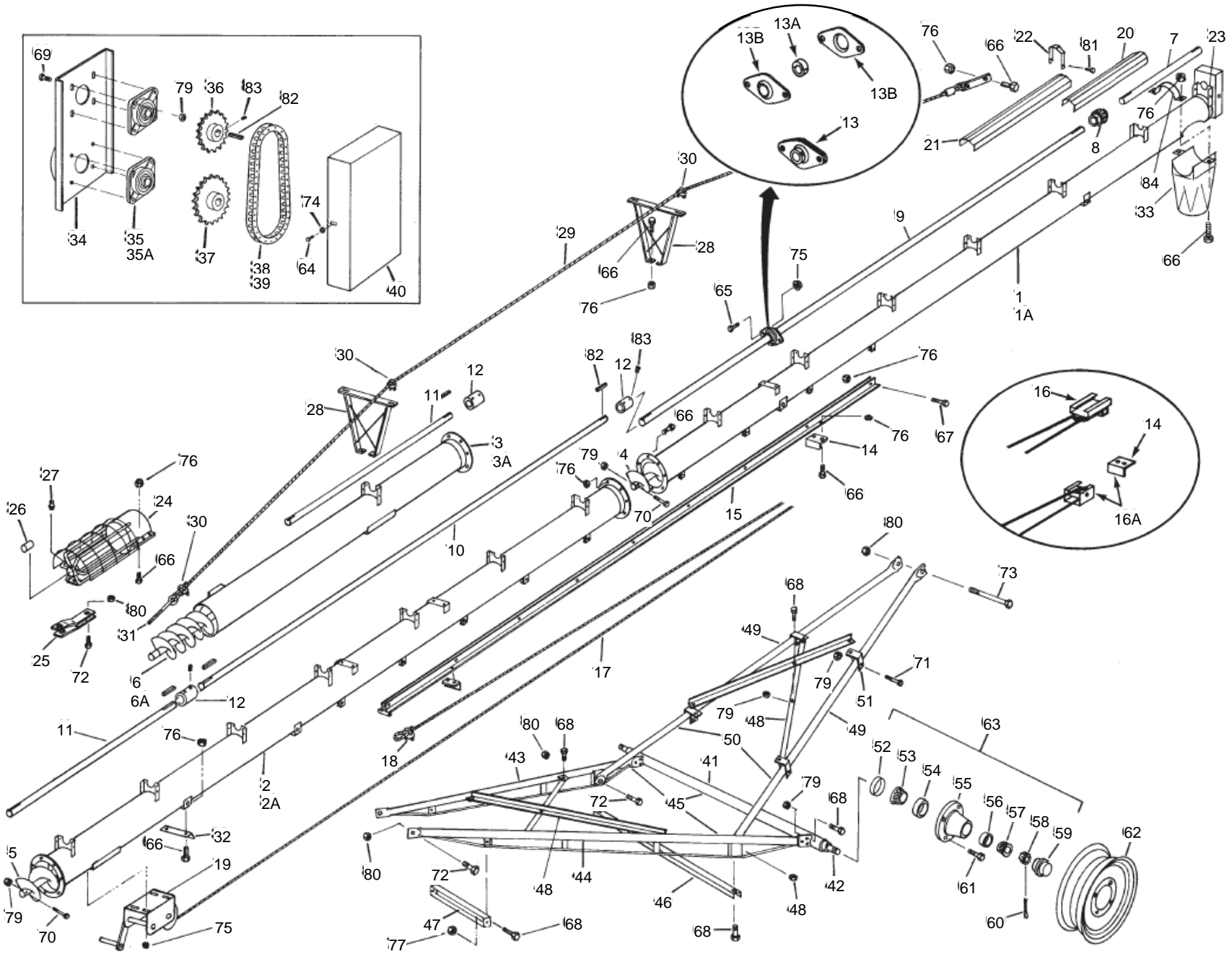
W100-51_BASIC_AUGER

ITEM	PART NO.	DESCRIPTION
1	10-19741	Upper tube section w/driveshaft, housing
1A	10-19742	Upper tube bundle, as shipped
2	10-19743	Lower tube section, w/driveshaft
2A	10-19744	Lower tube bundle, as shipped
3	10-19753	Upper flight section
4	10-19756	Lower flight section
4A	10-19760	30" Weld-on crimped intake flight
5	10-19763	Short upper driveshaft, 48" long
6	10-19771	Chain flex connector
7	10-19766	Upper driveshaft, 21' 1" long
8	10-19953	Lower driveshaft, 9' 9" long
9	10-19770	Driveshaft connector, 1-1/4" bore
10A	10-18693	1-1/4" split hardwood bearing, set of 2 halves
10B	10-18695	1-1/4" bearing flange, single, 2 bolt
10	10-19244	1-1/4" ball bearing w/set screws, flanges
11	10-18762	Angle track stop only
12	10-19772	Bolt-on track
13A	10-17071	Roller track shoe (replaces #19137)
13	10-19137	Slider track shoe (N/A replaced by 17071)
14	10-19250	1/4" Cable, 46' long
15	10-19147	1/4" Cable clamp
16	10-19569	Winch, 15:1 ratio
17	10-19254	Driveshaft shield, 42" long
18	10-19255	Driveshaft shield, 48" long
19	10-19256	Shield tie-down strap
20	10-19773	Upper shield attach bracket
21	10-19774	Intake hitch w/shield, bushing, grease fitting
22	10-19775	Clevis, less bolt
23	10-19776	1-1/4" Bushing
24	10-19222	Press-in grease fitting
25	10-19324	Truss support bracket, low
26	10-19327	Single truss cable w/end plate, 32' 6" long
27	10-19331	Eye bolt w/nut
28	10-19332	Truss attach angle
29	10-29307	Spout, less half band
30	10-19778	Upper drive housing
31A	10-18852	1-1/4" Bearing, less flange
31	10-19567	1-1/4" Bearing, w/4 bolt flange
32	10-19779	Upper sprocket, 18 tooth
33	10-19780	Lower sprocket, 21 tooth
34	10-19781	Roller chain w/connector
35	10-19323	Roller chain connector only
36	10-19782	Housing cover
37	10-18090	Axle w/spindles, nuts, cotter pins
38	10-19263	Spindle, weld-on
39	10-19789	Lower reach tube, left
40	10-19790	Lower reach tube, right
41	10-19791	Lower reach frame bundle as shipped, incl. #44
42	10-19376	Crossmember
43	10-18914	Short crossmember, 2 bolt



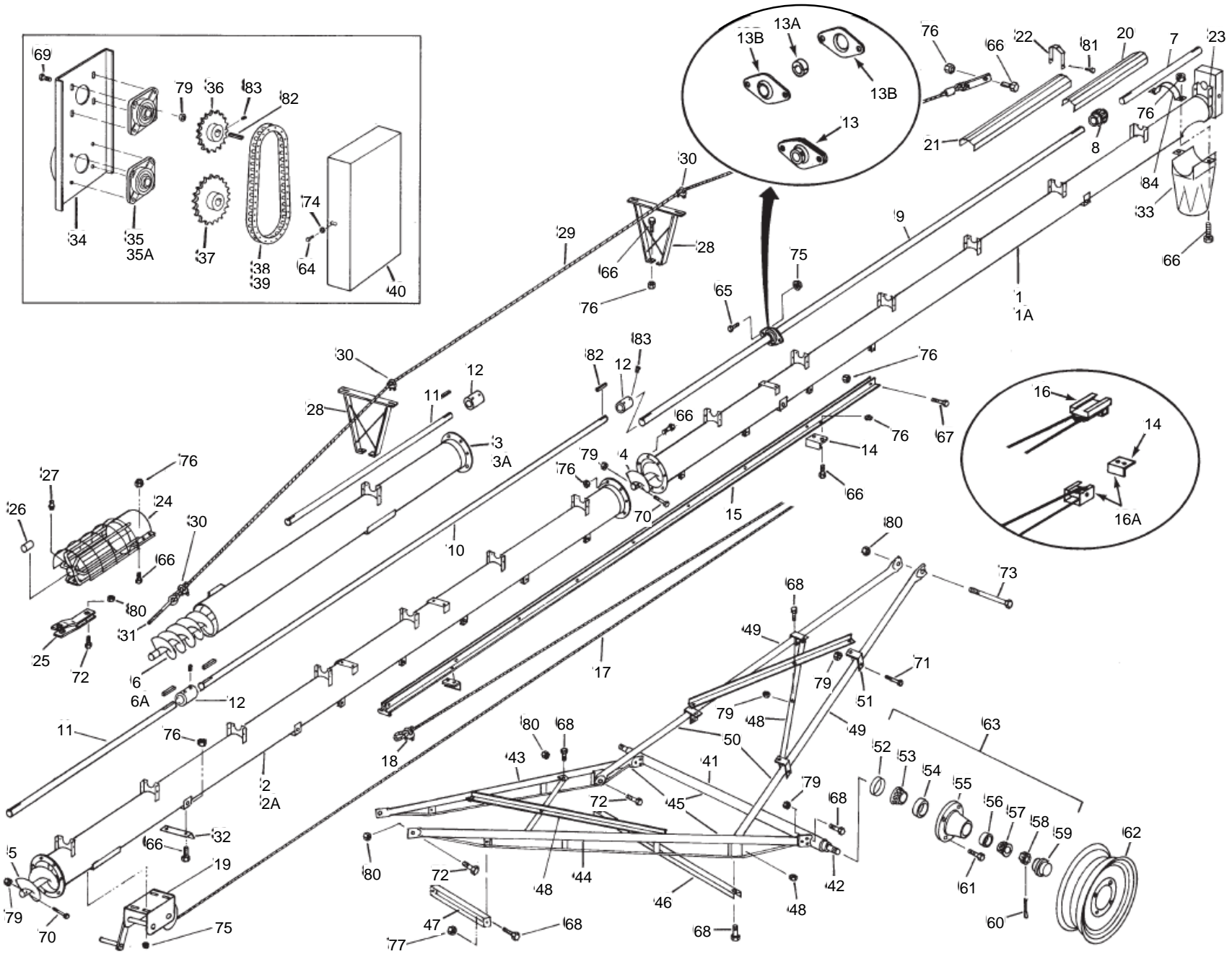
W100-51_BASIC_AUGER

ITEM	PART NO.	DESCRIPTION
44	10-19796	Single crossbrace
45	10-19792	Upper lift tube, left or right
46	10-19793	Upper lift bundle, as shipped, includes #42
47	10-19264	Seal
48	10-19265	Large bearing, Timken #LM 67048
49	10-19266	Large cup, Timken #LM 67010
50	10-19267	Hub w/cups
51	10-19268	Small cup, Timken #LM 11910
52	10-19269	Small bearing, Timken #LM 11949
53	10-19270	Slotted nut, 3/4" - 16
54	10-19272	Dust cap
55	10-19271	Cotter pin, 1/8" x 1-1/2"
56	10-19273	Wheel bolt, 1/2" - 20 x 1"
57	10-19261	15" Wheel, 4 bolt
58	10-19467	Hub assembly, complete
59	10-19538	Bolt, 5/16" - 18 x 3/4", grade 2
60	10-19540	Bolt, 3/8" - 16 x 3/4", grade 2
61	10-19542	Bolt, 7/16" - 14 x 1", grade 5
62	10-19981	Bolt, 7/16" - 14 x 1-3/4", grade 5
63	10-19588	Bolt, 1/2" - 13 x 1-1/4", grade 5
64	10-19589	Bolt, 1/2" - 13 x 1-1/2", grade 2
65	10-19798	Bolt, 1/2" - 13 x 2-3/4", grade 8
66	10-19592	Bolt, 3/4" - 10 x 2", grade 5
67	10-19593	Bolt, 3/4" - 10 x 6-1/2", grade 5
68	10-19603	Lockwasher, 5/16"
69	10-19596	Washer-locknut, 3/8" - 16
70	10-19598	Locknut, 7/16" - 14
71	10-19605	lockwasher, 1/2"
72	10-19602	HEX NUT, 1/2" -13
73	10-19599	Locknut, 1/2" - 13
74	10-19601	Locknut, 3/4" - 10
75	10-19274	Self-tapping screw, #14 x 5/8", w/washerhead
76	10-19606	Square key, 1/4" x 1-1/2"
77	10-19225	Set screw, 3/8" - 16 x 3/8"
78	10-19942	Lower driveshaft, 11' 8" section
79	10-19801	Tube half band
80	10-19333	5/16" cable clamp
81	10-19727	Basic carton



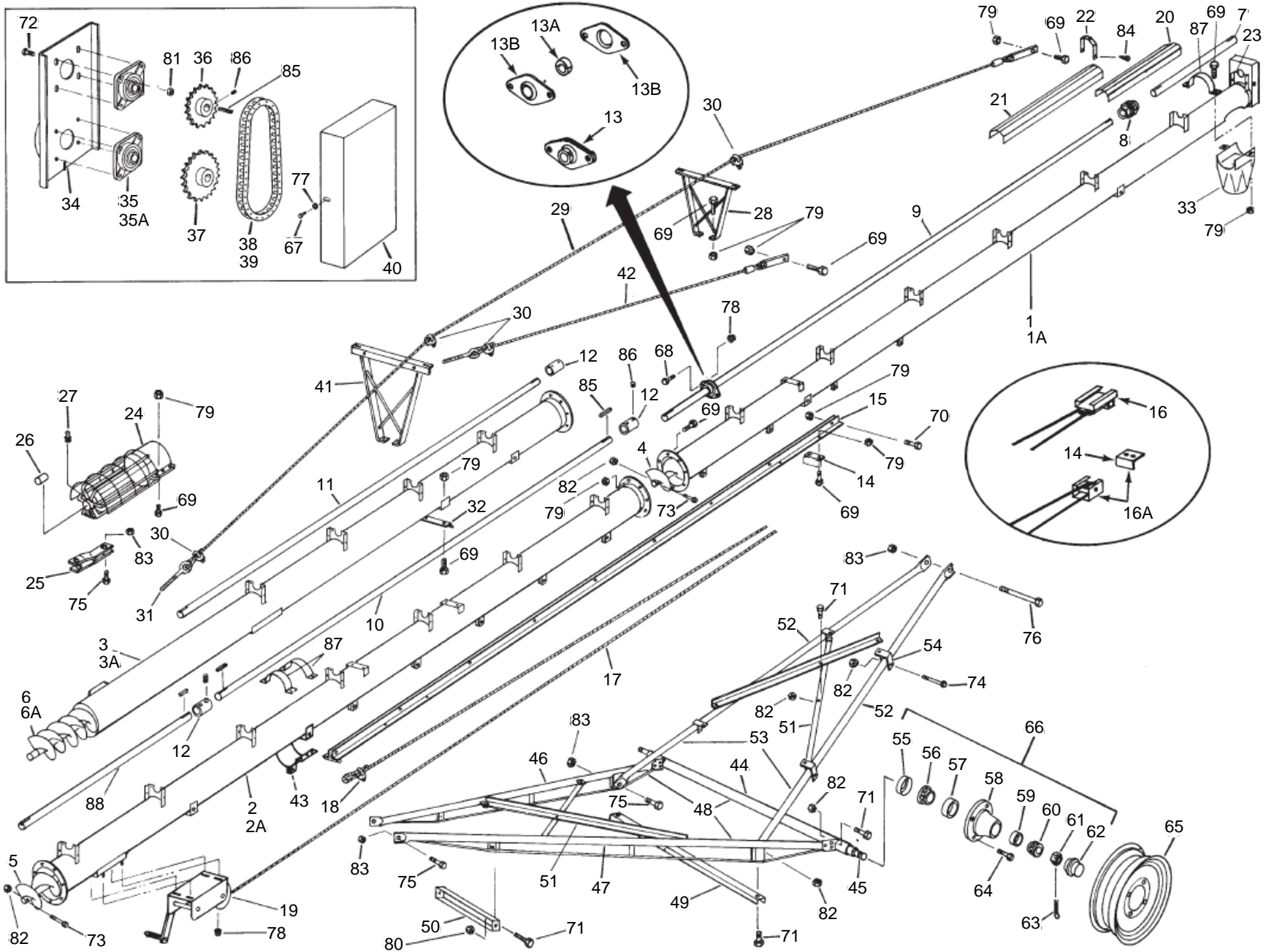
W100-61_BASIC_AUGER

ITEM	PART NO.	DESCRIPTION
1	10-19745	Upper tube section w/driveshaft, housing
1A	10-19746	Upper tube bundle, as shipped
2	10-19747	Center tube section w/driveshaft
2A	10-19748	Center tube bundle, as shipped
3	10-19749	Lower tube section
3A	10-19750	Lower tube bundle, as shipped
4	10-19753	Upper flight section
5	10-19757	Center flight section
6	10-19758	Lower flight section
6A	10-19760	30" Weld-on crimped intake flight
7	10-19763	Short upper driveshaft, 48" long
8	10-19771	Chain flex connector
9	10-19766	Upper driveshaft, 21' 1" long
10	10-19943	Center driveshaft, 18' 9" long
11	10-19768	Driveshaft, 6' 4" long, lower & center
12	10-19770	Driveshaft connector, 1-1/4" bore
13A	10-18693	1-1/4" split hardwood bearing, set of 2 halves
13B	10-18695	1-1/4" bearing flange, single, 2 bolt
13	10-19244	1-1/4" ball bearing w/set screws, flanges
14	10-18762	Angle track stop only
15	10-19259	Bolt-on track
16A	10-17071	Roller track shoe (replaces #19137)
16	10-19137	Slider track shoe (N/A replaced by 17071)
17	10-19252	1/4" Cable, 61' 6" long
18	10-19147	1/4" Cable clamp
19	10-19569	Winch, 15:1 ratio
20	10-19254	Driveshaft shield, 42" long
21	10-19255	Driveshaft shield, 48" long
22	10-19256	Shield tie-down strap
23	10-19773	Upper shield attach bracket
24	10-19774	Intake hitch w/shield, bushing, grease fitting
25	10-19775	Clevis, less bolt
26	10-19776	1-1/4" Bushing
27	10-19222	Press-in grease fitting
28	10-19324	Truss support bracket, low
29	10-19328	Single truss cable w/end plate, 40' 4" long
30	10-19333	5/16" Cable clamp
31	10-19331	Eye bolt w/nut
32	10-19332	Truss attach angle
33	10-29307	Spout, less half band
34	10-19778	Upper drive housing
35A	10-18852	1-1/4" Bearing, less flange
35	10-19567	1-1/4" Bearing, w/4 bolt flange
36	10-19779	Upper sprocket, 18 tooth
37	10-19780	Lower sprocket, 21 tooth
38	10-19781	Roller chain w/connector
39	10-19323	Roller chain connector only
40	10-19782	Housing cover
41	10-19342	Axle w/spindles, nuts, cotter pins
42	10-19263	Spindle, weld-on



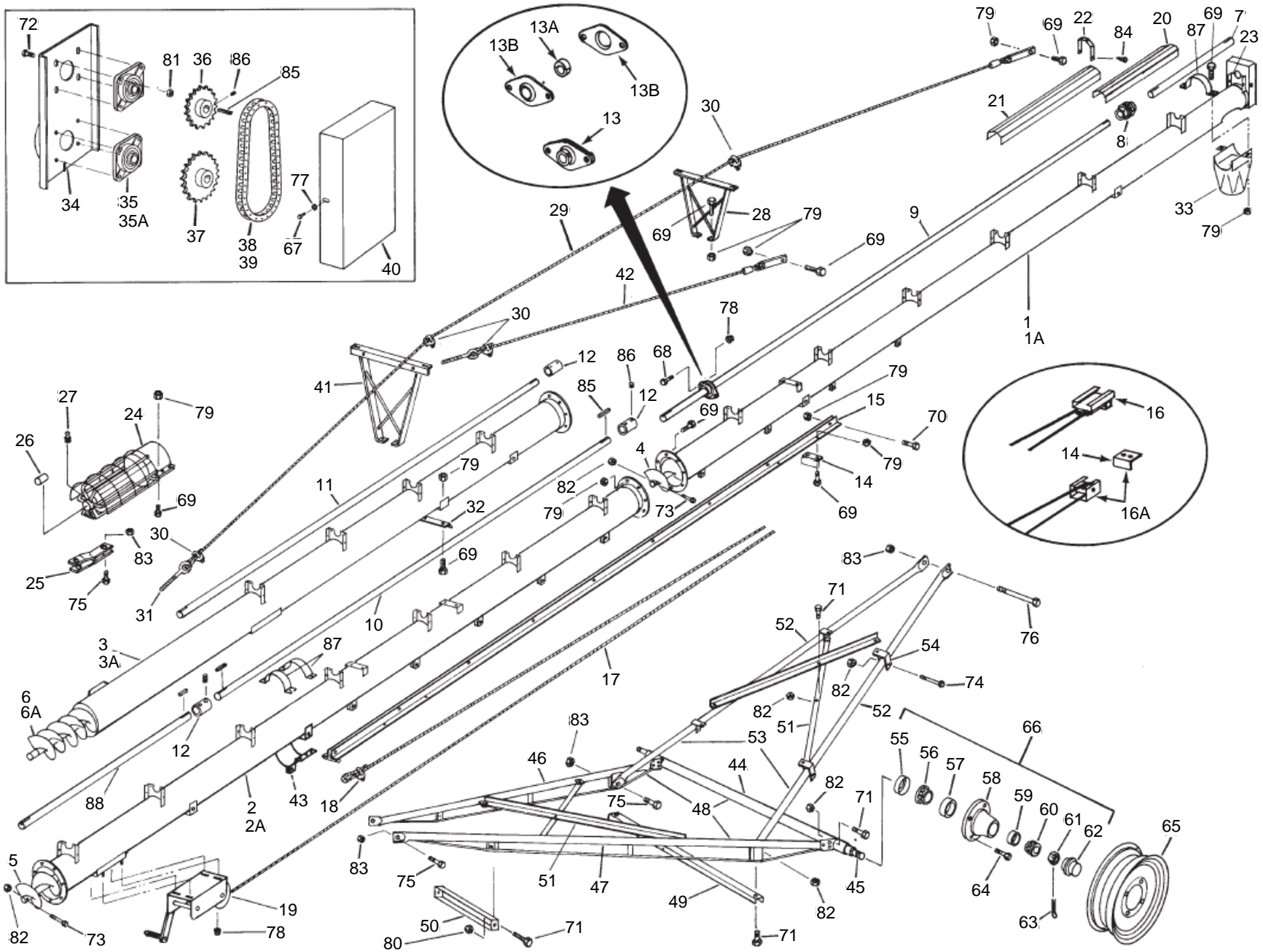
W100-61_BASIC_AUGER

ITEM	PART NO.	DESCRIPTION
43	10-19358	Lower reach tube, left
44	10-19359	Lower reach tube, right
45	10-19369	Lower reach frame bundle as shipped, incl. #48
46	10-19378	crossmember
47	10-18914	2 Bolt crossmember
48	10-19796	Single crossbrace
49	10-19524	Upper lift tube, left or right
50	10-19534	Upper lift bundle, as shipped, includes Ref. #46
51	10-19797	Tube clamp, less bolt
52	10-19264	Seal
53	10-19265	Large bearing, Timken #LM 67048
54	10-19266	Large cup, Timken #LM 67010
55	10-19267	Hub w/cups
56	10-19268	Small cup, Timken #LM 11910
57	10-19269	Small bearing, Timken #LM 11949
58	10-19270	Slotted nut, 3/4" - 16
59	10-19272	Dust cap
60	10-19271	Cotter pin, 1/8" x 1-1/2"
61	10-19273	Wheel bolt, 1/2" - 20 x 1"
62	10-19261	15" Wheel, 4 bolt
63	10-19467	Hub assembly, complete
64	10-19538	Bolt, 5/16" - 18 x 3/4", grade 2
65	10-19540	Bolt, 3/8" - 16 x 3/4", grade 2
66	10-19542	Bolt, 7/16" - 14 x 1", grade 5
67	10-19981	Bolt, 7/16" - 14 x 1-3/4", grade 5
68	10-19588	Bolt, 1/2" - 13 x 1-1/4", grade 5
69	10-19589	Bolt, 1/2" - 13 x 1-1/2", grade 2
70	10-19798	Bolt, 1/2" - 13 x 2-3/4", grade 8
71	10-19799	Bolt, 1/2" - 13 x 4-1/2", grade 2
72	10-19592	Bolt, 3/4" - 10 x 2", grade 5
73	10-19593	Bolt, 3/4" - 10 x 6-1/2", grade 5
74	10-19603	Lockwasher, 5/16"
75	10-19596	Washer-locknut, 3/8" - 16
76	10-19598	Locknut, 7/16" - 14
77	10-19605	Lockwasher, 1/2"
78	10-19602	hex nut, 1/2" - 13
79	10-19599	Locknut, 1/2" - 13
80	10-19601	Locknut, 3/4" - 10
81	10-19274	self-tapping screw, #14 x 5/8", w/washerhead
82	10-19606	Square key, 1/4" x 1-1/2"
83	10-19225	Set screw, 3/8" - 16 x 3/8"
84	10-19801	TUBE HALFBAND
85	10-19728	Basic carton



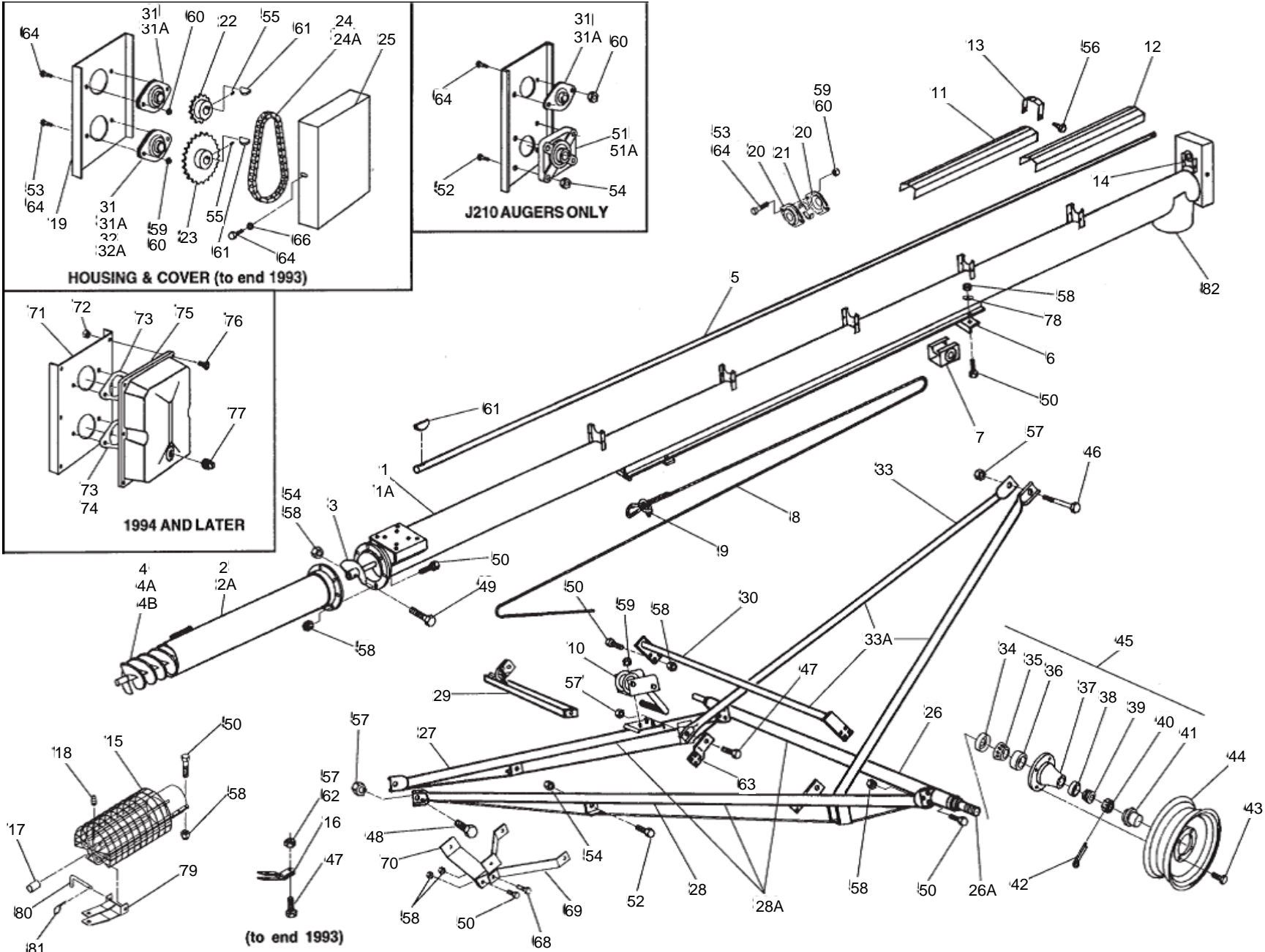
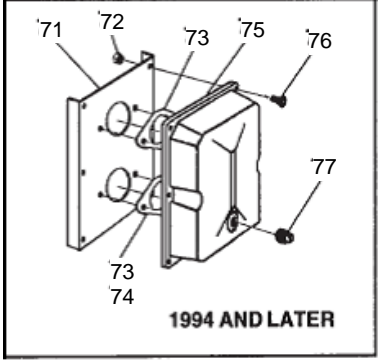
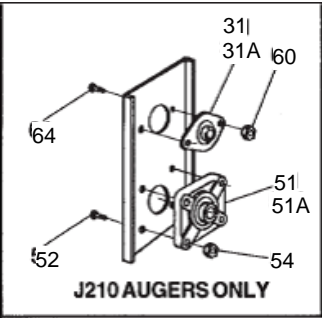
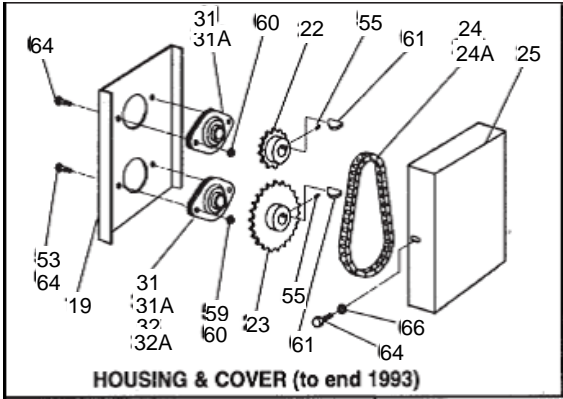
W100-71_BASIC_AUGER

ITEM	PART NO.	DESCRIPTION
1	10-19745	Upper tube section w/driveshaft, housing
1A	10-19746	Upper tube bundle, as shipped
2	10-19747	Center tube section w/driveshaft
2A	10-19748	Center tube bundle, as shipped
3	10-19751	Lower tube section with driveshaft
3A	10-19752	Lower tube bundle, as shipped
4	10-19753	Upper flight section
5	10-19757	Center flight section
6	10-19759	Lower flight section
6A	10-19760	30" Weld-on crimped intake flight
7	10-19763	Short upper driveshaft, 48" long
8	10-19771	Chain flex connector
9	10-19766	Upper driveshaft, 21' 1" long
10	10-19943	Center driveshaft, 18' 9" long
11	10-19769	Lower driveshaft, 16' 4" long
12	10-19770	Driveshaft connector, 1-1/4" bore
13A	10-18693	1-1/4" split hardwood bearing, set of 2 halves
13B	10-18695	1-1/4" bearing flange, single, 2 bolt
13	10-19244	1-1/4" ball bearing w/set screws, flanges
14	10-18762	Angle track stop only
15	10-19259	Bolt-on track
16A	10-17071	Roller track shoe (replaces #19137)
16	10-19137	Slider track shoe (N/A replaced by 17071)
17	10-19253	1/4" Cable, 74' long
18	10-19147	1/4" Cable clamp
19	10-19569	Winch, 15:1 ratio
20	10-19254	Driveshaft shield, 42" long
21	10-19255	Driveshaft shield, 48" long
22	10-19256	Shield tie-down strap
23	10-19773	Upper shield attach bracket
24	10-19774	Intake hitch w/shield, bushing, grease fitting
25	10-19775	Clevis, less bolt
26	10-19776	1-1/4" Bushing
27	10-19222	Press-in grease fitting
28	10-19324	Truss support bracket, low
29	10-19329	Single truss cable w/end plate, 51' long
30	10-19333	5/16" Cable clamp
31	10-19331	Eye bolt w/nut
32	10-19332	Truss attach angle
33	10-29307	Spout, less half band
34	10-19778	Upper drive housing
35A	10-18852	1-1/4" Bearing, less flange
35	10-19567	1-1/4" Bearing, w/4 bolt flange
36	10-19779	Upper sprocket, 18 tooth
37	10-19780	Lower sprocket, 21 tooth
38	10-19781	Roller chain w/connector
39	10-19323	Roller chain connector only
40	10-19782	Housing cover
41	10-19325	Truss support bracket, high
42	10-19330	Short single truss cable w/end plate, 18' 2" long



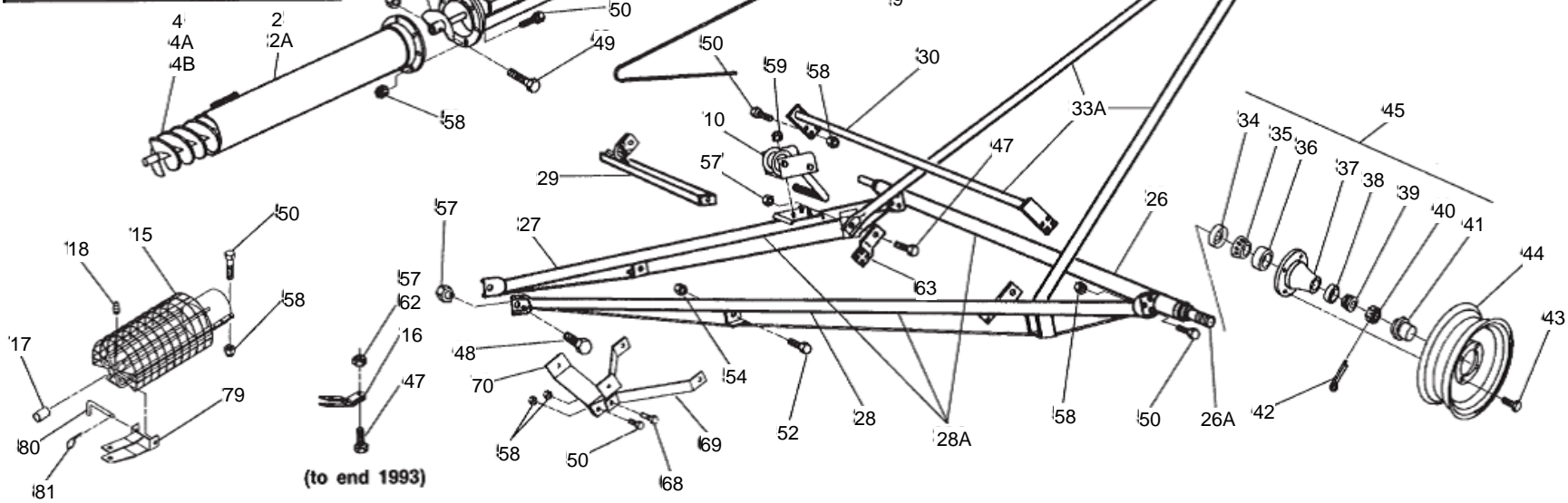
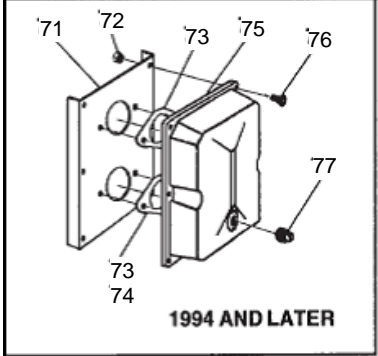
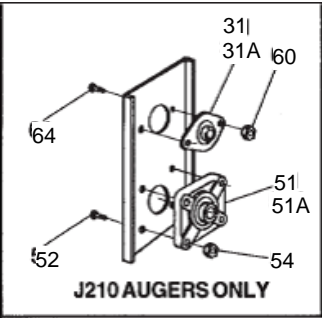
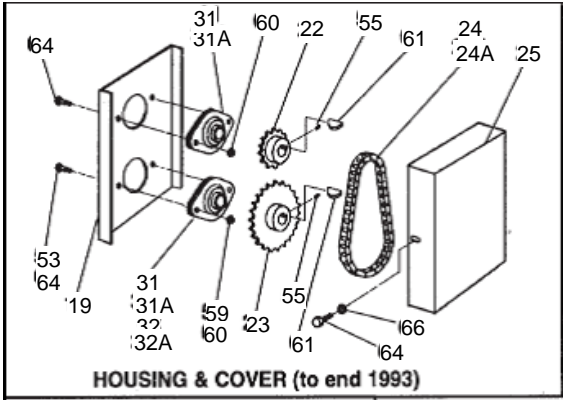
W100-71_BASIC_AUGER

ITEM	PART NO.	DESCRIPTION
43	10-18555	Strap-on track attach clamp
44	10-19343	Axle w/spindle, nuts, cotter pins
45	10-19263	Spindle, weld-on
46	10-19360	Lower reach tube, left
47	10-19361	Lower reach tube, right
48	10-19370	Lower reach frame bundle as shipped, incl. #51
49	10-19379	Crossmember
50	10-18914	Short crossmember 2 bolt
51	10-19796	Single crossbrace
52	10-19525	Upper lift tube, left or right
53	10-19535	Upper lift bundle, as shipped, includes Ref. #49
54	10-19797	Tube clamp, less bolt
55	10-19264	Seal
56	10-19265	Large bearing, Timken #LM 67048
57	10-19266	Large cup, Timken #LM 67010
58	10-19267	Hub w/cups
59	10-19268	Small cup, Timken #LM 11910
60	10-19269	Small bearing, Timken #LM 11949
61	10-19270	Slotted nut, 3/4" - 16
62	10-19272	Dust cap
63	10-19271	Cotter pin, 1/8" x 1/2"
64	10-19273	Wheel bolt, 1/2" - 20
65	10-19261	15" Wheel, 4 bolt
66	10-19467	Hub assembly, complete
67	10-19538	Bolt, 5/16" - 18 x 3/4", grade 2
68	10-19540	Bolt, 3/8" - 16 x 3/4", grade 2
69	10-19542	Bolt, 7/16" - 14 x 1", grade 5
70	10-19981	Bolt, 7/16" - 14 x 1-3/4", grade 5
71	10-19588	Bolt, 1/2" - 13 x 1-1/4", grade 5
72	10-19589	Bolt, 1/2" - 13 x 1-1/2", grade 2
73	10-19798	Bolt, 1/2" - 13 x 2-3/4", grade 8
74	10-19799	Bolt, 1/2" - 13 x 4-1/2", grade 2
75	10-19592	Bolt, 3/4" - 10 x 2", grade 5
76	10-19593	Bolt, 3/4" - 10 x 6-1/2", grade 5
77	10-19603	Lockwasher, 5/16"
78	10-19596	Washer-locknut, 3/8" - 16
79	10-19598	Locknut, 7/16" - 14
80	10-19605	Lockwasher, 1/2"
82	10-19599	Locknut, 1/2" - 13
83	10-19601	Locknut, 3/4" - 10
84	10-19274	self-tapping screw, #14 x 5/8", w/washerhead
85	10-19606	Square key, 1/4" x 1-1/2"
86	10-19225	Set screw, 3/8" - 16 x 3/8"
87	10-19801	Tube halfband
88	10-19768	Center driveshaft 6' 4" long
89	10-19729	Basic carton



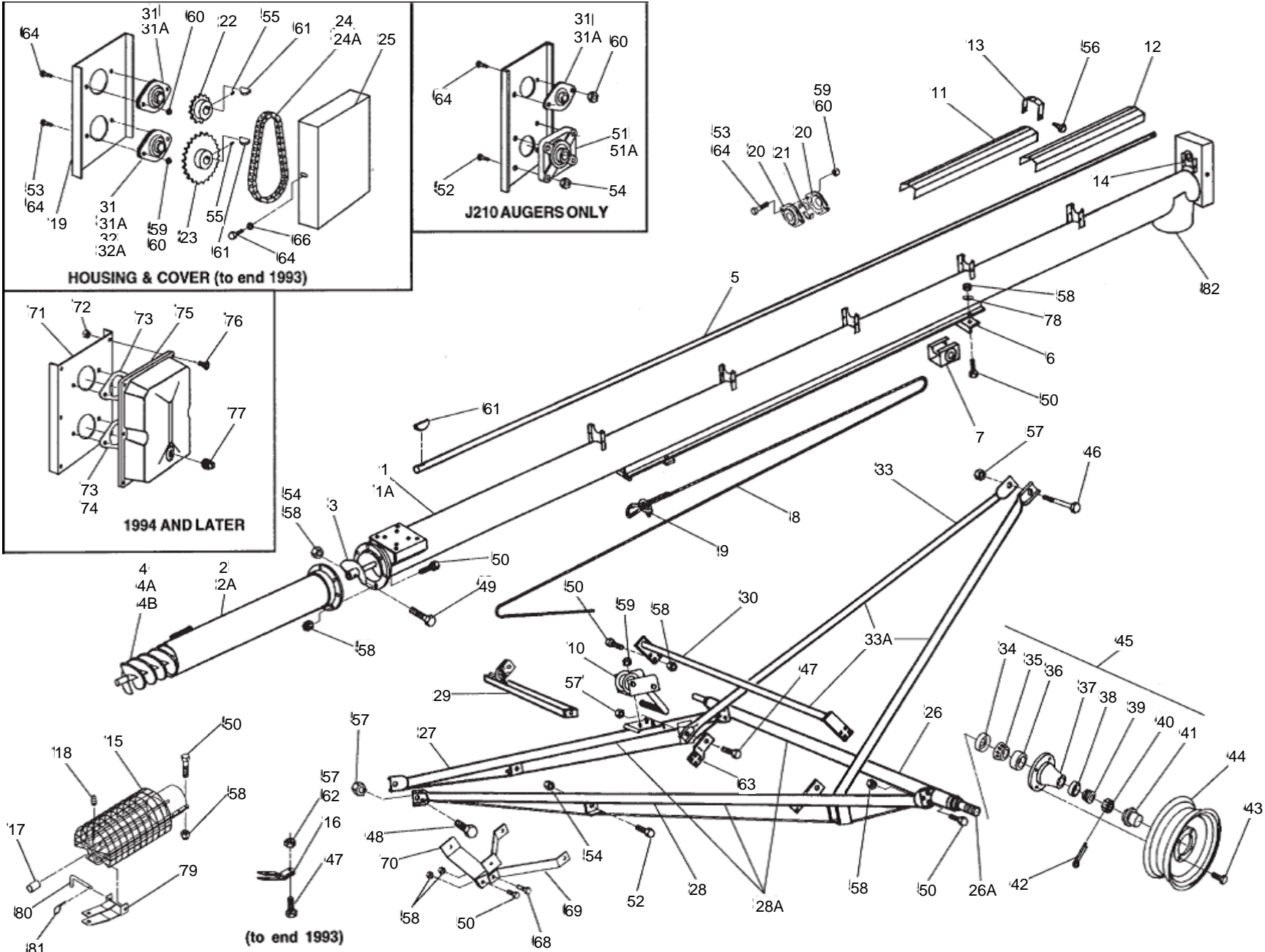
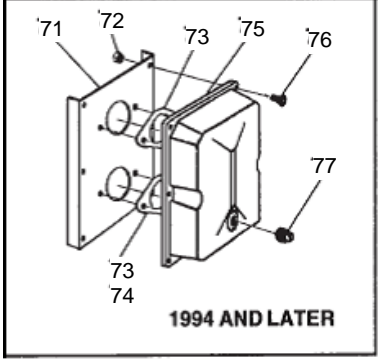
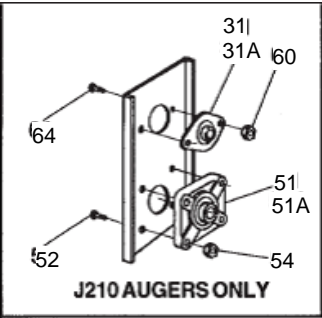
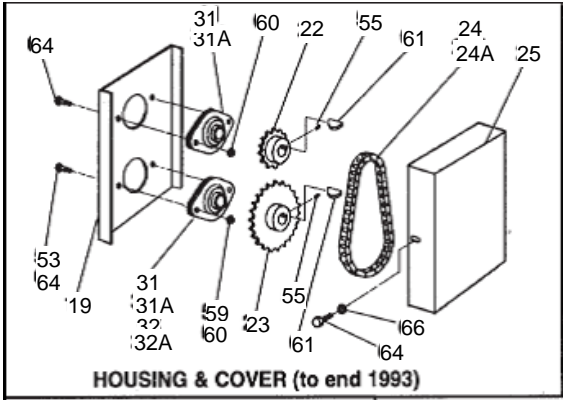
J206-31_BASIC_AUGER

ITEM	PART NO.	DESCRIPTION
1	10-18703	Upper tube section w/driveshaft, housing, track
1A	10-18714	Upper tube bundle, as shipped
2	10-19007	Lower tube section
2A	10-19060	Lower tube bundle, as shipped
3	10-19006	Upper flight section
4B	10-17532	Slip on intake flight (1998 & later)
4	10-19010	Lower flight section
4A	10-19083	Weld-on crimped intake flight
5	10-18700	Driveshaft, upper, 1" x 24' 2"
6	10-18762	Track stop
7	10-18763	Roller track shoe
8	10-18822	1/4" Cable, 27' long
9	10-19147	1/4" Cable clamp
10	10-19151	Brake winch
11	10-19254	42" Driveshaft shield
12	10-19255	48" Driveshaft shield
13	10-19256	Shield tie down strap
14	10-19257	Shield attach bracket
15	10-19019	Intake hitch w/shield, bushing, grease fitting
16	10-19442	Clevis, less bolt
17	10-19149	1" Bushing
18	10-19222	Press-in grease fitting
19	10-19313	Upper drive housing
20	10-18694	1" Bearing flange, single
21	10-18692	1" Split hardwood bearing, set of 2 halves
22	10-19131	Upper sprocket
23	10-19132	Lower sprocket
24	10-19015	Roller chain w/connector
24A	10-19134	Roller chain connector only
25	10-19317	Housing cover
26	10-18787	Axle w/spindles, nuts, cotter pins
26A	10-19262	Weld-on spindle only
27	10-18765	Lower reach tube, left
28	10-18770	Lower reach tube, right
28A	10-18775	Lower reach frame bundle as shipped incl. pn#18807
29	10-18793	Short crossmember
30	10-18796	Long crossmember
31A	10-18817	1" Bearing, less flange
31	10-19321	1" Flangette bearing, 2 bolt
33A	10-18781	Upper lift tube bundle, as shipped, incl. ref.#30
33	10-19381	Upper lift tube, left or right, single
34	10-19264	Seal
35	10-19265	Large bearing, Timken #LM 67048
36	10-19266	Large cup, Timken #LM 67010
37	10-19267	Hub w/cups
38	10-19268	Small cup, Timken #LM 11910
39	10-19269	Small bearing, Timken #LM 11949
40	10-19270	Slotted nut, 3/4" - 16
41	10-19272	Dust cap
42	10-19271	Cotter pin, 1/8" x 1-1/2"



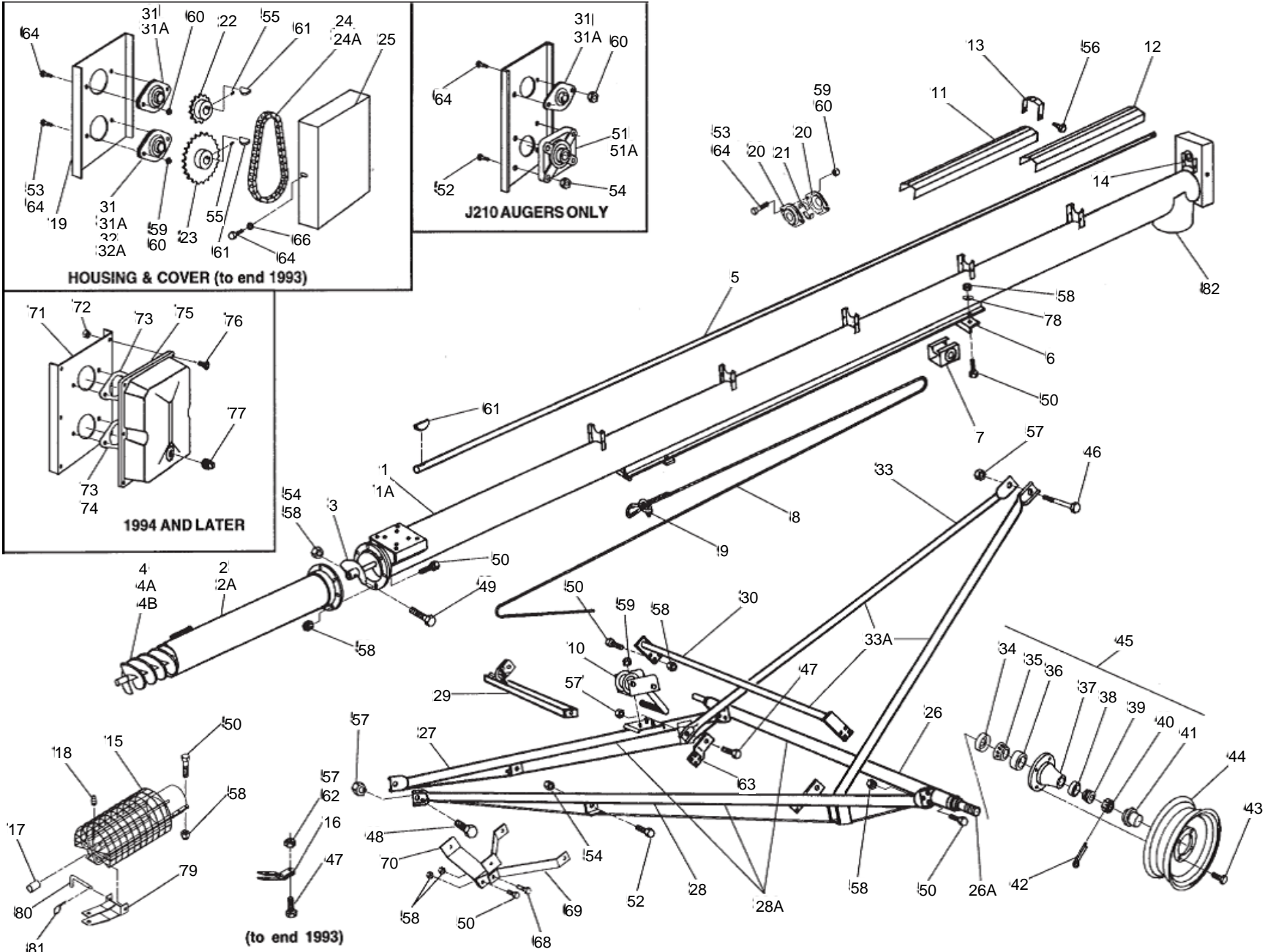
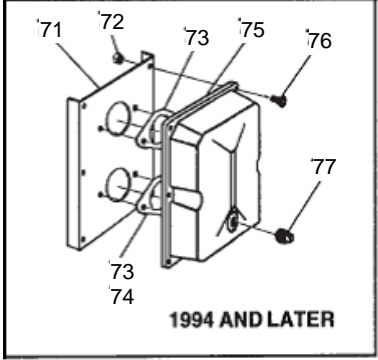
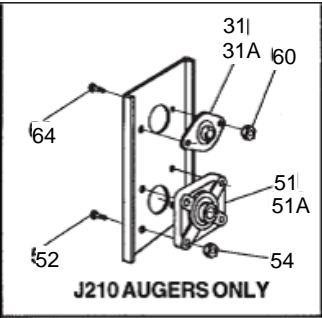
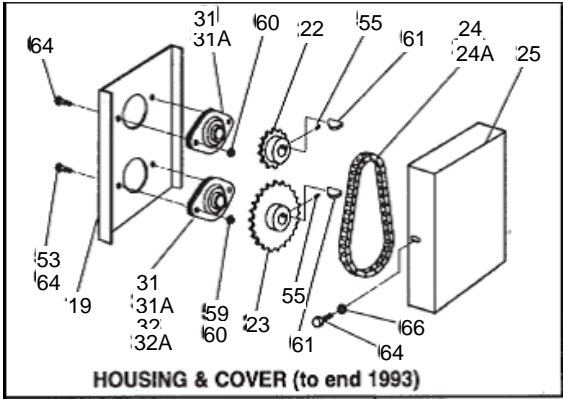
J206-31_BASIC_AUGER

ITEM	PART NO.	DESCRIPTION
43	10-19273	Wheel bolt, 1/2" - 20
44	10-19261	15" Wheel, 4 bolt
45	10-19467	Hub assembly, complete
46	10-19591	Bolt, 5/8" - 11 x 6-1/2", grade 5
47	10-19991	Bolt, 5/8" - 11 x 2", grade 5
48	10-19590	Bolt, 5/8" - 11 x 1-1/2", grade 5
50	10-19542	Bolt, 7/16" - 14 x 1", grade 5
52	10-19588	Bolt, 1/2" - 13 x 1-1/4", grade 5
54	10-19599	Locknut, 1/2" - 13
55	10-19225	Setscrew, 3/8" - 16 x 3/8"
56	10-19274	Self-tapping screw, 1/4"-14x5/8"
57	10-19600	Locknut, 5/8" - 11
58	10-19598	Locknut, 7/16" - 14
60	10-19595	Washer locknut, 5/16" - 18
61	10-19224	Woodruff key, 1/4" x 1"
63	10-18799	Upper lift tube extension
64	10-19538	Bolt, 5/16" - 18 x 3/4", grade 2
65	10-19605	lockwasher, 1/2"
66	10-19603	Lockwasher, 5/16"
68	10-19981	Bolt, 7/16" - 14 x 1-3/4", grade 5
69	10-17116	Stabilizer brace, single
70	10-17117	Stabilizer bracket, single
71	10-17170	Upper drive housing(1994&up)
72	10-19594	Washer locknut, 1/4" - 20
73	10-17167	Gasket for 1" flangette bRG
75	10-17157	Oil bath housing cover
76	10-19988	Bolt, 1/4" - 20 x 1", grade 2
77	10-17179	3/8" Plug
78	10-17182	Track washer, 7/16"
79	10-17123	Clevis, less pin
80	10-17181	CLEVIS PIN
81	10-17383	Grip Clip
82	10-19020	Weld-on outlet spout
83	10-18657	J206 - 31 Carton
87	10-18671	J31/46 Carton
88	10-18673	J6/10-31/51 Carton
89	10-18674	J1 - 5 - 0 Carton



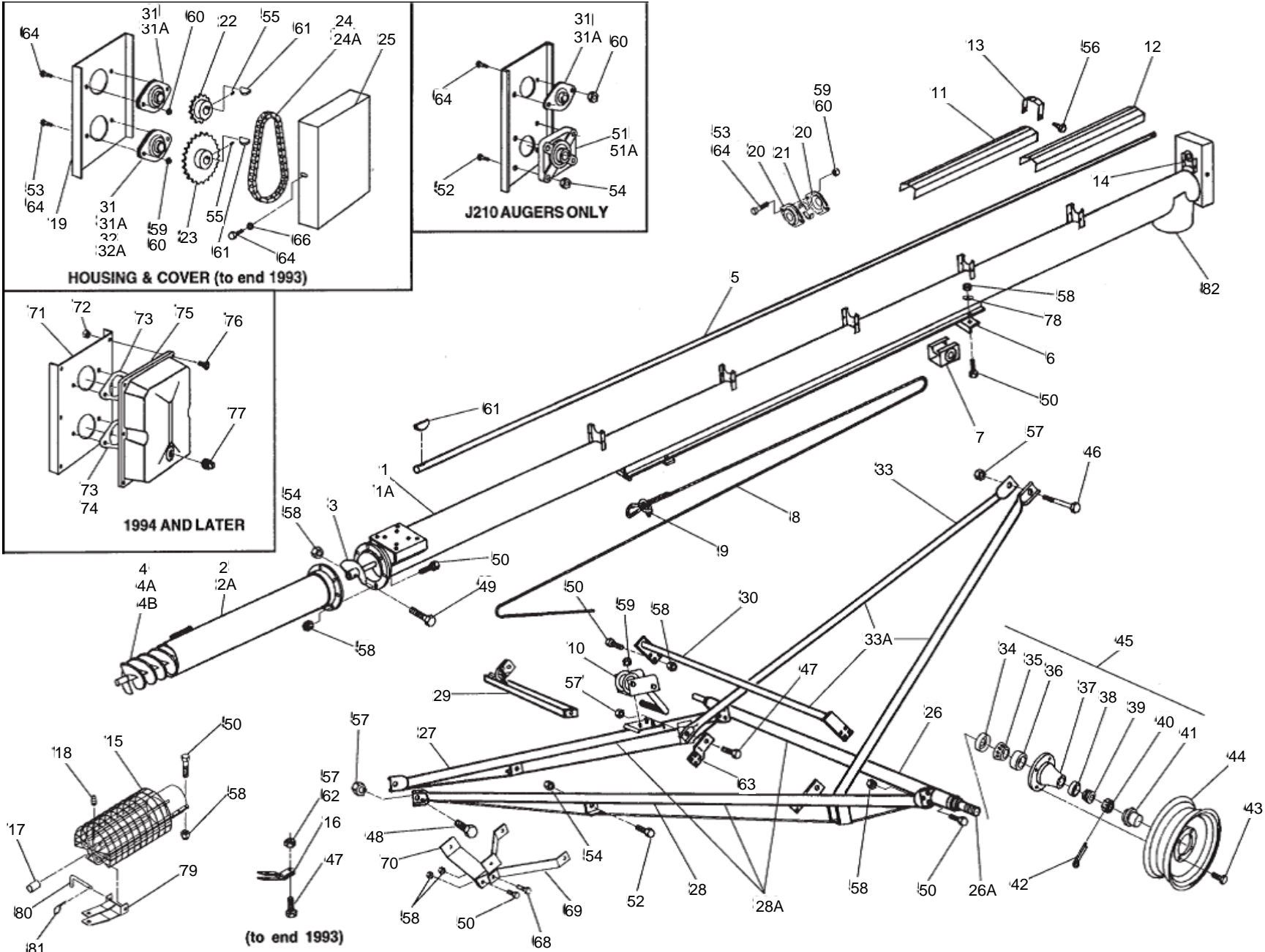
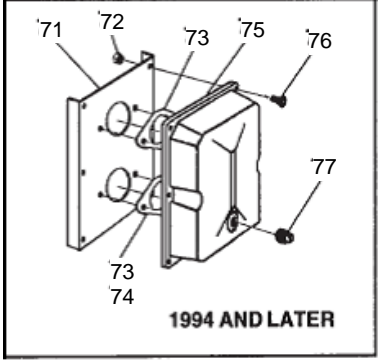
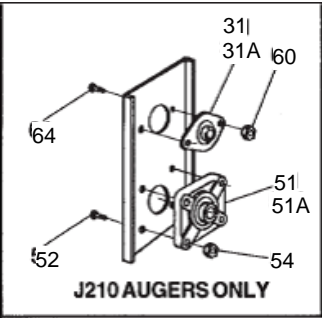
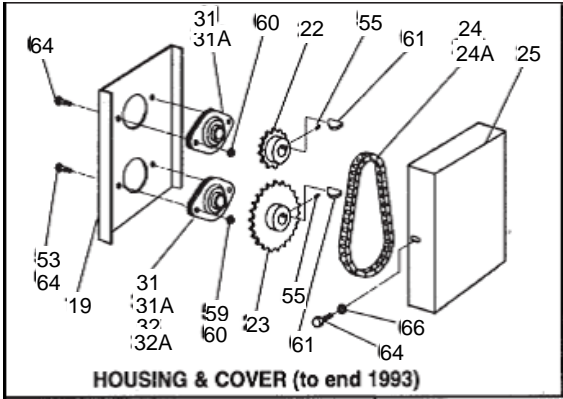
J207-31_BASIC_AUGER

ITEM	PART NO.	DESCRIPTION
1	10-18704	Upper tube section w/driveshaft, housing, track
1A	10-18715	Upper tube bundle, as shipped
2A	10-19061	Lower tube bundle, as shipped
2	10-19106	Lower tube section
3	10-19105	Upper flight section
4B	10-17533	Slip on intake flight (1998 & later)
4A	10-19084	Weld-on crimped intake flight
4	10-19111	Lower flight section
5	10-18700	Driveshaft, upper, 1" x 24' 2"
6	10-18762	Track stop
7	10-18763	Roller track shoe
8	10-18822	1/4" Cable, 27' long
9	10-19147	1/4" Cable clamp
10	10-19151	Brake winch
11	10-19254	42" Driveshaft shield
12	10-19255	48" Driveshaft shield
13	10-19256	Shield tie down strap
14	10-19257	Shield attach bracket
15	10-19192	Intake hitch w/shield, bushing, grease fitting
16	10-19442	Clevis, less bolt
17	10-19149	1" Bushing
18	10-19222	Press-in grease fitting
19	10-19314	Upper drive housing
20	10-18694	1" Bearing flange, single
21	10-18692	1" Split hardwood bearing, set of 2 halves
22	10-19131	Upper sprocket
23	10-19132	Lower sprocket
24	10-19133	Roller chain w/connector
24A	10-19134	Roller chain connector only
25	10-19318	Housing cover
26	10-18787	Axle w/spindles, nuts, cotter pins
26A	10-19262	Weld-on spindle only
27	10-18765	Lower reach tube, left
28	10-18770	Lower reach tube, right
28A	10-18775	Lower reach frame bundle as shipped incl. pn#18807
29	10-18793	Short crossmember
30	10-18796	Long crossmember
31A	10-18817	1" Bearing, less flange
31	10-19321	1" Flangette bearing, 2 bolt
33A	10-18781	Upper lift tube bundle, as shipped, incl. ref.#30
33	10-19381	Upper lift tube, left or right, single
34	10-19264	Seal
35	10-19265	Large bearing, Timken #LM 67048
36	10-19266	Large cup, Timken #LM 67010
37	10-19267	Hub w/cups
38	10-19268	Small cup, Timken #LM 11910
39	10-19269	Small bearing, Timken #LM 11949
40	10-19270	Slotted nut, 3/4" - 16
41	10-19272	Dust cap
42	10-19271	Cotter pin, 1/8" x 1-1/2"



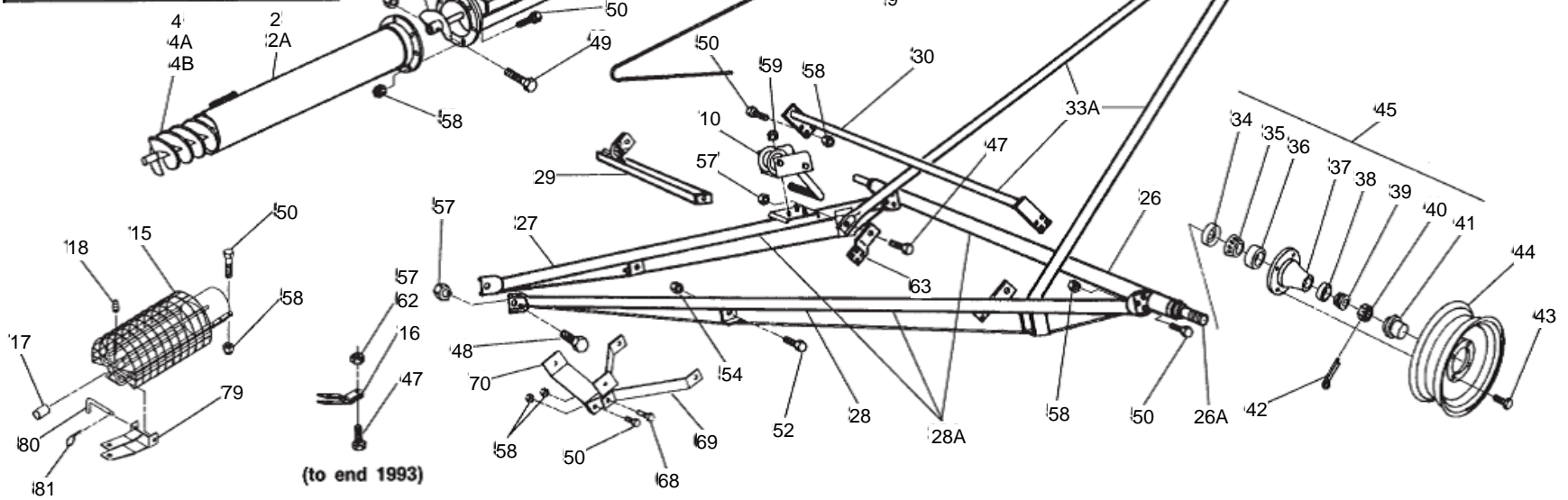
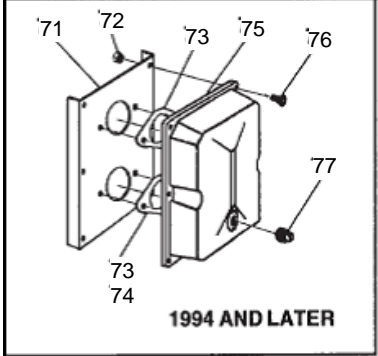
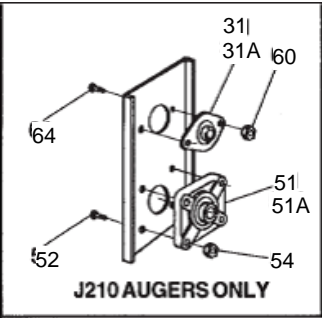
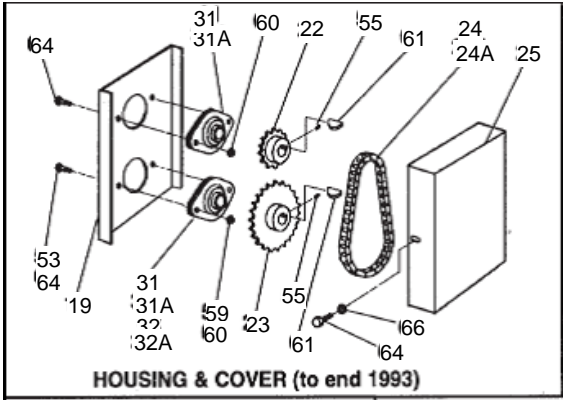
J207-31_BASIC_AUGER

ITEM	PART NO.	DESCRIPTION
43	10-19273	Wheel bolt, 1/2" - 20
44	10-19261	15" Wheel, 4 bolt
45	10-19467	Hub assembly, complete
46	10-19591	Bolt, 5/8" - 11 x 6-1/2", grade 5
47	10-19991	Bolt, 5/8" - 11 x 2", grade 5
48	10-19590	Bolt, 5/8" - 11 x 1-1/2", grade 5
50	10-19542	Bolt, 7/16" - 14 x 1", grade 5
52	10-19588	Bolt, 1/2" - 13 x 1-1/4", grade 5
54	10-19599	Locknut, 1/2" - 13
55	10-19225	Setscrew, 3/8" - 16 x 3/8"
56	10-19274	Self-tapping screw, 1/4"-14x5/8"
57	10-19600	Locknut, 5/8" - 11
58	10-19598	Locknut, 7/16" - 14
60	10-19595	Washer locknut, 5/16" - 18
61	10-19224	Woodruff key, 1/4" x 1"
63	10-18799	Upper lift tube extension
64	10-19538	Bolt, 5/16" - 18 x 3/4", grade 2
65	10-19605	lockwasher, 1/2"
66	10-19603	Lockwasher, 5/16"
68	10-19981	Bolt, 7/16" - 14 x 1-3/4", grade 5
69	10-17116	Stabilizer brace, single
70	10-17117	Stabilizer bracket, single
71	10-17171	Upper drive housing(1994&up)
72	10-19594	Washer locknut, 1/4" - 20
73	10-17167	Gasket for 1" flangette bRG
75	10-17157	Oil bath housing cover
76	10-19988	Bolt, 1/4" - 20 x 1", grade 2
77	10-17179	3/8" Plug
78	10-17182	Track washer, 7/16"
79	10-17123	Clevis, less pin
80	10-17181	Clevis pin
81	10-17383	Grip Clip
82	10-17155	Weld-on outlet spout
84	10-18660	J207 - 31 Carton
87	10-18671	J31/46 Carton
88	10-18673	J6/10-31/51 Carton
89	10-18674	J1 - 5 - 0 Carton



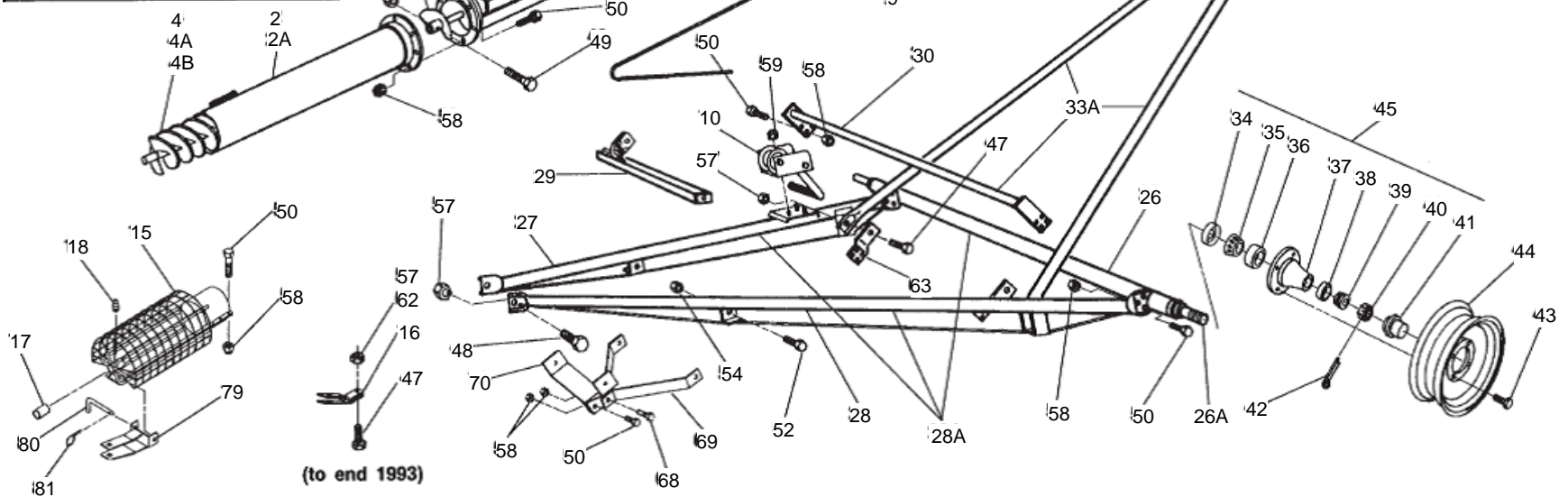
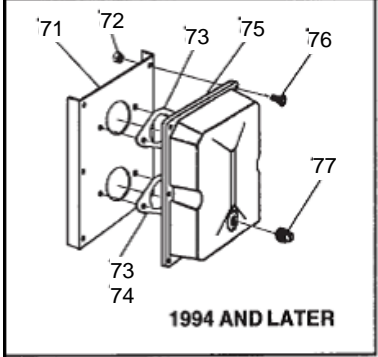
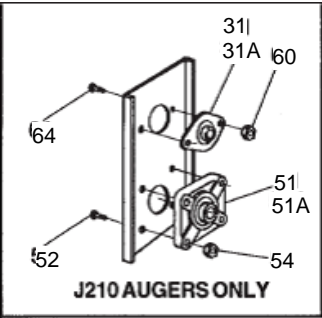
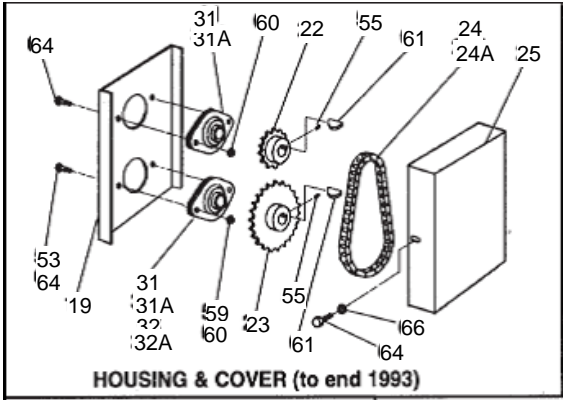
J208-31_BASIC_AUGER

ITEM	PART NO.	DESCRIPTION
1	10-18705	Upper tube section w/driveshaft, housing, track
1A	10-18716	Upper tube bundle, as shipped
2A	10-19062	Lower tube bundle, as shipped
2	10-19390	Lower tube section
3	10-19402	Upper flight section
4B	10-17534	Slip on intake flight (1998 & later)
4A	10-19085	Weld-on crimped intake flight
4	10-19393	Lower flight section
5	10-18702	Driveshaft, upper, 1-1/4" x 24'
6	10-18762	Track stop
7	10-18763	Roller track shoe
8	10-18822	1/4" Cable, 27' long
9	10-19147	1/4" Cable clamp
10	10-19151	Brake winch
11	10-19254	42" Driveshaft shield
12	10-19255	48" Driveshaft shield
13	10-19256	Shield tie down strap
14	10-19257	Shield attach bracket
15	10-19398	Intake hitch w/shield, bushing, grease fitting
16	10-19442	Clevis, less bolt
17	10-19149	1" Bushing
18	10-19222	Press-in grease fitting
19	10-19315	Upper drive housing
20	10-18694	1" Bearing flange, single
20	10-18695	1-1/4" Bearing flange, single
21	10-18693	1-1/4" Split hardwood bearing, set of 2 halves
22	10-19430	Upper sprocket
23	10-19431	Lower sprocket
24	10-19432	Roller chain w/connector
24A	10-19433	Roller chain connector only
25	10-19319	Housing cover
26	10-18787	Axle w/spindles, nuts, cotter pins
26A	10-19262	Weld-on spindle only
27	10-18765	Lower reach tube, left
28	10-18770	Lower reach tube, right
28A	10-18775	Lower reach frame bundle as shipped incl. pn#18807
29	10-18793	Short crossmember
30	10-18796	Long crossmember
31A	10-18817	1" Bearing, less flange
31	10-19321	1" Flangette bearing, 2 bolt
32A	10-18853	1-1/4" Bearing, less flange
32	10-19322	1-1/4" Flangette bearing, 2 bolts
33A	10-18781	Upper lift tube bundle, as shipped, incl. ref.#30
33	10-19381	Upper lift tube, left or right, single
34	10-19264	Seal
35	10-19265	Large bearing, Timken #LM 67048
36	10-19266	Large cup, Timken #LM 67010
37	10-19267	Hub w/cups
38	10-19268	Small cup, Timken #LM 11910
39	10-19269	Small bearing, Timken #LM 11949



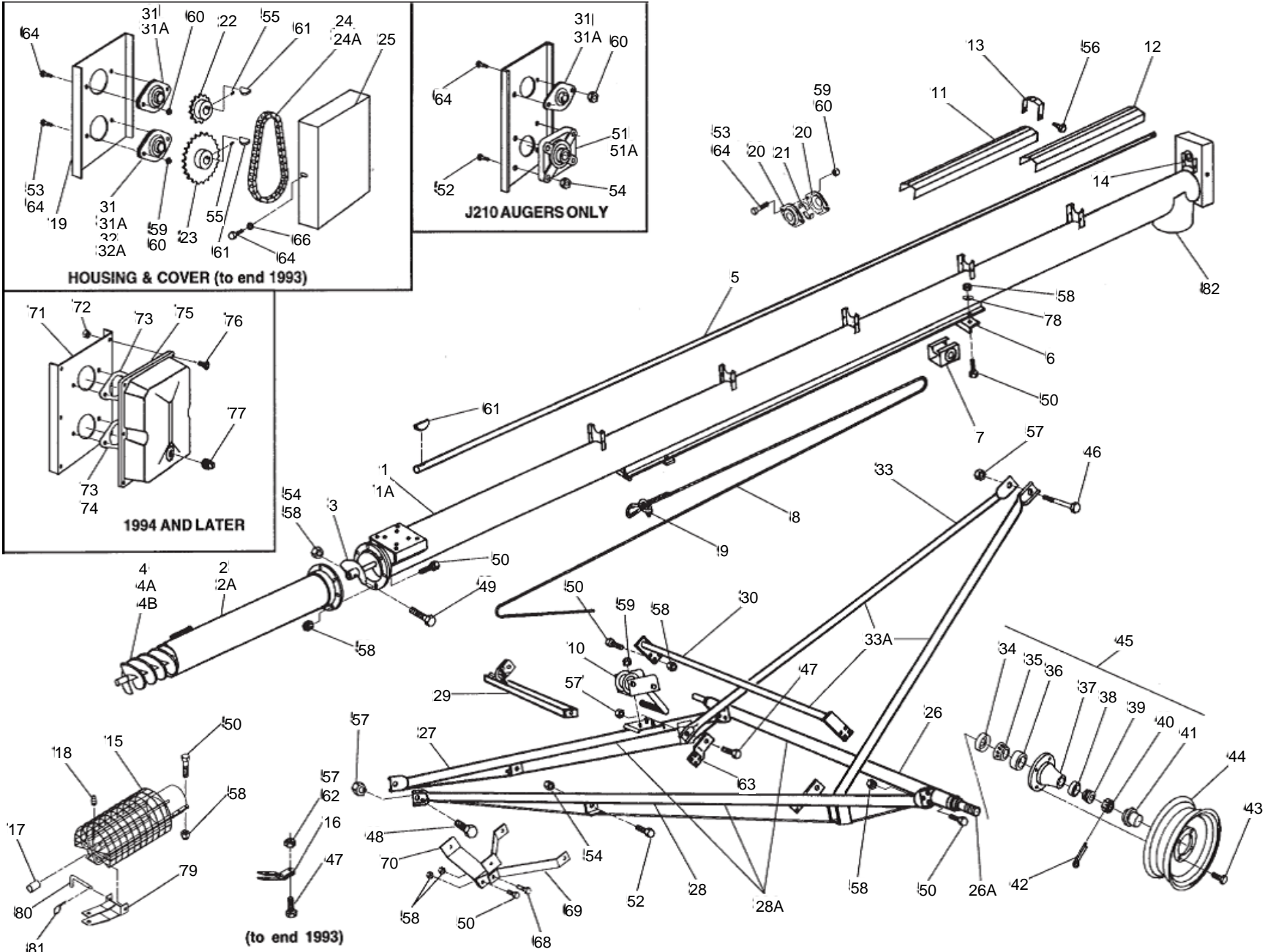
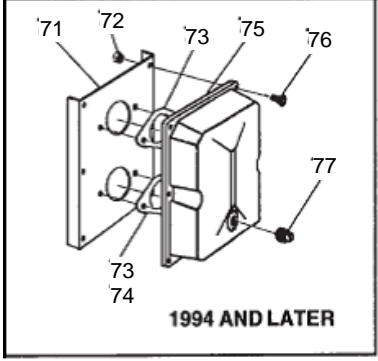
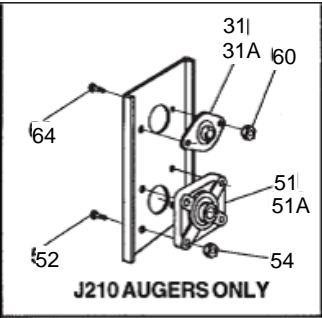
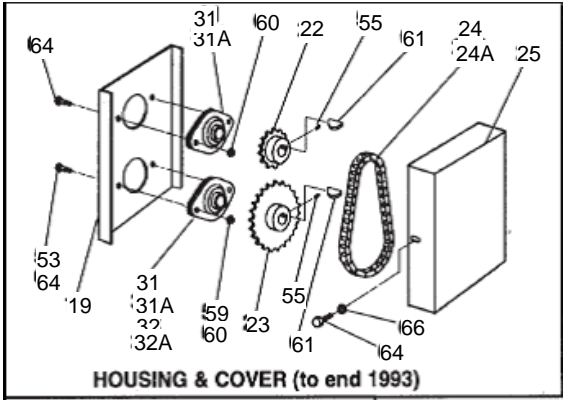
J208-31_BASIC_AUGER

ITEM	PART NO.	DESCRIPTION
40	10-19270	Slotted nut, 3/4" - 16
41	10-19272	Dust cap
42	10-19271	Cotter pin, 1/8" x 1-1/2"
43	10-19273	Wheel bolt, 1/2" - 20
44	10-19261	15" Wheel, 4 bolt
45	10-19467	Hub assembly, complete
46	10-19591	Bolt, 5/8" - 11 x 6-1/2", grade 5
47	10-19991	Bolt, 5/8" - 11 x 2", grade 5
48	10-19590	Bolt, 5/8" - 11 x 1-1/2", grade 5
49	10-19545	Bolt, 7/16" - 14 x 2-1/4", grade 8
50	10-19542	Bolt, 7/16" - 14 x 1", grade 5
52	10-19588	Bolt, 1/2" - 13 x 1-1/4", grade 5
53	10-19540	Bolt, 3/8" - 16 x 3/4", grade 2
54	10-19599	Locknut, 1/2" - 13
55	10-19225	Setscrew, 3/8" - 16 x 3/8"
56	10-19274	Self-tapping screw, 1/4"-14x5/8"
57	10-19600	Locknut, 5/8" - 11
58	10-19598	Locknut, 7/16" - 14
59	10-19596	Washer locknut, 3/8" - 16
61	10-19224	Woodruff key, 1/4" x 1"
63	10-18799	Upper lift tube extension
64	10-19538	Bolt, 5/16" - 18 x 3/4", grade 2
65	10-19605	lockwasher, 1/2"
66	10-19603	Lockwasher, 5/16"
68	10-19981	Bolt, 7/16" - 14 x 1-3/4", grade 5
69	10-17116	Stabilizer brace, single
70	10-17117	Stabilizer bracket, single
71	10-17172	Upper drive housing(1994&up)
72	10-19594	Washer locknut, 1/4" - 20
73	10-17167	Gasket for 1" flangette bRG
74	10-17168	Gasket for 1-1/4" flangette BEARING
75	10-17158	Oil bath housing cover
76	10-19988	Bolt, 1/4" - 20 x 1", grade 2
77	10-17179	3/8" Plug
78	10-17182	Track washer, 7/16"
79	10-17123	Clevis, less pin
80	10-17181	Clevis pin
81	10-17383	Grip Clip
82	10-17156	Weld-on outlet spout
85	10-18665	J208- 31 Carton
87	10-18671	J31/46 Carton
88	10-18673	J6/10-31/51 Carton
89	10-18674	J1 - 5 - 0 Carton



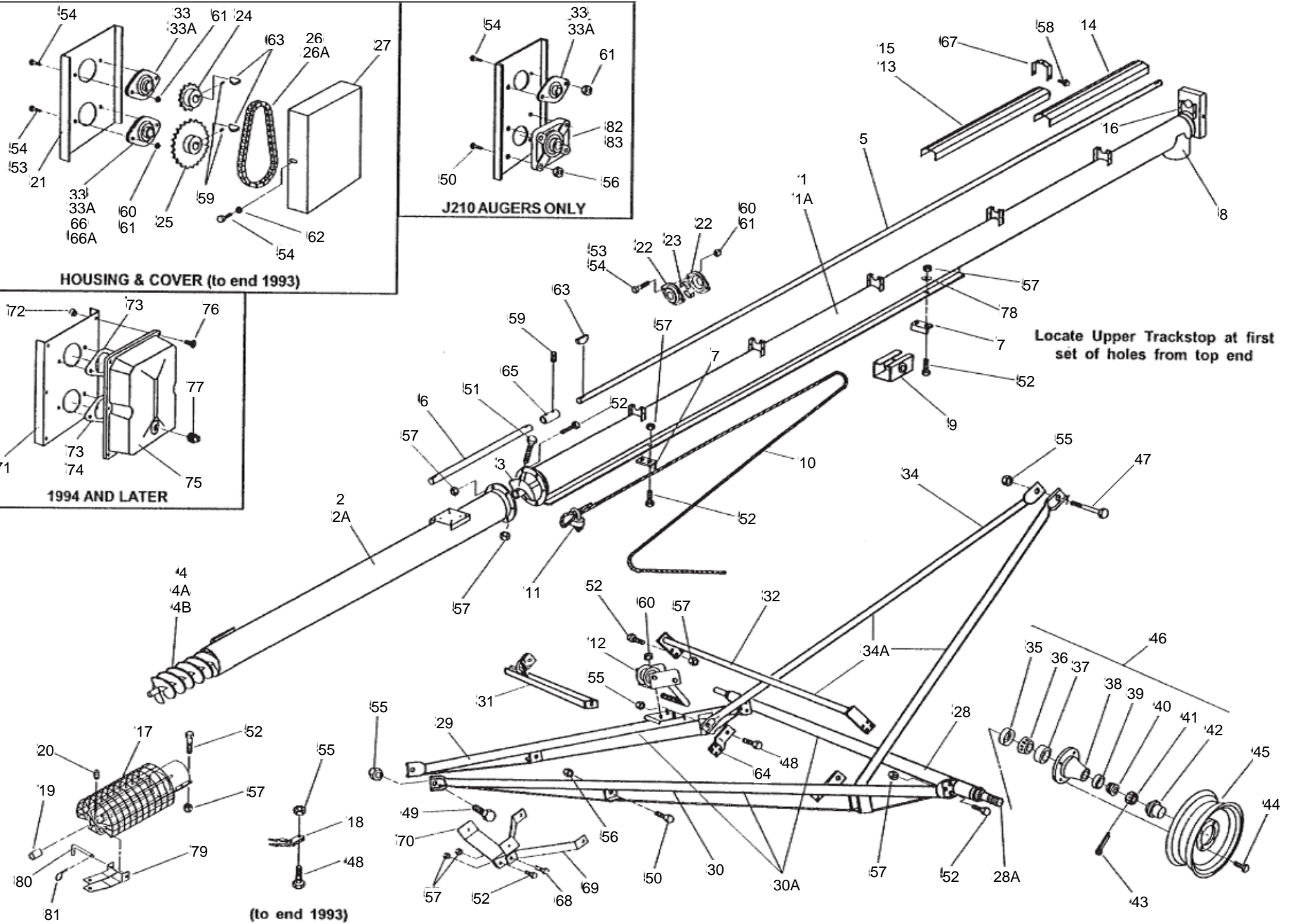
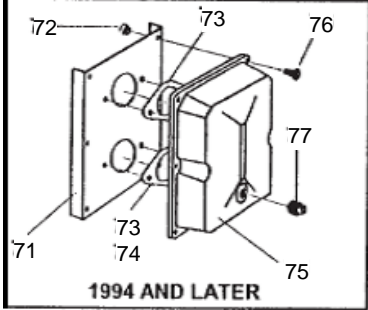
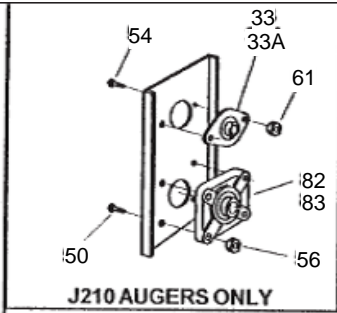
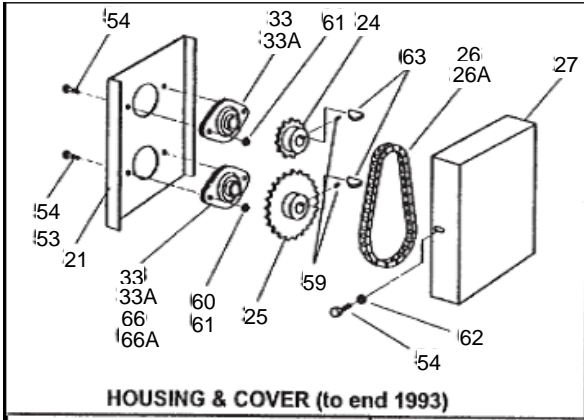
J210-31_BASIC_AUGER

ITEM	PART NO.	DESCRIPTION
1	10-18706	Upper tube section w/driveshaft, housing, track
1A	10-18717	Upper tube bundle, as shipped
2	10-19735	Lower tube section
2A	10-19736	Lower tube bundle, as shipped
3	10-19753	Upper flight section
4B	10-17535	Slip on intake flight (1998 & later)
4	10-19754	Lower flight section
4A	10-19760	Weld-on crimped intake flight
5	10-18702	Driveshaft, upper, 1-1/4" x 24'
6	10-18762	Track stop
7	10-18763	Roller track shoe
8	10-18822	1/4" Cable, 27' long
9	10-19147	1/4" Cable clamp
10	10-19152	Brake winch
11	10-19254	42" Driveshaft shield
12	10-19255	48" Driveshaft shield
13	10-19256	Shield tie down strap
14	10-19257	Shield attach bracket
15	10-19774	Intake hitch w/shield, bushing, grease fitting
16	10-19775	Clevis, less bolt
17	10-19776	1-1/4" Bushing
18	10-19222	Press-in grease fitting
19	10-18841	Upper drive housing
20	10-18694	1" Bearing flange, single
20	10-18695	1-1/4" Bearing flange, single
21	10-18693	1-1/4" Split hardwood bearing, set of 2 halves
22	10-19430	Upper sprocket
23	10-18697	Lower sprocket
24	10-18696	Roller chain w/connector
24A	10-19433	Roller chain connector only
25	10-18842	Housing cover
26	10-18787	Axle w/spindles, nuts, cotter pins
26A	10-19262	Weld-on spindle only
27	10-18721	Lower reach tube, left
28	10-18724	Lower reach tube, right
28A	10-18786	Lower reach frame bundle as shipped incl. pn#18807
29	10-18793	Short crossmember
30	10-18796	Long crossmember
31A	10-18817	1" Bearing, less flange
31	10-19321	1" Flangette bearing, 2 bolt
33A	10-18780	Upper lift tube bundle, as shipped, incl. ref.#30
33	10-19787	Upper lift tube, left or right, single
34	10-19264	Seal
35	10-19265	Large bearing, Timken #LM 67048
36	10-19266	Large cup, Timken #LM 67010
37	10-19267	Hub w/cups
38	10-19268	Small cup, Timken #LM 11910
39	10-19269	Small bearing, Timken #LM 11949
40	10-19270	Slotted nut, 3/4" - 16
41	10-19272	Dust cap



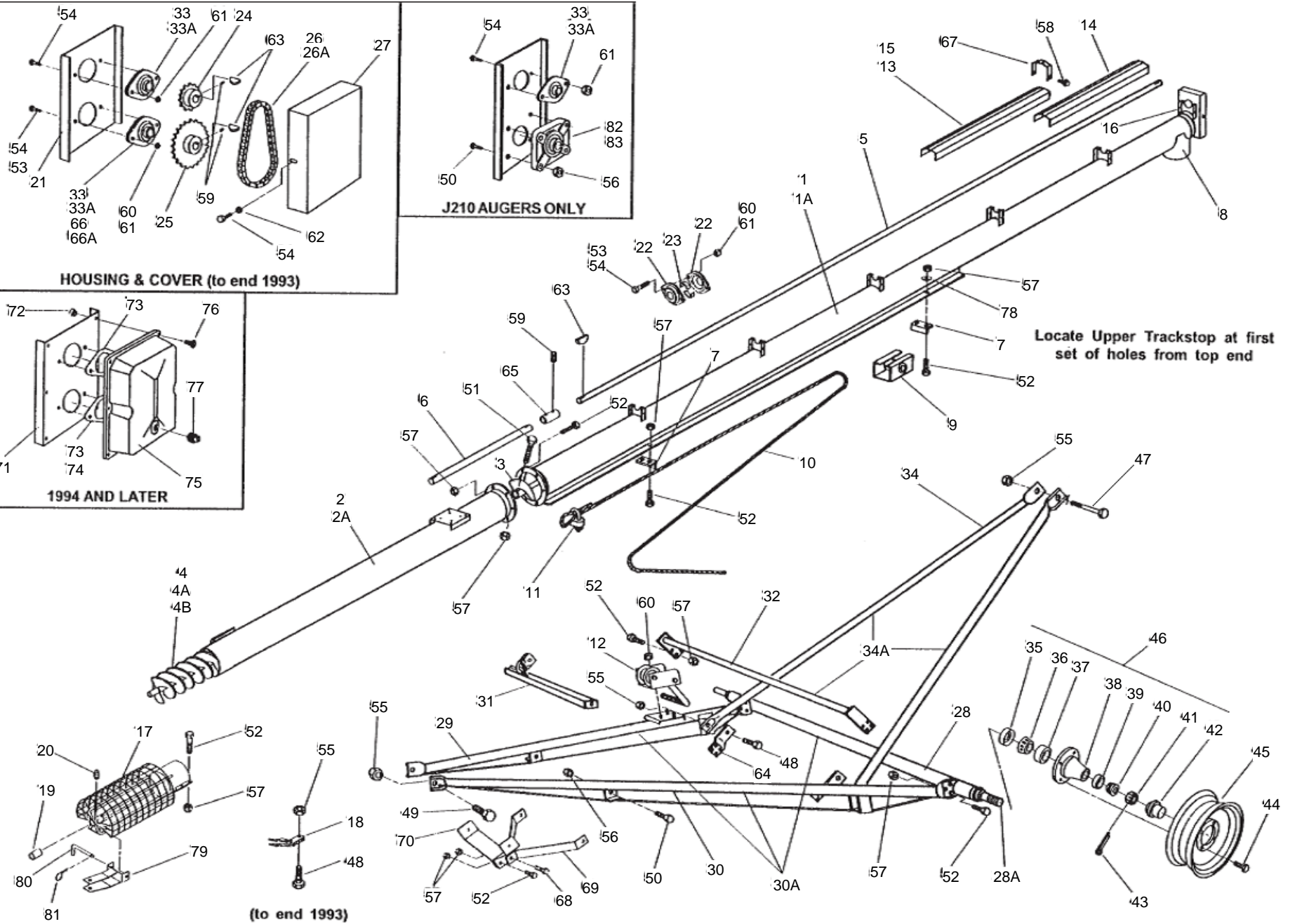
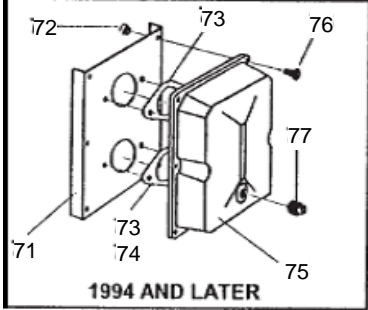
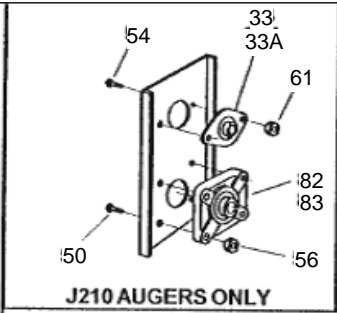
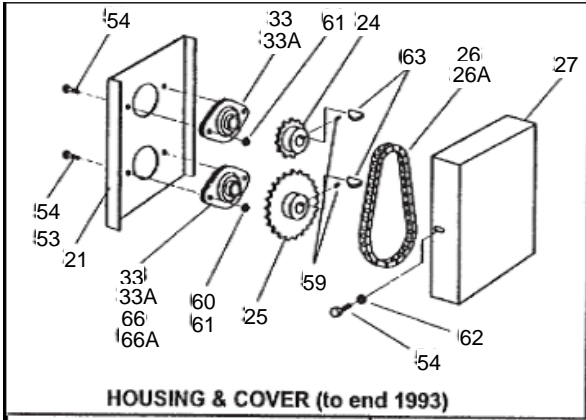
J210-31_BASIC_AUGER

ITEM	PART NO.	DESCRIPTION
42	10-19271	Cotter pin, 1/8" x 1-1/2"
43	10-19273	Wheel bolt, 1/2" - 20
44	10-19261	15" Wheel, 4 bolt
45	10-19467	Hub assembly, complete
46	10-19591	Bolt, 5/8" - 11 x 6-1/2", grade 5
47	10-19592	Bolt, 3/4" - 10 x 2", grade 5
48	10-19590	Bolt, 5/8" - 11 x 1-1/2", grade 5
49	10-19798	Bolt, 1/2" - 13 x 2-3/4", grade 8
50	10-19542	Bolt, 7/16" - 14 x 1", grade 5
51A	10-18852	1-1/4" Bearing less flange
51	10-19567	1-1/4" Pillow bearing, 4 bolts
52	10-19588	Bolt, 1/2" - 13 x 1-1/4", grade 5
53	10-19540	Bolt, 3/8" - 16 x 3/4", grade 2
54	10-19599	Locknut, 1/2" - 13
55	10-19225	Setscrew, 3/8" - 16 x 3/8"
56	10-19274	Self-tapping screw, 1/4"-14x5/8"
57	10-19600	Locknut, 5/8" - 11
58	10-19598	Locknut, 7/16" - 14
59	10-19596	Washer locknut, 3/8" - 16
61	10-19224	Woodruff key, 1/4" x 1"
62	10-19601	Locknut, 3/4" - 10
63	10-18804	Upper lift tube extension
64	10-19538	Bolt, 5/16" - 18 x 3/4", grade 2
65	10-19605	lockwasher, 1/2"
66	10-19603	Lockwasher, 5/16"
68	10-19981	Bolt, 7/16" - 14 x 1-3/4", grade 5
69	10-17116	Stabilizer brace, single
70	10-17117	Stabilizer bracket, single
71	10-17226	Upper drive housing(1994&up)
72	10-19594	Washer locknut, 1/4" - 20
73	10-17167	Gasket for 1" flangette bRG
75	10-17160	Oil bath housing cover
76	10-19988	Bolt, 1/4" - 20 x 1", grade 2
77	10-17179	3/8" Plug
78	10-17182	Track washer, 7/16"
79	10-17180	Clevis, less pin
80	10-17181	Clevis pin
81	10-17383	Grip Clip
82	10-17225	Weld-on outlet spout
86	10-18670	J210 - 31 Carton
87	10-18671	J31/46 Carton
88	10-18673	J6/10-31/51 Carton
89	10-18674	J1 - 5 - 0 Carton



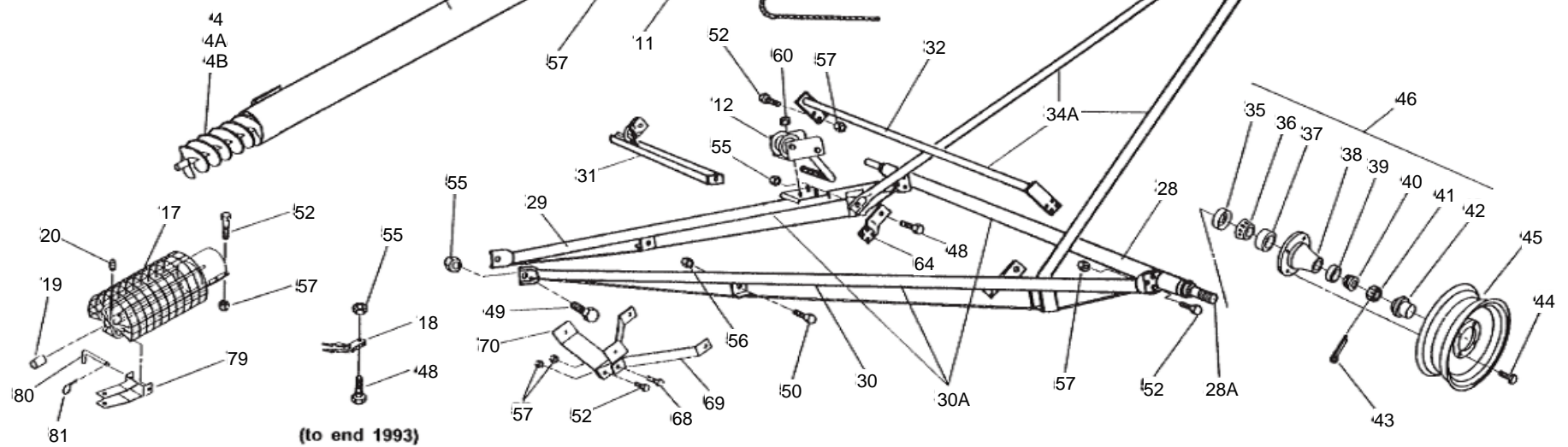
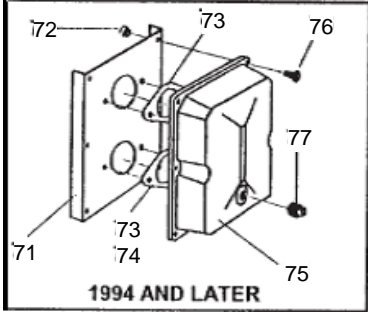
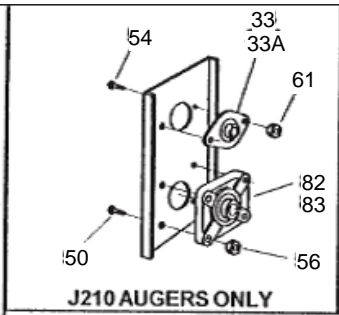
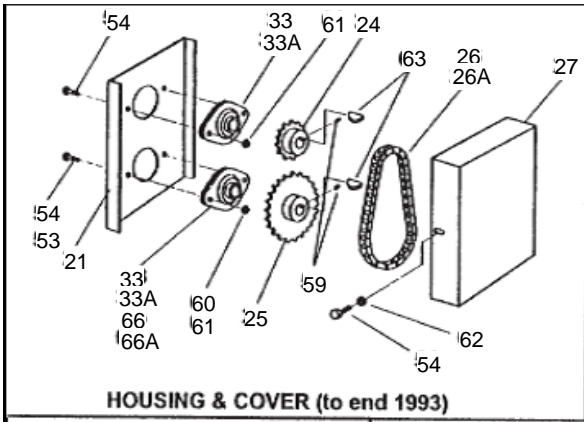
J206-36_BASIC_AUGER

ITEM	PART NO.	DESCRIPTION
1	10-18707	Upper tube section w/driveshaft, housing, track
1A	10-18718	Upper tube bundle, as shipped
2	10-18729	Lower tube section
2A	10-18747	Lower tube bundle, as shipped
3	10-19006	Upper flight section
4B	10-17532	Slip on intake flight (1998&UP)
4	10-19011	Lower flight section
4A	10-19083	Weld-on crimped intake flight
5	10-18700	Driveshaft, upper, 1" x 24' 2"
6	10-19236	Driveshaft, lower, 1" x 3' 9-1/2"
7	10-18762	Track slop
8	10-19020	Weld-on outlet spout
9	10-18763	Roller track shoe
10	10-19248	1/4" Cable, 34' 6" long
11	10-19147	1/4" Cable clamp
12	10-19151	Brake winch
13	10-19254	42" Driveshaft shield
14	10-19255	48" Driveshaft shield
15	10-18829	60" Driveshaft shield
16	10-19257	Shield attach bracket
17	10-19019	Intake hitch w/shield, bushing, grease fitting
18	10-19442	Clevis, less bolt
19	10-19149	1" Bushing
20	10-19222	Press-in grease fitting
21	10-19313	Upper drive housing
22	10-18694	1" Bearing flange, single
23	10-18692	1" Split hardwood bearing, set of 2 halves
24	10-19131	Upper sprocket, 14 tooth
25	10-19132	Lower sprocket, 25 tooth
26	10-19015	Roller chain w/connector
26A	10-19134	Roller chain connector only
27	10-19317	Housing cover
28	10-18788	Axle w/spindles, nuts, cotter pins
28A	10-19262	Weld-on spindle only
29	10-18766	Lower reach tube, left
30	10-18771	Lower reach tube, right
30A	10-18776	Lwr reach frame bundle, as shipped, w/ part #18808
31	10-18793	Short crossmember
32	10-18797	Long crossmember
33A	10-18817	1" Bearing, less flanges
33	10-19321	1" Flangette bearing, 2 bolt
34A	10-18782	Upper lift tube bundle, as shipped, incl. ref. #32
34	10-19382	Upper lift tube, left or right, single
35	10-19264	Seal
36	10-19265	Large bearing, Timken #LM 67048
37	10-19266	Large cup, Timken #LM 67010
38	10-19267	Hub w/cups
39	10-19268	Small cup, Timken #L-M 11910
40	10-19269	Small bearing, Timken #LM 11949
41	10-19270	Slotted nut, 3/4" - 16



J206-36_BASIC_AUGER

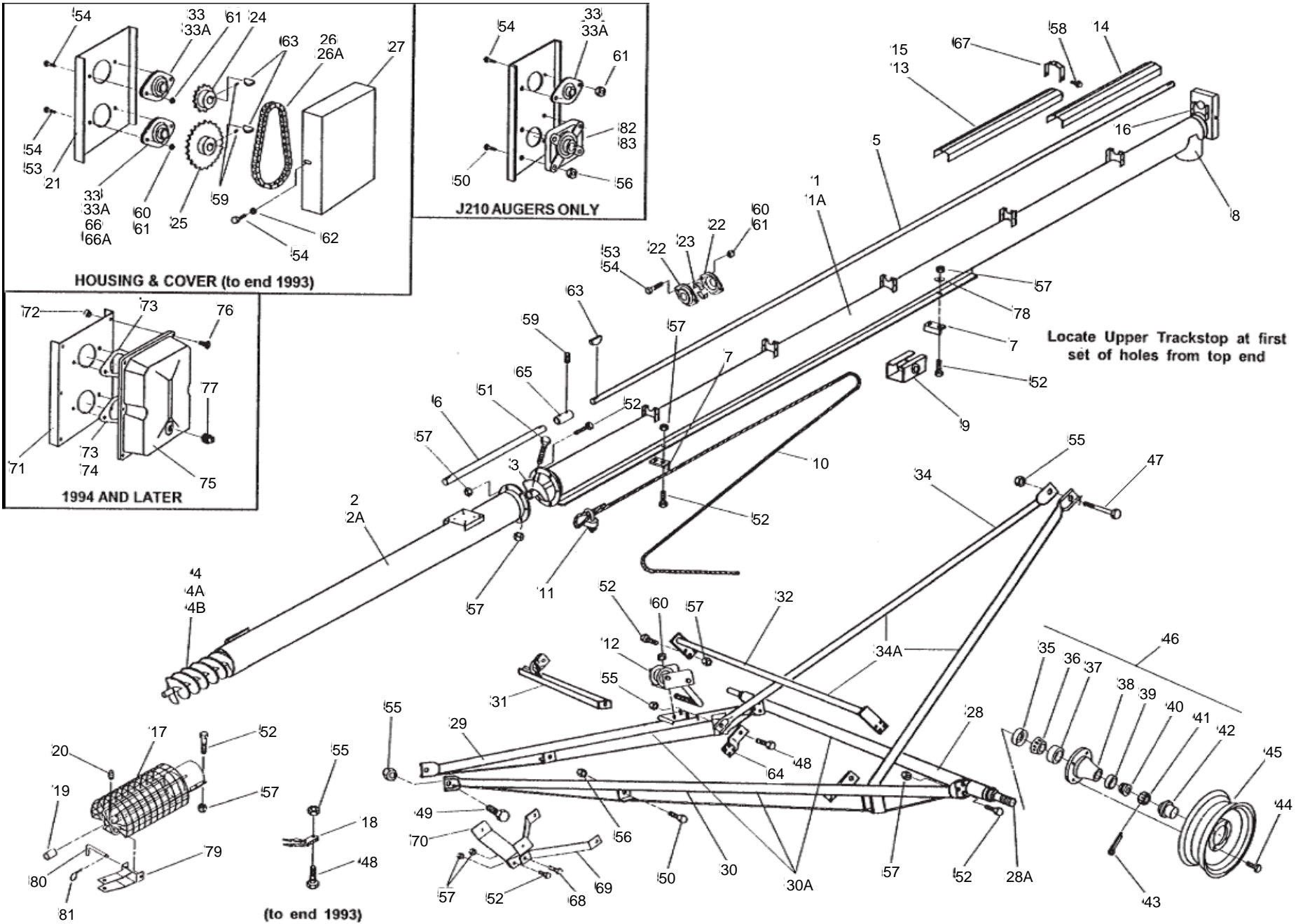
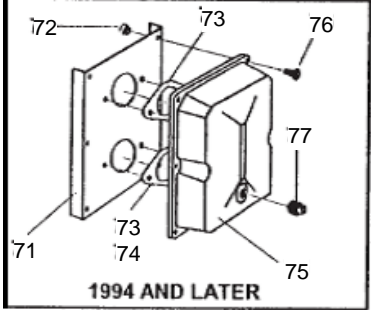
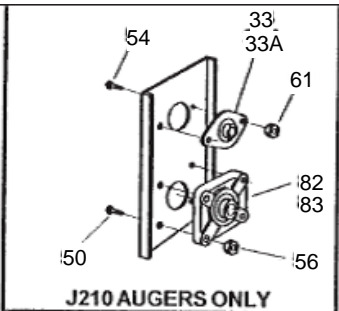
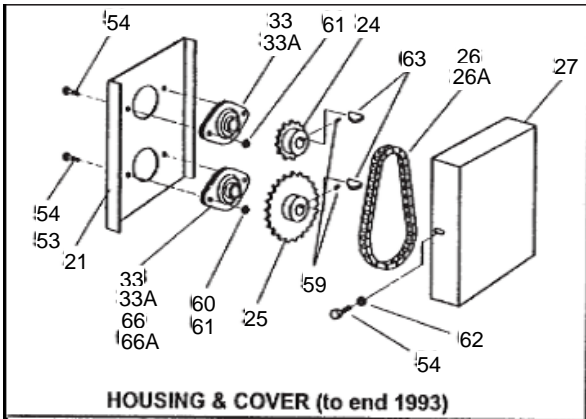
ITEM	PART NO.	DESCRIPTION
42	10-19272	Dust cap
43	10-19271	Cotter pin, 1/8" x 1-1/2
44	10-19273	Wheel Bolt, 1/2" - 20
45	10-19261	15" Wheel, 4 bolt
46	10-19467	Hub assembly, complete
47	10-19591	Bolt, 5/8" - 11 x 6-1/2", grade 5
48	10-19991	Bolt, 5/8" - 11 x 2", grade 5
49	10-19590	Bolt, 5/8" - 11 x 1-1/2", grade 5
50	10-19588	Bolt, 1/2" - 13 x 1-1/4", grade 5
52	10-19542	Bolt, 7/16" - 14 x 1", grade 5
53	10-19540	Bolt, 3/8" - 16 x 3/4", grade 2
54	10-19538	Bolt, 5/16" - 18 x 3/4", grade 2
55	10-19600	Locknut, 5/8" - 11
56	10-19599	Locknut, 1/2" - 13
57	10-19598	Locknut, 7/16" - 14
58	10-19274	Self-tapping screw, 1/4"-14x5/8"
59	10-19225	Setscrew, 3/8" - 16 x 3/8
60	10-19596	Washer locknut, 3/8" - 16
61	10-19595	Washer locknut, 5/16" - 18
62	10-19603	Lockwasher, 5/16"
63	10-19224	Woodruff key, 1/4" x 1
64	10-18799	Upper lift tube extension
65	10-19119	Driveshaft connector
67	10-19256	Shield tie down strap
68	10-19981	Bolt, 7/16" - 14 x 1-3/4", grade 5
69	10-17116	Stabilizer brace, single
70	10-17117	Stabilizer bracket, single
71	10-17170	Upper drive housing (1994&UP)
72	10-19594	Washer locknut, 1/4" - 20
73	10-17167	Gasket for 1" flangette bRG
75	10-17157	Oil bath housing cover
76	10-19988	Bolt, 1/4" - 20 x 1", grade 2
77	10-17179	3/8" Plug
78	10-17182	Track washer, 7/16
79	10-17123	Clevis less pin
80	10-17181	Clevis pin
81	10-17383	Grip Clip
84	10-18658	J206 - 36 Carton
88	10-18671	J31/46 Carton
89	10-18673	J6/10 - 31/51 Carton
90	10-18675	J1-1 -4 Carton



(to end 1993)

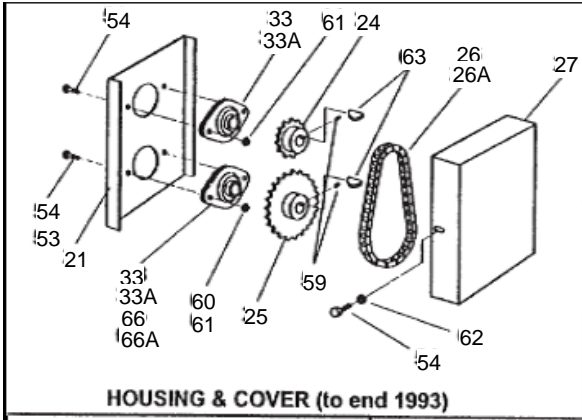
J207-36_BASIC_AUGER

ITEM	PART NO.	DESCRIPTION
1	10-18708	Upper tube section w/driveshaft, housing, track
1A	10-18719	Upper tube bundle, as shipped
2	10-18730	Lower tube section
2A	10-18748	Lower tube bundle, as shipped
3	10-19105	Upper flight section
4B	10-17533	Slip on intake flight (1998&UP)
4A	10-19084	Weld-on crimped intake flight
4	10-19112	Lower flight section
5	10-18700	Driveshaft, upper, 1" x 24' 2"
6	10-19236	Driveshaft, lower, 1" x 3' 9-1/2"
7	10-18762	Track slop
8	10-17155	Weld-on outlet spout
9	10-18763	Roller track shoe
10	10-19248	1/4" Cable, 34' 6" long
11	10-19147	1/4" Cable clamp
12	10-19151	Brake winch
13	10-19254	42" Driveshaft shield
14	10-19255	48" Driveshaft shield
15	10-18829	60" Driveshaft shield
16	10-19257	Shield attach bracket
17	10-19192	Intake hitch w/shield, bushing, grease fitting
18	10-19442	Clevis, less bolt
19	10-19149	1" Bushing
20	10-19222	Press-in grease fitting
21	10-19314	Upper drive housing
22	10-18694	1" Bearing flange, single
23	10-18692	1" Split hardwood bearing, set of 2 halves
24	10-19131	Upper sprocket, 14 tooth
25	10-19132	Lower sprocket, 25 tooth
26	10-19133	Roller chain w/connector
26A	10-19134	Roller chain connector only
27	10-19318	Housing cover
28	10-18788	Axle w/spindles, nuts, cotter pins
28A	10-19262	Weld-on spindle only
29	10-18766	Lower reach tube, left
30	10-18771	Lower reach tube, right
30A	10-18776	Lwr reach frame bundle, as shipped, w/ part #18808
31	10-18793	Short crossmember
32	10-18797	Long crossmember
33A	10-18817	1" Bearing, less flanges
33	10-19321	1" Flangette bearing, 2 bolt
34A	10-18782	Upper lift tube bundle, as shipped, incl. ref. #32
34	10-19382	Upper lift tube, left or right, single
35	10-19264	Seal
36	10-19265	Large bearing, Timken #LM 67048
37	10-19266	Large cup, Timken #LM 67010
38	10-19267	Hub w/cups
39	10-19268	Small cup, Timken #L-M 11910
40	10-19269	Small bearing, Timken #LM 11949
41	10-19270	Slotted nut, 3/4" - 16

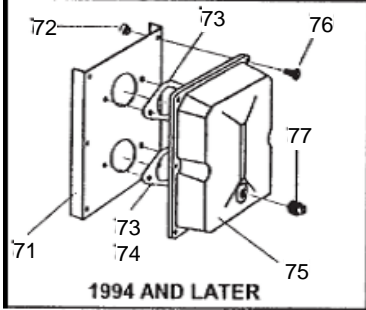


J207-36_BASIC_AUGER

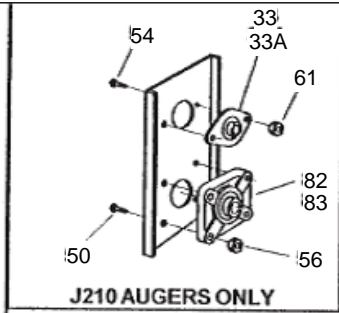
ITEM	PART NO.	DESCRIPTION
42	10-19272	Dust cap
43	10-19271	Cotter pin, 1/8" x 1-1/2
44	10-19273	Wheel Bolt, 1/2" - 20
45	10-19261	15" Wheel, 4 bolt
46	10-19467	Hub assembly, complete
47	10-19591	Bolt, 5/8" - 11 x 6-1/2", grade 5
48	10-19991	Bolt, 5/8" - 11 x 2", grade 5
49	10-19590	Bolt, 5/8" - 11 x 1-1/2", grade 5
50	10-19588	Bolt, 1/2" - 13 x 1-1/4", grade 5
52	10-19542	Bolt, 7/16" - 14 x 1", grade 5
53	10-19540	Bolt, 3/8" - 16 x 3/4", grade 2
54	10-19538	Bolt, 5/16" - 18 x 3/4", grade 2
55	10-19600	Locknut, 5/8" - 11
56	10-19599	Locknut, 1/2" - 13
57	10-19598	Locknut, 7/16" - 14
58	10-19274	Self-tapping screw, 1/4"-14x5/8"
59	10-19225	Setscrew, 3/8" - 16 x 3/8
60	10-19596	Washer locknut, 3/8" - 16
61	10-19595	Washer locknut, 5/16" - 18
62	10-19603	Lockwasher, 5/16"
63	10-19224	Woodruff key, 1/4" x 1
64	10-18799	Upper lift tube extension
65	10-19119	Driveshaft connector
67	10-19256	Shield tie down strap
68	10-19981	Bolt, 7/16" - 14 x 1-3/4", grade 5
69	10-17116	Stabilizer brace, single
70	10-17117	Stabilizer bracket, single
71	10-17171	Upper drive housing (1994&UP)
72	10-19594	Washer locknut, 1/4" - 20
73	10-17167	Gasket for 1" flangette brg
75	10-17157	Oil bath housing cover
76	10-19988	Bolt, 1/4" - 20 x 1", grade 2
77	10-17179	3/8" Plug
78	10-17182	Track washer, 7/16
79	10-17123	Clevis less pin
80	10-17181	Clevis pin
81	10-17383	Grip clip
85	10-18661	J207 - 36 Carton
88	10-18671	J31/46 Carton
89	10-18673	J6/10 - 31/51 Carton
90	10-18675	J1-1 -4 Carton



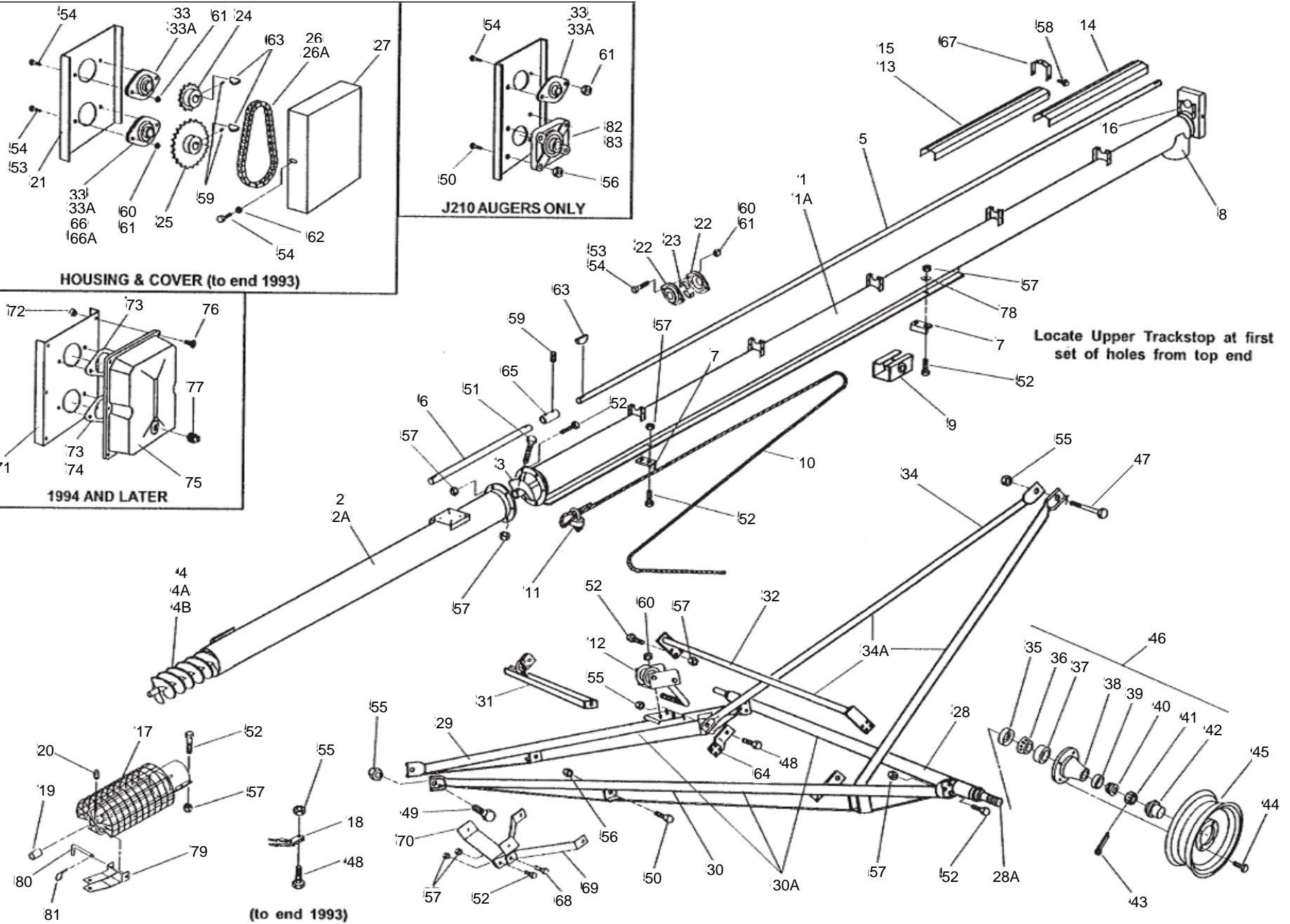
HOUSING & COVER (to end 1993)



1994 AND LATER



J210 AUGERS ONLY

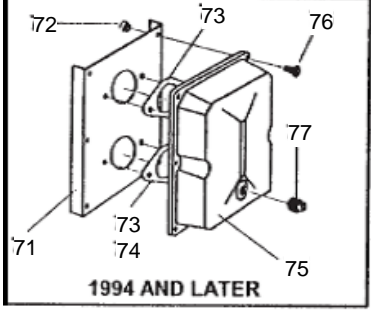
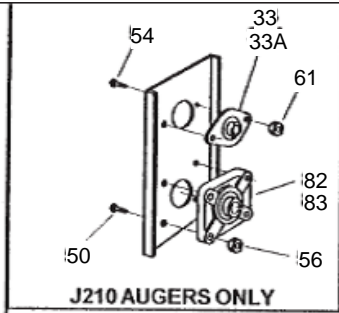
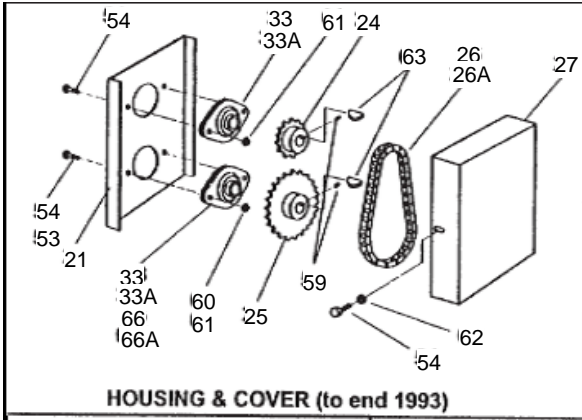


Locate Upper Trackstop at first set of holes from top end

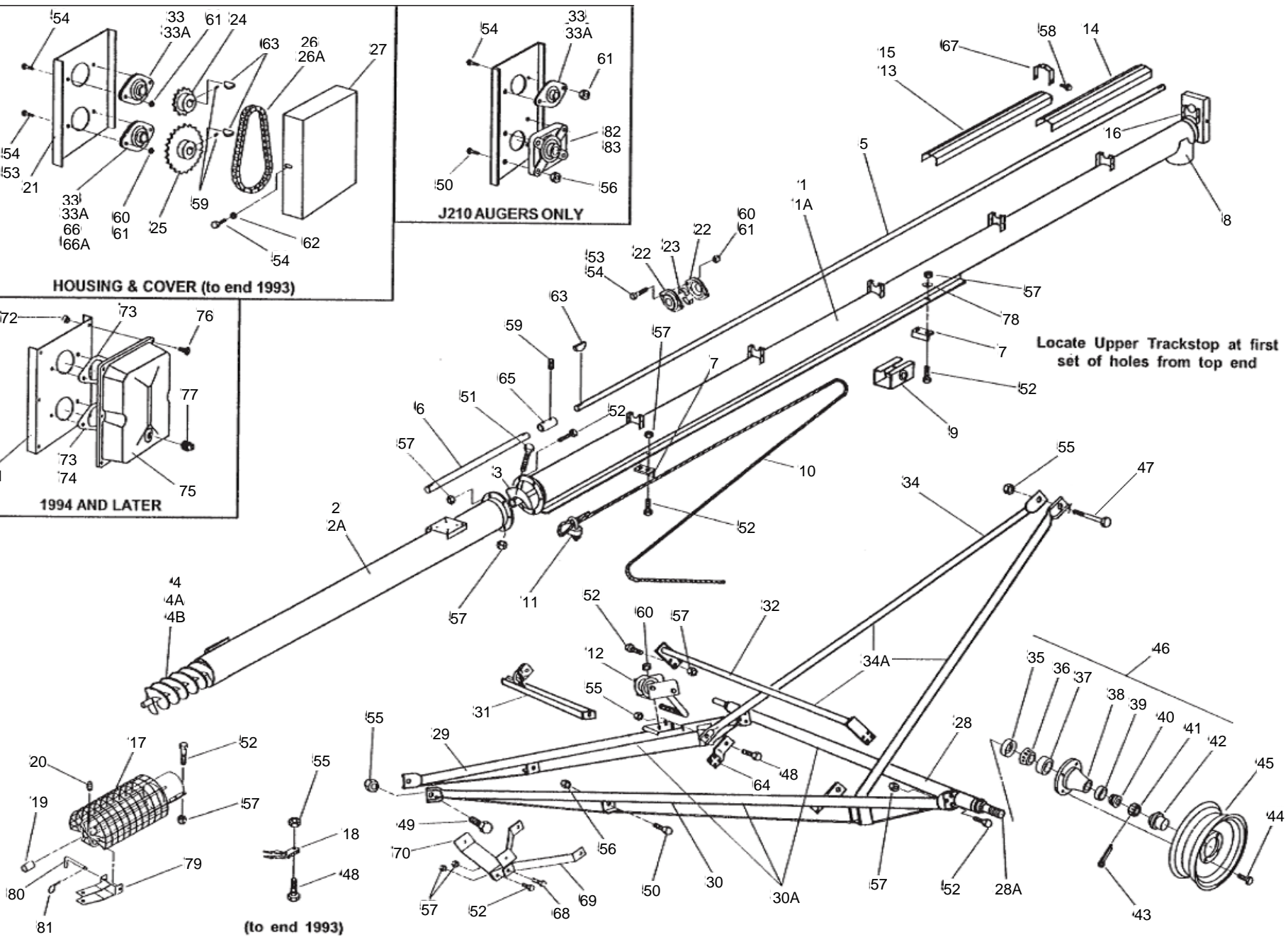
(to end 1993)

J208-36_BASIC_AUGER

ITEM	PART NO.	DESCRIPTION
1	10-18709	Upper tube section w/driveshaft, housing, track
1A	10-18720	Upper tube bundle, as shipped
2	10-18731	Lower tube section
2A	10-18749	Lower tube bundle, as shipped
3	10-19402	Upper flight section
4B	10-17534	Slip on intake flight (1998&UP)
4A	10-19085	Weld-on crimped intake flight
4	10-19407	Lower flight section
5	10-18702	Driveshaft, upper, 1-1/4" x 24'
6	10-19237	Driveshaft lower, 1-1/4"x3' 9-1/2"
7	10-18762	Track slop
8	10-17156	Weld-on outlet spout
9	10-18763	Roller track shoe
10	10-19248	1/4" Cable, 34' 6" long
11	10-19147	1/4" Cable clamp
12	10-19151	Brake winch
13	10-19254	42" Driveshaft shield
14	10-19255	48" Driveshaft shield
15	10-18829	60" Driveshaft shield
16	10-19257	Shield attach bracket
17	10-19398	Intake hitch w/shield, bushing, grease fitting
18	10-19442	Clevis, less bolt
19	10-19149	1" Bushing
20	10-19222	Press-in grease fitting
21	10-19315	Upper drive housing
22	10-18695	1-1/4" Bearing flange, single
23	10-18693	1-1/4" Split hardwood bearing, set of 2 halves
24	10-19430	Upper sprocket, 14 tooth
25	10-19431	Lower sprocket, 25 tooth
26	10-19432	Roller chain w/connector
26A	10-19433	Roller chain connector only
27	10-19319	Housing cover
28	10-18788	Axle w/spindles, nuts, cotter pins
28A	10-19262	Weld-on spindle only
29	10-18766	Lower reach tube, left
30	10-18771	Lower reach tube, right
30A	10-18776	Lwr reach frame bundle, as shipped, w/ part #18808
31	10-18793	Short crossmember
32	10-18797	Long crossmember
33A	10-18817	1" Bearing, less flanges
33	10-19321	1" Flangette bearing, 2 bolt
34A	10-18782	Upper lift tube bundle, as shipped, incl. ref. #32
34	10-19382	Upper lift tube, left or right, single
35	10-19264	Seal
36	10-19265	Large bearing, Timken #LM 67048
37	10-19266	Large cup, Timken #LM 67010
38	10-19267	Hub w/cups
39	10-19268	Small cup, Timken #L-M 11910
40	10-19269	Small bearing, Timken #LM 11949
41	10-19270	Slotted nut, 3/4" - 16



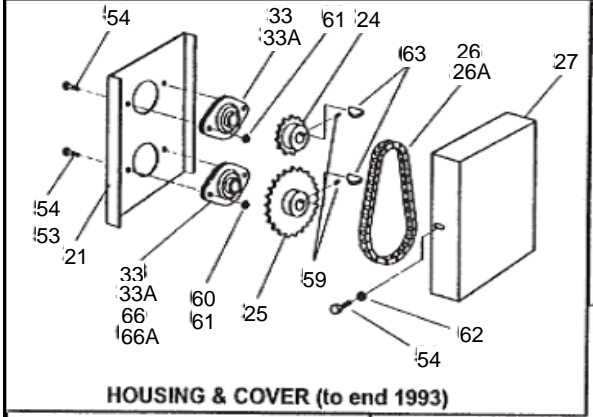
134



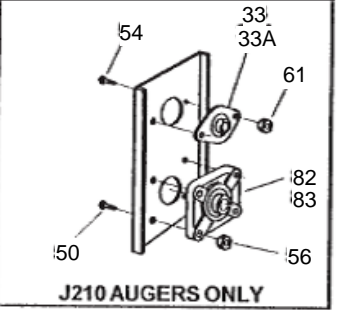
(to end 1993)

J208-36_BASIC_AUGER

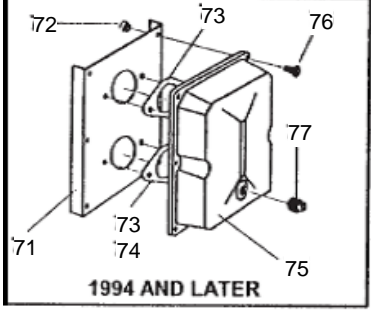
ITEM	PART NO.	DESCRIPTION
42	10-19272	Dust cap
43	10-19271	Cotter pin, 1/8" x 1-1/2
44	10-19273	Wheel Bolt, 1/2" - 20
45	10-19261	15" Wheel, 4 bolt
46	10-19467	Hub assembly, complete
47	10-19591	Bolt, 5/8" - 11 x 6-1/2", grade 5
48	10-19991	Bolt, 5/8" - 11 x 2", grade 5
49	10-19590	Bolt, 5/8" - 11 x 1-1/2", grade 5
50	10-19588	Bolt, 1/2" - 13 x 1-1/4", grade 5
51	10-19545	Bolt, 7/16" - 14 x 2-1/4", grade 8
52	10-19542	Bolt, 7/16" - 14 x 1", grade 5
53	10-19540	Bolt, 3/8" - 16 x 3/4", grade 2
54	10-19538	Bolt, 5/16" - 18 x 3/4", grade 2
55	10-19600	Locknut, 5/8" - 11
56	10-19599	Locknut, 1/2" - 13
57	10-19598	Locknut, 7/16" - 14
58	10-19274	Self-tapping screw, 1/4"-14x5/8"
59	10-19225	Setscrew, 3/8" - 16 x 3/8
60	10-19596	Washer locknut, 3/8" - 16
61	10-19595	Washer locknut, 5/16" - 18
62	10-19603	Lockwasher, 5/16"
63	10-19224	Woodruff key, 1/4" x 1
64	10-18799	Upper lift tube extension
65	10-19119	Driveshaft connector
66A	10-18853	1-1/4" Bearing less flange
66	10-19322	1-1/4" Flangette bearing, 2blt
67	10-19256	Shield tie down strap
68	10-19981	Bolt, 7/16" - 14 x 1-3/4", grade 5
69	10-17116	Stabilizer brace, single
70	10-17117	Stabilizer bracket, single
71	10-17172	Upper drive housing (1994&UP)
72	10-19594	Washer locknut, 1/4" - 20
73	10-17167	Gasket for 1" flangette brg
74	10-17168	Gasket for 1-1/4" flangette br
75	10-17158	Oil bath housing cover
76	10-19988	Bolt, 1/4" - 20 x 1", grade 2
77	10-17179	3/8" Plug
78	10-17182	Track washer, 7/16
79	10-17123	Clevis less pin
80	10-17181	Clevis pin
81	10-17383	Grip clip
86	10-18666	J208 - 36 Carton
88	10-18671	J31/46 Carton
89	10-18673	J6/10 - 31/51 Carton
90	10-18675	J1-1 -4 Carton



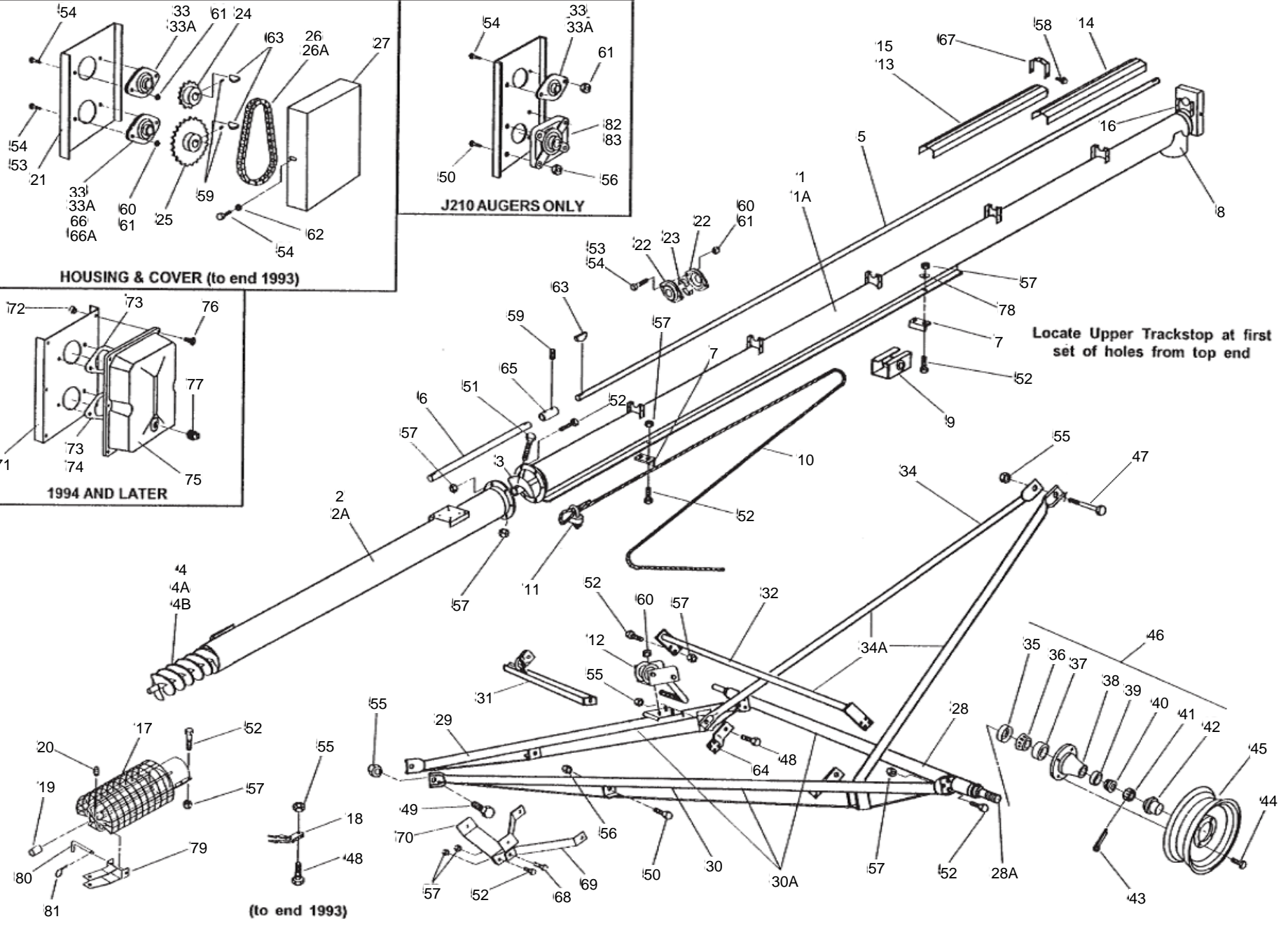
HOUSING & COVER (to end 1993)



J210 AUGERS ONLY



1994 AND LATER

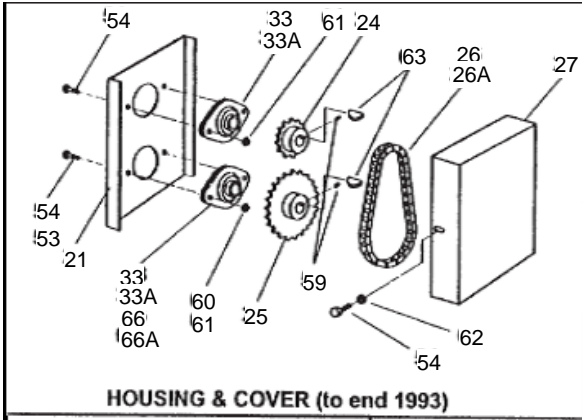


Locate Upper Trackstop at first set of holes from top end

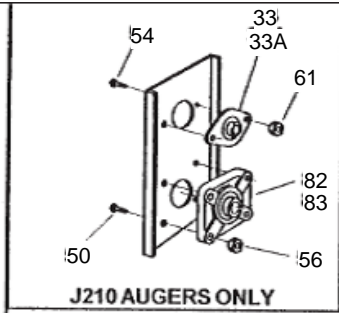
(to end 1993)

J210-36_BASIC_AUGER

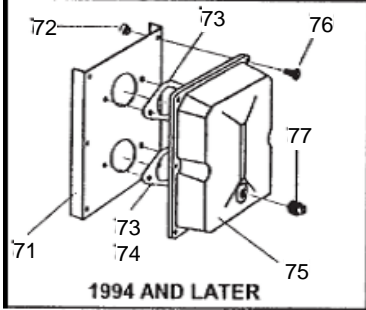
ITEM	PART NO.	DESCRIPTION
1A	10-17520	Upper tube bundle, as shipped
1	10-17585	Upper tube section w/driveshaft, housing, track
2A	10-17612	Lower tube bundle, as shipped
2	10-17661	Lower tube section
3	10-19753	Upper flight section
4B	10-17535	Slip on intake flight (1998&UP)
4	10-19758	Lower flight section
5	10-18702	Driveshaft, upper, 1-1/4" x 24'
6	10-19237	Driveshaft lower, 1-1/4"x3' 9-1/2"
7	10-18762	Track slop
8	10-17225	Weld-on outlet spout
9	10-18763	Roller track shoe
10	10-19248	1/4" Cable, 34' 6" long
11	10-19147	1/4" Cable clamp
12	10-19152	Brake winch
13	10-19254	42" Driveshaft shield
14	10-19255	48" Driveshaft shield
15	10-18829	60" Driveshaft shield
16	10-19257	Shield attach bracket
17	10-19774	Intake hitch w/shield, bushing, grease fitting
18	10-19775	Clevis, less bolt
19	10-19776	1-1/4" Bushing
20	10-19222	Press-in grease fitting
22	10-18695	1-1/4" Bearing flange, single
23	10-18693	1-1/4" Split hardwood bearing, set of 2 halves
24	10-19430	Upper sprocket, 14 tooth
25	10-18697	Lower sprocket, 25 tooth
26	10-18696	Roller chain w/connector
26A	10-19433	Roller chain connector only
28	10-18788	Axle w/spindles, nuts, cotter pins
28A	10-19262	Weld-on spindle only
29	10-17663	Lower reach tube, left
30A	10-17613	Lwr reach frame bundle, as shipped, w/ part #18808
30	10-17664	Lower reach tube, right
31	10-18793	Short crossmember
32	10-18797	Long crossmember
33A	10-18817	1" Bearing, less flanges
33	10-19321	1" Flangette bearing, 2 bolt
34A	10-17614	Upper lift tube bundle, as shipped, incl. ref. #32
34	10-17662	Upper lift tube, left or right, single
35	10-19264	Seal
36	10-19265	Large bearing, Timken #LM 67048
37	10-19266	Large cup, Timken #LM 67010
38	10-19267	Hub w/cups
39	10-19268	Small cup, Timken #L-M 11910
40	10-19269	Small bearing, Timken #LM 11949
41	10-19270	Slotted nut, 3/4" - 16
42	10-19272	Dust cap
43	10-19271	Cotter pin, 1/8" x 1-1/2
44	10-19273	Wheel Bolt, 1/2" - 20



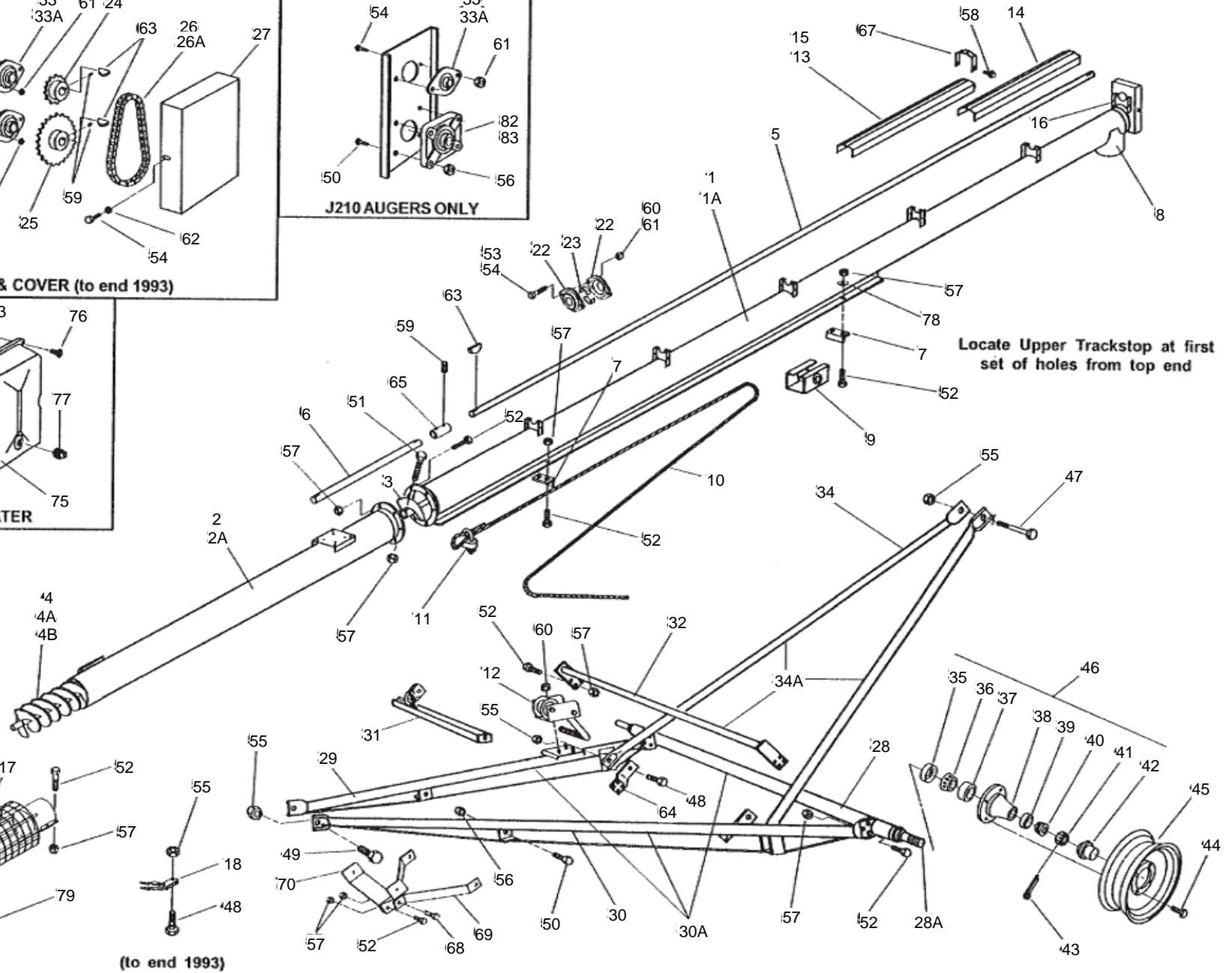
HOUSING & COVER (to end 1993)



J210 AUGERS ONLY



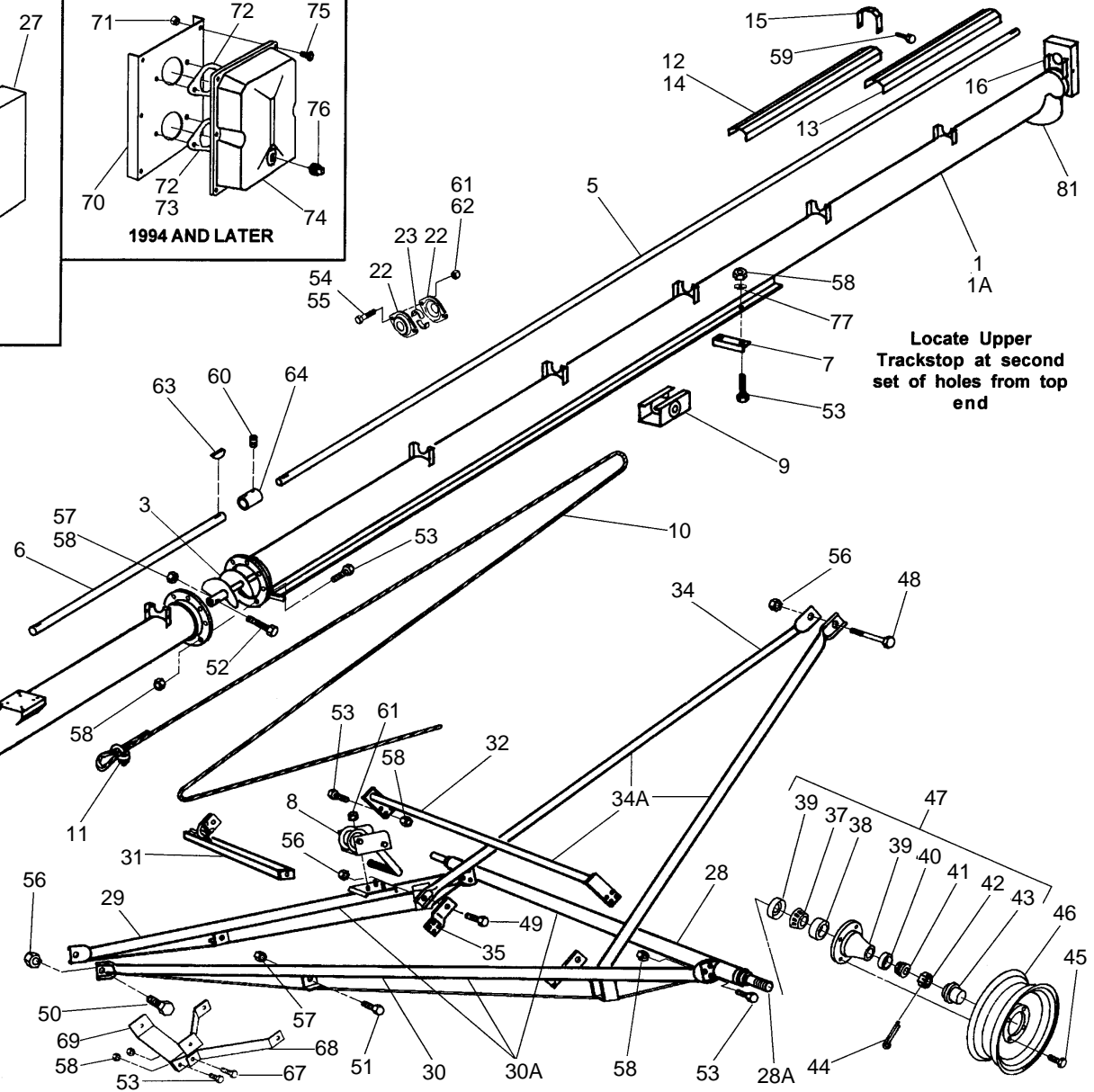
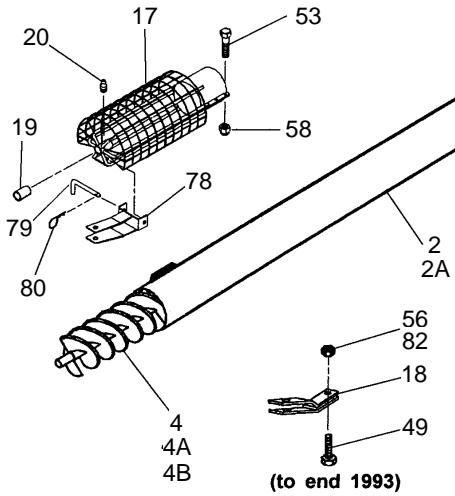
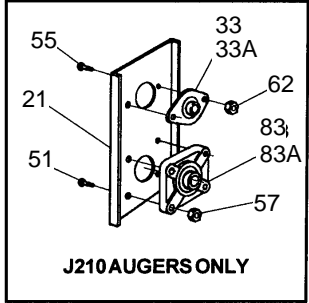
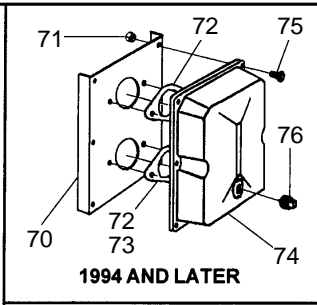
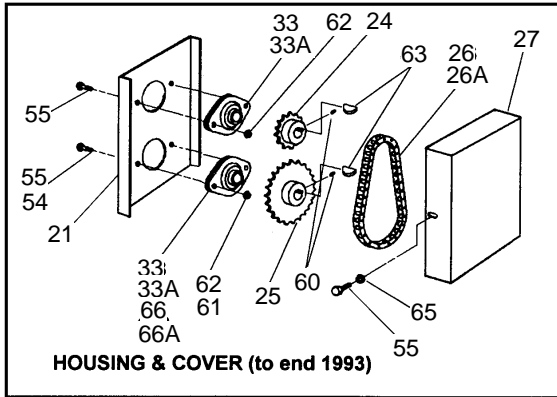
1994 AND LATER



(to end 1993)

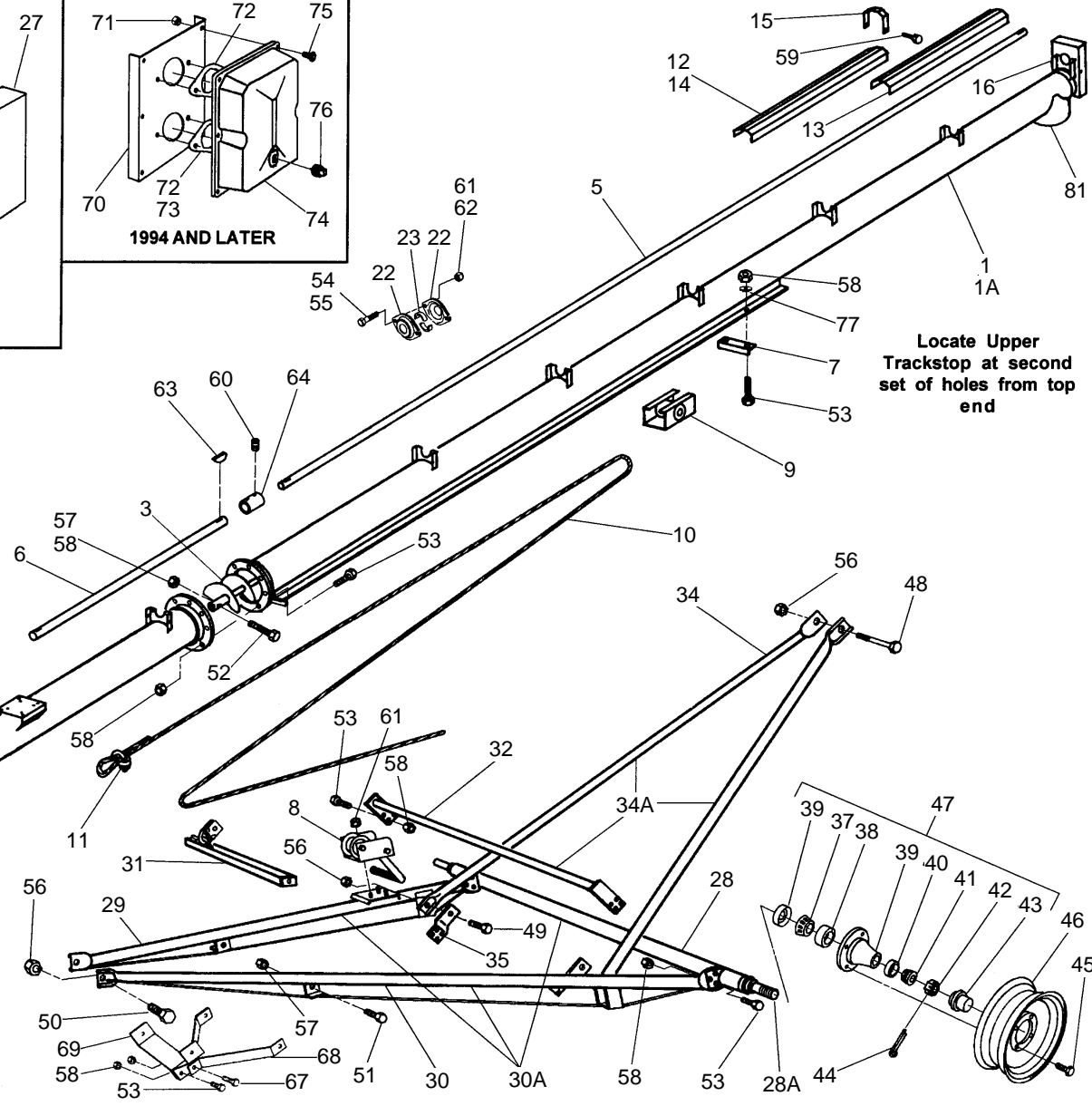
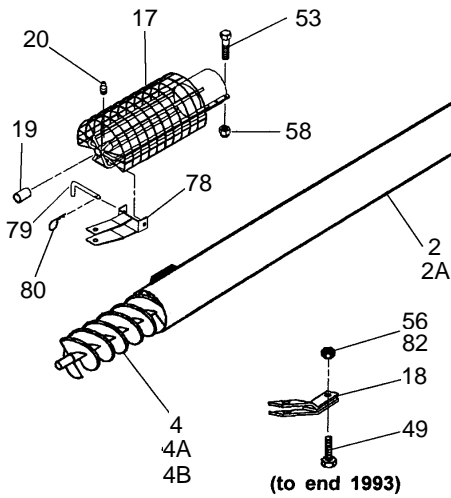
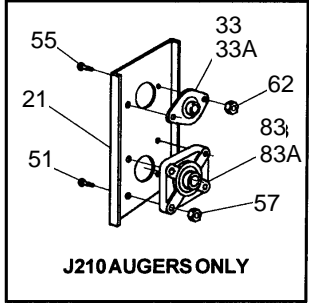
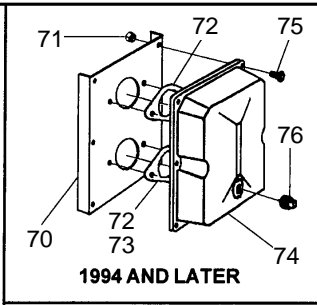
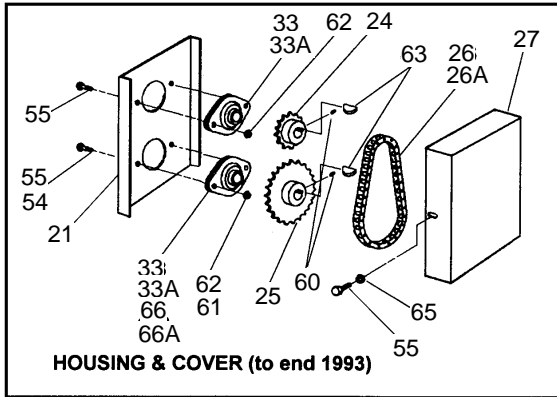
J210-36_BASIC_AUGER

ITEM	PART NO.	DESCRIPTION
45	10-19261	15" Wheel, 4 bolt
46	10-19467	Hub assembly, complete
47	10-19591	Bolt, 5/8" - 11 x 6-1/2", grade 5
48	10-19991	Bolt, 5/8" - 11 x 2", grade 5
49	10-19590	Bolt, 5/8" - 11 x 1-1/2", grade 5
50	10-19588	Bolt, 1/2" - 13 x 1-1/4", grade 5
51	10-19798	Bolt, 1/2" - 13 x 2-3/4", grade 8
52	10-19542	Bolt, 7/16" - 14 x 1", grade 5
54	10-19538	Bolt, 5/16" - 18 x 3/4", grade 2
55	10-19600	Locknut, 5/8" - 11
56	10-19599	Locknut, 1/2" - 13
57	10-19598	Locknut, 7/16" - 14
58	10-19274	Self-tapping screw, 1/4"-14x5/8"
59	10-19225	Setscrew, 3/8" - 16 x 3/8
60	10-19596	Washer locknut, 3/8" - 16
61	10-19595	Washer locknut, 5/16" - 18
63	10-19224	Woodruff key, 1/4" x 1
64	10-18804	Upper lift tube extension
65	10-19119	Driveshaft connector
67	10-19256	Shield tie down strap
68	10-19981	Bolt, 7/16" - 14 x 1-3/4", grade 5
69	10-17116	Stabilizer brace, single
70	10-17117	Stabilizer bracket, single
71	10-17226	Upper drive housing (1994&UP)
72	10-19594	Washer locknut, 1/4" - 20
73	10-17167	Gasket for 1" flangette brg
75	10-17160	Oil bath housing cover
76	10-19988	Bolt, 1/4" - 20 x 1", grade 2
77	10-17179	3/8" Plug
78	10-17182	Track washer, 7/16
79	10-17180	Clevis less pin
80	10-17181	Clevis pin
81	10-17383	Grip clip
82	10-19567	1-1/4" Pillow bearing, 4 bolt
83	10-18852	1-1/4" bearing. less flange
87	10-17615	J210-36 Carton
88	10-18671	J31/46 Carton
89	10-18673	J6/10 - 31/51 Carton
90	10-18675	J1-1 -4 Carton



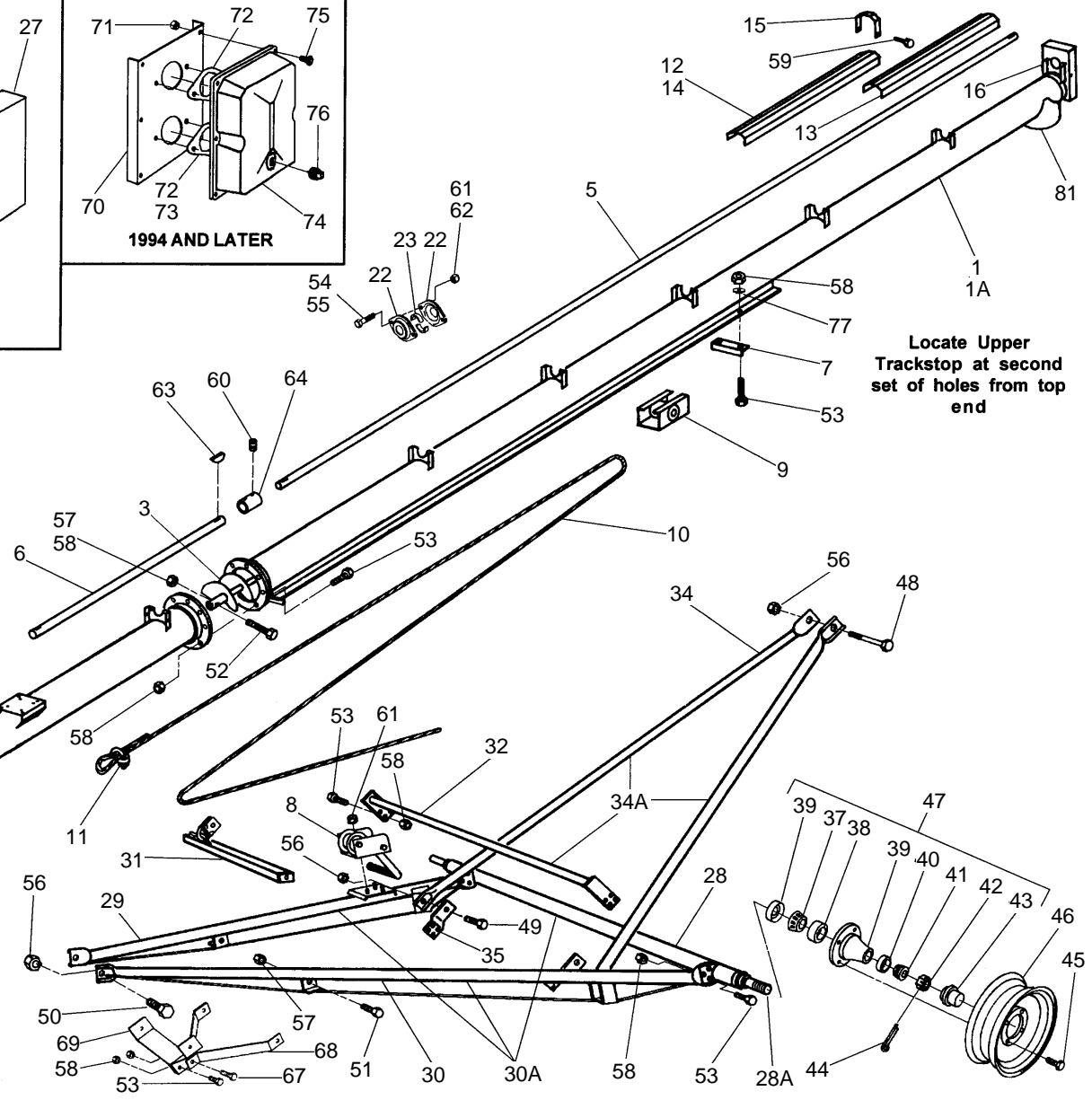
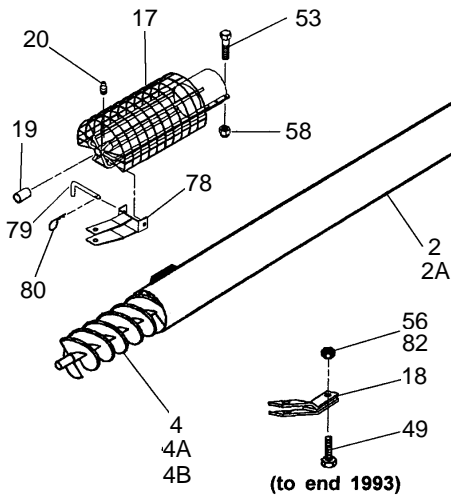
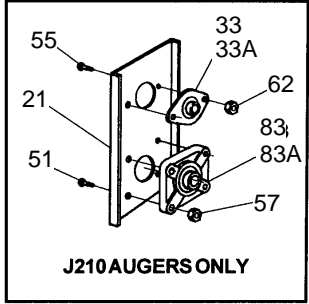
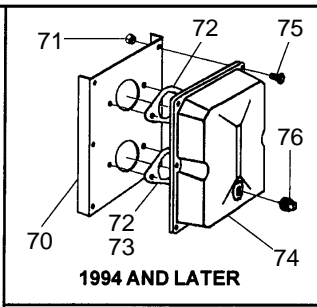
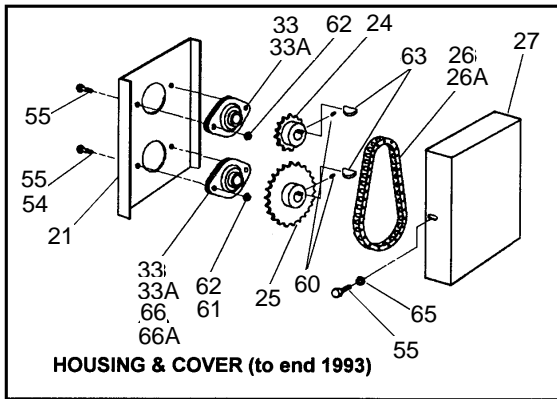
J206-41_BASIC_AUGER

ITEM	PART NO.	DESCRIPTION
1	10-18707	Upper tube section w/driveshaft, housing, track
1A	10-18718	Upper tube bundle, as shipped
2	10-18733	Lower tube section
2A	10-18751	Lower tube bundle, as shipped
3	10-19006	Upper flight section
4B	10-17532	Slip on intake flight (1998&UP)
4	10-19012	Lower flight section
4A	10-19083	Weld-on crimped intake flight
5	10-18700	Driveshaft, upper, 1" x 24' 2"
6	10-18827	Driveshaft, lower, 1" x 6' 10-1/2"
7	10-18762	Upper track stop
8	10-19151	Brake winch
9	10-18763	Roller trackshoe
10	10-18823	1/4" Cable, 38' long
11	10-19147	1/4" Cable clamp
12	10-19254	42" Driveshaft shield
13	10-19255	48" Driveshaft shield
14	10-18829	60" Driveshaft shield
15	10-19256	Shield tie-down strap
16	10-19257	Shield attach bracket
17	10-19019	Intake hitch w/shield, bushing, grease fitting
18	10-19442	Clevis, less bolt
19	10-19149	1" Bushing
20	10-19222	Press-in grease fitting
21	10-19313	Upper drive housing
22	10-18694	1" Bearing flange, single
23	10-18692	1" Split hardwood bearing, set of 2 halves
24	10-19131	Upper sprocket
25	10-19132	Lower sprocket
26	10-19015	Roller chain w/connector
26A	10-19134	Roller chain connector only
27	10-19317	Housing cover
28	10-18788	Axle w/spindles, nuts, cotter pins
28A	10-19262	Weld-on spindle only
29	10-18767	Lower reach tube, left
30	10-18772	Lower reach tube, right
30A	10-18777	Lower reach frame bundle, as shipped incl. part#18809
31	10-18794	Short crossmember
32	10-18797	Long crossmember
33A	10-18817	1" Bearing, less flanges
33	10-19321	1" Flangette bearing, 2 bolt
34A	10-18783	Upper lift tube bundle, as shipped, incl. ref. #32
34	10-19383	Upper lift tube, left or right, single
35	10-18804	Upper lift tube extension
36	10-19264	Seal
37	10-19265	Large bearing, Timken #LM 67048
38	10-19266	Large cup, Timken #LM 67010
39	10-19267	Hub w/cups
40	10-19268	Small cup, Timken #LM 11910
41	10-19269	Small bearing, Timken #LM 11949



J206-41_BASIC_AUGER

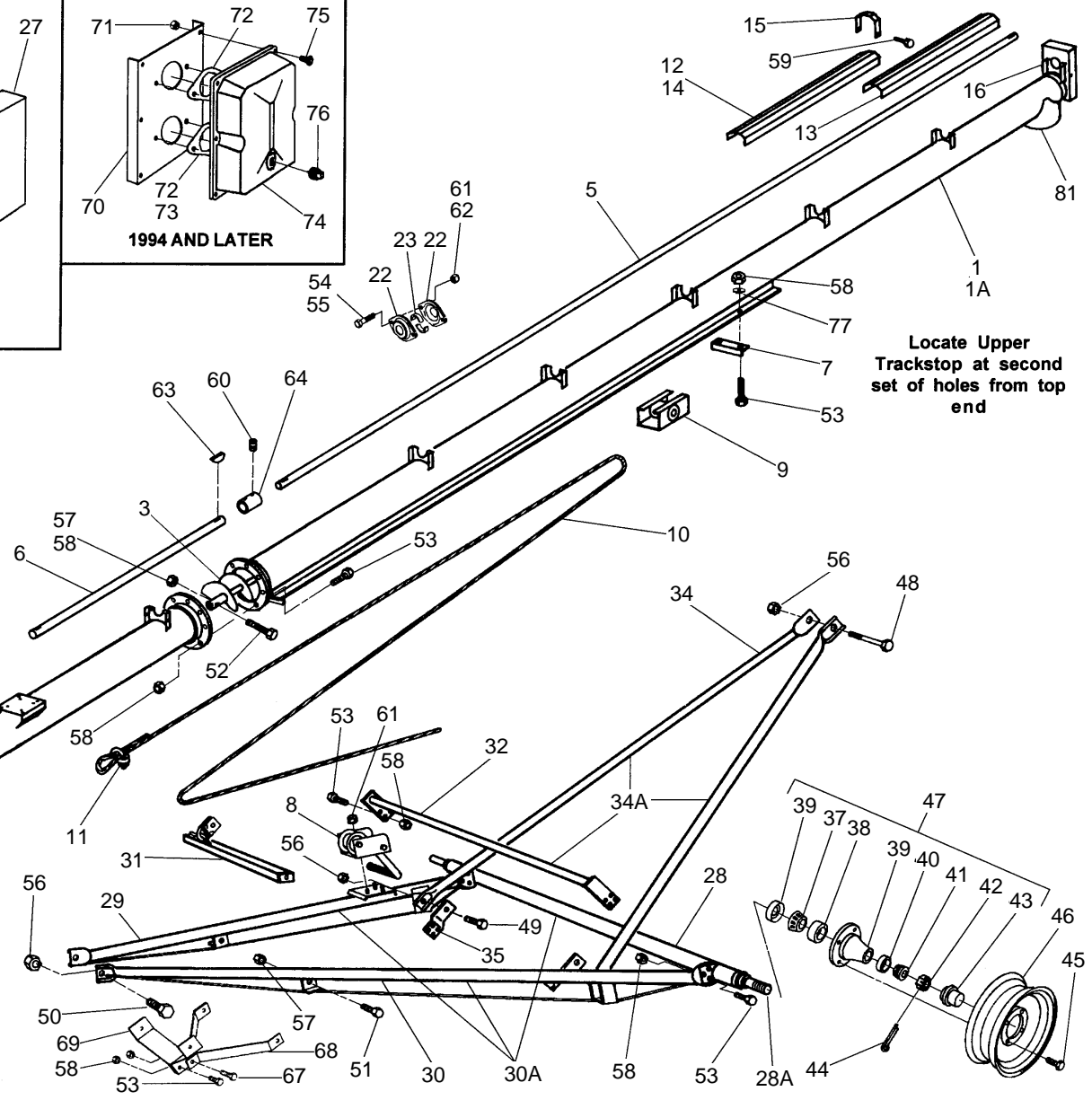
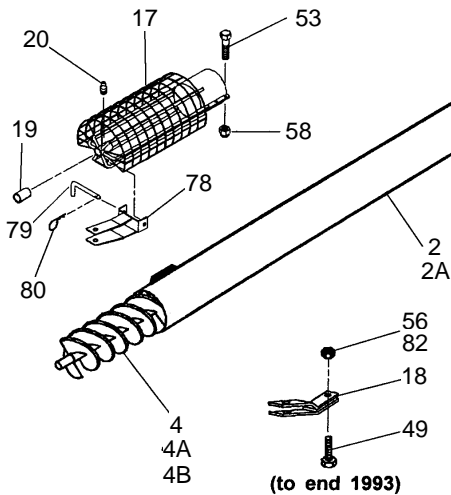
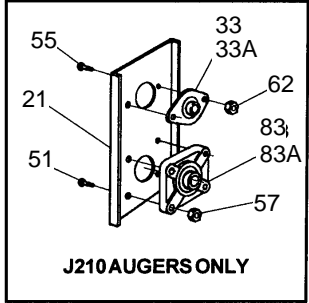
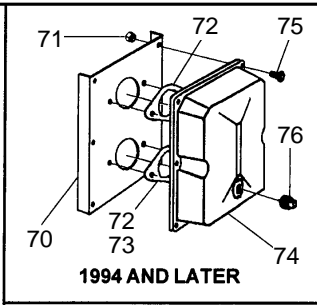
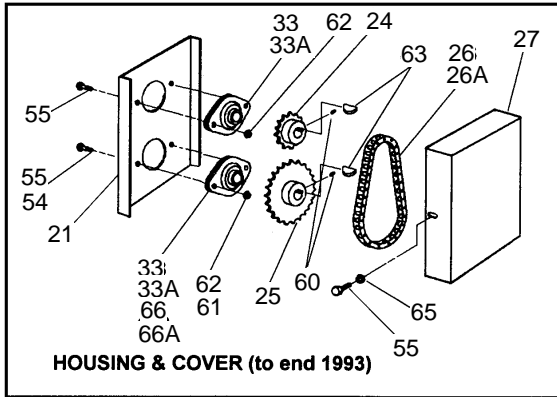
ITEM	PART NO.	DESCRIPTION
42	10-19270	Slotted nut, 3/4" - 16
43	10-19272	Dust cap
44	10-19271	Cotter pin, 1/8" x 1-1/2"
45	10-19273	Wheel bolt, 1/2" - 20
46	10-19261	15" Wheel, 4 bolt
47	10-17467	Hub assembly, complete
48	10-19591	Bolt, 5/8" - 11 x 6-1/2", grade 5
49	10-19991	Bolt, 5/8" - 11 x 2", grade 5
50	10-19590	Bolt, 5/8" - 11 x 1-1/2", grade 5
51	10-19588	Bolt, 1/2" - 13 x 1-1/4", grade 5
53	10-19542	Bolt, 7/16" - 14 x 1", grade 5
55	10-19538	Bolt, 5/16" - 18 x 3/4", grade 2
56	10-19600	Locknut, 5/8" - 11
57	10-19599	Locknut, 1/2" - 13
58	10-19598	Locknut, 7/16" - 14
59	10-19274	Self-tapping screw, 1/4"-14x5/8"
60	10-19225	Setscrew, 3/8" - 16 x 3/8"
61	10-19596	Washer locknut, 3/8" - 16
62	10-19595	Washer locknut, 5/16" - 18
63	10-19224	Woodruff key, 1/4" x 1"
64	10-19119	Driveshaft connector
65	10-19603	Lockwasher, 5/16"
67	10-19981	Bolt, 7/16" - 14 x 1-3/4", grade 5
68	10-17119	Stabilizer brace, single
69	10-17120	Stabilizer bracket, single
70	10-17170	Upper drive housing (1994&UP)
71	10-19594	Washer locknut, 1/4" - 20
72	10-17167	Gasket for 1" flangette BRG
74	10-17157	Oil bath housing cover
75	10-19988	Bolt, 1/4" - 20 x 1", grade 2
76	10-17179	3/8" Plug
77	10-17182	Track washer, 7/16"
78	10-17123	Clevis, less pin
79	10-17181	CLEVIS PIN
80	10-17383	Grip clip
81	10-19020	Weld-on outlet spout
84	10-18659	J206-41 Carton
88	10-18671	J31/46 Carton
89	10-18673	J6/10-31/51 Carton
90	10-18676	JW2-1-4 Carton



Locate Upper Trackstop at second set of holes from top end

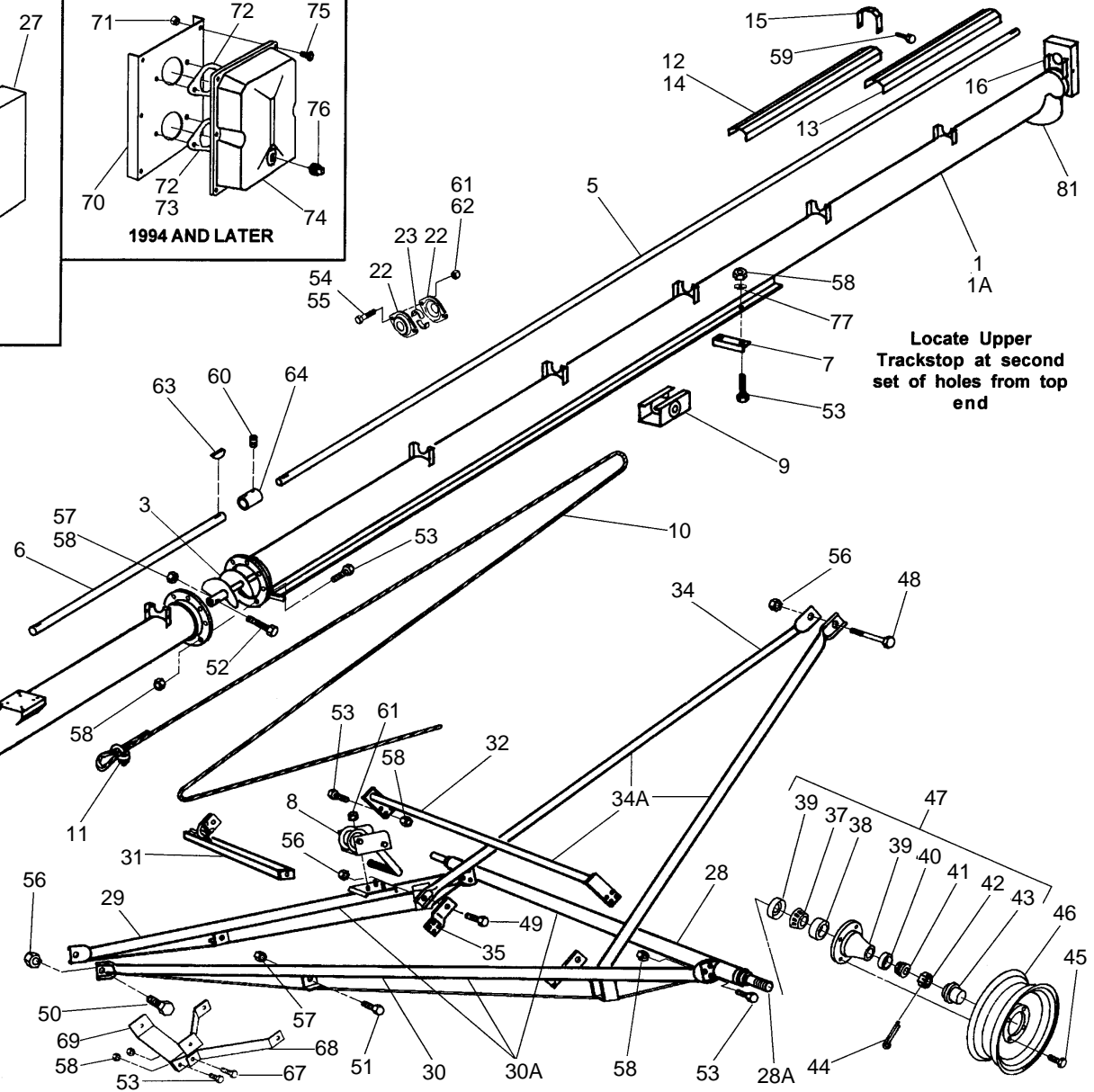
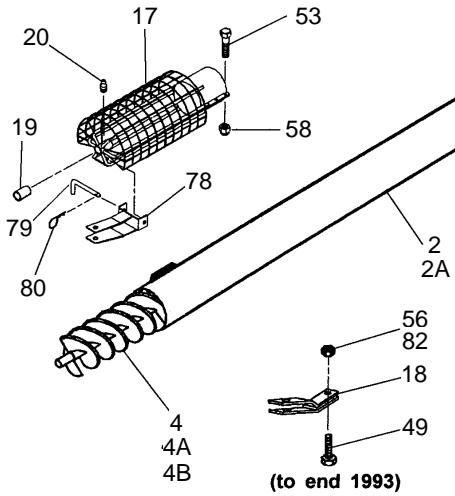
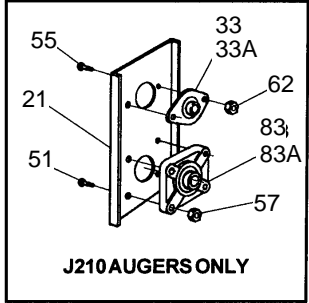
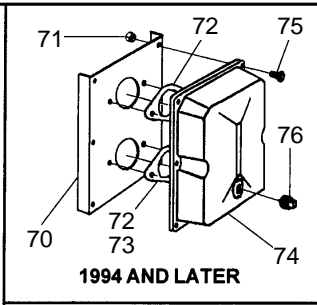
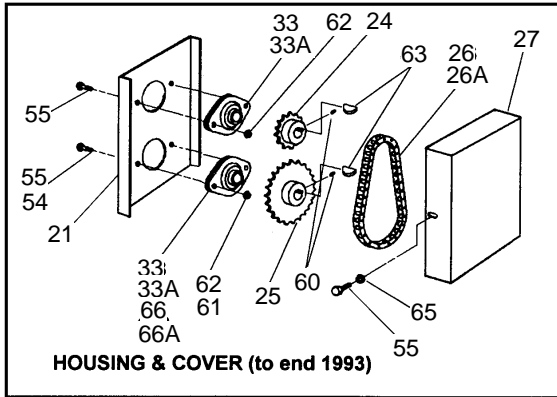
J207-41_BASIC_AUGER

ITEM	PART NO.	DESCRIPTION
1	10-18708	Upper tube section w/driveshaft, housing, track
1A	10-18719	Upper tube bundle, as shipped
2	10-18734	Lower tube section
2A	10-18752	Lower tube bundle, as shipped
3	10-19105	Upper flight section
4B	10-17533	Slip on intake flight (1998&UP)
4A	10-19084	Weld-on crimped intake flight
4	10-19113	Lower flight section
5	10-18700	Driveshaft, upper, 1" x 24' 2"
6	10-18827	Driveshaft, lower, 1" x 6' 10-1/2"
7	10-18762	Upper track stop
8	10-19151	Brake winch
9	10-18763	Roller trackshoe
10	10-18823	1/4" Cable, 38' long
11	10-19147	1/4" Cable clamp
12	10-19254	42" Driveshaft shield
13	10-19255	48" Driveshaft shield
14	10-18829	60" Driveshaft shield
15	10-19256	Shield tie-down strap
16	10-19257	Shield attach bracket
17	10-19192	Intake hitch w/shield, bushing, grease fitting
18	10-19442	Clevis, less bolt
19	10-19149	1" Bushing
20	10-19222	Press-in grease fitting
21	10-19314	Upper drive housing
22	10-18694	1" Bearing flange, single
23	10-18692	1" Split hardwood bearing, set of 2 halves
24	10-19131	Upper sprocket
25	10-19132	Lower sprocket
26	10-19133	Roller chain w/connector
26A	10-19134	Roller chain connector only
27	10-19318	Housing cover
28	10-18788	Axle w/spindles, nuts, cotter pins
28A	10-19262	Weld-on spindle only
29	10-18767	Lower reach tube, left
30	10-18772	Lower reach tube, right
30A	10-18777	Lower reach frame bundle, as shipped incl. part#18809
31	10-18794	Short crossmember
32	10-18797	Long crossmember
33A	10-18817	1" Bearing, less flanges
33	10-19321	1" Flangette bearing, 2 bolt
34A	10-18783	Upper lift tube bundle, as shipped, incl. ref. #32
34	10-19383	Upper lift tube, left or right, single
35	10-18804	Upper lift tube extension
36	10-19264	Seal
37	10-19265	Large bearing, Timken #LM 67048
38	10-19266	Large cup, Timken #LM 67010
39	10-19267	Hub w/cups
40	10-19268	Small cup, Timken #LM 11910
41	10-19269	Small bearing, Timken #LM 11949



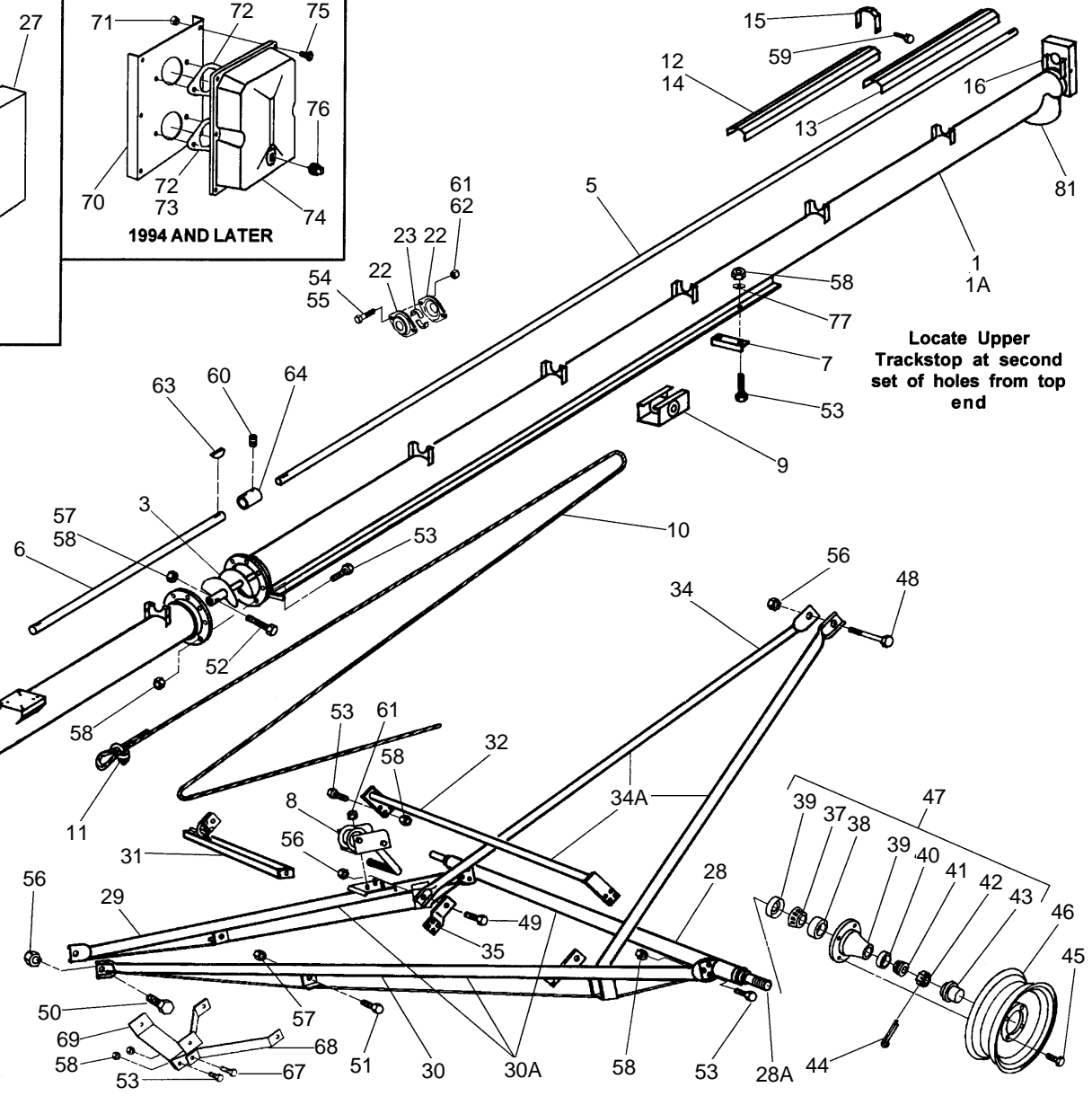
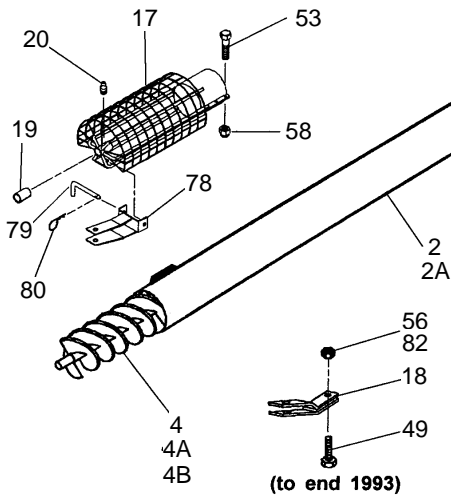
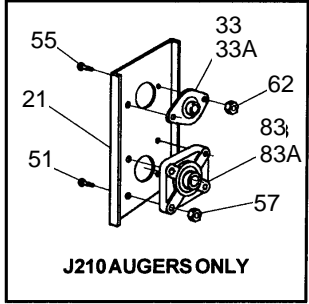
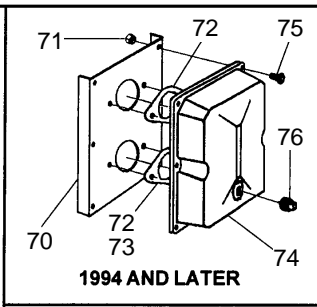
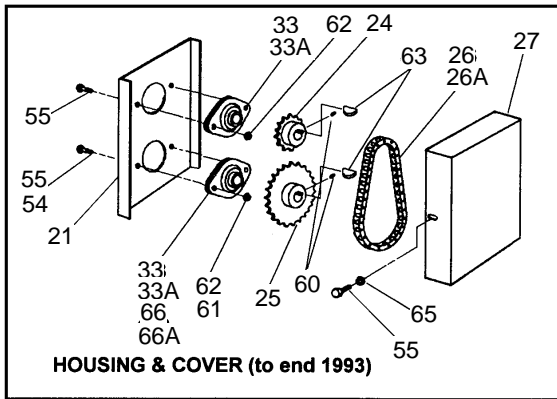
J207-41_BASIC_AUGER

ITEM	PART NO.	DESCRIPTION
42	10-19270	Slotted nut, 3/4" - 16
43	10-19272	Dust cap
44	10-19271	Cotter pin, 1/8" x 1-1/2"
45	10-19273	Wheel bolt, 1/2" - 20
46	10-19261	15" Wheel, 4 bolt
47	10-19467	Hub assembly, complete
48	10-19591	Bolt, 5/8" - 11 x 6-1/2", grade 5
49	10-19991	Bolt, 5/8" - 11 x 2", grade 5
50	10-19590	Bolt, 5/8" - 11 x 1-1/2", grade 5
51	10-19588	Bolt, 1/2" - 13 x 1-1/4", grade 5
53	10-19542	Bolt, 7/16" - 14 x 1", grade 5
55	10-19538	Bolt, 5/16" - 18 x 3/4", grade 2
56	10-19600	Locknut, 5/8" - 11
57	10-19599	Locknut, 1/2" - 13
58	10-19598	Locknut, 7/16" - 14
59	10-19274	Self-tapping screw, 1/4"-14x5/8"
60	10-19225	Setscrew, 3/8" - 16 x 3/8"
61	10-19596	Washer locknut, 3/8" - 16
62	10-19595	Washer locknut, 5/16" - 18
63	10-19224	Woodruff key, 1/4" x 1"
64	10-19119	Driveshaft connector
65	10-19603	Lockwasher, 5/16"
67	10-19981	Bolt, 7/16" - 14 x 1-3/4", grade 5
68	10-17119	Stabilizer brace, single
69	10-17120	Stabilizer bracket, single
70	10-17171	Upper drive housing (1994&UP)
71	10-19594	Washer locknut, 1/4" - 20
72	10-17167	Gasket for 1" flangette BRG
74	10-17157	Oil bath housing cover
75	10-19988	Bolt, 1/4" - 20 x 1", grade 2
76	10-17179	3/8" Plug
77	10-17182	Track washer, 7/16"
78	10-17123	Clevis, less pin
79	10-17181	CLEVIS PIN
80	10-17383	Grip clip
81	10-17155	Weld-on outlet spout
85	10-18662	J207-41 Carton
88	10-18671	J31/46 Carton
89	10-18673	J6/10-31/51 Carton
90	10-18676	JW2-1-4 Carton



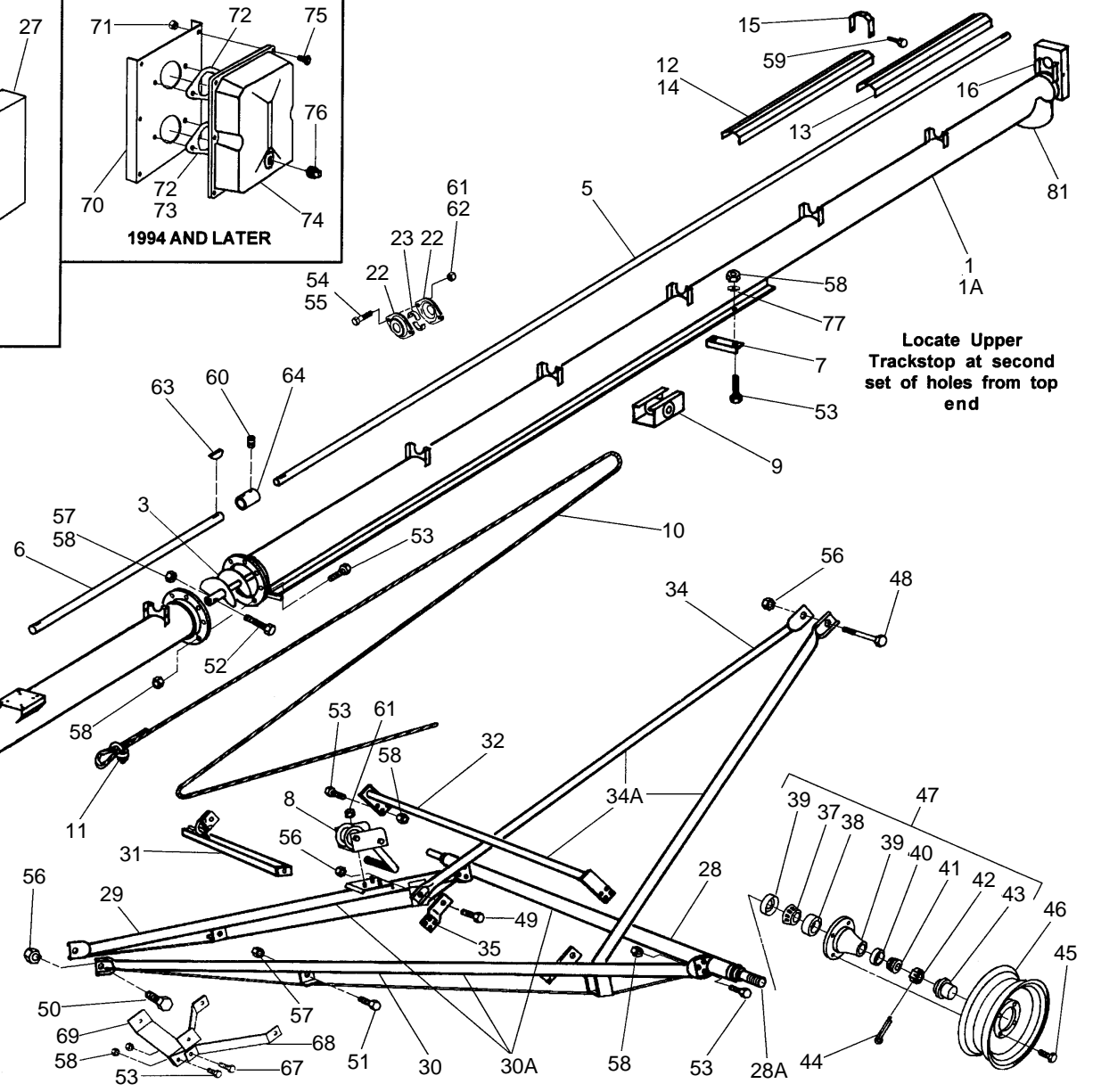
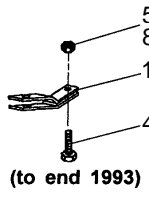
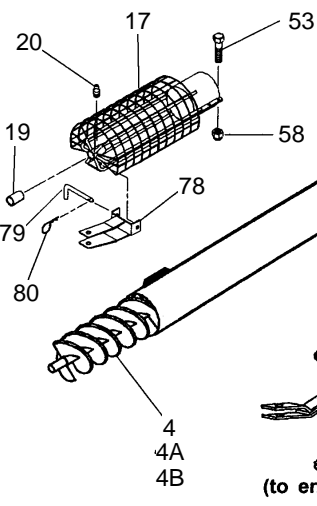
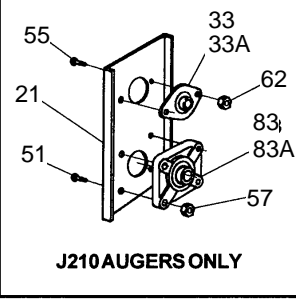
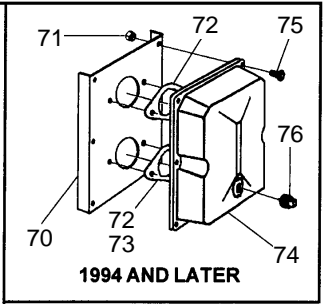
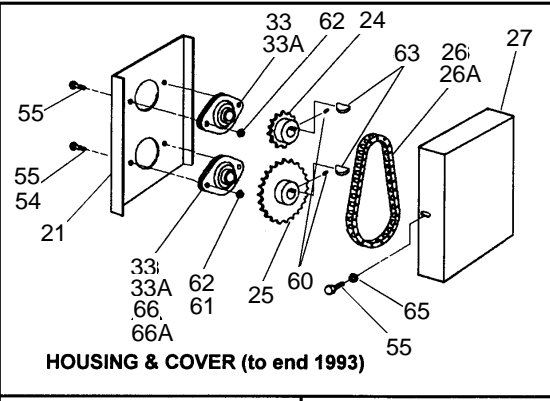
J208-41_BASIC_AUGER

ITEM	PART NO.	DESCRIPTION
1	10-18709	Upper tube section w/driveshaft, housing, track
1A	10-18720	Upper tube bundle, as shipped
2	10-18735	Lower tube section
2A	10-18753	Lower tube bundle, as shipped
3	10-19402	Upper flight section
4B	10-17534	Slip on intake flight (1998&UP)
4A	10-19085	Weld-on crimped intake flight
4	10-19408	Lower flight section
5	10-18702	Driveshaft, upper, 1-1/4" x 24'
6	10-18828	Driveshaft, lower, 1-1/4"x7' 0-1/2"
7	10-18762	Upper track stop
8	10-19152	Brake winch
9	10-18763	Roller trackshoe
10	10-18823	1/4" Cable, 38' long
11	10-19147	1/4" Cable clamp
12	10-19254	42" Driveshaft shield
13	10-19255	48" Driveshaft shield
14	10-18829	60" Driveshaft shield
15	10-19256	Shield tie-down strap
16	10-19257	Shield attach bracket
17	10-19398	Intake hitch w/shield, bushing, grease fitting
18	10-19442	Clevis, less bolt
19	10-19149	1" Bushing
20	10-19222	Press-in grease fitting
21	10-19315	Upper drive housing
22	10-18695	1-1/4" Bearing flange, single
23	10-18693	1-1/4" Split hardwood bearing, set of 2 halves
24	10-19430	Upper sprocket
25	10-19431	Lower sprocket
26	10-19432	Roller chain w/connector
26A	10-19433	Roller chain connector only
27	10-19319	Housing cover
28	10-18788	Axle w/spindles, nuts, cotter pins
28A	10-19262	Weld-on spindle only
29	10-18767	Lower reach tube, left
30	10-18772	Lower reach tube, right
30A	10-18777	Lower reach frame bundle, as shipped incl. part#18809
31	10-18794	Short crossmember
32	10-18797	Long crossmember
33A	10-18817	1" Bearing, less flanges
33	10-19321	1" Flangette bearing, 2 bolt
34A	10-18783	Upper lift tube bundle, as shipped, incl. ref. #32
34	10-19383	Upper lift tube, left or right, single
35	10-18804	Upper lift tube extension
36	10-19264	Seal
37	10-19265	Large bearing, Timken #LM 67048
38	10-19266	Large cup, Timken #LM 67010
39	10-19267	Hub w/cups
40	10-19268	Small cup, Timken #LM 11910
41	10-19269	Small bearing, Timken #LM 11949



J208-41_BASIC_AUGER

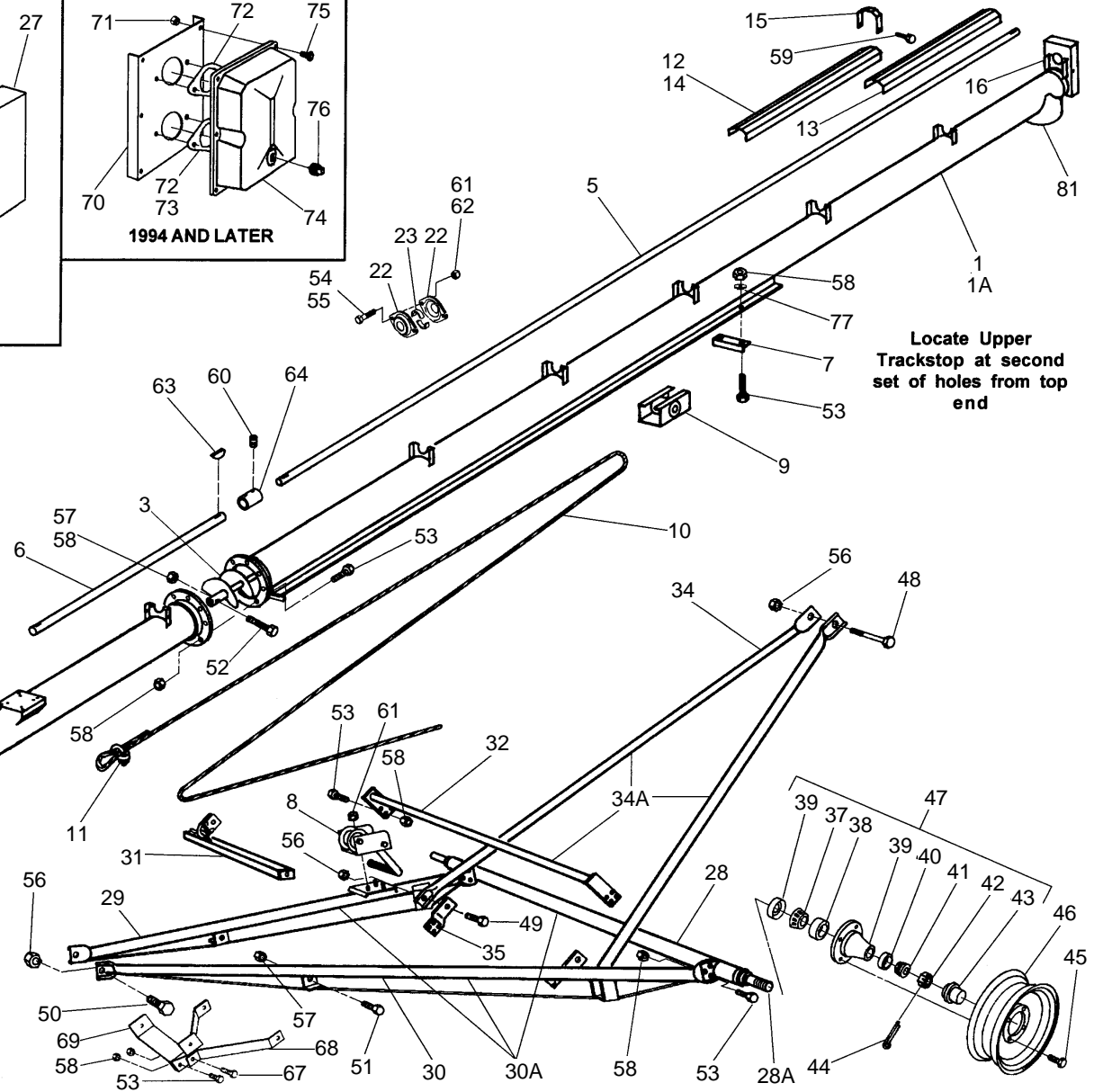
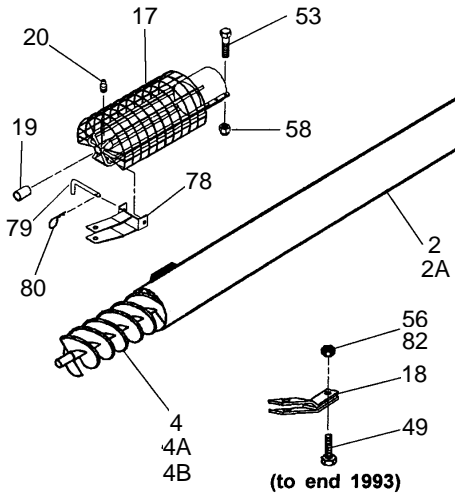
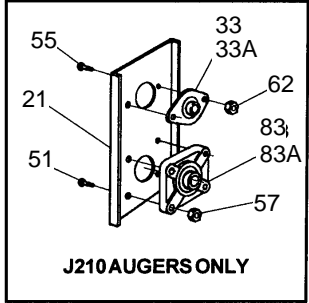
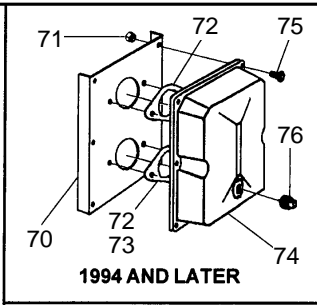
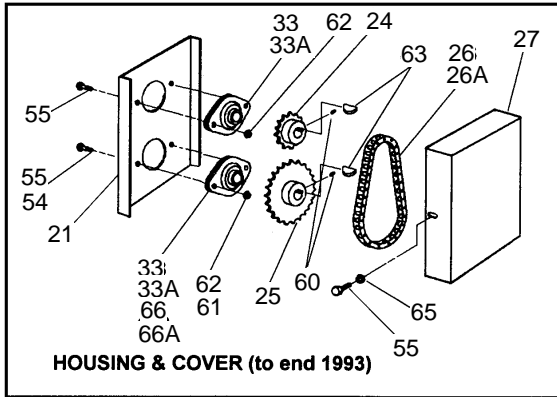
ITEM	PART NO.	DESCRIPTION
42	10-19270	Slotted nut, 3/4" - 16
43	10-19272	Dust cap
44	10-19271	Cotter pin, 1/8" x 1-1/2"
45	10-19273	Wheel bolt, 1/2" - 20
46	10-19261	15" Wheel, 4 bolt
47	10-19467	Hub assembly, complete
48	10-19591	Bolt, 5/8" - 11 x 6-1/2", grade 5
49	10-19991	Bolt, 5/8" - 11 x 2", grade 5
50	10-19590	Bolt, 5/8" - 11 x 1-1/2", grade 5
51	10-19588	Bolt, 1/2" - 13 x 1-1/4", grade 5
52	10-19545	Bolt, 7/16" - 14 x 2-1/4", grade 8
53	10-19542	Bolt, 7/16" - 14 x 1", grade 5
54	10-19540	Bolt, 3/8" - 16 x 3/4", grade 2
55	10-19538	Bolt, 5/16" - 18 x 3/4", grade 2
56	10-19600	Locknut, 5/8" - 11
57	10-19599	Locknut, 1/2" - 13
58	10-19598	Locknut, 7/16" - 14
59	10-19274	Self-tapping screw, 1/4"-14x5/8"
60	10-19225	Setscrew, 3/8" - 16 x 3/8"
61	10-19596	Washer locknut, 3/8" - 16
62	10-19595	Washer locknut, 5/16" - 18
63	10-19224	Woodruff key, 1/4" x 1"
64	10-19119	Driveshaft connector
65	10-19603	Lockwasher, 5/16"
66A	10-18853	1-1/4" Bearing less flange
66	10-19322	1-1/4" Flangette bearing, 2 BLT
67	10-19981	Bolt, 7/16" - 14 x 1-3/4", grade 5
68	10-17119	Stabilizer brace, single
69	10-17120	Stabilizer bracket, single
70	10-17172	Upper drive housing (1994&UP)
71	10-19594	Washer locknut, 1/4" - 20
72	10-17167	Gasket for 1" flangette BRG
73	10-17168	Gasket for 1-1/4" flangette bearing
74	10-17158	Oil bath housing cover
75	10-19988	Bolt, 1/4" - 20 x 1", grade 2
76	10-17179	3/8" Plug
77	10-17182	Track washer, 7/16"
78	10-17123	Clevis, less pin
79	10-17181	CLEVIS PIN
80	10-17383	Grip clip
81	10-17156	Weld-on outlet spout
86	10-18667	J208-41 Carton
88	10-18671	J31/46 Carton
89	10-18673	J6/10-31/51 Carton
90	10-18676	JW2-1-4 Carton



Locate Upper Trackstop at second set of holes from top end

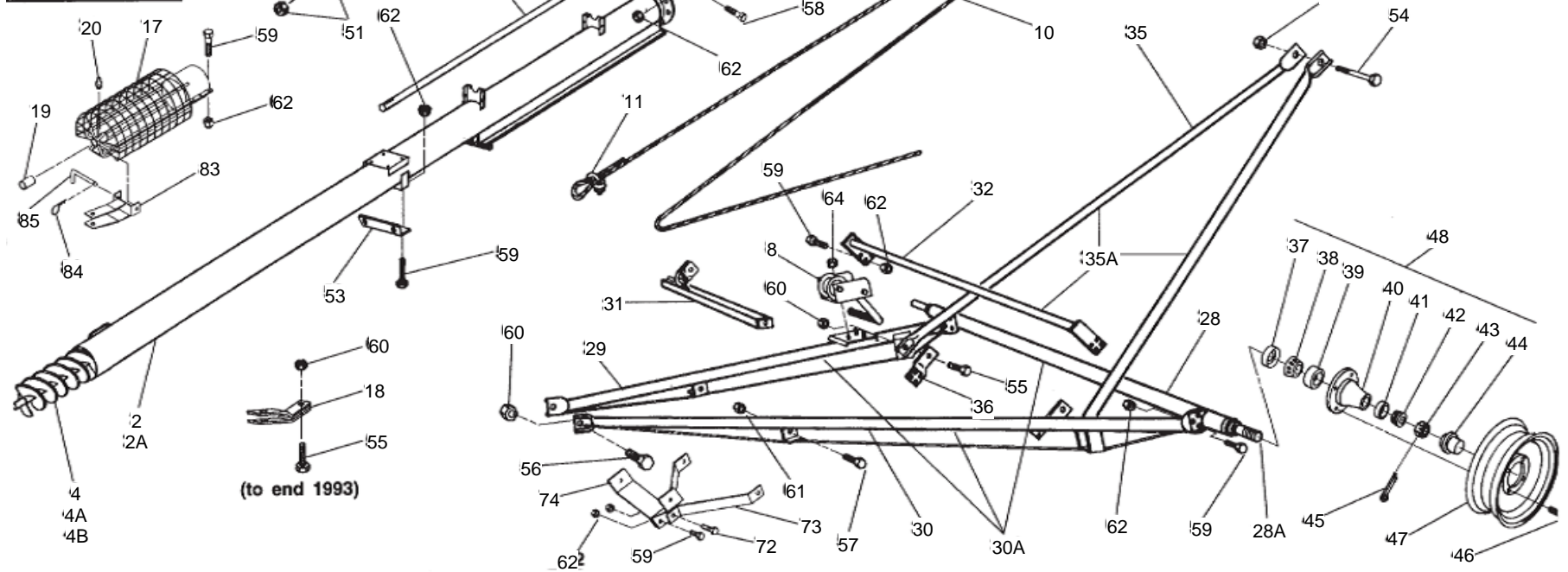
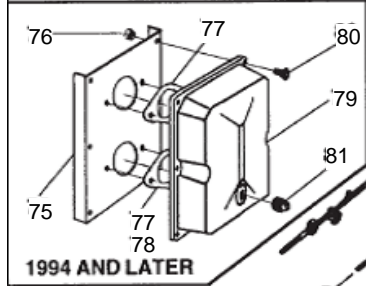
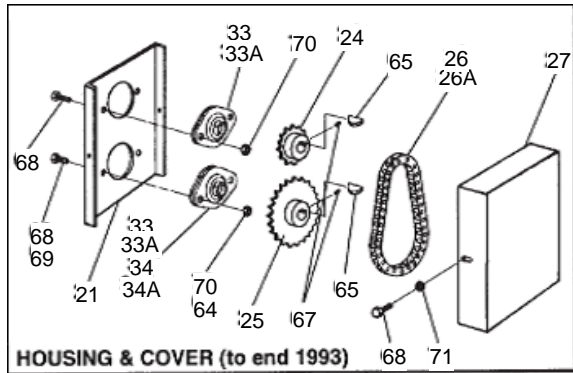
J210-41_BASIC_AUGER

ITEM	PART NO.	DESCRIPTION
1A	10-17520	Upper tube bundle, as shipped
1	10-17585	Upper tube section w/driveshaft, housing, track
2A	10-17521	Lower tube bundle, as shipped
2	10-17586	Lower tube section
3	10-19753	Upper flight section
4B	10-17535	Slip on intake flight (1998&UP)
4	10-19755	Lower flight section
4A	10-19760	Weld-on crimped intake flight
5	10-18702	Driveshaft, upper, 1-1/4" x 24'
6	10-18828	Driveshaft, lower, 1-1/4"x7' 0-1/2"
7	10-18762	Upper track stop
8	10-19152	Brake winch
9	10-18763	Roller trackshoe
10	10-18823	1/4" Cable, 38' long
11	10-19147	1/4" Cable clamp
12	10-19254	42" Driveshaft shield
13	10-19255	48" Driveshaft shield
14	10-18829	60" Driveshaft shield
15	10-19256	Shield tie-down strap
16	10-19257	Shield attach bracket
17	10-19774	Intake hitch w/shield, bushing, grease fitting
18	10-19775	Clevis, less bolt
19	10-19776	1-1/4" Bushing
20	10-19222	Press-in grease fitting
21	10-18841	Upper drive housing
22	10-18695	1-1/4" Bearing flange, single
23	10-18693	1-1/4" Split hardwood bearing, set of 2 halves
24	10-19430	Upper sprocket
25	10-18697	Lower sprocket
26	10-18696	Roller chain w/connector
26A	10-19433	Roller chain connector only
27	10-18842	Housing cover
28	10-18788	Axle w/spindles, nuts, cotter pins
28A	10-19262	Weld-on spindle only
29	10-18767	Lower reach tube, left
30	10-18772	Lower reach tube, right
30A	10-18777	Lower reach frame bundle, as shipped incl. part#18809
31	10-18793	Short crossmember
32	10-18797	Long crossmember
33A	10-18817	1" Bearing, less flanges
33	10-19321	1" Flangette bearing, 2 bolt
34A	10-18783	Upper lift tube bundle, as shipped, incl. ref. #32
34	10-19383	Upper lift tube, left or right, single
35	10-17477	Upper lift tube extension
36	10-19264	Seal
37	10-19265	Large bearing, Timken #LM 67048
38	10-19266	Large cup, Timken #LM 67010
39	10-19267	Hub w/cups
40	10-19268	Small cup, Timken #LM 11910
41	10-19269	Small bearing, Timken #LM 11949



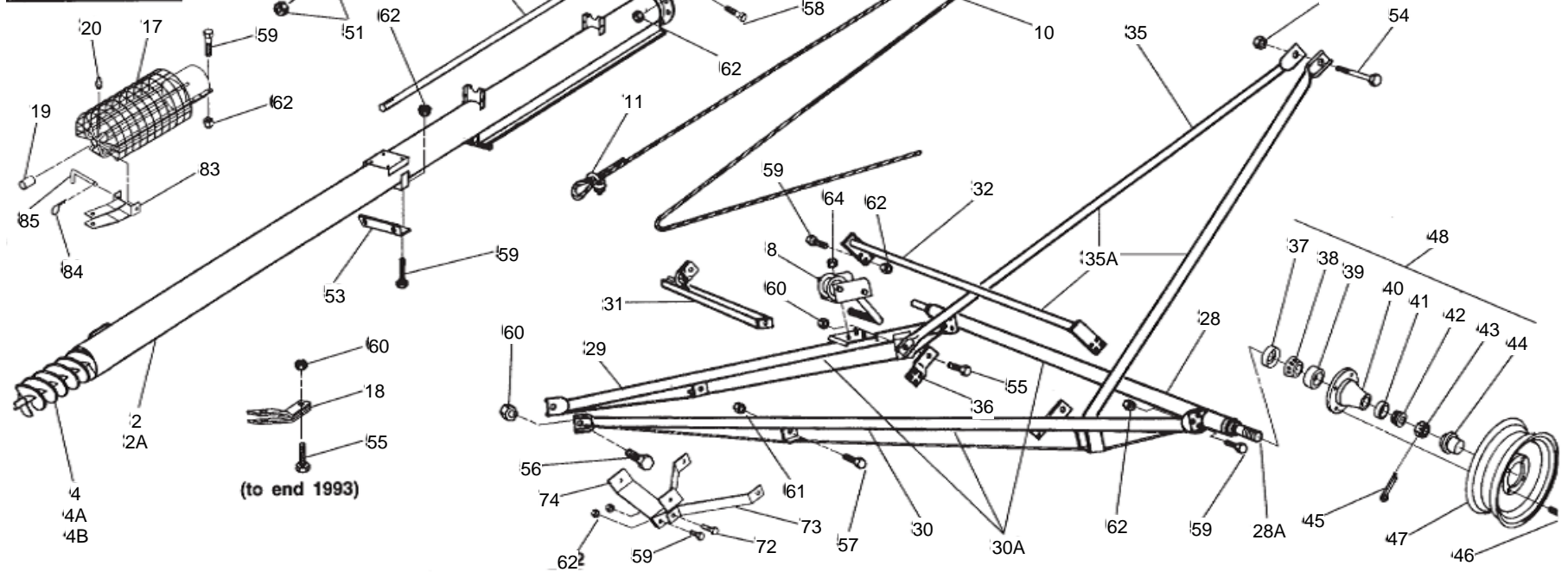
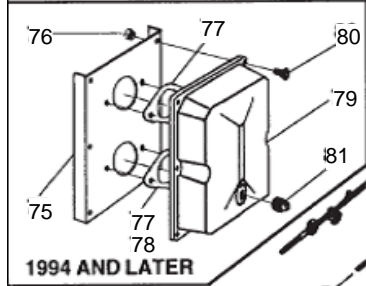
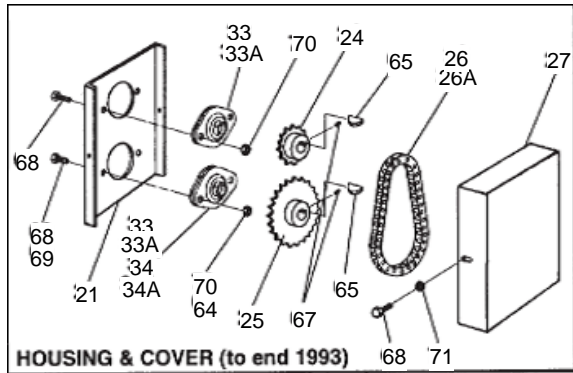
J210-41_BASIC_AUGER

ITEM	PART NO.	DESCRIPTION
42	10-19270	Slotted nut, 3/4" - 16
43	10-19272	Dust cap
44	10-19271	Cotter pin, 1/8" x 1-1/2"
45	10-19273	Wheel bolt, 1/2" - 20
46	10-19261	15" Wheel, 4 bolt
47	10-19467	Hub assembly, complete
48	10-19591	Bolt, 5/8" - 11 x 6-1/2", grade 5
49	10-19592	Bolt, 3/4" - 10 x 2", grade 5
50	10-19590	Bolt, 5/8" - 11 x 1-1/2", grade 5
51	10-19588	Bolt, 1/2" - 13 x 1-1/4", grade 5
52	10-19798	Bolt, 1/2" - 13 x 2-3/4", grade 8
53	10-19542	Bolt, 7/16" - 14 x 1", grade 5
54	10-19540	Bolt, 3/8" - 16 x 3/4", grade 2
55	10-19538	Bolt, 5/16" - 18 x 3/4", grade 2
56	10-19600	Locknut, 5/8" - 11
57	10-19599	Locknut, 1/2" - 13
58	10-19598	Locknut, 7/16" - 14
59	10-19274	Self-tapping screw, 1/4"-14x5/8"
60	10-19225	Setscrew, 3/8" - 16 x 3/8"
61	10-19596	Washer locknut, 3/8" - 16
62	10-19595	Washer locknut, 5/16" - 18
63	10-19224	Woodruff key, 1/4" x 1"
64	10-19119	Driveshaft connector
65	10-19603	Lockwasher, 5/16"
67	10-19981	Bolt, 7/16" - 14 x 1-3/4", grade 5
68	10-17116	Stabilizer brace, single
69	10-17117	Stabilizer bracket, single
70	10-17226	Upper drive housing (1994&UP)
71	10-19594	Washer locknut, 1/4" - 20
72	10-17167	Gasket for 1" flangette BRG
74	10-17160	Oil bath housing cover
75	10-19988	Bolt, 1/4" - 20 x 1", grade 2
76	10-17179	3/8" Plug
77	10-17182	Track washer, 7/16"
78	10-17180	Clevis, less pin
79	10-17181	CLEVIS PIN
80	10-17383	Grip clip
81	10-17225	Weld-on outlet spout
82	10-19601	Locknut, 3/4" - 10
83A	10-18852	1-1/4" Bearing, less flange
83	10-19567	1-1/4" Pillow block brg, 4-bolt
87	10-17410	J210-41 Carton
88	10-18671	J31/46 Carton
89	10-18673	J6/10-31/51 Carton
90	10-18676	JW2-1-4 Carton



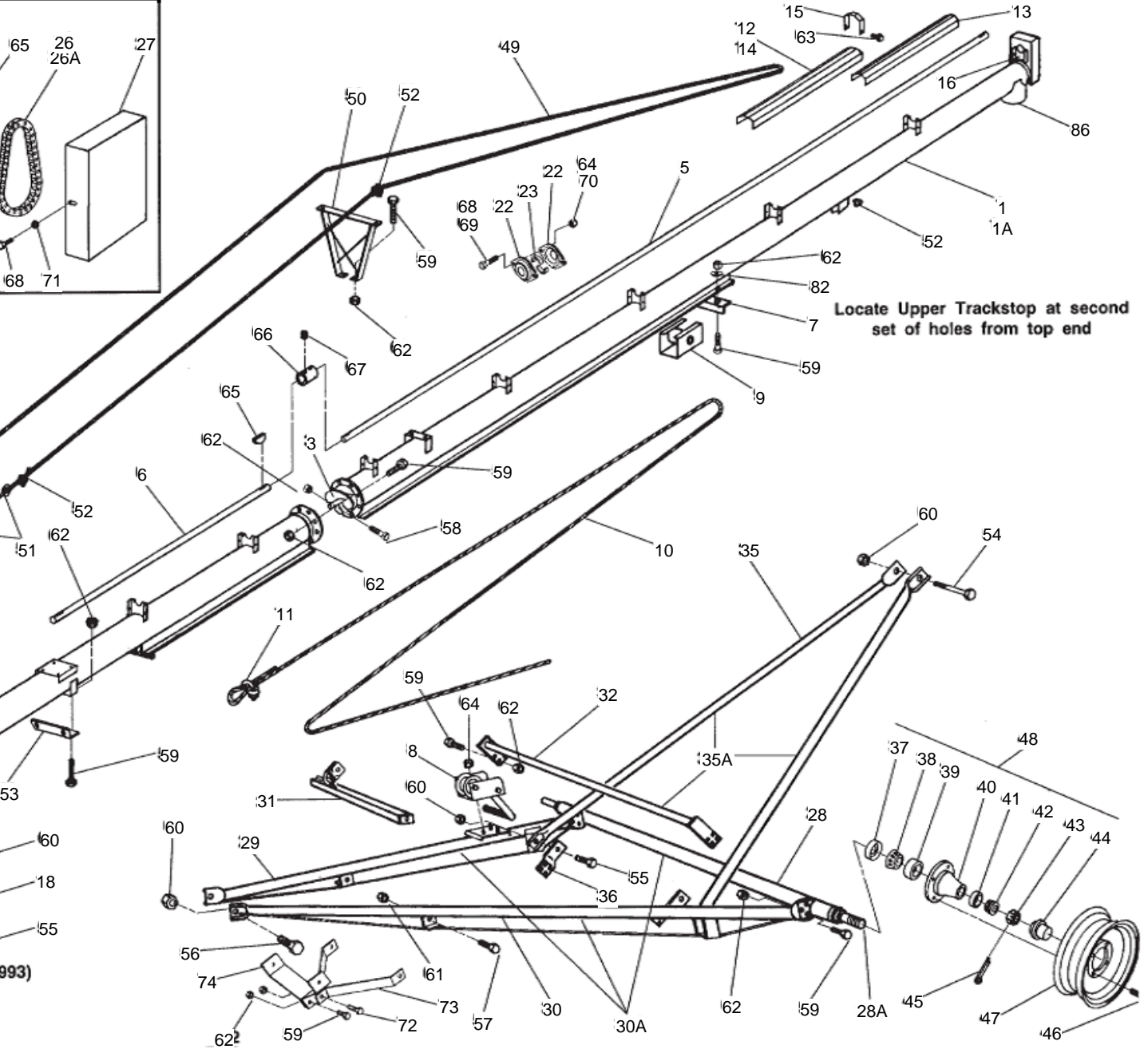
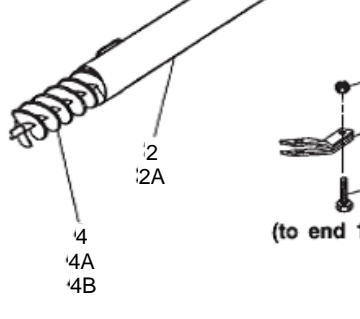
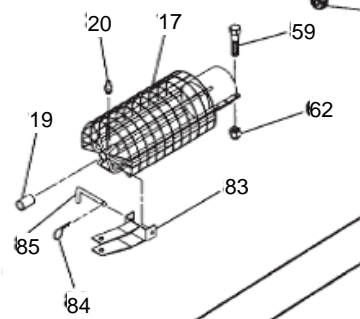
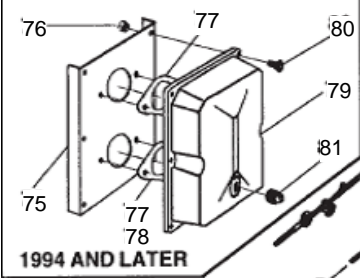
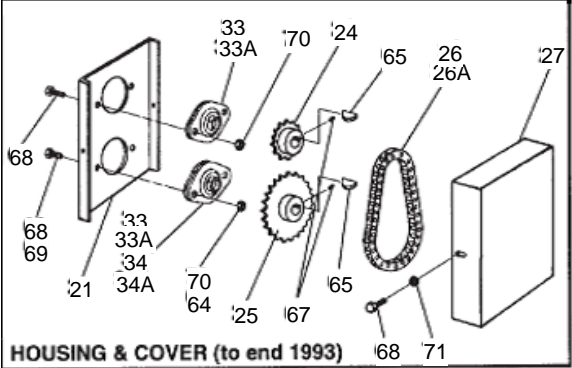
J207-46_BASIC_AUGER

ITEM	PART NO.	DESCRIPTION
1	10-18711	Upper tube section w/driveshaft, housing, track
1A	10-18722	Upper tube bundle, as shipped
2	10-18737	Lower tube section
2A	10-18755	Lower tube bundle, as shipped
3	10-19105	Upper flight section
4B	10-17533	Slip on intake flight (1998 & later)
4A	10-19084	Weld-on crimped intake flight
4	10-19114	Lower flight section
5	10-18700	Driveshaft, upper, 1" x 24' 2"
6	10-18839	Driveshaft, lower, 1" x 10' 3-1/2"
7	10-18762	Upper track stop
8	10-19152	Brake winch
9	10-18763	Roller trackshoe
10	10-19249	1/4" Cable, 44' long
11	10-19147	1/4" Cable clamp
12	10-19254	42" Driveshaft shield
13	10-19255	48" Driveshaft shield
14	10-18829	60" Driveshaft shield
15	10-19256	Shield tie-down strap
16	10-19257	Shield attach bracket
17	10-19192	Intake hitch w/shield, bushing, grease fitting
18	10-19442	Clevis, less bolt
19	10-19149	1" Bushing
20	10-19222	Press-in grease fitting
21	10-19314	Upper drive housing
22	10-18694	1" Flangette
23	10-18692	1" Split hardwood bearing, set of 2 halves
24	10-19131	Upper sprocket, 14 tooth
25	10-19132	Lower sprocket, 25 tooth
26	10-19133	Roller chain w/connector
26A	10-19134	Roller chain connector only
27	10-19318	Upper drive cover
28	10-18791	Axle w/spindles, nuts, cotter pins
28A	10-19263	Weld-on spindle only
29	10-18768	Lower reach tube, left
30	10-18773	Lower reach tube, right
30A	10-18778	Lower reach frame bundle, as shipped incl. part #18810
31	10-18794	Short crossmember
32	10-18798	Long crossmember
33A	10-18817	1" Bearing, less flange
33	10-19321	1" Flangette bearing, w/2 bolt flanges
35A	10-18784	Upper lift tube bundle, as shipped
35	10-19384	Upper lift tube, left or right, single
36	10-18804	Upper lift tube extension
37	10-19264	Seal
38	10-19265	Large bearing, Timken, #LM 67048
39	10-19266	Large cup, Timken, #LM 67010
40	10-19267	Hub w/cups
41	10-19268	Small cup, Timken #LM 11910
42	10-19269	Small bearing, Timken #LM 11949



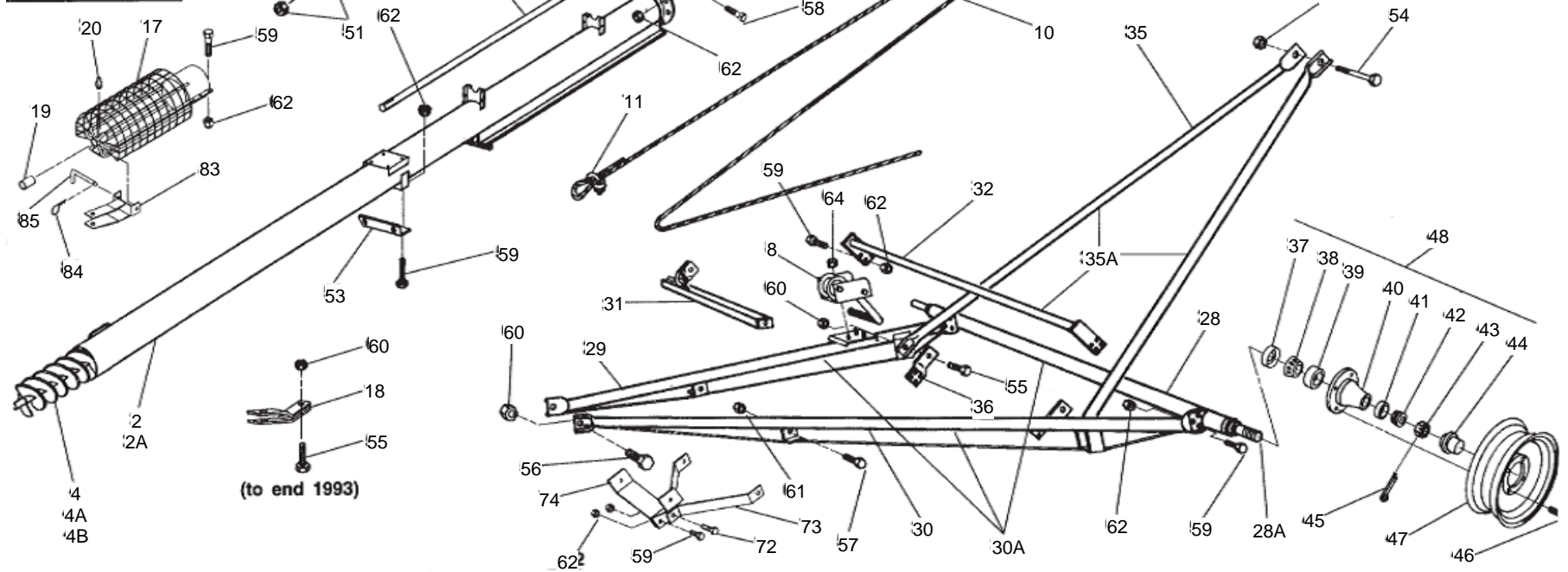
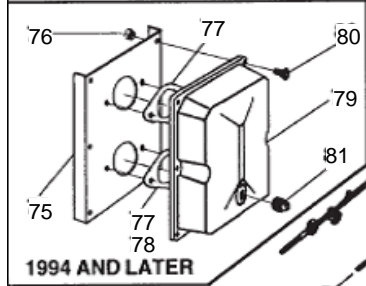
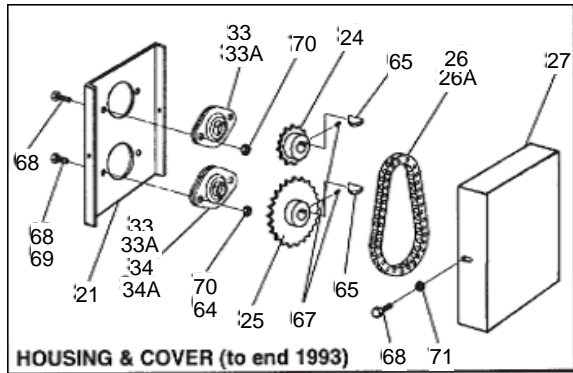
J207-46_BASIC_AUGER

ITEM	PART NO.	DESCRIPTION
43	10-19270	Slotted nut, 3/4" - 16
44	10-19272	Dust cap
45	10-19271	Cotter pin, 1/8" x 1-1/2"
46	10-19273	Wheel bolt, 1/2" - 20
47	10-19261	15" Wheel, 4 bolt
48	10-19467	Hub assembly, complete
49	10-18825	5/16" Truss cable, 57' 6" long
50	10-19324	Truss support bracket, low
51	10-19331	Eyebolt w/nut
52	10-19333	5/16" Cable clamp
53	10-19332	Truss attach angle
54	10-19591	Bolt, 5/8" - 11 x 6-1/2", grade 5
55	10-19991	Bolt, 5/8" - 11 x 2", grade 5
56	10-19590	Bolt, 5/8" - 11 x 1-1/2", grade 5
57	10-19588	Bolt, 1/2" - 13 x 1-1/4", grade 5
59	10-19542	Bolt, 7/16" - 14 x 1", grade 5
60	10-19600	Locknut, 5/8" - 11
61	10-19599	Locknut, 1/2" - 13
62	10-19598	Locknut, 7/16" - 14
63	10-19274	Self-tapping screw, 1/4" -14x5/8"
64	10-19596	Washer locknut, 3/8" - 16
65	10-19224	Woodruff key, 1/4" x 1"
66	10-19119	Driveshaft connector
67	10-19225	Setscrew, 3/8" - 16 x 3/8"
68	10-19538	Bolt, 5/16" - 18 x 3/4", grade 2
70	10-19595	Washer locknut, 5/16" - 18
72	10-19981	Bolt, 7/16" - 14 x 1-3/4", grade 5
73	10-17119	Stabilizer brace, single
74	10-17120	Stabilizer bracket, single
75	10-17171	Upper drive housing (1994&UP)
76	10-19594	Washer locknut, 1/4" - 20
77	10-17167	Gasket for 1" flangette brg
79	10-17157	Oil bath housing cover
80	10-19988	Bolt, 1/4" - 20 x 1", grade 2
81	10-17179	3/8" Plug
82	10-17182	Track washer, 7/16"
83	10-17123	Clevis less pin
84	10-17383	Grip clip
85	10-17181	Clevis pin
86	10-17155	Weld-on spout
87	10-18663	J207 - 46 Carton
89	10-18671	J31 / 46 Carton
90	10-18673	J6/10-31/51 Carton
91	10-18677	JW3 -1 - 4 Carton
92	10-18677	JW3 -1 - 4 Carton



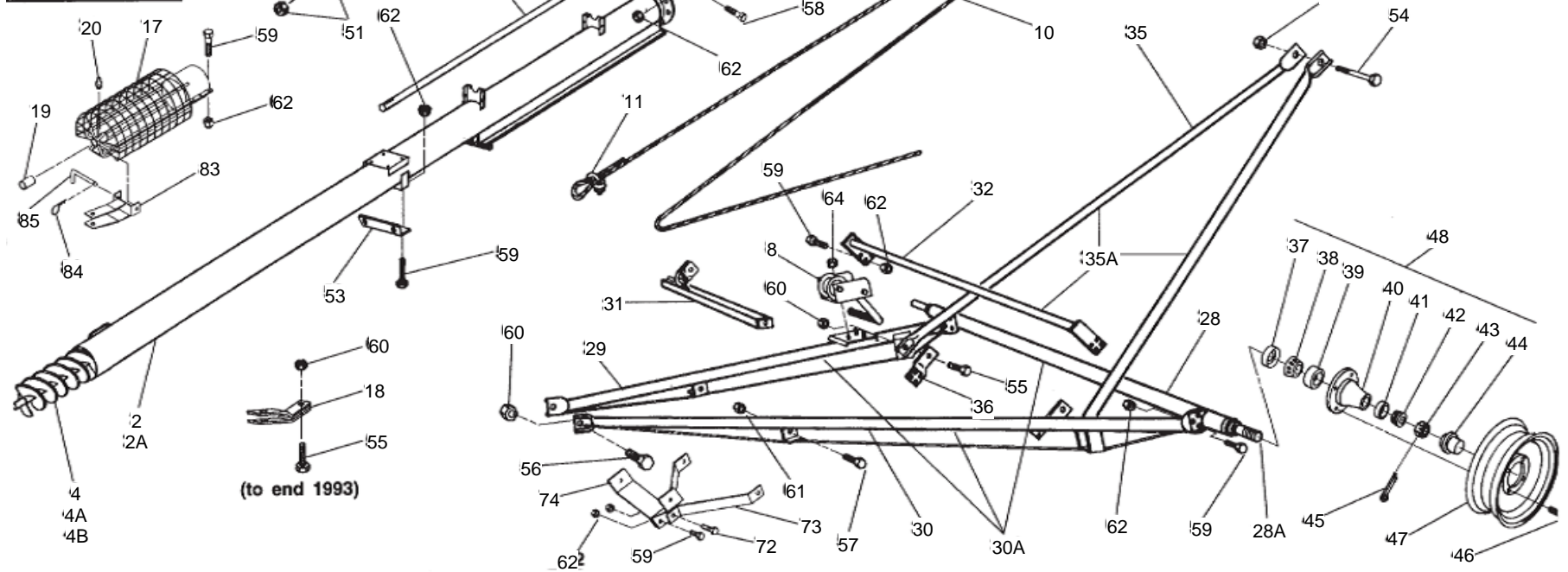
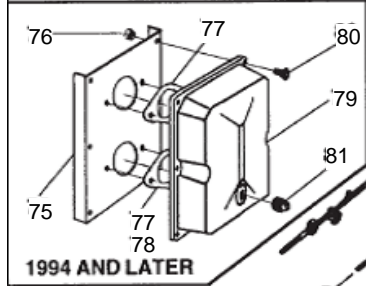
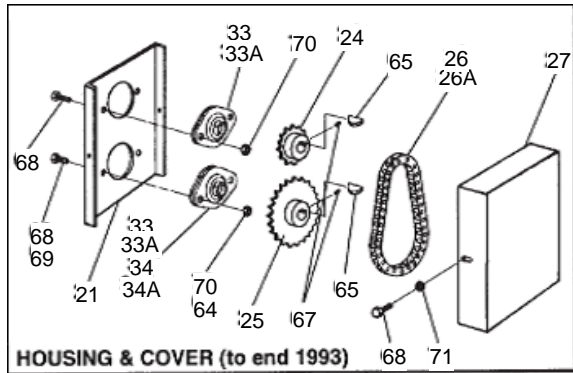
J208-46_BASIC_AUGER

ITEM	PART NO.	DESCRIPTION
1	10-18712	Upper tube section w/driveshaft, housing, track
1A	10-18723	Upper tube bundle, as shipped
2	10-18738	Lower tube section
2A	10-18756	Lower tube bundle, as shipped
3	10-19402	Upper flight section
4B	10-17534	Slip on intake flight (1998 & later)
4A	10-19085	Weld-on crimped intake flight
4	10-19409	Lower flight section
5	10-18702	Driveshaft, upper, 1-1/4" x 24'
6	10-18840	Driveshaft, lower, 1-1/4" x 10' 5-1/2"
7	10-18762	Upper track stop
8	10-19152	Brake winch
9	10-18763	Roller trackshoe
10	10-19249	1/4" Cable, 44' long
11	10-19147	1/4" Cable clamp
12	10-19254	42" Driveshaft shield
13	10-19255	48" Driveshaft shield
14	10-18829	60" Driveshaft shield
15	10-19256	Shield tie-down strap
16	10-19257	Shield attach bracket
17	10-19398	Intake hitch w/shield, bushing, grease fitting
18	10-19442	Clevis, less bolt
19	10-19149	1" Bushing
20	10-19222	Press-in grease fitting
21	10-19315	Upper drive housing
22	10-18695	1-1/4" FLANGETTE
23	10-18693	1-1/4" Split hardwood bearing, set of 2 halves
24	10-19430	Upper sprocket, 14 tooth
25	10-19431	Lower sprocket, 25 tooth
26	10-19432	Roller chain w/connector
26A	10-19433	Roller chain connector only
27	10-19319	Upper drive cover
28	10-18791	Axle w/spindles, nuts, cotter pins
28A	10-19263	Weld-on spindle only
29	10-18768	Lower reach tube, left
30	10-18773	Lower reach tube, right
30A	10-18778	Lower reach frame bundle, as shipped incl. part #18810
31	10-18794	Short crossmember
32	10-18798	Long crossmember
33A	10-18817	1" Bearing, less flange
33	10-19321	1" Flangette bearing, w/2 bolt flanges
34A	10-18853	1-1/4" Bearing, less flange
34	10-19322	1-1/4" Flangette bearing, w/2 bolt flanges
35A	10-18784	Upper lift tube bundle, as shipped
35	10-19384	Upper lift tube, left or right, single
36	10-18804	Upper lift tube extension
37	10-19264	Seal
38	10-19265	Large bearing, Timken, #LM 67048
39	10-19266	Large cup, Timken, #LM 67010
40	10-19267	Hub w/cups



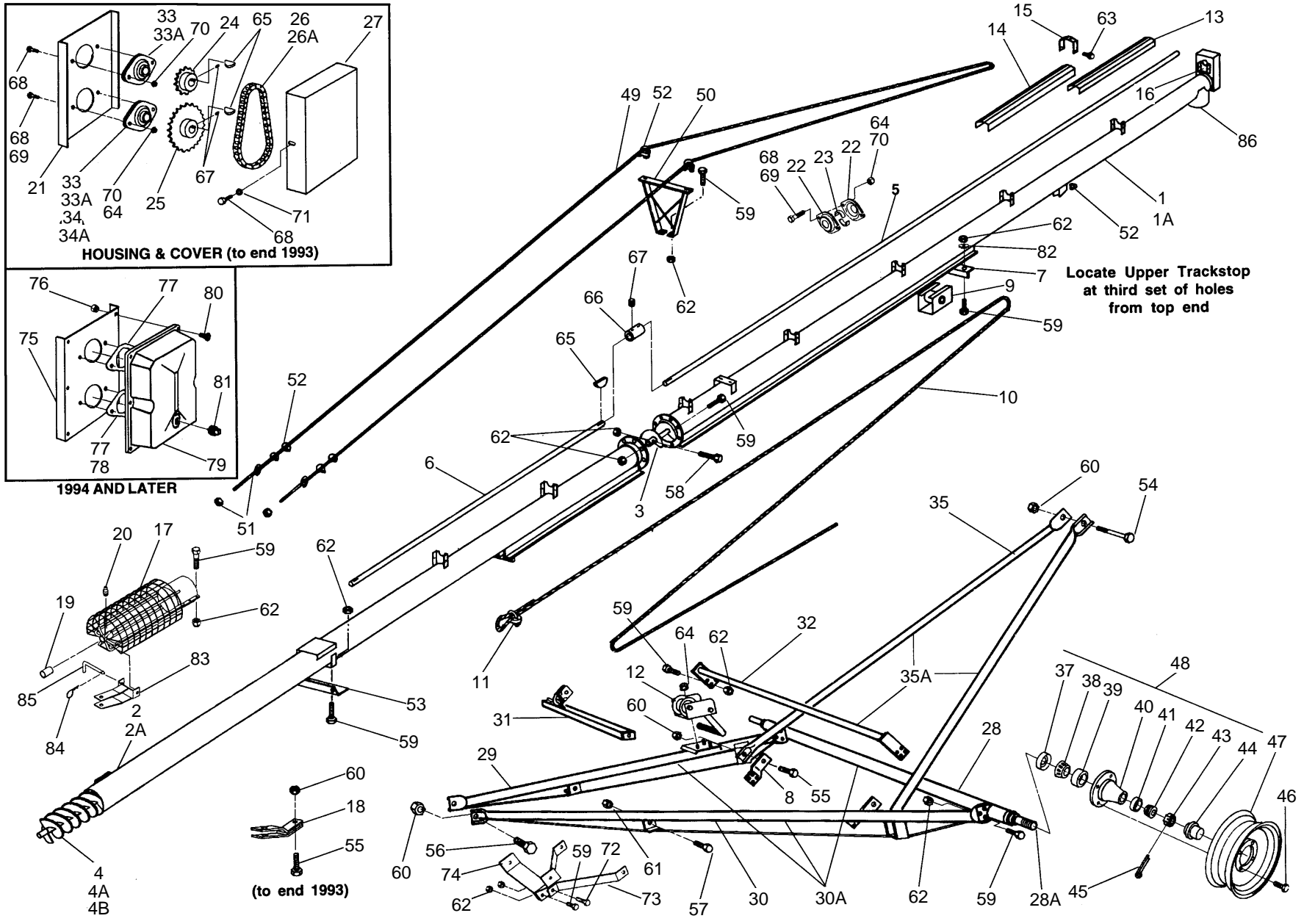
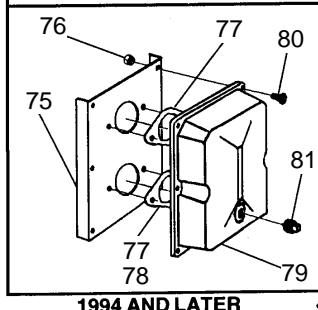
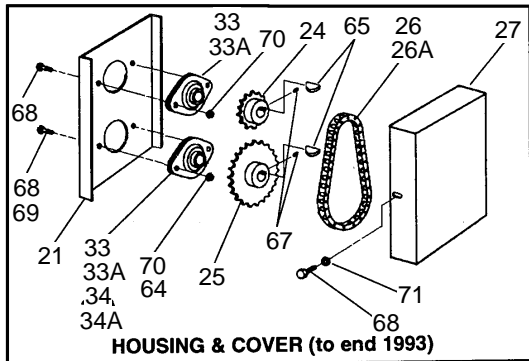
J208-46_BASIC_AUGER

ITEM	PART NO.	DESCRIPTION
41	10-19268	Small cup, Timken #LM 11910
42	10-19269	Small bearing, Timken #LM 11949
43	10-19270	Slotted nut, 3/4" - 16
44	10-19272	Dust cap
45	10-19271	Cotter pin, 1/8" x 1-1/2"
46	10-19273	Wheel bolt, 1/2" - 20
47	10-19261	15" Wheel, 4 bolt
48	10-19467	Hub assembly, complete
49	10-18825	5/16" Truss cable, 57' 6" long
50	10-19324	Truss support bracket, low
51	10-19331	Eyebolt w/nut
52	10-19333	5/16" Cable clamp
53	10-19332	Truss attach angle
54	10-19591	Bolt, 5/8" - 11 x 6-1/2", grade 5
55	10-19991	Bolt, 5/8" - 11 x 2", grade 5
56	10-19590	Bolt, 5/8" - 11 x 1-1/2", grade 5
57	10-19588	Bolt, 1/2" - 13 x 1-1/4", grade 5
58	10-19545	Bolt, 7/16" - 14 x 2-1/4", grade 8
59	10-19542	Bolt, 7/16" - 14 x 1", grade 5
60	10-19600	Locknut, 5/8" - 11
61	10-19599	Locknut, 1/2" - 13
62	10-19598	Locknut, 7/16" - 14
63	10-19274	Self-tapping screw, 1/4" -14x5/8"
64	10-19596	Washer locknut, 3/8" - 16
65	10-19224	Woodruff key, 1/4" x 1"
66	10-19119	Driveshaft connector
67	10-19225	Setscrew, 3/8" - 16 x 3/8"
68	10-19538	Bolt, 5/16" - 18 x 3/4", grade 2
69	10-19540	Bolt, 3/8" - 16 x 3/4", grade 2
70	10-19595	Washer locknut, 5/16" - 18
71	10-19603	Lockwasher, 5/16"
72	10-19981	Bolt, 7/16" - 14 x 1-3/4", grade 5
73	10-17119	Stabilizer brace, single
74	10-17120	Stabilizer bracket, single
75	10-17172	Upper drive housing (1994&UP)
76	10-19594	Washer locknut, 1/4" - 20
77	10-17167	Gasket for 1" flangette brg
78	10-17168	Gasket for 1-1/4" flangette brg
79	10-17158	Oil bath housing cover
80	10-19988	Bolt, 1/4" - 20 x 1", grade 2
81	10-17179	3/8" Plug
82	10-17182	Track washer, 7/16"
83	10-17123	Clevis less pin
84	10-17383	Grip clip
85	10-17181	Clevis pin
86	10-17156	Weld-on spout
88	10-18668	J208 - 46 Carton
89	10-18671	J31 / 46 Carton
90	10-18673	J6/10-31/51 Carton
91	10-18677	JW3 -1 - 4 Carton



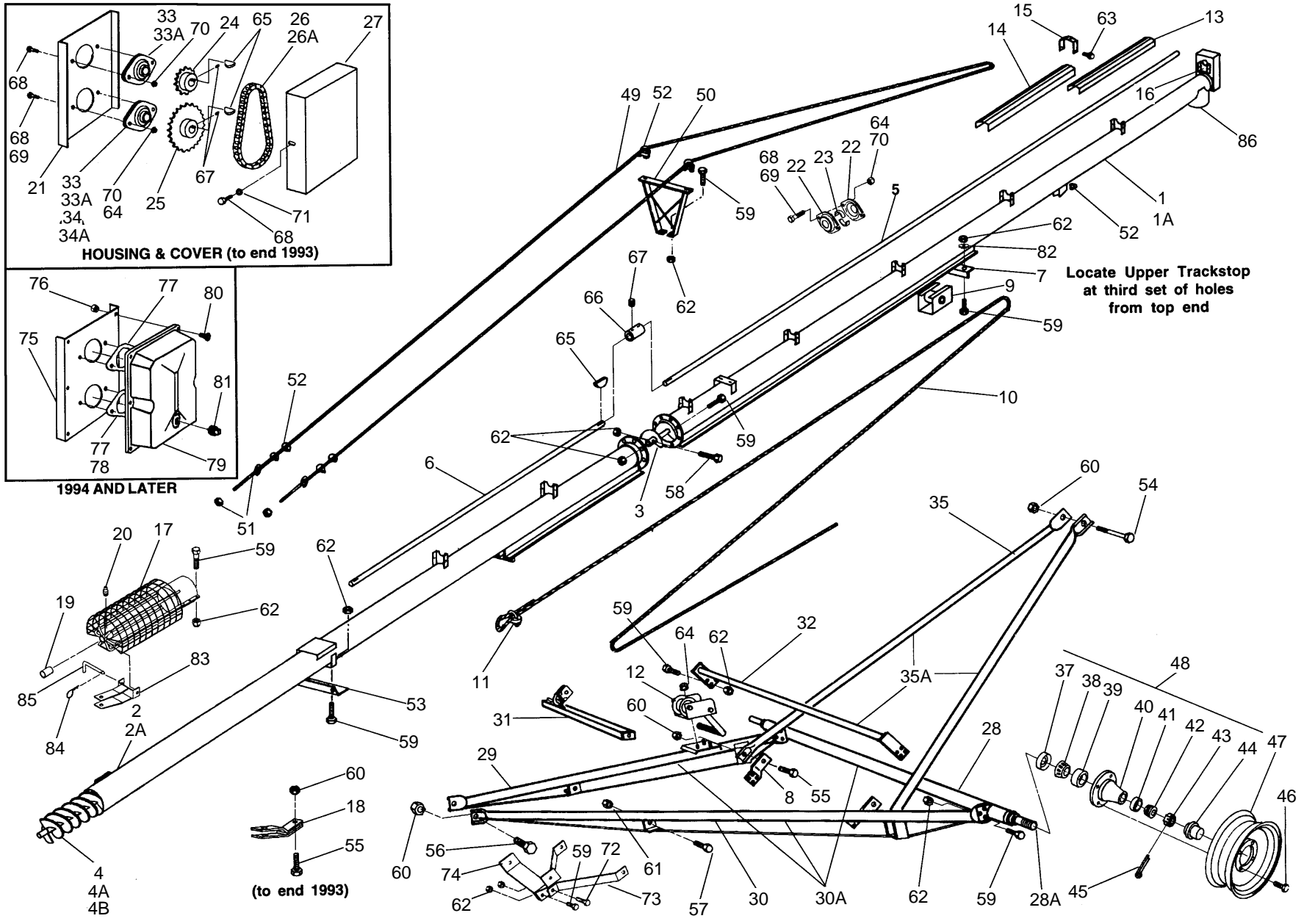
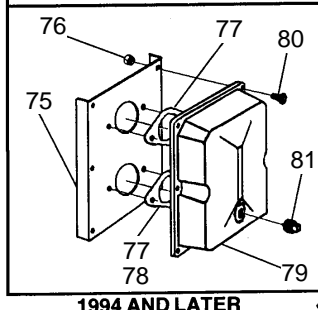
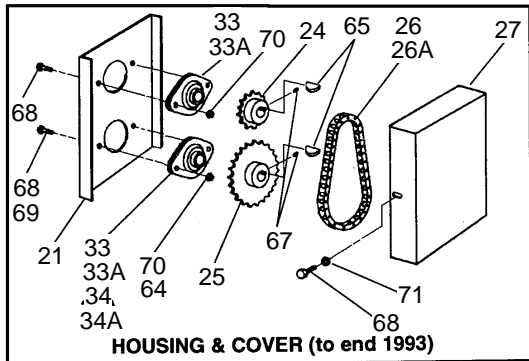
J208-46_BASIC_AUGER

ITEM	PART NO.	DESCRIPTION
92	10-18677	JW3 -1 - 4 Carton



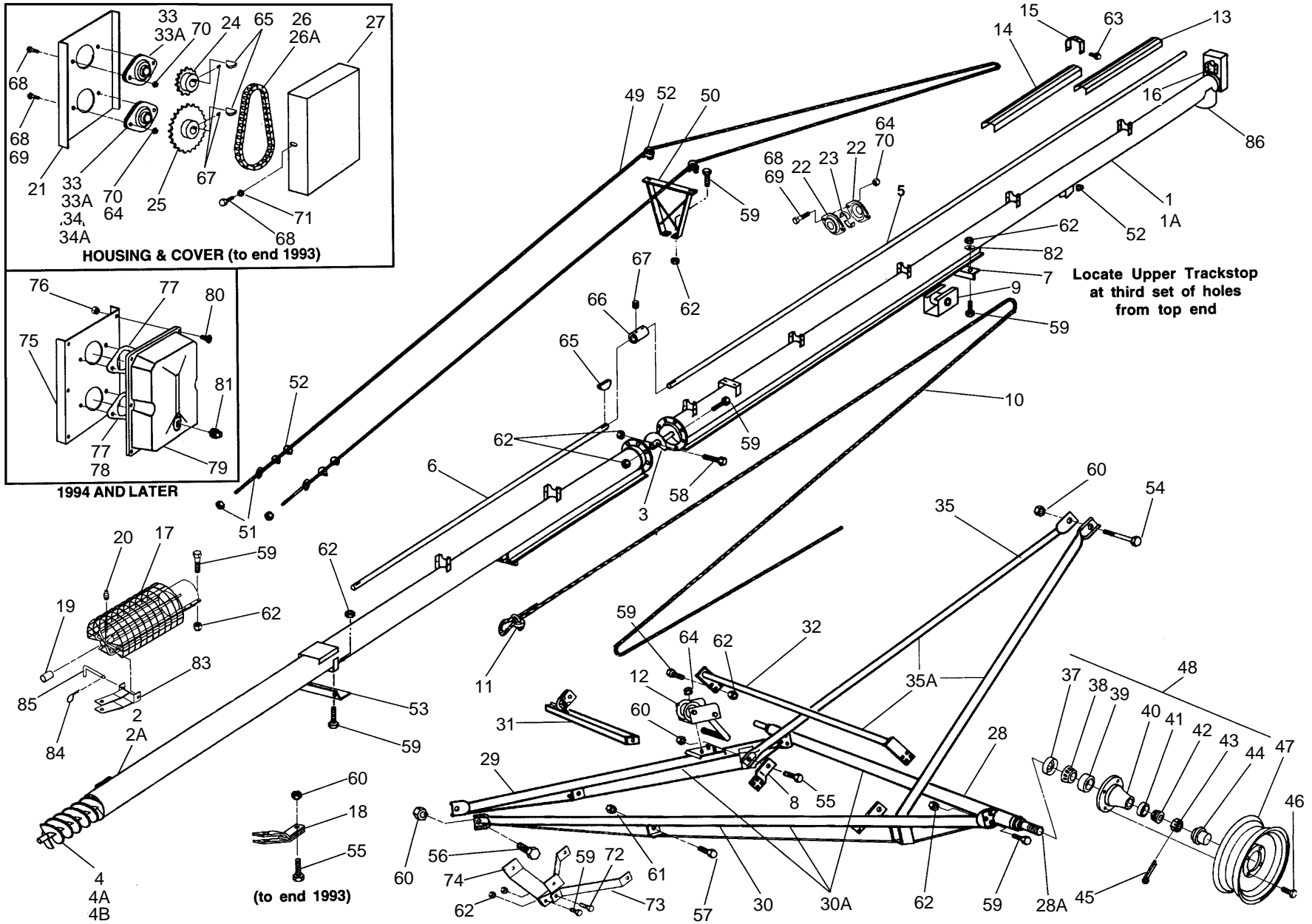
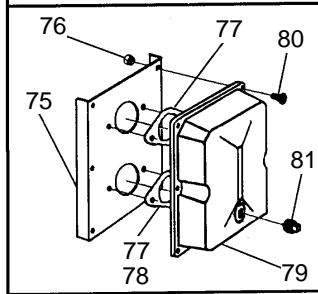
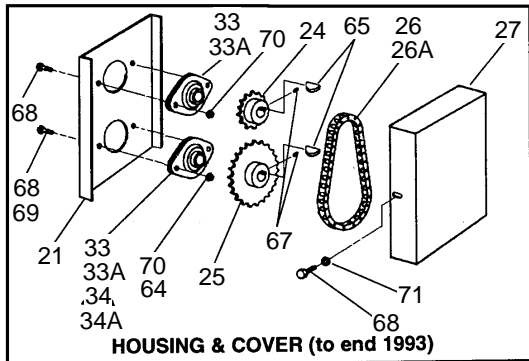
J207-51_BASIC_AUGER

ITEM	PART NO.	DESCRIPTION
1	10-18711	Upper tube section w/driveshaft, housing, track
1A	10-18722	Upper tube bundle, as shipped
2	10-18740	Lower tube section
2A	10-18758	Lower tube bundle, as shipped
3	10-19105	Upper flight section
4B	10-17533	Slip on intake flight (1998 & up)
4A	10-19084	Weld-on crimped intake flight
4	10-19115	Lower flight section
5	10-18700	Driveshaft, upper, 1" x 24' 2"
6	10-19086	Driveshaft, lower, 1" x 14' 4"
7	10-18762	Upper trackstop
8	10-18804	Upper lift tube extension
9	10-18763	Roller trackshoe
10	10-18824	1/4" Cable, 49' long
11	10-19147	1/4" Cable clamp
12	10-19152	Brake winch
13	10-19255	48" Driveshaft shield
14	10-18829	60" Driveshaft shield
15	10-19256	Shield tie-down strap
16	10-19257	Shield attach bracket
17	10-19192	Intake hitch w/shield, bushing, grease fitting
18	10-19442	Clevis, less bolt
19	10-19149	1" Bushing
20	10-19222	Press-in grease fitting
21	10-19314	Upper drive housing
22	10-18694	1" Bearing flange, single
23	10-18692	1" Split hardwood bearing, set of 2 halves
24	10-19131	Upper sprocket, 14 tooth
25	10-19132	Lower sprocket, 25 tooth
26	10-19133	Roller chain w/connector
26A	10-19134	Roller chain connector only
27	10-19318	Housing cover
28	10-18791	Axle w/spindles, nuts, cotter pins
28A	10-19263	Weld-on spindle only
29	10-18769	Lower reach tube, left
30	10-18774	Lower reach tube, right
30A	10-18779	Lower reach frame bundle, as shipped incl. part #18811
31	10-18794	Short crossmember
32	10-18798	Long crossmember
33A	10-18817	1" Bearing, less flange
33	10-19321	1" Flangette bearing, 2 bolt, w/flanges
35A	10-18785	Upper lift tube bundle, as shipped incl. Ref.#32
35	10-19522	Upper lift tube, left or right, single
37	10-19264	Seal
38	10-19265	Large bearing, Timken, #LM 67048
39	10-19266	Large cup, Timken, #LM 67010
40	10-19267	Hub w/cups
41	10-19268	Small cup, Timken #LM 11910
42	10-19269	Small bearing, Timken #LM 11949
43	10-19270	Slotted nut, 3/4" -16



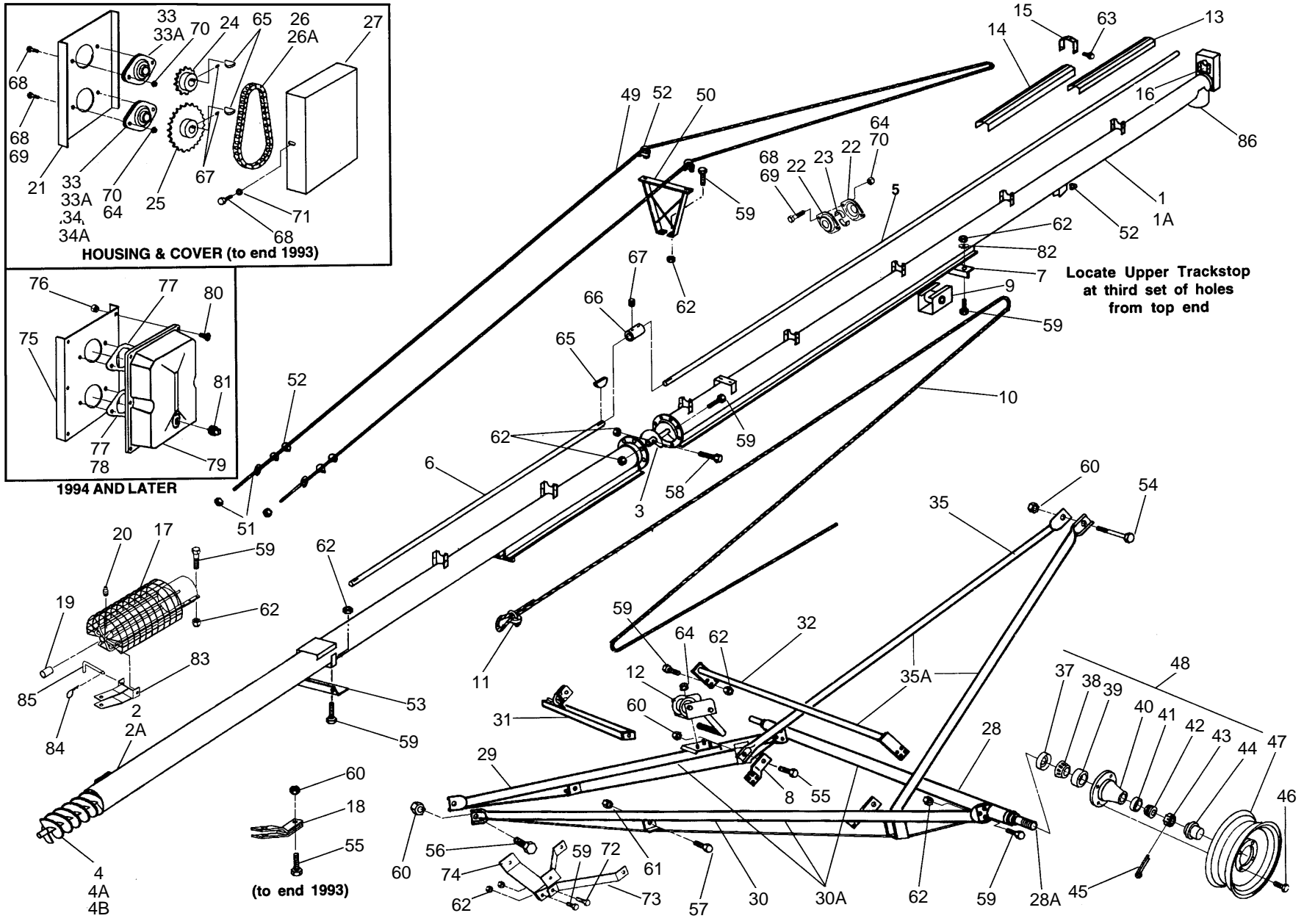
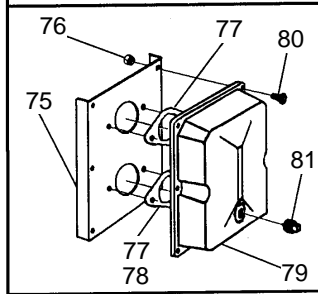
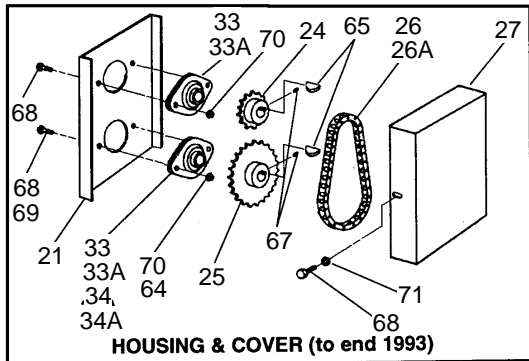
J207-51_BASIC_AUGER

ITEM	PART NO.	DESCRIPTION
44	10-19272	Dust cap
45	10-19271	Cotter pin, 1/8" x 1-1/2"
46	10-19273	Wheel bolt, 1/2" - 20
47	10-19261	15" Wheel, 4 bolt
48	10-19467	Hub assembly, complete
49	10-18826	5/16" Truss cable, 65'
50	10-19324	Truss support bracket, low
51	10-19331	Eyebolt w/nut
52	10-19333	5/16" Cable clamp
53	10-19332	Truss attach angle
54	10-19591	Bolt, 5/8" - 11 x 6-1/2", grade 5
55	10-19991	Bolt, 5/8" - 11 x 2", grade 5
56	10-19590	Bolt, 5/8" - 11 x 1-1/2", grade 5
57	10-19588	Bolt, 1/2" - 13 x 1-1/4", grade 5
59	10-19542	Bolt, 7/16" - 14 x 1", grade 5
60	10-19600	Locknut, 5/8" - 11
61	10-19599	Locknut, 1/2" - 13
62	10-19598	Locknut, 7/16" - 14
63	10-19274	Self-tapping screw, 1/4" - 14 x 5/8"
64	10-19596	Washer locknut, 3/8" - 16
65	10-19224	Woodruff key, 1/4" x 1"
66	10-19119	Driveshaft connector
67	10-19225	Setscrew, 3/8" - 16 x 3/8"
68	10-19538	Bolt, 5/16" - 18 x 3/4", grade 2
70	10-19595	Washer locknut, 5/16"
71	10-19603	Lockwasher, 5/16"
72	10-19981	Bolt, 7/16" - 14 x 1-3/4", grade 5
73	10-17119	Stabilizer brace, single
74	10-17120	Stabilizer bracket, single
75	10-17171	Upper drive housing (1994 & up)
76	10-19594	Washer locknut, 1/4" - 20
77	10-17167	Gasket for 1" flangette bearing
79	10-17157	Oil bath housing cover
80	10-19988	Bolt, 1/4" - 20 x 1", grade 2
81	10-17179	3/8" Plug
82	10-17182	Track washer, 7/16"
83	10-17123	Clevis less pin
84	10-17383	Grip clip
85	10-17181	Clevis pin
86	10-17156	Weld-on spout
87	10-18664	J207 - 51 Carton
89	10-18672	J51 Carton
90	10-18673	J6/10-31/51 Carton
91	10-18678	JWO - 2 - 6



J208-51_BASIC_AUGER

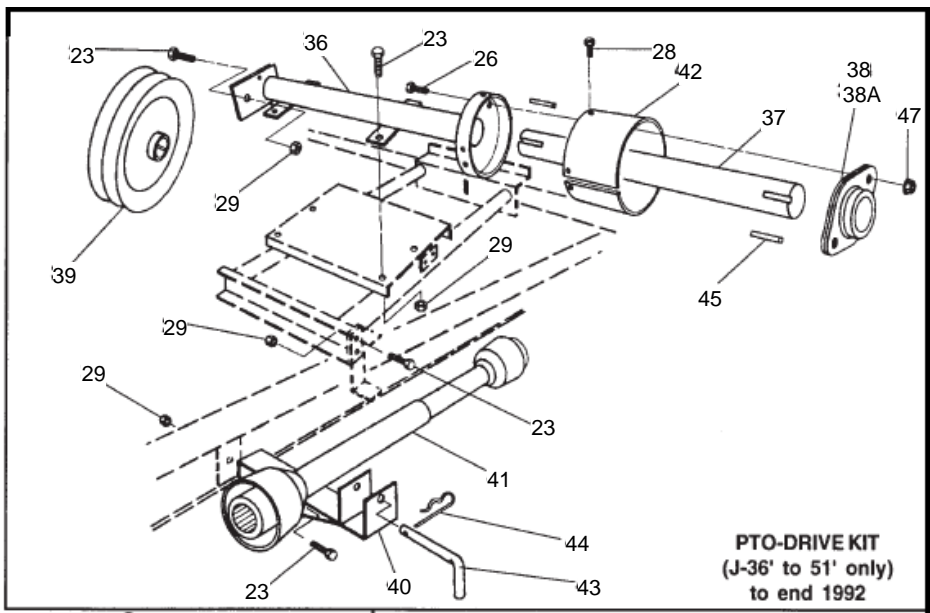
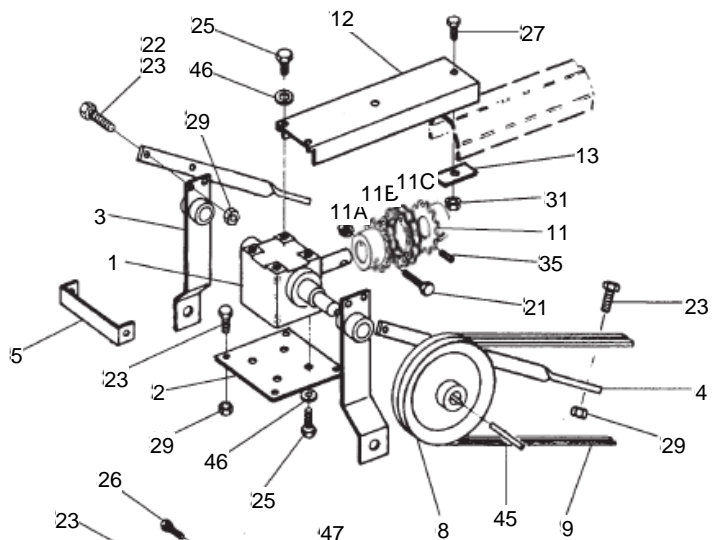
ITEM	PART NO.	DESCRIPTION
1	10-18712	Upper tube section w/driveshaft, housing, track
1A	10-18723	Upper tube bundle, as shipped
2	10-18741	Lower tube section
2A	10-18759	Lower tube bundle, as shipped
3	10-19402	Upper flight section
4B	10-17534	Slip on intake flight (1998 & up)
4A	10-19085	Weld-on crimped intake flight
4	10-19410	Lower flight section
5	10-18702	Driveshaft, upper, 1-1/4" x 24'
6	10-19631	Driveshaft, lower, 1-1/4" x 14' 4"
7	10-18762	Upper trackstop
8	10-18804	Upper lift tube extension
9	10-18763	Roller trackshoe
10	10-18824	1/4" Cable, 49' long
11	10-19147	1/4" Cable clamp
12	10-19152	Brake winch
13	10-19255	48" Driveshaft shield
14	10-18829	60" Driveshaft shield
15	10-19256	Shield tie-down strap
16	10-19257	Shield attach bracket
17	10-19398	Intake hitch w/shield, bushing, grease fitting
18	10-19442	Clevis, less bolt
19	10-19149	1" Bushing
20	10-19222	Press-in grease fitting
21	10-19315	Upper drive housing
22	10-18695	1-1/4" Bearing flange, single
23	10-18693	1-1/4" Split hardwood bearing, set of 2 halves
24	10-19430	Upper sprocket, 14 tooth
25	10-19431	Lower sprocket, 25 tooth
26	10-19432	Roller chain w/connector
26A	10-19433	Roller chain connector only
27	10-19319	Housing cover
28	10-18791	Axle w/spindles, nuts, cotter pins
28A	10-19263	Weld-on spindle only
29	10-18769	Lower reach tube, left
30	10-18774	Lower reach tube, right
30A	10-18779	Lower reach frame bundle, as shipped incl. part #18811
31	10-18794	Short crossmember
32	10-18798	Long crossmember
33A	10-18817	1" Bearing, less flange
33	10-19321	1" Flangette bearing, 2 bolt, w/flanges
34A	10-18853	1-1/4" Bearing, less flange
34	10-19322	1-1/4" Flangette bearing, 2 bolt, w/flanges
35A	10-18785	Upper lift tube bundle, as shipped incl. Ref.#32
35	10-19522	Upper lift tube, left or right, single
37	10-19264	Seal
38	10-19265	Large bearing, Timken, #LM 67048
39	10-19266	Large cup, Timken, #LM 67010
40	10-19267	Hub w/cups
41	10-19268	Small cup, Timken #LM 11910



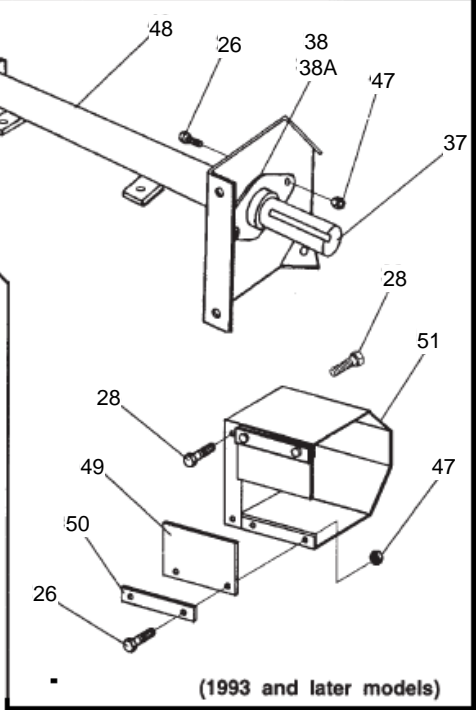
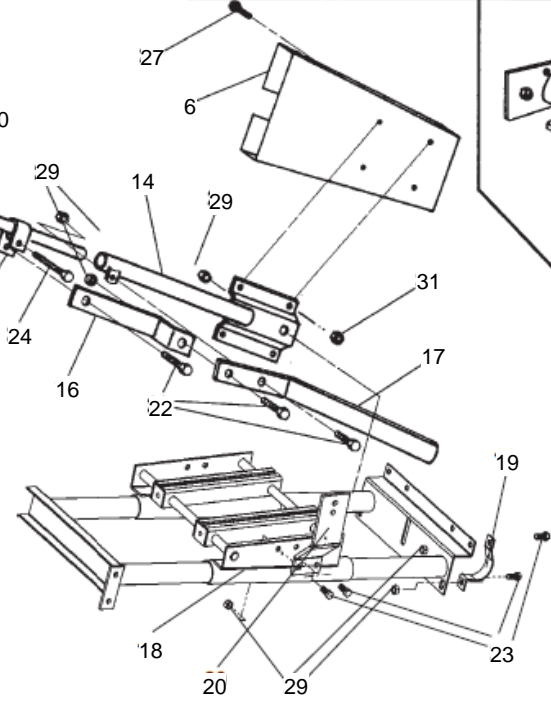
J208-51_BASIC_AUGER

ITEM	PART NO.	DESCRIPTION
42	10-19269	Small bearing, Timken #LM 11949
43	10-19270	Slotted nut, 3/4" -16
44	10-19272	Dust cap
45	10-19271	Cotter pin, 1/8" x 1-1/2"
46	10-19273	Wheel bolt, 1/2" - 20
47	10-19261	15" Wheel, 4 bolt
48	10-19467	Hub assembly, complete
49	10-18826	5/16" Truss cable, 65'
50	10-19324	Truss support bracket, low
51	10-19331	Eyebolt w/nut
52	10-19333	5/16" Cable clamp
53	10-19332	Truss attach angle
54	10-19591	Bolt, 5/8" - 11 x 6-1/2", grade 5
55	10-19991	Bolt, 5/8" - 11 x 2", grade 5
56	10-19590	Bolt, 5/8" - 11 x 1-1/2", grade 5
57	10-19588	Bolt, 1/2" - 13 x 1-1/4", grade 5
58	10-19545	Bolt, 7/16" - 14 x 2-1/4", grade 8
59	10-19542	Bolt, 7/16" - 14 x 1", grade 5
60	10-19600	Locknut, 5/8" - 11
61	10-19599	Locknut, 1/2" - 13
62	10-19598	Locknut, 7/16" - 14
63	10-19274	Self-tapping screw, 1/4" - 14 x 5/8"
64	10-19596	Washer locknut, 3/8" - 16
65	10-19224	Woodruff key, 1/4" x 1"
66	10-19119	Driveshaft connector
67	10-19225	Setscrew, 3/8" - 16 x 3/8"
68	10-19538	Bolt, 5/16" - 18 x 3/4", grade 2
69	10-19540	Bolt, 3/8" - 16 x 3/4", grade 2
70	10-19595	Washer locknut, 5/16"
71	10-19603	Lockwasher, 5/16"
72	10-19981	Bolt, 7/16" - 14 x 1-3/4", grade 5
73	10-17119	Stabilizer brace, single
74	10-17120	Stabilizer bracket, single
75	10-17172	Upper drive housing (1994 & up)
76	10-19594	Washer locknut, 1/4" - 20
77	10-17167	Gasket for 1" flangette bearing
78	10-17168	Gasket for 1-1/4" flangette bearing
79	10-17158	Oil bath housing cover
80	10-19988	Bolt, 1/4" - 20 x 1", grade 2
81	10-17179	3/8" Plug
82	10-17182	Track washer, 7/16"
83	10-17123	Clevis less pin
84	10-17383	Grip clip
85	10-17181	Clevis pin
86	10-17156	Weld-on spout
88	10-18669	J208 - 51 Carton
89	10-18672	J51 Carton
90	10-18673	J6/10-31/51 Carton
91	10-18678	JWO - 2 - 6

J SERIES DRIVE COMPONENTS



PTO-DRIVE KIT
(J-36' to 51' only)
to end 1992

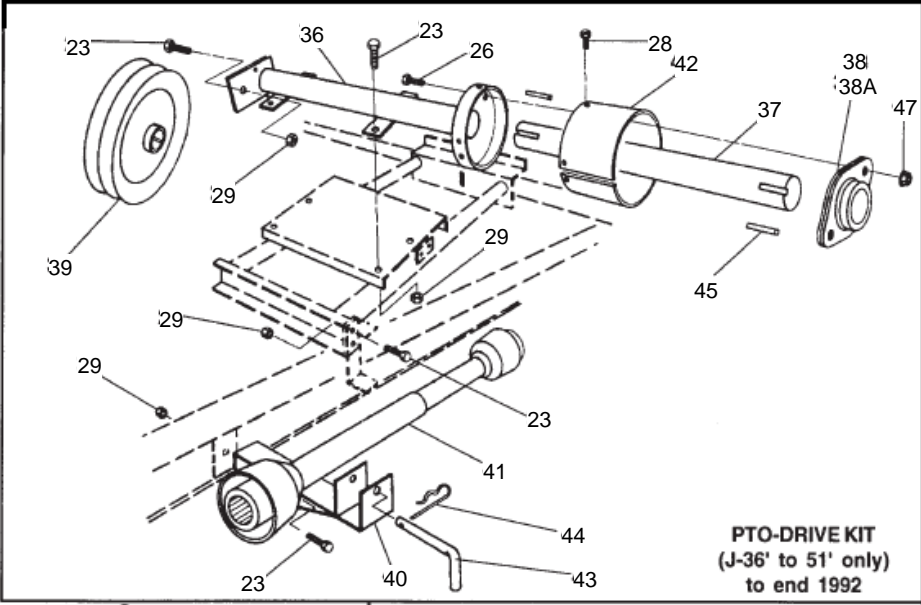
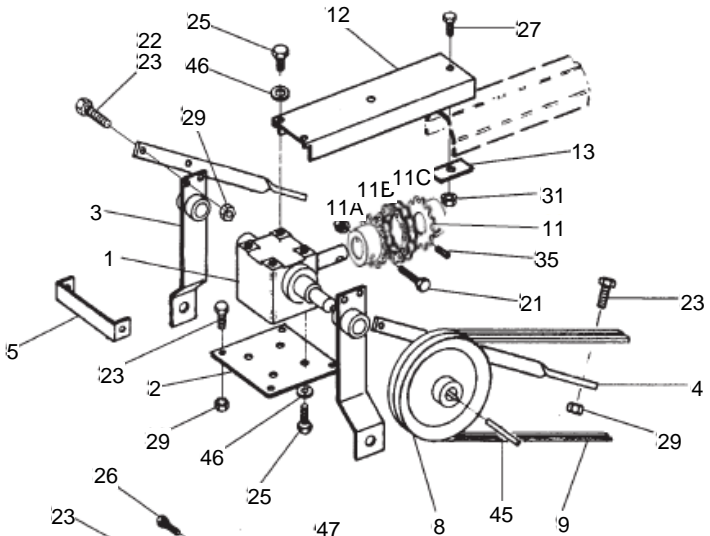


(1993 and later models)

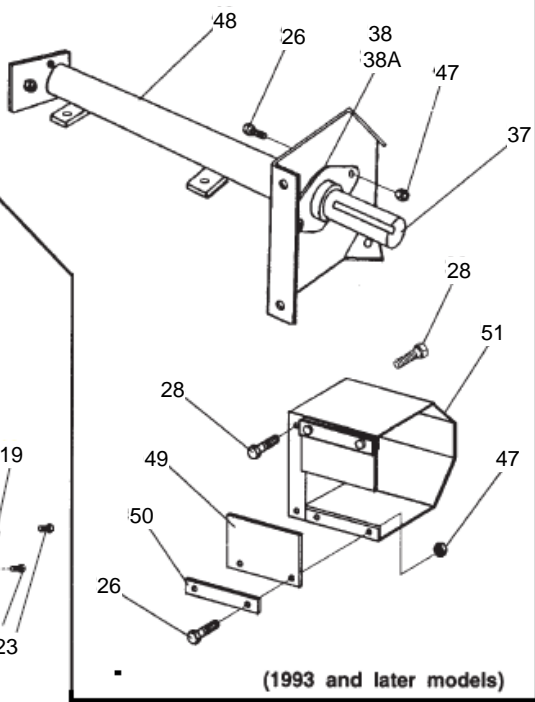
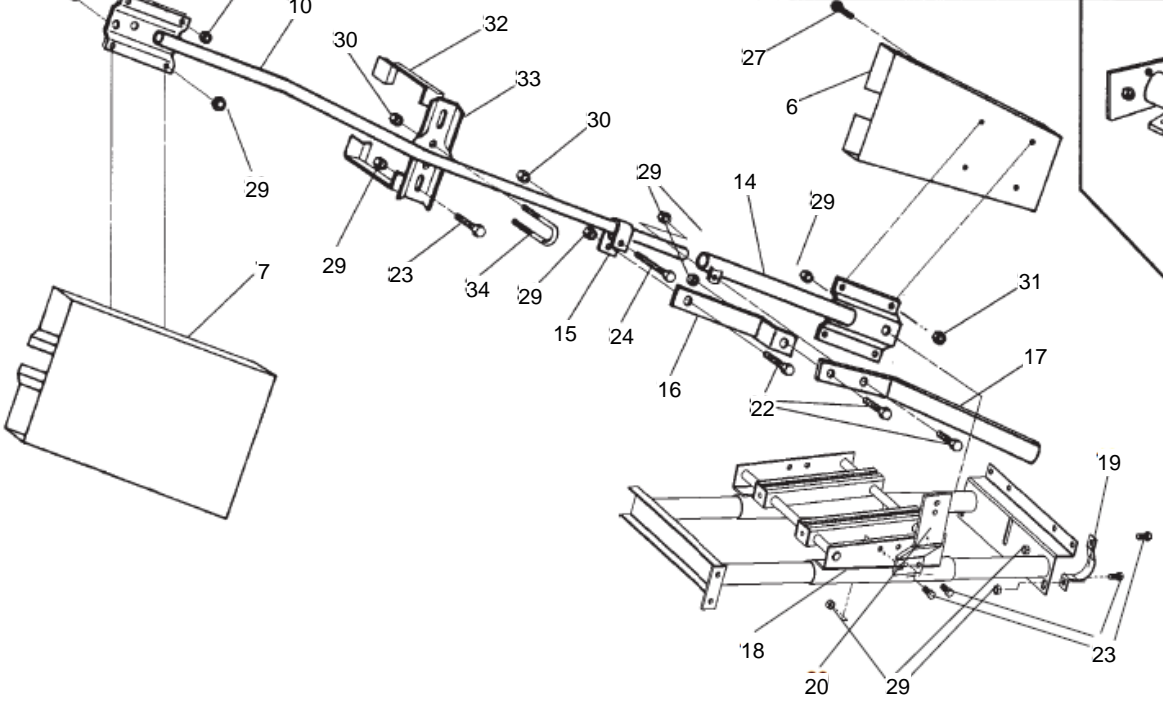
J SERIES DRIVE COMPONENTS

ITEM	PART NO.	DESCRIPTION
1	10-19473	Gearbox
2	10-19633	Gearbox mounting plate
3	10-18819	Hanger bracket (J36'-51')
3	10-18820	Hanger bracket (J-31' only) (J210-36'/41')
4	10-18821	Hanger braces
5	10-18830	Spacer
6	10-18815	Small pulley shield
7	10-18816	Large pulley shield
8	10-19612	13" Single groove pulley (J206 only)
8	10-19613	13" Double groove pulley
9	10-18688	Belt B195, J-31' only
9	10-18689	Belt B300, J-51' only
9	10-19478	Belt B210, J-36' only
9	10-19479	Belt B240, J-41' only
9	10-19480	Belt B270, J-46' only
10	10-18807	Push bar, J-31' only
10	10-18808	Push bar, J-36' only
10	10-18809	Push bar, J-41' only
10	10-18810	Push bar, J-46' only
10	10-18811	Push bar, J-51' only
11C	10-17591	Flex connector sprocket, 1" bore w/bolt
11	10-17592	Flex connector, 1" x 1" bore
11A	10-19557	Flex connector sprocket, 1" bore w/keyway
11B	10-19559	Roller chain
12	10-19626	Connector shield (Not Shown)
13	10-19627	Shield securing bracket
14	10-18806	Belt tension tube
15	10-18814	Belt tensioner clamp
16	10-18813	Belt tensioner bar
17	10-18812	Belt tensioner handle
18	10-27551	Motor mount assembly (J - 31' to 46')
18	10-27552	Motor mount assembly (J - 51')
19	10-18802	Mounting strap (J - 31'/36' & 41' only)
19	10-18803	Mounting strap (J - 46' & 51' only)
20	10-18805	Push bracket
21	10-19539	Bolt, 5/16" - 18 x 2", grade 2
22	10-18698	Bolt, 7/16" - 14 x 1-1/4", grade 8
23	10-19542	Bolt, 7/16" - 14 x 1", grade 5
24	10-18699	Bolt, 3/8" - 16 x 2-1/2", grade 5
25	10-19540	Bolt, 3/8" - 16 x 3/4", grade 2
26	10-19538	Bolt, 5/16" - 18 x 3/4", grade 2
27	10-19537	Bolt, 1/4" - 20 x 1/2", grade 5
28	10-19984	Self-tapping screw, #14 x 1/2"
29	10-19598	Locknut, 7/16" - 14
30	10-19596	Washer locknut, 3/8" - 16
31	10-19594	Washer locknut, 1/4" - 20
32	10-19639	Belt guide
33	10-18818	Belt guide support
34	10-18845	U-bolt, 3/8" - 16 x 1-1/2"
35	10-19225	Setscrew, 3/8" - 16 x 3/8"

J SERIES DRIVE COMPONENTS



PTO-DRIVE KIT
(J-36' to 51' only)
to end 1992



(1993 and later models)

J SERIES DRIVE COMPONENTS

ITEM	PART NO.	DESCRIPTION
36	10-18843	Jackshaft assembly less rubber shield (J - 36' / 41')
36	10-18844	Jackshaft assembly less rubber shield (J - 46' / 51')
37	10-18833	1" Dia. shaft, 29" long (J - 36' / 41')
37	10-18834	1" Dia. shaft, 33-3/4" long (J46' / 51')
38	10-18694	1" Bearing flange, single
38A	10-18817	1" Bearing, less flanges
39	10-18835	6-1/2" Dia. single groove pulley (J206 only)
39	10-18836	6-1/2" Dia. double groove pulley
40	10-18837	PTO transport saddle
41	10-19520	PTO - Driveline
42	10-18838	Rubber shield
43	10-19648	Saddle pin less hairpin
44	10-19463	Hairpin
45	10-19606	Square key, 1/4" x 1-1/2"
46	10-19604	3/8" Lockwasher
47	10-19595	Washer locknut, 5/16" - 18
48	10-17227	Jackshaft assembly, less shield (J - 36' / 41')
48	10-17228	Jackshaft assembly, less shield (J - 46' / 51')
49	10-17229	Rubber flap
50	10-17230	Rubber mount strap
51	10-17231	Shield assembly with rubber

WESTFIELD

Westfield Industries is a Division of Ag Growth Industries Partnership
Part of the Ag Growth International Inc. Group

P.O. Box 39

Rosenort, Manitoba, Canada R0G 1W0

Phone: (866) 467-7207 (Canada & USA)

Fax: (866) 768-4852

website: www.grainaugers.com

email: sales@grainaugers.com

© Ag Growth International 2014



Printed in Canada