



UTILITY AUGER

WESTFIELD

PARTS MANUAL

BOX 39, ROSENORT, MANITOBA, CANADA R0G 1W0
PHONE: (866) 467-7207 (CANADA & USA)
FAX: (866) 768-4852
WEBSITE: WWW.GRAINAUGERS.COM
EMAIL: SALES@GRAINAUGERS.COM



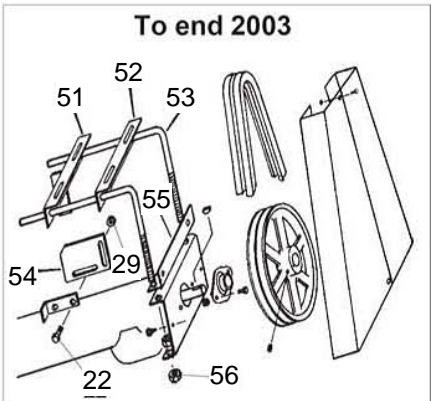
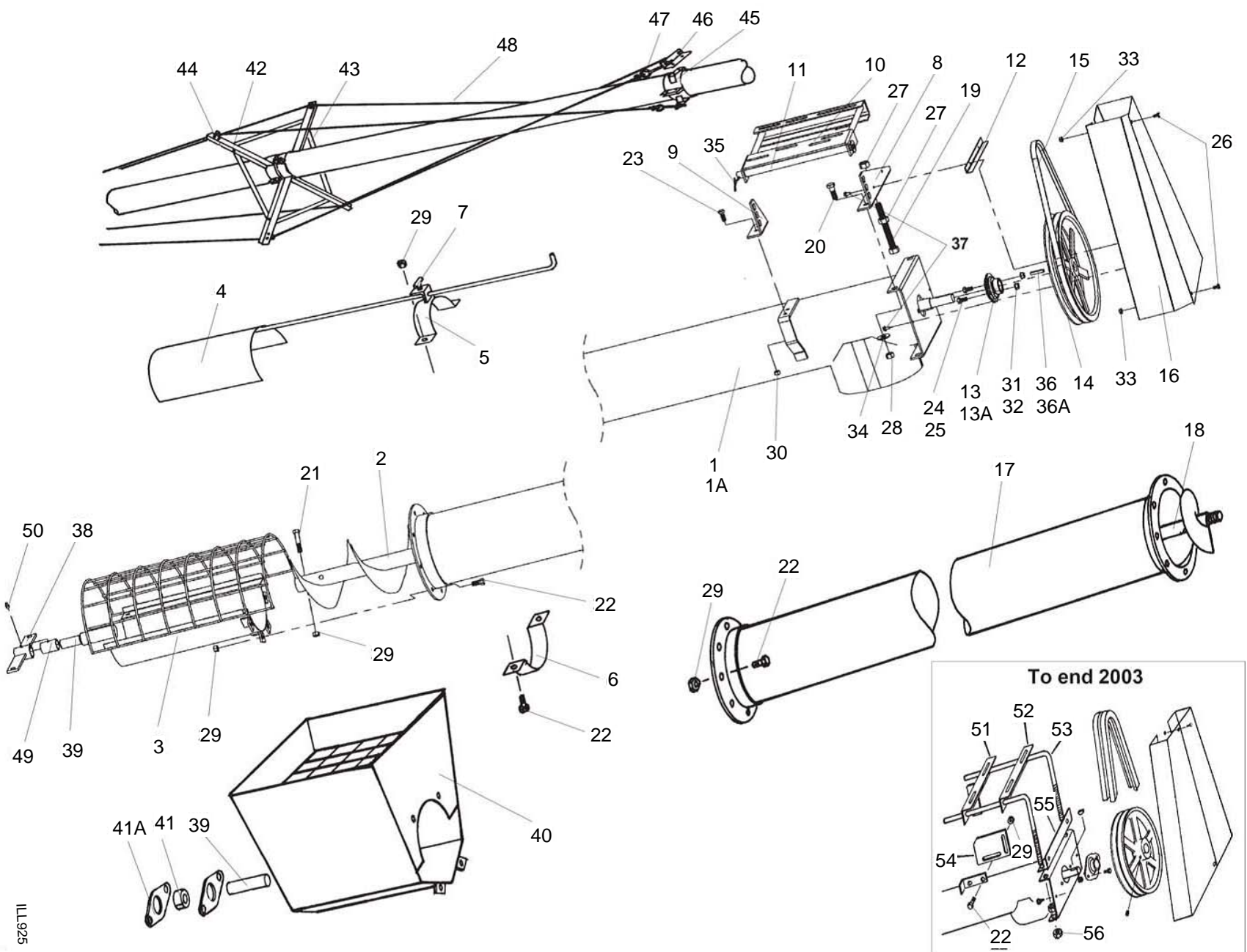
AG GROWTH INTERNATIONAL

REVISED: 20/11/2014

TABLE OF CONTENTS

DESCRIPTION	PAGE
UT-6 UTILITY AUGER	2
UT-7 UTILITY AUGER	6
UT-8 UTILITY AUGER	10
UT-10 UTILITY AUGER	14
UT-13 UTILITY AUGER	18
UT-4 UTILITY AUGER	22

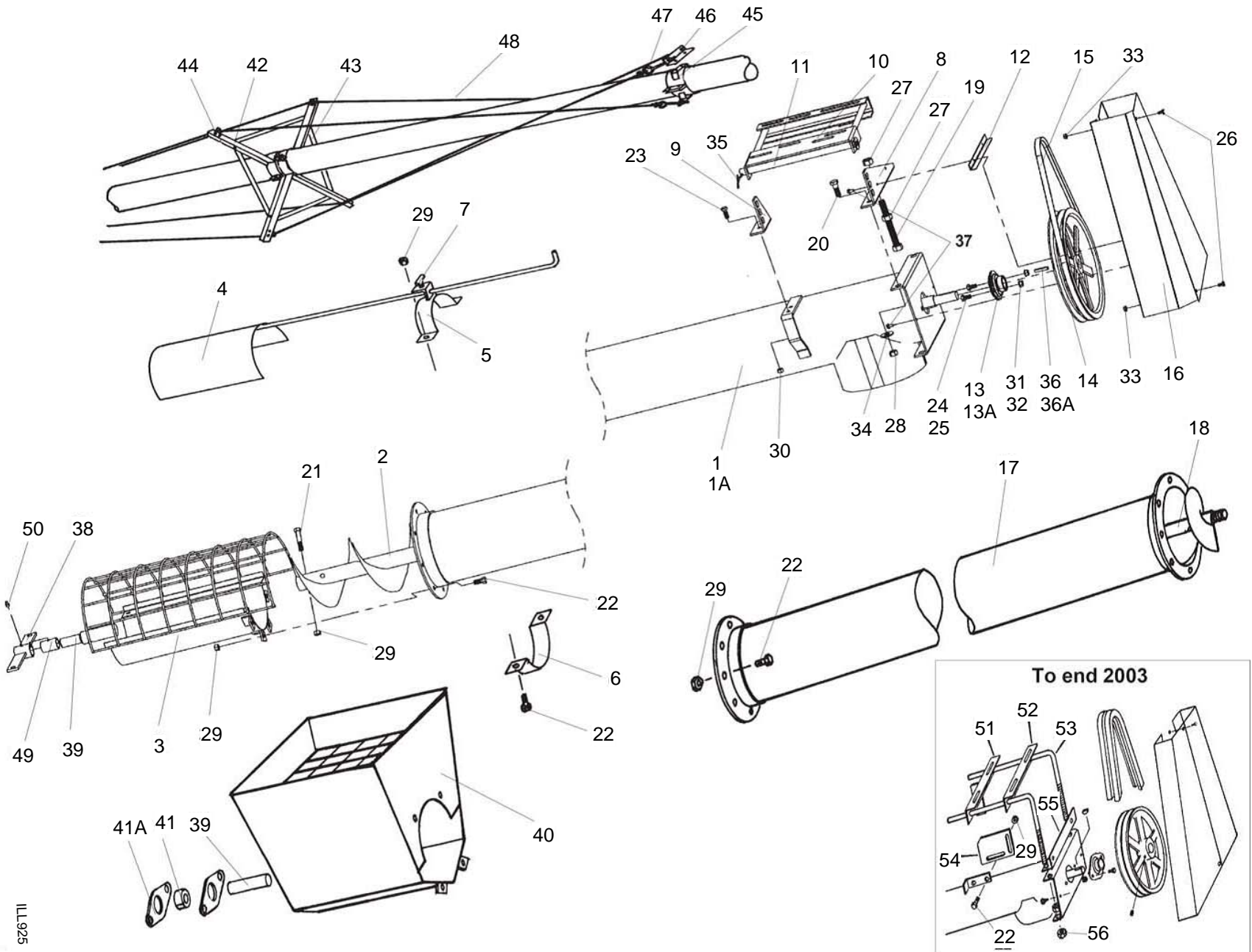
UT-6 UTILITY AUGER



UT-6 UTILITY AUGER

ITEM	PART NO.	DESCRIPTION
1	10-19820	Basic tube section w/end plate
1A	10-19823	Basic tube & flight bundle, as shipped
2	10-19826	Basic flight section
3	10-19829	Intake shield assembly
4	10-19832	Feed control
5	10-19835	Feed control clamp
6	10-19022	Tube halfband
7	10-19838	T-Bolt
8	10-27460	Front mount plate
9	10-27461	Rear mount plate
10	10-27462	Motor mount
11	10-27463	Hinge rod
12	10-27464	Shield strap
13A	10-18817	1" bearing, less flanges
13	10-19321	1" flangette bearing
14	10-19613	Double groove 13" pulley
15	10-19843	Belt, B48 on 6", B51 on 7" & 8"
16	10-19845	Pulley shield
17	10-19846	5' extension tube section
17	10-19849	10' extension tube section
17	10-19852	15' extension tube section
18	10-19855	5' extension flight section
18	10-19858	10' extension flight section
18	10-19861	15' extension flight section
19	10-27249	Adjust bolt, 5/8" x 6"
20	10-19589	Bolt, 1/2" - 13 x 1-1/2", grade 5
22	10-19542	Bolt, 7/16" - 14 x 1", grade 5
23	10-18955	Bolt, 3/8" - 16 x 1", grade 5
25	10-19538	Bolt, 5/16" - 18 x 3/4", grade 2
26	10-19537	Bolt, 1/4" - 20 x 1/2", grade 5
27	10-19864	Hexnut, 5/8" - 11
28	10-19599	Locknut, 1/2" - 13
29	10-19598	Locknut, 7/16" - 14
30	10-17402	Locknut, 3/8" - 16
32	10-19595	Washer-locknut, 5/16" - 18
33	10-19594	Washer-locknut, 1/4" - 20
34	10-17401	Flat washer, 1/2"
35	10-19271	Cotter pin, 1/8" x 1-1/2"
36A	10-19224	Woodruff key, 1/4" x 1"
37	10-19274	self-tapping screw, #14 x 5/8", w/washerhead
38	10-19868	Flight shaft support bushing
39	10-19871	Stub shaft
40	10-19873	Intake hopper
41	10-18690	Hopper bearing, hardwood, less flanges
41A	10-18694	1" Bearing flange, single, 2 bolt
42	10-19876	Truss strut w/half ring, single
43	10-19879	Truss brace, single
44	10-19333	5/16" cable damp
45	10-19880	Truss anchor half ring
46	10-19332	Truss attach angle

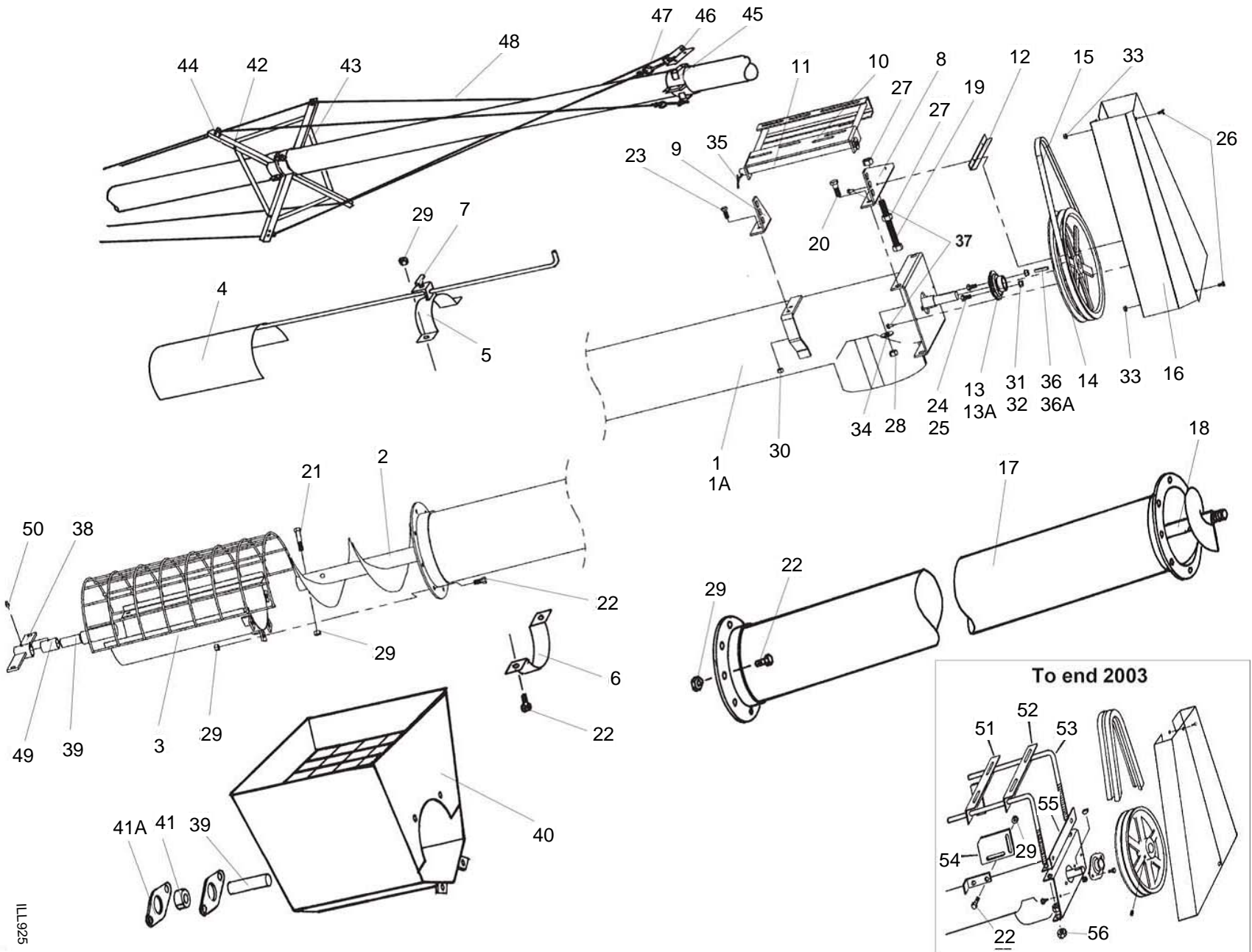
UT-6 UTILITY AUGER



UT-6 UTILITY AUGER

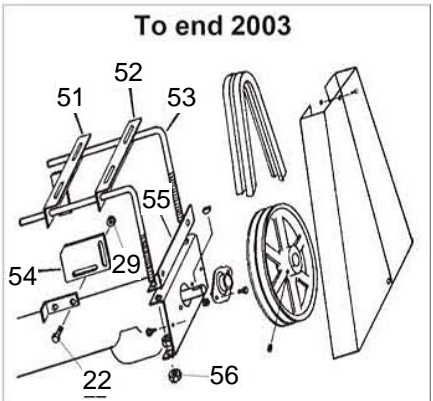
ITEM	PART NO.	DESCRIPTION
47	10-19331	Eye bolt, with nut
48	10-19883	5/16" truss cable, 30' long, single
48	10-19884	5/16" truss cable, 40' long, single
49	10-19149	Bushing 1"
50	10-19222	Grease fitting
51	10-19839	Back mount angle
52	10-19840	Front mount angle
53	10-19841	Mount adjust rod
54	10-19842	Adjust plate
55	10-18449	Pulley shield angle
56	10-19864	Hexnut, 5/8" - 11
57	10-19865	Utility auger carton, as packed

UT-7 UTILITY AUGER



9

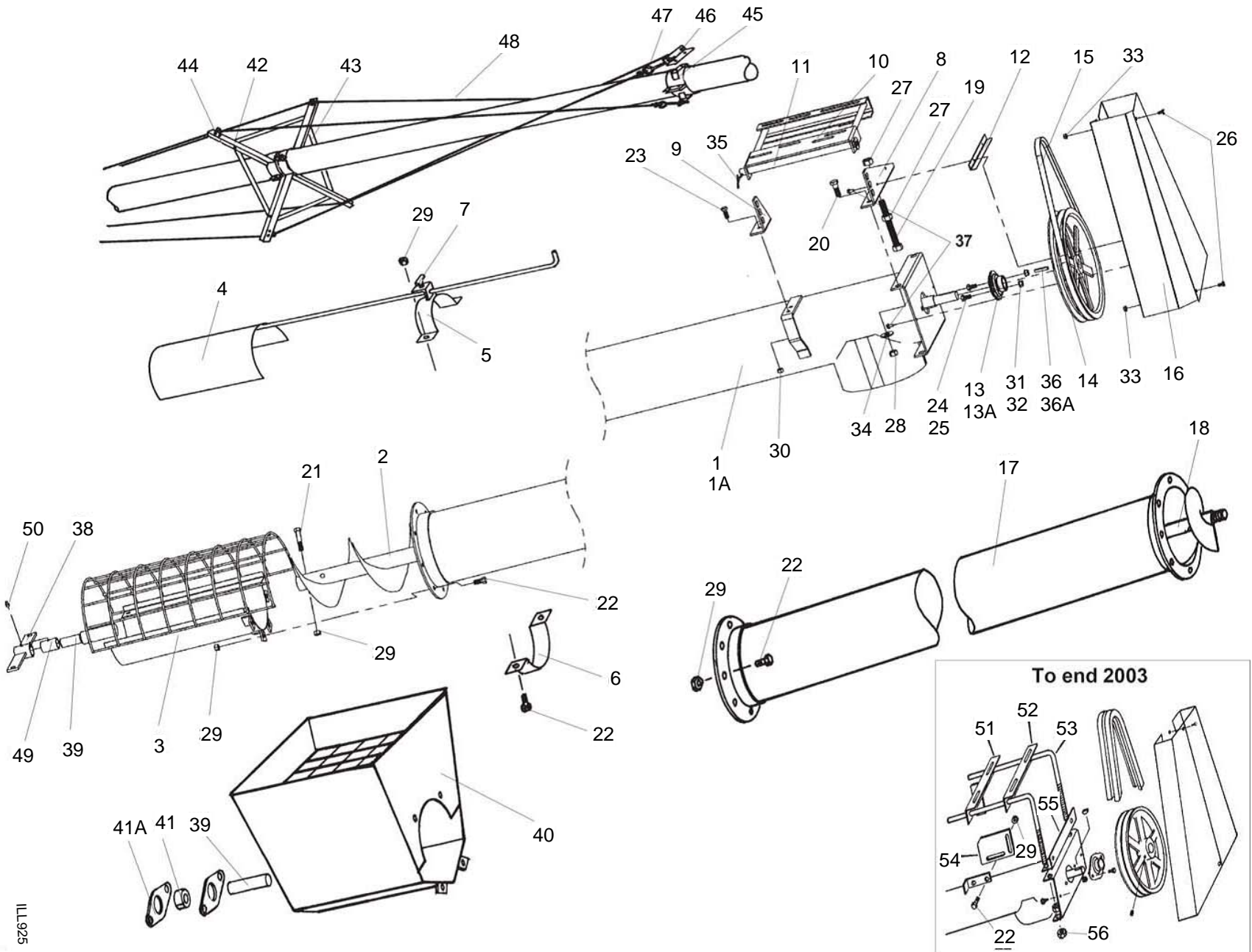
ILL925



UT-7 UTILITY AUGER

ITEM	PART NO.	DESCRIPTION
1	10-19821	Basic tube section w/end plate
1A	10-19824	Basic tube & flight bundle, as shipped
2	10-19827	Basic flight section
3	10-19830	Intake shield assembly
4	10-19833	Feed control
5	10-19836	Feed control clamp
6	10-19199	Tube halfband
7	10-19838	T-Bolt
8	10-27460	Front mount plate
9	10-27461	Rear mount plate
10	10-27462	Motor mount
11	10-27463	Hinge rod
12	10-27464	Shield strap
13A	10-18817	1" bearing, less flanges
13	10-19321	1" flangette bearing
14	10-19613	Double groove 13" pulley
15	10-19844	Belt, B48 on 6", B51 on 7" & 8"
16	10-19845	Pulley shield
17	10-19847	5' extension tube section
17	10-19850	10' extension tube section
17	10-19853	15' extension tube section
18	10-19856	5' extension flight section
18	10-19859	10' extension flight section
18	10-19862	15' extension flight section
19	10-27249	Adjust bolt, 5/8" x 6"
20	10-19589	Bolt, 1/2" - 13 x 1-1/2", grade 5
22	10-19542	Bolt, 7/16" - 14 x 1", grade 5
23	10-18955	Bolt, 3/8" - 16 x 1", grade 5
25	10-19538	Bolt, 5/16" - 18 x 3/4", grade 2
26	10-19537	Bolt, 1/4" - 20 x 1/2", grade 5
27	10-19864	Hexnut, 5/8" - 11
28	10-19599	Locknut, 1/2" - 13
29	10-19598	Locknut, 7/16" - 14
30	10-17402	Locknut, 3/8" - 16
32	10-19595	Washer-locknut, 5/16" - 18
33	10-19594	Washer-locknut, 1/4" - 20
34	10-17401	Flat washer, 1/2"
35	10-19271	Cotter pin, 1/8" x 1-1/2"
36A	10-19224	Woodruff key, 1/4" x 1"
37	10-19274	self-tapping screw, #14 x 5/8", w/washerhead
38	10-19869	Flight shaft support bushing
39	10-19871	Stub shaft
40	10-19874	Intake hopper
41	10-18690	Hopper bearing, hardwood, less flanges
41A	10-18694	1" Bearing flange, single, 2 bolt
42	10-19877	Truss strut w/half ring, single
43	10-19879	Truss brace, single
44	10-19333	5/16" cable damp
45	10-19881	Truss anchor half ring
46	10-19332	Truss attach angle

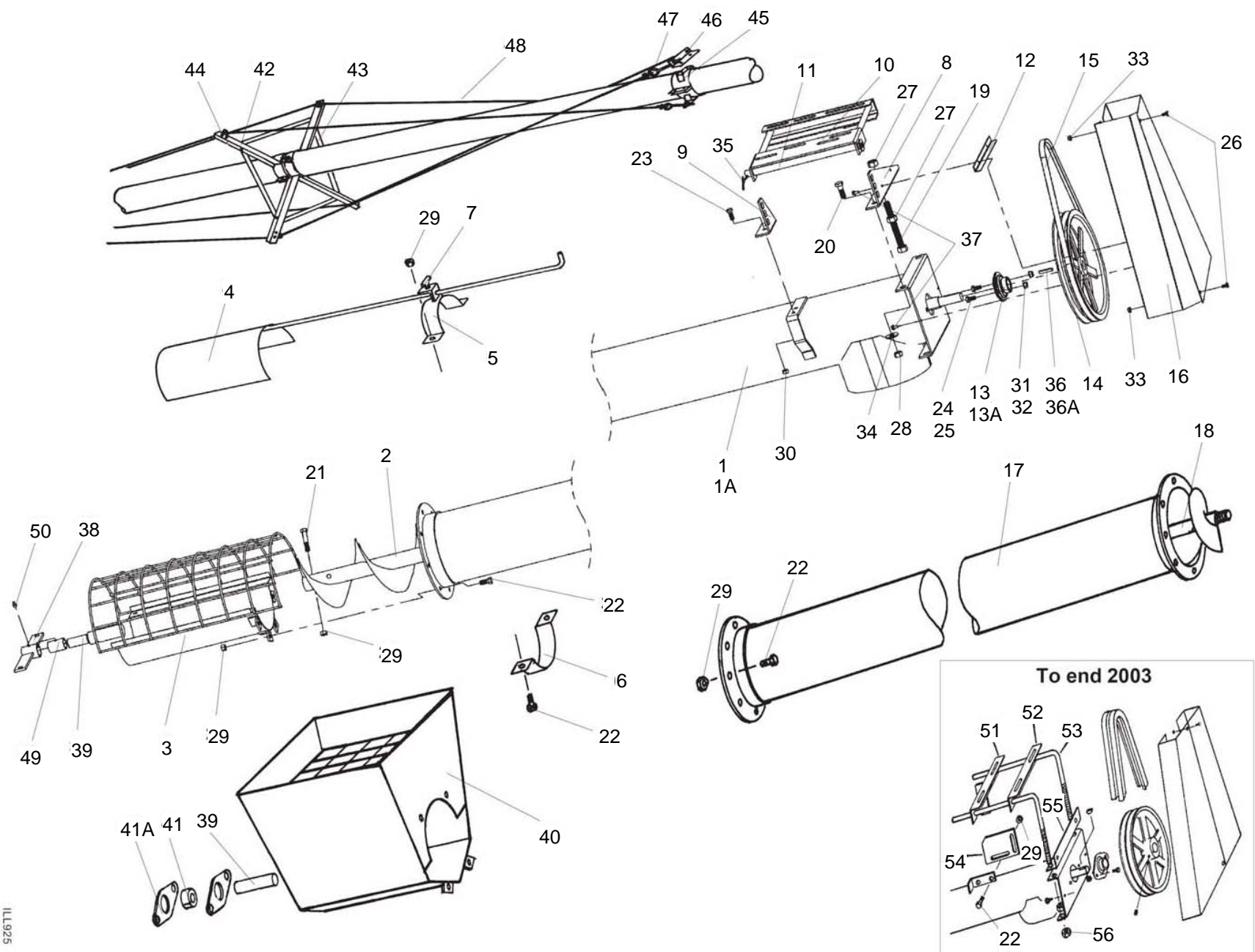
UT-7 UTILITY AUGER



UT-7 UTILITY AUGER

ITEM	PART NO.	DESCRIPTION
47	10-19331	Eye bolt, with nut
48	10-19883	5/16" truss cable, 30' long, single
48	10-19884	5/16" truss cable, 40' long, single
49	10-19149	Bushing 1"
50	10-19222	Grease fitting
51	10-19839	Back mount angle
52	10-19840	Front mount angle
53	10-19841	Mount adjust rod
54	10-19842	Adjust plate
55	10-18449	Pulley shield angle
56	10-19864	Hexnut, 5/8" - 11
57	10-19866	Utility auger carton, as packed

UT-8 UTILITY AUGER

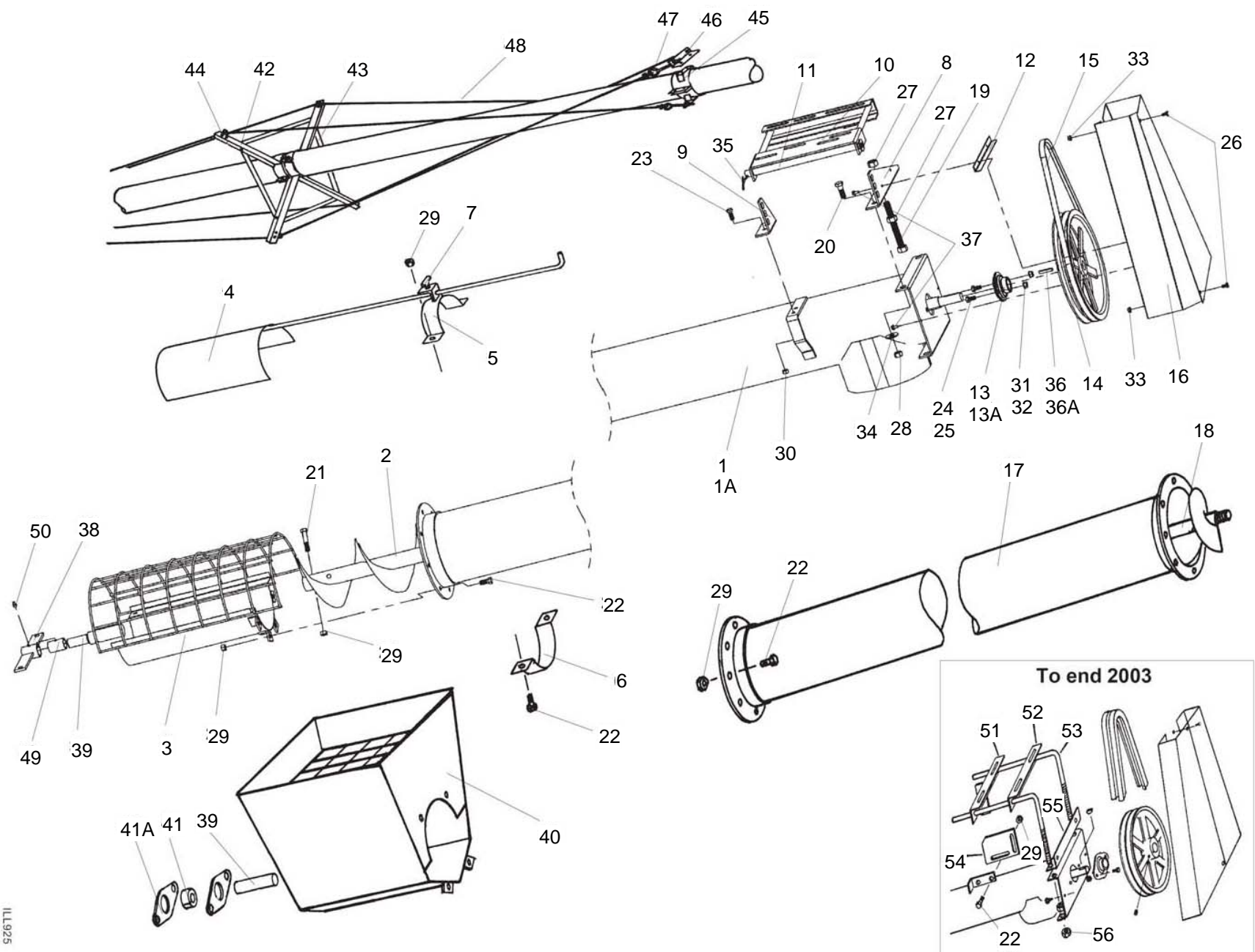


ILL925

UT-8 UTILITY AUGER

ITEM	PART NO.	DESCRIPTION
1	10-19822	Basic tube section w/end plate
1A	10-19825	Basic tube & flight bundle, as shipped
2	10-19828	Basic flight section
3	10-19831	Intake shield assembly
4	10-19834	Feed control
5	10-19837	Feed control clamp
6	10-19460	Tube halfband
7	10-19838	T-Bolt
8	10-27460	Front mount plate
9	10-27461	Rear mount plate
10	10-27462	Motor mount
11	10-27463	Hinge rod
12	10-27464	Shield strap
13A	10-18853	1-1/4" bearing, less flanges
13	10-19322	1-1/4" flangette bearing
14	10-19613	Double groove 13" pulley
15	10-19844	Belt, B48 on 6", B51 on 7" & 8"
16	10-19845	Pulley shield
17	10-19848	5' extension tube section
17	10-19851	10' extension tube section
17	10-19854	15' extension tube section
18	10-19857	5' extension flight section
18	10-19860	10' extension flight section
18	10-19863	15' extension flight section
19	10-27249	Adjust bolt, 5/8" x 6"
20	10-19589	Bolt, 1/2" - 13 x 1-1/2", grade 5
21	10-19545	Bolt, 7/16" - 14 x 2-1/4", grade 8
22	10-19542	Bolt, 7/16" - 14 x 1", grade 5
23	10-18955	Bolt, 3/8" - 16 x 1", grade 5
24	10-19540	Bolt, 3/8" - 16 x 3/4", grade 2
26	10-19537	Bolt, 1/4" - 20 x 1/2", grade 5
27	10-19864	Hexnut, 5/8" - 11
28	10-19599	Locknut, 1/2" - 13
29	10-19598	Locknut, 7/16" - 14
30	10-17402	Locknut, 3/8" - 16
31	10-19596	Washer-locknut, 3/8" - 16
33	10-19594	Washer-locknut, 1/4" - 20
34	10-17401	Flat washer, 1/2"
35	10-19271	Cotter pin, 1/8" x 1-1/2"
36	10-19606	SQ key, 1/4" x 1-1/2"
37	10-19274	self-tapping screw, #14 x 5/8", w/washerhead
38	10-19870	Flight shaft support bushing
39	10-19872	Stub shaft
40	10-19875	Intake hopper
41	10-18690	Hopper bearing, hardwood, less flanges
41A	10-18694	1" Bearing flange, single, 2 bolt
42	10-19878	Truss strut w/half ring, single
43	10-19879	Truss brace, single
44	10-19333	5/16" cable damp
45	10-19882	Truss anchor half ring

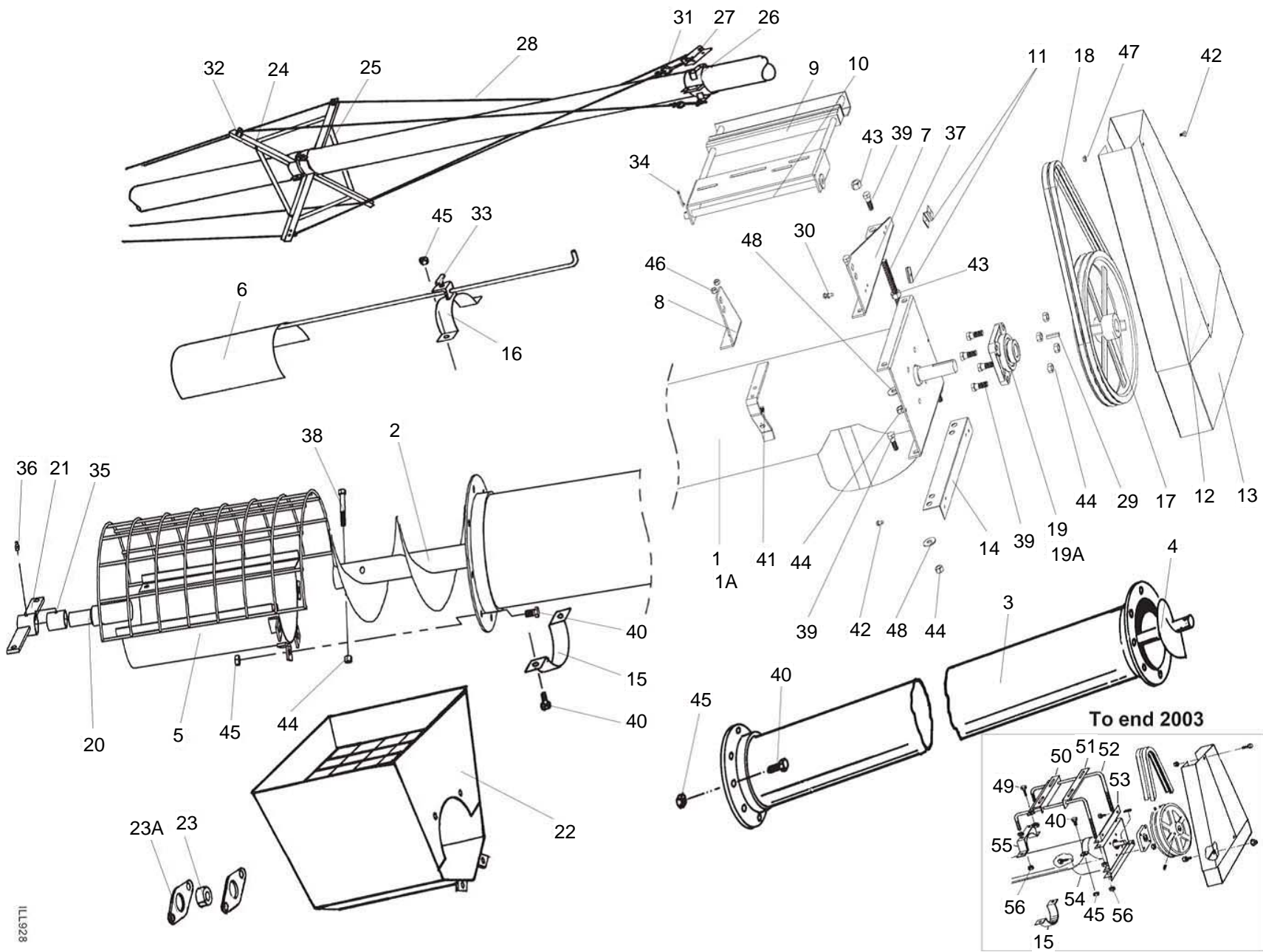
UT-8 UTILITY AUGER



ILL925

UT-8 UTILITY AUGER

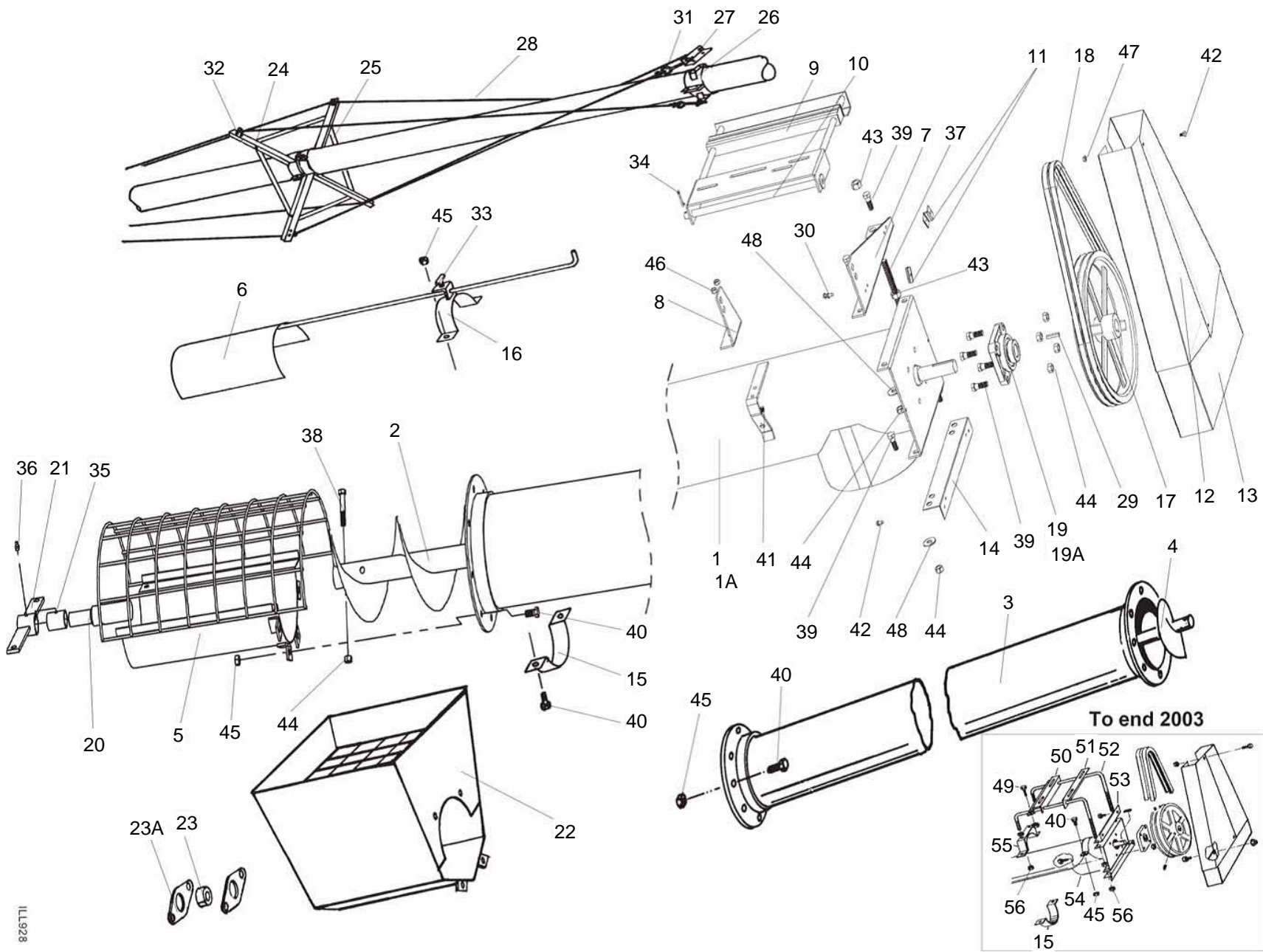
ITEM	PART NO.	DESCRIPTION
46	10-19332	Truss attach angle
47	10-19331	Eye bolt, with nut
48	10-19883	5/16" truss cable, 30' long, single
48	10-19884	5/16" truss cable, 40' long, single
49	10-19149	Bushing 1"
50	10-19222	Grease fitting
51	10-19839	Back mount angle
52	10-19840	Front mount angle
53	10-19841	Mount adjust rod
54	10-19842	Adjust plate
55	10-18449	Pulley shield angle
56	10-19864	Hexnut, 5/8" - 11
57	10-19867	Utility auger carton, as packed



UT-10 UTILITY AUGER

ITEM	PART NO.	DESCRIPTION
1	10-18235	Basic tube section
1A	10-18355	Basic tube & flight bundle, as shipped
2	10-18236	Basic flight section
3	10-18254	5' Extension tube
3	10-18256	10' Extension tube
3	10-18258	15' Extension tube
4	10-18255	5' Extension flight
4	10-18257	10' Extension flight
4	10-18259	15' Extension flight
5	10-18237	Intake shield assembly
6	10-18238	Feed control
7	10-27465	Front mount plate
8	10-27466	Rear mount plate
9	10-27467	Motor mount
10	10-27468	Hinge rod
11	10-27469	Shield spacer
12	10-19845	Pulley shield
13	10-19930	Pulley shield extension
14	10-18245	Shield mount, lower
15	10-19801	Tube half band
16	10-18246	Feed control clamp
17	10-19950	Double groove 15" pulley 1-1/4" bore
18	10-19934	Belt, B-62
19A	10-18852	1-1/4" Bearing less flange
19	10-19567	1-1/4" Bearing, 4 bolt
20	10-18247	Stub shaft
21	10-18248	Flight support w/bushing, grease fitting
22	10-18249	Hopper
23	10-18691	Hopper bearing, hardwood, less flanges
23A	10-18695	1-1/4" bearing flange, single, 2 bolt
24	10-18250	Truss strut w/half ring, single
25	10-18251	Truss brace, single
26	10-18252	Truss anchor half band
27	10-19332	Truss attach angle
28	10-19883	5/16" Truss cable, 30' long, single
28	10-19884	5/16" Truss cable, 40' long, single
29	10-17854	Square key, 1/4" x 2-1/2"
30	10-19274	self-tapping screw #14 x 5/8", w/washer head
31	10-19331	Eyebolt & nut
32	10-19333	5/16" Cable clamp
33	10-19838	T-Bolt
34	10-19271	Cotter pin, 1/8" x 1-1/2"
35	10-19776	Bushing, 1-1/4"
36	10-19222	Press in grease fitting
37	10-27249	Adjust bolt, 5/8" x 61
38	10-19798	Bolt, 1/2" - 13 x 2-3/4", grade 8
39	10-19589	Bolt, 1/2" - 13 x 1-1/2", grade 5
40	10-19542	Bolt, 7/16" - 14 x 1", grade 5
41	10-18955	Bolt, 3/8" - 16 x 1", grade 5
42	10-19537	Bolt, 1/4" - 20 x 1/2", grade 5

UT-10 UTILITY AUGER



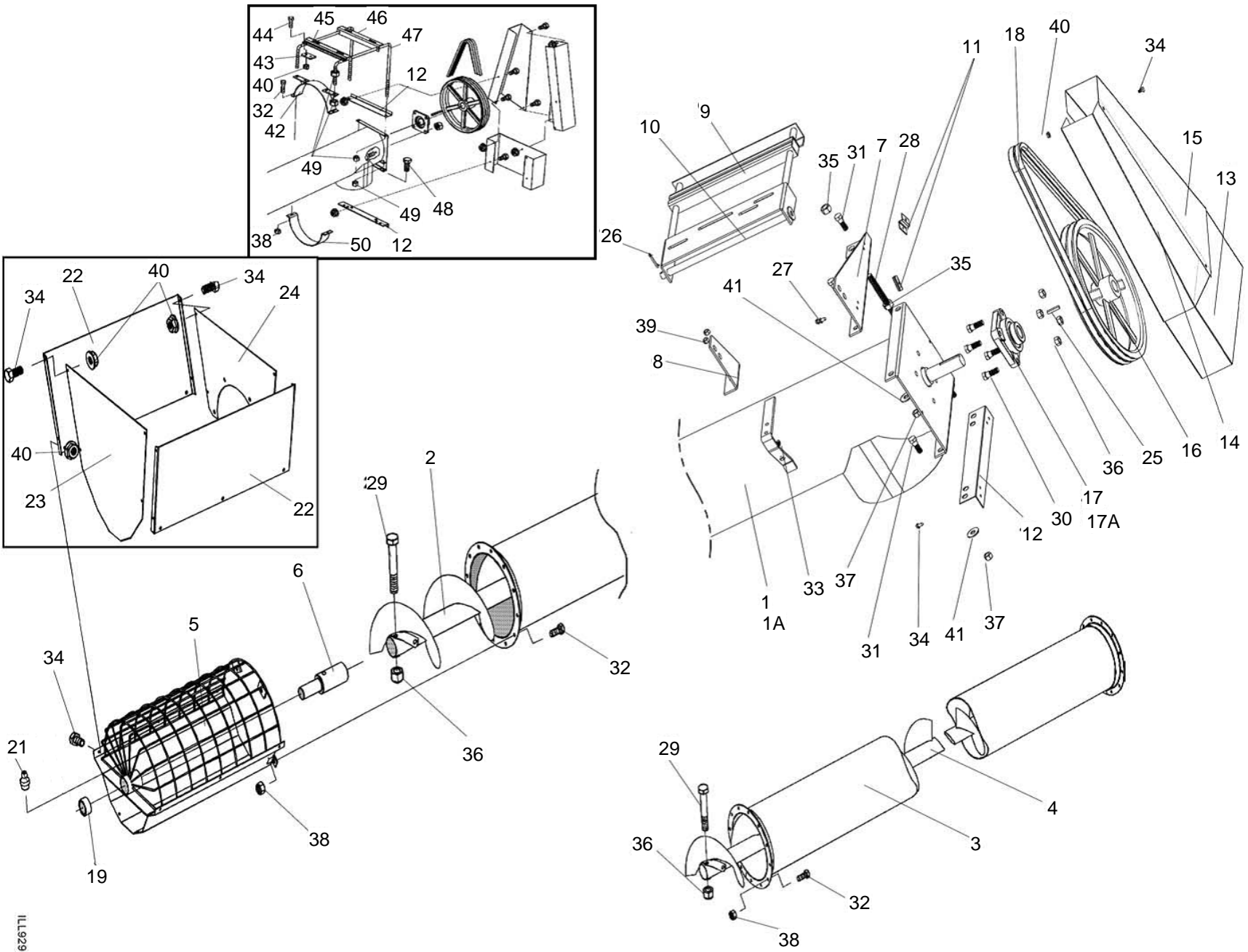
16

ILL928

UT-10 UTILITY AUGER

ITEM	PART NO.	DESCRIPTION
43	10-19864	Hexnut, 5/8" - 11
44	10-19599	Locknut, 1/2" - 13
45	10-19598	Locknut, 7/16" - 14
46	10-17402	Locknut, 3/8" - 16
47	10-19594	Washer-locknut, 1/4" - 20
48	10-17401	Flat washer, 1/2"
49	10-19951	Bolt, 1/4" - 20 x 1-1/4", grade5
50	10-18242	Mounting angle, rear
51	10-18243	Mounting angle, front
52	10-18239	Motor mount rod
53	10-18244	Shield mount, upper
54	10-18253	Strap on spout
55	10-18240	Mount Clamp
56	10-19864	Hexnut, 5/8" - 11
57	10-18356	UT-10 Utility auger carton, as packed

UT-13 UTILITY AUGER

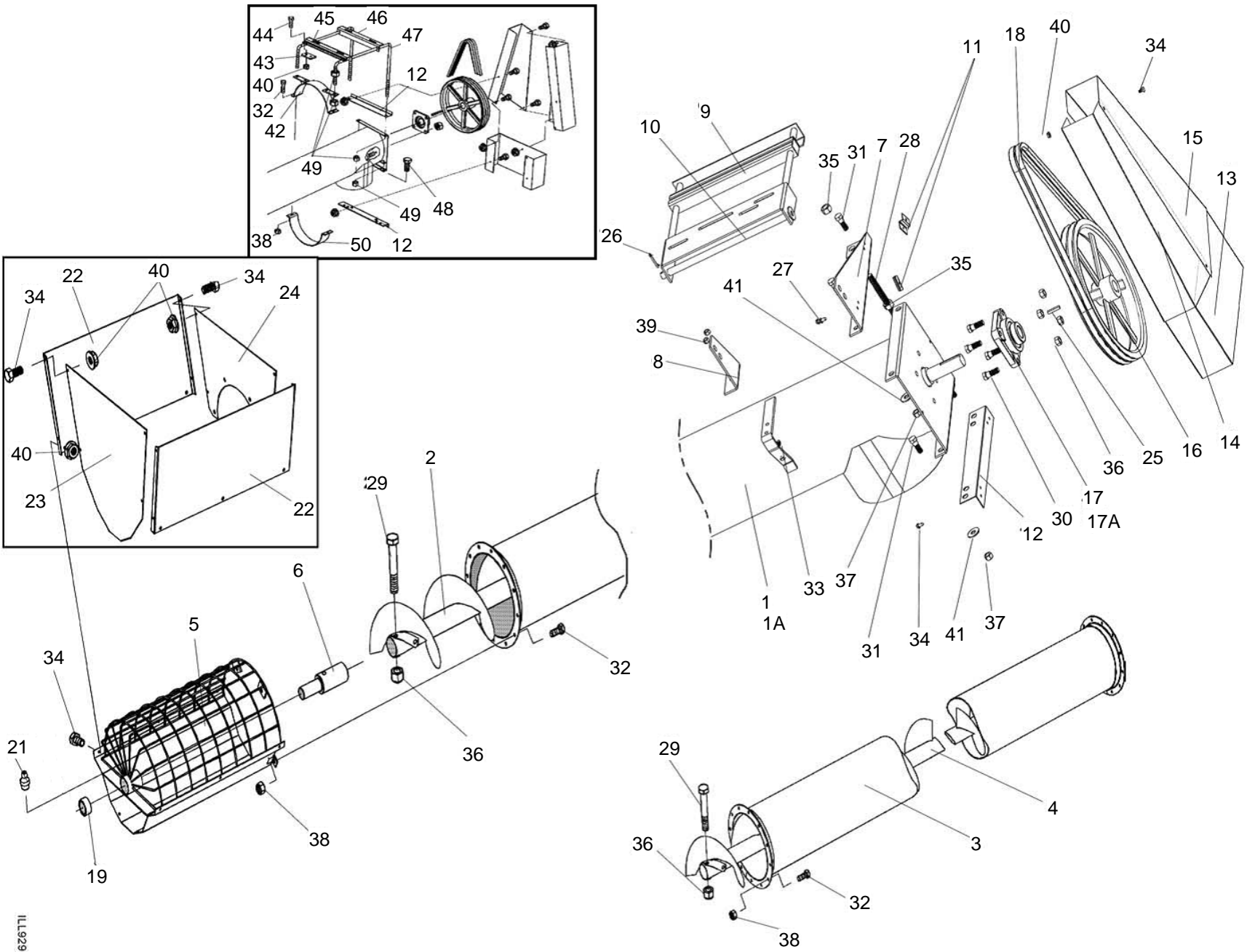


ILL929

UT-13 UTILITY AUGER

ITEM	PART NO.	DESCRIPTION
1A	10-17395	Basic tube & flight bdl, as shipped, incl ref. 5 & 6
1	10-17493	Basic tube section
2	10-17494	Basic flight section
3	10-17499	5' Extension tube
3	10-17500	10' Extension tube
3	10-17501	20' Extension tube
4	10-17491	5' Extension flight
4	10-17492	10' Extension flight
4	10-18984	20' Extension flight
5	10-17495	Intake shield weldment
6	10-17484	Stub shaft
7	10-27465	Front mount plate
8	10-27466	Rear mount plate
9	10-27467	Motor mount
10	10-27468	Hinge rod
11	10-27469	Shield spacer
12	10-18245	Shield mount angle
13	10-17487	Pulley shield extension
14	10-17485	Pulley shield, RH
15	10-17486	Pulley shield, LH
16	10-17396	Pulley, 16" triple groove, 1-3/4" bore
17A	10-17527	Bearing less flange, 1-3/4"
17	10-18518	Bearing, c/w 4 bolt flange, 1-3/4"
18	10-19935	Belt, B67
19	10-21095	1-3/4" X 2-1/4" X 2" Long Bushing
21	10-19222	Press in grease fitting
22	10-17488	Side panel
23	10-17489	End panel, rear
24	10-17490	End panel, front
25	10-18541	Square key, 3/8" x 3-1/2" long
26	10-19271	Cotter pin, 1/8" x 1-1/2"
27	10-19274	self-tapping screw, #14 x 5/8", w/washer head
28	10-27249	Adjust bolt, 5/8" x 6"
29	10-18545	Bolt, 5/8" - 11 x 4-1/2", grade 5
30	10-19977	Bolt, 5/8" - 11 x 1-3/4", grade 5
31	10-19589	Bolt, 1/2" - 13 x 1-1/2", grade 5
32	10-18698	Bolt, 7/16" - 14 x 1-1/4", grade 8
33	10-18955	Bolt, 3/8" - 16 x 1", grade 5
34	10-19537	Bolt, 1/4" - 20 x 1/2", grade 2
35	10-19864	Hexnut, 5/8" - 11
36	10-19600	Locknut, 5/8" - 11
37	10-19599	Locknut, 1/2" - 13
38	10-19598	Locknut, 7/16" - 14
39	10-17402	Locknut, 3/8" - 16
40	10-19594	Washer-locknut, 1/4" - 20
41	10-17401	Flat washer, 1/2"
42	10-17496	Mount clamp
43	10-18241	Mounting plate
44	10-19951	Bolt, 1/4" - 20 x 1-1/4"
45	10-17528	Mounting angle, rear

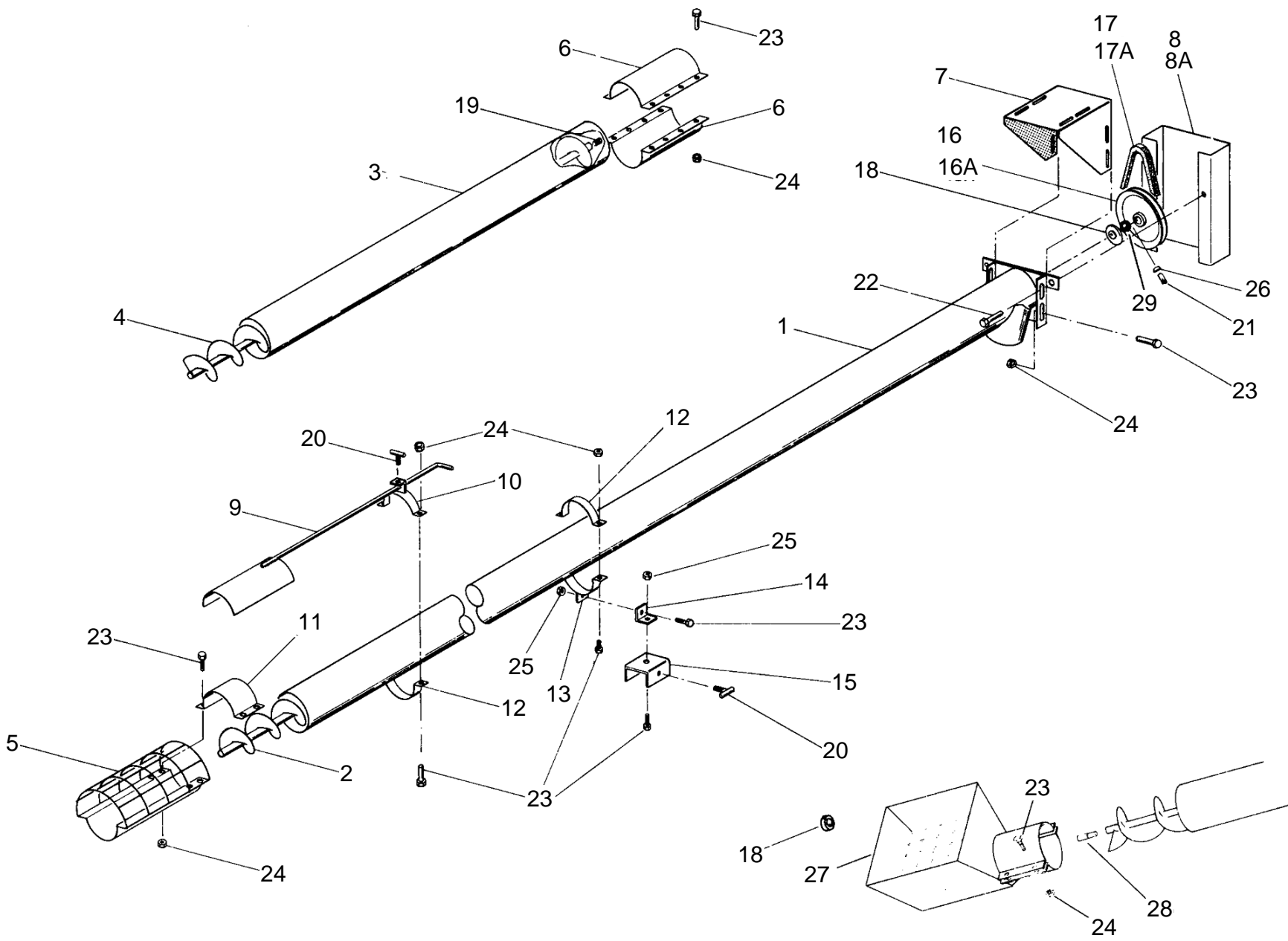
UT-13 UTILITY AUGER



UT-13 UTILITY AUGER

ITEM	PART NO.	DESCRIPTION
46	10-17529	Mounting angle, front
47	10-18239	Motor mount rod
48	10-19590	Bolt, 5/8" - 11 x 1-1/2"
49	10-19864	Hexnut, 5/8" - 11
50	10-18987	Tube half band
51	10-17538	UT-1321 basic carton

UT-4 UTILITY AUGER



UT-4 UTILITY AUGER

ITEM	PART NO.	DESCRIPTION
1	10-18213	Basic tube section
1A	10-18353	Basic tube & flight bundle, as shipped
2	10-18214	Basic flight section
3	10-18215	5' Extension tube
3	10-18216	10' Extension tube
4	10-18217	5' Extension flight
4	10-18218	10' Extension flight
5	10-18219	Intake shield assembly
6	10-18220	Tube connector band
7	10-18221	Motor mount
8A	10-17073	Shield for 8" pulley*
8	10-18222	Shield for 6" pulley*
9	10-18223	Feed control
10	10-18224	Feed control clamp
11	10-18226	Intake clamp
12	10-18225	Tube half band
13	10-18227	Swivel clamp
14	10-18228	Swivel bracket
15	10-18229	Box clamp
16A	10-17075	Single groove 8" pulley *
16	10-18230	Single groove 6" pulley *
17A	10-17074	Belt, A33, use with 8" pulley*
17	10-18231	Belt, A29, use with 6" pulley*
18	10-18232	7/8" Bearing, Hardwood
19	10-18233	Flight connector
20	10-19838	T-Bolt
21	10-19225	Set screw, 3/8" - 16 x 3/8"
22	10-19274	Self-tapping screw, #14 x 5/8"
23	10-19538	Bolt, 5/16" - 18 x 3/4", grade 2
24	10-19595	Washer locknut, 5/16" - 18
25	10-19980	Locknut, 5/16" - 18
26	10-19224	Woodruff key, 1/4" x 1"
27	10-17121	Hopper with bearing & stub shaft
28	10-17122	Stub
29	10-17314	Rim washer, 7/8" (Not shown)
30	10-18354	Utility auger carton, as packed

WESTFIELD

Westfield Industries is a Division of Ag Growth Industries Partnership
Part of the Ag Growth International Inc. Group

P.O. Box 39

Rosenort, Manitoba, Canada R0G 1W0

Phone: (866) 467-7207 (Canada & USA)

Fax: (866) 768-4852

website: www.grainaugers.com

email: sales@grainaugers.com

© Ag Growth International 2014



Printed in Canada