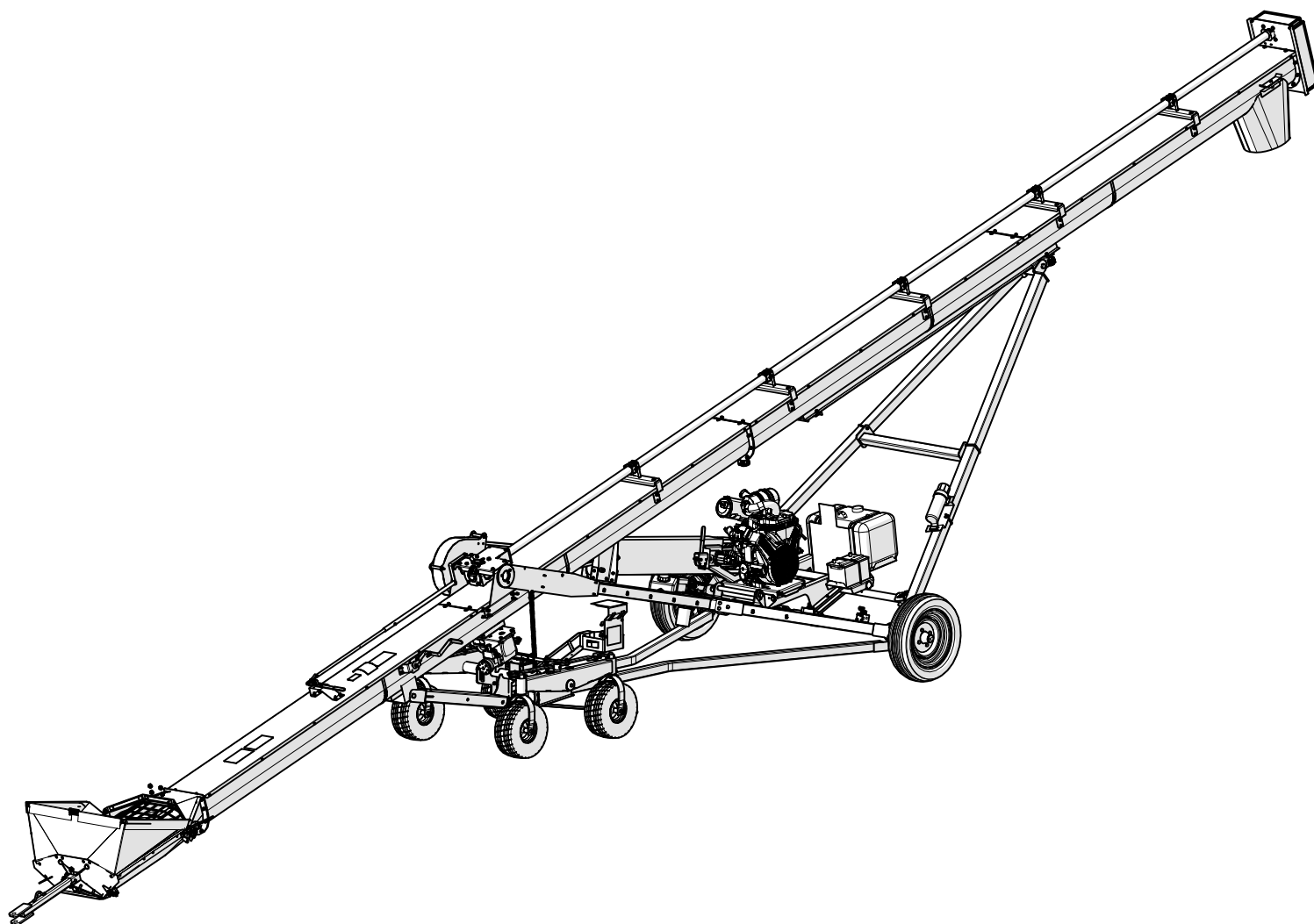


AGI **WESTFIELD**

UTX U-Trough Auger

Parts Manual

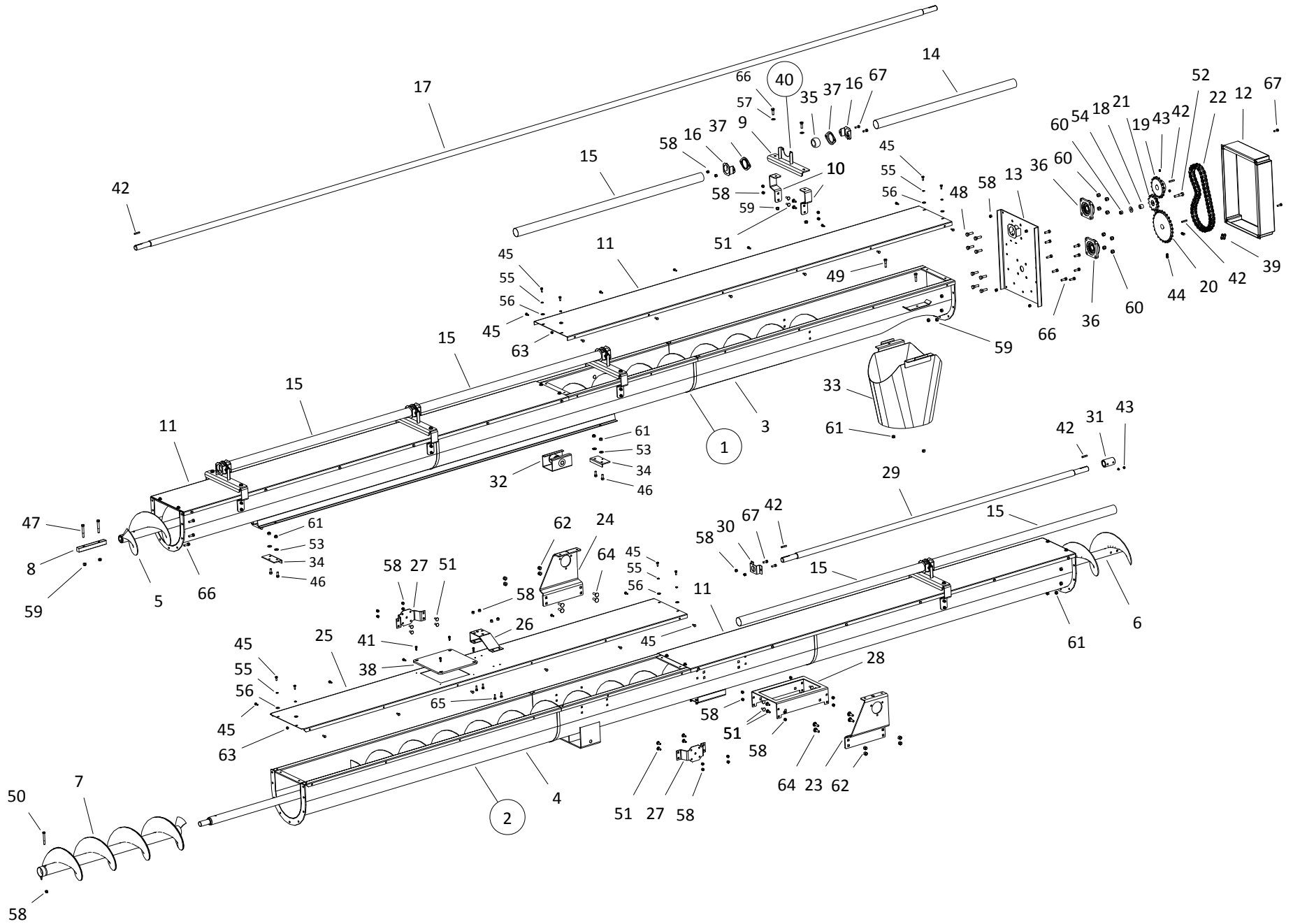


Revised: 18/Feb/2020

TABLE OF CONTENTS

DESCRIPTION	PAGE
U-TROUGH COMPONENTS, 44 ft	4
FRAME COMPONENTS, 44 ft	8
UTX HOPPER	10
DRIVE COMPONENTS UTX (2020)	12
DRIVE COMPONENTS (PRIOR TO 2020)	16
GAS TANK KIT (A415)	20
HD SP KIT FRAME COMPONENTS	22
HD HYDRAULIC STEERING OPTION KIT (A332)	24
SP KIT PARTS	26
HYDRAULIC HOSES, 44 ft (HD SP KIT - HYDRAULIC)	30
REVERSIBLE GEARBOX	32
ELECTRIC CLUTCH KIT, TRIPLE (A414)	34
LIGHT KIT, 44 ft (A318)	36
VANGUARD COLD WEATHER KIT (23746)	38
REVERSIBLE GEARBOX (29322)	40
HYDRAULIC WINCH (23515)	42
VALVE (22441)	44
SP KIT GEAR DRIVE COMPONENTS	46

U-TROUGH COMPONENTS, 44 ft

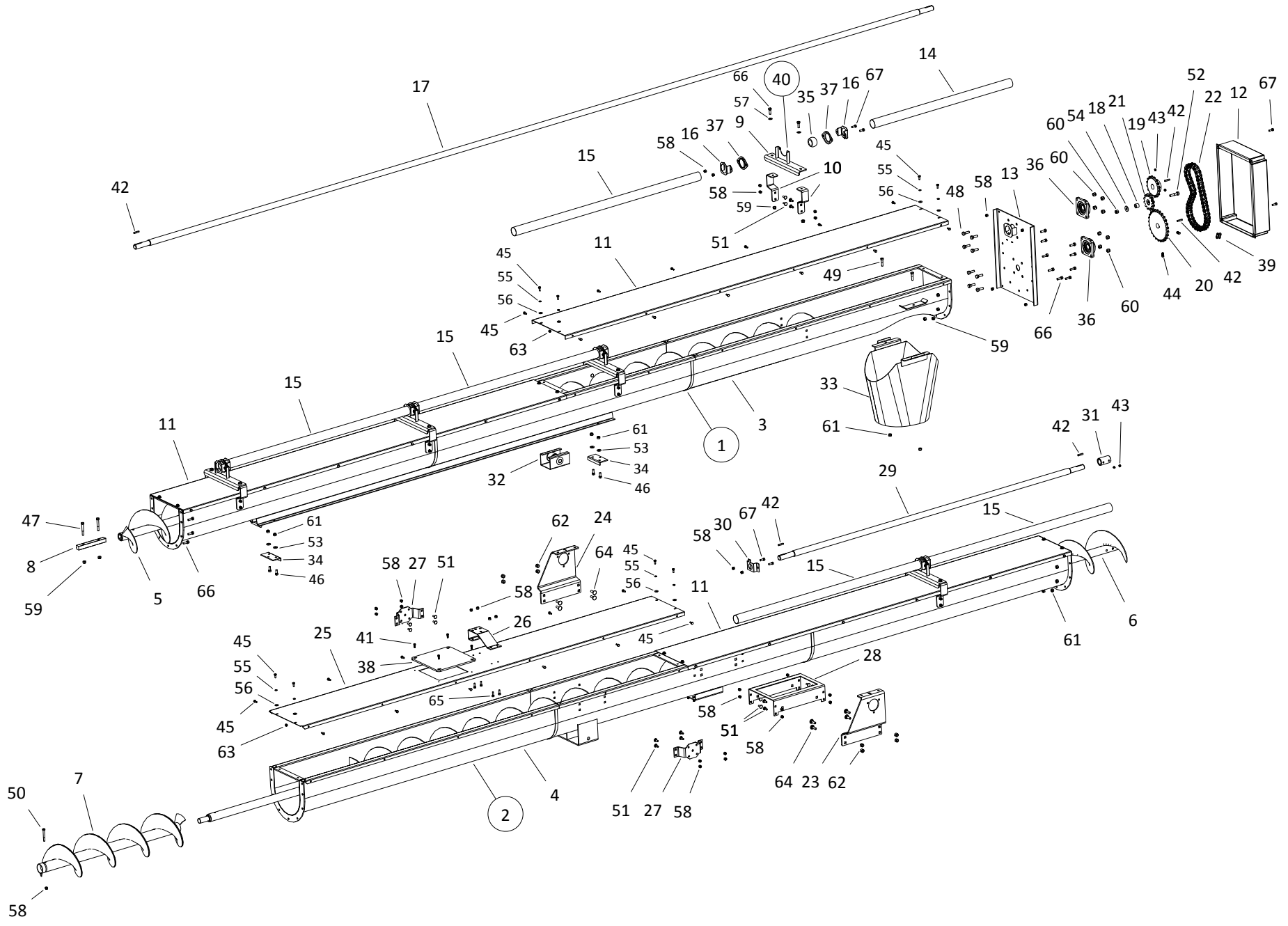


U-TROUGH COMPONENTS, 44 ft

ITEM	PART NO.	DESCRIPTION
1	10-24276	ASSY, UPPER TROUGH BUNDLE
2	10-24281	ASSY, LOWER TROUGH BUNDLE
3	10-24277	UPPER TROUGH ONLY
4	10-24280	LOWER TROUGH ONLY
5	10-24285	U-TROUGH UPPER FLIGHT
6	10-24287	U-TROUGH LOWER FLIGHT
7	10-24288	U-TROUGH HOPPER FLIGHT
8	10-21690	FLIGHT CONNECTING SHAFT
9	10-24269	BRKT, U-TROUGH DRIVELINE BRKT
10	10-24271	BRKT, DRIVE SHAFT MNT, YELLOW
11	10-24272	BRKT, U-TROUGH AUGER LID, RED
12	10-24282	U-TROUGH CHAIN DRIVE COVER
13	10-24283	U-TROUGH CHAIN DRIVE MNT
14	10-24284	TUBE, UPPER DS GUARD, 43", YELLOW
15	10-23614	UPPER DS GUARD, 57-3/4"
16	10-23250	FLANGE BEARING HANGER BRACKET
17	10-24293	UPPER TROUGH DRIVESHAFT
18	10-24382	IDLER SPROCKET SPACER, UTX
19	10-22177	80B16 X 1-1/4 SPROCKET
20	10-24391	80B25 X 1-1/4 SPROCKET
21	10-28639	80B12 X 1/2 IDLER SPROCKET
22	10-24424	CHAIN #80 X 41P W/ CONN LINK (HEAVY)
23	10-24258	BRKT, GEARBOX LID MOUNT, RH
24	10-24259	BRKT, GEARBOX LID MOUNT, LH
25	10-24273	BRKT, U-TROUGH AUGER LWR LID, RED
26	10-24274	BRKT, GEARBOX REVERSE MNT
27	10-24275	BRKT, CANVAS BRKT PIVOT MNT
28	10-24286	BRKT, PIVOT REINFORCEMENT MNT
29	10-24294	LOWER TROUGH DRIVESHAFT
30	10-23268	DS GUARD HANGER BRKT, LWR
31	10-19770	DRIVESHAFT CONNECTOR, 1-1/4"
32	10-18763	TRACK SHOE
33	10-24394	SPOUT, UTX
34	10-18762	TRACK STOP
35	10-17124	BEARING, 1-1/2" WOOD
36	10-19567	BEARING, 1-1/4" PILLOW
37	10-18695	1-1/4" FLANGE, 2-HOLE
38	10-20644	PLEXIGLASS SIDE PLATE 3/8"
39	10-19323	#80 CONNECTOR LINK (HEAVY)
40	200525YL	ASSY, U-TROUGH DRIVELINE BRKT
41	10-20595	#14 X 1" TEK SCREW
42	10-19606	KEY, 1/4" X 1-1/2" SQ
43	10-19225	SETSCREW, 3/8" UNC X 3/8" REGULAR
44	10-29118	SETSCREW, 3/8" X 3/4" GR8 SQ HEAD
45	10-19538	5/16" X 3/4" NC BOLT GR 2 PLTD
46	10-19542	7/16" X 1" NC BOLT GR 5 PLTD
47	10-19546	7/16" X 3" NC BOLT GR 5 PLTD
48	10-19589	1/2" X 1-1/2" NC BOLT GR 8 PLTD
49	10-19981	7/16" X 1-3/4" NC BOLT GR 8 PLTD
50	10-27981	3/8" X 3" NC BOLT GR 5 PLTD

U-TROUGH COMPONENTS, 44 ft

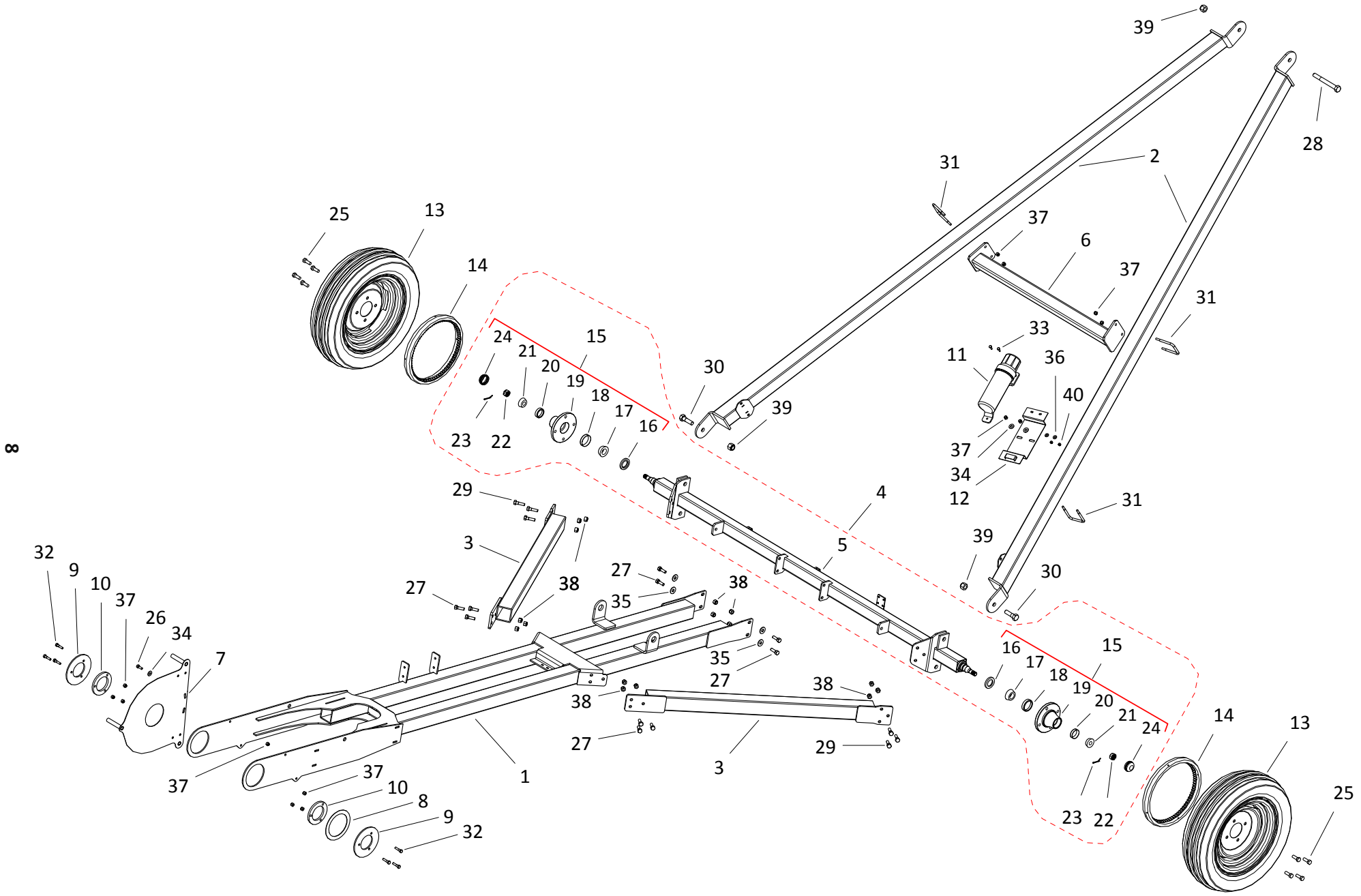
6



U-TROUGH COMPONENTS, 44 ft

ITEM	PART NO.	DESCRIPTION
51	10-27986	3/8" X 1" NC CARRIAGE BOLT GR 5 PLT
52	9900560	1/2" X 2-1/4" NC BOLT GR 5 PLTD
53	10-17182	7/16 TRACK WASHER
54	10-17401	1/2" FLAT WASHER PLTD
55	10-19603	5/16" LOCK WASHER PLTD
56	10-27336	5/16" FLAT WASHER PLTD
57	10-28485	7/16" SAE WASHER PLTD
58	10-17402	3/8" NC NYLON LOCKNUT PLTD
59	10-17593	7/16" NC NYLON LOCKNUT GR 5 YLW PLT
60	10-17750	1/2" NC NYLON LOCKNUT GR 5 YLW PLTD
61	10-19598	7/16" NC NYLON LOCKNUT GR 2 PLTD
62	10-19599	1/2" NC NYLON LOCKNUT GR 2 PLTD
63	10-19980	5/16" NC NYLON LOCKNUT PLTD
64	10-17807	1/2"X1-1/2"CARRIAGE BOLT GR 2 PLTD
65	10-18091	5/16" X 1" NC BOLT GR 2 PLTD
66	10-18698	7/16" X 1-1/4" NC BOLT GR 8 PLTD
67	10-18955	3/8" X 1" NC BOLT GR 5 PLTD

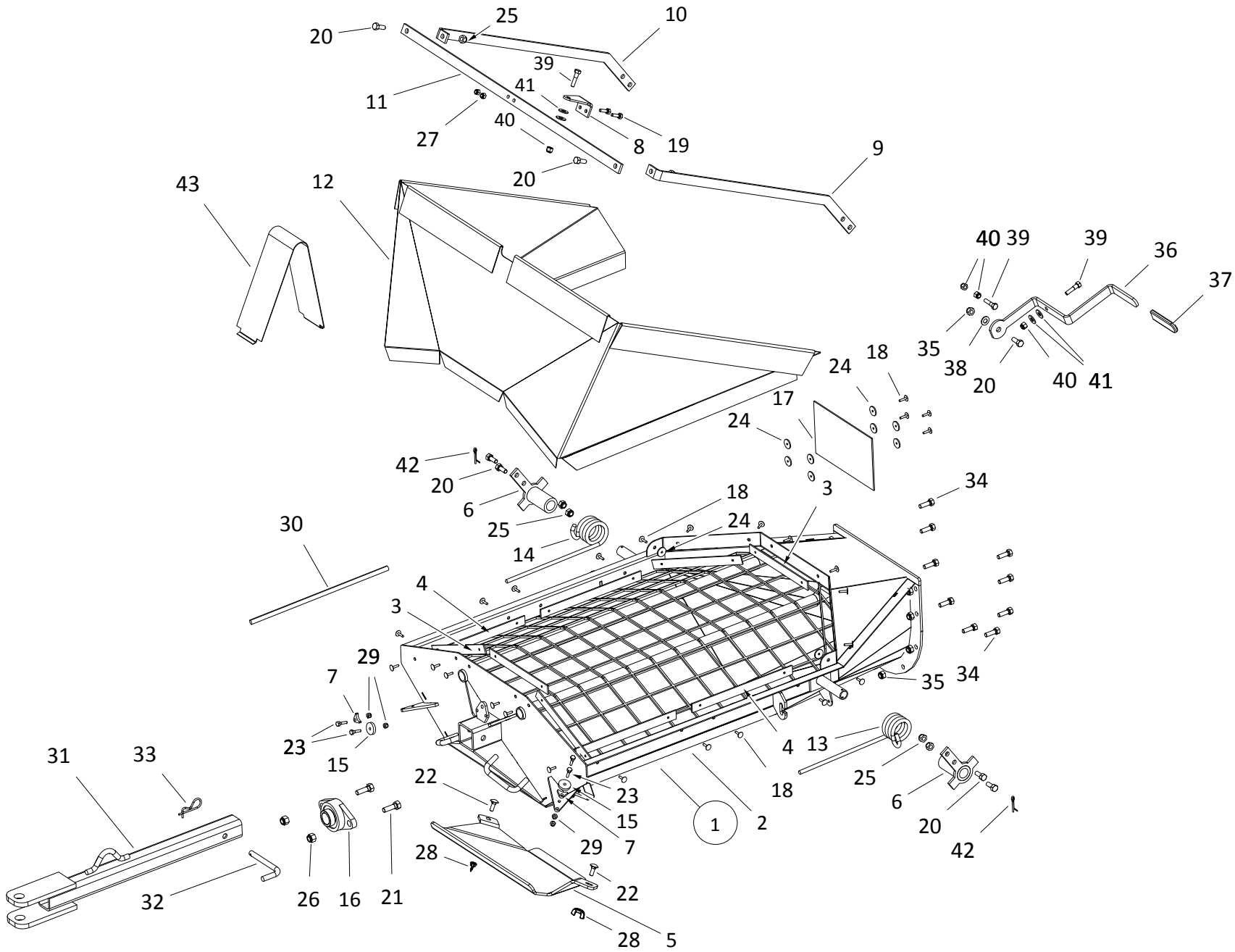
FRAME COMPONENTS, 44 ft



FRAME COMPONENTS, 44 ft

ITEM	PART NO.	DESCRIPTION
1	10-24260	LWR FRAME, U-TROUGH
2	10-24291	U-TROUGH UPPER REACH ARM
3	10-24001	FRAME, LWR SUPPORT
4	10-24058	ASSY, AXLE
5	10-24002	FRAME, AXLE
6	10-24413	LIFT ARM X-SUPRT
7	200539RD	ASSY, STX2 CLOSED GUARD PULLEY SHIM
8	10-24014	SPACER, LWR FRAME
9	10-24015	FRAME, LWR ARM BOLT PLATE,LARGE
10	10-24016	FRAME, LWR ARM BOLT PLATE,SMALL
11	10-29755	WATERPROOF PLASTIC MANUAL HOLDER
12	10-29798	MANUAL HOLDER MOUNT, WESTFIELD
13	10-22289	15X4.5X4 BOLT WHEEL W/RING GEAR
14	10-28175	RING GEAR WITH 4 SET SCREWS
15	10-19467	REG HUB ASSEMBLY
16	10-19264	HUB SEAL
17	10-19265	CONE BEARING
18	10-19266	CUP
19	10-19267	REG HUB
20	10-19268	CUP
21	10-19269	BEARING CONE
22	10-19270	3/4" NF SLOTTED NUT PLAIN
23	10-19271	COTTER PIN 1/8 X 1-1/2 C.ZINC PLTD
24	10-19272	REGULAR DUST CAP
25	10-20565	1/2" X 1" WHEEL BOLT (BLACK)
26	10-18955	3/8" X 1" NC BOLT GR 5 PLTD
27	10-19589	1/2" X 1-1/2" NC BOLT GR 8 PLTD
28	10-19593	3/4" X 6-1/2" NC BOLT GR 8 PLTD
29	10-19974	1/2" X 1-3/4" NC BOLT GR 8 PLTD
30	10-20774	3/4" X 2-1/2" BOLT GR8 PLTD
31	10-28833	UBOLTSQ3/8NCX3-1/16X4X1THD PLTD
32	9900694	3/8" X 1-1/2" UNC HEX BOLT GR5 PLT
33	9900800	1/4" X 3/4" NC BOLT GR 5 PLTD
34	10-17392	3/8" FLAT WASHER PLTD
35	10-17401	1/2" FLAT WASHER PLTD
36	9900683	1/4" FLAT WASHER PLTD
37	10-17402	3/8" NC NYLON LOCKNUT PLTD
38	10-19599	1/2" NC NYLON LOCKNUT GR 2 PLTD
39	10-19601	3/4" NC NYLON LOCKNUT PLTD
40	10-28449	1/4" NC NYLON LOCKNUT PLTD

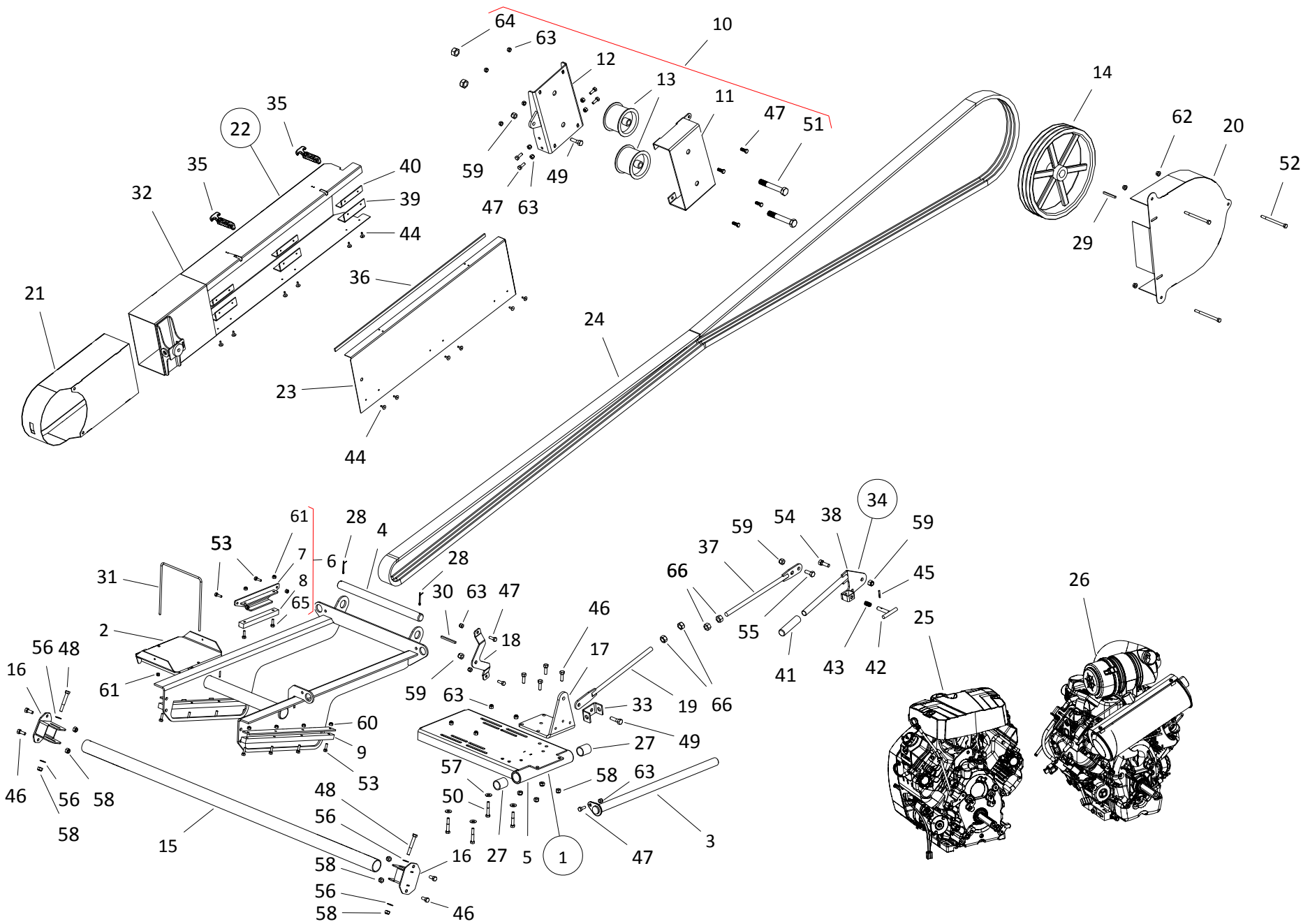
UTX HOPPER



UTX HOPPER

ITEM	PART NO.	DESCRIPTION
1	10-24237	HOPPER ASSY, U-TROUGH AUGER
2	10-24238	HOPPER ONLY, U-TROUGH AUGER
3	10-22050	10 BELTING ATTACH STRAP
4	10-22051	12-1/2 BELTING ATTACH STRAP
5	10-24252	PLT, CLEANOUT COVER
6	10-24253	SPRING PIVOT
7	10-24262	PLT, CABLE RETAINER
8	10-24263	BRKT, HOPPER CABLE ATTACH
9	10-24264	PLT, HOPPER CANVAS SUPPORT, RH
10	10-24265	PLT, HOPPER CANVAS SUPPORT, LH
11	10-24266	PLT, HOPPER CANVAS SUPPORT, CENTER
12	10-24267	HOPPER CANVAS
13	10-27237	HOPPER SPRING, LEFT
14	10-27238	HOPPER SPRING, RIGHT
15	10-24261	PULLEY, 1/8 GROOVEX1-1/4"ODX1-1/4"
16	10-27246	1-1/4 BEARING, 2-BOLT PILLOW
17	200516	BELT, U-TROUGH HOPPER CANVAS REINFORCE
18	10-20399	3/16" X 5/8" GRIP RIVET
19	10-18091	5/16" X 1" NC BOLT GR 2 PLTD
20	10-19542	7/16" X 1" NC BOLT GR 5 PLTD
21	10-19589	1/2" X 1-1/2" NC BOLT GR 8 PLTD
22	10-27986	3/8" X 1" NC CARRIAGE BOLT GR 5 PLT
23	9900603	BOLT HEX 1/4 X 1 UNC GR5 PLT
24	10-18186	3/16 X 1 RIVET WASHER
25	10-17593	7/16" NC NYLON LOCKNUT GR 5 YLW PLT
26	10-17750	1/2" NC NYLON LOCKNUT GR 5 YLW PLTD
27	10-19980	5/16" NC NYLON LOCKNUT PLTD
28	10-20082	3/8" WING NUT PLTD
29	10-28449	1/4" NC NYLON LOCKNUT PLTD
30	10-24407	UTX44 HOPPER CABLE - 1/8" X 14.5'
31	10-29336	INTAKE HOPPER TOW BAR
32	10-19648	SADDLE PIN
33	10-17383	3610 GRIP CLIP
34	10-18698	7/16" X 1-1/4" NC BOLT GR 8 PLTD
35	10-19598	7/16" NC NYLON LOCKNUT GR 2 PLTD
36	10-24270	BRKT, HOPPER CANVAS ADJ HANDLE
37	P1211303	1/4 X 1 YELLOW RUBBER HANDLE GRIP
38	10-28485	7/16" SAE WASHER PLTD
39	9900694	3/8" X 1-1/2" UNC HEX BOLT GR5 PLT
40	10-17402	3/8" NC NYLON LOCKNUT PLTD
41	10-17392	3/8" FLAT WASHER PLTD
42	10-18155	COTTER PIN 3/16 X 1-1/4 C.ZINC PLTD
43	11157	HOPPER TARP SUPPORT
44	201197	UTX HOPPER COVER WITH BUNGEEES (NOT SHOWN)
45	05-A475	UTX COVER KIT

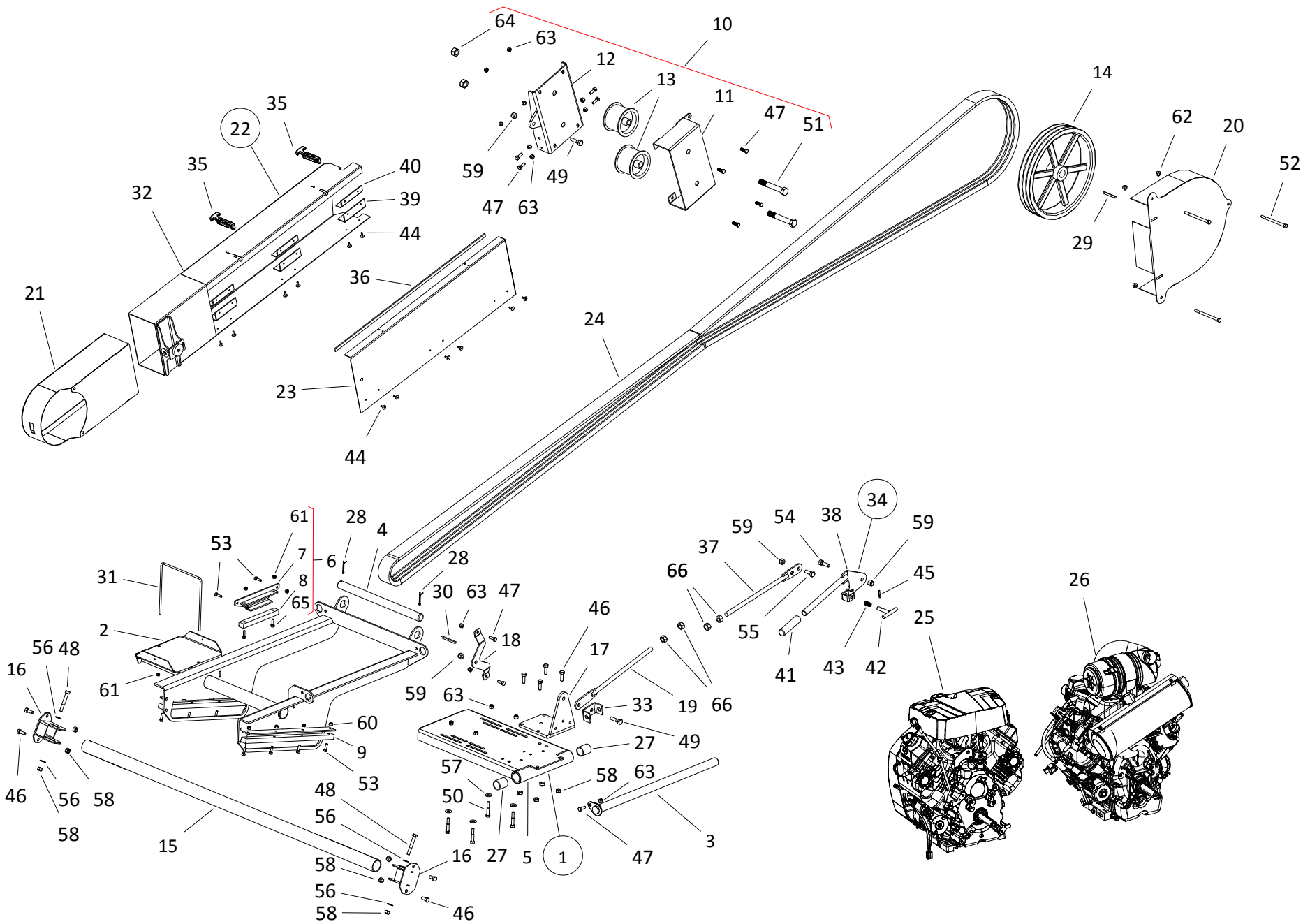
DRIVE COMPONENTS UTX (2020)



DRIVE COMPONENTS UTX (2020)

ITEM	PART NO.	DESCRIPTION
1	10-24055	ASSY, ENGINE SLIDER
2	10-24004	MNT, MTR SLIDER
3	10-24005	PIN, MTR SLIDE RAIL
4	10-24006	PIN, MOTOR PIVOT
5	10-24023	MNT, MTR ASSEM
6	10-24234	ENGINE SLIDER ASSY
7	10-24025	BRKT, SLIDER MOUNT
8	10-24031	MNT, UHMW ENGINE SLIDER
9	BU-0101177	UHMW SLIDER
10	10-24032	BELT TENSIONER IDLER FRM ASSY
11	10-24037	BELT TENSIONER IDLER FRONT PLT
12	10-24062	IDLER MOUNT
13	10-23834	4" X 3/4" IDLER PULLEY (FOR 3 BELT)
14	10-19933	PULLEY, 15 X 1.25, TRPL B
15	10-24017	TUBE, MTR LEVELLER
16	10-24290	CROSS TUBE BRKT
17	10-24292	BRKT, U-TROUGH ENGINE SLIDER MNT
18	10-24078	GUARD RETAINER PLATE
19	10-24079	THREADED PUSH ROD
20	200540RD	ASSY STX2 CLOSED GUARD PULLEY COVER
21	10-24065	CLUTCH GUARD
22	200549RD	ASSY, STX2 46 CLOSED GUARD
23	200551RD	BRKT, CLOSED GUARD COVER
24	10-24043	B270 TRIPLE BANDED BELT
25	31085	KOHLER ECH980-3013 ENGINE 38HP EFI
26	04-37V	ENGINE 37HP VANGUARD EFI, C/W 23746
27	10-19776	BUSHING, 1-1/4"
28	10-17757	COTTER PIN 3/16 X 1-3/4 C.ZINC PLTD
29	10-17854	1/4" X 2-1/2" SQUARE KEY
30	10-19607	KEY, 1/4" X 3" SQ
31	10-28448	UBOLTSQ1/4NCX8-1/4X9-3/4X4THDGR5PLT
32	200550RD	WELD'T, CLOSED GUARD
33	200534RD	BRKT, STX2 MANUAL BELT ENGAGE MNT
34	200532RD	ASSY, STX2 MANUAL BELT ENGAGE HANDLE
35	200537	RUBBER DRAW LATCH
36	200626	FOAM STRIP, CLOSED GUARD
37	200535PL	WELD'T STX2 MNL BLT ENGAGE THRDD RD
38	200533RD	WELDT, STX2 MANUAL BELT ENGAGE HNDL
39	200547	BELT, STX2 CLOSED GUARD
40	10-22049	4-3/4 BELTING ATTACH STRAP
41	0200007-4	7/8" HANDLE GRIP
42	10-28856	LOCK PIN, MK FLEX
43	10-28645	COMPRESSION SPRING (SINGLE)
44	10-18185	LARGE FLANGE RIVET
45	10-28726	SLOTTED SPRING PIN 3/16 X 1-1/2 PLN
46	10-18698	7/16" X 1-1/4" NC BOLT GR 8 PLTD
47	10-18955	3/8" X 1" NC BOLT GR 5 PLTD
48	10-19546	7/16" X 3" NC BOLT GR 5 PLTD
49	10-19974	1/2" X 1-3/4" NC BOLT GR 8 PLTD
50	10-28745	3/8" X 2-1/4" NC BOLT GR 5 PLTD

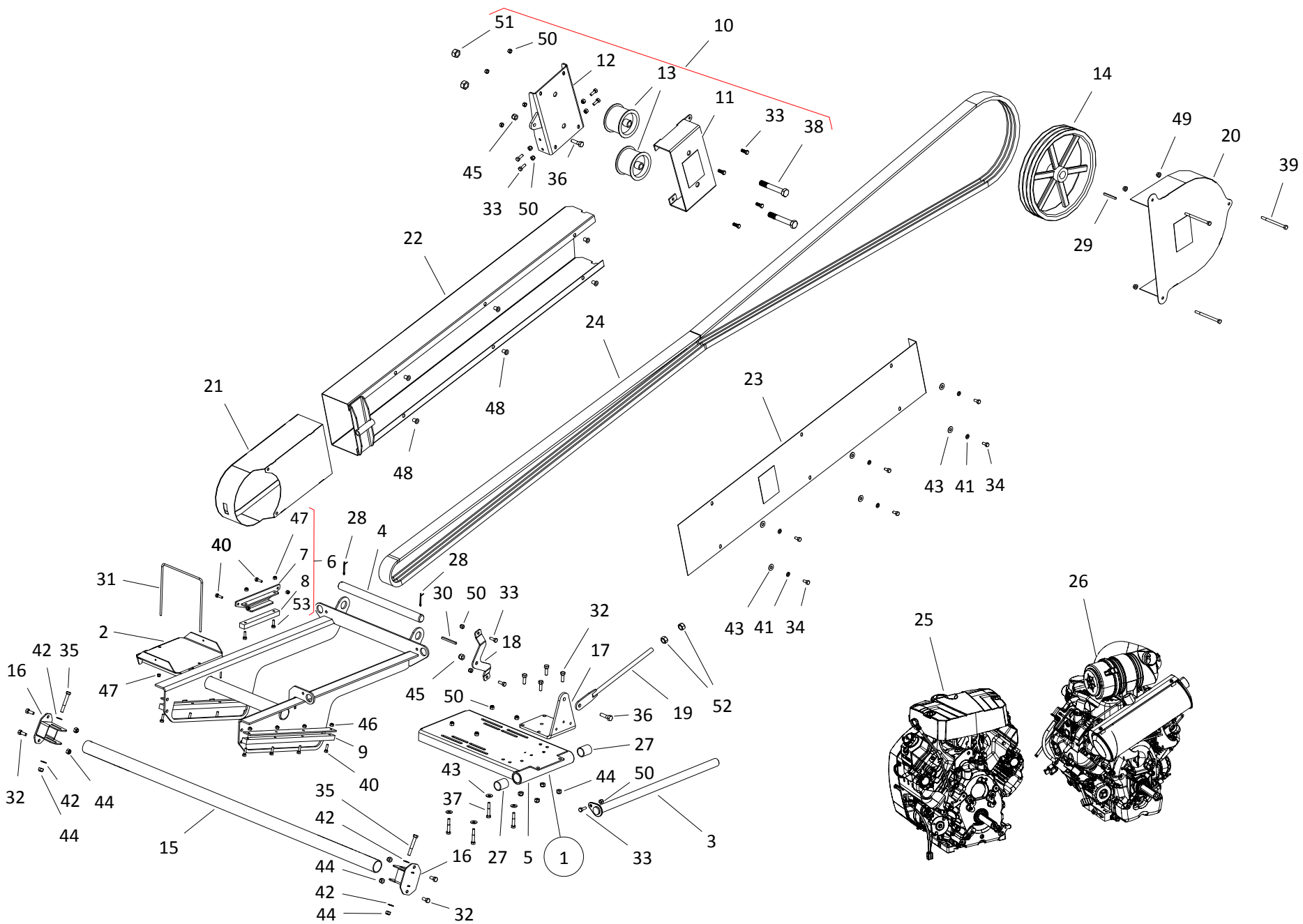
DRIVE COMPONENTS UTX (2020)



DRIVE COMPONENTS UTX (2020)

ITEM	PART NO.	DESCRIPTION
51	10-23837	3/4" X 5" NC BOLT GR 5 PLTD
52	10-23513	3/8" X 5" NC BOLT GR 5 PLTD
53	10-18091	5/16" X 1" NC BOLT GR 2 PLTD
54	10-19589	1/2" X 1-1/2" NC BOLT GR 8 PLTD
55	10-19588	1/2" X 1-1/4" NC BOLT GR 5 PLTD
56	10-28485	7/16" SAE WASHER PLTD
57	10-17392	3/8" FLAT WASHER PLTD
58	10-19598	7/16" NC NYLON LOCKNUT GR 2 PLTD
59	10-19599	1/2" NC NYLON LOCKNUT GR 2 PLTD
60	10-19980	5/16" NC NYLON LOCKNUT PLTD
61	10-28449	1/4" NC NYLON LOCKNUT PLTD
62	10-19596	3/8" NC SERRATED FLANGE NUT PLTD
63	10-17402	3/8" NC NYLON LOCKNUT PLTD
64	10-19601	3/4" NC NYLON LOCKNUT PLTD
65	10-19988	1/4" X 1" NC BOLT GR 2 PLTD
66	10-19864	5/8" NC HEX NUT PLTD
67	10-20207	37" SINGLE BATTERY CABLE (NOT SHOWN)

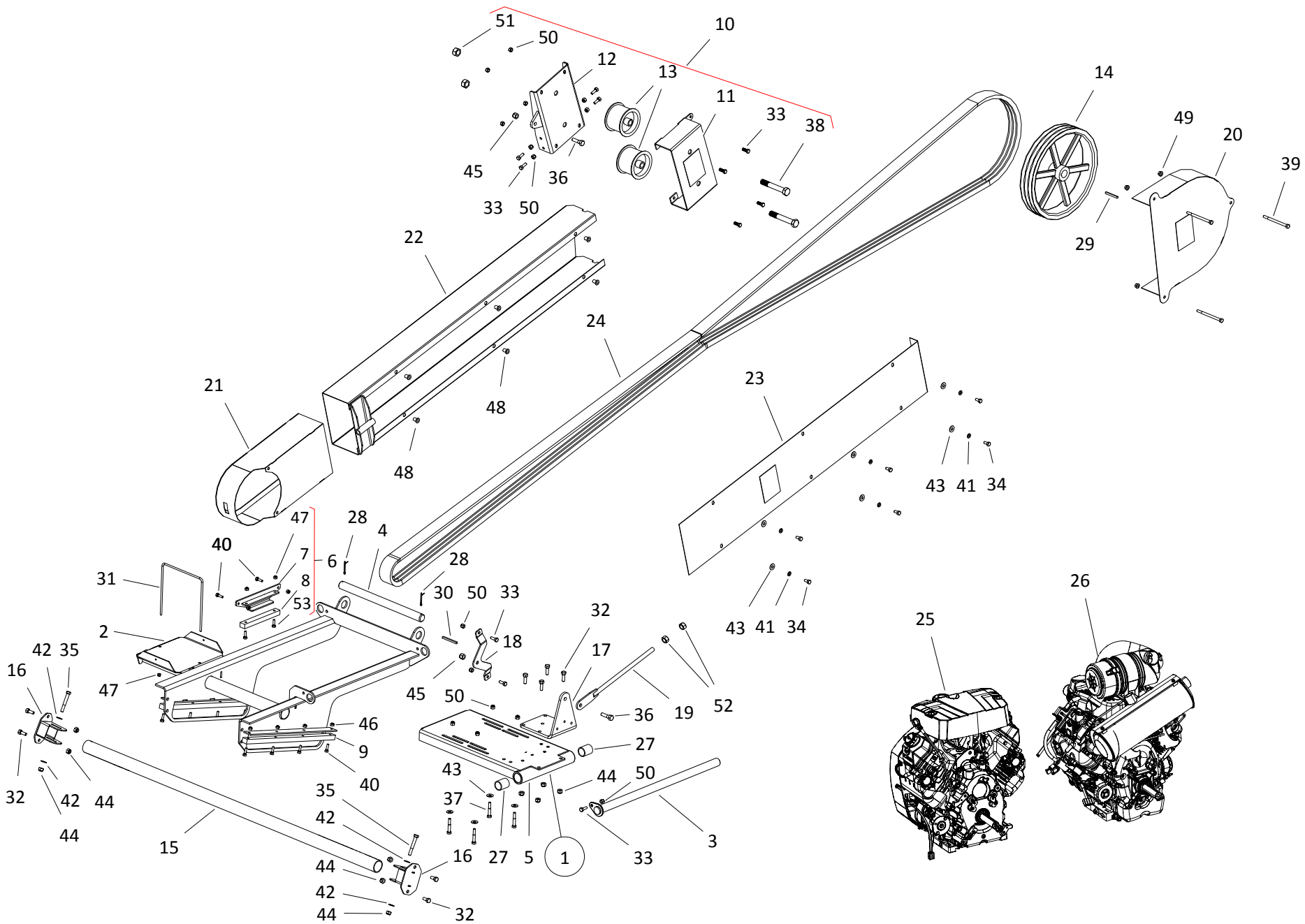
DRIVE COMPONENTS (PRIOR TO 2020)



DRIVE COMPONENTS (PRIOR TO 2020)

ITEM	PART NO.	DESCRIPTION
1	10-24055	ASSY, ENGINE SLIDER
2	10-24004	MNT, MTR SLIDER
3	10-24005	PIN, MTR SLIDE RAIL
4	10-24006	PIN, MOTOR PIVOT
5	10-24023	MNT, MTR ASSEM
6	10-24234	ENGINE SLIDER ASSY
7	10-24025	BRKT, SLIDER MOUNT
8	10-24031	MNT, UHMW ENGINE SLIDER
9	BU-0101177	UHMW SLIDER
10	10-24032	BELT TENSIONER IDLER FRM ASSY
11	10-24037	BELT TENSIONER IDLER FRONT PLT
12	10-24062	IDLER MOUNT
13	10-23834	4" X 3/4" IDLER PULLEY (FOR 3 BELT)
14	10-19933	PULLEY, 15 X 1.25, TRPL B
15	10-24017	TUBE, MTR LEVELLER
16	10-24290	CROSS TUBE BRKT
17	10-24292	BRKT, U-TROUGH ENGINE SLIDER MNT
18	10-24078	GUARD RETAINER PLATE
19	200536PL	WELDT STX2 MNL BLT ENGAGE GUIDE ROD
20	10-24064	PULLEY GUARD COVER
21	10-24065	CLUTCH GUARD
22	10-24067	BOTTOM GUARD ASSY
23	10-24071	BOTTOM GUARD COVER, ASSY
24	10-24043	B270 TRIPLE BANDED BELT
25	31085	KOHLER ECH980-3013 ENGINE 38HP EFI
26	04-37V	ENGINE 37HP VANGUARD EFI, C/W 23746
27	10-19776	BUSHING, 1-1/4"
28	10-17757	3/16" X 1-3/4" COTTER PIN PLTD
29	10-17854	1/4" X 2-1/2" SQUARE KEY
30	10-19607	KEY, 1/4" X 3" SQ
31	10-28448	UBOLTSQ1/4NCX8-1/4X9-3/4X4THDGR5PLT
32	10-18698	7/16" X 1-1/4" NC BOLT GR 8 PLTD
33	10-18955	3/8" X 1" NC BOLT GR 5 PLTD
34	10-19540	3/8" X 3/4" NC BOLT GR 5 PLTD
35	10-19546	7/16" X 3" NC BOLT GR 5 PLTD
36	10-19974	1/2" X 1-3/4" NC BOLT GR 8 PLTD
37	10-28745	3/8" X 2-1/4" NC BOLT GR 5 PLTD
38	10-23837	3/4" X 5" NC BOLT GR 5 PLTD
39	10-23513	3/8" X 5" NC BOLT GR 5 PLTD
40	10-18091	5/16" X 1" NC BOLT GR 2 PLTD
41	10-19604	3/8" LOCK WASHER PLTD
42	10-28485	7/16" SAE WASHER PLTD
43	10-17392	3/8" FLAT WASHER PLTD
44	10-19598	7/16" NC NYLON LOCKNUT GR 2 PLTD
45	10-19599	1/2" NC NYLON LOCKNUT GR 2 PLTD
46	10-19980	5/16" NC NYLON LOCKNUT PLTD
47	10-28449	1/4" NC NYLON LOCKNUT PLTD
48	10-22550	RIVNUT 3/8-16 UNC
49	10-19596	3/8" SERRATED FLANGE NUT
50	10-17402	3/8" NC NYLON LOCKNUT PLTD

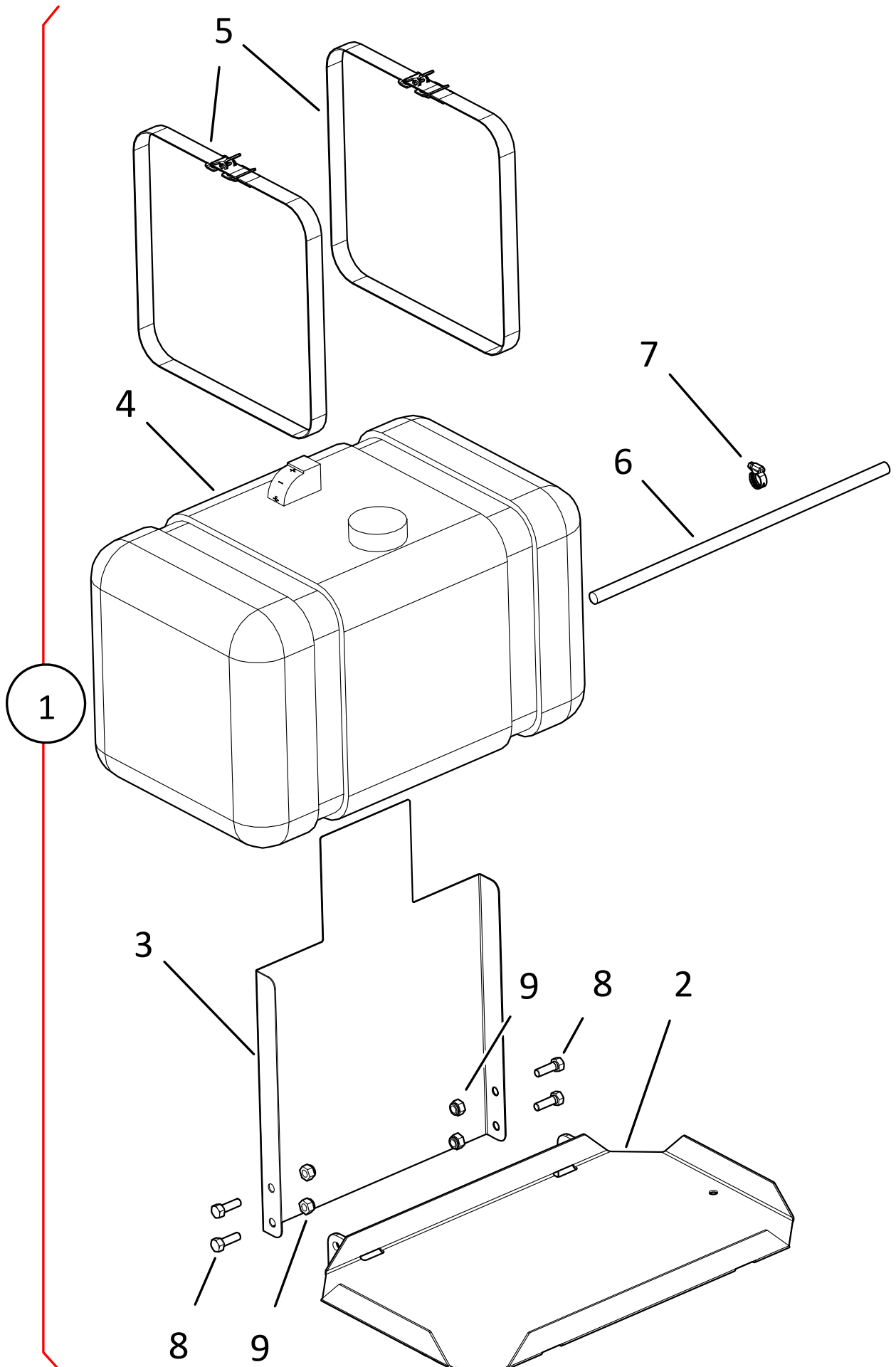
DRIVE COMPONENTS (PRIOR TO 2020)



DRIVE COMPONENTS (PRIOR TO 2020)

ITEM	PART NO.	DESCRIPTION
51	10-19601	3/4" NC NYLON LOCKNUT PLTD
52	10-19864	5/8" NC HEX NUT PLTD
53	10-19988	1/4" X 1" NC BOLT GR 2 PLTD
54	10-20207	37" SINGLE BATTERY CABLE (NOT SHOWN)

GAS TANK KIT (A415)

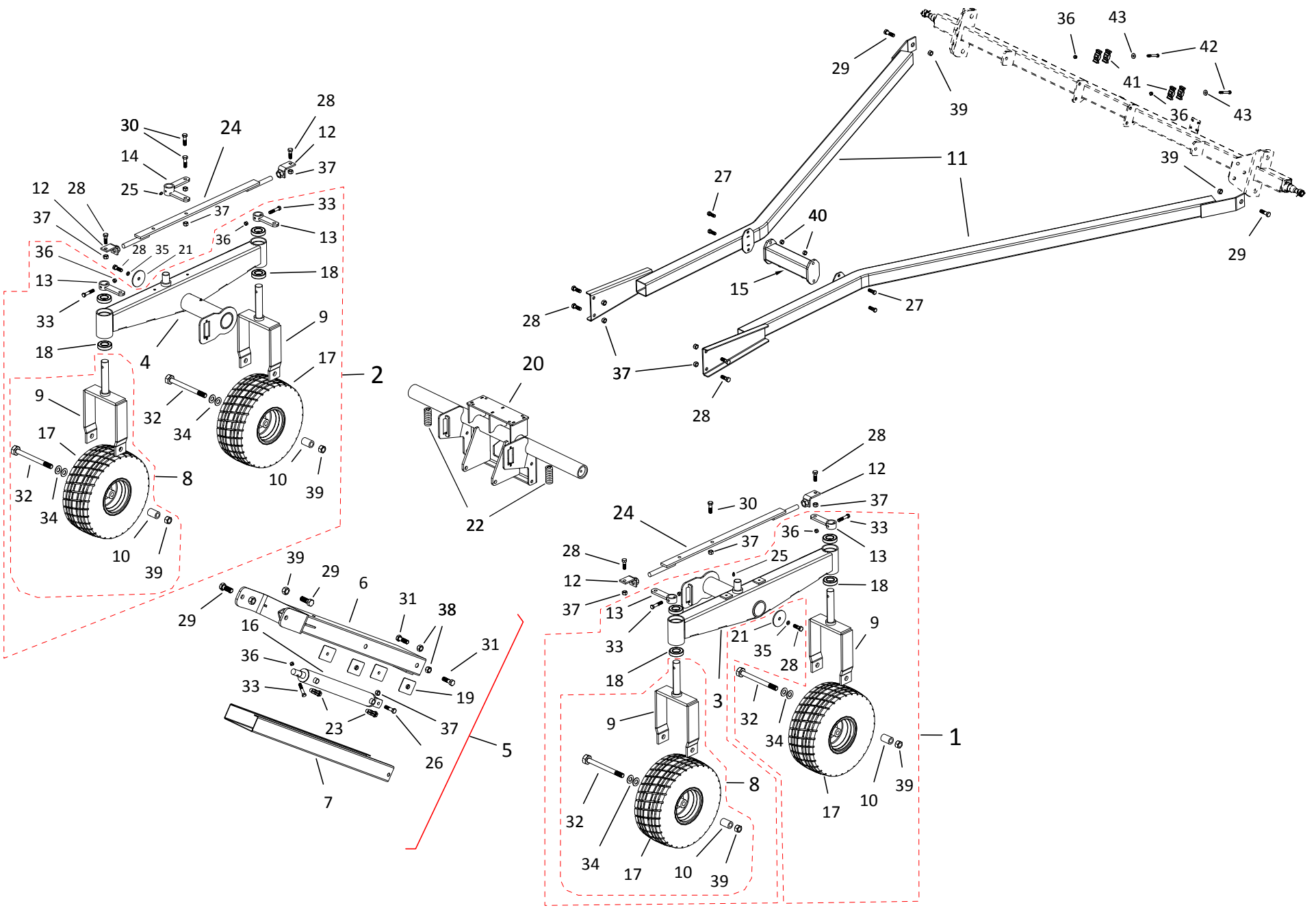


GAS TANK KIT (A415)

ITEM	PART NO.	DESCRIPTION
1	05-A415	GAS TANK PKG
2	10-24007	MNT, GAS TANK
3	10-24018	HEAT SHIELD
4	10-23121	FUEL TANK (TALL), 12 GALLON
5	10-23122	STRAP, NYLON - 54" W/SPRING BUCKLE
6	10-24106	1/4 FUEL HOSE, 60"
7	1200024	1/4" HOSE CLAMP
8	10-18698	7/16" X 1-1/4" NC BOLT GR 8 PLTD
9	10-19598	7/16" NC NYLON LOCKNUT GR 2 PLTD

HD SP KIT FRAME COMPONENTS

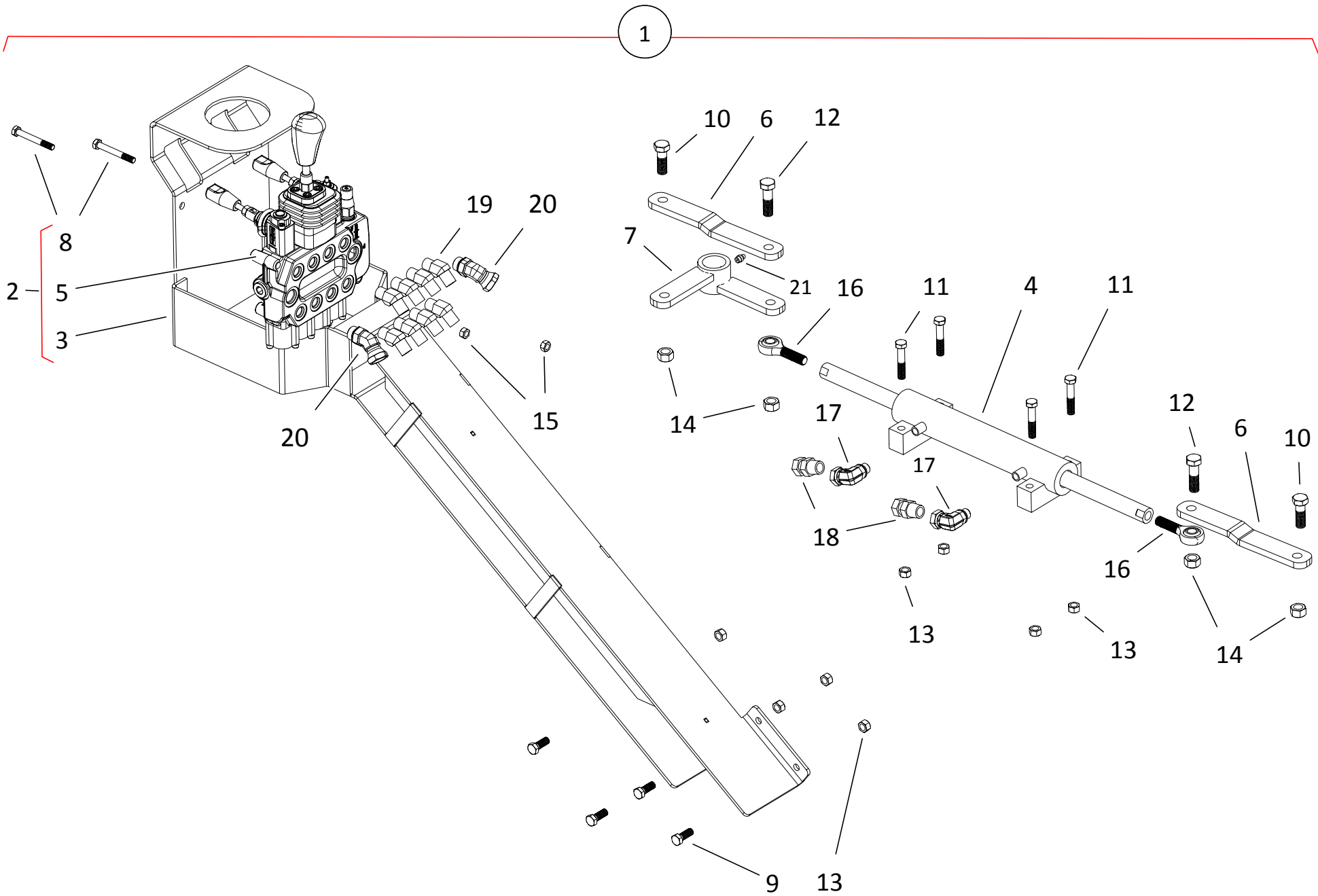
22



HD SP KIT FRAME COMPONENTS

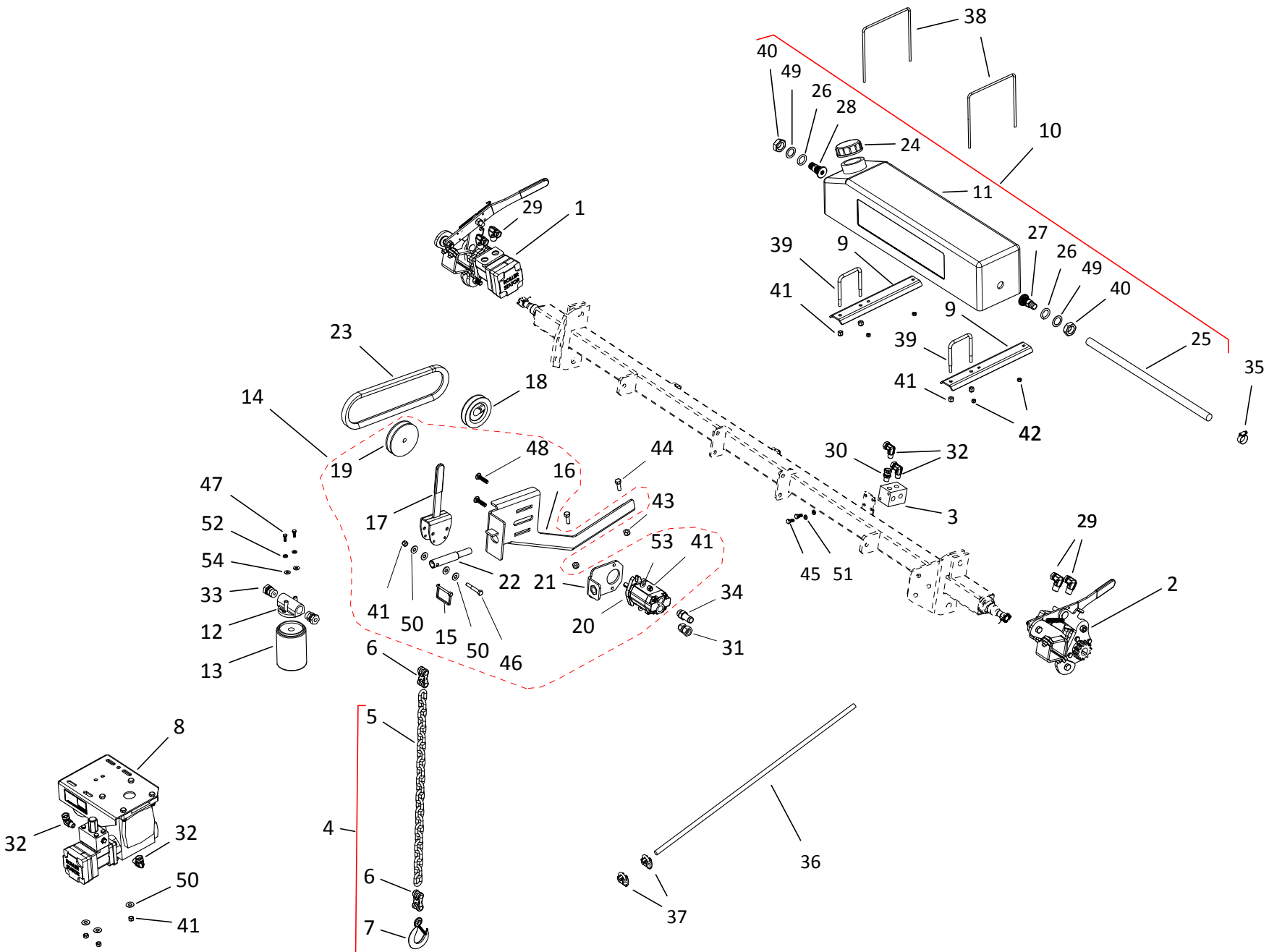
ITEM	PART NO.	DESCRIPTION
1	10-23561	WALKING BEAM RH W/WHEEL CASTER
2	10-23562	WALKING BEAM LH W/WHEEL CASTER
3	10-22312	WALKING BEAM, RH, W/BEARINGS, RED
4	10-22313	WALKING BEAM, LH, W/BEARINGS, RED
5	10-22327	SLIDER ASSEMBLY, RED
6	10-22328	TOP SLIDER, RED
7	10-22329	LOWER SLIDER, RED
8	10-22366	HD WHEEL CASTER ASSEMBLY, RED
9	10-22347	HD WHEEL YOKE, RED
10	10-22365	WHEEL CASTER SPACER
11	10-23255	HD SP REACH ARM
12	10-22309	HD STEERING LINK END, PLATED
13	10-22314	HD CASTER STEERING LINK, RED
14	10-22359	MANUAL STEERING PIVOT LH, RED
15	10-23213	FRAME CROSSMEMBER
16	10-28179	HYD CYLINDER (SP KIT)
17	10-22332	TIRE ASSY,16X7.5X8 TURFMASTER
18	10-22344	1654-2RS 1-1/4" BEARING
19	10-22345	SLIDER WEAR PLATE
20	10-22311	AXLE, HD MOVER, RED
21	0202005	END CAP,AXLE,2-7/8X9/16X3/16
22	10-21092	SUPPORT SPRING
23	10-28757	STEEL ELBOW 90, 6MNPT X 6FNPSM
24	10-22310	HD STEERING LINK, RED
25	10-19222	GREASE FTG ZERK 1/4-28 SAE CZ PLTD
26	9900560	1/2" X 2-1/4" NC BOLT GR 5 PLTD
27	10-18698	7/16" X 1-1/4" NC BOLT GR 8 PLTD
28	10-19589	1/2" X 1-1/2" NC BOLT GR 8 PLTD
29	10-19592	3/4" X 2" NC BOLT GR 8 PLTD
30	10-19974	1/2" X 1-3/4" NC BOLT GR 8 PLTD
31	10-19991	5/8" X 2" NC BOLT GR 8 PLTD
32	10-27482	3/4" X 8-1/2" NC BOLT GR 8 PLTD
33	10-28745	3/8" X 2-1/4" NC BOLT GR 5 PLTD
34	10-19979	3/4" FLAT WASHER PLTD
35	10-19605	1/2" LOCK WASHER PLTD
36	10-17402	3/8" NC NYLON LOCKNUT PLTD
37	10-19599	1/2" NC NYLON LOCKNUT GR 2 PLTD
38	10-19600	5/8" NC NYLON LOCKNUT PLTD
39	10-19601	3/4" NC NYLON LOCKNUT PLTD
40	10-19598	7/16" NC NYLON LOCKNUT GR 2 PLTD
41	10-28732	LINE BLOCK
42	10-18699	3/8" X 2-1/2" NC BOLT GR 5 PLTD
43	10-17392	3/8" FLAT WASHER PLTD

HD HYDRAULIC STEERING OPTION KIT (A332)



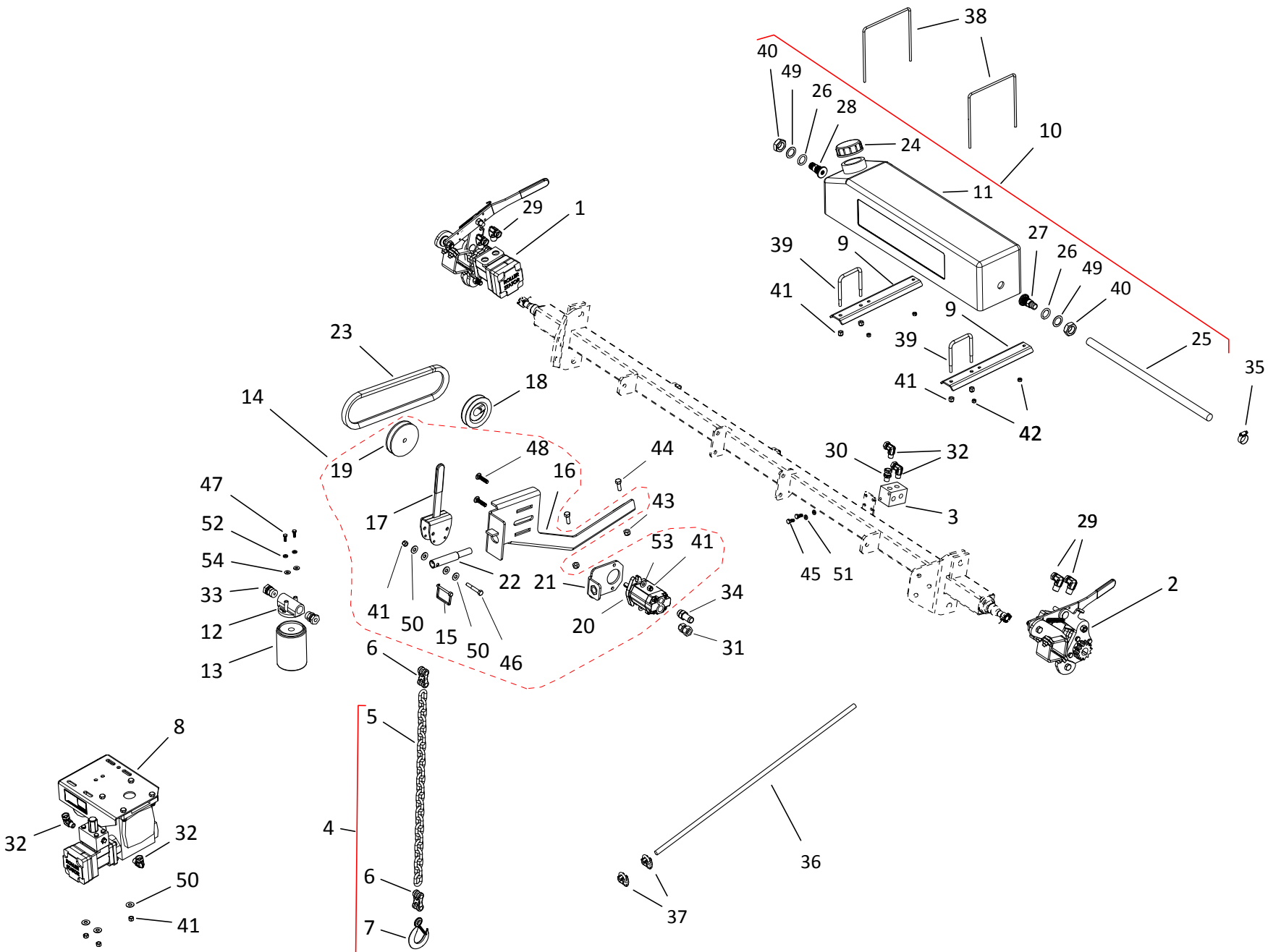
HD HYDRAULIC STEERING OPTION KIT (A332)

ITEM	PART NO.	DESCRIPTION
1	05-A332	HD HYD STEERING OPTION
2	10-23080	HYD STEERING CONTROL ARM ASSEMBLY
3	10-22438	HYD STEERING CONTROL ARM, RED
4	10-22440	HYD CYLINDER DOUBLE, 1-1/2 X 5-5/8
5	10-22441	VALVE-4SPL W/ JOYSTICK W/ 4 HANDLES
6	10-22439	HYD CYLINDER LINK, RED
7	10-22445	HYD STEERING PIVOT ASSY, RH RED
8	10-17631	5/16" X 2-1/2" NC BOLT GR 2 PLTD
9	10-18955	3/8" X 1" NC BOLT GR 5 PLTD
10	10-19589	1/2" X 1-1/2" NC BOLT GR 8 PLTD
11	10-27979	3/8" X 2" NC BOLT GR 5 PLTD
12	10-19974	1/2" X 1-3/4" NC BOLT GR 8 PLTD
13	10-17402	3/8" NC NYLON LOCKNUT PLTD
14	10-19599	1/2" NC NYLON LOCKNUT GR 2 PLTD
15	10-19980	5/16" NC NYLON LOCKNUT PLTD
16	10-22323	BALL JOINT ROD END
17	10-22191	ELBOW, 90, 6 MORB X 3/8 NSPM
18	10-21878	ADAPTER, ORIFICE #6 MNPT X #6 FPTS
19	10-28504	ELBOW, 45, 6 MORB X 6 MJIC
20	10-23201	ELBOW, 45, 8 MORB X 1/2" FNPSM
21	10-19222	GREASE FTG ZERK 1/4-28 SAE CZ PLTD



SP KIT PARTS

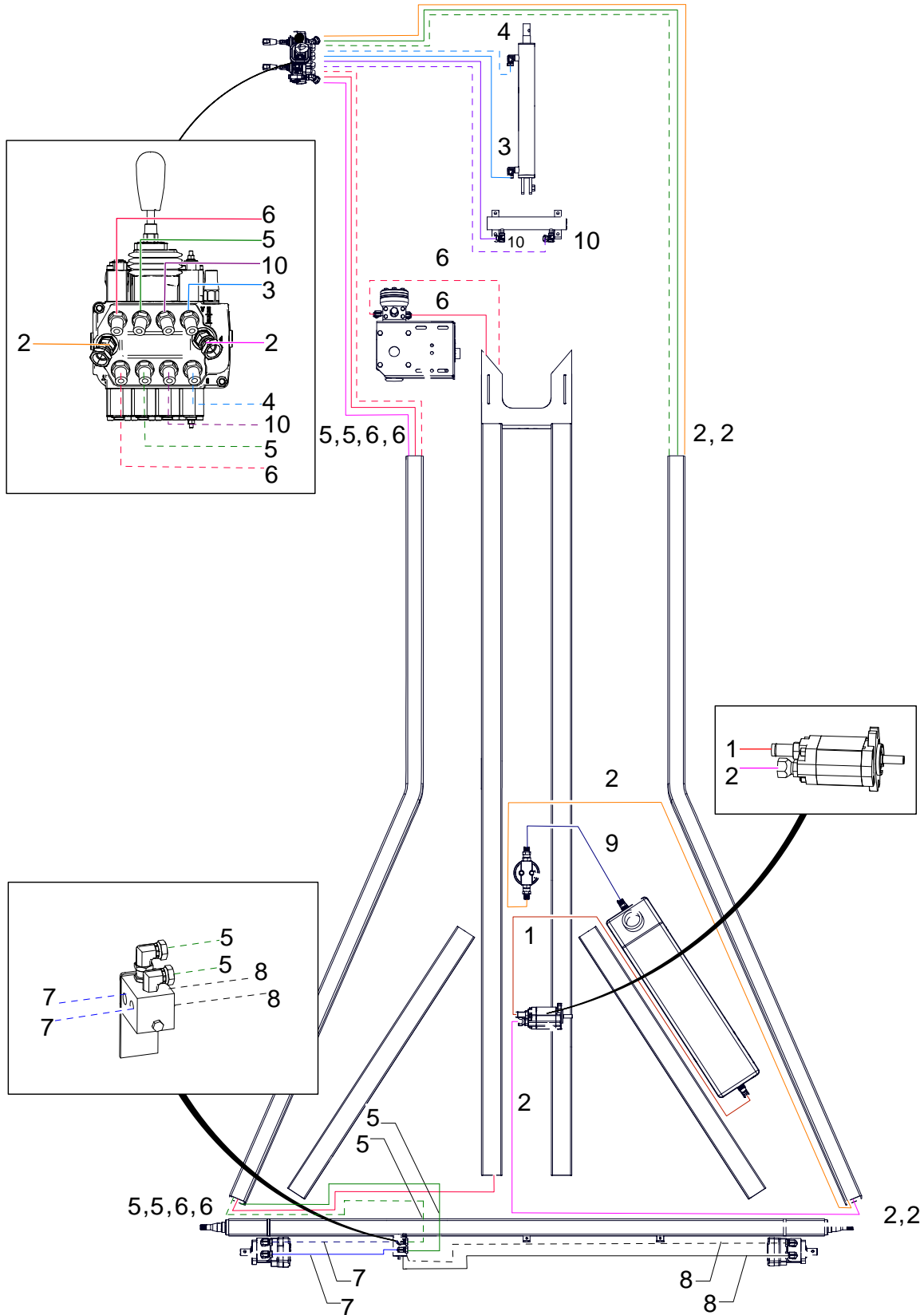
ITEM	PART NO.	DESCRIPTION
1	0200015EL	OC ASSY COMPLETE W/MTR/PIN LH
2	0200015ER	OC ASSY COMPLETE W/MTR/PIN RH
3	10-28180	CUSHION BLOCK
4	10-24214	ASSY, SAFETY CHAIN W/ HOOK, 23 LINK
5	10-24215	5/16 GRADE 30 CHAIN X 23 LINK, PLTD
6	10-20083	5/16" MID LINK
7	10-28997	1/2T EYE HOIST HOOK W/ LATCH
8	10-23515	HYD WINCH ASSY, RED
9	10-24019	MNT, HYD TANK
10	10-23226	HYD TANK ASSY, 22L BLACK
11	9900052B-1	22L TANK (BLACK)
12	9900993	FILTER HEAD, INLINE, 3/4" FNPT
13	9900994	FILTER HYD, 10 MICRON, 3/4"
14	10-24056	ASSY, HYD PUMP
15	10-24057	QUICK PIN 1/4 X 2-1/4
16	10-24008	MNT, PUMP BRKT
17	10-24009	HANDLE, PUMP
18	10-28061	PULLEY, 4-1/2 X 1-1/8, SINGLE
19	10-28200	PULLEY, 4.5 X 0.5, SINGLE
20	10-28205	HYDRAULIC PUMP
21	10-24010	BRKT, PUMP ADJUST
22	10-24011	PUMP PUSH BAR
23	10-24061	BX35 BELT (NOTCHED BELT)
24	1200011	CAP, 22/35L GAS TANK
25	10-29389	HYDRAULIC HOSE, 3/8" X 18"
26	9900240	O-RING, #318
27	9900021	ALUM FITTING FOR OIL RESERVOIR
28	9900232A	FITTING, 1" BLKHD X 1/2 MNPT X 3/8 FNPT
29	10-22557	STEEL ELBOW, 8 MNPT X 6 FNPSM
30	10-23249	STEEL FITTING, 3/8" MNPT X 3/8" FNPSM
31	10-28477	STEEL FITTING, 8 MORB X 1/2 FNPSM
32	10-28757	STEEL ELBOW, 90, 6 MNPT X 6 FNPSM
33	2300053	STEEL FITTING, 3/4 MNPT X 1/2 FNPSM
34	9900203	STEEL FITTING, 3/4 HB X 10 MORB
35	9900215	#012 (3/4"HOSE) HOSE CLAMP
36	10-19250	WINCH CABLE
37	10-19147	1/4" CABLE CLAMP
38	10-22390	UBOLTSQ1/4NCX7-1/4X7-5/8GR5PLT
39	10-28833	UBOLTSQ3/8NCX3-1/16X4X1THD PLTD
40	9900760	NUT JAM 1 UNF PLT
41	10-17402	3/8" NC NYLON LOCKNUT PLTD
42	10-28449	1/4" NC NYLON LOCKNUT PLTD
43	10-19598	7/16" NC NYLON LOCKNUT GR 2 PLTD
44	10-18698	7/16" X 1-1/4" NC BOLT GR 8 PLTD
45	10-19538	5/16" X 3/4" NC BOLT GR 2 PLTD
46	10-18699	3/8" X 2-1/2" NC BOLT GR 5 PLTD
47	9900800	1/4" X 3/4" NC BOLT GR 5 PLTD
48	10-22937	3/8X1-3/4 CARRIAGE BOLT UNC GR5 PL
49	10-18097	1" RIM WASHER PLTD
50	10-17392	3/8" FLAT WASHER PLTD



SP KIT PARTS

ITEM	PART NO.	DESCRIPTION
51	10-19603	5/16" LOCK WASHER PLTD
52	9900783	1/4" LOCKWASHER PLTD
53	10-27336	5/16" FLAT WASHER PLTD
54	9900683	1/4" FLAT WASHER PLTD

HYDRAULIC HOSES, 44 ft (HD SP KIT - HYDRAULIC)

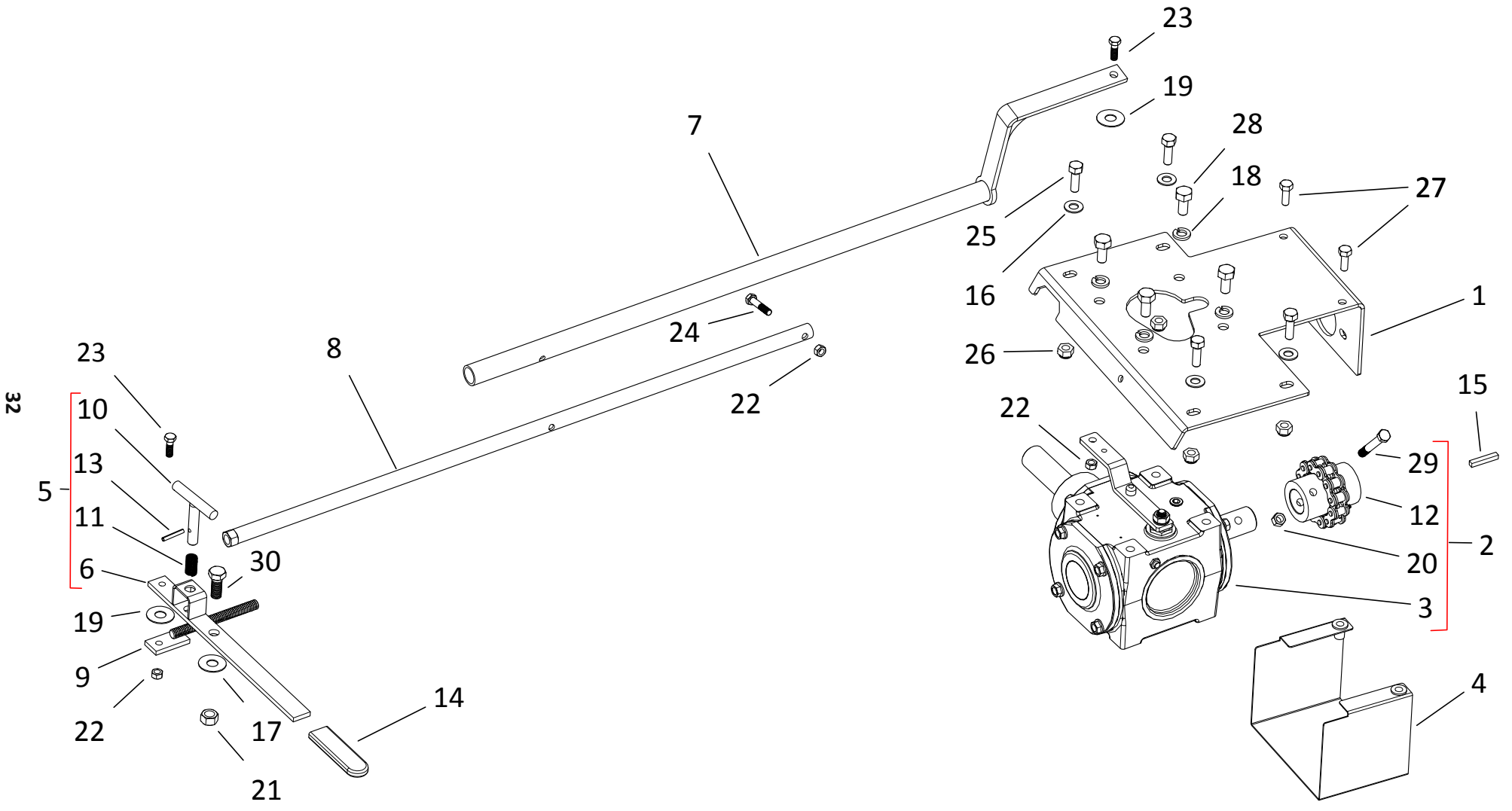


Hose identification is defined by a single band of colour on the valve end of the hose: Blue - 3 & 4, Green - 5, White - 6, Red - 10

HYDRAULIC HOSES, 44 ft (HD SP KIT - HYDRAULIC)

ITEM	PART NO.	DESCRIPTION
1	10-24094	3/4" X 78" HYDRAULIC HOSE
2	10-23375	1/2" X 240" HYDRAULIC HOSE
3	10-29361	3/8" X 60" HYDRAULIC HOSE
4	10-29448	3/8" X 74" HYDRAULIC HOSE
5	10-23378	3/8" X 180" HYDRAULIC HOSE
6	10-28747	3/8" X 358" HYDRAULIC HOSE
7	10-23371	3/8" X 18" HYDRAULIC HOSE
8	10-29443	3/8" X 56" HYDRAULIC HOSE
9	10-24091	1/2" X 22" HYDRAULIC HOSE
10	10-28232	3/8" X 62" HYDRAULIC HOSE

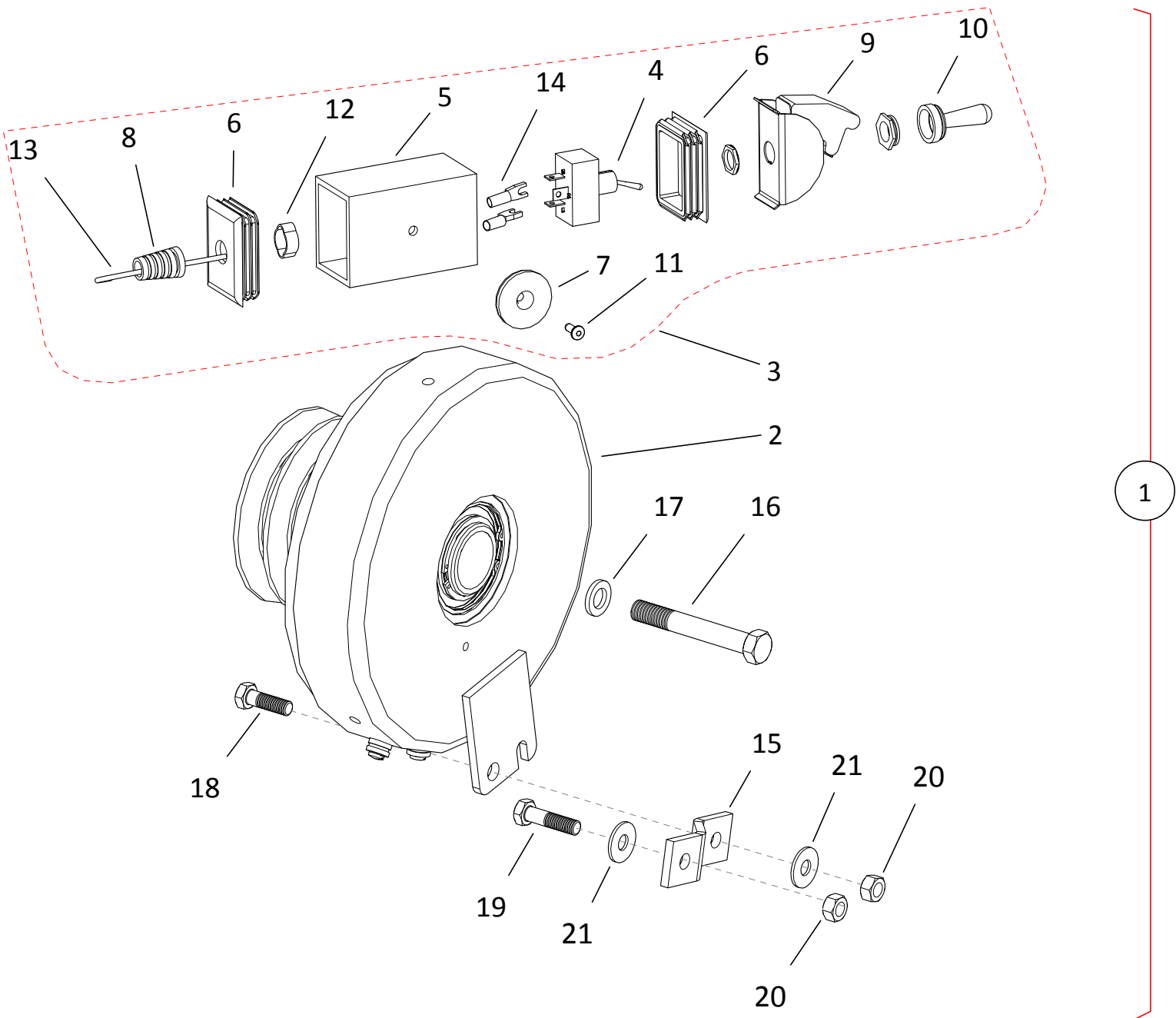
REVERSIBLE GEARBOX



REVERSIBLE GEARBOX

ITEM	PART NO.	DESCRIPTION
1	10-24268	BRKT, U-TROUGH GEARBOX MNT
2	10-24412	UTX REVERSIBLE GEARBOX ASSY
3	10-29322	REVERSIBLE LARGE SD GEARBOX
4	10-23244	GEARBOX CHAIN COUPLER GUARD
5	10-23514	DETENT LEVER ASSEMBLY
6	10-22258	DETENT LEVER ONLY
7	10-24212	GEARBOX PUSH ROD
8	10-23731	GEARBOX HANDLE EXTENSION, STRAIGHT
9	10-22256	ADJUST LUG
10	10-28856	LOCK PIN
11	10-28645	COMPRESSION SPRING (SINGLE)
12	10-19803	CPLR, 1.25 BOLT X 1.25 KEY
13	10-28726	SLOTTED SPRING PIN 3/16 X 1-1/2 PLN
14	P1211303	1/4 X 1 YELLOW RUBBER HANDLE GRIP
15	10-19606	KEY, 1/4" X 1-1/2" SQ
16	10-28485	7/16" SAE WASHER PLTD
17	10-17401	1/2" FLAT WASHER PLTD
18	10-19605	1/2" LOCK WASHER PLTD
19	10-27336	5/16" FLAT WASHER PLTD
20	10-17402	3/8" NC NYLON LOCKNUT PLTD
21	10-19599	1/2" NC NYLON LOCKNUT GR 2 PLTD
22	10-19980	5/16" NC NYLON LOCKNUT PLTD
23	10-18091	5/16" X 1" NC BOLT GR 2 PLTD
24	10-27788	5/16" X 1-1/2" NC BOLT GR 5 PLTD
25	10-18698	7/16" X 1-1/4" NC BOLT GR 8 PLTD
26	10-19598	7/16" NC NYLON LOCKNUT GR 2 PLTD
27	10-18955	3/8" X 1" NC BOLT GR 5 PLTD
28	10-19231	1/2" X 1" NC BOLT GR 5 PLTD
29	10-19541	3/8" X 2-3/4" NC BOLT GR 2 PLTD
30	10-19588	1/2" X 1-1/4" NC BOLT GR 5 PLTD

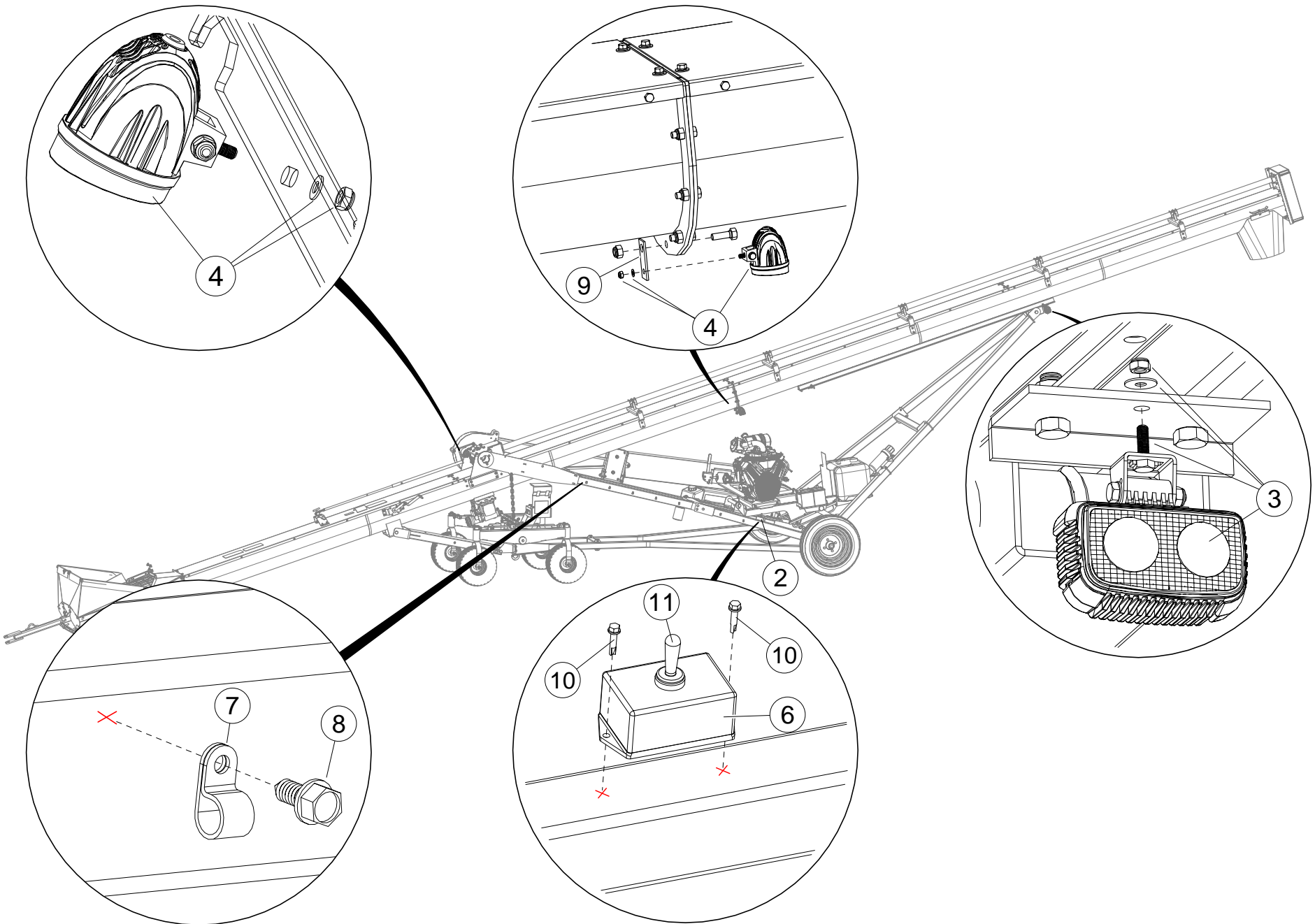
ELECTRIC CLUTCH KIT, TRIPLE (A414)



ELECTRIC CLUTCH KIT, TRIPLE (A414)

ITEM	PART NO.	DESCRIPTION
1	05-A414	ELEC CLUTCH 1-1/8 TRP
2	10-29876	ELEC CLUTCH ONLY, 1-1/8" TRIPLE GRV
3	0603010A	ELECTRIC CLUTCH SWITCH ASSEMBLY
4	0600568-2	CLUTCH TOGGLE
5	0603010-1	SWITCH BOX, ELECTRIC CLUTCH, ALUMINUM
6	0603010-2A	PLUG, PLASTIC, 1-1/2 X 2 W/ HOLE
7	0603010-3	MAGNET, 1-1/4", CUPPED, COUNTERSUNK
8	0603010-4	STRAIN RELIEF, ROUND, SOLID RIB
9	0603010-6	SWITCH GUARD, FLIP COVER
10	0603010-7	SWITCH, SPLASHPROOF BOOT ASSY
11	10-20765	3/16"X1/2" BLIND RIVET (SMALL HEAD)
12	10-20582	CRIMPED CIRCLE CLAMP, 3/8
13	10-21977	14/2 YELLOW WIRE 25 FEET
14	10-18365	SPADE TERMINAL, 3/16
15	10-24074	CLUTCH STOP, TRIPLE CLUTCH
16	9900935	BOLT, 7/16" X 3"
17	9900508	LOCK WASHER, 7/16"
18	10-18091	5/16" X 1" NC BOLT GR 2 PLTD
19	10-17748	5/16" X 1-1/4" NC BOLT GR 2 PLTD
20	10-19980	5/16" NC NYLON LOCKNUT PLTD
21	10-27336	5/16" FLAT WASHER PLTD
22	10-28663	STANDARD BLADE FUSE HOLDER (NOT SHOWN)
23	10-28602	PIGTAIL, NNS CLUTCH (NOT SHOWN)
24	9900522	TERMINAL, RING 14GA 3/8 EYELET CRIMP (NOT SHOWN)
25	9900571	TERMINAL, RING 14GA 9/64 EYELET CRIMP (NOT SHOWN)
26	9900572	TERMINAL, SPADE, MALE (NOT SHOWN)
27	9900614-2	20 AMP STANDARD BLADE FUSE (NOT SHOWN)
28	9900622	CONNECTOR, TAP-IN SPLICE, 18-14 GA (NOT SHOWN)

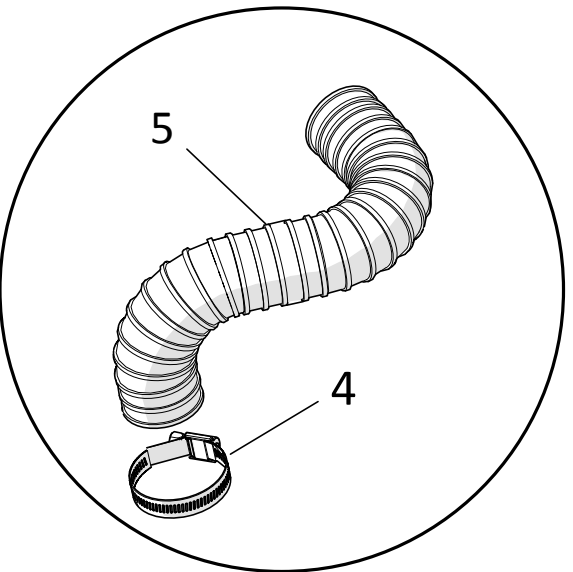
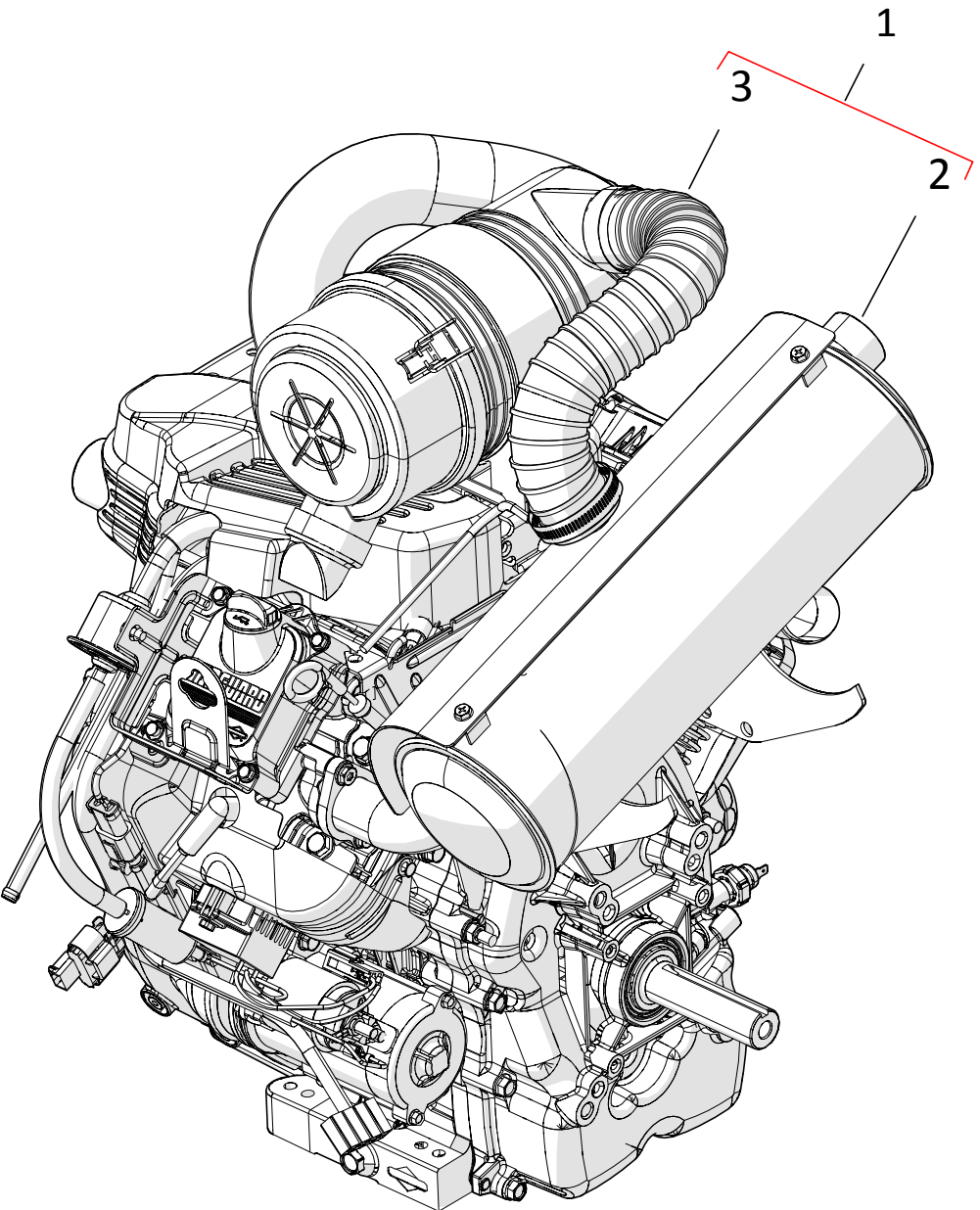
LIGHT KIT, 44 ft (A318)



LIGHT KIT, 44 ft (A318)

ITEM	PART NO.	DESCRIPTION
1	05-A318	LIGHT KIT
2	10-22401	HARNESS & SWITCH BOX ASSY
3	10-22395	FLOOD LAMP, LEDWD-2L20 (INCLUDES HARDWARE)
4	10-22394	MINI FLOOD LAMP, LEDWD-1L10 (INCLUDES HARDWARE)
5	10-22427	LEAD CONNECTOR, DEUTSCH DT06-2S (NOT SHOWN)
6	10-22399	SWITCH BOX ONLY
7	10-22397	CLAMP, 1/4"
8	10-19274	#14 X 5/8" SMS AB GR 5 PLTD
9	10-22286	TRANSPORT CHAIN LUG
10	10-22396	8-18 X 3/4" TEK SCREW
11	10-24355	WEATHERPROOF TOGGLE SWITCH
12	10-22446	FUSE, BUSS AGC 20A (NOT SHOWN)
13	10-22424	WEATHER PACK SHROUD, 1 POS (NOT SHOWN)
14	10-22425	WEATHER PACK TOWER, 1 POS (NOT SHOWN)
15	9900622	CONNECTOR, TAP-IN SPLICE, 16-14 GA (NOT SHOWN)
16	10-23129	ENGINE POWER SPLICE HARNESS (NOT SHOWN)

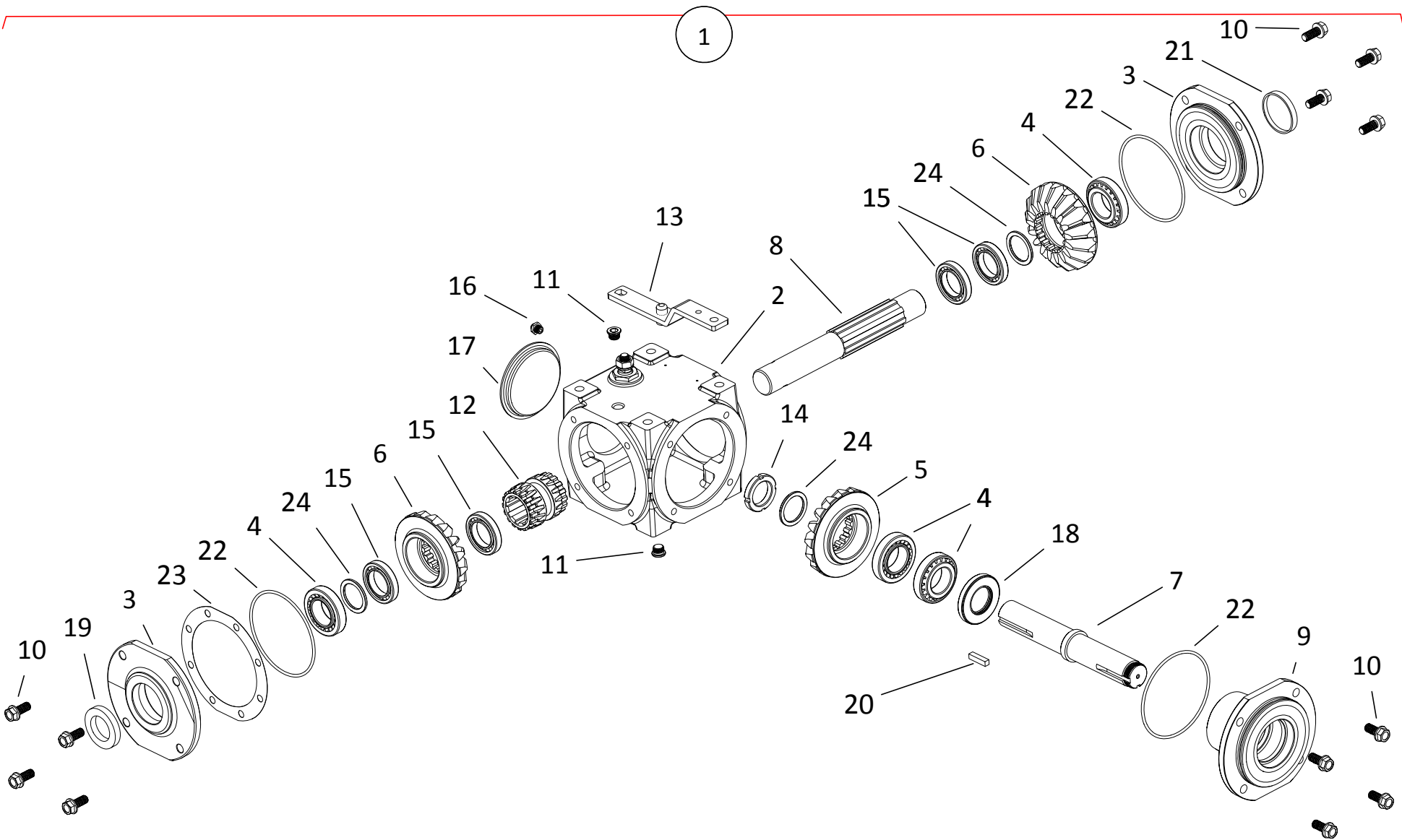
VANGUARD COLD WEATHER KIT (23746)



VANGUARD COLD WEATHER KIT (23746)

ITEM	PART NO.	DESCRIPTION
1	10-23746	VANGUARD COLD WEATHER KIT W/MUFFLER
2	10-23620	VANGUARD MUFFLER
3	10-23633	VANGUARD COLD WEATHER KIT
4	10-23732	HOSE CLAMP, NON SLIP, SAE 32
5	10-23738	2" HIGH TEMP DUCTING - 16" LONG

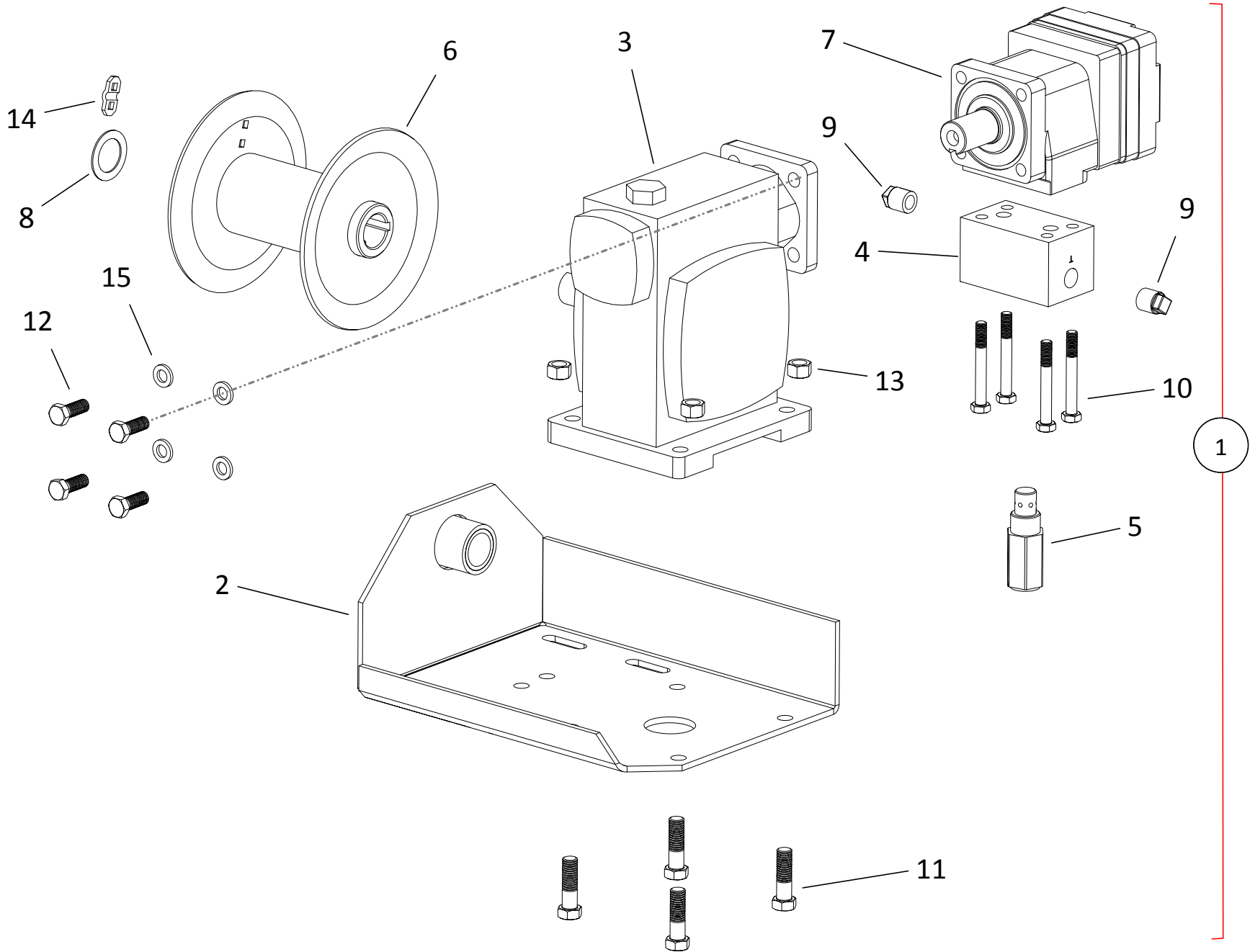
REVERSIBLE GEARBOX (29322)



REVERSIBLE GEARBOX (29322)

ITEM	PART NO.	DESCRIPTION
1	10-29322	REVERSIBLE LARGE SD GEARBOX
2	10-22038	HOUSING
3	10-18423	GEARBOX CAP
4	10-19265	CONE BEARING
4	10-19266	CUP
5	10-18428	GEARBOX GEAR
6	10-22055	GEAR DP 4 TEETH 17, NO KEYWAY
7	10-22040	SHAFT, QUILL
8	10-22041	SHAFT, CROSS
9	10-18422	GEARBOX PINION HOUSING
10	10-19955	3/8" X 1" NC BOLT GR 5 BLACK
11	10-18394	1/4 VENT GEARBOX PLUG
12	10-22044	SPLINE BUSHING
13	10-22045	SHIFTER ASSEMBLY
14	10-22046	LOCKNUT, M30 X 1.5
15	10-22047	BEARING, 16006
16	10-22048	1/8" NPT RELIEF PLUG
17	10-17177	GEARBOX COVER/STAMPING
18	10-18427	SEAL
19	10-18403	GEARBOX SEAL
20	10-18425	SQUARE KEY, 1/4" X 1-1/8"
21	10-18963	GEARBOX EXPANSION PLUG
22	10-27701	O-RING, 105 x 3.1MM
23	10-18553	GASKET, GEARBOX SHIM
24	10-22042	RETAINING SHIM

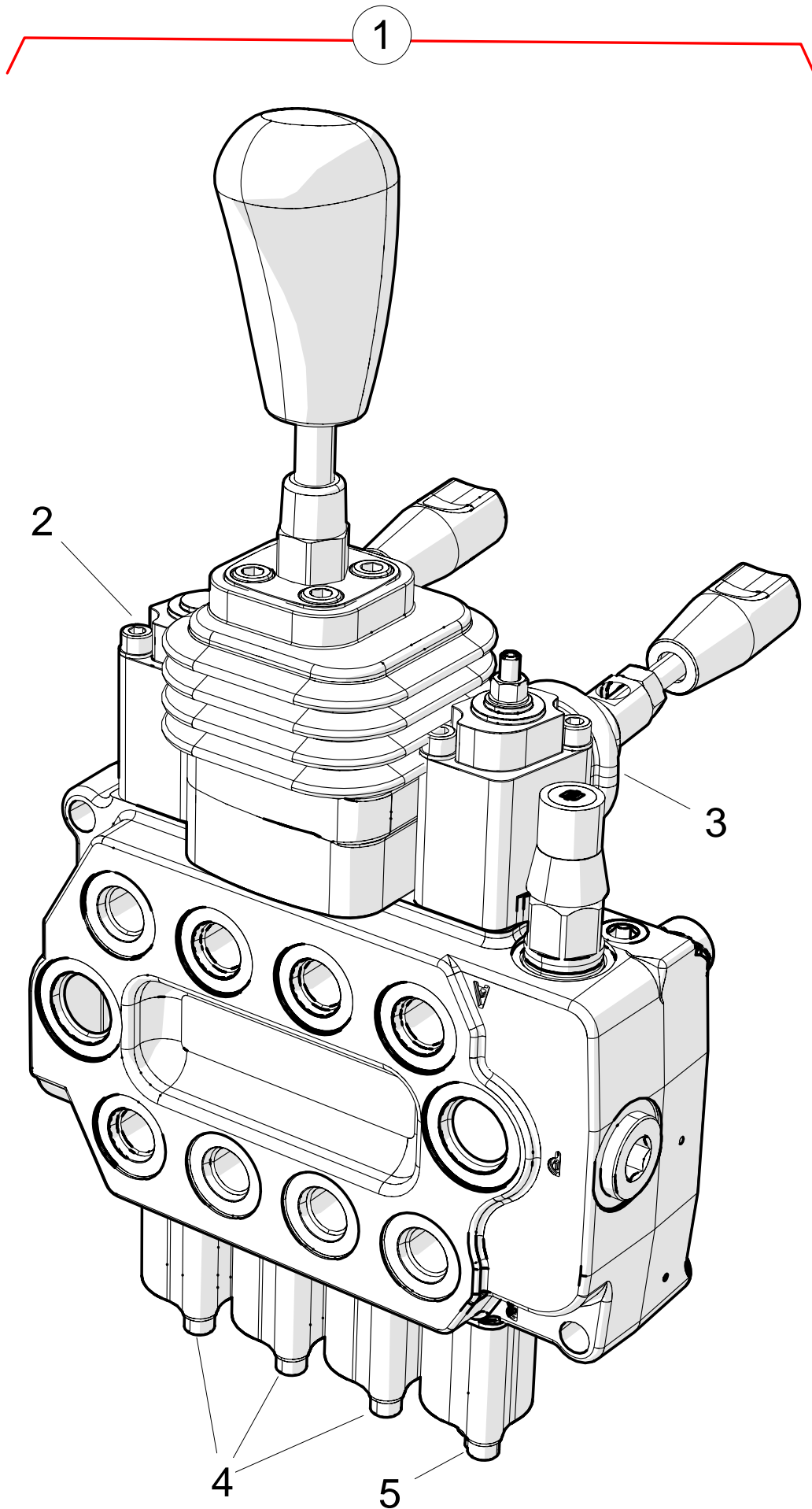
HYDRAULIC WINCH (23515)



HYDRAULIC WINCH (23515)

ITEM	PART NO.	DESCRIPTION
1	10-23515	HYDRAULIC WINCH ASSEMBLY, RED
2	10-17628	HYD WINCH FRAME ASSEMBLY, RED
3	10-17625	HYDRAULIC WINCH GEARBOX
4	10-28221	HYD MOTOR BYPAS VALVE
5	10-28222	RELIEF VALVE
6	10-17629	HYD WINCH DRUM, RED
7	10-17626	HYDRAULIC MOTOR
8	10-18097	1" RIM WASHER PLTD
9	0308013	3/8" NPT PLASTIC PLUG
10	10-17631	5/16" X 2-1/2" NC BOLT GR 2 PLTD
11	10-28744	7/16" X 1-1/2" NC BOLT GR 5 PLTD
12	10-18955	3/8" X 1" NC BOLT GR 5 PLTD
13	10-19598	7/16" NC NYLON LOCKNUT GR 2 PLTD
14	10-18496	WINCH KEEPER KIT
15	10-19604	3/8" LOCK WASHER PLTD

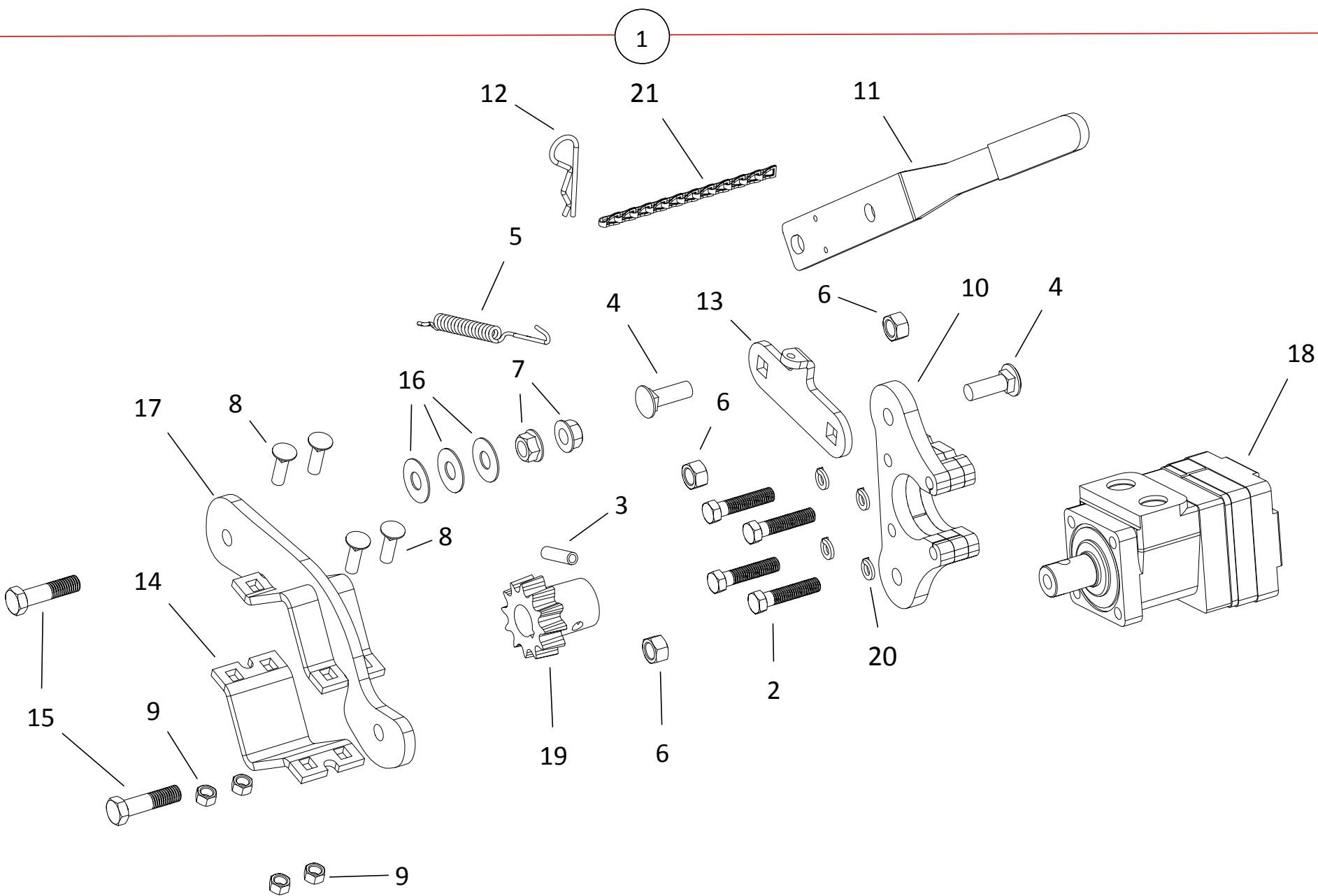
VALVE (22441)



VALVE (22441)

ITEM	PART NO.	DESCRIPTION
1	10-22441	VALVE-4SPL W/JOYSTICK W/4 HANDLES
2	10-20401	SALAMI LEVER BOX KIT
3	10-23711	SALAMI LEVER BOX KIT W/STROKE LIMIT
4	10-23726	SPOOL SPRING RETURN KIT
5	10-23733	SPRING CENTER TO NEUTRAL KIT

SP KIT GEAR DRIVE COMPONENTS



SP KIT GEAR DRIVE COMPONENTS

ITEM	PART NO.	DESCRIPTION
1	0200015EL	OC ASSY COMPLETE W/ MTR/PIN, LH
1	0200015ER	OC ASSY COMPLETE W/ MTR/PIN, RH
2	10-27979	3/8" X 2" NC BOLT GR 5 PLTD
3	10-28260	ROLL PIN, 3/8" X 1-1/2"
4	10-17807	1/2"X1-1/2"CARRIAGE BOLT GR 2 PLTD
5	10-28186	HANDLE SPRING
6	10-22267	1/2" 2-WAY LOCK NUT PLTD
7	10-28261	1/2" SERRATED FLANGE NUT GR 2 PLTD
8	9900980	3/8" X 1-1/4" CARRIAGE BOLT GR5 PLT
9	10-17402	3/8" NC NYLON LOCKNUT PLTD
10	10-29947	EYEGLASS, SP KIT
11	10-28188	HANDLE W/ GRIP
12	10-19463	210 HITCH PIN
13	10-28185	HANDLE LINK ARM
14	0200347	AXLE CLAMP,BOLT ON 2.5" SQR TUB
15	10-27816	1/2" X 2" NC BOLT GR 5 PLTD
16	10-17401	1/2" FLAT WASHER PLTD
17	0200348	SQUARE AXLE CLAMP 2.5",BOLT ON TOP
18	10-28183	ORBIT HYDRAULIC MOTOR
19	10-28181	PINION GEAR W/ ROLL PIN
20	10-19604	3/8" LOCK WASHER PLTD
21	10-22272	CHAIN, DRIVE LOCK



P.O. Box 39

Rosenort, Manitoba, R0G 1W0 Canada

Phone: (866) 467-7207 (Canada & USA) or (204) 746-2396

Fax: (866) 768-4852

website: www.grinaugers.com

email: sales@grinaugers.com

© Ag Growth International Inc. 2020

Printed in Canada