



WESTFIELD

PARTS MANUAL

WC15 SERIES CONVEYORS

BOX 39, ROSENORT, MANITOBA, CANADA R0G 1W0
PHONE: (866) 467-7207 (CANADA & USA)
FAX: (866) 768-4852
WEBSITE: WWW.GRAINAUGERS.COM
EMAIL: SALES@GRAINAUGERS.COM

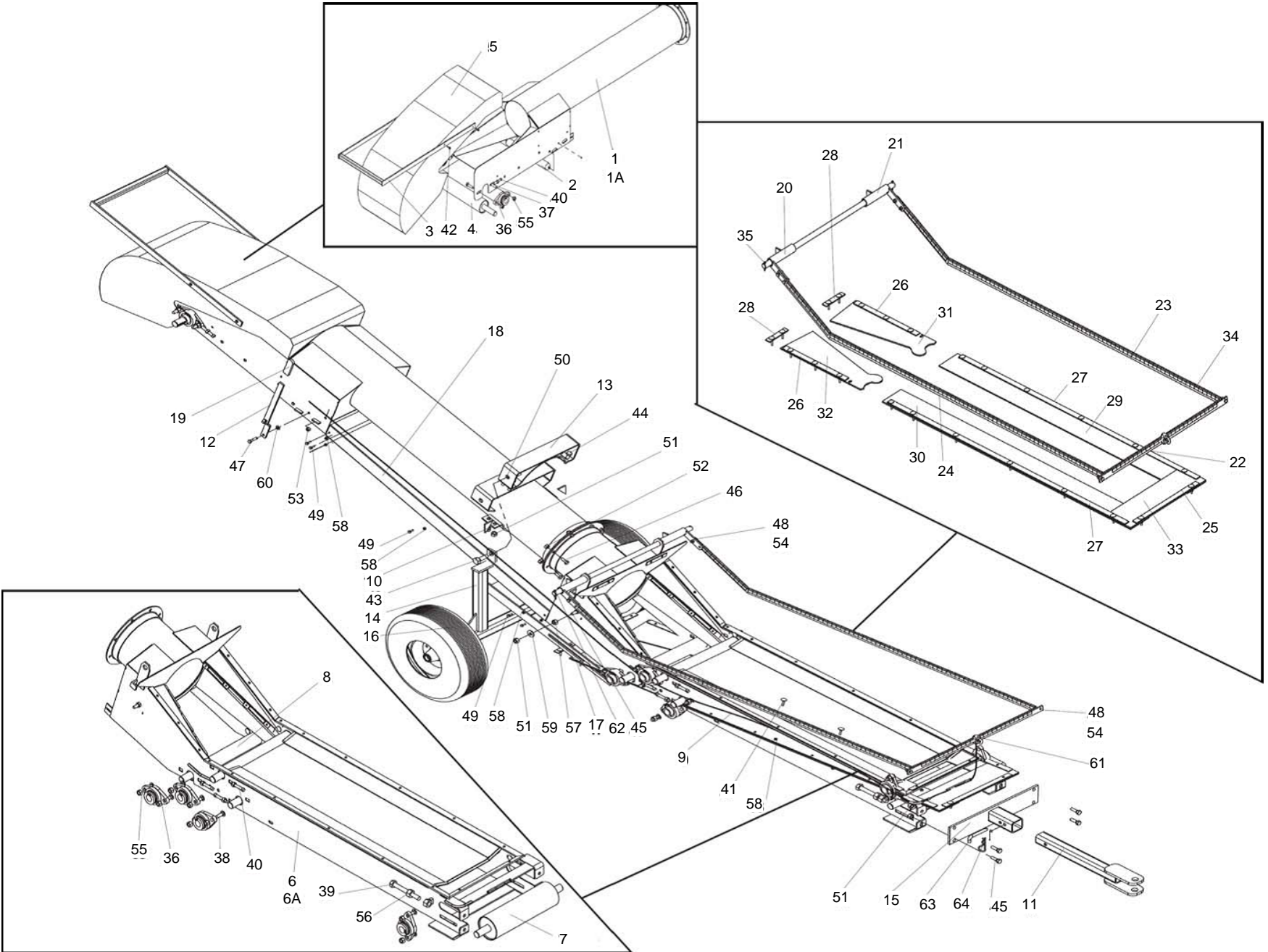


REVISED: 14/07/2015

TABLE OF CONTENTS

DESCRIPTION	PAGE
PARTS KIT: WC1515 TRANSFER	4
BASIC TUBES: WC1570	8
BASIC TUBES: WC1580	12
BASIC TUBES: WC1590	16
BASIC FRAME: WC1570	20
BASIC FRAME: WC1580	24
BASIC FRAME: WC1590	28
EMD (ELECTRIC MOTOR DRIVE): WC1570, WC1580, WC1590	32
PTO DRIVE: WC1570, WC1580, WC1590	34
ELECTRIC TOP DRIVE, WC1515 TRANSFER	36
HYDRAULIC TOP DRIVE, WC1515 TRANSFER	38

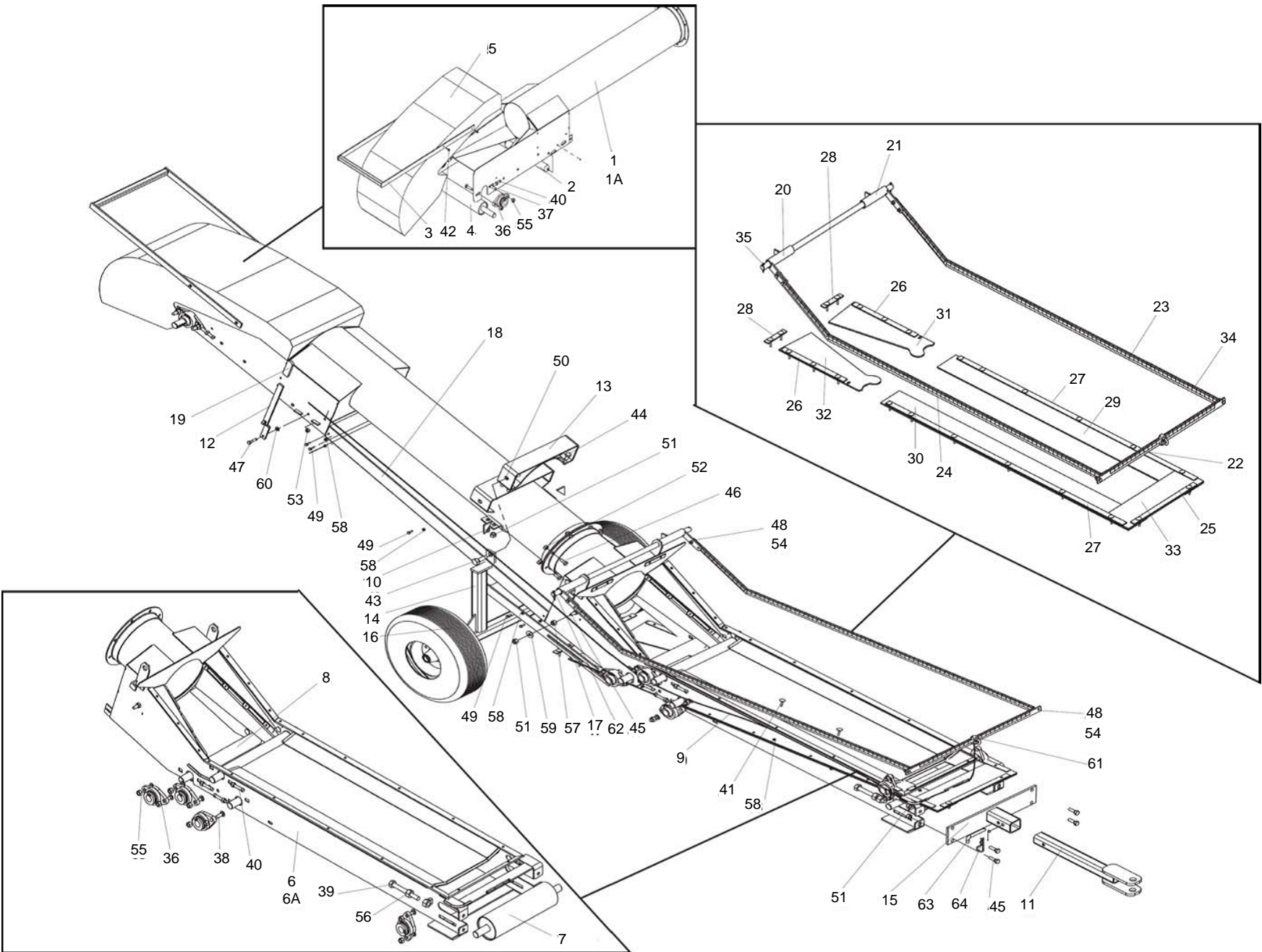
PARTS KIT: WC1515 TRANSFER



PARTS KIT: WC1515 TRANSFER

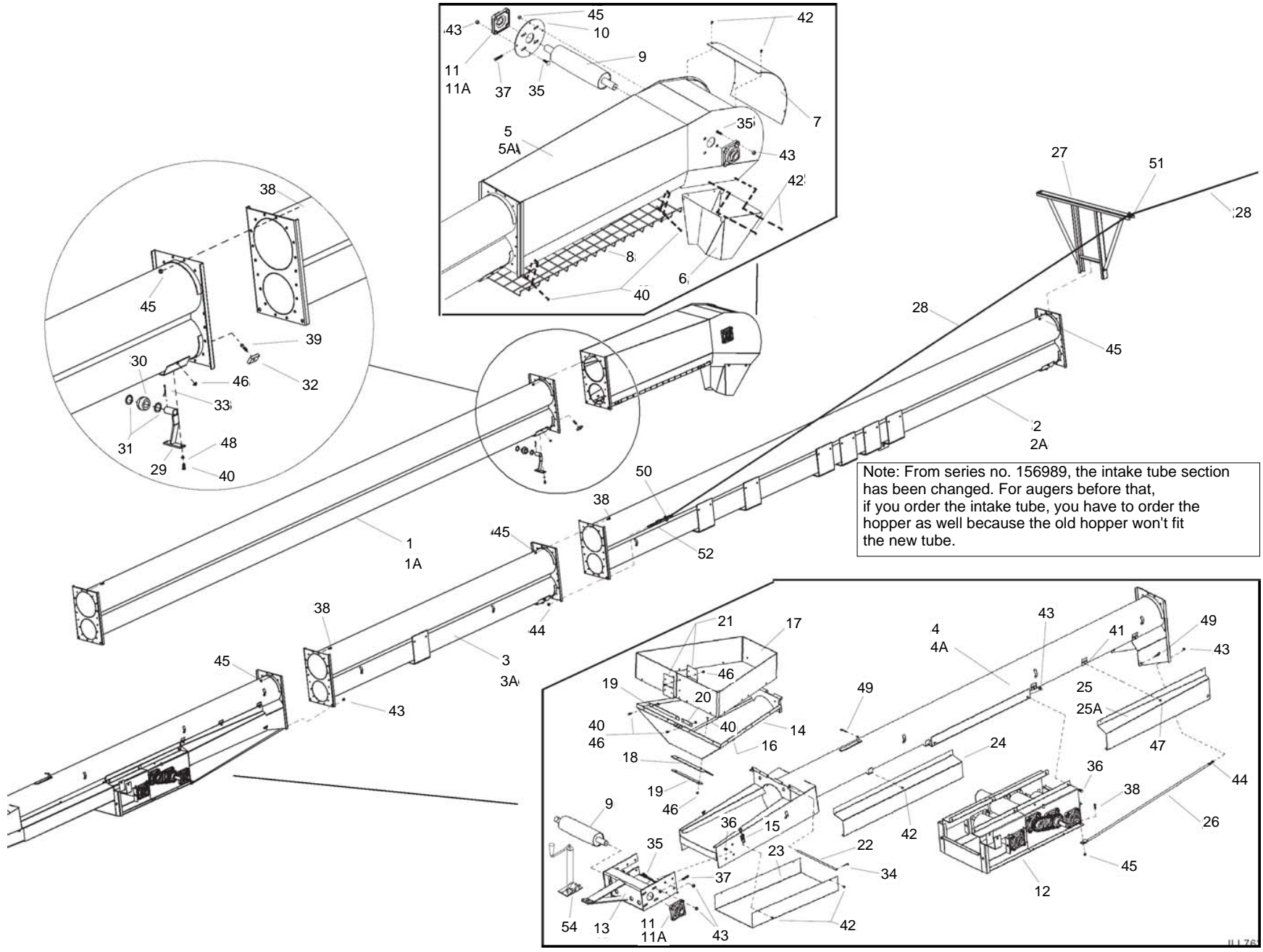
ITEM	PART NO.	DESCRIPTION
1A	10-27226	Transfer spout tube bundle
1	10-27343	Transfer spout tube
2	10-27366	Roller 15 - 1/8" X 1-3/4"
3	10-27362	Transfer spout handle
4	10-27365	Spout drive roller
5	10-27364	15" Series transfer hood
6A	10-27225	Transfer hopper tube bundle
6	10-27346	Transfer hopper tube
7	10-27347	Takeup roller
8	10-27348	Transition roller
9	10-27388	1/8" Cable, 13' 8" long
10	10-27370	3" U Clamp
11	10-27367	Straight tongue
12	10-27389	Hopper handle
13	10-27371	Suspension bracket
14	10-27372	Transfer frame
15	10-27368	Transfer hitch
16	10-27373	5.7 X 8 Tire
17	10-27369	Transfer wheel adjust
18	10-27099	1515 Windguard
19	10-27390	Rubber handle cover 1/4" X 1"
20	10-27392	Hopper pivot shaft, right
21	10-27391	Hopper pivot shaft, left
22	10-27357	Trans upper cloth flat
23	10-27344	Upper cloth arm-LH
24	10-27345	Upper cloth arm-RH
25	10-27358	Cloth mount cross
26	10-27360	Cloth mount upper side
27	10-27359	Cloth mount side
28	10-27361	Cloth mount top
29	10-27353	Flashing - left side
30	10-27354	Flashing - right side
31	10-27351	Flashing - left back
32	10-27352	Flashing - right back
33	10-27355	Flashing - front
34	10-27374	Trimlock
35	10-27363	Pivot shaft rod
36	10-27246	1-1/4" Bearing + flange
37	10-27387	Carriage bolt, 1/2" X 2"
38	10-17807	Carriage bolt, 1/2" X 1-1/2"
39	10-27350	Bolt tap, 3/4" X 5"
40	10-27349	SQ HD Setscrew, 7/16" X 2-1/2"
41	10-27379	Elevator bolt, 1/4" X 1-1/4"
42	10-27382	Teks, 1"
43	10-19592	Bolt, 3/4" - 10 X 2", grade 5
44	10-27380	Bolt, 1/2" - 13 X 2-1/2", grade 5
45	10-19589	Bolt, 1/2" - 13 X 1-1/2", grade 5
46	10-19542	Bolt, 7/16" - 14 X 1", grade 5
47	10-27378	Bolt, 3/8" - 16 X 1-1/2", grade 5
48	10-18091	Bolt, 5/16" - 18 X 1", grade 2

PARTS KIT: WC1515 TRANSFER



PARTS KIT: WC1515 TRANSFER

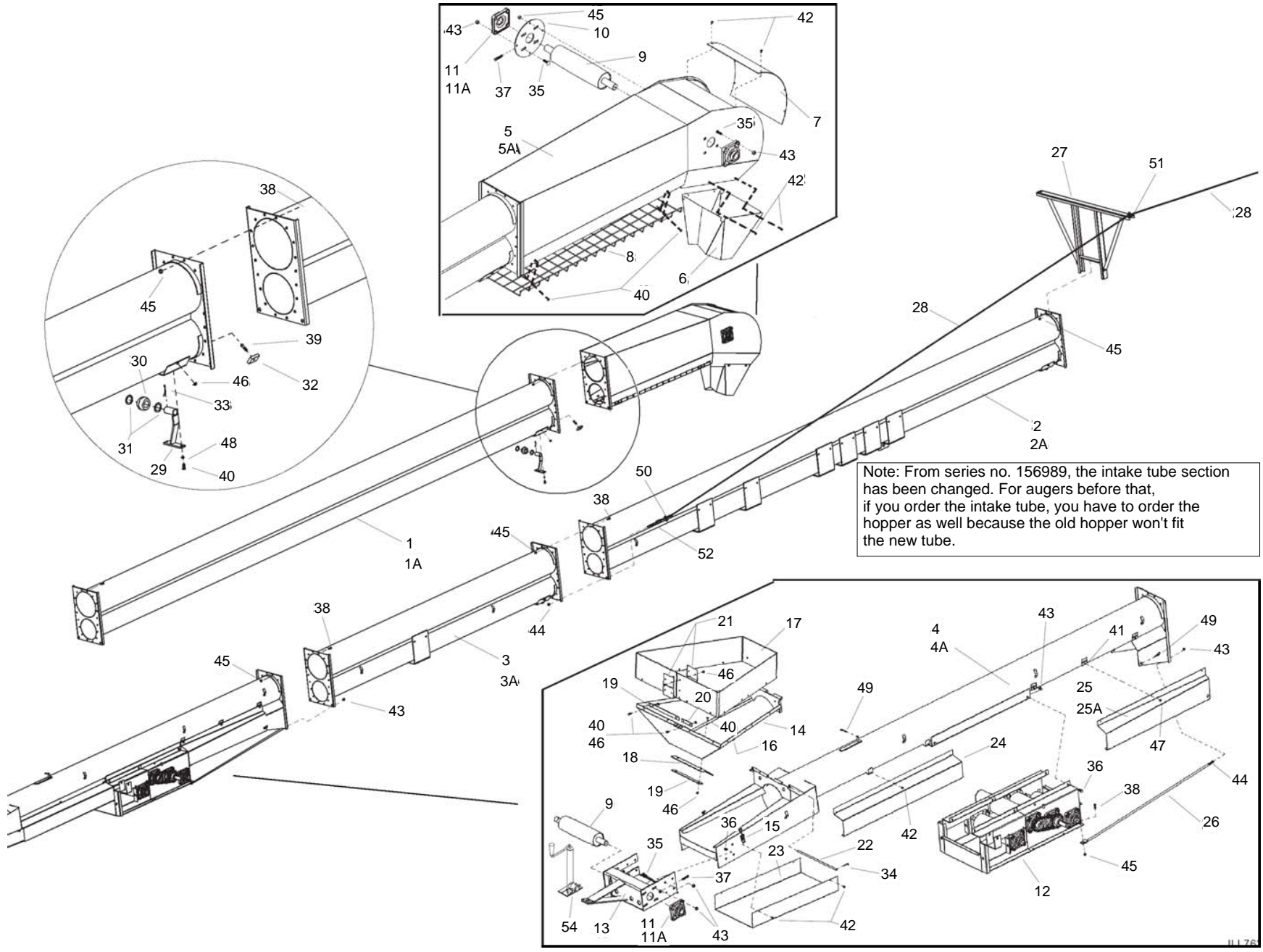
ITEM	PART NO.	DESCRIPTION
49	10-27377	Bolt, 1/4" - 20 X 3/4", grade 5
50	10-19601	Nylon locknut, 3/4" - 10
51	10-19599	Nylon locknut, 1/2" - 13
52	10-19598	Nylon locknut, 7/16" - 14
53	10-17402	Nylon locknut, 3/8" - 16
54	10-19980	Nylon locknut, 5/16" - 18
55	10-19599	Nylon locknut, 1/2" - 13
56	10-19997	Hex nut, 3/4" - 10
57	10-19602	Hex nut, 1/2" - 13
58	10-27381	Hex nut, 1/4" - 20
59	10-17401	Flat washer, 1/2"
60	10-27386	Nylon washer, 3/8"
61	10-27385	Cable clamp, 1/8"
62	10-27384	Cotter pin, 5/32" X 1-1/2"
63	10-19648	Pin hitch, 1/2" X 3"
64	10-19463	Hair pin
65	10-27393	Left spring (not shown in the drawing)
66	10-27394	Right spring (not shown in the drawing)
67	10-27375	Belt
68	10-17995	Belt lacing kit (c/w lacing, pin & washers)



Note: From series no. 156989, the intake tube section has been changed. For augers before that, if you order the intake tube, you have to order the hopper as well because the old hopper won't fit the new tube.

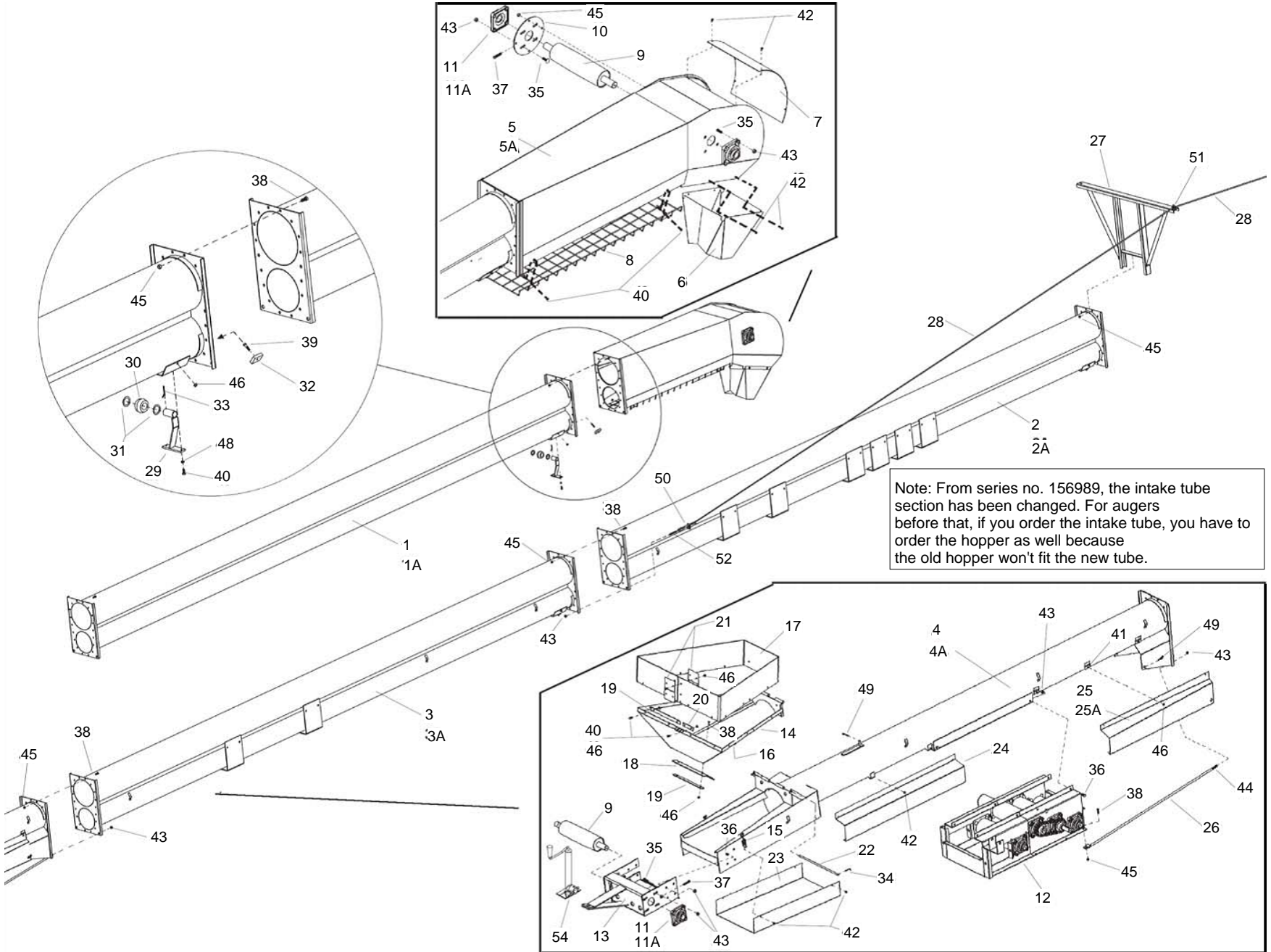
BASIC TUBES: WC1570

ITEM	PART NO.	DESCRIPTION
1	10-17787	Upper tube section (20')
1A	10-17855	Upper tube bundle (20'), as shipped
2	10-17907	Middle tube section (20')
2A	10-17910	Middle tube bundle (20'), as shipped
3	10-17909	Lower tube section (10')
3A	10-17912	Lower tube bundle (10'), as shipped
4	10-17782	Intake tube section
4A	10-17784	Intake tube bundle, as shipped
5	10-17850	Discharge section
5A	10-17851	Discharge section, as shipped
6	10-17777	Discharge spout
7	10-17775	Discharge endplate
8	10-17849	Discharge mesh
9	10-27064	End roller
10	10-17776	Bearing cover
11	10-17292	1-1/2" Bearing w/4-bolt flange
11A	10-17761	1-1/2" Bearing, less flange
12	10-17783	Drive unit, as shipped (see page K17 for parts breakdown)
13	10-17785	Skid plate, WC15
14	10-17786	Hopper
15	10-17798	Hopper latch
16	10-17799	Hopper catch
17	10-17790	Rubber belting - hopper
18	10-17791	Rubber sealing strip
19	10-18054	Attach strap, 13"
20	10-18878	Attach strap, 4-1/2"
21	10-17793	Belting connector
22	10-17853	Hopper hinge rod
23	10-17903	Bottom shield
24	10-17794	Lower drive shield
25	10-17795	Upper drive shield - RH
25A	10-17796	Upper drive shield - LH
26	10-17870	Drive brace rod
27	10-17778	Truss support bracket
28	10-17815	5/16" Truss cable, 41' 5" long
29	10-17789	Tube belt guide
30	10-18691	Wood bearing, 1-1/4"
31	10-17651	Rim washer, 1-1/4"
32	10-17792	Belt guide wear block
33	10-19271	Cotter pin, 1/8" x 1-1/2"
34	10-18155	Cotter pin, 3/16" x 1-1/4"
35	10-17807	Carriage bolt, 1/2" - 13 x 1-1/2", grade 5
36	10-19588	Bolt, 1/2" - 13 x 1-1/4", grade 5
37	10-17819	Setscrew, 7/16" - 14 x 2", grade 8
38	10-19542	Bolt, 7/16" - 14 x 1", grade 5
39	10-17748	Bolt, 5/16" - 18 x 1-1/4", grade 2
40	10-19538	Bolt, 5/16" - 18 x 3/4", grade 5
41	10-19537	Bolt, 1/4" - 20 x 1/2", grade 5
42	10-19274	self-tapping screw, #14 x 5/8" w/washerhead
43	10-19599	Locknut, 1/2" - 13



BASIC TUBES: WC1570

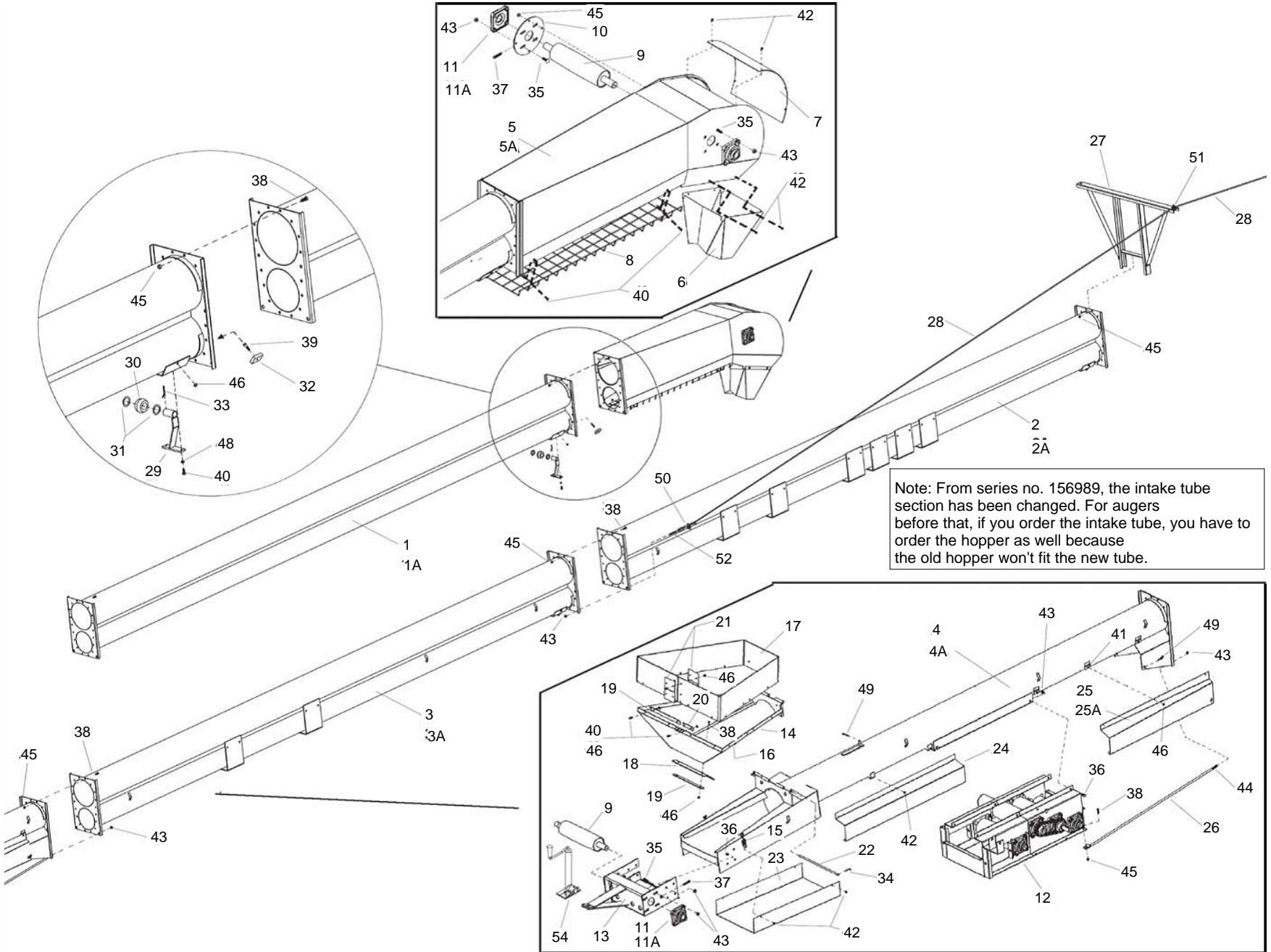
ITEM	PART NO.	DESCRIPTION
44	10-19602	Hex nut, 1/2" - 13
45	10-19598	Locknut, 7/16" - 14
46	10-19595	Washer locknut 5/16" - 18
47	10-19594	Washer locknut 1/4" - 20
48	10-19603	Lockwasher, 5/16"
49	10-19463	Hair pin
50	10-19333	5/16" Cable clamp
51	10-19147	1/4" Cable clamp
52	10-19331	Eyebolt, 1/2" - 13 x 5" w/locknut
53	10-17809	WC1570 chevron belting (c/w lacing, pin & washers)
53A	10-17995	WC15 belt lacing kit (c/w lacing, pin & washers)
54	10-17803	WC15 Jack
55	10-17830	WC1570 decal
56	10-17829	4-7/8" Westfield decal (red/black)
57	10-17986	Basic crate



Note: From series no. 156989, the intake tube section has been changed. For augers before that, if you order the intake tube, you have to order the hopper as well because the old hopper won't fit the new tube.

BASIC TUBES: WC1580

ITEM	PART NO.	DESCRIPTION
1	10-17787	Upper tube section (20')
1A	10-17855	Upper tube bundle (20'), as shipped
2	10-17907	Middle tube section (20')
2A	10-17910	Middle tube bundle (20'), as shipped
3	10-17908	Lower tube section (20')
3A	10-17911	Lower tube bundle (20'), as shipped
4	10-17782	Intake tube section
4A	10-17784	Intake tube bundle, as shipped
5	10-17850	Discharge section
5A	10-17851	Discharge section, as shipped
6	10-17777	Discharge spout
7	10-17775	Discharge endplate
8	10-17849	Discharge mesh
9	10-27064	End roller
10	10-17776	Bearing cover
11	10-17292	1-1/2" Bearing w/4-bolt flange
11A	10-17761	1-1/2" Bearing, less flange
12	10-17783	Drive unit, as shipped (see THIS SECTION for parts breakdown)
13	10-17785	Skid plate, WC15
14	10-17786	Hopper
15	10-17798	Hopper latch
16	10-17799	Hopper catch
17	10-17790	Rubber belting - hopper
18	10-17791	Rubber sealing strip
19	10-18054	Attach strap, 13"
20	10-18878	Attach strap, 4-1/2"
21	10-17793	Belting connector
22	10-17853	Hopper hinge rod
23	10-17903	Bottom shield
24	10-17794	Lower drive shield
25	10-17795	Upper drive shield - RH
25A	10-17796	Upper drive shield - LH
26	10-17870	Drive brace rod
27	10-17778	Truss support bracket
28	10-17815	5/16" Truss cable, 41' 5" long
29	10-17789	Tube belt guide
30	10-18691	Wood bearing, 1-1/4"
31	10-17651	Rim washer, 1-1/4"
32	10-17792	Belt guide wear block
33	10-19271	Cotter pin, 1/8" x 1-1/2"
34	10-18155	Cotter pin, 3/16" x 1-1/4"
35	10-17807	Carriage bolt, 1/2" - 13 x 1-1/2", grade 5
36	10-19588	Bolt, 1/2" - 13 x 1-1/4", grade 5
37	10-17819	Setscrew, 7/16" - 14 x 2", grade 8
38	10-19542	Bolt, 7/16" - 14 x 1", grade 5
39	10-17748	Bolt, 5/16" - 18 x 1-1/4", grade 2
40	10-19538	Bolt, 5/16" - 18 x 3/4", grade 5
41	10-19537	Bolt, 1/4" - 20 x 1/2", grade 5
42	10-19274	self-tapping screw, #14 x 5/8" w/washerhead
43	10-19599	Locknut, 1/2" - 13

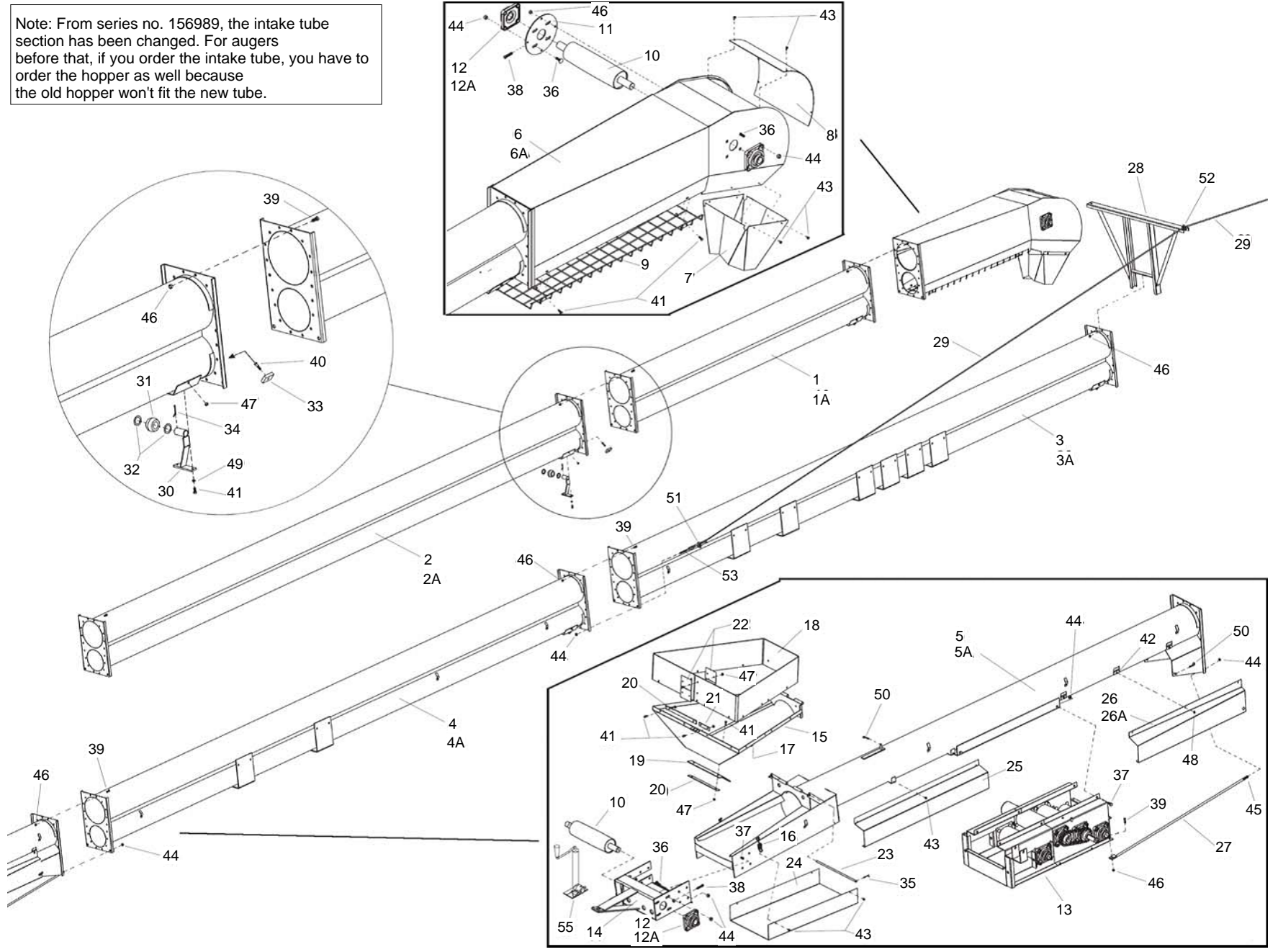


Note: From series no. 156989, the intake tube section has been changed. For augers before that, if you order the intake tube, you have to order the hopper as well because the old hopper won't fit the new tube.

BASIC TUBES: WC1580

ITEM	PART NO.	DESCRIPTION
44	10-19602	Hex nut, 1/2" - 13
45	10-19598	Locknut, 7/16" - 14
46	10-19595	Washer locknut 5/16" - 18
47	10-19594	Washer locknut 1/4" - 20
48	10-19603	Lockwasher, 5/16"
49	10-19463	Hair pin
50	10-19333	5/16" Cable clamp
51	10-19147	1/4" Cable clamp
52	10-19331	Eyebolt, 1/2" - 13 x 5" w/locknut
53	10-17810	WC1580 chevron belting (c/w lacing, pin & washers)
53A	10-17995	WC15 belt lacing kit (c/w lacing, pin & washers)
54	10-17803	WC15 Jack
55	10-17831	WC1580 decal
56	10-17829	4-7/8" Westfield decal, red/black

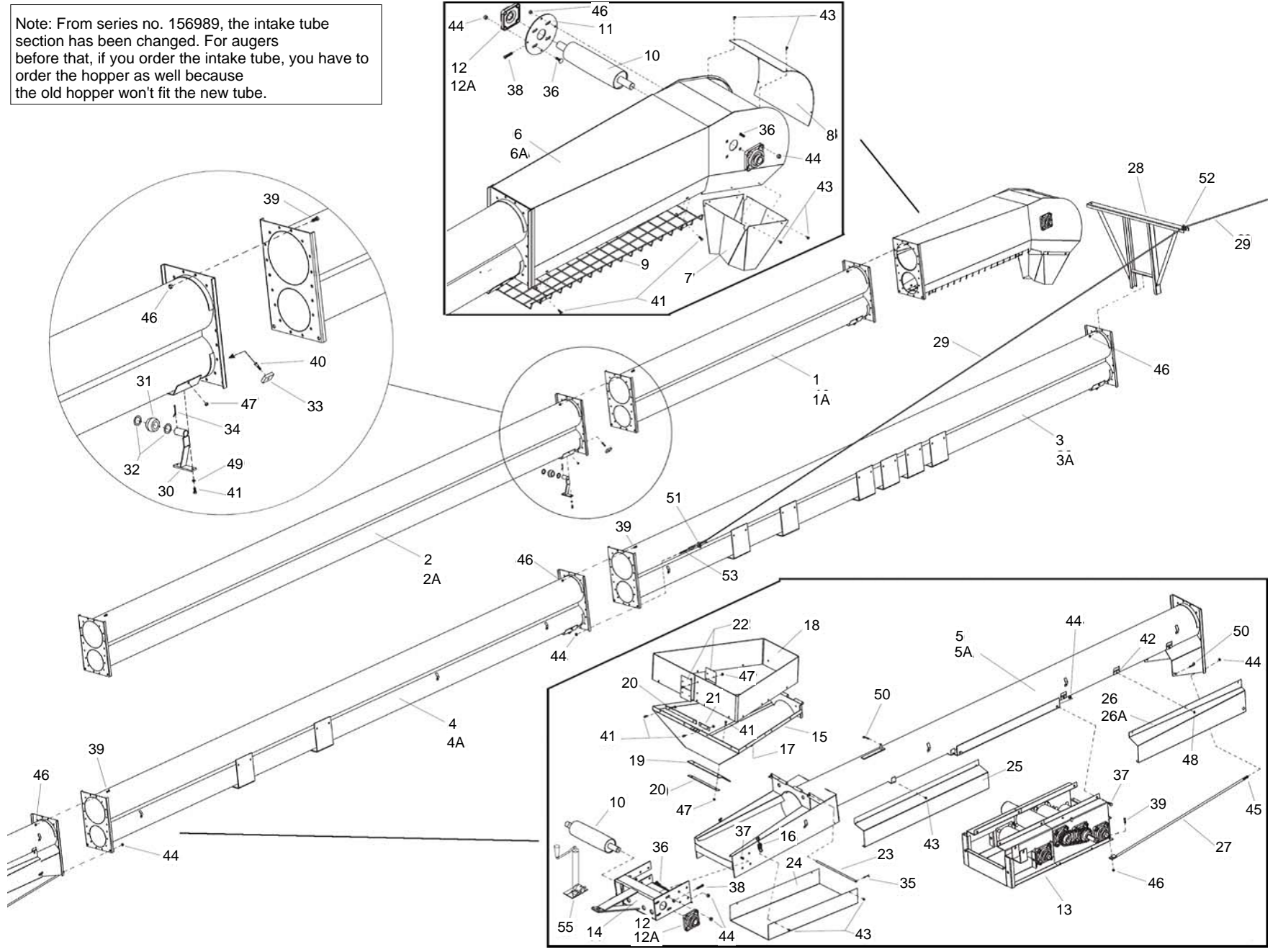
Note: From series no. 156989, the intake tube section has been changed. For augers before that, if you order the intake tube, you have to order the hopper as well because the old hopper won't fit the new tube.



BASIC TUBES: WC1590

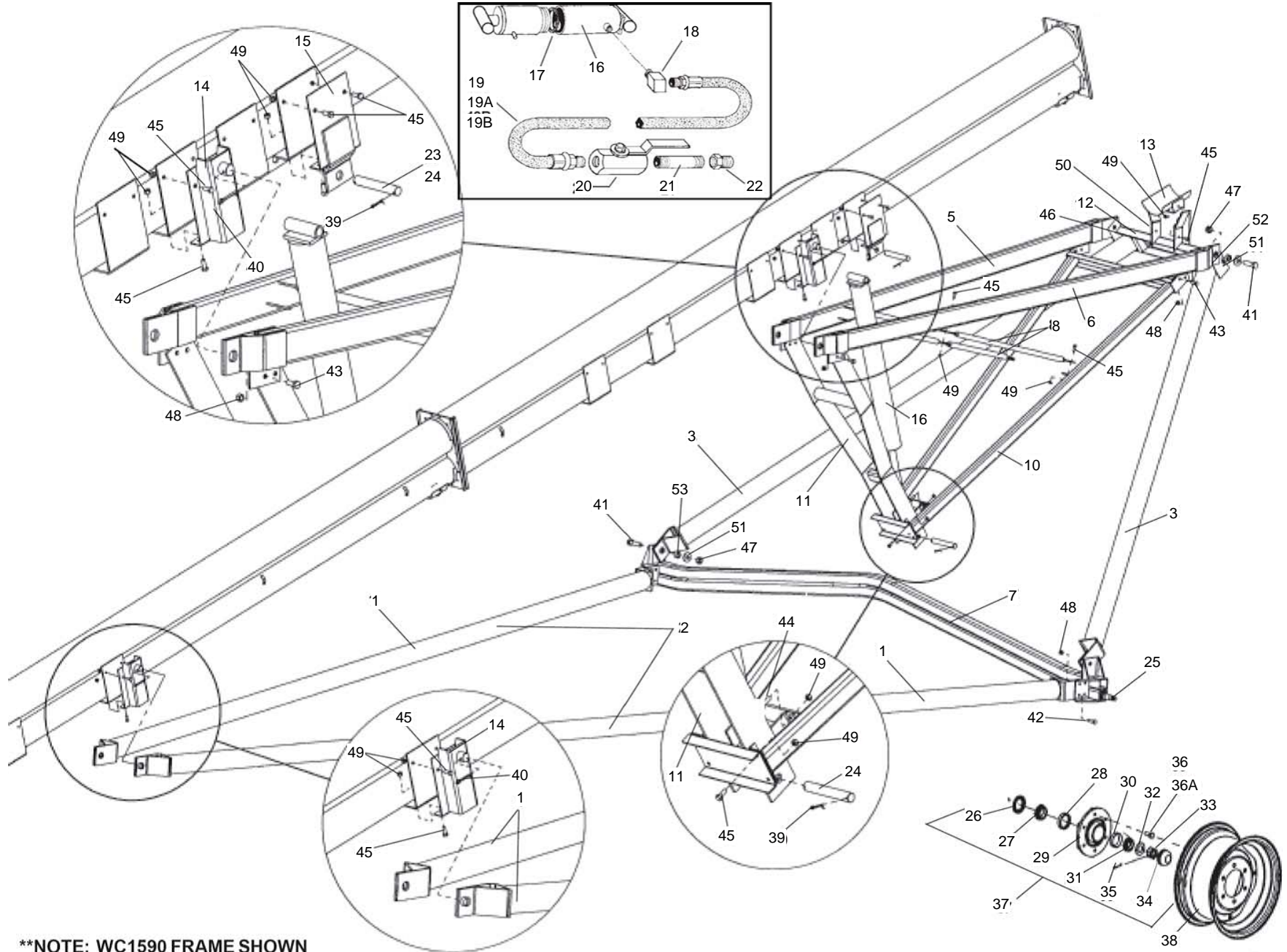
ITEM	PART NO.	DESCRIPTION
1	10-17788	Upper tube section (10')
1A	10-17856	Upper tube bundle (10'), as shipped
2	10-17787	Upper tube section (20')
2A	10-17855	Upper tube bundle (20'), as shipped
3	10-17907	Middle tube section (20')
3A	10-17910	Middle tube bundle (20'), as shipped
4	10-17908	Lower tube section (20')
4A	10-17911	Lower tube bundle (20'), as shipped
5	10-17782	Intake tube section
5A	10-17784	Intake tube bundle, as shipped
6	10-17850	Discharge section
6A	10-17851	Discharge section, as shipped
7	10-17777	Discharge spout
8	10-17775	Discharge endplate
9	10-17849	Discharge mesh
10	10-27064	End roller
11	10-17776	Bearing cover
12	10-17292	1-1/2" Bearing w/ 4-bolt flange
12A	10-17761	1-1/2" Bearing, less flange
13	10-17783	Drive unit, as shipped (see page K17 for parts breakdown)
14	10-17785	Skid plate, WC15
15	10-17786	Hopper
16	10-17798	Hopper latch
17	10-17799	Hopper catch
18	10-17790	Rubber belting - hopper
19	10-17791	Rubber sealing strip
20	10-18054	Attach strap, 13"
21	10-18878	Attach strap, 4-1/2"
22	10-17793	Belting connector
23	10-17853	Hopper hinge rod
24	10-17903	Bottom shield
25	10-17794	Lower drive shield
26	10-17795	Upper drive shield - RH
26A	10-17796	Upper drive shield - LH
27	10-17870	Drive brace rod
28	10-17778	Truss support bracket
29	10-17915	5/16" Truss cable, 51' 5" long
30	10-17789	Tube belt guide
31	10-18691	Wood bearing, 1-1/4"
32	10-17651	Rim washer, 1-1/4"
33	10-17792	Belt guide wear block
34	10-19271	Cotter pin, 1/8" x 1-1/2"
35	10-18155	Cotter pin, 3/16" x 1-1/4"
36	10-17807	Carriage bolt, 1/2" - 13 x 1-1/2", grade 5
37	10-19588	Bolt, 1/2" - 13 x 1-1/4", grade 5
38	10-17819	Setscrew, 7/16" - 14 x 2", grade 8
39	10-19542	Bolt, 7/16" - 14 x 1", grade 5
40	10-17748	Bolt, 5/16" - 18 x 1-1/4", grade 2
41	10-19538	Bolt, 5/16" - 18 x 3/4", grade 5
42	10-19537	Bolt, 1/4" - 20 x 1/2", grade 5

Note: From series no. 156989, the intake tube section has been changed. For augers before that, if you order the intake tube, you have to order the hopper as well because the old hopper won't fit the new tube.



BASIC TUBES: WC1590

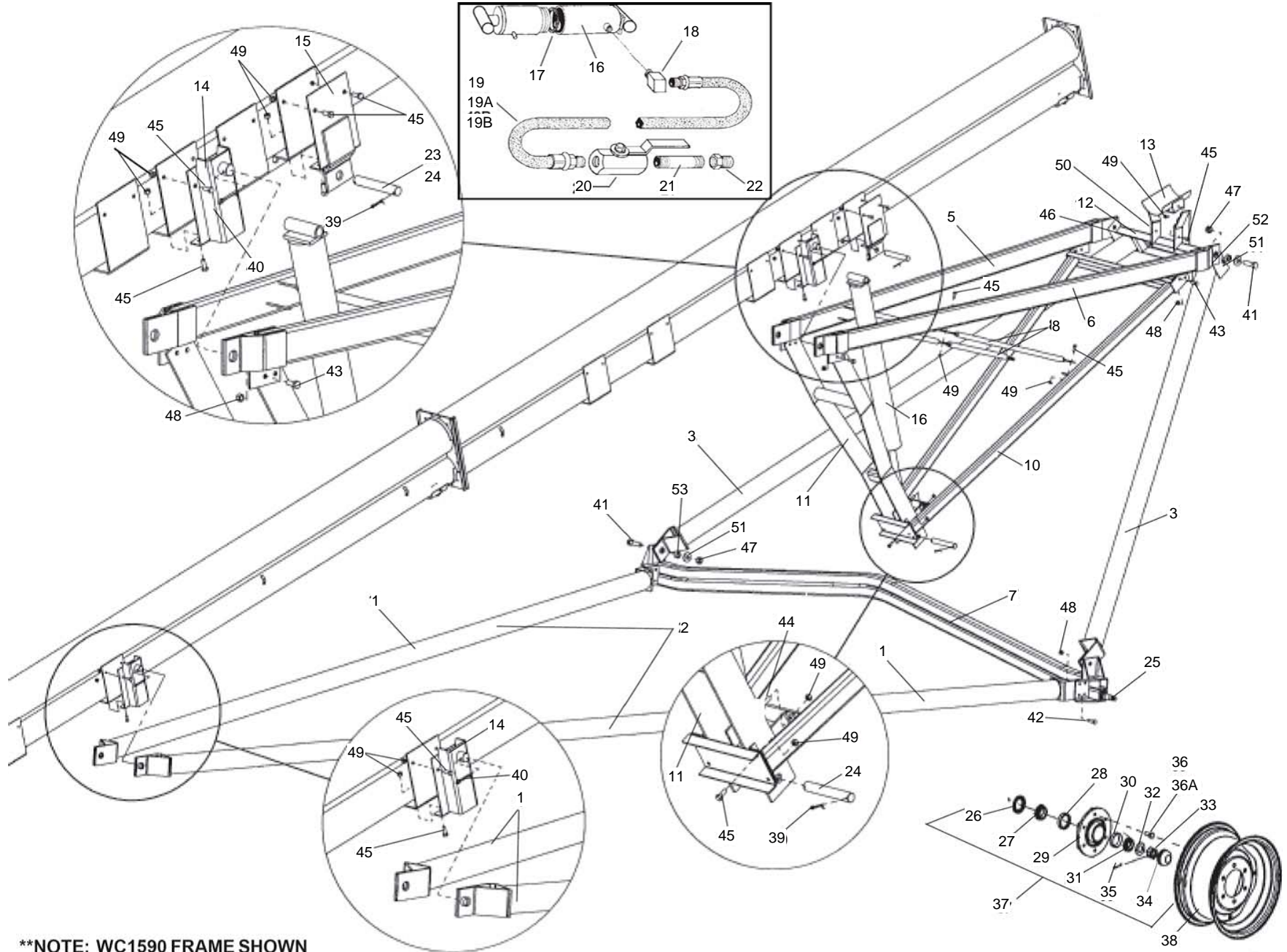
ITEM	PART NO.	DESCRIPTION
43	10-19274	self-tapping screw, #14 x 5/8" w/ washerhead
44	10-19599	Locknut, 1/2" - 13
45	10-19602	Hex nut, 1/2" - 13
46	10-19598	Locknut, 7/16" - 14
47	10-19595	Washer locknut 5/16" - 18
48	10-19594	Washer locknut 1/4" - 20
49	10-19603	Lockwasher, 5/16"
50	10-19463	Hair pin
51	10-19333	5/16" Cable clamp
52	10-19147	1/4" Cable clamp
53	10-17811	WC1590 chevron belting (c/w lacing, pin & washers)
53	10-19331	Eyebolt, 1/2" - 13 x 5" w/locknut
54	10-17995	WC15 belt lacing kit (c/w lacing, pin & washers)
55	10-17803	WC15 Jack
56	10-17832	WC1590 decal
57	10-17829	4-7/8" Westfield decal (red/black)



****NOTE: WC1590 FRAME SHOWN**

BASIC FRAME: WC1570

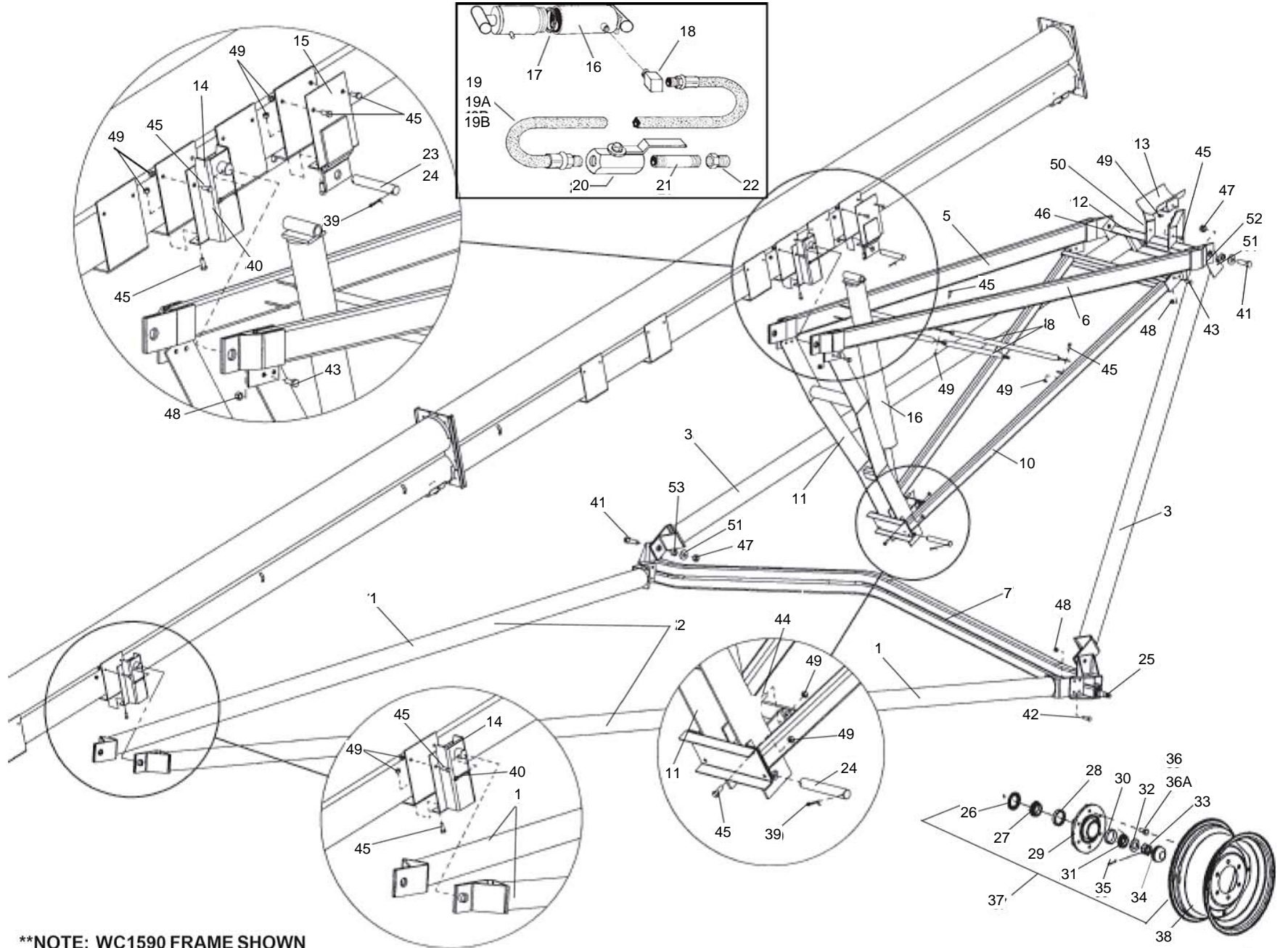
ITEM	PART NO.	DESCRIPTION
1	10-17817	Lower reach tube
2	10-17916	Lower reach frame bundle, as shipped
3	10-17818	Lower scissor arm
4	10-17917	Lower scissor arm bundle, as shipped
5	10-17826	Upper scissor arm, left
6	10-17825	Upper scissor arm, right
7	10-17816	Axle w/ spindle, nuts, washers, cotter pins
8	10-17996	Frame brace tube
9	10-17918	Upper scissor arm bundle, as shipped
10	10-17833	Cylinder frame
11	10-17835	Cylinder brace
12	10-17824	Knee channel
13	10-17837	Tube saddle
14	10-17813	Frame bracket
15	10-17814	Cylinder bracket
16	10-17779	Hydraulic cylinder
17	10-18542	Cylinder cup, 4" nom. (WC1590: 4-1/2" nom.)
18	10-18087	Street elbow, 3/8"
19	10-17800	Hydraulic hose, 3/8" x 552" long
20	10-18084	Shut-off valve, 3/8"
21	10-18085	Pipe nipple, 3/8" x 4-3/4"
22	10-18086	Reducer bushing, 3/8" x 1/2"
23	10-17898	1" Cylinder pin (WC1570 & WC1580 only)
24	10-17899	1-1/4" Cylinder pin (2 pins for WC1590)
25	10-17004	Weld-on spindle
26	10-17006	Seal
27	10-17007	Large bearing, Timken no. LM29749
28	10-17008	Large cup, Timken no. LM29710
29	10-17009	Hub w/cups
30	10-19266	Small cup, Timken no. LM67010
31	10-19265	Small bearing, Timken no. LM67048
32	10-17010	Washer
33	10-17011	Slotted nut, 1"
34	10-17012	Dust cap
35	10-19271	Cotter pin, 1/8" x 1-1/2"
36	10-19273	Wheel bolt, 1/2" - 20 x 1-1/4"
37	10-17013	Hub assembly, complete
38	10-17014	15" Wheel, 6 bolt
39	10-18098	Cotter pin, 1/4" x 1-3/4"
40	10-17820	Cotter pin, 3/8" x 2-1/2"
41	10-17016	Bolt, 1" - 8 x 3-1/2", grade 8
42	10-19991	Bolt, 5/8" - 11 x 2", grade 5 (6 req'd for WC1570)
43	10-19590	Bolt, 5/8" - 11 x 1-1/2", grade 5
44	10-19589	Bolt, 1/2" - 13 x 1-1/2", grade 5
45	10-19588	Bolt, 1/2" - 13 x 1-1/4", grade 5
46	10-18698	Bolt, 7/16" - 14 x 1-1/4", grade 5
47	10-17019	Locknut, 1" - 8
48	10-19600	Locknut, 5/8" - 11
49	10-19599	Locknut, 1/2" - 13
50	10-19598	Locknut, 7/16" - 14



**NOTE: WC1590 FRAME SHOWN

BASIC FRAME: WC1570

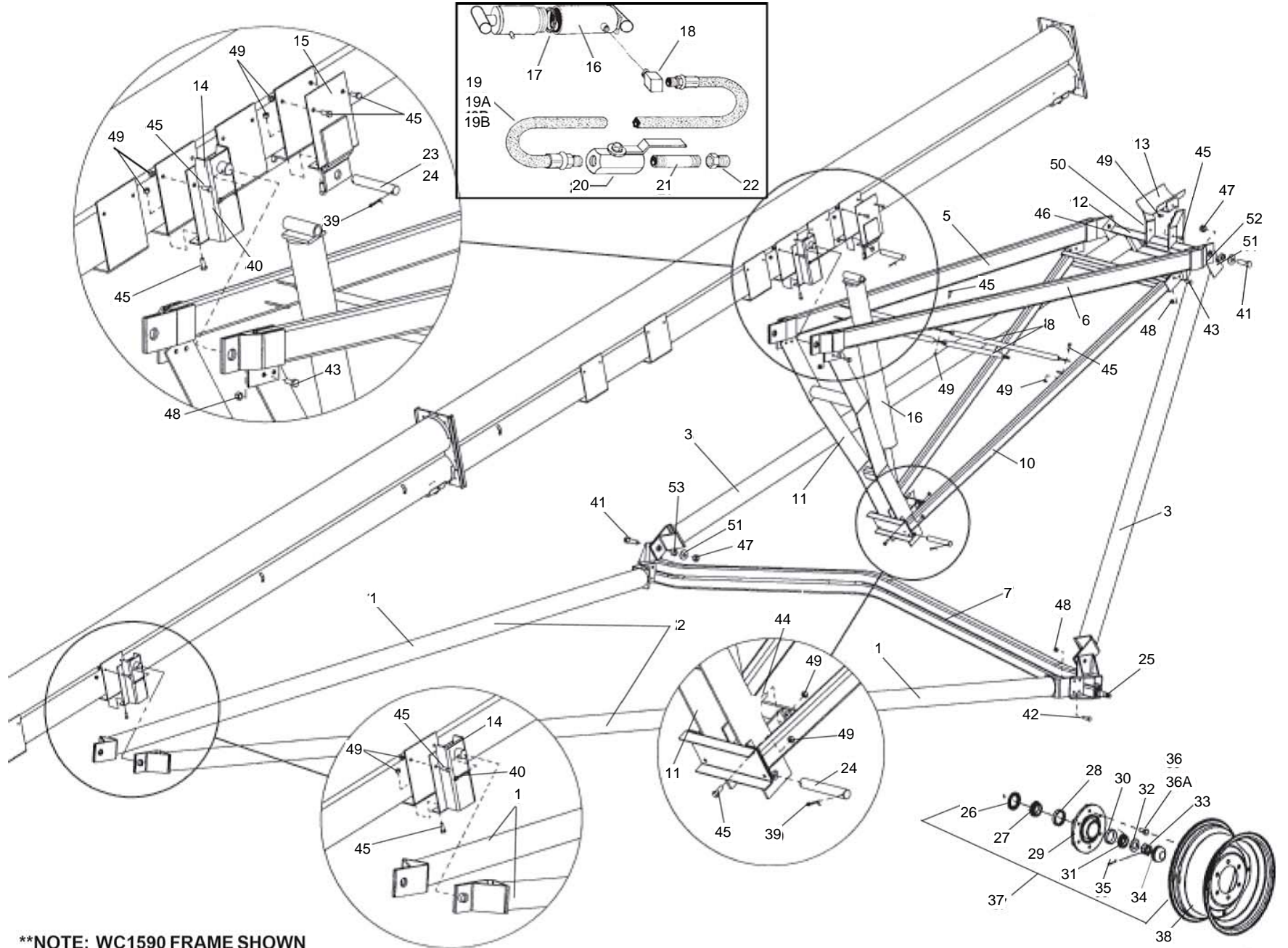
ITEM	PART NO.	DESCRIPTION
51	10-17020	Flat washer, 1"
52	10-17021	Short spacer bushing, 11/16" long
53	10-17022	Long spacer bushing, 15/16" long



****NOTE: WC1590 FRAME SHOWN**

BASIC FRAME: WC1580

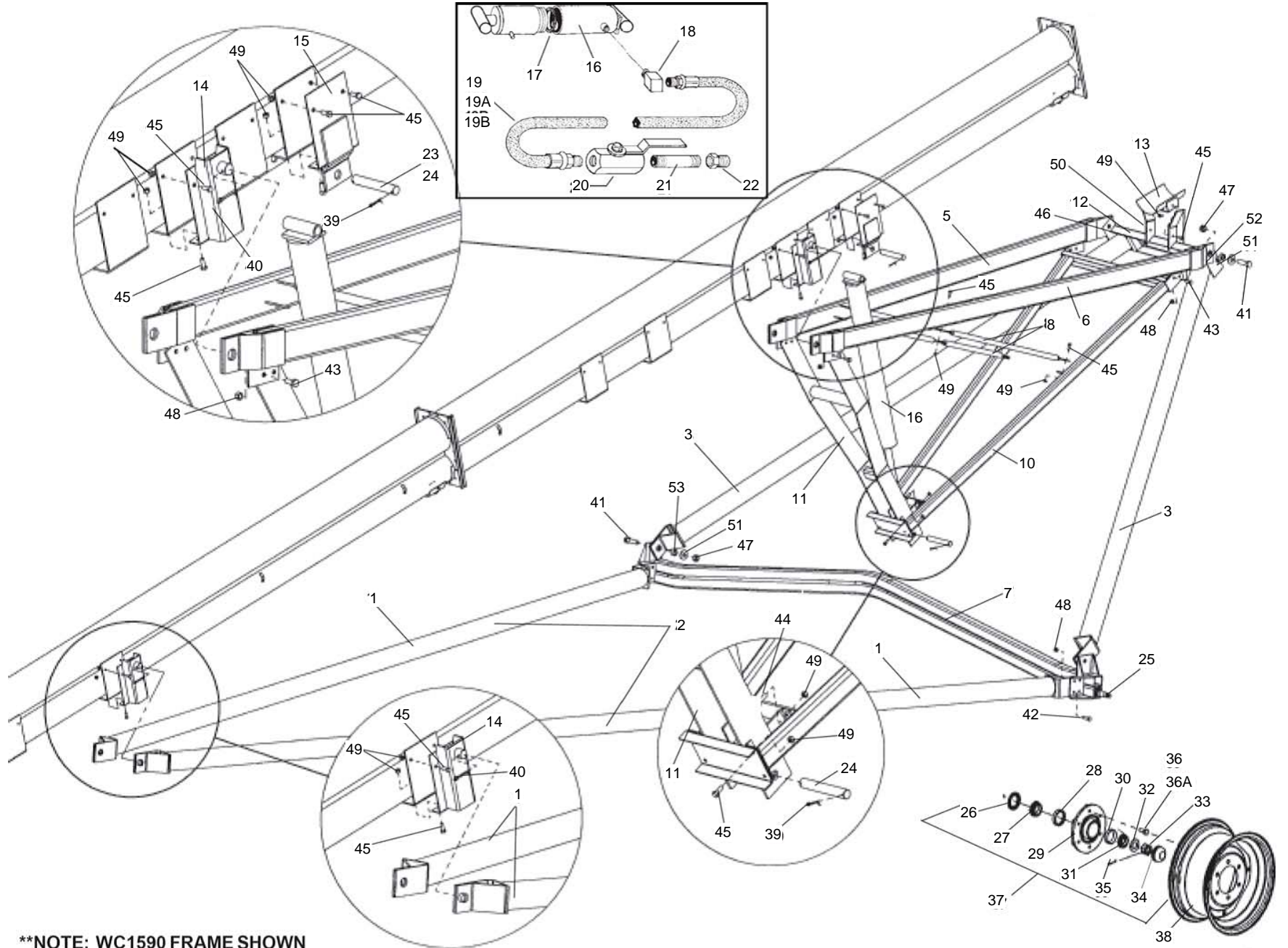
ITEM	PART NO.	DESCRIPTION
1	10-17838	Lower reach tube
2	10-17919	Lower reach frame bundle, as shipped
3	10-17823	Lower scissor arm
4	10-17920	Lower scissor arm bundle, as shipped
5	10-17828	Upper scissor arm, left
6	10-17827	Upper scissor arm, right
7	10-17816	Axle w/ spindle, nuts, washers, cotter pins
8	10-17857	Frame brace tube
9	10-17921	Upper scissor arm bundle, as shipped
10	10-17834	Cylinder frame
11	10-17836	Cylinder brace
12	10-17824	Knee channel
13	10-17837	Tube saddle
14	10-17813	Frame bracket
15	10-17814	Cylinder bracket
16	10-17779	Hydraulic cylinder
17	10-18542	Cylinder cup, 4" nom. (WC1590: 4-1/2" nom.)
18	10-18087	Street elbow, 3/8"
19A	10-17801	Hydraulic hose, 3/8" x 612" long
20	10-18084	Shut-off valve, 3/8"
21	10-18085	Pipe nipple, 3/8" x 4-3/4"
22	10-18086	Reducer bushing, 3/8" x 1/2"
23	10-17898	1" Cylinder pin (WC1570 & WC1580 only)
24	10-17899	1-1/4" Cylinder pin (2 pins for WC1590)
25	10-17004	Weld-on spindle
26	10-17006	Seal
27	10-17007	Large bearing, Timken no. LM29749
28	10-17008	Large cup, Timken no. LM29710
29	10-17009	Hub w/cups
30	10-19266	Small cup, Timken no. LM67010
31	10-19265	Small bearing, Timken no. LM67048
32	10-17010	Washer
33	10-17011	Slotted nut, 1"
34	10-17012	Dust cap
35	10-19271	Cotter pin, 1/8" x 1-1/2"
36	10-19273	Wheel bolt, 1/2" - 20 x 1-1/4"
37	10-17013	Hub assembly, complete
38	10-17014	15" Wheel, 6 bolt
39	10-18098	Cotter pin, 1/4" x 1-3/4"
40	10-17820	Cotter pin, 3/8" x 2-1/2"
41	10-17016	Bolt, 1" - 8 x 3-1/2", grade 8
42	10-19991	Bolt, 5/8" - 11 x 2", grade 5 (6 req'd for WC1570)
43	10-19590	Bolt, 5/8" - 11 x 1-1/2", grade 5
44	10-19589	Bolt, 1/2" - 13 x 1-1/2", grade 5
45	10-19588	Bolt, 1/2" - 13 x 1-1/4", grade 5
46	10-18698	Bolt, 7/16" - 14 x 1-1/4", grade 5
47	10-17019	Locknut, 1" - 8
48	10-19600	Locknut, 5/8" - 11
49	10-19599	Locknut, 1/2" - 13
50	10-19598	Locknut, 7/16" - 14



**NOTE: WC1590 FRAME SHOWN

BASIC FRAME: WC1580

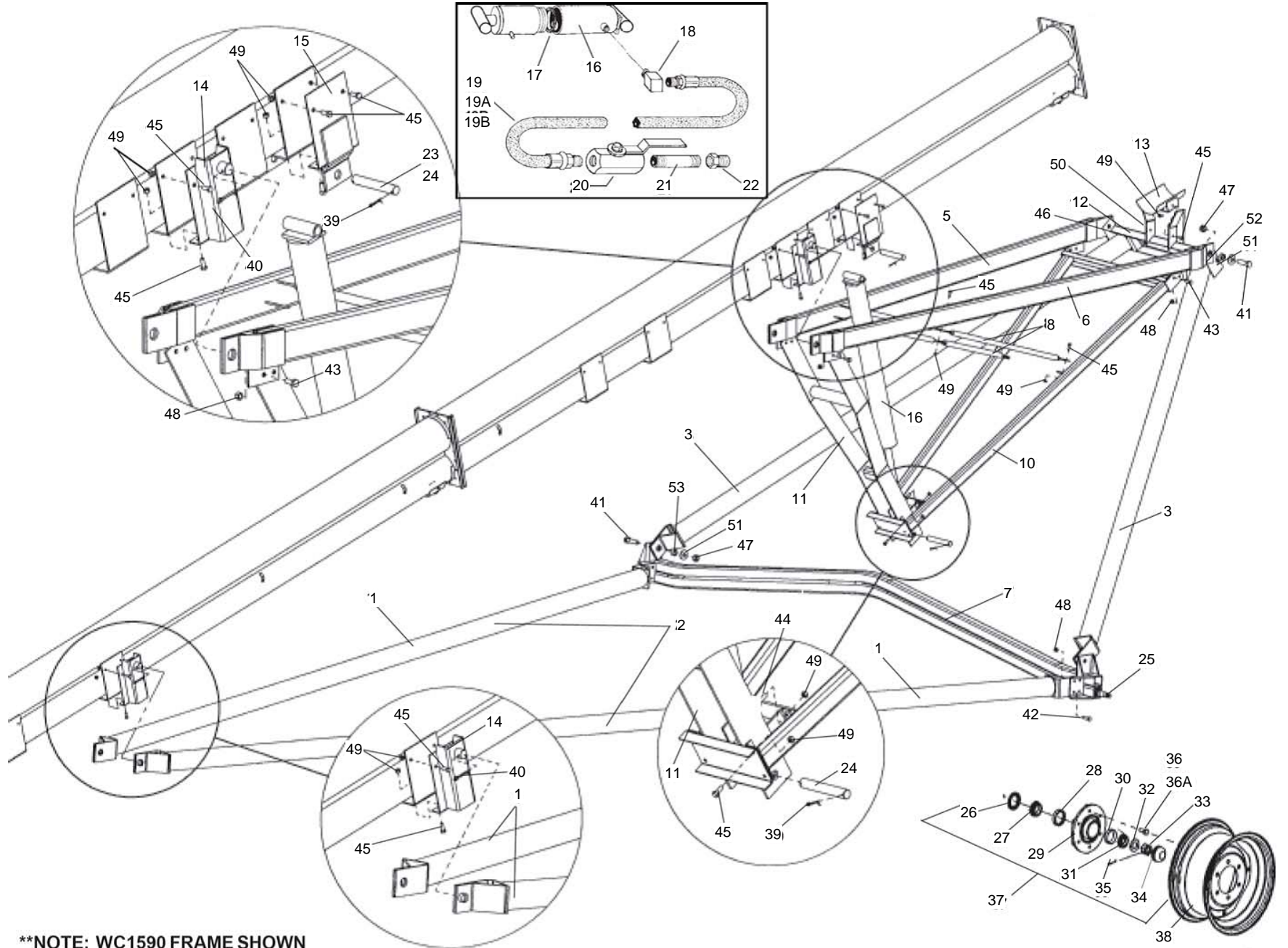
ITEM	PART NO.	DESCRIPTION
51	10-17020	Flat washer, 1"
52	10-17021	Short spacer bushing, 11/16" long
53	10-17022	Long spacer bushing, 15/16" long



**NOTE: WC1590 FRAME SHOWN

BASIC FRAME: WC1590

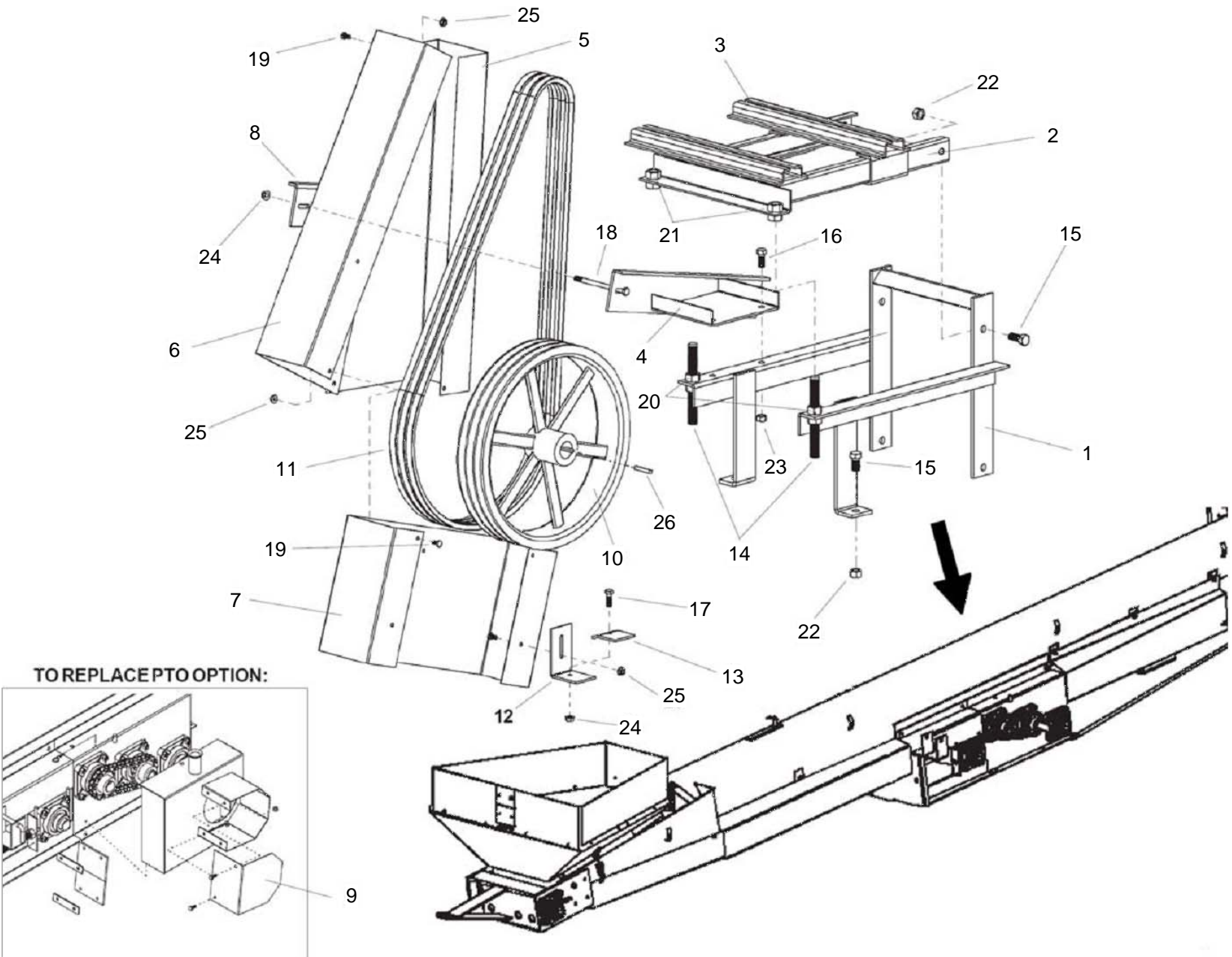
ITEM	PART NO.	DESCRIPTION
1	10-17840	Lower reach tube
2	10-17922	Lower reach frame bundle, as shipped
3	10-17842	Lower scissor arm
4	10-17923	Lower scissor arm bundle, as shipped
5	10-17845	Upper scissor arm, left
6	10-17844	Upper scissor arm, right
7	10-17841	Axle w/ spindle, nuts, washers, cotter pins
8	10-17858	Frame brace tube
9	10-17924	Upper scissor arm bundle, as shipped
10	10-17846	Cylinder frame
11	10-17847	Cylinder brace
12	10-17843	Knee channel
13	10-17837	Tube saddle
14	10-17813	Frame bracket
15	10-17814	Cylinder bracket
16	10-17780	Hydraulic cylinder
17	10-17652	Cylinder cup, 4" nom. (WC1590: 4-1/2" nom.)
18	10-18087	Street elbow, 3/8"
19B	10-17802	Hydraulic hose, 3/8" x 672" long
20	10-18084	Shut-off valve, 3/8"
21	10-18085	Pipe nipple, 3/8" x 4-3/4"
22	10-18086	Reducer bushing, 3/8" x 1/2"
24	10-17899	1-1/4" Cylinder pin (2 pins for WC1590)
25	10-17004	Weld-on spindle
26	10-17006	Seal
27	10-17007	Large bearing, Timken no. LM29749
28	10-17008	Large cup, Timken no. LM29710
29	10-17009	Hub w/cups
30	10-19266	Small cup, Timken no. LM67010
31	10-19265	Small bearing, Timken no. LM67048
32	10-17010	Washer
33	10-17011	Slotted nut, 1"
34	10-17012	Dust cap
35	10-19271	Cotter pin, 1/8" x 1-1/2"
36A	10-17561	Wheel bolt, 1/2" - 20 x 1-5/8"
37	10-17013	Hub assembly, complete
38	10-17560	15" Wheel, 6 bolt
39	10-18098	Cotter pin, 1/4" x 1-3/4"
40	10-17820	Cotter pin, 3/8" x 2-1/2"
41	10-17016	Bolt, 1" - 8 x 3-1/2", grade 8
42	10-19991	Bolt, 5/8" - 11 x 2", grade 5 (6 req'd for WC1570)
43	10-19590	Bolt, 5/8" - 11 x 1-1/2", grade 5
44	10-19589	Bolt, 1/2" - 13 x 1-1/2", grade 5
45	10-19588	Bolt, 1/2" - 13 x 1-1/4", grade 5
46	10-18698	Bolt, 7/16" - 14 x 1-1/4", grade 5
47	10-17019	Locknut, 1" - 8
48	10-19600	Locknut, 5/8" - 11
49	10-19599	Locknut, 1/2" - 13
50	10-19598	Locknut, 7/16" - 14
51	10-17020	Flat washer, 1"



****NOTE: WC1590 FRAME SHOWN**

BASIC FRAME: WC1590

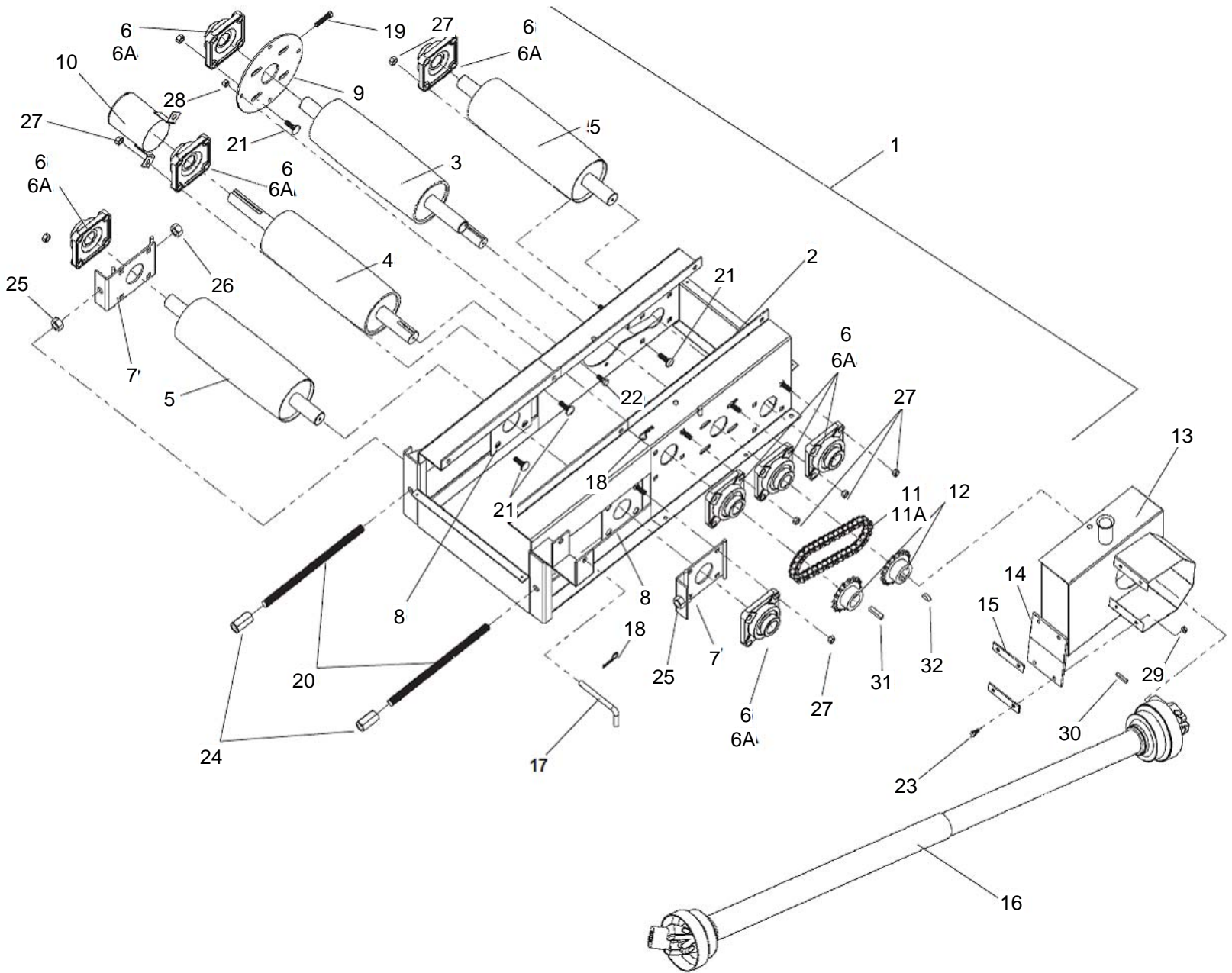
ITEM	PART NO.	DESCRIPTION
52	10-17021	Short spacer bushing, 11/16" long
53	10-17022	Long spacer bushing, 15/16" long



EMD (ELECTRIC MOTOR DRIVE): WC1570, WC1580, WC1590

ITEM	PART NO.	DESCRIPTION
1	10-17900	EMD base
2	10-17901	EMD hinge
3	10-17993	EMD slide
4	10-17904	Pulley shield attach bracket
5	10-17485	UT13 pulley shield - RH
6	10-17486	UT13 pulley shield - LH
7	10-17487	UT13 pulley shield extension
8	10-19932	EMD shield attach angle
9	10-17902	WC15 PTO shaft cover
10	10-17913	16" triple groove pulley: 1-1/2" bore
11	10-17997	B77 belt
12	10-17905	Pulley shield support
13	10-17906	Pulley shield clip
14	10-17914	Adjust rod, 5/8" x 6", grade 2
15	10-19588	Bolt, 1/2" - 13 x 1-1/4", grade 5
16	10-19542	Bolt, 7/16" - 14 x 1", grade 5
17	10-18091	Bolt, 5/16" - 18 x 1", grade 2
18	10-17994	Bolt, 5/16" - 18 x 6", grade 2
19	10-19537	Bolt, 1/4" - 20 x 1/2", grade 5
20	10-19864	Hex nut, 5/8" - 11
21	10-19600	Locknut, 5/8" - 11
22	10-19599	Locknut, 1/2" - 13
23	10-19542	Locknut, 7/16" - 14
24	10-19595	Washer locknut, 5/16" - 18
25	10-19594	Washer locknut, 1/4" - 20
26	10-18541	Square key, 3/8" x 3-1/2"

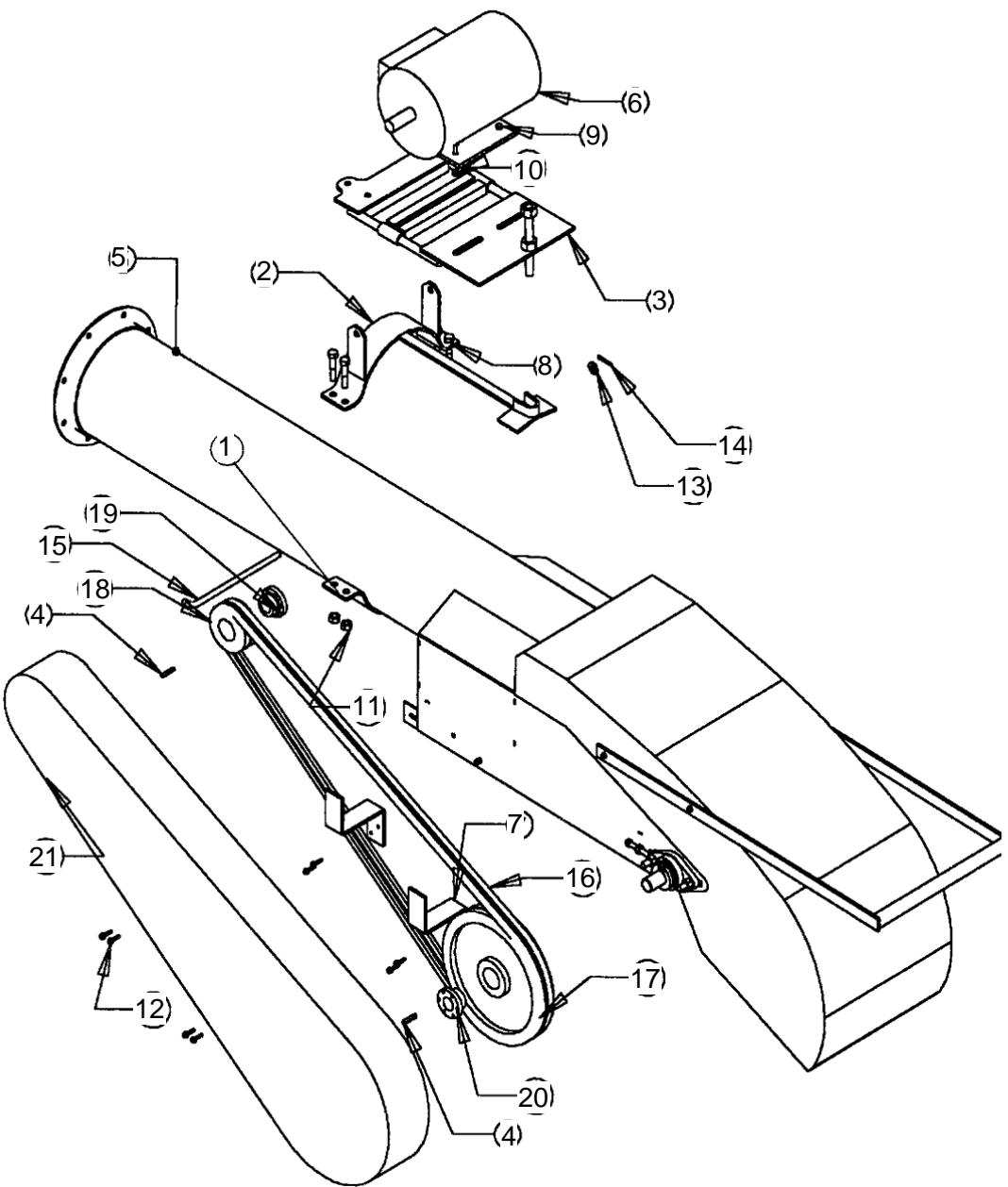
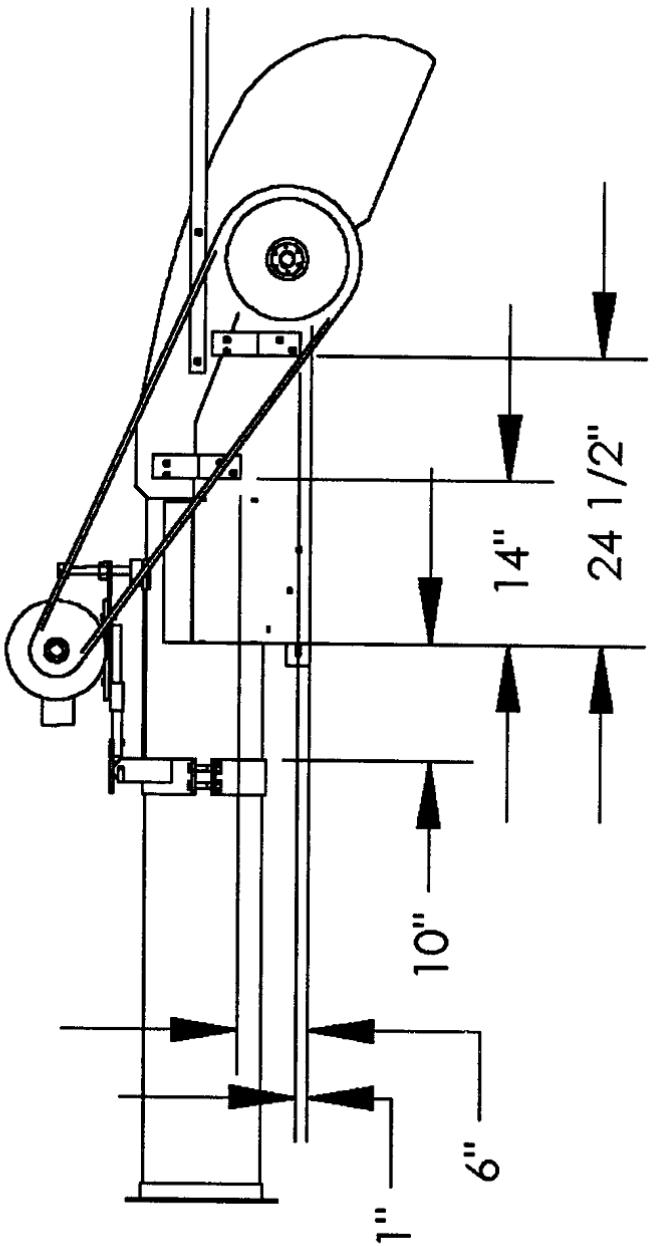
PTO DRIVE: WC1570, WC1580, WC1590



PTO DRIVE: WC1570, WC1580, WC1590

ITEM	PART NO.	DESCRIPTION
1	10-17783	Drive unit assembly, as shipped
2	10-17781	Drive weldment
3	10-27068	Main drive roller (rubberized)
4	10-27069	Secondary drive roller (rubberized)
5	10-27063	Idler roller
6	10-17292	1-1/2" Bearing w/ 4 bolt flange
6A	10-17761	1-1/2" Bearing, less flange
7	10-17804	Slider plate
8	10-17999	Bearing back plate
9	10-17776	Bearing cover
10	10-17897	Shaft guard
11	10-17808	Roller chain w/ connector - 60B16 x 35P
11A	10-19433	Roller chain connector only
12	10-17253	Drive sprocket, 16 tooth
13	10-17797	Chain housing
14	10-17229	Rubber flap
15	10-18878	Attach strap, 4-1/2"
16	10-27415	PTO driveline, 72" long
17	10-19648	Saddle pin, less hairpin
18	10-19463	Hairpin
19	10-17819	Setscrew, 7/16" x 2", grade 8
20	10-17805	Take-up rod, 3/4" x 6", grade 2
21	10-17807	Carriage bolt, 1/2" - 13 x 1-1/2", grade 5
22	10-19542	Bolt, 7/16" - 14 x 1", grade 5
23	10-19538	Bolt, 5/16" - 18 x 3/4", grade 2
24	10-17806	Coupling nut, 3/4" - 10
25	10-19997	Hex nut, 3/4" - 10
26	10-19601	Locknut, 3/4" - 10
27	10-19599	Locknut, 1/2" - 13
28	10-19542	Locknut, 7/16" - 14
29	10-19595	Washer locknut, 5/16" - 18
30	10-19606	Square key, 1/2" x 1-1/2"
31	10-17066	Square key, 3/8" x 1-3/4"
32	10-17812	Woodruff key, 3/8" x 1"

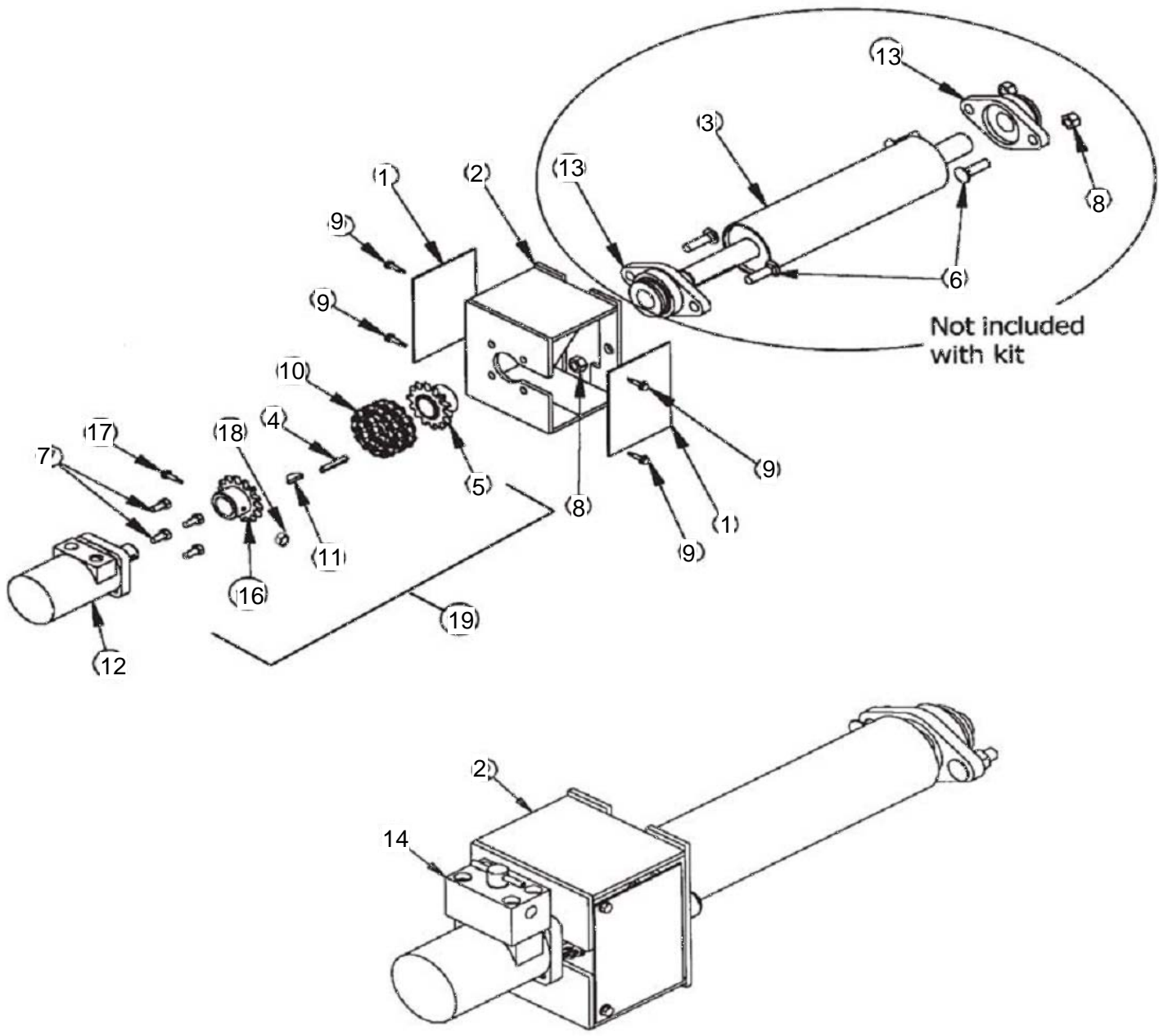
ELECTRIC TOP DRIVE, WC1515 TRANSFER



ELECTRIC TOP DRIVE, WC1515 TRANSFER

ITEM	PART NO.	DESCRIPTION
1	10-27370	3" U Clamp
2	10-27401	Electric motor clamp
3	10-27400	Electric motor mount base
4	10-19606	Key, 1/4" X 1.5"
5	N/A	15 Series spout assembly
6	N/A	Electric motor
7	10-27403	Guard mount
8	10-27380	Bolt, 1/2" - 13 X 2-1/2", grade 5
9	10-18091	Bolt, 5/16" - 18 X 1", grade 2
10	10-19980	Nylon locknut, 5/16" - 18
11	10-19599	Nylon locknut, 1/2" - 13
12	10-27382	Teks, 1"
13	10-17401	Flat washer, 1/2"
14	10-27384	Cotter pin, 3/16" X 1-1/2"
15	10-27402	Short motor mount pin
16	10-19212	Belt B101
17	10-27404	Pulley BK120H
18	N/A	Pulley BK40H
19	N/A	Bushing H 1.125
20	10-27405	Bushing H 1.25
21	10-27228	Pit stop plastic pulley guard

HYDRAULIC TOP DRIVE, WC1515 TRANSFER



HYDRAULIC TOP DRIVE, WC1515 TRANSFER

ITEM	PART NO.	DESCRIPTION
1	10-27397	1-1/4" HYD Motor guard
2	10-27396	HYD Motor mount 1314
3	10-27365	Spout drive roller
4	10-19606	Key, 1/4" X 1.75"
5	10-19802	Flex connector sprocket, 1-1/4" bore w/keyway
6	10-17807	Carriage bolt, 1/2" X 1-1/2"
7	10-18184	Bolt, 3/8" - 16 X 3/4", grade 5
8	10-19602	Hex nut, 1/2" - 13
9	10-27382	TEKS 1"
10	10-19559	Roller chain w/connector link
11	N/A	Spring pin, 3/8" X 2"
12	10-27188	Eaton HYD motor H-5.9 CPR
13	10-27246	1-1/4" Bearing + flange
14	10-27189	Speed control valve
15	N/A	Top drive sprout HYD (30-45)
16	10-27393	Flex connector sprocket, 1" bore
17	10-19541	Bolt, 3/8" x 2-3/4" Grade 2
18	10-19596	Whiznut, 3/8"
19	10-27271	Flex Chain Coupler, 1" Bolted x 1-1/4" Keyway

WESTFIELD

Westfield Industries is a Division of Ag Growth Industries Partnership
Part of the Ag Growth International Inc. Group

P.O. Box 39

Rosenort, Manitoba, Canada R0G 1W0

Phone: (866) 467-7207 (Canada & USA)

Fax: (866) 768-4852

website: www.grainaugers.com

email: sales@grainaugers.com

© Ag Growth International 2014



Printed in Canada