



WR SERIES AUGER

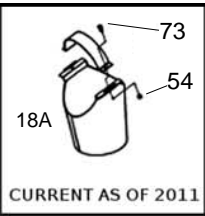
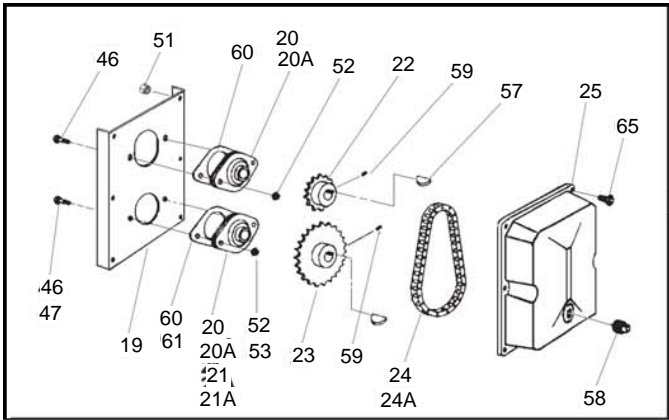
PARTS MANUAL

WR70 Basic Auger

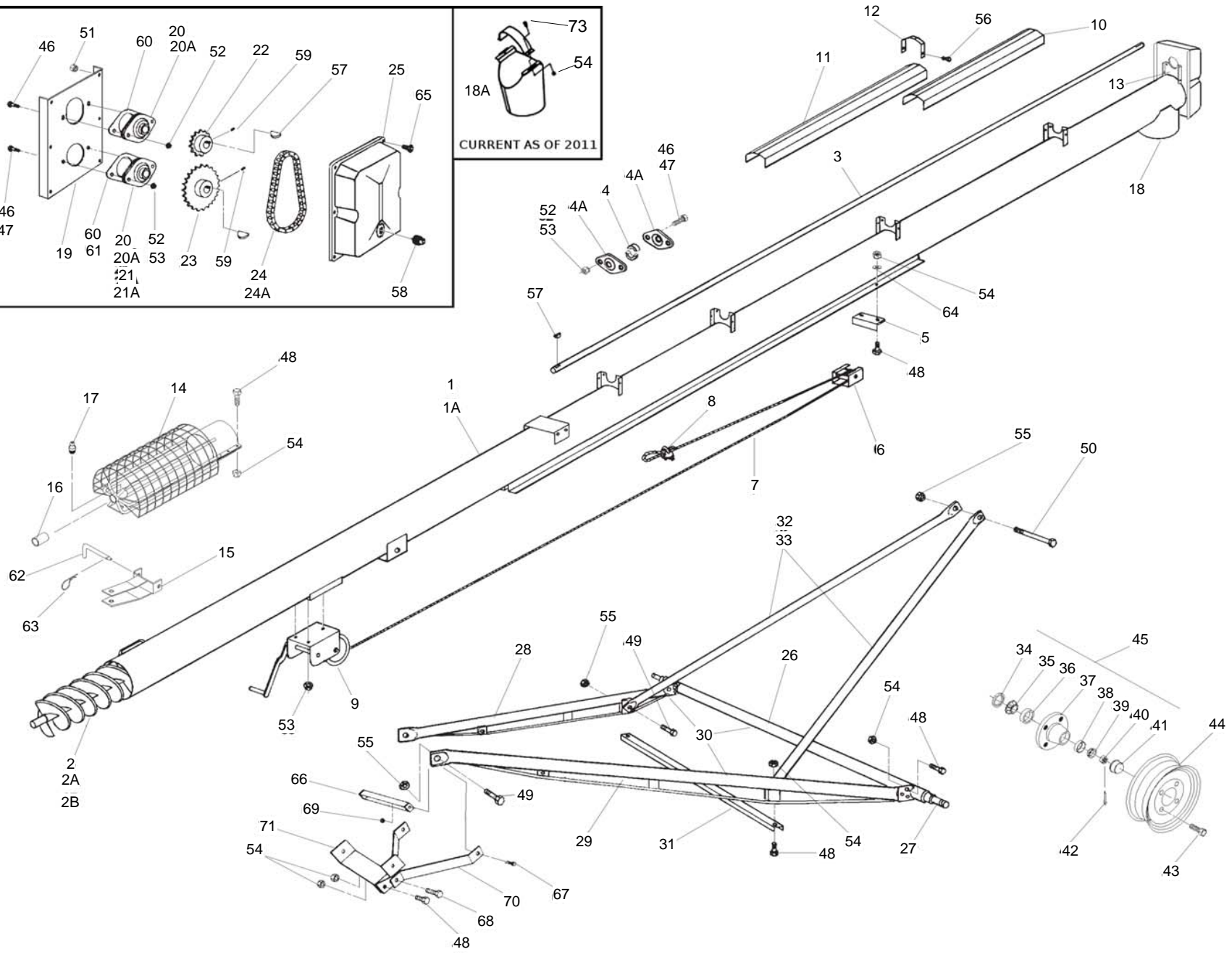
TABLE OF CONTENTS

DESCRIPTION	PAGE
WR70 26 BASIC AUGER	4
WR70 31 BASIC AUGER	8
WR70 36 BASIC AUGER	12
WR70 41 BASIC AUGER	16
WR70 46 BASIC AUGER	20
WR70 51 BASIC AUGER	24

WR70 26 BASIC AUGER



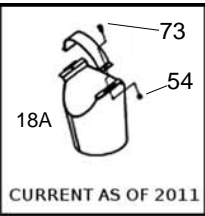
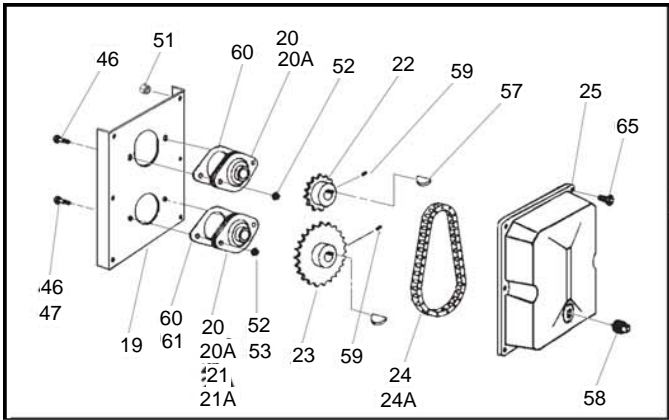
CURRENT AS OF 2011



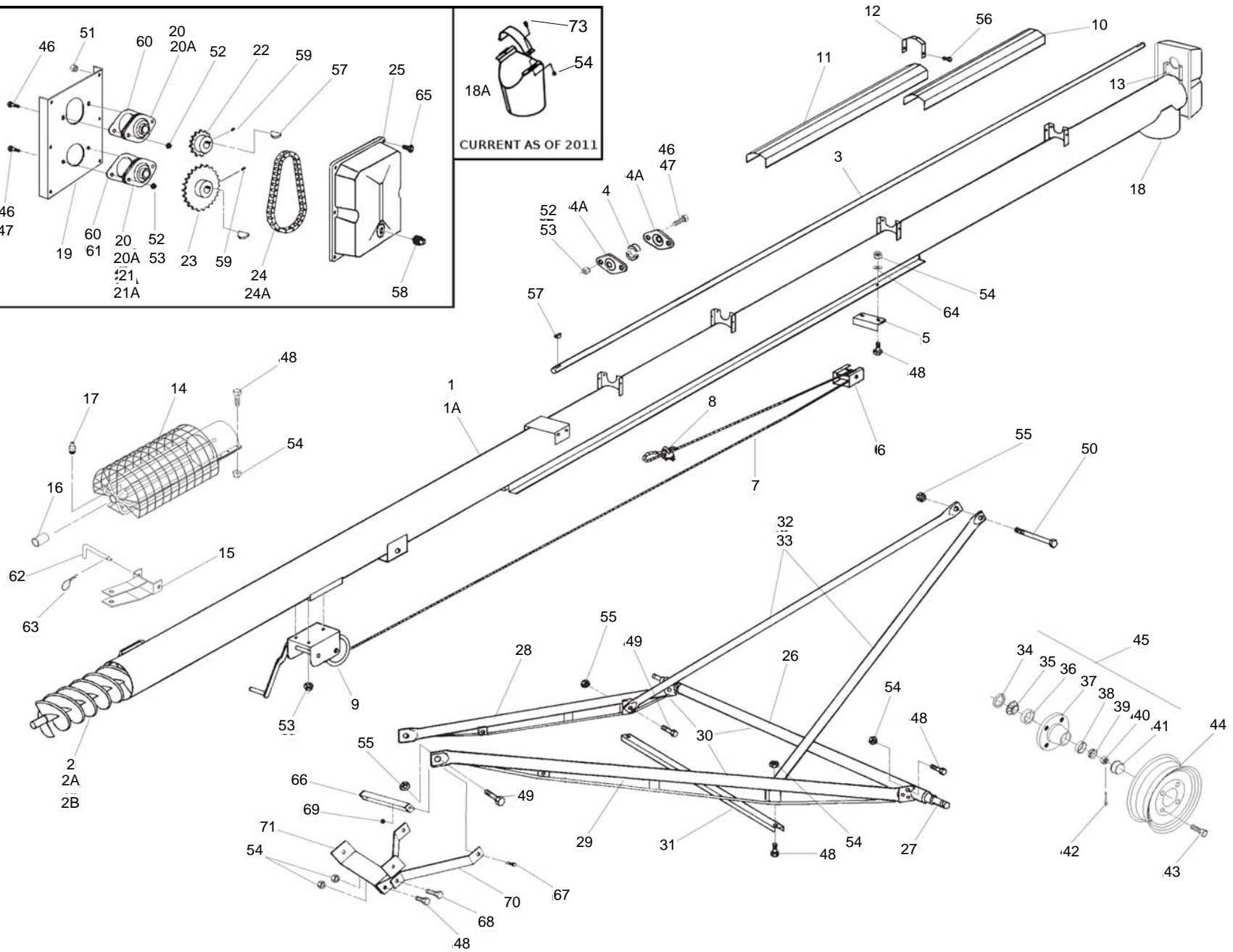
WR70 26 BASIC AUGER

ITEM	PART NO.	DESCRIPTION
1	10-19029	Tube section, w/driveshaft, housing, track
1A	10-19055	Tube bundle, as shipped
2	10-19099	Flight section
2A	10-19084	20" Weld-on crimped intake flight
2B	10-17533	Slip on intake flight (1998 & later)
3	10-19086	Driveshaft, 14' 4" long
4	10-18692	1" split hardwood bearing, set of 2 halves
4A	10-18694	1" bearing flange, single, 2 bolt
5	10-18762	Angle track stop
6	10-18763	Roller track shoe
7	10-19245	1/4" Cable, 21' long
8	10-19147	1/4" Cable clamp
9	10-19151	Winch, 4:1 ratio
10	10-19254	Driveshaft shield, 42" long
11	10-19255	Driveshaft shield, 48" long
12	10-19256	Shield tie-down strap
13	10-19257	Upper shield attach bracket
14	10-19192	Intake hitch w/shield, bushing, grease fitting
15	10-17123	Clevis, less pin
16	10-19149	1" Bushing
17	10-19222	Press-in grease fitting
18	10-17155	Weld-on outlet spout
19	10-17171	Upper drive housing
20	10-19321	1" Flangette bearing, 2 bolt w/flanges
20A	10-18817	1" Bearing, less flanges
22	10-19131	Upper sprocket, 14 tooth
23	10-19132	Lower sprocket, 25 tooth
24	10-19133	Roller chain w/connector
24A	10-19134	Roller chain connector only
25	10-17157	Housing cover
26	10-19335	Axle w/spindles, nuts, cotter pins
27	10-19262	Spindle, weld-on
28	10-19344	Lower reach tube, left
29	10-19345	Lower reach tube, right
30	10-19362	Lower reach frame bundle, as shipped
31	10-19371	crossmember
32	10-19380	Upper lift tube, left or right, single
33	10-19526	Upper lift bundle, as shipped, incl ref.#31
34	10-19264	Seal
35	10-19265	Large bearing, Timken #LM 67048
36	10-19266	Large cup, Timken #LM 67010
37	10-19267	Hub w/cups
38	10-19268	Small cup, Timken #LM 11910
39	10-19269	Small bearing, Timken #LM 11949
40	10-19270	Slotted nut, 3/4" - 16
41	10-19272	Dust cap
42	10-19271	Cotter pin, 1/8" x 1-1/2"
43	10-20565	1/2" X 1" WHEEL BOLT (BLACK)
44	10-19261	15" Wheel, 4 bolt
45	10-19467	Hub assembly, complete

WR70 26 BASIC AUGER



CURRENT AS OF 2011

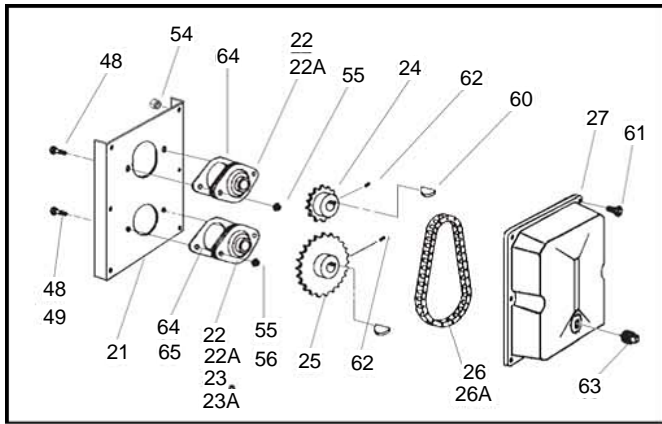


WR70 26 BASIC AUGER

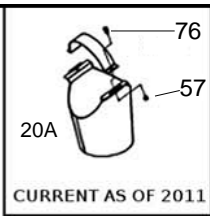
ITEM	PART NO.	DESCRIPTION
46	10-19538	Bolt, 5/16" - 18 x 3/4", grade 2
48	10-19542	Bolt, 7/16" - 14 x 1", grade 5
49	10-19590	Bolt, 5/8" - 11 x 1-1/2", grade 5
50	10-19591	Bolt, 5/8" - 11 x 6-1/2", grade 5
51	10-19594	Washer locknut, 1/4" - 20
52	10-19595	Washer locknut, 5/16" - 18
53	10-19596	Washer locknut, 3/8" - 16
54	10-19598	Locknut, 7/16" - 14
55	10-19600	Locknut, 5/8" - 11
56	10-19274	self-tapping screw, #14 x 5/8", w/washerhead
57	10-19224	Woodruff key, 1/4" x 1"
58	10-17179	3/8" Plug
59	10-19225	Setscrew, 3/8" - 16 x 3/8"
60	10-17167	Gasket for 1" flangette bearing
62	10-17181	Clevis pin
63	10-17383	Grip clip
64	10-17182	Track washer, 7/16"
65	10-19988	Bolt, 1/4" - 20 x 1", grade 2
72	10-17771	Basic carton
73	10-18698	7/16" x 1-1/4" NC Bolt Gr8 Pltd

WR70 31 BASIC AUGER

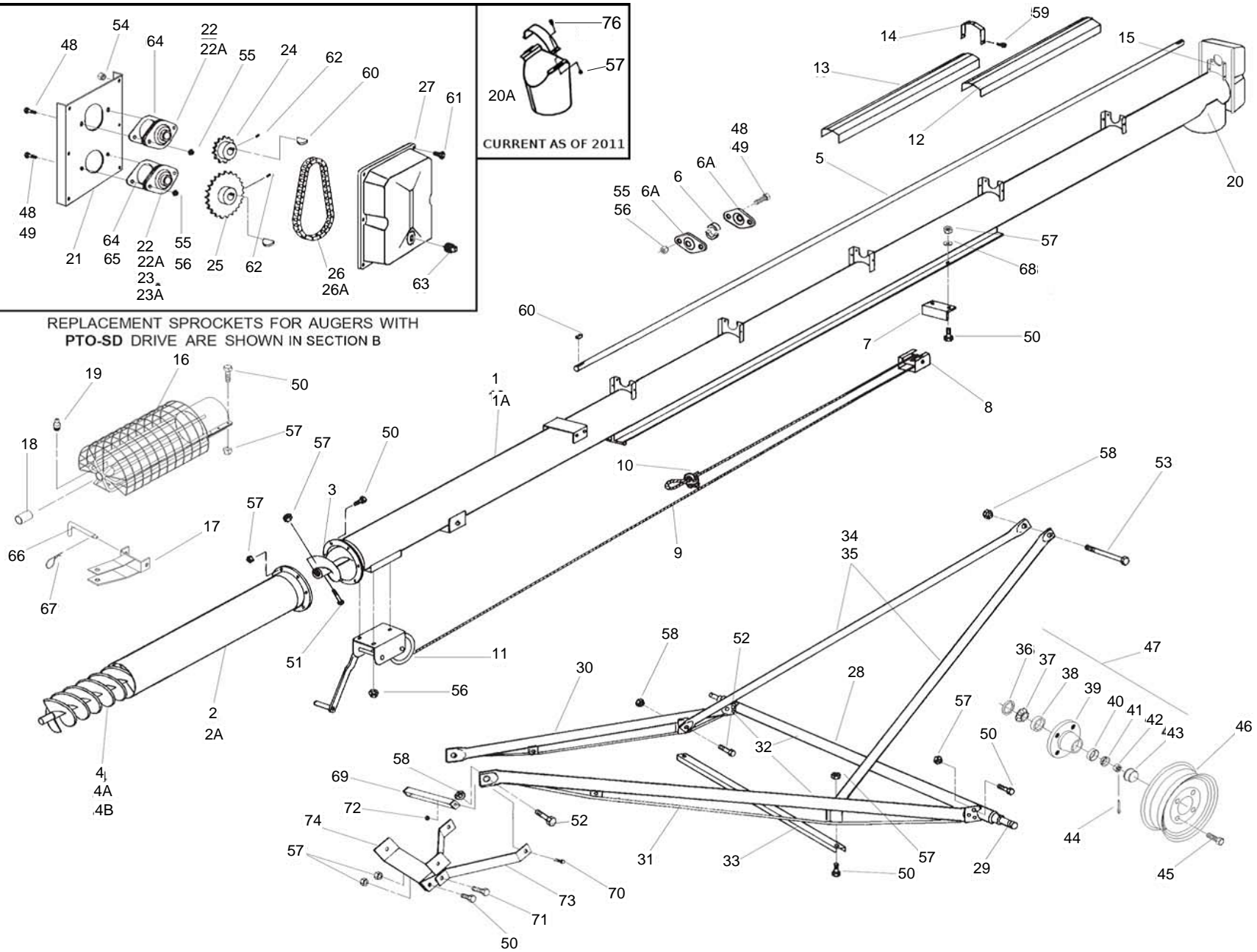
ITEM	PART NO.	DESCRIPTION
1	10-19032	Upper tube section w/driveshaft, housing, track
1A	10-19058	Upper tube bundle, as shipped
2	10-19106	Lower tube section
2A	10-19061	Lower tube bundle, as shipped
3	10-19105	Upper flight section
4	10-19111	Lower flight section
4A	10-19084	20" Weld-on crimped intake flight
4B	10-17533	Slip on intake flight (1998 & later)
5	10-19203	Driveshaft, 18' 5-3/4" long
6	10-18692	1" split hardwood bearing, set of 2 halves
6A	10-18694	1" bearing flange, single, 2 bolt
7	10-18762	Angle track stop
8	10-18763	Roller track shoe
9	10-19246	1/4" cable, 24' long
10	10-19147	1/4" Cable clamp
11	10-19151	Winch, 4:1 ratio
12	10-19254	Driveshaft shield, 42" long
13	10-19255	Driveshaft shield, 48" long
14	10-19256	Shield tie-down strap
15	10-19257	Upper shield attach bracket
16	10-19192	Intake hitch w/shield, bushing, grease fittings
17	10-17123	Clevis, less pin
18	10-19149	1" Bushing
19	10-19222	Press-in grease fitting
20	10-17155	Weld-on outlet spout
21	10-17171	Upper drive housing
22	10-19321	1" Flangette bearing, 2 bolt w/flanges
22A	10-18817	1" Bearing, less flanges
24	10-19131	Upper sprocket, 14 tooth
25	10-19132	Lower sprocket, 25 tooth
26	10-19133	Roller chain w/connector
26A	10-19134	Roller chain connector only
27	10-17157	Housing cover
28	10-19336	Axle w/spindles, nuts, cotter pins
29	10-19262	Spindle, weld-on
30	10-19346	Lower reach tube, left
31	10-19347	Lower reach tube, right
32	10-19363	Lower reach frame bundle, as shipped
33	10-19372	crossmember
34	10-19381	Upper lift tube, left or right, single
35	10-19527	Upper lift bundle, as shipped, includes Ref. #33
36	10-19264	Seal
37	10-19265	Large bearing, Timken #LM 67048
38	10-19266	Large cup, Timken #LM 67010
39	10-19267	Hub w/cups
40	10-19268	Small cup, Timken #LM 11910
41	10-19269	Small bearing, Timken #LM 11949
42	10-19270	Slotted nut, 3/4" - 16
43	10-19272	Dust cap
44	10-19271	Cotter pin, 1/8" x 1-1/2"



REPLACEMENT SPROCKETS FOR AUGERS WITH PTO-SD DRIVE ARE SHOWN IN SECTION B

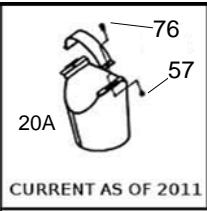
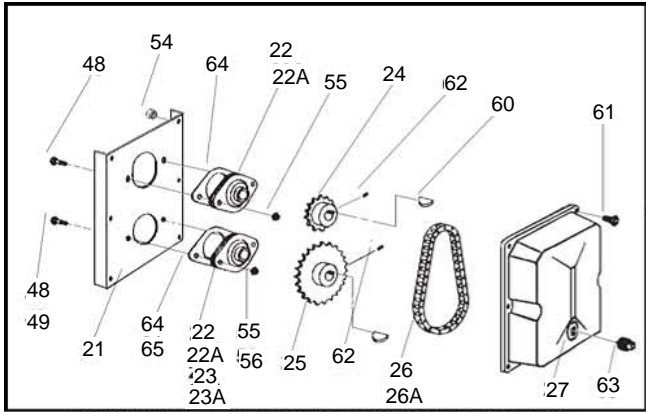


CURRENT AS OF 2011

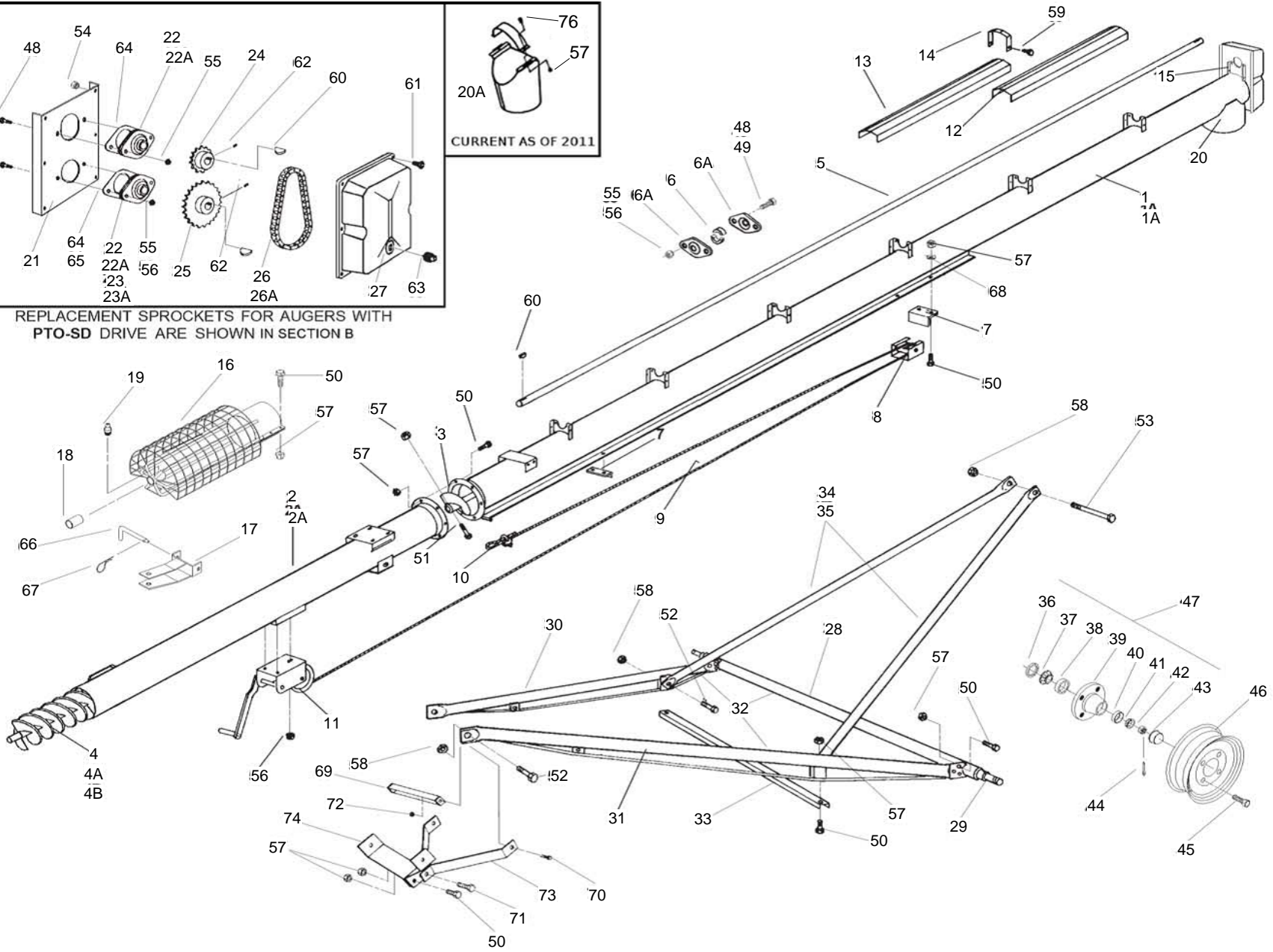


WR70 31 BASIC AUGER

ITEM	PART NO.	DESCRIPTION
45	10-20565	1/2" X 1" WHEEL BOLT (BLACK)
46	10-19261	15" Wheel, 4 bolt
47	10-19467	Hub assembly, complete
48	10-19538	Bolt, 5/16" - 18 x 3/4", grade 2
50	10-19542	Bolt, 7/16" - 14 x 1", grade 5
52	10-19590	Bolt, 5/8" - 11 x 1-1/2", grade 5
53	10-19591	Bolt, 5/8" - 11 x 6-1/2", grade 5
54	10-19594	Washer locknut, 1/4" - 20
55	10-19595	Washer locknut, 5/16" - 18
56	10-19596	Washer locknut, 3/8" - 16
57	10-19598	Locknut, 7/16" - 14
58	10-19600	Locknut, 5/8" - 11
59	10-19274	self-tapping screw, #14 x 5/8", w/washerhead
60	10-19224	Woodruff key, 1/4" x 1"
61	10-19988	Bolt, 1/4" - 20 x 1", grade 2
62	10-19225	Setscrew, 3/8" - 16 x 3/8"
63	10-17179	3/8" Plug
64	10-17167	Gasket for 1" flangette bearing
66	10-17181	Clevis pin
67	10-17383	Grip clip
68	10-17182	Track washer, 7/16"
75	10-17772	Basic carton
76	10-18698	7/16" x 1-1/4" NC Bolt Gr8 Pltd

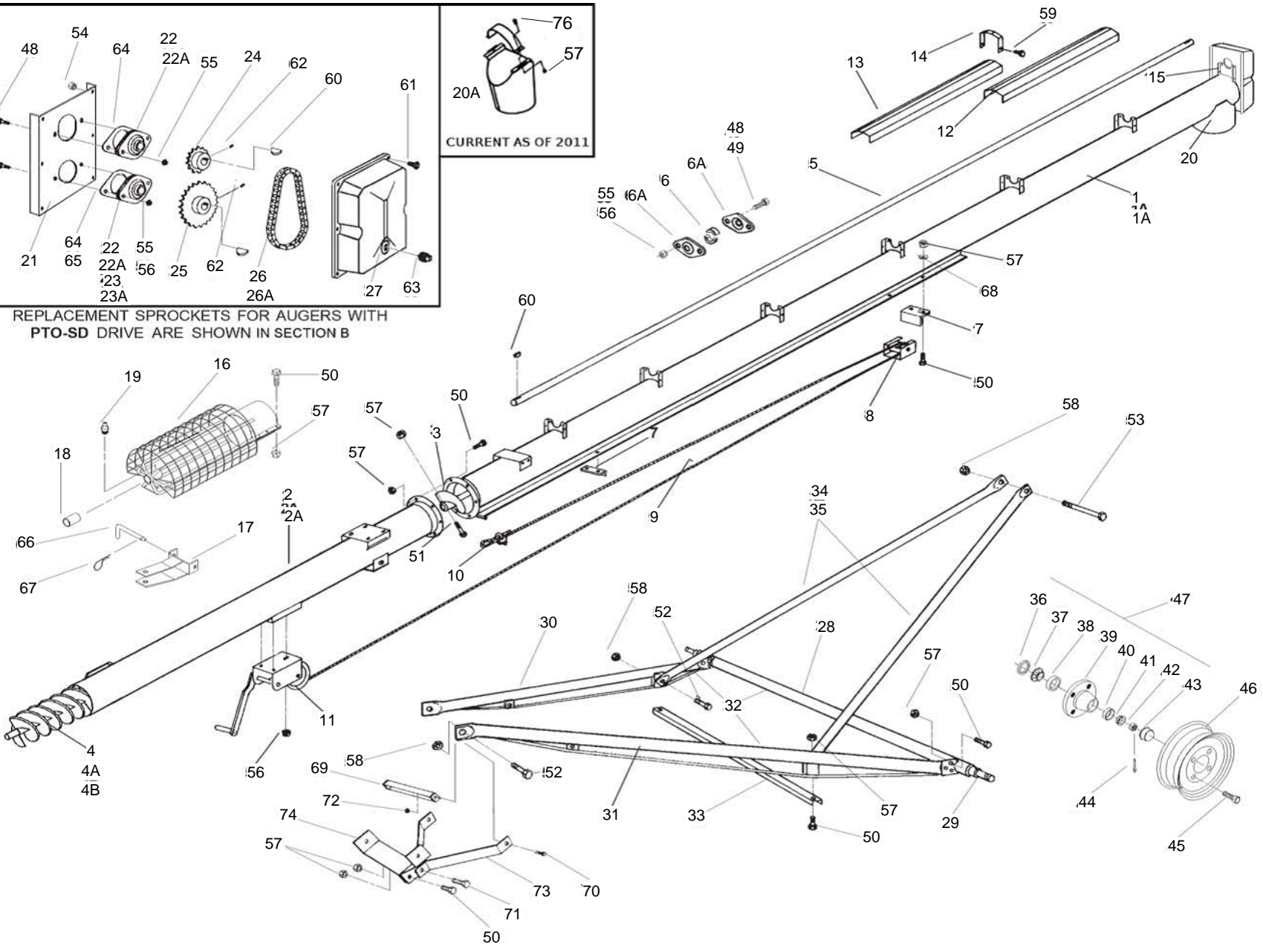
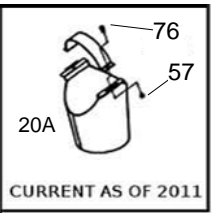
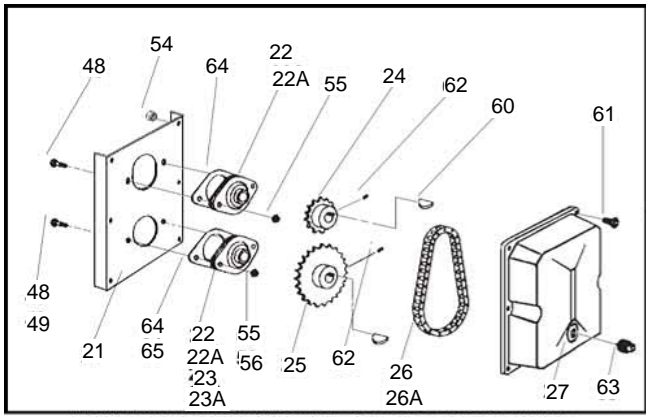


REPLACEMENT SPROCKETS FOR AUGERS WITH PTO-SD DRIVE ARE SHOWN IN SECTION B



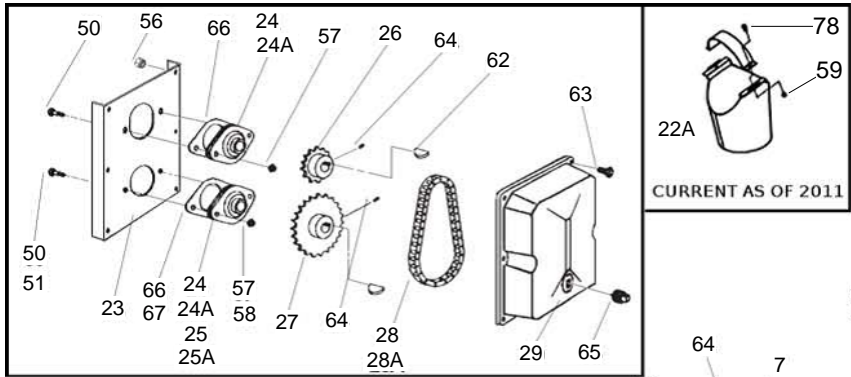
WR70 36 BASIC AUGER

ITEM	PART NO.	DESCRIPTION
1	10-19035	Upper tube section w/driveshaft, housing, track
1A	10-19064	Upper tube bundle, as shipped
2	10-19038	Lower tube section
2A	10-19067	Lower tube bundle, as shipped
3	10-19105	Upper flight section
4	10-19112	Lower flight section
4A	10-19084	20" Weld-on crimped intake flight
4B	10-17533	Slip on intake flight (1998 & later)
5	10-19205	Driveshaft, 22' 3" long
6	10-18692	1" split hardwood bearing, set of 2 halves
6A	10-18694	1" bearing flange, single, 2 bolt
7	10-18762	Angle track stop
8	10-18763	Roller track shoe
9	10-19248	1/4" Cable, 34' 6" long
10	10-19147	1/4" Cable clamp
11	10-19151	Winch
12	10-19254	Driveshaft shield, 42" long
13	10-19255	Driveshaft shield, 48" long
14	10-19256	Shield tie-down strap
15	10-19257	Upper shield attach bracket
16	10-19192	Intake hitch w/shield, bushing, grease fitting
17	10-17123	Clevis, less pin
18	10-19149	1" Bushing
19	10-19222	Press-in grease fitting
20	10-17155	Weld-on outlet spout
21	10-17171	Upper drive housing
22	10-19321	1" Flangette bearing, 2 bolt w/flanges
22A	10-18817	1" Bearing, less flanges
24	10-19131	Upper sprocket, 14 tooth
25	10-19132	Lower sprocket, 25 tooth
26	10-19133	Roller chain w/connector
26A	10-19134	Roller chain connector only
27	10-17157	Housing cover
28	10-19337	Axle w/spindles, nuts, cotter pins
29	10-19262	Spindle, weld-on
30	10-19348	Lower reach tube, left
31	10-19349	Lower reach tube, right
32	10-19364	Lower reach frame bundle, as shipped
33	10-19373	crossmember
34	10-19382	Upper lift tube, left or right, single
35	10-19528	Upper lift bundle, as shipped, includes Ref.#33
36	10-19264	Seal
37	10-19265	Large bearing, Timken #LM 67048
38	10-19266	Large cup, Timken #LM 67010
39	10-19267	Hub w/cups
40	10-19268	Small cup, Timken #LM 11910
41	10-19269	Small bearing, Timken #LM 11949
42	10-19270	Slotted nut, 3/4" - 16
43	10-19272	Dust cap
44	10-19271	1/8" x 1-1/2" Cotter pin

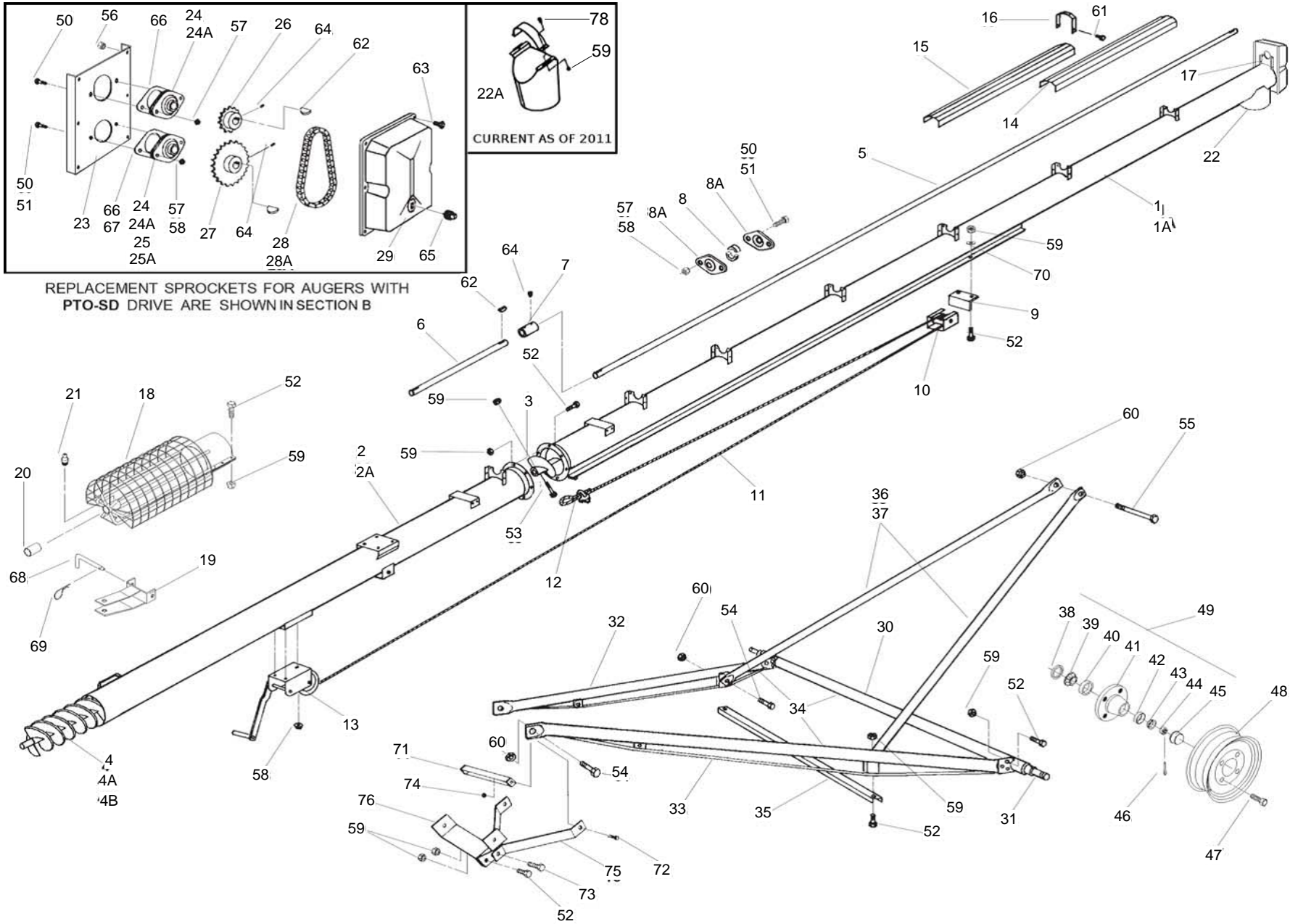


WR70 36 BASIC AUGER

ITEM	PART NO.	DESCRIPTION
45	10-20565	1/2" X 1" WHEEL BOLT (BLACK)
46	10-19261	15" Wheel, 4 bolt
47	10-19467	Hub assembly, complete
48	10-19538	Bolt, 5/16" - 18 x 3/4", grade 2
50	10-19542	Bolt, 7/16" - 14 x 1", grade 5
52	10-19590	Bolt, 5/8" - 11 x 1-1/2", grade 5
53	10-19591	Bolt, 5/8" - 11 x 6-1/2", grade 5
54	10-19594	Washer locknut, 1/4" - 20
55	10-19595	Washer locknut, 5/16" - 18
56	10-19596	Washer locknut, 3/8" - 16
57	10-19598	Locknut, 7/16" - 14
58	10-19600	Locknut, 5/8" - 11
59	10-19274	self-tapping screw, #14 x 5/8" w/washerhead
60	10-19224	Woodruff key, 1/4" x 1"
61	10-19988	Bolt, 1/4" - 20 x 1", grade 2
62	10-19225	Setscrew, 3/8" - 16 x 3/8"
63	10-17179	3/8" Plug
64	10-17167	Gasket for 1" flangette bearing
66	10-17181	Clevis pin
67	10-17383	Grip clip
68	10-17182	Track washer, 7/16"
75	10-17773	Basic carton
76	10-18698	7/16" x 1-1/4" NC Bolt Gr8 Pltd

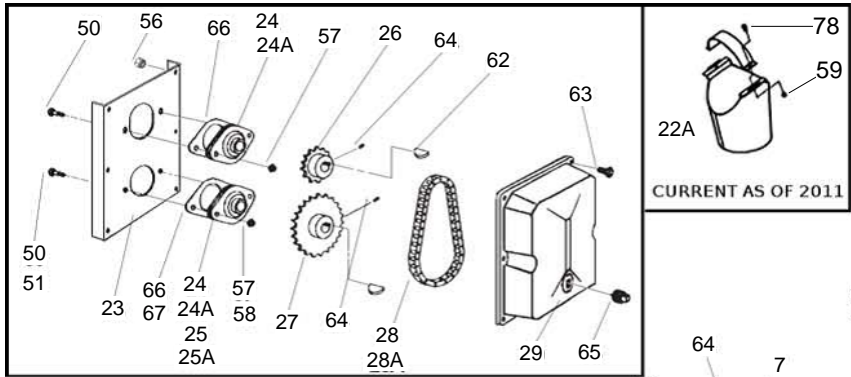


REPLACEMENT SPROCKETS FOR AUGERS WITH PTO-SD DRIVE ARE SHOWN IN SECTION B

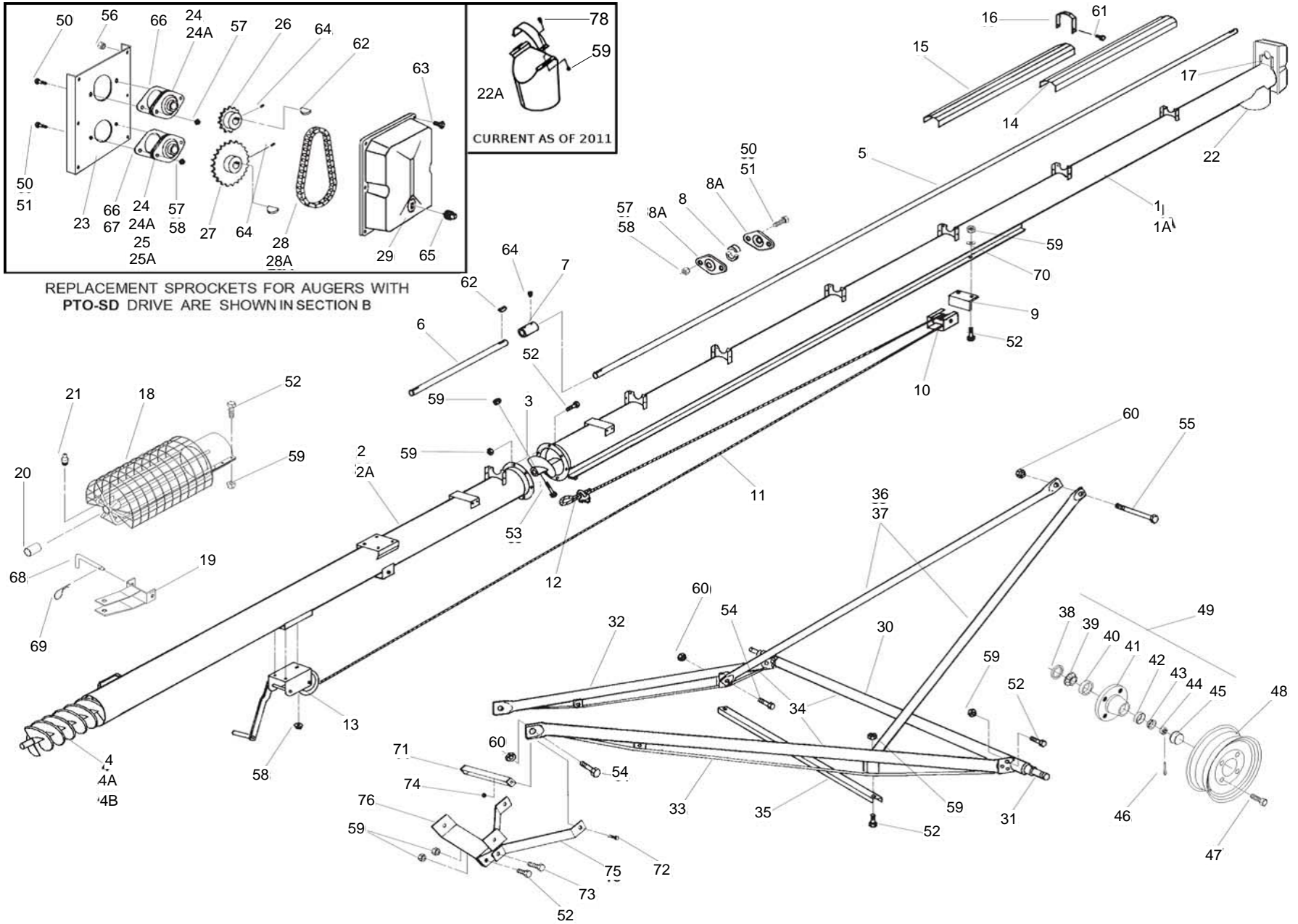


WR70 41 BASIC AUGER

ITEM	PART NO.	DESCRIPTION
1	10-19035	Upper tube section w/driveshaft, housing track
1A	10-19064	Upper tube bundle, as shipped
2	10-19041	Lower tube section
2A	10-19070	Lower tube bundle, as shipped
3	10-19105	Upper flight section
4	10-19113	Lower flight section
4A	10-19084	20" Weld-on crimped intake flight
4B	10-17533	Slip on intake flight (1998 & later)
5	10-19205	Upper driveshaft, 22' 3" long
6	10-19236	Lower driveshaft, 3' 9-1/2" long
7	10-19119	Driveshaft connector
8	10-18692	1" split hardwood bearing, set of 2 halves
8A	10-18694	1" bearing flange, single, 2 bolt
9	10-18762	Angle track stop
10	10-18763	Roller track shoe
11	10-19248	1/4" Cable, 34' 6" long
12	10-19147	1/4" Cable clamp
13	10-19151	Winch
14	10-19254	Driveshaft shield, 42" long
15	10-19255	Driveshaft shield, 48" long
16	10-19256	Shield tie-down strap
17	10-19257	Upper shield attach bracket
18	10-19192	Intake hitch w/shield, bushing, grease fitting
19	10-17123	Clevis, less pin
20	10-19149	1" BUSHING
21	10-19222	Press-in grease fitting
22	10-17155	Weld-on outlet spout
23	10-17171	Upper drive housing
24	10-19321	1" Flangette bearing, 2 bolt w/flanges
24A	10-18817	1" Bearing, less flanges
26	10-19131	Upper sprocket, 14 tooth
27	10-19132	Lower sprocket, 25 tooth
28	10-19133	Roller chain w/connector
28A	10-19134	Roller chain connector only
29	10-17157	Housing cover
30	10-19338	Axle w/spindles, nuts, cotter pins
31	10-19262	Spindle, weld-on
32	10-19350	Lower reach tube, left
33	10-19351	Lower reach tube, right
34	10-19365	Lower reach frame bundle, as shipped
35	10-19374	crossmember
36	10-19383	Upper lift tube, left or right, single
37	10-19529	Upper lift bundle, as shipped, includes Ref. #35
38	10-19264	Seal
39	10-19265	Large bearing, Timken #LM 67048
40	10-19266	Large cup, Timken #LM 67010
41	10-19267	Hub w/cups
42	10-19268	Small cup, Timken #LM 11910
43	10-19269	Small bearing, Timken #LM 11949
44	10-19270	Slotted nut, 3/4" - 16

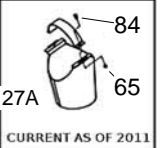
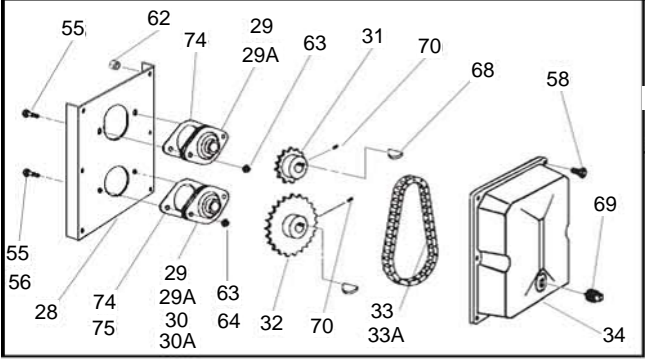
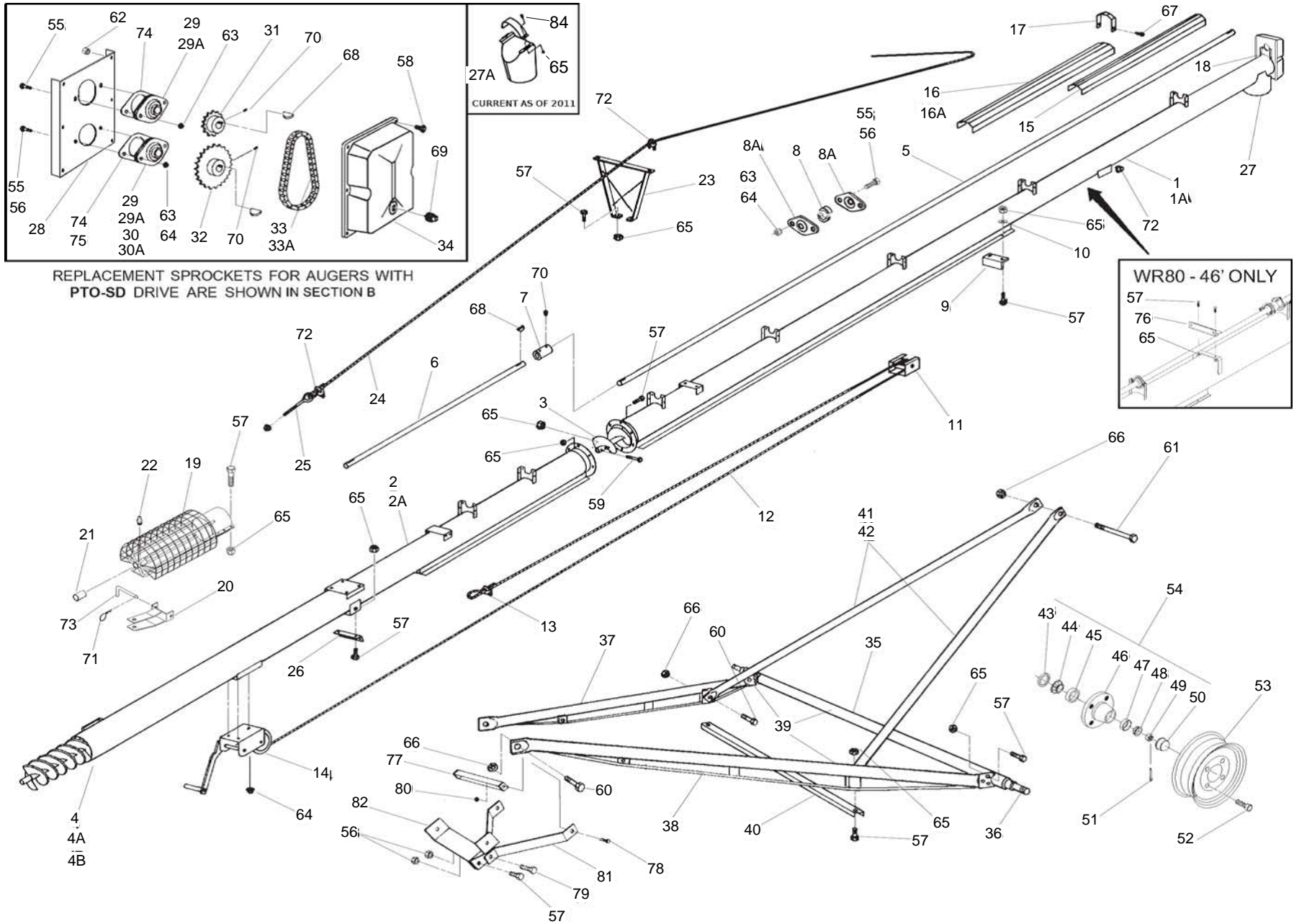


REPLACEMENT SPROCKETS FOR AUGERS WITH PTO-SD DRIVE ARE SHOWN IN SECTION B



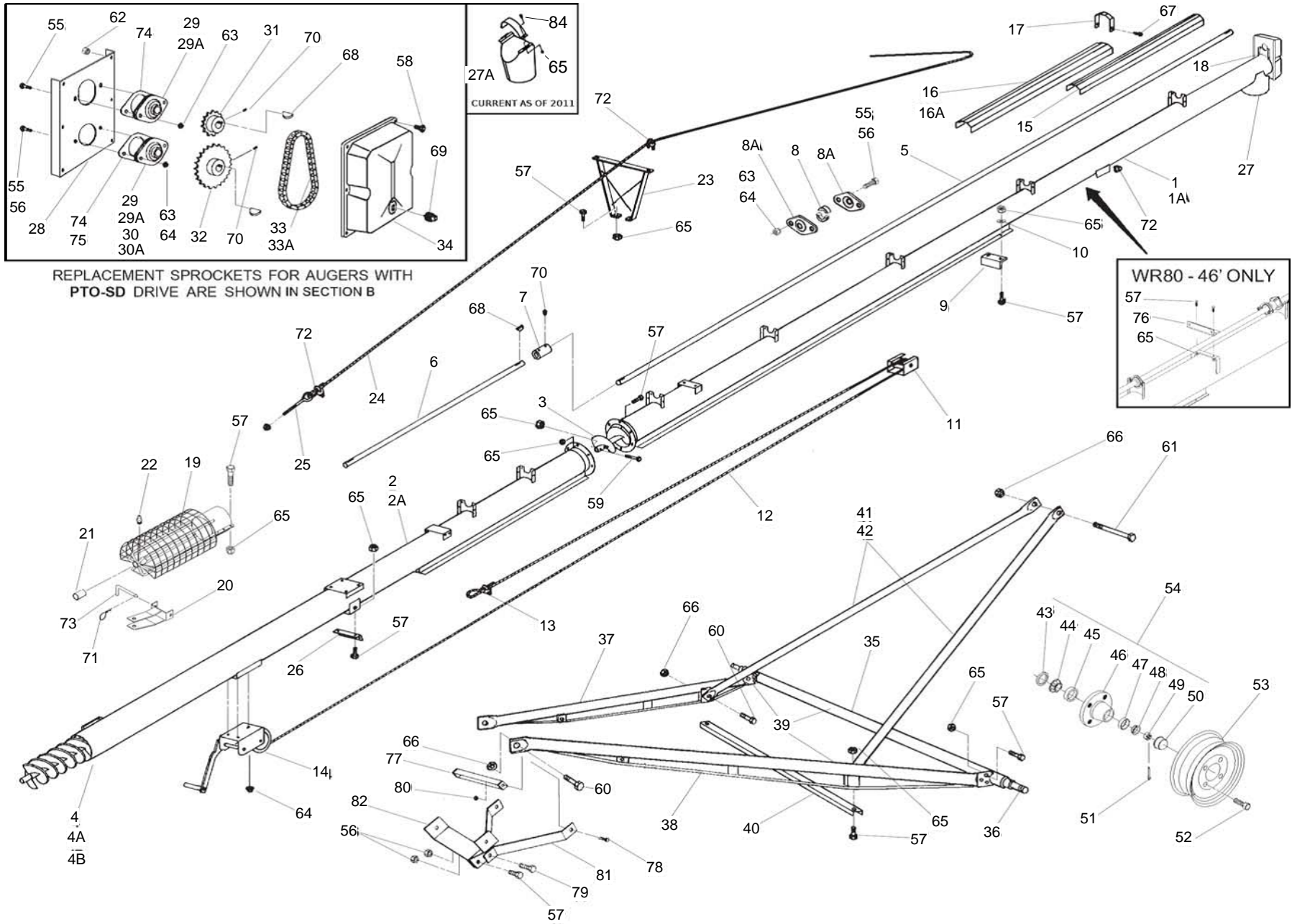
WR70 41 BASIC AUGER

ITEM	PART NO.	DESCRIPTION
45	10-19272	Dust cap
46	10-19271	1/8" x 1-1/2" Cotter pin
47	10-20565	1/2" X 1" WHEEL BOLT (BLACK)
48	10-19261	15" Wheel, 4 bolt
49	10-19467	Hub assembly, complete
50	10-19538	Bolt, 5/16" - 18 x 3/4", grade 2
52	10-19542	Bolt, 7/16" - 14 x 1", grade 5
54	10-19590	Bolt, 5/8" - 11 x 1-1/2", grade 5
55	10-19591	Bolt, 5/8" - 11 x 6-1/2", grade 5
56	10-19594	Washer locknut, 1/4" - 20
57	10-19595	Washer locknut, 5/16" - 18
58	10-19596	Washer locknut, 3/8" - 16
59	10-19598	Locknut, 7/16" - 14
60	10-19600	Locknut, 5/8" - 11
61	10-19274	self-tapping screw, #14 x 5/8" w/washerhead
62	10-19224	Woodruff key, 1/4" x 1"
63	10-19988	Bolt, 1/4" - 20 x 1", grade 2
64	10-19225	Setscrew, 3/8" - 16 x 3/8"
65	10-17179	3/8" Plug
66	10-17167	Gasket for 1" flangette bearing
68	10-17181	CLEVIS PIN
69	10-17383	Grip clip
70	10-17182	Track washer, 7/16"
77	10-17774	Basic carton
78	10-18698	7/16" x 1-1/4" NC Bolt Gr8 Pltd



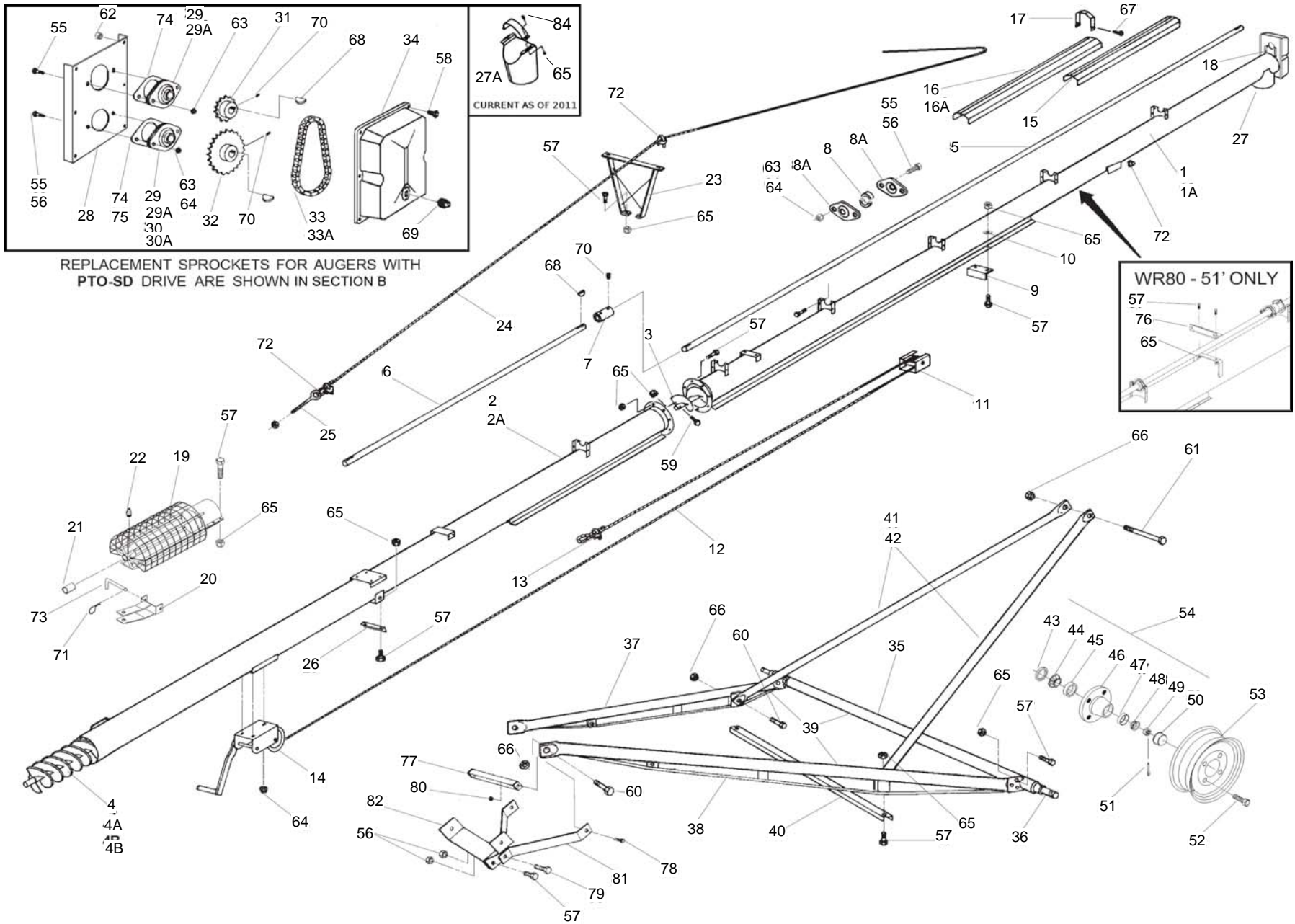
WR70 46 BASIC AUGER

ITEM	PART NO.	DESCRIPTION
1	10-18711	Upper tube section w/driveshaft, housing
1A	10-18722	Upper tube bundle, as shipped
2	10-17183	Lower tube section
2A	10-17185	Lower tube bundle, as shipped
3	10-19105	Upper flight section
4	10-19114	Lower flight section
4A	10-19084	20" Weld-on crimped intake flight
4B	10-17533	Slip on intake flight (1998 & later)
5	10-18700	Upper driveshaft, 1" x 24' 2"
6	10-17187	Lower driveshaft, 1" x 5' 6-1/2"
7	10-19119	Driveshaft connector
8	10-18692	1" split hardwood bearing, set of 2 halves
8A	10-18694	1" bearing flange, single, 2 bolt
9	10-18762	Angle track stop
10	10-17182	Track washer, 7/16"
11	10-18763	Roller track shoe
12	10-19249	1/4" Cable, 44' long
13	10-19147	1/4" Cable clamp
14	10-19152	Winch, 5:1 ratio
15	10-19254	Driveshaft shield, 42" long
16	10-19255	Driveshaft shield, 48" long
16A	10-18829	Driveshaft shield, 60" long
17	10-19256	Shield tie-down strap
18	10-19257	Upper shield attach bracket
19	10-19192	Intake hitch w/shield, bushing, grease fitting
20	10-17123	Clevis, less pin
21	10-19149	1" Bushing
22	10-19222	Press-in grease fitting
23	10-19324	Truss support bracket, low
24	10-18825	5/16" Truss cable, 57' 6" long
25	10-19331	Eye bolt w/nut
26	10-19332	Truss attach angle
27	10-17155	Weld-on spout
28	10-17171	Upper drive housing
29	10-19321	1" Flangette bearing, 2 bolt w/flanges
29A	10-18817	1" Bearing, less flanges
31	10-19131	Upper sprocket, 14 tooth
32	10-19132	Lower sprocket, 25 tooth
33	10-19133	Roller chain w/connector
33A	10-19134	Roller chain connector only
34	10-17157	Housing cover
35	10-19339	Axle w/spindles, nuts, cotter pins
36	10-19263	Spindle, weld-on
37	10-19352	Lower reach tube, left
38	10-19353	Lower reach tube, right
39	10-19366	Lower reach frame bundle, as shipped
40	10-19375	crossmember
41	10-19384	Upper lift tube, left or right, single
42	10-19531	Upper lift bundle, as shipped, includes ref. #40
43	10-19264	Seal



WR70 46 BASIC AUGER

ITEM	PART NO.	DESCRIPTION
44	10-19265	Large bearing, Timken #LM 67048
45	10-19266	Large cup, Timken #LM 67010
46	10-19267	Hub w/cups
47	10-19268	Small cup, Timken #LM 11910
48	10-19269	Small bearing, Timken #LM 11949
49	10-19270	Slotted nut, 3/4" - 16
50	10-19272	Dust cap
51	10-19271	Cotter pin, 1/8" x 1-1/2"
52	10-20565	1/2" X 1" WHEEL BOLT (BLACK)
53	10-19261	15" Wheel , 4 bolt
54	10-19467	Hub assembly, complete
55	10-19538	Bolt, 5/16" - 18 x 3/4", grade 2
57	10-19542	Bolt, 7/16" - 14 x 1", grade 5
58	10-19988	Bolt, 1/4" - 20 x 1", grade 2
60	10-19590	Bolt, 5/8" - 11 x 1-1/2", grade 5
61	10-19591	Bolt, 5/8" - 11 x 6-1/2", grade 5
62	10-19594	Washer locknut, 1/4" - 20
63	10-19595	Washer locknut, 5/16" - 18
64	10-19596	Washer locknut, 3/8" - 16
65	10-19598	Locknut, 7/16" - 14
66	10-19600	Locknut, 5/8" - 11
67	10-19274	self-tapping screw, #14 x 5/8", with washerhead
68	10-19224	Woodruff key, 1/4" x 1"
69	10-17179	3/8" Plug
70	10-19225	Set screw, 3/8" - 16 x 3/8"
71	10-17383	Grip clip
72	10-19333	Cable clamp, 5/16"
73	10-17181	CLEVIS PIN
74	10-17167	Gasket for 1" flangette bearing
83	10-19680	Basic carton
84	10-18698	7/16" x 1-1/4" NC Bolt Gr8 Pltd



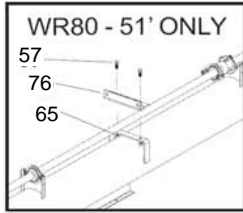
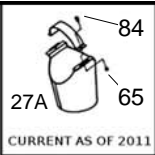
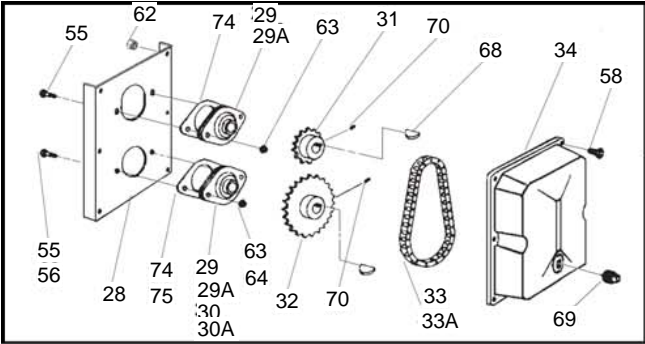
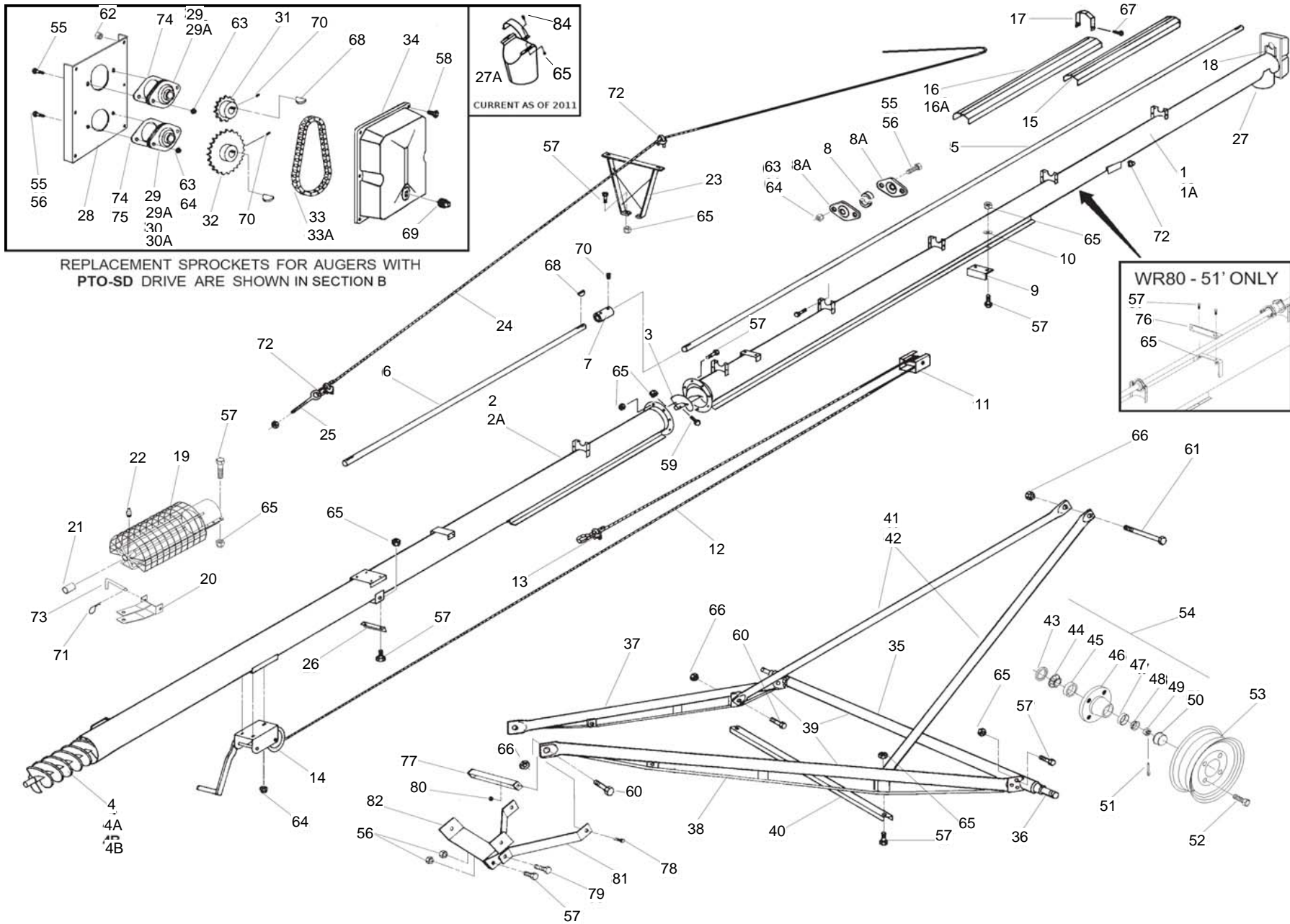
REPLACEMENT SPROCKETS FOR AUGERS WITH PTO-SD DRIVE ARE SHOWN IN SECTION B

CURRENT AS OF 2011

WR80 - 51' ONLY

WR70 51 BASIC AUGER

ITEM	PART NO.	DESCRIPTION
1	10-18711	Upper tube sect. w/driveshaft, housing
1A	10-18722	Upper tube bundle, as shipped
2	10-17194	Lower tube section
2A	10-17197	Lower tube bundle, as shipped
3	10-19105	Upper flight section
4	10-19115	Lower flight section
4A	10-19084	20" Weld-on crimped intake flight
4B	10-17533	Slip on intake flight (1998 & later)
5	10-18700	Upper driveshaft, 1" x 24' 2" long
6	10-17188	Lower driveshaft, 1" x 9' 2" long
7	10-19119	Driveshaft connector
8	10-18692	1" Split hardwood bearing, (2 halves)
8A	10-18694	1" Bearing flange, single, 2 bolt
9	10-18762	Angle track stop
10	10-17182	Track washer, 7/16"
11	10-18763	Roller track shoe
12	10-19250	1/4" Cable, 47' long
13	10-19147	1/4" Cable clamp
14	10-19152	Winch, 5:1 ratio
15	10-19254	Driveshaft shield, 42" long
16	10-19255	Driveshaft shield, 48" long
16A	10-18829	Driveshaft shield, 60" long
17	10-19256	Shield tie-down strap
18	10-19257	Upper shield attach bracket
19	10-19192	Intake hitch w/shield, bushing
20	10-17123	Clevis, less pin
21	10-19149	1" Bushing
22	10-19222	Press-in grease fitting
23	10-19324	Truss support bracket, low
24	10-18826	5/16" Truss cable, 65' long
25	10-19331	Eye bolt w/nut
26	10-19332	Truss attach angle
27	10-17155	Weld-on spout
28	10-17171	Upper drive housing
29	10-19321	1" Flangette bearing, 2 bolt w/flanges
29A	10-18817	1" Bearing, less flanges
31	10-19131	Upper sprocket, 14 tooth
32	10-19132	Lower sprocket, 25 tooth
33	10-19133	Roller chain w/connector
33A	10-19134	Roller chain connector only
34	10-17157	Housing cover
35	10-19340	Axle w/spindles, nuts, cotter pins
36	10-19263	Spindle, weld-on
37	10-19354	Lower reach tube, left
38	10-19355	Lower reach tube, right
39	10-19367	Lower reach frame bundle, as shipped
40	10-19376	crossmember
41	10-19522	Upper lift tube, left or right, single
42	10-19532	Upper lift bundle, as shipped, ref. #40
43	10-19264	Seal



WR70 51 BASIC AUGER

ITEM	PART NO.	DESCRIPTION
44	10-19265	Large bearing, Timken #LM 67048
45	10-19266	Large cup, Timken #LM 67010
46	10-19267	Hub w/cups
47	10-19268	Small cup, Timken #LM 11910
48	10-19269	Small bearing, Timken #LM 11949
49	10-19270	Slotted nut, 3/4" - 16
50	10-19272	Dust cup
51	10-19271	1/8" x 1-1/2" Cotter pin
52	10-20565	1/2" X 1" WHEEL BOLT (BLACK)
53	10-19261	15" Wheel, 4 bolt
54	10-19467	Hub assembly, complete
55	10-19538	Bolt, 5/16" - 18 x 3/4", grade 2
57	10-19542	Bolt, 7/16" - 14 x 1", grade 5
58	10-19988	Bolt, 1/4" - 20 x 1", grade 2
60	10-19590	Bolt, 5/8" - 11 x 1-1/2", grade 5
61	10-19591	Bolt, 5/8" - 11 x 6-1/2", grade 5
62	10-19594	Washer locknut, 1/4" - 20
63	10-19595	Washer locknut, 5/16" - 18
64	10-19596	Washer locknut, 3/8" - 16
65	10-19598	Locknut, 7/16" - 14
66	10-19600	Locknut, 5/8" - 11
67	10-19274	self-tapping screw, #14 x 5/8
68	10-19224	Woodruff key, 1/4" x 1
69	10-17179	3/8" Plug
70	10-19225	Set screw, 3/8" - 16 x 3/8
72	10-19333	5/16" CABLE CLAMP
73	10-17181	CLEVIS PIN
74	10-17167	Gasket for 1" flangette bearing
83	10-19681	Basic carton
84	10-18698	7/16" x 1-1/4" NC Bolt Gr8 Pltd



P.O. Box 39

Rosenort, Manitoba, R0G 1W0 Canada

Phone: (866) 467-7207 (Canada & USA) or (204) 746-2396

Fax: (866) 768-4852

website: www.grinaugers.com

email: sales@grinaugers.com

© Ag Growth International Inc. 2019

Printed in Canada